

SAVE THIS MANUAL FOR
FUTURE REFERENCE

owner's manual

MODEL NO.
113.170660

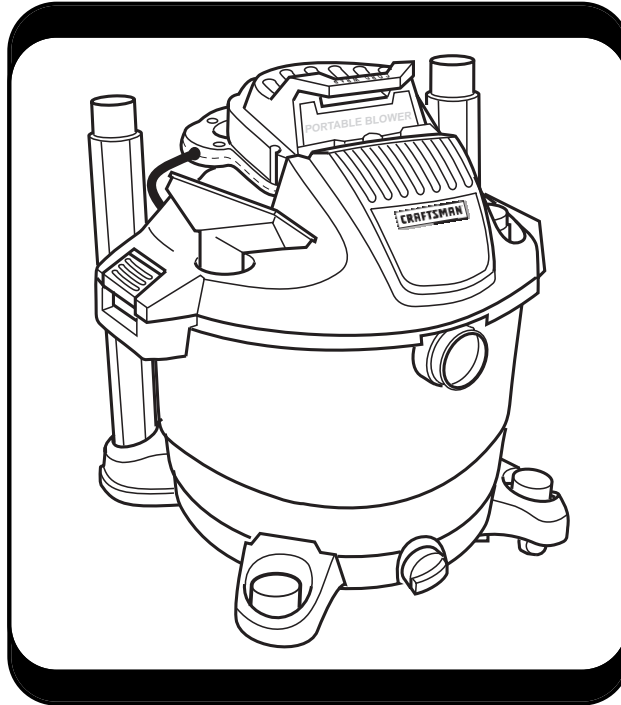
Serial
Number _____

Model and serial num-
bers may be found on
the handle.

You should record
both model and serial
numbers in a safe
place for future use.

FOR YOUR SAFETY

READ ALL
INSTRUCTIONS
CAREFULLY



CRAFTSMAN®

16 Gallon Wet/Dry Vac With Detachable Blower

- safety
- assembly
- operating
- repair parts
- Español - página 19

Sears, Roebuck and Co., Hoffman Estates, IL 60179 U.S.A.

Part No. SP6570

Printed in U.S.A.

FULL ONE YEAR WARRANTY ON CRAFTSMAN WET/DRY VACS

If this Craftsman Wet/Dry Vac fails due to a defect in material or workmanship within one year from the date of purchase, return it to your nearest Sears Store, and it will be replaced or repaired, at Sears option, free of charge.

If this Craftsman Wet/Dry Vac is used for commercial or rental purposes, this warranty applies for only 90 days from the date of purchase.

This warranty applies only while this product is used in the United States.

This warranty gives you specific legal rights, and you may also have other rights which vary from state to state.

Sears, Roebuck and Co., D817 WA, Hoffman Estates, IL. 60179

WARNING: The power cord on this product contains lead, a chemical known in the State of California to cause birth defects or other reproductive harm. *Wash hands after handling.*

IMPORTANT SAFETY INSTRUCTIONS

Safety is a combination of common sense, staying alert and knowing how your vac works. Read this manual to understand the vac.

Safety Signal Words

DANGER: means if the safety information is not followed someone **will** be seriously injured or killed.

WARNING: means if the safety information is not followed someone **could** be seriously injured or killed.

CAUTION: means if the safety information is not followed someone may be injured.

When using your Wet/Dry Vac, follow basic safety precautions including the following.

WARNING - To reduce the risk of fire, electric shock, or injury:

Read and understand this owner's manual and all labels on the Wet/Dry Vac before operating. Use only as described in this manual. To reduce the risk of personal injury or damage to Wet/Dry Vac, use only Craftsman recommended accessories.

Sparks inside the motor can ignite flammable vapors or dust. To reduce the risk of fire or explosion:

- Do not vacuum, or use this Wet/Dry Vac, near flammable or combustible liquids, gases, or explosive dusts, such as gasoline or other fuels, lighter fluid, cleaners, oil-based paints, natural gas, hydrogen, coal dust, magnesium dust, grain dust, or gun powder.
- Do not use Wet/Dry Vac as a sprayer.
- Do not vacuum anything that is burning or smoking, such as cigarettes, matches, or hot ashes.
- Do not vacuum fireplace soot or ash. This is a very fine dust which will not be captured by the filter and may cause damage.
- To reduce the risk of health hazards from vapors or dusts, do not vacuum toxic materials.
- Do not use or store near hazardous materials.
- Do not run Wet/Dry Vac unattended.
- To reduce the risk of electric shock, do not expose to rain. Store indoors.
- Do not allow Wet/Dry Vac to be used as a toy. Close attention is necessary when used by or near children.

- Do not use this Wet/Dry Vac with a torn filter or without the filter installed except when vacuuming liquids as described in the operation section of this manual.
- Do not leave Wet/Dry Vac when plugged in. Unplug from outlet when not in use and before servicing. Turn off Wet/Dry Vac before unplugging.
- To reduce the risk of injury from accidental starting, unplug power cord before changing or cleaning filter.
- Do not unplug by pulling on cord. To unplug, grasp the plug, not the cord.
- Do not use with damaged cord, plug or other parts. If your Wet/Dry Vac is not working as it should, has missing parts, has been dropped, damaged, left outdoors, or dropped into water, return it to a Sears Service Center.
- Do not pull or carry by cord, use cord as handle, close a door on cord, or pull cord around sharp edges or corners. Do not run Wet/Dry Vac over cord. Keep cord away from heated surfaces.
- Do not handle plug or the Wet/Dry Vac with wet hands.
- Do not put any object into ventilation openings. Do not vacuum with any ventilation openings blocked; keep free of dust, lint, hair or anything that may reduce air flow.
- Keep hair, loose clothing, fingers, and all parts of body away from openings and moving parts.
- To reduce the risk of falls, use extra care when cleaning on stairs.

This Wet/Dry Vac is double-insulated, eliminating the need for a separate grounding system. Use only identical replacement parts. Read the instructions for Servicing Double-Insulated Wet/Dry Vacs before servicing.

When using as detached blower:

- Turn unit off before setting on ground or releasing grasp from handle.
- Do not use on wet surfaces, electric shock could occur.
- Direct air discharge only at work area.
- Do not direct air at bystanders.
- Keep children away when blowing.
- Do not use blower for any job except blowing dirt and debris.

Observe the following warnings that appear on the motor housing of your Wet/Dry Vac.



DOUBLE INSULATED — GROUND NOT REQUIRED.
WHEN SERVICING USE ONLY IDENTICAL REPLACEMENT PARTS.

WARNING: To reduce the risk of electric shock - do not expose to rain - store indoors.

WARNING: For your own safety, read and understand owner's manual. Do not run vac unattended. Do not pick up hot ashes, coals, toxic, flammable or other hazardous materials. Do not use around explosive liquids or vapors.

SAVE THESE INSTRUCTIONS

The operation of any utility vac or blower can result in foreign objects being blown into the eyes, which can result in severe eye damage. Always wear safety goggles complying with ANSI Z87.1 (or in Canada CSA Z94.3) before starting operation. Everyday eyeglasses have only impact resistant lenses. They are not safety glasses. Safety Goggles are available at Sears retail stores. Glasses or goggles not in compliance with ANSI or CSA could seriously hurt you when they break. To reduce the risk of hearing damage,



wear ear protectors when using the vac for extended hours or when using it in a noisy area.

For dusty operations, wear dust mask.

Use only extension cords that are rated for outdoor use. Extension cords in poor condition or that are too small in wire size can pose fire and shock hazards. When using an extension cord, be sure it is in good condition. Using any extension cord will cause some loss of power. To keep the loss to a minimum, use the following table to choose the minimum wire size extension cord.

Extension Cord Length	Gauge A.W.G.
0-50 Ft.	14
50-100 Ft.	12

Introduction

This Wet/Dry Vac is intended for household use only.

IMPORTANT NOTE Please Read Carefully

Static Shocks Are Common - In dry areas or when the relative humidity of the air is low. To reduce the frequency of static shocks in your home the best remedy is to add moisture to the air with a humidifier.

Owner's Manual Contents

Item	Page
Warranty Information	2
Safety Instructions	2
Introduction	4
Unpacking and Checking	
Carton Contents	4
Assembly	5
Operation	9
Maintenance	12
Repair Parts	16

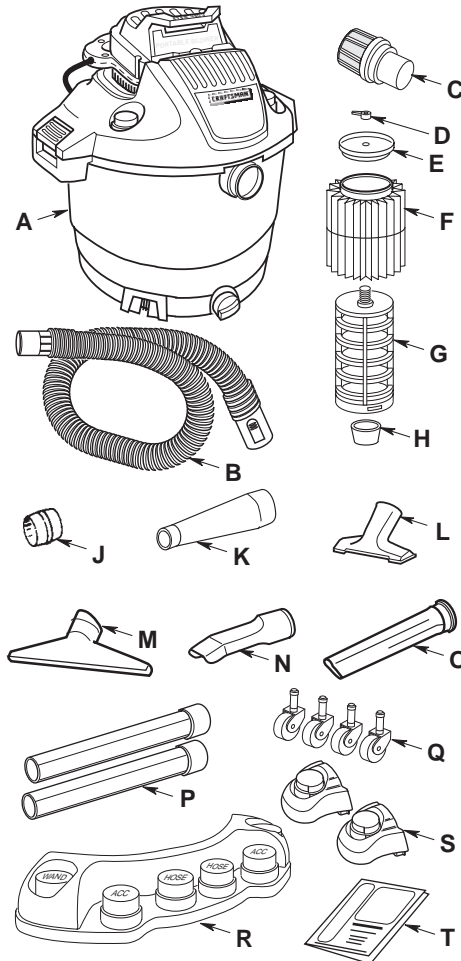
Unpacking and Checking Carton Contents

Remove entire contents of carton. Check each item against the Carton Contents List. Some units may include accessories not shown. Notify your Sears Store immediately if any parts are damaged or missing.

Carton Contents List

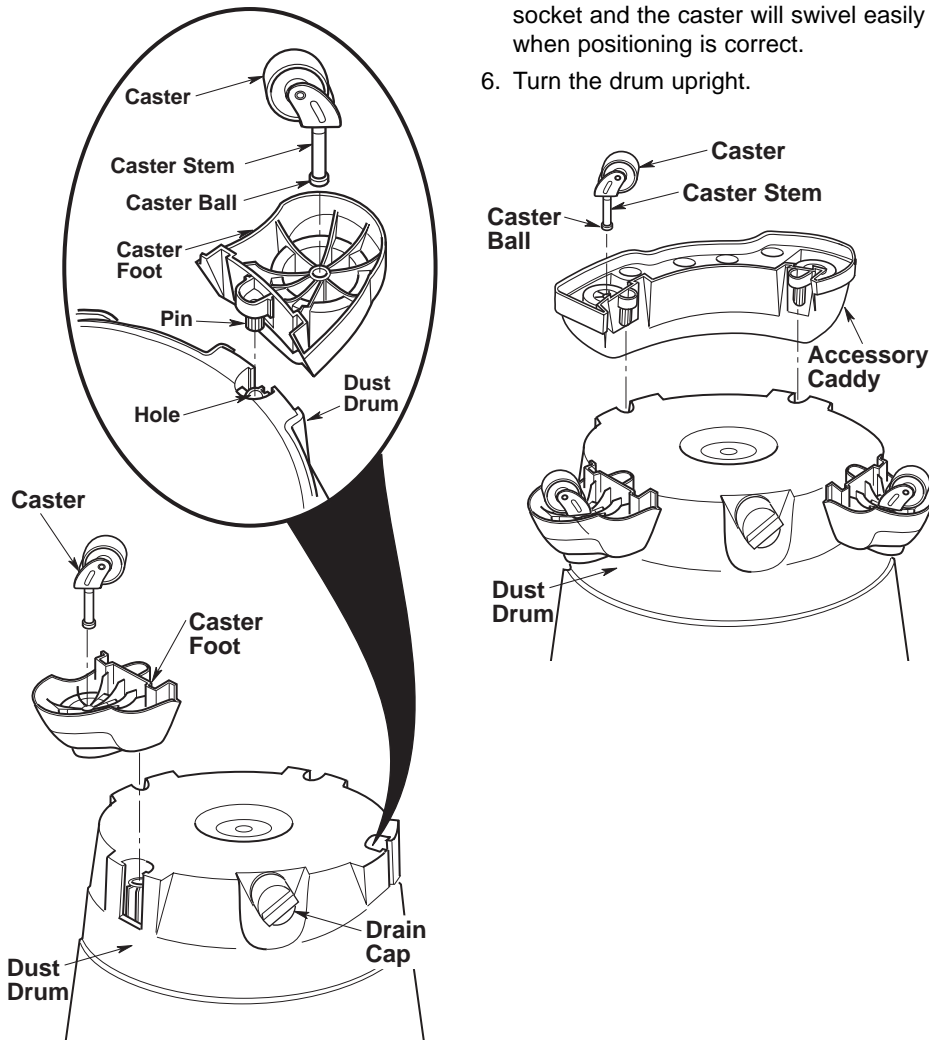
Key	Description	Qty.
A	16 Gallon Wet/Dry Vac	1
B	Hose	1
C	Diffuser	1
D*	Filter Nut	1
E*	Filter Plate	1
F*	Filter (Red Stripe)	1
G*	Filter Cage	1
H*	Float	1
J	Male-to-Male Adapter	1
K	Blower Nozzle	1
L	Utility Nozzle	1
M	Wet Nozzle	1
N	Car Nozzle	1
O	Crevice Tool	1
P	Extension Wands	2
Q	Single Wheel Caster	4
R	Accessory Caddy	1
S	Caster Feet	2
T	Owner's Manual	1

*These items may come preassembled. If they are not present in the carton, check under the lid to see if they are preassembled.



Accessory Caddy/Caster Foot/Caster Assembly —

1. Remove the power head and lid assembly from the dust drum and set aside.
2. Turn the dust drum upside down on the floor.
3. Insert the 2 caster feet into the bottom of the drum, as shown, on the 2 locations near the drain cap. Push on the caster foot until the foot is flush with bottom of the dust drum.
4. Insert the accessory caddy into the bottom of drum, as shown, on the opposite side of the drain cap. Push on the accessory caddy until it is flush with bottom of the dust drum.
5. Insert the caster stem into the socket of the accessory caddy and caster feet, as shown (4 places). Push on the caster until the ball on the caster stem is inserted all the way into the socket. You will hear the ball snap into the socket and the caster will swivel easily when positioning is correct.
6. Turn the drum upright.



Float/Cage Assembly

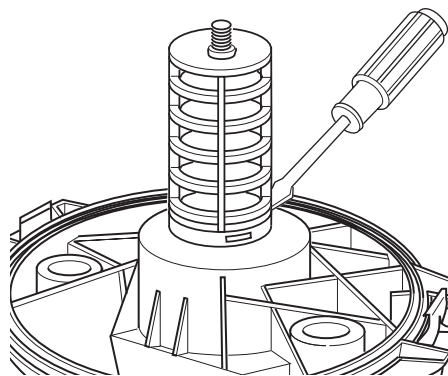
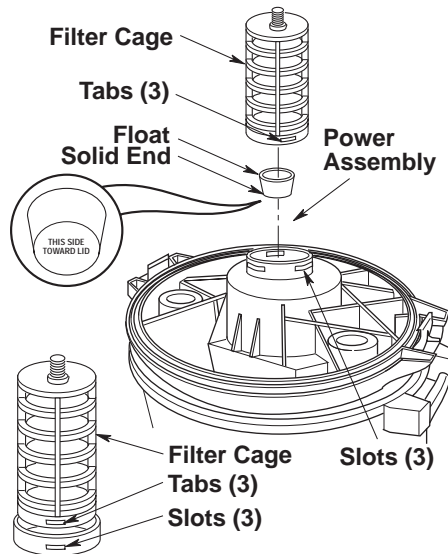
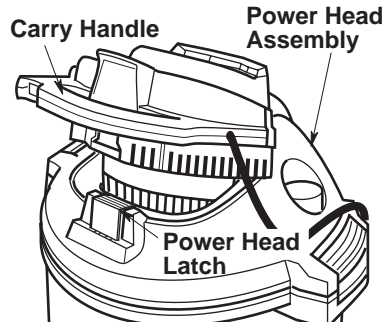
WARNING: For your own safety, never connect plug to power source outlet until all assembly steps are complete and you have read and understood the safety and operation instructions. Do not operate vac with any parts damaged or missing.

1. Remove the detachable blower from the power head assembly by pressing down on the power head latch beneath the carry handle of the detachable blower. Set the detachable blower off to the side. Place lid upside down on the drum.
2. Locate the float and filter cage.
3. Place the float over the opening in the center of the lid with the words "This Side Towards Lid" laying face down over the hole. (See illustration.)

WARNING: To avoid personal injury or damage to vac be sure to keep hands, fingers, or any other foreign objects out of the center opening when assembling the float .

4. Line up filter cage tabs, as shown, with the slots in the center ring of the lid assembly. Push on the filter cage until the tabs snap into slots for a secure fit.

NOTE: If filter cage needs to be removed, or replaced, because the float is placed in the wrong way, use a flat blade screwdriver and insert the blade near one of the tabs between the filter cage and the center ring of the lid. Pry the tab out of the slot. Tilt the cage and lift away from the lid. To replace, follow Float/Cage Assembly instructions.



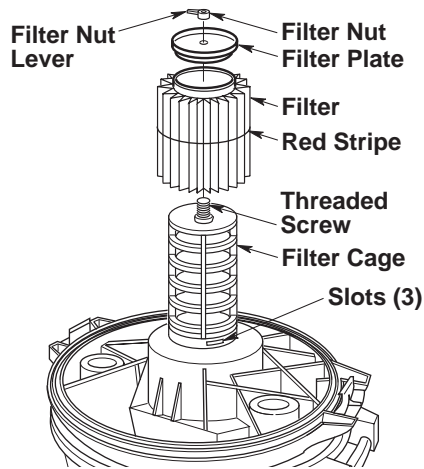
Filter Assembly

1. Carefully slide the filter over the filter cage, sliding it over the center ring covering the 3 slots until the filter stops against the lid.
2. Place the hole in the filter plate over threaded stud of the filter cage.
3. Gently push on the filter plate to seat the rubber ring of the filter inside the circular channel of the filter plate.
4. Place filter nut onto threaded stud and tighten it down. Finger tighten only.

NOTE: Lever of filter nut should be away from plate as shown.

IMPORTANT: Do not overtighten as this may deform or crack the filter plate, filter cage, or filter.

NOTE: Your filter has a red stripe that matches an in-store displayer. When you visit your local Sears store, just remember the color of your stripe for the correct size filter.

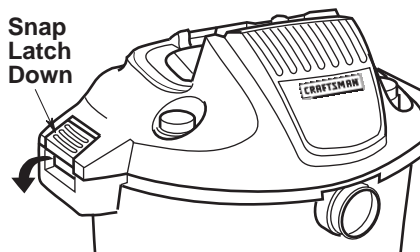
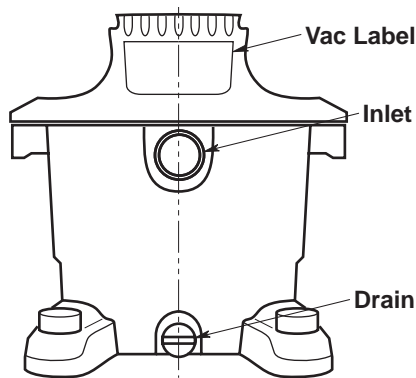


Vac Assembly

1. Locate the lid assembly and the drum/caddy assemblies (assembled earlier).
2. Position the lid assembly with the inlet of the unit located in line with the drain cap and the vac label on the vac.

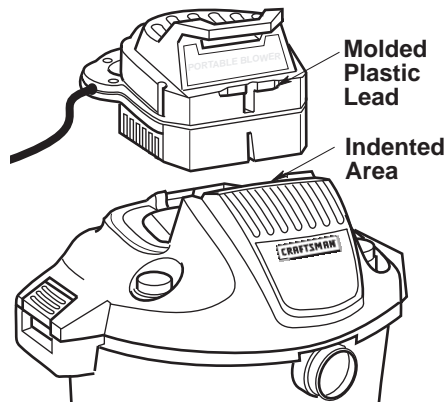
Allow the assembly to rest on the vac drum.

3. Rotate both latches down until you hear the latches snap over the lip of the drum.



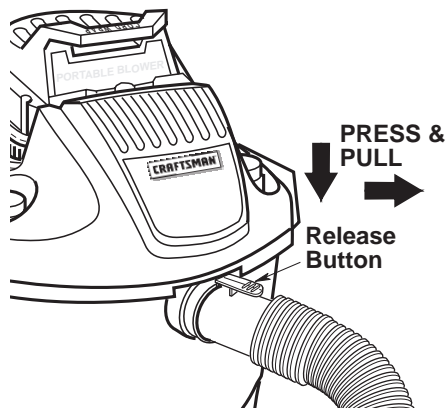
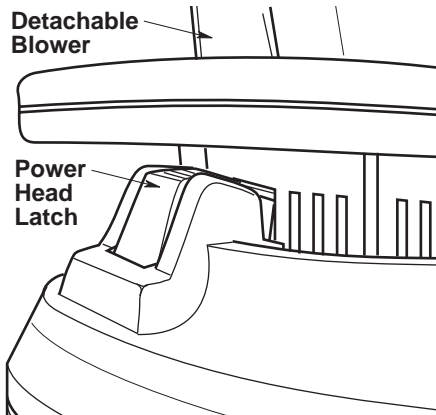
Positioning Detachable Blower (Power Head Assembly)

1. Locate the detachable blower of your Craftsman Wet/Dry Vac.
2. On top of the blower (opposite the handle side of the blower); there is molded plastic lead that is used to assist assembling the unit. Position the lead into the indented area above the label.
3. Rotate the detachable blower down until the travel of the unit stops.
4. Lightly press down on the carry handle of the detachable blower until the power head latch engages the blower. The detachable blower is now latched to the lid assembly.



Insert Hose

Insert the hose locking end of the "Pos-I-Lock" hose into the inlet of the vac. The hose should snap into place. To remove the hose from the vac, press the release button in the hose assembly and pull the hose out of the vac inlet, as shown. Your new Wet/Dry Vac is ready for use.



Operation

WARNING

To reduce the risk of fire or explosion, do not operate this vac in areas with flammable gases, vapors or explosive dust in the air. Flammable gases or vapors include but are not limited to; lighter fluid, solvent type cleaners, oil-base paints, gasoline, alcohol or aerosol sprays. Explosive dusts include but are not limited to; coal, magnesium, grain or gun powder. Do not vacuum explosive dust, flammable or combustible liquids or hot ashes. Do not use this vac as a sprayer. To reduce the risk of health hazards from vapors or dusts, do not vacuum toxic materials.

CAUTION: To reduce risk of hearing damage, wear ear protectors when using the vac for extended hours or when using it in a noisy area. The operation of any utility vac can result in foreign objects being blown into the eyes, which can result in severe eye damage. Always wear safety goggles complying with ANSI Z87.1 (or in Canada, CSA Z94.3) before starting operation. Safety Goggles are available at many local retail stores.

NOTE: When using the unit in the vacuuming mode, always insert the air diffuser in the exhaust port on the detachable blower. This breaks up the direct flow of air and diffuses it.

Vacuuming Dry Materials

1. The filter must always be in correct position to reduce the risk of leaks and possible damage to the vac.
2. When using your vac to pick up very fine dust, it will be necessary for you to empty the vac canister and clean the filter at more frequent intervals to maintain peak vac performance.

NOTE: A dry filter is necessary to pick up dry material. If you use your vac to pick up dust when the filter is wet, the filter will clog quickly and be very difficult to clean.

3. If your filter is wet but you need to use the vac to pick up dry material, you can quickly dry the filter by running the vac without hose attached for about 10 minutes. The clean air rushing through the vac will help dry the filter.

The optional HEPA Rated Media Filter, stock number 9-17912 will do a better job stopping very fine particles than the 9-17816 filter. This filter material is 99.97% efficient down to .3 microns.

Vacuuming Liquids

1. When picking up small amounts of liquid the filter may be left in place.
2. When picking up large amounts of liquid we recommend that the filter be removed. If the filter is not removed, it will become saturated and misting may appear in the exhaust.

To reduce the risk of electric shock, this appliance has a polarized plug (one blade is wider than the other). This plug will fit in a polarized outlet only one way. If the plug does not fit fully in the outlet, reverse the plug. If it still does not fit, contact a qualified electrician to install the proper outlet. Do not change the plug in any way.

After you plug the power cord into the outlet, turn the unit on by pushing the switch from position "O" to position "I". The symbols used on the switch actuator are international "On & Off" symbols. "O" is the symbol for "OFF" and "I" is the symbol for "ON".

 = OFF | = ON

Operation (continued)

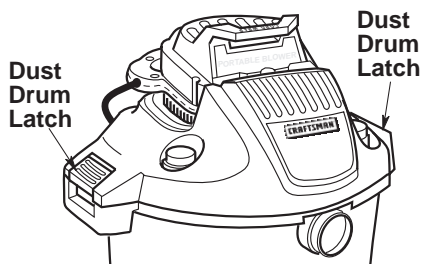
3. After using the vac to pick up liquids, the filter must be dried to reduce the risk of possible mildew and damage to the filter.
4. When the liquid in the drum reaches a predetermined level, the float mechanism will rise automatically to cut off airflow. When this happens, turn off the vac, unplug the power cord, and empty the drum. You will know that the float has risen because vac airflow ceases and the motor noise will become higher in pitch, due to increased motor speed.

IMPORTANT: To reduce the risk of damage to the vac do not run motor with float in raised position.

Emptying the Dust Drum

WARNING: To reduce the risk of injury from accidental starting, unplug power cord before emptying the drum.

1. To remove the lid to empty contents of the dust drum, simply lift the two drum latches at the front and rear of the dust drum. Lift the lid assembly up and off the dust drum and set to the side.



NOTE: Do not pick up the lid assembly by lifting on the handle to the detachable blower. Lift the lid assembly by the latches. This will ensure that the detachable blower and the lid will not separate during removal of the lid assembly.

2. Lay vac motor assembly upside down on a clean area while emptying vac canister.

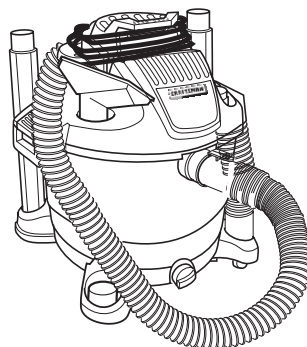
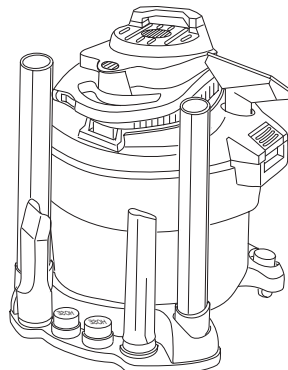
3. Dump the vac canister contents into the proper waste disposal container.

WARNING: To reduce the risk of back injury or falls, do not lift a vac heavy with liquid or debris. Scoop or drain enough contents out to make the vac light enough to lift comfortably.

To Store Your Accessories

Your Craftsman Wet/Dry Vac caddy is designed to provide better stability and accessory storage. There are six storage locations at the rear of the vac caddy, two storage locations on caster feet and two storage locations on the vac lid. Conveniently store accessory nozzles and extension wands on the rear of the caddy and use the front storage for hose storage and/or male-to-male and air diffuser storage.

Craftsman recommended accessories are available at Sears retail stores.

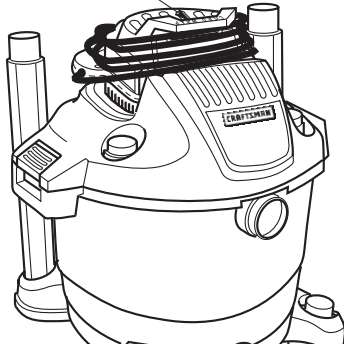


Operation (continued)

Cord Wrap

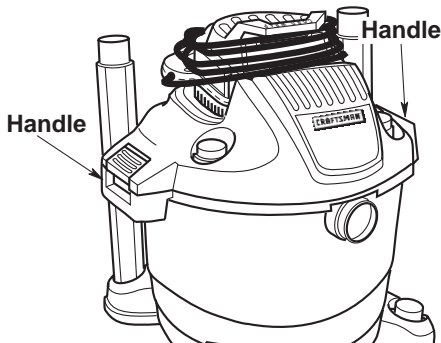
When vacuuming is complete, unplug the cord and wrap it around the cord wrap ears on top of vac.

Cord Wrap Area



Moving the Vac

Should it become necessary to pick the vac up to move it, the handle on the sides of the dust drum are used to lift. To maneuver the vac, the push/pull handle in the rear of the unit should be used.



Blowing Feature

Your wet/dry vac has a “detachable blower”. It has the capability to be used as a dedicated blower for yard work, patio cleanup and workshop applications to blow sawdust and other debris.

WARNING: Always wear safety goggles complying with ANSI Z87.1 (or in Canada CSA Z94.3) before using as a blower.

WARNING: To reduce the risk of injury to bystanders, keep them clear of blowing debris.

CAUTION: To reduce the risk of hearing damage, wear ear protectors when using the vac/blower for extended hours or when using it in a noisy area.

WARNING: Wear a dust mask if blowing creates dust which might be inhaled.

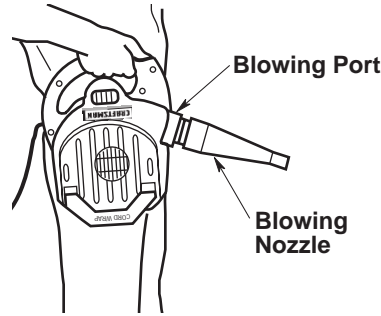
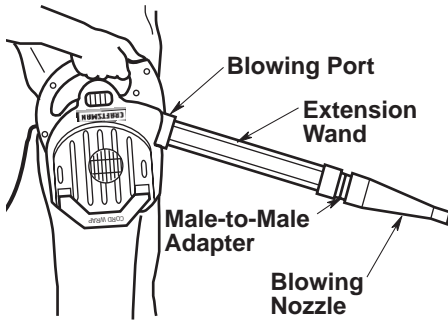
1. Familiarize yourself with the detachable blower portion of your wet/dry vac.
2. Remove the detachable blower of your vac by pressing down on the latch under the handle of the detachable blower. This latch holds the detachable blower to the lid assembly.
3. Lift the detachable blower up by raising the handle upward and pulling the unit away from the nested position of the hinges.

Assemble the Detachable Blower for “Blowing”

This may be assembled two ways.

1. Insert the small end of one of the extension wands into the blowing port of the detachable blower. Insert the male-to-male adapter into the extension wand and install the blower nozzle onto the male-to-male adapter.
- OR —
2. Insert the male-to-male adapter into the blowing port of the detachable blower. Connect the large end of the extension wand to the male-to-male adapter. Connect the blower nozzle to the extension wand.
 3. Turn the blower “ON” by toggling the switch in the handle of the blower to the “ON” position.

Operation (continued)

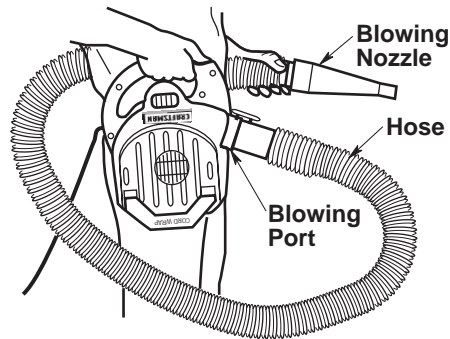


The wet/dry vac may also be used for blowing using the seven foot hose supplied with the wet/dry vac.

Install the male-to-male adapter in the blowing port of the wet/dry vac.

Assemble the hose to the blowing port and connect the blower nozzle to the opposite end of the hose.

The unit is ready for blowing applications.



Maintenance

Blower Intake

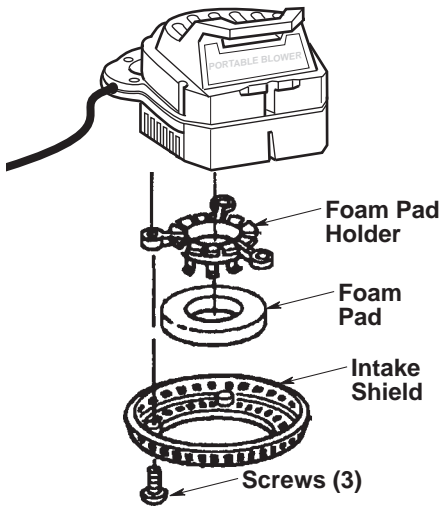
WARNING: To reduce the risk of injury, unplug unit before cleaning foam pad. Before using, intake shield, pad holder, and pad must be in place.

After using the detachable blower of your wet/dry vac, examine the bottom of the blower for dust and debris. Check to see if the intake to the blower has debris stuck to the plastic vents and foam pad.

To clean the foam pad under the intake shield of the detachable blower:

1. Remove the three screws holding the intake shield.
2. Lift the intake shield off and set aside.
3. Lift the foam pad away from the detached blower, the foam pad holder will also lift away from the blower.
4. Remove the foam pad from the foam pad holder and set the foam pad holder to the side. Clean the foam pad in warm soapy water or brush debris away. Allow foam pad to dry.
5. Examine foam pad for reuse. If you need to replace it, check the service part section of this manual.

Maintenance continued)



6. Replace foam pad holder on blower with the tabs away from the blower. Reinstall foam pad under the tabs of the holder.
7. Reinstall intake shield and the three screws.

The unit is ready for use.

Cleaning Vac Filter

WARNING: To reduce the risk of injury from accidental starting, unplug power cord before changing or cleaning filter.

Your filter should be cleaned often to maintain peak vac performance.

Be sure to dry the filter before storing or picking up dry debris.

IMPORTANT: After cleaning, check the filter for tears or small holes. Do not use a filter with holes or tears in it. Even a small hole can cause a lot of dust to come out of your vac. Replace it immediately.

NOTE: This filter is made of high quality paper designed to stop very small particles of dust. The filter can be used for small amounts of liquid pick up or dry pick up. Handle the filter carefully when removing to clean or installing it. Creases in the filter pleats may occur from installation but creases will not affect the performance of the filter.

Filter Removal

To remove the filter for cleaning or replacement, unscrew the filter nut from the filter cage, remove filter plate and lift off filter.

IMPORTANT: To reduce the risk of damage to the blower wheel and motor, always reinstall the filter before using the vac for dry material pickup.

CAUTION: Do not remove the filter cage or float. It is there to shut off airflow when the drum is full of liquids.

Cleaning A Dry Filter

1. Light cleaning of some dry debris can be accomplished without removing the filter from the vac. Simply slap your hand on top of the lid while the vac is turned off.
2. For best cleaning results due to accumulated dust, clean the filter in an open area. Cleaning **SHOULD** be done outdoors and not in the living quarters.
3. After filter removal from vac, remove the dry debris by gently tapping the filter against the inside wall of your dust drum. The debris will loosen and fall.
4. For thorough cleaning of dry filter with fine dust (no debris), run water through it as described under "Cleaning A Wet Filter".

Cleaning A Wet Filter

After filter is removed, run water through the filter from a hose or spigot. Take care that the water pressure from the hose is not strong enough to damage the filter. Remember: To dry a filter quickly, reinstall the filter on the vac and allow the unit to run for approximately 10 minutes. The clean air rushing through the filter will dry it.

Installation

Refer to "Filter Assembly" Section of this manual.

Allow the filter to dry before storing the vac.

Maintenance continued)

Wet Nozzle

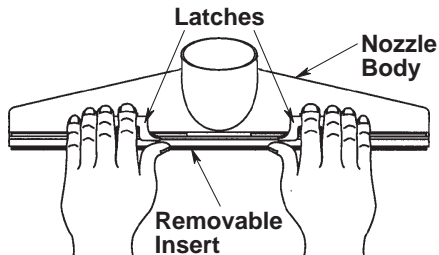
To pick up liquids off a smooth surface, use the 2-1/2 inch wet nozzle accessory supplied with your wet/dry vac. To use this nozzle, simply attach the nozzle to the end of an extension wand.

Connect a second extension wand to the first, and connect the 2-1/2 inch x 7 foot hose to the extension wand.

Liquids may be picked up by dragging the nozzle across the surface. The squeegee will dry the surface as you vacuum.

Replacement rubber for the squeegee nozzle may be obtained through Sears Parts. If the rubber becomes worn, it may be flipped over for use on the opposite side or replaced. (Replacement service part #822256). To reverse or replace the squeegee:

1. Lay the wet nozzle on a flat surface with the round inlet opening facing up and the two latches close to you as shown.

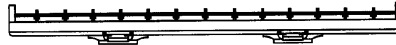


2. Using both hands, position each thumb on the removable insert, (below the latches) and two fingers of each hand on each latch, lift and disengage the two latches from the tabs on the nozzle body.
3. Gently pull the latches toward yourself to remove the insert.

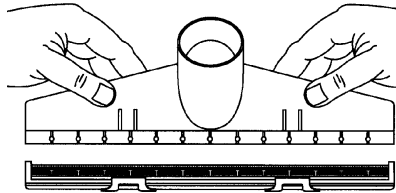
To reinstall the removable insert correctly, follow these steps:

1. Place the removable insert on a flat surface with the pins positioned upward and the latches close to you as shown. Place the rubber squeegee on the insert, with the pins fitting through the matching holes in the

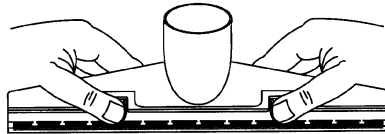
squeegee. (Make sure the new working edge is located farthest from you.)



2. Using both hands, lower the nozzle body onto the insert and squeegee with the round opening of the nozzle closest to you. With fingers on the far side and thumbs holding the latches of the removable insert, flip the nozzle over so the latches are on the top and the round inlet opening is facing away from you. Make sure the squeegee stays on the insert pins.

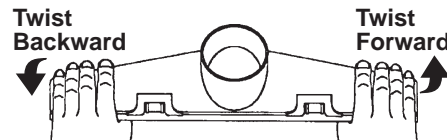


3. Press down with each thumb below the latching tabs until you see and hear the removable insert snap into the nozzle body. Snap the latches over the locking tabs into their original position.



4. Inspect the pins of the insert to make sure they fit through the holes of the squeegee and fit into the matching slots in the nozzle body.

NOTE: If the pins are out of position, hold the nozzle assembly with both hands and gently twist in opposite directions. The insert pins should snap into proper position.



The wet nozzle assembly is ready for wet pickup use.

Maintenance continued)

Cleaning and Disinfecting the Wet/Dry Vac

To keep your Wet/Dry Vac looking its best, clean the outside with a cloth dampened with warm water and mild soap.

To clean the drum:

1. Dump debris out.
2. Wash drum thoroughly with warm water and mild soap.
3. Wipe out with dry cloth.

Before prolonged storage or as needed (i.e., waste water pick up) the drum should be disinfected.

To disinfect the drum:

1. Pour 1 gallon of water and 1 teaspoon chlorine bleach into the drum.
2. Let solution stand for 20 minutes, carefully swishing every few minutes, making sure to wet all inside surfaces of the drum.
3. Empty drum after 20 minutes. Rinse with water until bleach smell is gone. Allow drum to dry completely before sealing the motor on the drum.

Casters

If your casters are noisy, you may put a drop of oil on the roller shaft to make them quieter.

WARNING: To assure product SAFETY and RELIABILITY, repairs and adjustments should be performed by Sears Service Centers, always using Sears replacement parts.


Repair Parts

16 Gallon Wet/Dry Vac With Detachable Blower Model Number 113.170660

Always order by Part Number - Not by Key Number

WARNING

SERVICING OF DOUBLE-INSULATED WET/DRY VAC

In a double-insulated Wet/Dry Vac, two systems of insulation are provided instead of grounding. No grounding means is provided on a double-insulated appliance, nor should a means for grounding be added. Servicing a double-insulated Wet/Dry Vac requires extreme care and knowledge of the system, and should be done only by qualified service personnel. Replacement parts for a double-insulated Wet/Dry Vac must be identical to the parts they replace. Your double-insulated Wet/Dry Vac is marked with the words "DOUBLE INSULATED" and the symbol  (square within a square) may also be marked on the appliance.

To reduce the risk of injury from electrical shock, unplug power cord before servicing the electrical parts of the Wet/Dry Vac.

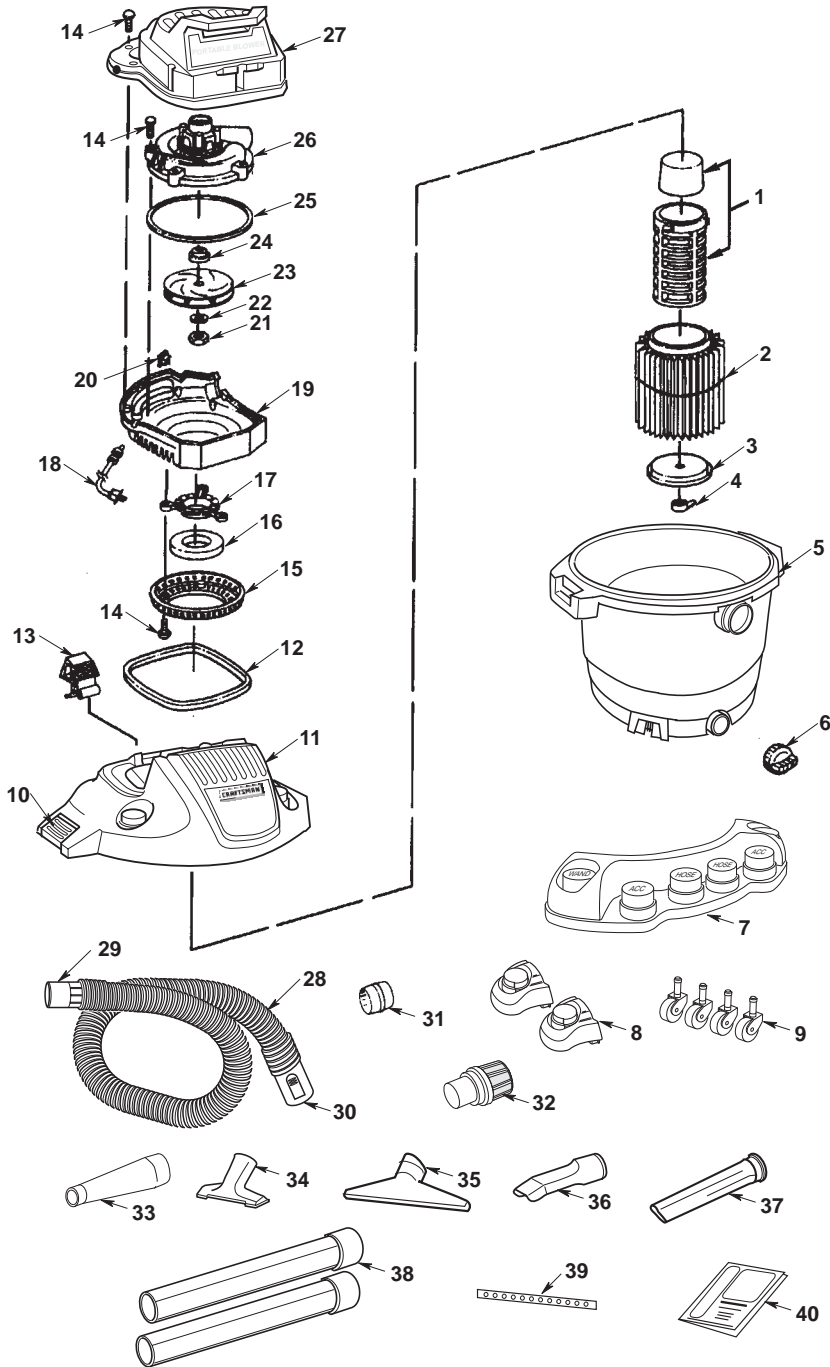
Key No.	Part No.	Description	Key No.	Part No.	Description
1	509238	Cage Filter/Float	22	315534-1	Washer
2	9-17816	† Filter (Red Stripe)	23	818413	Blower Wheel
3	9-16937	† Filter Plate	24	818961	Spacer
4	9-16938	† Filter Nut	25	822459-1	Collector Gasket
5	830478	Drum (Includes Key No. 6)	26	830240	Motor (Includes Key Nos. 22 - 25)
6	73185	Drain Cap	27	831012	Motor Cover
7	830712	Accessory Caddy	28	826356-5	Hose 2-1/2 inches x 7 feet (Includes Key Nos. 30-31)
8	828460	Caster Feet	29	815096	Hose Adapter
9	29776	Single Wheel Caster	30	829900	Hose Adapter
10	830711	Drum Latch	31	822482	Male-to-Male Adapter
11	509865	Lid (Includes Key Nos. 11 & 14)	32	830098	Diffuser
12	822442-1	Gasket Lid	33	9-16933	Blower Nozzle
13	826388	Power Head Latch	34	9-16922	Utility Nozzle
14	820563-7	Screw Pan Head Type AB #10 x 3/4	35	9-17817	Wet Nozzle
15	826383-5	Intake Shield	36	9-16978	Car Nozzle
16	826411	Foam Pad	37	9-16902	Crevice Tool
17	826389	Foam Pad Holder	38	9-16964	Extension Wands
18	829718-12	Cord w/Plug	39	822256	Squeegee
19	826403-3	Detachable Lid (Includes Key Nos. 15, 16, 17, & 18)	40	SP6570	Owner's Manual
20	823871	Rocker Switch			
21	826817	Nut-Hex Flange 5/16-18			

† Stock Item - May Be Secured Through The Hardware Department Of Most Sears Retail Stores

* Standard Hardware Item - May Be Purchased Locally

Repair Parts

16 Gallon Wet/Dry Vac With Detachable Blower Model Number 113.170660



Notes

GUARDE ESTE MANUAL
PARA REFERENCIA FUTURA

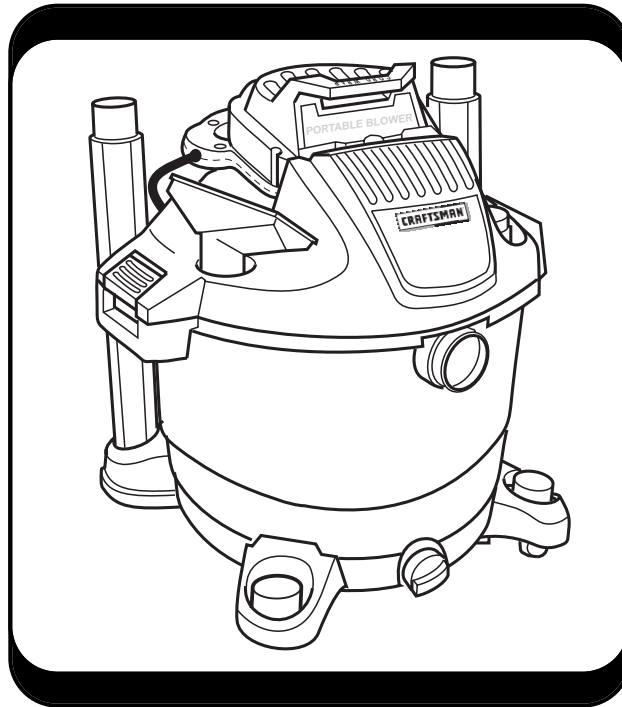
manual del usuario

NO. DE MODELO
113.170660

Número
de serie _____

Los números de modelo
y de serie se pueden
encontrar en el asa.
Usted debe anotar los
números tanto de modelo
como de serie en un lugar
seguro para uso futuro.

**PARA SU
SEGURIDAD**
LEA DETENIDAMENTE
TODAS LAS
INSTRUCCIONES



CRAFTSMAN®

Aspiradora para mojado/seco de 16 galones con soplador desmontable

- seguridad
- ensamblaje
- funcionamiento
- piezas de repuesto

Sears, Roebuck and Co., Hoffman Estates, IL 60179 U.S.A.

GARANTÍA COMPLETA DE UN AÑO PARA ASPIRADORAS PARA MOJADO/SECO CRAFTSMAN

Si esta aspiradora para mojado/seco Craftsman falla debido a un defecto de material o de fabricación dentro del plazo de un año a partir de la fecha de compra, devuélvala a la tienda Sears más cercana y será reemplazada o reparada, a opción de Sears, sin ningún cargo.

Si esta aspiradora para mojado/seco Craftsman se utiliza para fines comerciales o de alquiler, la cobertura de esta garantía se aplica durante solamente 90 días a partir de la fecha de compra.

Esta garantía se aplica solamente mientras este producto se use en los Estados Unidos.

Esta garantía le confiere a usted derechos legales específicos y es posible que usted tenga también otros derechos que varían de un estado a otro.

Sears, Roebuck and Co., D817 WA, Hoffman Estates, IL 60179

WARNING: The power cord on this product contains lead, a chemical known in the State of California to cause birth defects or other reproductive harm. Wash hands after handling.

INSTRUCCIONES DE SEGURIDAD IMPORTANTES

La seguridad es una combinación de sentido común, permanecer alerta y saber cómo funciona la aspiradora. Lea este manual para entender la aspiradora.

Palabras de señal de seguridad

PELIGRO: significa que si no se sigue la información de seguridad, alguien **resultará** herido gravemente o morirá.

ADVERTENCIA: significa que si no se sigue la información de seguridad, alguien **podría** resultar herido gravemente o morir.

PRECAUCIÓN: significa que si no se sigue la información de seguridad, alguien **podría** resultar herido.

Cuando utilice la aspiradora para mojado/ seco, siga las precauciones básicas de seguridad, incluyendo las siguientes.

ADVERTENCIA – Para reducir el riesgo de incendio, sacudidas eléctricas o lesiones:

Lea y entienda este manual del usuario y todas las etiquetas que están colocadas en la aspiradora para mojado/seco antes de utilizarla. Utilice la aspiradora únicamente de la manera que se describe en este manual. Para reducir el riesgo de lesiones personales o daños a la aspiradora para mojado/ seco, utilice únicamente accesorios Craftsman recomendados.

Las chispas que se producen en el interior del motor pueden encender los vapores inflamables o el polvo. Para reducir el riesgo de incendios o explosión:

- No recoja con la aspiradora de mojado/seco líquidos o gases inflamables o combustibles, o polvos explosivos como gasolina u otros combustibles, líquido encendedor, disolventes para limpiar, pinturas a base de aceite, gas natural, hidrógeno, polvo de carbón, polvo de magnesio, polvo de

granos de cereal o pólvora, ni use la aspiradora cerca de estos materiales.

- No utilice la aspiradora para mojado/seco como un rociador.
- No recoja con la aspiradora nada que esté ardiendo o humeando, como cigarrillos, fósforos o cenizas calientes.
- No recoja con la aspiradora hollín ni cenizas de chimenea, ya que se trata de un polvo muy fino que no es capturado por el filtro y puede causar daños.
- Para reducir el riesgo de que se produzcan peligros para la salud causados por vapores o polvos, no recoja con la aspiradora materiales tóxicos.
- No use ni almacene la aspiradora cerca de materiales peligrosos.
- No tenga en marcha la aspiradora para mojado/seco desatendida.
- Para reducir el riesgo de sacudidas eléctricas, no exponga la aspiradora a la lluvia. Almacénela en interiores.
- No permita que la aspiradora se utilice como juguete. Se necesita prestar máxima atención cuando sea utilizada por niños o cerca de éstos.
- No use esta aspiradora para mojado/seco con un filtro desgarrado o si no tiene el filtro instalado, excepto cuando recoja líquidos de la manera que se describe en la sección de funcionamiento de este manual.
- No abandone la aspiradora para mojado/seco cuando esté enchufada. Desenchúfela del tomacorriente cuando no la esté utilizando y antes de realizar servicio de ajustes y reparaciones. Apague la aspiradora antes de desenchufarla.
- Para reducir el riesgo de lesiones debidas a un arranque accidental, desenchufe el cordón de energía antes de cambiar o limpiar el filtro.

- No desenchufe la aspiradora tirando del cordón. Para desenchufarla, agarre el enchufe y no el cordón.
- No use la aspiradora para mojado/seco con el cordón dañado, el enchufe dañado u otras piezas. Si la aspiradora para mojado/seco no funciona como debe, le faltan piezas, se ha caído, ha sido dañada, se ha dejado a la intemperie o se ha caído al agua, devuélvala a un Centro de Servicio Sears.
- No tire de la aspiradora usando el cordón ni la lleve por el cordón, ni use el cordón como asa, ni cierre una puerta sobre el cordón, ni tire del cordón alrededor de bordes o esquinas afilados. No pase la aspiradora para mojado/seco en marcha sobre el cordón. Mantenga el cordón alejado de las superficies calientes.
- No maneje el enchufe o la aspiradora con las manos mojadas.
- No ponga ningún objeto en las aberturas de ventilación. No recoja nada con la aspiradora cuando cualquiera de las aberturas de ventilación esté bloqueada; manténgalas libres de polvo, pelusa, pelo o cualquier cosa que pueda reducir el flujo de aire.
- Mantenga el pelo, la ropa holgada, los dedos y todas las partes del cuerpo alejados de las aberturas y de las piezas móviles.
- Para reducir el riesgo de caídas, tenga cuidado adicional al limpiar en escaleras.

Esta aspiradora para mojado/seco tiene aislamiento doble, lo cual elimina la necesidad de un sistema independiente de conexión a tierra. Utilice piezas de repuesto idénticas. Lea las instrucciones de servicio de revisión de las aspiradoras para mojado/seco con aislamiento doble antes de realizar dicho servicio.

Cuando la utilice como soplador desmontable:

- Apague la unidad antes de ponerla en el piso o dejar de agarrar el asa.
- No utilice la aspiradora en superficies mojadas, ya que podrían producirse sacudidas eléctricas.
- Dirija la descarga de aire solamente hacia el área de trabajo.
- No dirija el aire hacia las personas que estén presentes.
- Mantenga alejados a los niños durante la operación de soplado.
- No utilice el soplador para trabajos que no sean soplar suciedad y residuos.

Siga las siguientes advertencias que aparecen en la caja del motor de la aspiradora para mojado/seco.



AISLAMIENTO DOBLE. NO SE REQUIERE CONEXION A TIERRA.

CUANDO HAGA SERVICIO DE REVISIÓN DE LA ASPIRADORA, UTILICE ÚNICAMENTE PIEZAS DE REPUESTO IDÉNTICAS.

ADVERTENCIA: Para reducir el riesgo de sacudidas eléctricas, no exponga la aspiradora a la lluvia. Almacénela en interiores.

ADVERTENCIA: Para su propia seguridad, lea y entienda el manual del usuario. No tenga en marcha la aspiradora desatendida. No recoja cenizas calientes, carbón caliente, materiales tóxicos o inflamables u otros materiales peligrosos. No use la aspiradora alrededor de líquidos o vapores explosivos.

GUARDE ESTAS INSTRUCCIONES

La utilización de cualquier aspiradora utilitaria o soplador utilitario puede hacer que se soplen objetos extraños hacia los ojos, lo cual puede causar daños graves en los ojos. Use siempre anteojos de seguridad que cumplan con la norma ANSI Z87.1 (o en Canadá, con la norma CSA Z94.3) antes de comenzar la operación. Las gafas corrientes sólo tienen lentes resistentes a los golpes. No son gafas de seguridad. Se pueden conseguir anteojos de seguridad en todas las tiendas minoristas Sears. Las gafas o los anteojos que no cumplan con la norma ANSI o CSA podrían causarle lesiones graves al romperse.



Para reducir el riesgo de daños a la audición, use protectores de oídos cuando utilice la aspiradora durante muchas horas seguidas o cuando la emplee en un área ruidosa.

Para operaciones que generan polvo, use una máscara antipolvo.

Utilice únicamente cordones de extensión que tengan capacidad nominal para uso a la intemperie. Los cordones de extensión que estén en malas condiciones o cuyo tamaño de alambre sea demasiado pequeño pueden conllevar peligros de incendio y sacudidas eléctricas. Cuando utilice un cordón de extensión, asegúrese de que esté en buenas condiciones. La utilización de cualquier cordón de extensión causará algo de pérdida de potencia. Para mantener la pérdida al mínimo, utilice la tabla que aparece a continuación para seleccionar el cordón de extensión con el tamaño de cable mínimo.

Longitud del cordón de extensión	Calibre del cable A.W.G.
0-50 pies	14
50-100 pies	12

Introducción

Esta aspiradora para mojado/seco está diseñada solamente para uso doméstico.

NOTA IMPORTANTE

Por favor, léala cuidadosamente

Las sacudidas de electricidad estática son comunes en áreas secas o cuando la humedad relativa del aire es baja. Para reducir la frecuencia con que se producen sacudidas de electricidad estática en su hogar, el mejor remedio es añadir humedad al aire con un humidificador.

Contenido del manual del usuario

Artículo	Página
Información de garantía	20
Instrucciones de seguridad	20
Introducción	22
Desempaquetado y comprobación del contenido de la caja de cartón	22
Ensamblaje	23
Funcionamiento	27
Mantenimiento	30
Piezas de repuesto	34

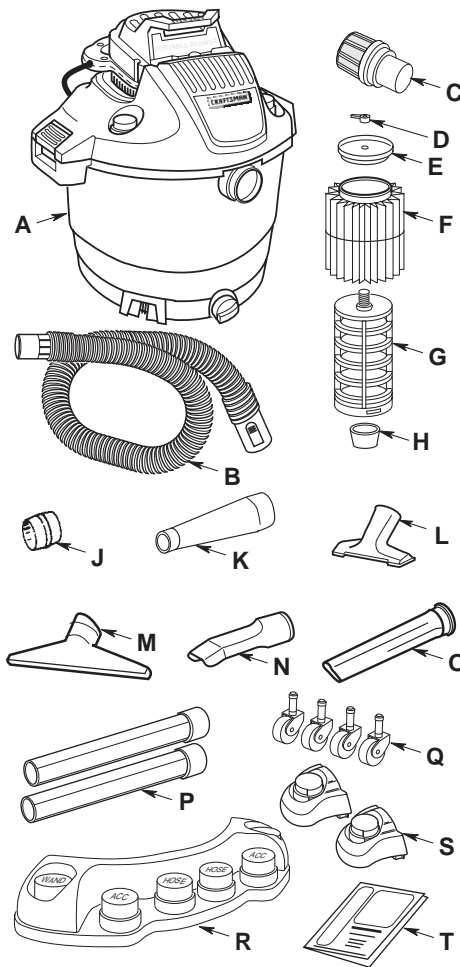
Desempaquetado y comprobación del contenido de la caja de cartón

Saque todo el contenido de la caja de cartón. Asegúrese de que no falte ningún artículo utilizando la lista del contenido de la caja. Algunas unidades pueden incluir accesorios que no se muestran. Notifique inmediatamente a la tienda Sears más cercana si alguna pieza está dañada o falta.

Lista del contenido de la caja de cartón

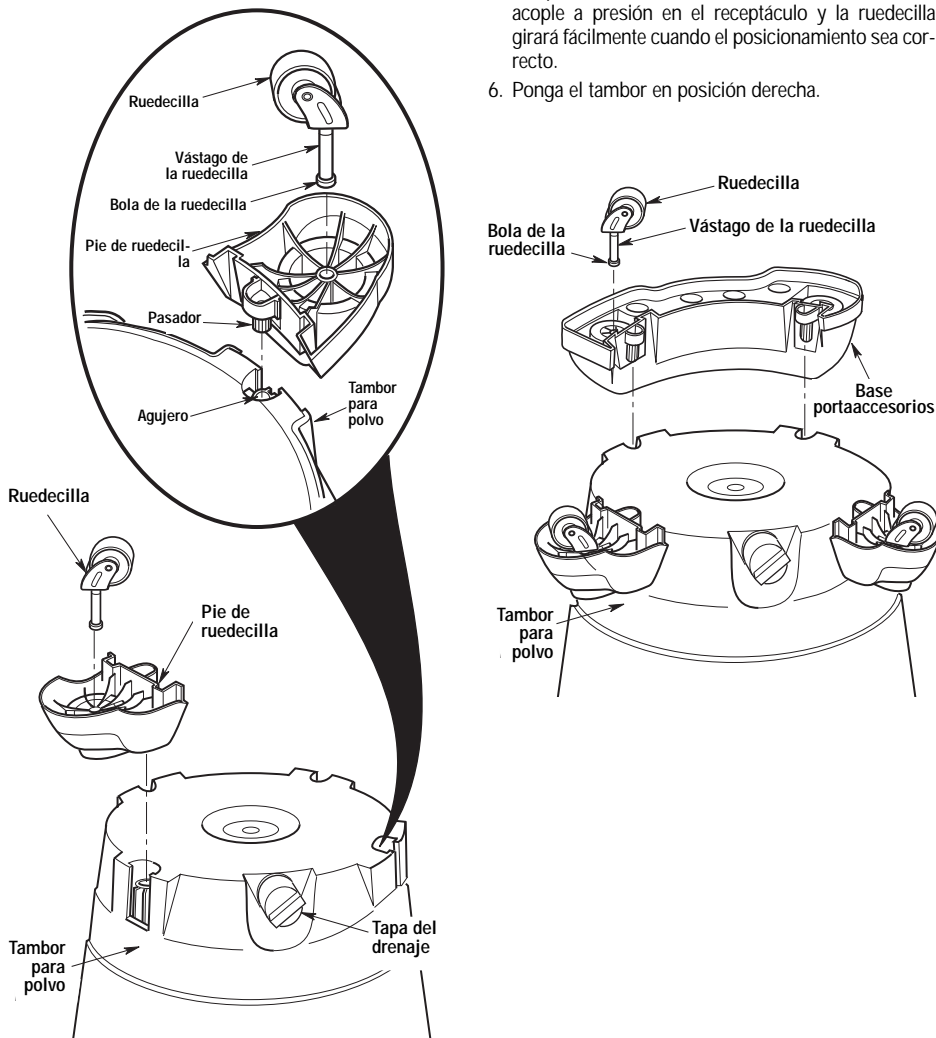
Clave	Descripción	Cant.
A	Aspiradora para mojado/seco de 16 galones	1
B	Manguera	1
C	Difusor	1
D*	Tuerca del filtro	1
E*	Placa del filtro	1
F*	Filtro (raya roja)	1
G*	Jaula del filtro	1
H*	Flotador	1
J	Adaptador macho-macho	1
K	Boquilla sopladora	1
L	Boquilla utilitaria	1
M	Boquilla para mojado	1
N	Boquilla para auto	1
O	Boquilla rinconera	1
P	Tubos extensores	2
Q	Ruedecilla única	4
R	Base portaaccesorios	1
S	Pies de ruedecilla	2
T	Manual del usuario	1

* Estos artículos pueden venir preensamblados. Si no están presentes en la caja de cartón, compruebe debajo de la tapa para ver si están preensamblados.



Ensamblaje de la base de soporte portaaccesorios, los pies de ruedecilla y las ruedecillas

1. Quite del tambor para polvo el ensamblaje del cabezal del motor y la tapa y ponga dicho ensamblaje a un lado.
2. Ponga el tambor para polvo en posición invertida en el piso.
3. Introduzca los dos pies de ruedecilla en la parte inferior del tambor, de la manera que se muestra en la ilustración, en las dos ubicaciones que están cerca de la tapa del drenaje. Empuje sobre cada uno de los pies de ruedecilla hasta que estén al ras con la parte inferior del tambor para polvo.
4. Introduzca la base de soporte portaaccesorios en la parte inferior del tambor, de la manera que se muestra en la ilustración, en el lado opuesto de la tapa del drenaje. Empuje sobre la base de soporte portaaccesorios hasta que esté al ras con la parte inferior del tambor para polvo.
5. Introduzca el vástago de la ruedecilla en el receptáculo de la base de soporte portaaccesorios y el pie de ruedecilla, de la manera que se muestra en la ilustración (cuatro lugares). Empuje sobre la ruedecilla hasta que la bola ubicada en el vástago de la ruedecilla esté introducida completamente en el receptáculo. Usted oírá un sonido cuando la bola se acople a presión en el receptáculo y la ruedecilla girará fácilmente cuando el posicionamiento sea correcto.
6. Ponga el tambor en posición derecha.



Ensamblaje del flotador y la jaula

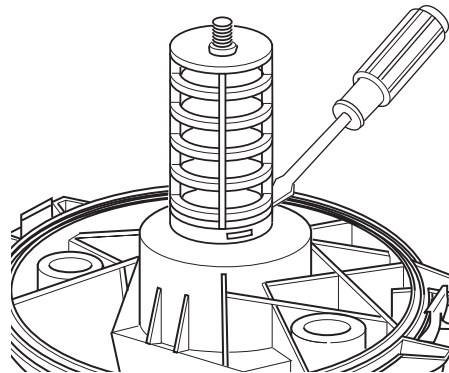
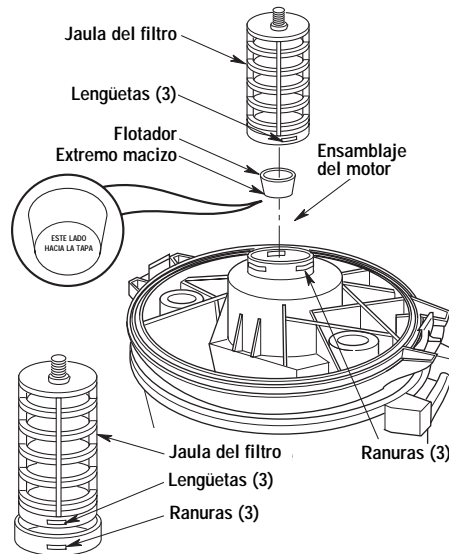
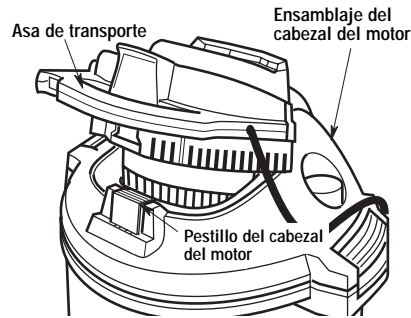
ADVERTENCIA: Para su propia seguridad, no conecte nunca el enchufe a un tomacorriente de la fuente de energía hasta que se hayan completado todos los pasos de ensamblaje y usted haya leído y entendido las instrucciones de seguridad y funcionamiento. No utilice la aspiradora si alguna pieza está dañada o falta.

1. Quite el soplador desmontable del ensamblaje del cabezal del motor, presionando hacia abajo sobre el pestillo del cabezal del motor ubicado debajo del asa de transporte del soplador desmontable. Ponga a un lado el soplador. Coloque la tapa en posición invertida sobre el tambor.
2. Ubique el flotador y la jaula del filtro.
3. Coloque el flotador sobre la abertura ubicada en el centro de la tapa con las palabras "This Side Towards Lid" (Este lado hacia la tapa) orientadas hacia abajo sobre el agujero (vea la ilustración).

ADVERTENCIA: Para evitar lesiones corporales o daños a la aspiradora, asegúrese de mantener las manos, los dedos o cualquier otro objeto extraño fuera de la abertura central cuando ensamble el soplador.

4. Alinee las lengüetas de la jaula del filtro, de la manera que se muestra en la ilustración, con las ranuras ubicadas en el anillo central del ensamblaje de la tapa. Empuje sobre la jaula del filtro hasta que las lengüetas se acoplen a presión en las ranuras para lograr un ajuste seguro.

NOTA: Si es necesario quitar o reemplazar la jaula del filtro debido a que el flotador esté colocado de manera incorrecta, utilice un destornillador de hoja plana e introduzca la hoja cerca de una de las lengüetas entre la jaula del filtro y el anillo central de la tapa. Haga palanca en la lengüeta para sacarla de la ranura. Incline la jaula y levántela hasta separarla de la tapa. Para colocar de nuevo la jaula del filtro, siga las Instrucciones de ensamblaje del flotador y la jaula.



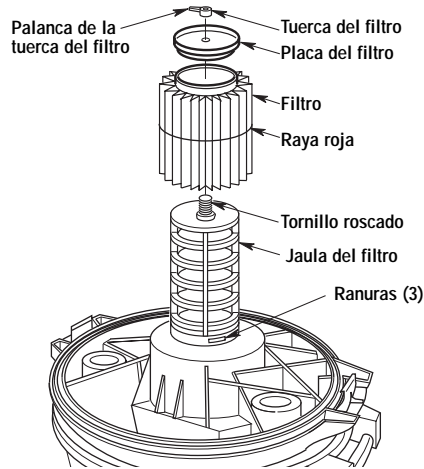
Ensamblaje del filtro

1. Deslice cuidadosamente el filtro sobre la jaula del filtro, deslizándolo sobre el anillo central que cubre las 3 ranuras hasta que el filtro se detenga contra la tapa.
2. Coloque el agujero ubicado en la placa del filtro sobre el espárrago roscado de la jaula del filtro.
3. Empuje suavemente sobre la placa del filtro para asentar el anillo de goma del filtro dentro del canal circular de la placa del filtro.
4. Coloque la tuerca del filtro en el espárrago roscado y apriétela hacia abajo. Apriétela solamente con los dedos.

NOTA: La palanca de la tuerca del filtro debe estar siempre alejada de la placa, de la manera que se muestra en la ilustración.

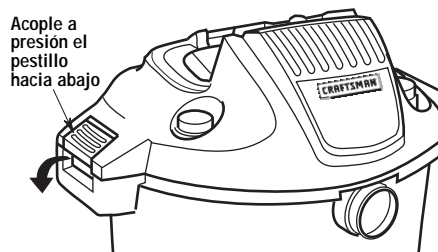
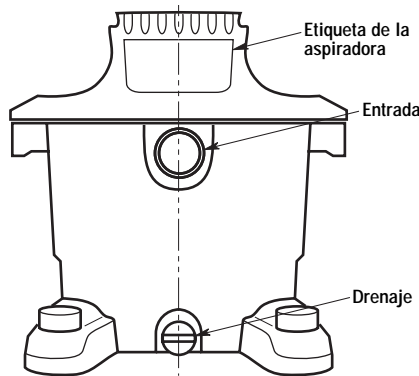
IMPORTANTE: No apriete excesivamente la tuerca, ya que esto podría deformar o agrietar la placa del filtro, la jaula del filtro o el filtro mismo.

NOTA: El filtro tiene una raya roja que coincide con un exhibidor ubicado en el punto de venta de la tienda. Cuando visite una tienda local de Sears, simplemente recuerde el color de la raya de su filtro para obtener el filtro de tamaño correcto.



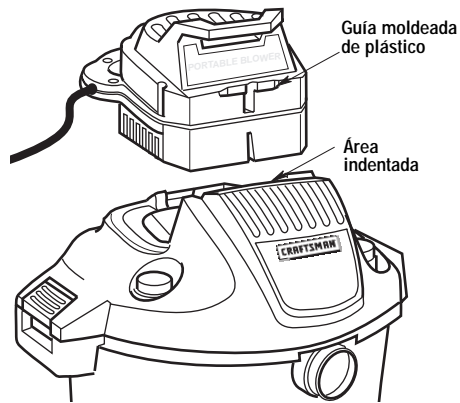
Ensamblaje de la aspiradora

1. Ubique el ensamblaje de la tapa y los ensamblajes del tambor y la base de soporte portaaccesorios (ensamblados antes).
2. Posicione el ensamblaje de la tapa con la entrada de la unidad ubicada en línea con la tapa del drenaje y la etiqueta de la aspiradora ubicada en la aspiradora.
3. Gire ambos pestillos hacia abajo hasta que oiga que dichos pestillos se acoplan a presión sobre el reborde del tambor.



Posicionamiento del soplador desmontable (ensamblaje del cabezal del motor)

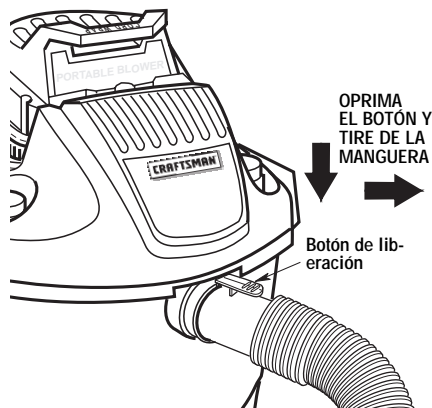
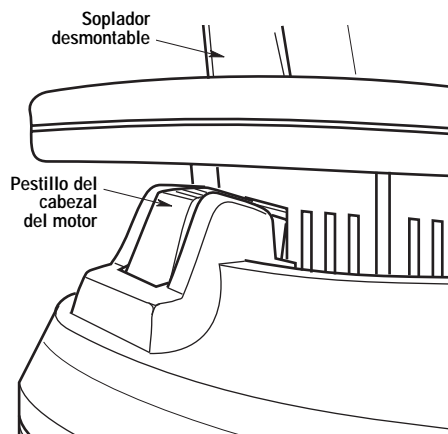
1. Localice el soplador desmontable de la aspiradora para mojado/seco Craftsman.
2. Sobre el soplador (opuesto al lado del asa del soplador) hay una guía moldeada de plástico que se utiliza para ayudar a ensamblar la unidad. Posicione la guía en el interior del área indentada ubicada sobre la etiqueta.
3. Gire hacia abajo el soplador desmontable hasta que el recorrido de la unidad se detenga.
4. Presione ligeramente hacia abajo sobre el asa de transporte del soplador desmontable hasta que el pestillo del cabezal del motor se acople en el soplador. Una vez hecho esto, el soplador desmontable estará sujeto firmemente al ensamblaje de la tapa.



Introduzca la manguera

Introduzca el extremo de fijación de la manguera "Posi-Lock" en la entrada de la aspiradora. La manguera debería acoplarse a presión en su sitio. Para sacar la manguera de la aspiradora, oprima el botón de liberación ubicado en el ensamblaje de la manguera y tire de la manguera hasta sacarla de la entrada de la aspiradora, de la manera que se muestra en la ilustración.

Una vez hecho esto, su nueva aspiradora para mojado/seco estará lista para utilizarse.



Funcionamiento

ADVERTENCIA

Para reducir el riesgo de incendios o explosión, no haga funcionar esta aspiradora en áreas en las que haya gases inflamables, o vapores inflamables o polvo explosivo en el aire. Entre los gases y vapores inflamables se incluye, pero sin limitarse a ellos, líquidos de encendedor, limpiadores a base de disolventes, pinturas a base de aceite, gasolina, alcohol o rociadores aerosoles. Entre los polvos explosivos se incluye, pero sin limitarse a ellos, el carbón, magnesio, polvo de granos o pólvora. No recoja con la aspiradora polvo explosivo, líquidos inflamables o combustibles, ni cenizas calientes. No use esta aspiradora como rociador. A fin de reducir los peligros para la salud debidos a vapores o polvos, no recoja con la aspiradora materiales tóxicos.

PRECAUCIÓN: Para reducir el riesgo de daños a la audición, use protectores de oídos al utilizar la aspiradora durante muchas horas seguidas o al emplearla en un área ruidosa. La utilización de cualquier aspiradora utilitaria puede hacer que se soplen objetos extraños hacia los ojos, lo cual puede causar daños graves en los ojos. Use siempre anteojos de seguridad que cumplan con la norma ANSI Z87.1 (o en Canadá, con la norma CSA Z94.3) antes de comenzar la operación. Se pueden conseguir anteojos de seguridad en muchas tiendas minoristas locales.

Para reducir el riesgo de sacudidas eléctricas, este aparato electrodoméstico tiene un enchufe polarizado (una hoja es más ancha que la otra). Este enchufe entrará en un tomacorriente polarizado solamente de una manera. Si el enchufe no entra por completo en el tomacorriente, déle la vuelta. Si sigue sin entrar, póngase en contacto con un electricista competente para instalar el tomacorriente adecuado. No haga ningún tipo de cambio en el enchufe.

Después de enchufar el cordón de energía en el tomacorriente, encienda la unidad empujando el interruptor de la posición "O" a la posición "|". Los símbolos utilizados en el accionador del interruptor son los símbolos internacionales de "encendido y apagado". "O" es el símbolo de "APAGADO" y "|" es el símbolo de "ENCENDIDO".

 = APAGADO | = ENCENDIDO

NOTA: Cuando utilice la unidad en el modo de aspiración, introduzca siempre el difusor de aire en el orificio de escape del soplador desmontable. Esto interrumpe el flujo directo de aire y lo disipa.

Recogida de materiales secos con la aspiradora

1. El filtro debe estar siempre en la posición correcta para reducir el riesgo de fugas y posibles daños a la aspiradora.
2. Cuando utilice la aspiradora para recoger polvo muy fino, será necesario que usted vacíe el recipiente de la aspiradora y limpie el filtro a intervalos más frecuentes para mantener el máximo rendimiento de la aspiradora.

NOTA: Se necesita un filtro para medios secos para recoger material seco. Si utiliza la aspiradora para recoger polvo cuando el filtro esté mojado, éste se taponará rápidamente y será muy difícil limpiarlo.

3. Si el filtro está mojado pero usted necesita usar la aspiradora para recoger material seco, puede secar rápidamente el filtro haciendo funcionar la aspiradora sin tener la manguera conectada a ella durante aproximadamente 10 minutos. El aire limpio que atravesará rápidamente la aspiradora ayudará a secar el filtro.

El filtro opcional para medios con calificación HEPA (filtro de aire de alta eficiencia para partículas), número de existencias 9-17912, hará un mejor trabajo a la hora de atrapar las partículas de polvo muy finas que el filtro 9-17816. El material de este filtro tiene una eficiencia del 99.97% hasta un tamaño tan pequeño como 0,3 micrones.

Recogida de líquidos con la aspiradora

1. Cuando recoja cantidades pequeñas de líquido, se podrá dejar colocado el filtro en la aspiradora.
2. Cuando recoja cantidades grandes de líquido, recomendamos quitar el filtro. Si no se quita el filtro, éste se saturará y es posible que aparezca niebla en el escape.
3. Después de utilizar la aspiradora para recoger líquidos, se debe secar el filtro para evitar una posible formación de moho y posibles daños al filtro.

Funcionamiento (continuación)

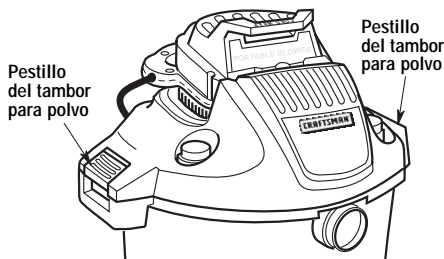
4. Cuando el líquido contenido en el tambor de la aspiradora alcance un nivel predeterminado, el mecanismo de flotador subirá automáticamente para cortar la circulación de aire. Cuando esto ocurra, apague la aspiradora, desenchufe el cordón de energía y vacíe el tambor. Sabrá que el flotador ha cortado la circulación de aire porque la succión cesará y el ruido del motor alcanzará una frecuencia más alta debido al aumento de la velocidad del motor.

IMPORTANTE: Para reducir el riesgo de dañar la aspiradora, no haga funcionar el motor con el flotador en la posición subida.

Vaciado del tambor para polvo

ADVERTENCIA: Para reducir el riesgo de lesiones por causa de un arranque accidental, desenchufe el cordón de energía antes de vaciar el tambor de la aspiradora.

1. Para quitar la tapa con el fin de vaciar el tambor para polvo de su contenido, simplemente levante los dos pestillos del tambor ubicados en la parte delantera y en la parte trasera del tambor para polvo. Levante el ensamblaje de la tapa, sepárelo del tambor para polvo y póngalo a un lado.



NOTA: No levante el ensamblaje de la tapa levantando el asa del soplador desmontable. Levante el ensamblaje de la tapa por los pestillos. Esto asegurará que el soplador desmontable y la tapa no se separen al quitar el ensamblaje de la tapa.

2. Ponga el ensamblaje del motor de la aspiradora en posición invertida en un área limpia mientras vacía el recipiente de la aspiradora.
3. Vierta el contenido del recipiente de la aspiradora en el recipiente de eliminación de residuos adecuado.

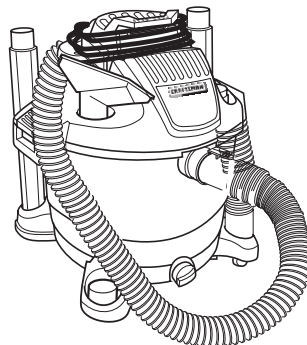
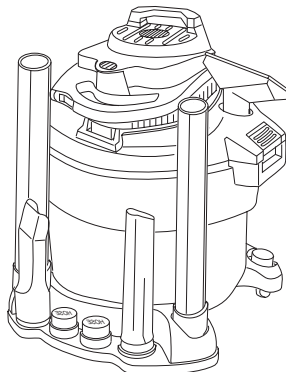
ADVERTENCIA: Para reducir el riesgo de lesiones en la espalda o de caídas, no levante una aspiradora que pese mucho debido a que contiene líquido o residuos. Saque o vierta bastante contenido para hacer que la aspiradora sea lo suficientemente liviana como para poder levantarla cómodamente.

Para almacenar los accesorios

La base de soporte portaaccesorios de la aspiradora para mojado/seco Craftsman está diseñada para proporcionar mejor estabilidad y almacenamiento de accesorios. Hay seis ubicaciones de almacenamiento en la parte trasera de la base de soporte portaaccesorios de la aspiradora, dos ubicaciones de almacenamiento en los pies de ruedecilla y dos ubicaciones de almacenamiento en la tapa de la aspiradora.

Almacene convenientemente las boquillas accesorias y los tubos extensores en la parte trasera de la base de soporte portaaccesorios y utilice el área delantera de almacenamiento para almacenar la manguera y/o para almacenar el adaptador macho-macho y el difusor de aire.

Los accesorios Craftsman recomendados se pueden conseguir en las tiendas minoristas Sears.

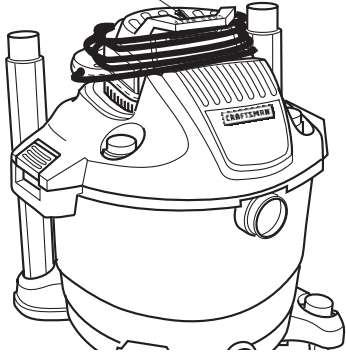


Funcionamiento (continuación)

Enrollador del cordón

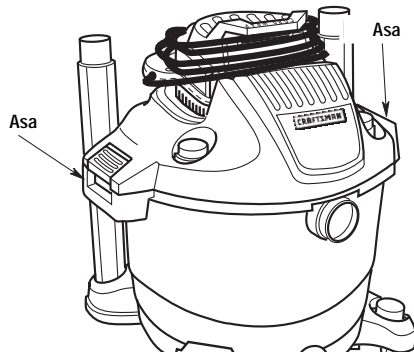
Cuando haya acabado de utilizar la aspiradora, desenchufe el cordón y enróllelo alrededor de las orejetas del enrollador del cordón ubicadas en la parte superior de la aspiradora.

Area del enrollador del cordón



Transporte de la aspiradora

En caso de que sea necesario levantar la aspiradora para trasladarla, las asas ubicadas en los lados del tambor para polvo se utilizan para levantar la aspiradora. Para maniobrar la aspiradora, se debe usar el asa de empuje/tracción ubicada en la parte trasera de la unidad.



Dispositivo de soplado

La aspiradora para mojado/seco tiene un "soplador desmontable". La aspiradora tiene capacidad para utilizarse como un soplador especializado para realizar trabajo de jardín, limpieza de patios y aplicaciones de taller para soplar aserrín y otros residuos.

ADVERTENCIA: Use siempre anteojos de seguridad que cumplan con la norma ANSI Z87.1 (o en Canadá, con la norma CSA Z94.3) antes de usar la aspiradora como soplador.

ADVERTENCIA: Para reducir el riesgo de lesiones a las personas que se encuentren presentes, manténgalas alejadas de los residuos soplados.

PRECAUCIÓN: Para reducir el riesgo de daños a la audición, use protectores de oídos cuando utilice la aspiradora/soplador durante muchas horas seguidas o cuando la utilice en un área ruidosa.

ADVERTENCIA: Use una máscara antipolvo si el soplado genera polvo que podría ser inhalado.

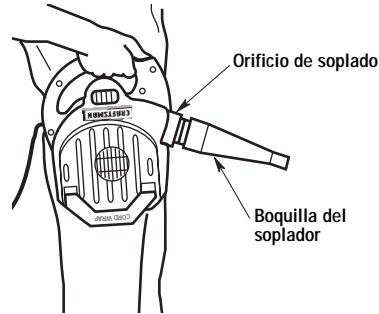
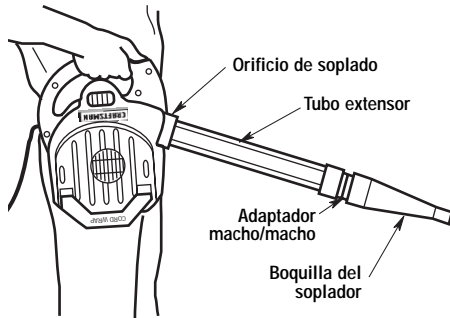
1. Familiarícese con la parte del soplador desmontable de la aspiradora para mojado/seco.
2. Quite el soplador desmontable de la aspiradora, presionando hacia abajo sobre el pestillo ubicado debajo del asa del soplador desmontable. Este pestillo sujeta el soplador desmontable al ensamblaje de la tapa.
3. Levante el soplador desmontable subiendo el asa y tirando de la unidad de modo que se aleje de la posición encajada de las bisagras.

Ensamble el soplador desmontable para "soplar"

Esto se puede realizar de dos modos.

1. Introduzca el extremo pequeño de uno de los tubos extensores en el orificio de soplado del soplador desmontable. Introduzca el adaptador macho a macho en el tubo extensor e instale la boquilla del soplador en el adaptador macho a macho.
- 0 —
2. Introduzca el adaptador macho a macho en el orificio de soplado del soplador desmontable. Conecte el extremo grande del tubo extensor al adaptador macho a macho. Conecte la boquilla del soplador al tubo extensor.
 3. Encienda el soplador basculando el interruptor ubicado en el asa del soplador hasta la posición de ENCENDIDO.

Funcionamiento (continuación)

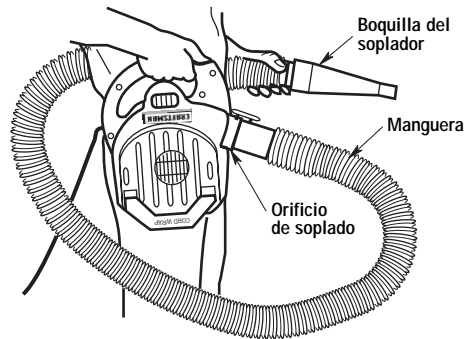


La aspiradora para mojado/seco también se puede usar para soplar utilizando la manguera de siete pies suministrada con ella.

Instale el adaptador macho-macho en el orificio de soplado de la aspiradora para mojado/seco.

Ensamble la manguera en el orificio de soplado y conecte la boquilla del soplador en el extremo opuesto de la manguera.

Una vez hecho esto, la unidad estará lista para realizar aplicaciones de soplado.



Mantenimiento

Entrada del soplador

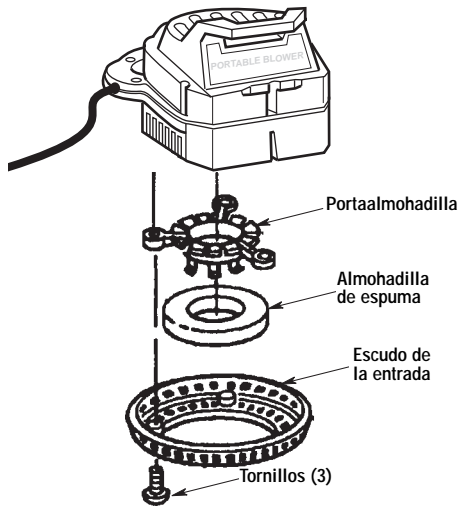
ADVERTENCIA: Para reducir el riesgo de lesiones, desenchufe la unidad antes de limpiar la almohadilla de espuma. Antes de usar la unidad, el escudo de la entrada, el portaalmohadilla y la almohadilla deben estar colocados en su sitio.

Después de utilizar el soplador desmontable de la aspiradora para mojado/seco, examine la parte inferior del soplador para comprobar si tiene polvo y residuos. Compruebe si la entrada del soplador tiene residuos adheridos a los respiraderos de plástico y la almohadilla de espuma.

Para limpiar la almohadilla de espuma ubicada debajo del escudo de la entrada del soplador desmontable:

1. Quite los tres tornillos que sujetan el escudo de la entrada.
2. Levante el escudo de la entrada y póngalo a un lado.
3. Levante la almohadilla de espuma alejándola del soplador desprendido; el portaalmohadilla de también se levantará alejándose del soplador.
4. Quite la almohadilla de espuma del portaalmohadilla y ponga a un lado dicho portaalmohadilla. Limpie la almohadilla de espuma con agua jabonosa templada o quite los residuos con un cepillo. Deje que la almohadilla de espuma se seque.
5. Examine la almohadilla de espuma para comprobar si se puede reutilizar. Si necesita reemplazarla, consulte la sección de piezas de repuesto de este manual.

Mantenimiento (continuación)



6. Vuelva a colocar el portaalmojadilla en el soplador con las lengüetas orientadas de modo que se alejen del soplador. Reinstale la almojadilla de espuma debajo de las lengüetas del portaalmojadilla.

7. Reinstale el escudo de la entrada y los tres tornillos.

La unidad está lista para utilizarse.

Limpieza del filtro de la aspiradora

ADVERTENCIA: Para reducir el riesgo de lesiones por causa de un arranque accidental, desenchufe el cordón de energía antes de cambiar o limpiar el filtro.

El filtro se debe limpiar a menudo para mantener un rendimiento óptimo de la aspiradora.

Asegúrese de secar el filtro antes de guardar la aspiradora o de recoger residuos secos.

IMPORTANTE: Después de limpiar el filtro, compruebe si éste tiene desgarraduras o agujero pequeños. No use un filtro que tenga agujeros o desgarraduras. Incluso un agujero pequeño puede hacer que se salga mucho polvo de la aspiradora. Cámbielo inmediatamente.

NOTA: Este filtro está hecho de papel de alta calidad diseñado para detener partículas de polvo muy pequeñas. El filtro se puede utilizar para recoger cantidades pequeñas de líquido o para recoger material sólido. Maneje el filtro con cuidado cuando lo quite para limpiarlo o cuando lo instale. Es posible que se formen arrugas en los pliegues del filtro como resultado de la instalación, pero las arrugas no afectarán el rendimiento del filtro.

Remoción del filtro

Para quitar el filtro con el fin de limpiarlo o reemplazarlo, quite la tuerca del filtro del tornillo ubicado en la jaula del filtro, quite la placa del filtro y levante el filtro.

IMPORTANTE: Para reducir el riesgo de dañar la rueda del soplador y el motor, reinstale siempre el filtro antes de utilizar la aspiradora para recoger material seco.

PRECAUCIÓN: No quite la jaula del filtro ni el flotador. Están ahí para cortar la circulación de aire cuando el tambor esté lleno de líquidos.

Limpieza de un filtro seco

1. La limpieza ligera para quitar una pequeña cantidad de residuos secos se puede realizar sin quitar el filtro de la aspiradora. Simplemente dé una palmada con la mano en la parte superior de la tapa mientras la aspiradora está apagada.
2. Para obtener óptimos resultados de limpieza debido a la acumulación de polvo, limpie el filtro en un área abierta. La limpieza SE DEBE realizar al aire libre y no en el interior de la vivienda.
3. Después de quitar el filtro de la aspiradora, saque los residuos secos golpeando suavemente el filtro contra la pared interior del tambor para polvo. Los residuos se soltarán y caerán.
4. Para una limpieza a fondo del filtro seco con polvo fino (sin residuos), haga pasar agua a través del filtro tal como se describe bajo "Limpieza de un filtro mojado".

Limpieza de un filtro mojado

Después de quitar el filtro, haga pasar agua a través de él usando una manguera o desde una espita. Tenga cuidado de que la presión del agua procedente de la manguera no sea lo suficientemente fuerte como para dañar el filtro. Recuerde: Para secar rápidamente un filtro, reinstale el filtro en la aspiradora y deje que la unidad funcione durante aproximadamente 10 minutos. El aire limpio que atravesará el filtro hará que éste se seque.

Instalación

Consulte la sección "Ensamblaje de un filtro" de este manual.

Deje que el filtro se seque antes de guardar la aspiradora.

Mantenimiento (continuación)

Boquilla para mojado

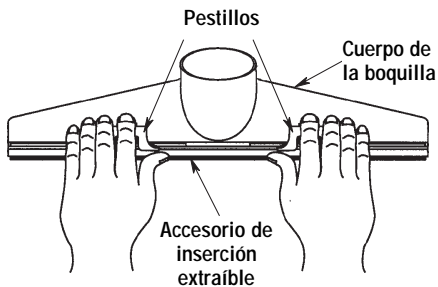
Para recoger líquidos de una superficie lisa, utilice la boquilla accesoria para mojado de 2-1/2 pulgadas suministrada con la aspiradora para mojado/seco. Para utilizar dicha boquilla, simplemente conéctela al extremo de un tubo extensor.

Conecte un segundo tubo extensor al primero y conecte la manguera de 2-1/2 pulg. x 7 pies al tubo extensor.

Los líquidos pueden recogerse arrastrando la boquilla por la superficie. La barredora de goma secará la superficie al usar la aspiradora.

La goma de repuesto para la boquilla de la barredora se puede obtener a través del Departamento de Piezas de Repuesto de Sears. Si la goma se desgasta, se le puede dar la vuelta para utilizarla en el lado contrario, o puede reemplazarse. (Pieza de repuesto No. 822256). Para invertir o reemplazar la barredora de goma:

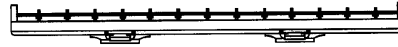
1. Coloque la boquilla para mojado sobre una superficie plana con la abertura de entrada redonda orientada hacia arriba y los dos pestillos cerca de usted, tal como se muestra en la ilustración.



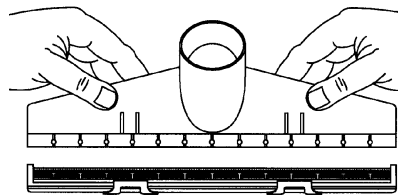
2. Utilizando las dos manos, sitúe los pulgares sobre el accesorio de inserción extraíble (debajo de los pestillos) y dos dedos de cada mano sobre cada pestillo, y levante y desacople los dos pestillos de las lengüetas del cuerpo de la boquilla.
3. Tire suavemente de los pestillos hacia usted para extraer el accesorio de inserción.

Para reinstalar correctamente el accesorio de inserción extraíble, siga estos pasos:

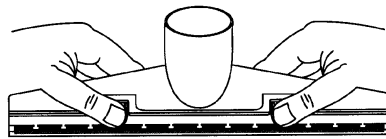
1. Coloque el accesorio de inserción extraíble sobre una superficie plana con los pasadores orientados hacia arriba y los pestillos cerca de usted, tal como se muestra en la ilustración. Coloque la barredora de goma sobre el accesorio de inserción con los pasadores acoplados a través de los agujeros correspondientes de la barredora de goma. (Asegúrese de que el nuevo borde de trabajo esté ubicado lo más alejado posible de usted.)



2. Utilizando las dos manos, baje el cuerpo de la boquilla sobre el accesorio de inserción y la barredora de goma con la abertura redonda de la boquilla lo más cerca posible de usted. Con los dedos situados en el lado alejado y los pulgares sujetando los pestillos del accesorio de inserción extraíble, dé la vuelta a la boquilla de manera que los pestillos queden en la parte de arriba y la abertura de entrada redonda quede orientada de manera que se aleje de usted. Asegúrese de que la barredora de goma permanezca sobre los pasadores del accesorio de inserción.

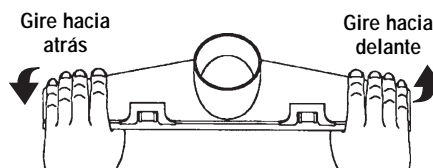


3. Ejerza presión hacia abajo con ambos pulgares debajo de las lengüetas de fijación hasta que vea y escuche cómo el accesorio de inserción extraíble se acopla a presión en el cuerpo de la boquilla. Acople a presión los pestillos sobre las lengüetas de fijación en su posición original.



4. Inspeccione los pasadores del accesorio de inserción para asegurarse de que están acoplados a través de los agujeros de la barredora de goma y de que están acoplados en las ranuras correspondientes del cuerpo de la boquilla.

NOTA: Si los pasadores están fuera de posición, sujete el ensamblaje de la boquilla con las dos manos y gírelo suavemente moviendo las manos en sentido contrario. Los pasadores del accesorio de inserción deben acoplarse a presión en la posición adecuada.



El ensamblaje de la boquilla para mojado está listo para usarse en la recogida de material mojado.

Mantenimiento (continuación)

Limpieza y desinfección de la aspiradora para mojado/seco

Para mantener el mejor aspecto posible de la aspiradora para mojado/seco, limpie su exterior con un paño humedecido con agua templada y un jabón suave.

Para limpiar el tambor:

1. Vacíe los residuos del tambor.
2. Lave a fondo el tambor con agua templada y un jabón suave.
3. Limpie el tambor con un paño seco.

Antes de un almacenamiento prolongado o según sea necesario (por ejemplo, si se recogen aguas residuales), se debe desinfectar el tambor.

Para desinfectar el tambor:

1. Eche 1 galón de agua y 1 cucharadita de blanqueador de cloro en el tambor.
2. Deje que la solución repose durante 20 minutos y agítela cuidadosamente cada pocos minutos, asegurándose de mojar todas las superficies interiores del tambor.
3. Vacíe el tambor después de 20 minutos. Enjuáguelo con agua hasta que el olor a blanqueador desaparezca. Deje que el tambor se seque completamente antes de sellar el motor sobre el tambor.

Ruedecillas

Si las ruedecillas hacen ruido, puede poner una gota de aceite en el eje del rodillo para que hagan menos ruido.

ADVERTENCIA: Para garantizar la **SEGURIDAD** y **CONFIABILIDAD** del producto, las reparaciones y el ajuste deben ser realizados por Centros de Servicio Sears, utilizando siempre piezas de repuesto Sears.


Piezas de repuesto

Aspiradora para mojado/seco de 16 galones con soplador desmontable Número de modelo 113.170660

Pida siempre por número de pieza —no por número de clave

ADVERTENCIA

SERVICIO DE AJUSTES Y REPARACIONES DE UNA ASPIRADORA CON AISLAMIENTO DOBLE

En una aspiradora con aislamiento doble se proporcionan dos sistemas de aislamiento en vez de conexión a tierra. No se proporciona ningún medio de conexión a tierra en un aparato electrodoméstico con aislamiento doble, ni se debe añadir a éste ningún medio de conexión a tierra. El servicio de ajustes y reparaciones de una aspiradora con aislamiento doble requiere sumo cuidado y conocimiento del sistema, y debe ser realizado únicamente por personal de servicio competente. Las piezas de repuesto para la aspiradora con aislamiento doble deben ser idénticas a las piezas que reemplazan. La aspiradora con aislamiento doble está marcada con las palabras "DOUBLE INSULATED" (con aislamiento doble) y puede que el símbolo  (un cuadrado dentro de un cuadrado) también esté marcado en los aparatos.

Para reducir el riesgo de lesiones por causa de una descarga eléctrica, desenchufe el cordón de energía antes de realizar servicio de ajustes y reparaciones de las piezas eléctricas de la aspiradora para mojado/seco.

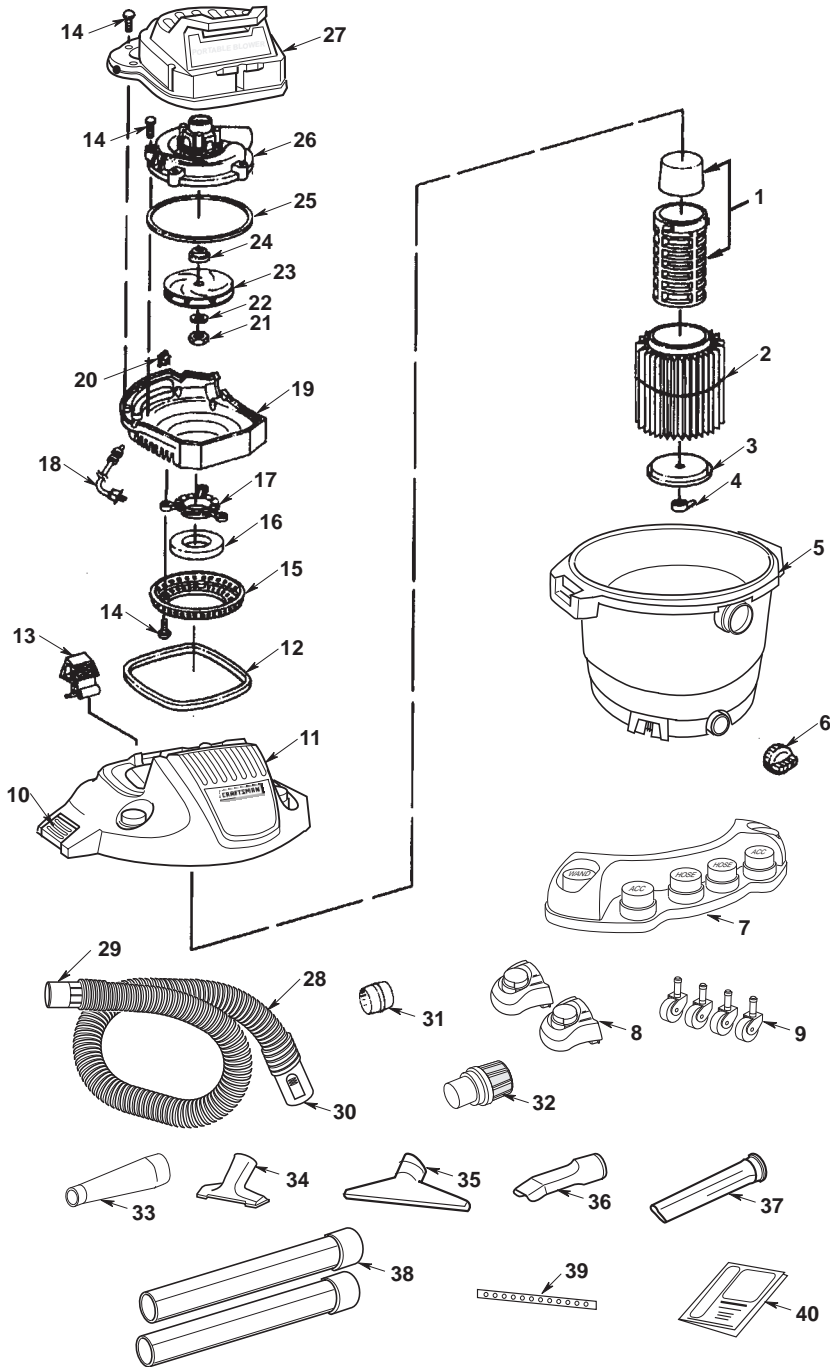
No. de clave	No. de pieza	Descripción	No. de clave	No. de pieza	Descripción
1	509238	Jaula del filtro/flotador	21	826817	Tuerca hexagonal con pestaña de 5/16-18
2	9-17816	† Filtro (raya roja)	22	315534-1	Arandela
3	9-16937	† Placa del filtro	23	818413	Rueda del soplador
4	9-16938	† Tuerca del filtro	24	818961	Separador
5	830478	Tambor (incluye el No. de clave 6)	25	822459-1	Empaquetadura del colector
6	73185	Tapa del drenaje	26	830240	Motor (incluye los Nos. de clave 22 a 25)
7	830712	Base de soporte portaaccesorios	27	831012	Cubierta del motor
8	828460	Pies de ruedecilla	28	826356-5	Manguera de 2-1/2 pulgadas x 7 pies (incluye los Nos de clave 30 y 31)
9	29776	Ruedecilla única	29	815096	Adaptador de manguera
10	830711	Pestillo del tambor	30	829900	Adaptador de manguera
11	509865	Tapa (incluye los Nos. de clave 11 y 14)	31	822482	Adaptador macho-macho
12	822442-1	Empaquetadura de la tapa	32	830098	Difusor
13	826388	Pestillo del cabezal del motor	33	9-16933	Boquilla del soplador
14	820563-7	Tornillo de cabeza troncocónica tipo AB No. 10 x 3/4	34	9-16922	Boquilla utilitaria
15	826383-5	Escudo de la entrada	35	9-17817	Boquilla para mojado
16	826411	Almohadilla de espuma	36	9-16978	Boquilla para auto
17	826389	Portaalmohadilla	37	9-16902	Boquilla rinconera
18	829718-12	Cordón con enchufe	38	9-16964	Tubos extensores
19	826403-3	Tapa desmontable (incluye los Nos de clave 15, 16, 17 y 18)	39	822256	Boquilla barredora de goma
20	823871	Interruptor oscilante	40	SP6570	Manual del usuario

† Artículo de existencias. Se puede obtener a través del departamento de ferretería de la mayoría de las tiendas minoristas Sears.

* Artículo de herrajes estándar. Se puede comprar localmente.

Piezas de repuesto

Aspiradora para mojado/seco de 16 galones con soplador desmontable
Número de modelo 113.170660



Get it fixed, at your home or ours!

Your Home

For repair – **in your home** – of **all** major brand appliances, lawn and garden equipment, or heating and cooling systems, **no matter who made it, no matter who sold it!**

For the replacement parts, accessories and owner's manuals that you need to do-it-yourself.

For Sears professional installation of home appliances and items like garage door openers and water heaters.

1-800-4-MY-HOME®
(1-800-469-4663)
www.sears.com

Anytime, day or night
(U.S.A. and Canada)
www.sears.ca

Our Home

For repair of carry-in products like vacuums, lawn equipment, and electronics, call or go on-line for the nearest **Sears Parts and Repair Center.**

1-800-488-1222 Anytime, day or night (U.S.A. only)
www.sears.com

To purchase a protection agreement (U.S.A.) or maintenance agreement (Canada) on a product serviced by Sears:

1-800-827-6655 (U.S.A.)

1-800-361-6665 (Canada)

Para pedir servicio de reparación a domicilio, y para ordenar piezas:

1-888-SU-HOGARSM
(1-888-784-6427)

Au Canada pour service en français:

1-800-LE-FOYER^{MC}
(1-800-533-6937)
www.sears.ca



© Sears, Roebuck and Co.

® Registered Trademark / ™ Trademark / SM Service Mark of Sears, Roebuck and Co.

® Marca Registrada / ™ Marca de Fábrica / SM Marca de Servicio de Sears, Roebuck and Co.

^{MC} Marque de commerce / ^{MD} Marque déposée de Sears, Roebuck and Co.