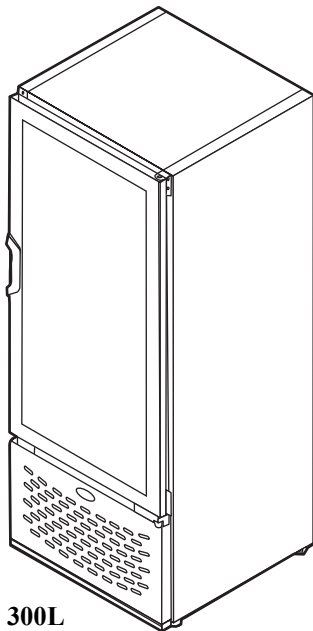
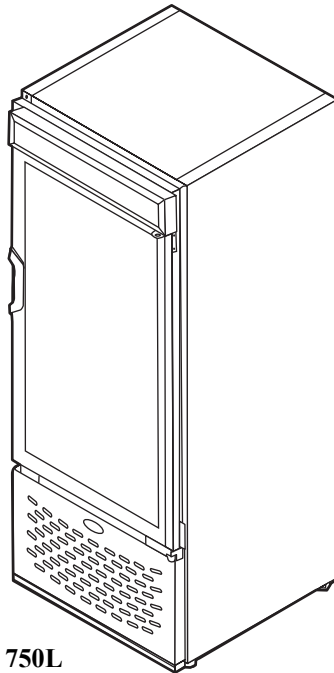

OWNER'S MANUAL

MIRACOOOL™ GLASS DOOR MERCHANDISER

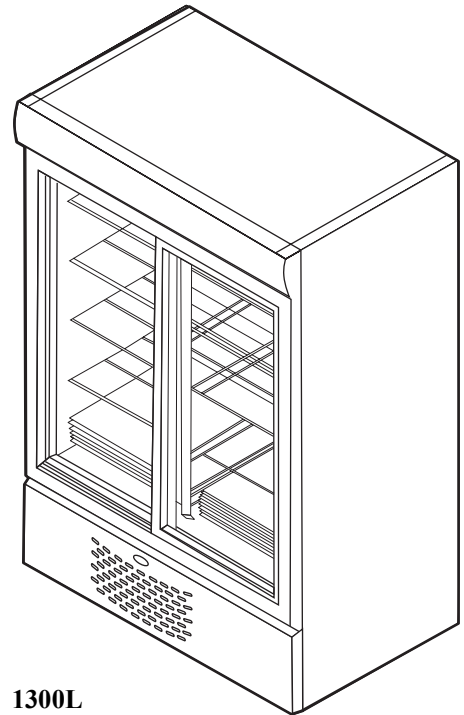
260L - 1300L



300L



750L



1300L

Sales Office:
P.O. Box 5932
Spartanburg, S.C. 29304-5932

Technical Service: 1-800-558-7627
Parts Order Fax: 1-800-262-9381



CONTENTS

	Page
GENERAL	2
UNIT INSPECTION	2
INSTALLATION	2-5
LOCATE UNIT	2
LEVEL UNIT	4
INSTALL SHELVES	5
CONDENSATE DISPOSAL	5
START-UP	6,7
PRELIMINARY CHECKS	6
INITIAL START-UP	7
REFRIGERATION SYSTEM SERVICE	8-13
COMPONENTS	8
SERVICE AND TROUBLESHOOTING	8
MAINTENANCE	14,15
LAMP REPLACEMENT	14
CONDENSATE REMOVAL	14
CONDENSER	14
CABINET EXTERIOR	14
INTERIOR SURFACE	14

GENERAL

These instructions cover the installation, operation, and maintenance of Carrier Miracool™ series glass door merchandiser units, sizes 260L, 300L, 750L, 1100L, and 1300L.

UNIT INSPECTION

Examine all packages for damage to packaging material. Damage to external packaging may have resulted in unit damage. Check packages for all accessories and components, including legs, casters, and shelves. File a claim immediately with the shipping company if shipment is damaged or incomplete.

INSTALLATION

LOCATE UNIT

Refer to Figure 1 for unit components. Units are designed for indoor placement only. Provide at least 3 in. of space between unit cabinet and any adjacent wall or fixture. Remove skid base by removing the retaining screws (4 hex head bolt screws). If optional casters will be used, unit must be located on flat, level surface. Refer to Table 1 for a list of standard parts.

TABLE 1 — STANDARD PARTS

PART	FACTORY INSTALLED	FIELD INSTALLED	UNIT SIZE		
			260L, 300L	750L	1100L, 1300L
			Quantity		
Refrigeration Cartridge	X		1	1	1
Shelves		X	4	5	10
Shelf Clips		X	16	20	40
Instruction Manual	—	—	1	1	1
Leveling Feet	X		4	4	4
Lamps	X		1	2	2

NOTE: Parts shown are for standard units. Quantity of shelves and clips may vary based on factory-supplied options.

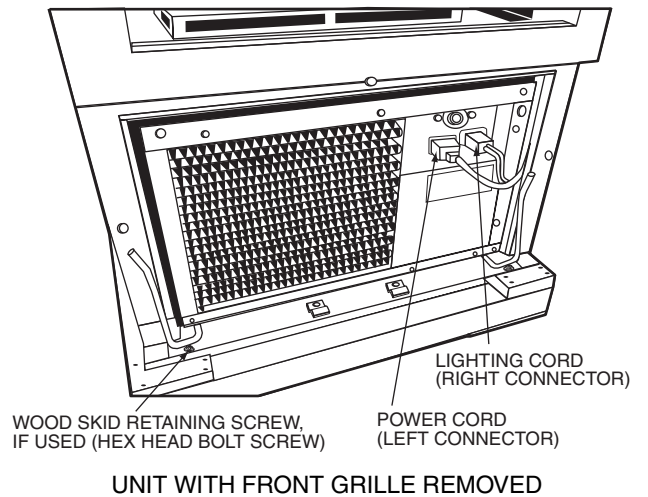
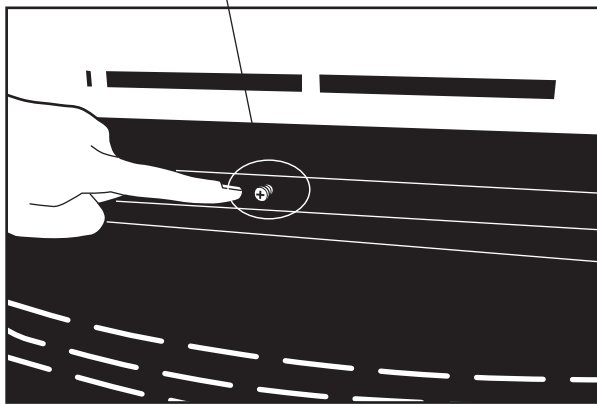
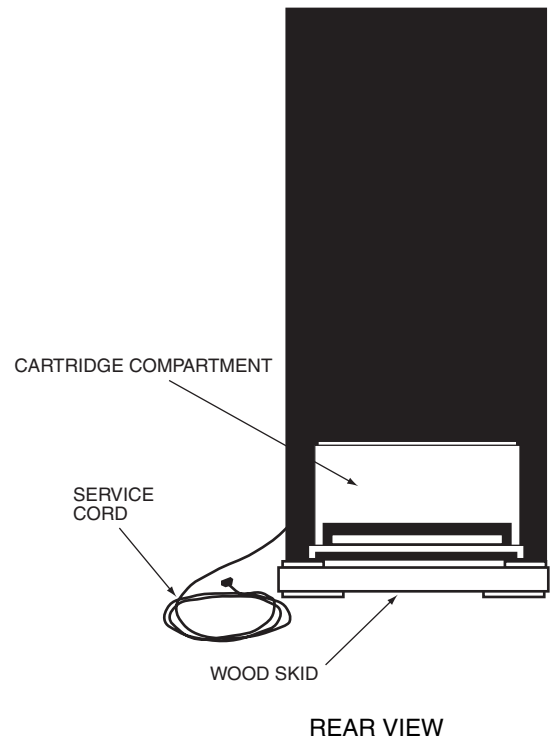
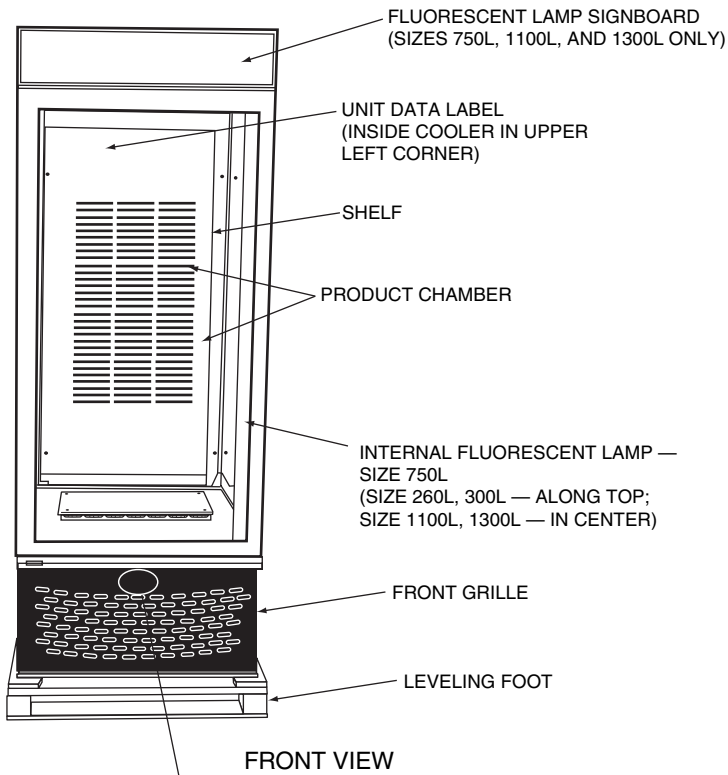


FIGURE 1 — MIRACOO™ BOTTLE COOLER UNIT COMPONENTS (Size 750L Shown)

LEVEL UNIT

To provide adequate condensate drainage and proper door alignment and operation of unit, the unit cabinet must be level. Leveling feet are factory installed. Remove refrigeration system cartridge for easier access to back feet.

⚠ DANGER

Before servicing unit, disconnect electrical service. On sizes 1100L and 1300L, turn disconnect switch (located on power cord) to the OFF position. Failure to disconnect electrical service could result in electrical shock and cause personal injury or death.

■ TO REMOVE CARTRIDGE

1. After disconnecting the unit from the power supply, remove the grille retaining screw located in the upper-most part of the grille. (See Figure 1.)
2. Lift the grille up and away from the unit.
3. Unplug the power supply and lighting supply cords located in the front of the cartridge (Figure 2).
4. Using a pair of wire cutters, cut wire tie that secures lifting rods at center of front base rail. (See Figure 2.)
5. Take hold of the end of each lifting rod and rotate each approximately 90-degrees upward so that they are nominally vertical (Figure 3.) The cartridge should be disengaged from the cabinet and resting on the base of the cabinet assembly. Handling holes are located on either side of the cartridge near the top and along the side of the cartridge (Figure 4). Grasp the cartridge by these holes and slide the unit forward from the cabinet until the cartridge is free. Use caution to ensure that power and electrical cords do not get pinched between the cartridge and cabinet while removing cartridge.

■ **TO LEVEL UNIT** — The door is equipped with gravity assisted cams and will not function properly without proper leveling of cabinet. Adjust feet using adjustable wrench so that unit sits approximately level to floor and door closes properly. For best door operation, adjust leveling feet so that cabinet has a $\frac{1}{16}$ -in. rake or slant from front to back. Optional casters are available to replace leveling feet.

NOTE: If casters are not used, local codes may require cabinet to be sealed around the perimeter of the cabinet base. Consult local sanitation codes. Use only sealant material approved for this use, such as Dow Corning #732.

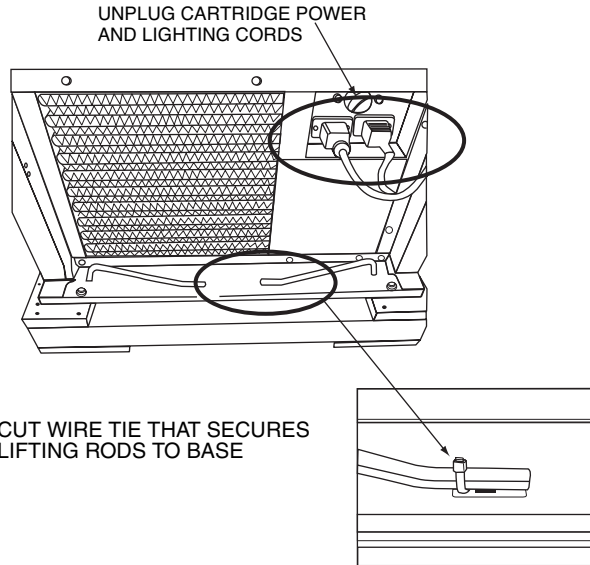


FIGURE 2 — PREPARE CARTRIDGE FOR REMOVAL

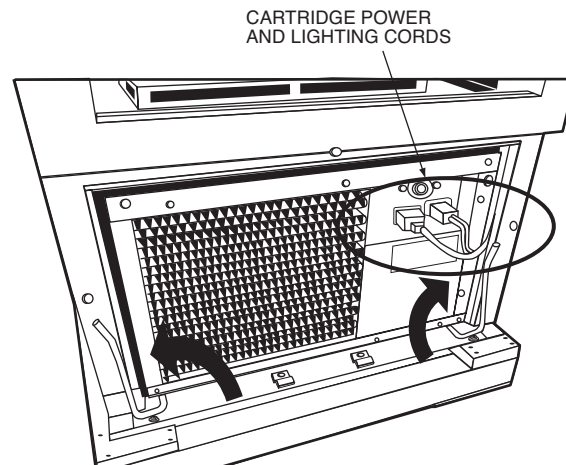


FIGURE 3 — ROTATE LIFTING WIRES IN DIRECTION SHOWN

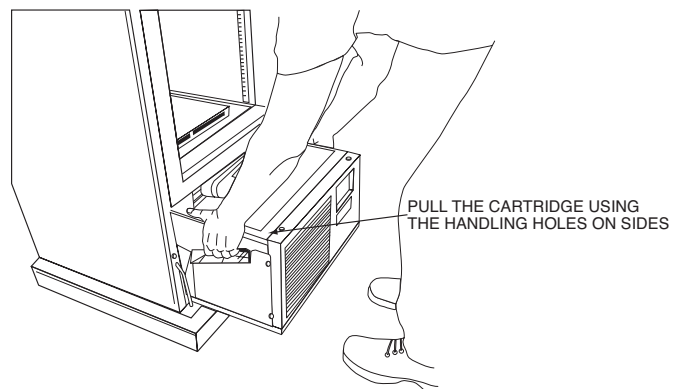


FIGURE 4 — REMOVE CARTRIDGE

INSTALL SHELVES

Product shelves and a bag containing shelf support clips are packed inside the unit. Refer to Table 1 to verify quantity of shelves and shelf supporting clips. Bottom shelf must be placed on interior floor and should be inserted into the two retainer clips provided at the rear corners of the unit floor.

⚠ WARNING

Improper shelf clip installation may cause shelf and/or product to fall which could result in personal injury or damage to the unit.

⚠ WARNING

Do not overload the shelves. The unit is designed to use all the shelves provided, installed in equally spaced configuration. Failure to install shelves correctly could result in personal injury or damage to the unit. If fewer shelves or a different installation configuration is desired, contact the manufacturer to ensure that shelf overloading will not occur.

■ TO INSTALL SHELVES — Refer to Figures 5 and 6.

1. Determine proper location for shelf clips. Refer to the numbers on the pilaster to ensure that all clips are properly located.
2. Insert top tab of the shelf clip into the desired hole of the pilaster. The retaining tab should be facing upward as shown in Figure 5.
3. Rotate the clip downward and insert the bottom tab into the appropriate hole on the pilaster. If necessary, squeeze the clip slightly during installation.
4. Install all remaining clips as described above.
5. Install shelves onto clips so that the product retention bar is facing upward. Be careful not to dislodge clips during shelf installation.
6. Shelves must be placed so that the retaining tab on the shelf clip captures the shelf as shown in Figure 6.
7. Before loading the shelf, ensure that the shelf is resting on each of 4 clips and that the clips are installed as shown in Figures 5 and 6.

CONDENSATE DISPOSAL

The evaporator drain pan is located in the base of the cartridge. Airflow in cartridge compartment hastens condensate evaporation so that external drain plumbing is not required.

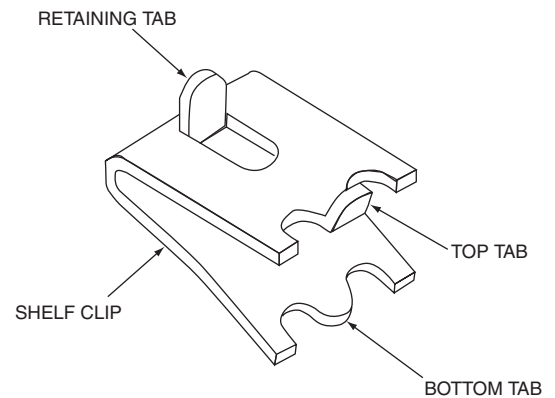
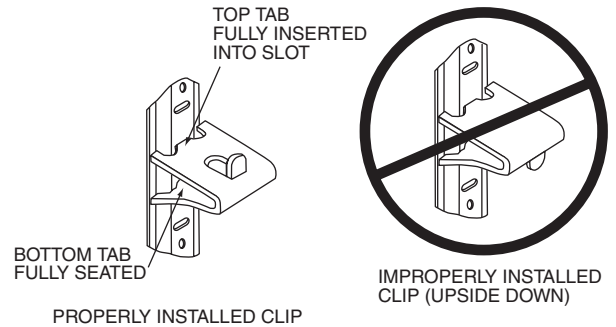


FIGURE 5 — SHELF CLIP INSTALLATION

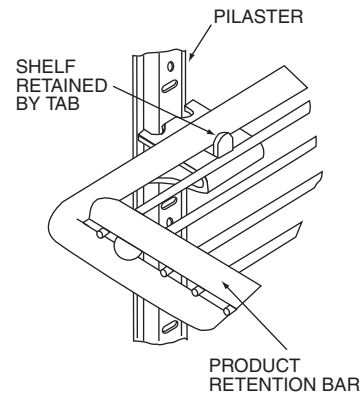


FIGURE 6 — PROPER INSTALLATION OF SHELF ON CLIP

START-UP

PRELIMINARY CHECKS

■ **BI-PIN FLUORESCENT LAMP INSTALLATION/ VERIFICATION** — Before applying power to the unit, verify that all lamps have been properly installed and are fully engaged in the lamp holders. Sizes 750L, 1100L, and 1300L have 2 lamps, one in the signboard and one inside the cooler. Sizes 260L and 300L have one lamp inside the cooler.

⚠ CAUTION

Improperly installed lamps may cause damage to the lighting circuit. Carrier will not be responsible for equipment or component failures or other damages or losses that arise as a result of improper lamp installation.

To achieve proper lamp engagement, rotate the lamp 90 degrees from its insertion position until it snaps or clicks into place.

On units without safety shields, visually verify proper lamp installation by checking the identification mark on the end of the bulb. If the bulb has been properly installed, the mark will be centered between the “halves” of the lamp holder. Refer to Figure 7.

On units with safety shields, the identification mark cannot be seen. (See Figure 8.) Verify manually that the lamp has been rotated and locked into place.

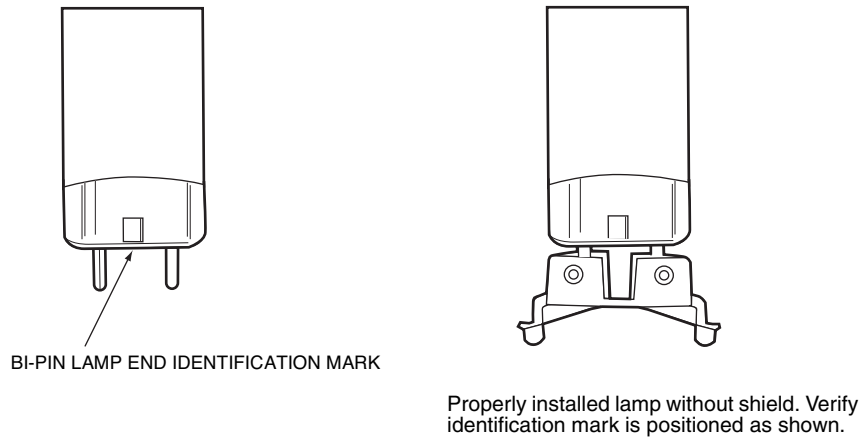


FIGURE 7 — CHECK INSTALLATION OF LAMP WITHOUT SAFETY SHIELD

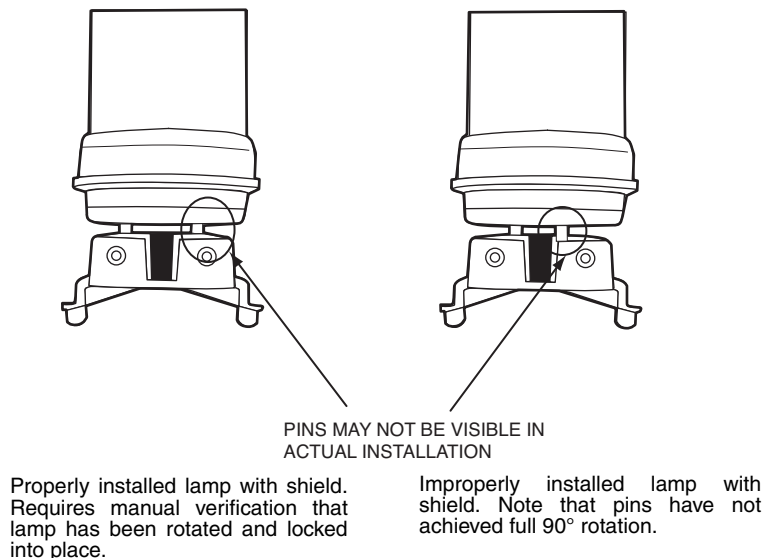


FIGURE 8 — CHECK INSTALLATION OF LAMP WITH SHIELD

■ ELECTRICAL SUPPLY AND CONNECTIONS —

Check to be sure that the electrical service to the unit meets all local and national electrical codes. Unit electrical data is shown in the unit data label, located on the inside of the cabinet in the upper lefthand corner. Review this label before initiating electrical service. Voltage range of power supply to unit should be 105 to 125 volts. Refer to Table 2 for unit data.

NOTE: Other motors or heavy appliances should not be used on the same circuit with the cooler.

See Figure 1 for location of service cord.

⚠ DANGER

Before servicing unit, disconnect electrical service. On sizes 1100L and 1300L, turn disconnect switch (located on power cord) to the OFF position. Failure to disconnect electrical service could result in electrical shock and cause personal injury or death.

⚠ CAUTION

If an extension cord is necessary, use only three-wire grounding type. The use of ungrounded cords or overloaded circuit voids compressor warranty.

TABLE 2 — UNIT DATA

UNIT	MC260, MC300	MC750	MC1100, MC1300
Voltage Nominal Range	115 105-125	115 105-125	115 105-125
Frequency	60	60	60
Total Amps	4.6	8.9	10.6
Refrigerant Type Charge Amount (oz)	R-134A 4.3	R-134A 7.5	R-134A 14.5
Design Pressure High Side (psig) Low Side (psig)	220 88	265 93	222 88

INITIAL START-UP

■ POWER SUPPLY — Connect unit to power supply. On sizes 1100L and 1300L, turn disconnect switch to the ON position. Check to verify that the compressor, lamp, and fans are running.

IMPORTANT: Low line voltage is often the cause of service complaints. Check to see that the line voltage is within specified range with the unit running.

■ TEMPERATURE CONTROL — The temperature control knob is located in the front power panel. See Figure 9. Unit is factory set at the number 4 position (normal), which will maintain the product at approximately 38 F. For colder temperature, turn the black adjustment knob to a higher setting. Adjust temperature control in small increments, one position at a time.

⚠ CAUTION

Allow 24 hours between temperature control adjustments. Excessive tampering with temperature control could lead to service difficulties.

NOTE: For operation above 3,000-ft altitude, thermostat should be adjusted by a qualified service technician.

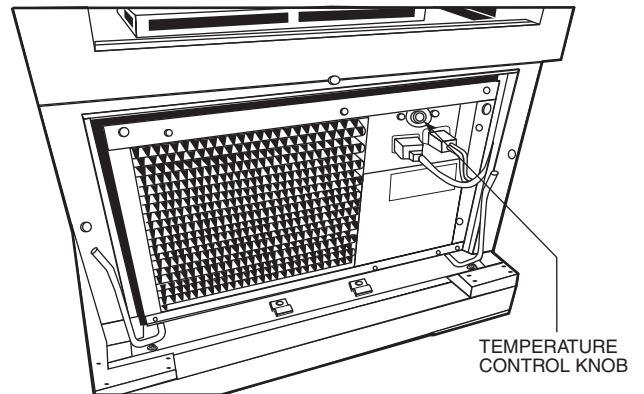


FIGURE 9 — TEMPERATURE CONTROL KNOB

REFRIGERATION SYSTEM SERVICE

COMPONENTS

The Carrier Miracool™ refrigeration system consists of a hermetically sealed compressor and finned evaporator and condenser coils.

■ **CONDENSER** — The condenser has wide finned spaces, which allow more air passage with less dirt or dust accumulation. The condenser still requires periodic cleaning for maximum efficiency.

■ **CONDENSER FAN MOTOR** — The condenser fan motor assembly is mounted between the condenser and the compressor. Air is drawn through the condenser, over the body of the compressor and out the rear of the unit compartment.

The motor is wired to cycle with the compressor but will continue to operate should the compressor cut out on the overload. (The motor is permanently lubricated; therefore, oiling is not required.)

■ **DRIER** — The drier is installed in the system just before the capillary tube. The drier traps minute particles of foreign material and absorbs any moisture in the system.

■ **LIQUID CONTROL AND HEAT EXCHANGER** — Liquid refrigerant control to the evaporator of the system is accomplished by the use of a capillary tube. This capillary tube is soldered to the suction line to form a heat exchanger, which subcools the liquid refrigerant to maintain high efficiency within the system.

SERVICE AND TROUBLESHOOTING

■ CARTRIDGE REMOVAL

▲ DANGER

Before servicing unit, disconnect electrical service. On sizes 1100L and 1300L, turn disconnect switch (located on power cord) to the OFF position. Failure to disconnect electrical service could result in electrical shock and cause personal injury or death.

1. After disconnecting the unit from the power supply, remove the grille retaining screw located in the upper-most part of the grille. (See Figure 1.)
2. Lift the grille up and away from the unit.
3. Unplug the power supply and lighting supply cords located in the front of the cartridge (Figure 2).
4. Using a pair of wire cutters, cut wire tie that secures lifting rods at center of front base rail. (See Figure 2.)
5. Take hold of the end of each lifting rod and rotate each approximately 90-degrees upward so that they are nominally vertical (Figure 3). The cartridge should be disengaged from the cabinet and resting on the base of the cabinet assembly. Handling holes are located on either side of the cartridge near the top and along the side of the cartridge (Figure 4). Grasp the cartridge by these holes and slide the unit forward from the cabinet until it is free. Use caution to ensure that power and electrical cords do not get pinched between the cartridge and cabinet while removing cartridge.

▲ DANGER

Before servicing unit, disconnect electrical service. On sizes 1100L and 1300L, turn disconnect switch (located on power cord) to the OFF position. Failure to disconnect electrical service could result in electrical shock and cause personal injury or death.

■ **EVAPORATOR COMPARTMENT** (Interior top area) — All serviceable parts are directly accessible from the top of the cartridge compartment.

■ **COMPRESSOR COMPARTMENT** (Bottom rear area) — Access to compressor compartment requires removal of the side panel of the cartridge. Condenser fan access also requires removal of a side panel. Side panels are secured with 5 Phillips screws. After tubing and electrical connections are removed, compressor replacement requires removal of four clips securing compressor to the base.

▲ DANGER

Before servicing unit, disconnect electrical service. On sizes 1100L and 1300L, turn disconnect switch (located on power cord) to the OFF position. Failure to disconnect electrical service could result in electrical shock and cause personal injury or death.

■ **EVACUATION** — Moisture in a refrigeration system may affect performance.

When large amounts of moisture are present, system freeze ups will occur. Even in minute amounts, moisture will combine with refrigerants to form an acid. The corrosive action of this acid forms sludge, which will plug the lines and drier.

Since most field type vacuum pumps cannot pull a low enough vacuum to remove all moisture from the system, it is recommended that the system be triple evacuated, breaking each time with dry refrigerant nitrogen. Use care to purge air from the charging hose when breaking the vacuum.

■ **CHARGING REFRIGERATION SYSTEM** — Refer to Table 2 for refrigerant type and amount of charge. Since capillary tube systems have small critical refrigerant charges, it is recommended that a field charge either be weighed in or transferred from a portable charging cylinder. After maximum vacuum has been obtained as detailed above, attach charging cylinder to the system line making sure to purge air from hose with refrigerant. With the unit running, allow refrigerant to run slowly into the system until the desired charge is reached. When using refrigerant blends it is recommended to charge into the high side of the system with the initial charge and then add any remaining charge into the suction side; however, care must be taken to meter the remaining amount into the low side so that excess liquid does not enter the compressor.

■ **TROUBLESHOOTING** — Refer to Table 3 and Figures 10-12.

TABLE 3 — REFRIGERATION SYSTEM SERVICE AND ANALYSIS CHART
(Refer to Figures 10-12 for wiring diagrams)

MALFUNCTION	POSSIBLE CAUSE	SOLUTION
Compressor Will Not Start — No Hum.	<ol style="list-style-type: none"> 1. Line cord not plugged in. 2. Power disconnect switch in OFF position. (Sizes 1100L and 1300L only.) 3. Fuse removed or blown. 4. Overload protector tripped. 5. Temperature control stuck in open position. 6. Wiring improper or loose. 	<ol style="list-style-type: none"> 1. Plug in the cord. 2. Turn disconnect switch to ON position. 3. Replace fuse. 4. Refer to electrical section. 5. Repair or replace temperature control. 6. Check wiring against diagram.
Compressor Will Not Start — Hums but Trips on Overload Protector.	<ol style="list-style-type: none"> 1. Low voltage to unit. 2. Relay failing to close. 3. Starting capacitor defective. 4. Improperly wired. 	<ol style="list-style-type: none"> 1. Determine reason and correct. 2. Determine reason and correct, replace if necessary. 3. Determine reason and replace. 4. Check wiring against diagram.
Compressor Starts but Does Not Switch Off of Start Winding.	<ol style="list-style-type: none"> 1. Low voltage to unit. 2. Relay failing to open. 3. Run capacitor defective. 4. Compressor motor winding is open or shorted. 	<ol style="list-style-type: none"> 1. Determine reason and correct. 2. Determine reason and correct; replace if necessary. 3. Determine reason and replace. 4. Determine cause, correct, and replace compressor.
Compressor Starts and Runs, but Short Cycles on Overload Protector.	<ol style="list-style-type: none"> 1. Additional current passing through overload protector. 2. Low voltage to unit. 3. Overload protector defective. 4. Run capacitor defective. 5. Excessive discharge pressure. 6. Compressor too hot — return gas hot. 	<ol style="list-style-type: none"> 1. Check wiring diagram. Check for added fan motors, pumps, etc. connected to wrong side of protector. 2. Determine reason and correct. 3. Check current, replace protector. 4. Determine reason and replace. 5. Check ventilation, restrictions in cooling medium, restrictions in refrigeration system. 6. Check refrigerant charge; fix leak if necessary. Check airflow across condenser.
Unit Runs, but Short Cycles.	<ol style="list-style-type: none"> 1. Overload protector. 2. Cold control. 3. Overcharge. 4. Air in system. 5. Undercharge. 	<ol style="list-style-type: none"> 1. Check wiring diagram for correct wiring. 2. Differential set too close. 3. Reduce refrigerant charge. 4. Recover and recharge. 5. Fix leak and recharge with refrigerant.
Unit Operates Long or Continuously.	<ol style="list-style-type: none"> 1. Dirty condenser. 2. Shortage of refrigerant. 3. Temp control contacts stuck or frozen. 4. Evaporator coil iced. 5. Restriction in refrigeration system. 	<ol style="list-style-type: none"> 1. Clean condenser. 2. Fix leak, add charge, correct charge. 3. Replace Temp control. 4. Defrost. 5. Determine location and remove.
Start Capacitor Open, Shorted or Blown.	<ol style="list-style-type: none"> 1. Relay contacts not opening properly. 2. Low voltage to unit. 3. Improper relay. 	<ol style="list-style-type: none"> 1. Replace relay. 2. Determine reason and correct. 3. Replace.
Run Capacitor Open, Shorted or Blown.	<ol style="list-style-type: none"> 1. Improper capacitor. 2. Excessively high line voltage (110% of rated max). 	<ol style="list-style-type: none"> 1. Determine correct size and replace. 2. Determine reason and correct.
Relay Defective or Burned Out.	<ol style="list-style-type: none"> 1. Incorrect relay. 2. Line voltage too high or too low. 3. Relay being influenced by loose vibrating mounting. 	<ol style="list-style-type: none"> 1. Check and replace. 2. Determine reason and replace. 3. Remount rigidly.
Space Temperature Too High.	<ol style="list-style-type: none"> 1. Control setting too high. 2. Overcharged with refrigerant. 3. Inadequate air circulation. 	<ol style="list-style-type: none"> 1. Reset control. 2. Recover refrigerant and recharge with proper charge specified on dataplate. 3. Improve air movement.
Cooler Freezing Beverage.	<ol style="list-style-type: none"> 1. Temperature control knob set too high. 	<ol style="list-style-type: none"> 1. Reset control.
Unit Noisy.	<ol style="list-style-type: none"> 1. Loose parts or mountings. 2. Tubing rattle. 3. Bent fan blade causing vibration. 4. Fan motor bearings worn. 	<ol style="list-style-type: none"> 1. Find and tighten. 2. Reform to be free of contact. 3. Replace blade. 4. Replace motor.

NOTE: All servicing must comply with state and federal regulations.

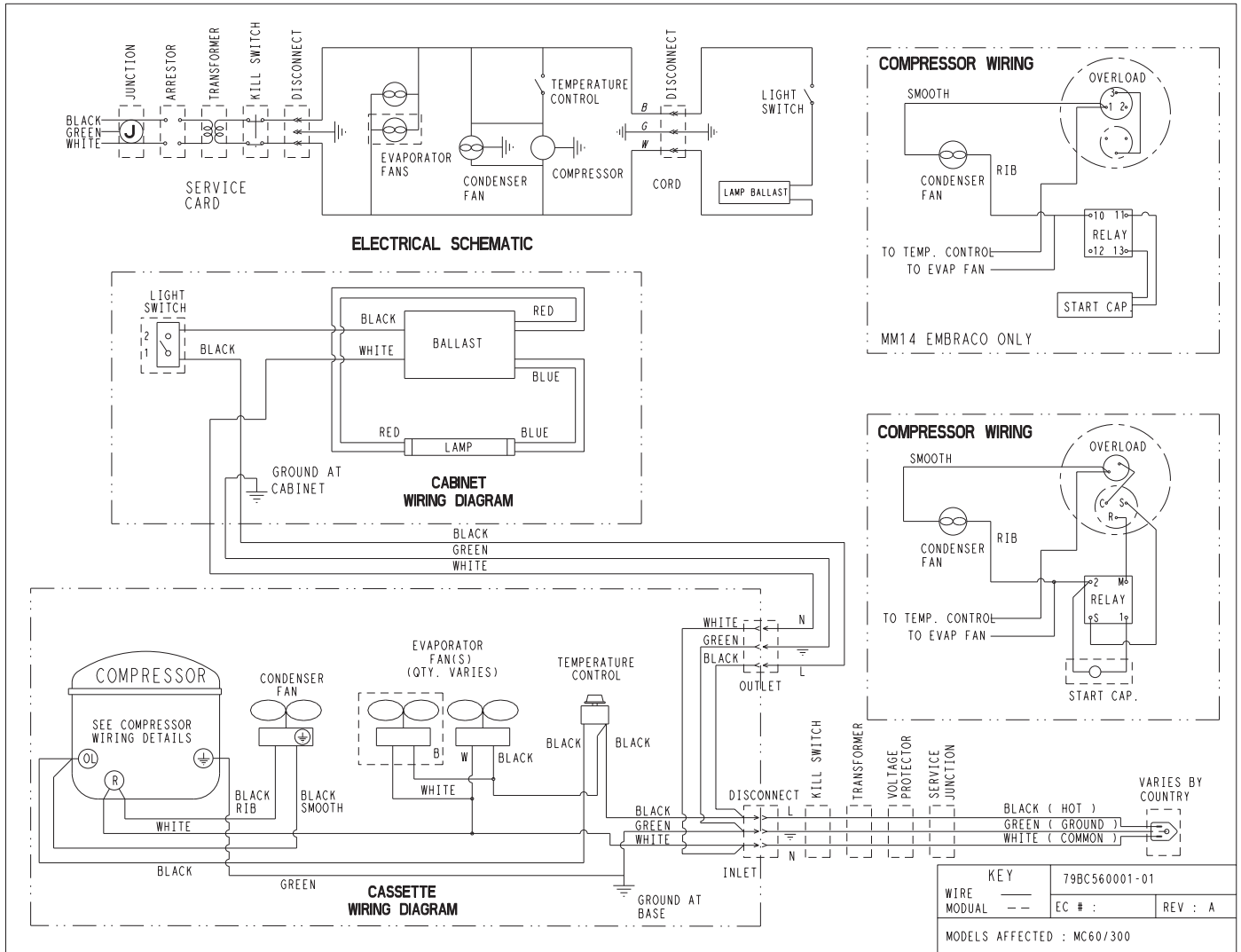


FIGURE 10 — WIRING DIAGRAM, SIZES 260L, 300L

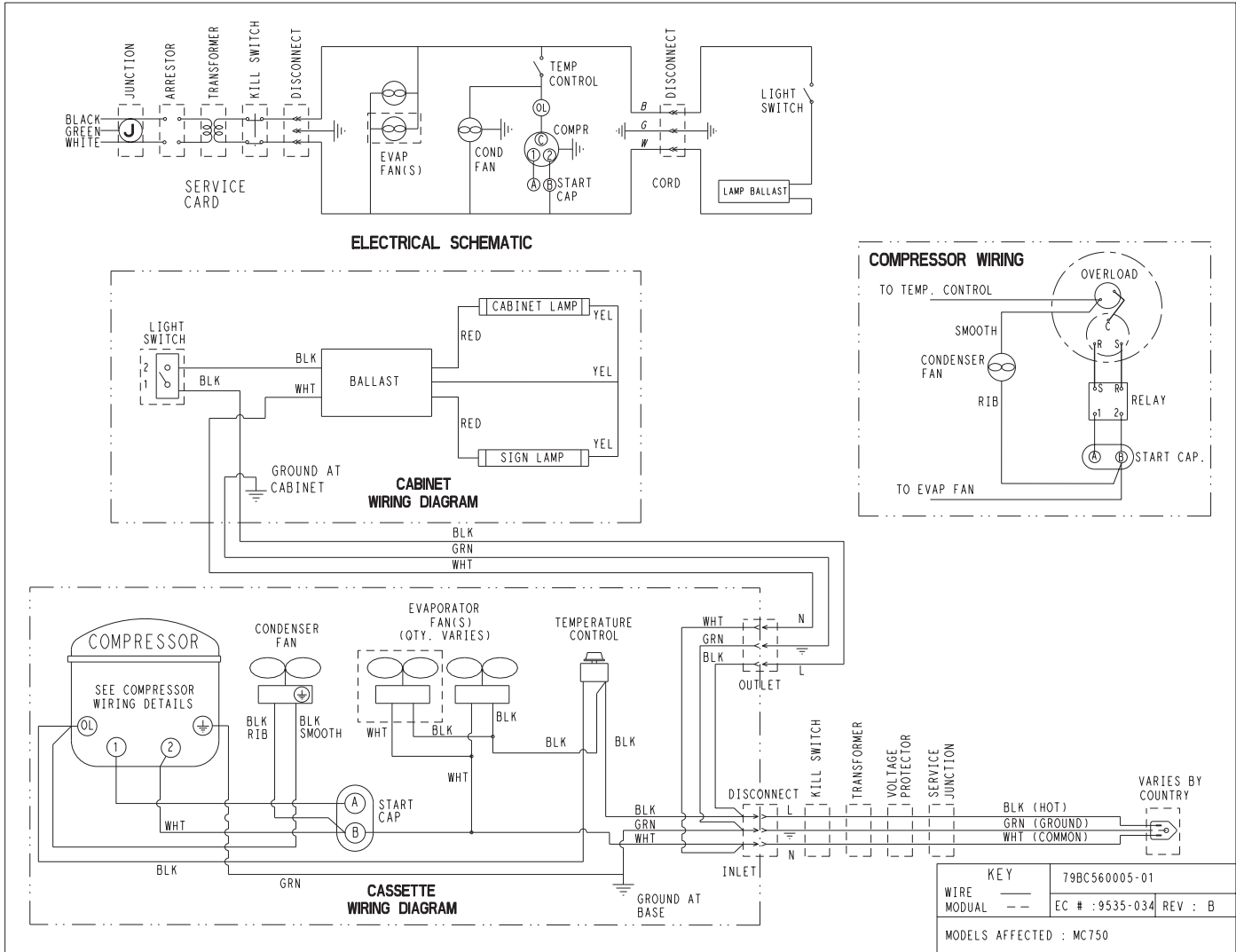


FIGURE 11 — WIRING DIAGRAM, SIZE 750L

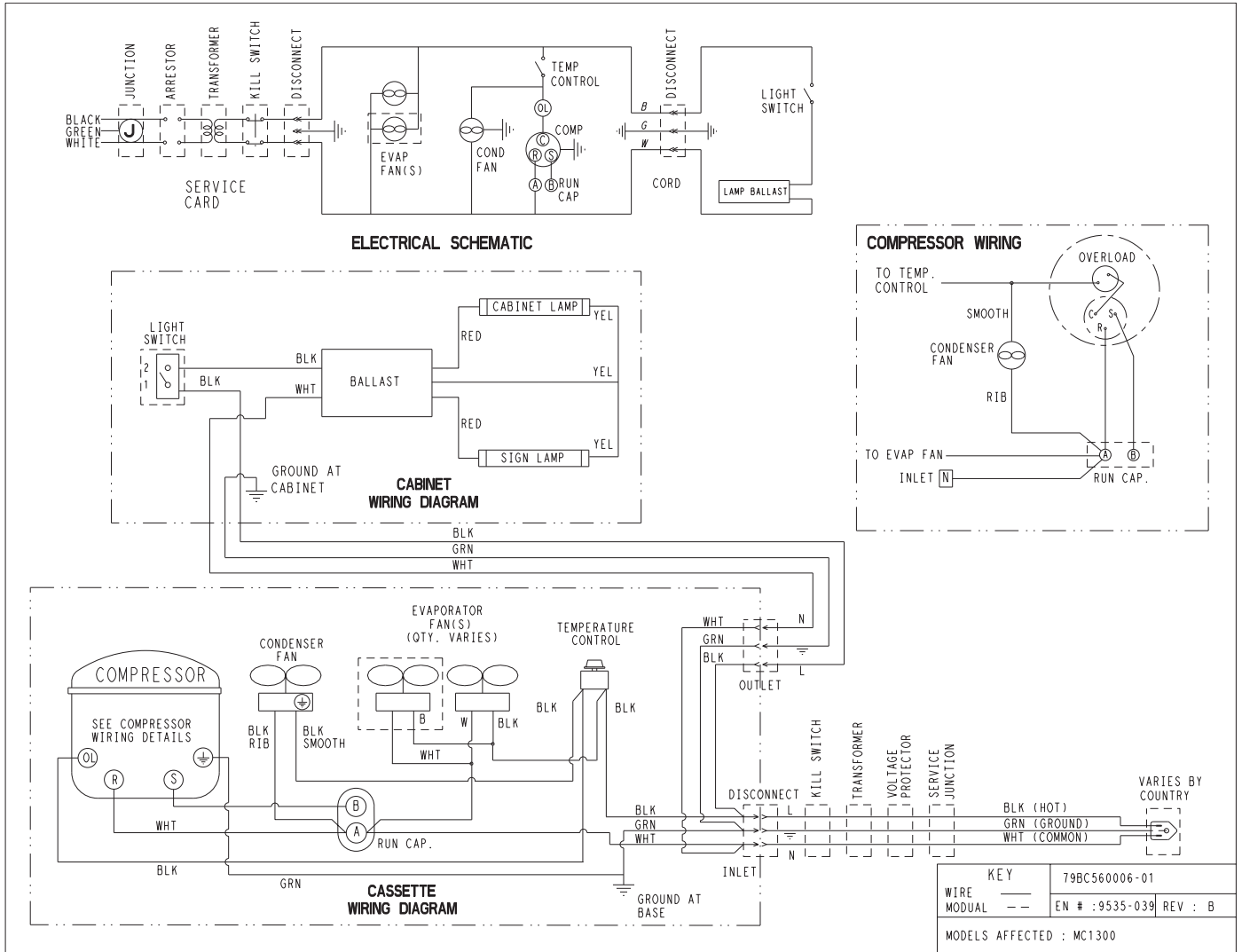


FIGURE 12 — WIRING DIAGRAM, SIZES 1100L, 1300L

MAINTENANCE

LAMP REPLACEMENT

⚠ DANGER

Before proceeding with replacement, disconnect electrical service. Failure to unplug unit could result in serious personal injury or death.

Remove lamp by rotating lamp 90 degrees to align lamp pins with holder slots. Refer to Bi-Pin Fluorescent lamp Installation/Verification section on page 6.

CONDENSATE REMOVAL

The evaporator drain pan is located in the base of the cartridge. In general, the condensate disposal system is maintenance free.

CONDENSER

The condenser should be inspected periodically for accumulation of debris, which should be removed. A vacuum cleaner or brush can be used to remove debris.

CABINET EXTERIOR

Cabinets should be cleaned with a solution of mild soap and water or mild household cleaner. Do not use caustic soap or abrasive cleaners, since these might damage the cabinet finish. If stainless steel surface becomes discolored, scrub by rubbing only in direction of the finish grain. Do not use steel wool or rusting may occur. Refer to Table 4.

INTERIOR SURFACE

The inside of the cabinet is coated with baked-on epoxy. To clean, use a mild soap and water solution or mild household cleaner.

TABLE 4 — METHODS FOR CLEANING STAINLESS STEEL

TASK	CLEANING AGENT*	METHOD OF APPLICATION†	EFFECT ON FINISH
Routine Cleaning	Soap, ammonia or detergent and water	Sponge with cloth, then rinse with clear water and wipe dry.	Satisfactory for use on all finishes.
Stubborn Spots and Stains, Caked-on Splatter, and other Light Discolorations	Revere Ware, Goddard's, Twinkle, or Cameo stainless steel cleaner or Soft Scrub cleaner	Apply with damp sponge or cloth. Rub with damp cloth.	Satisfactory for use on all finishes if rubbing is light. Use in direction of polish lines.
	Household cleansers, such as Old Dutch, Bon Ami, Ajax, Comet	Rub with a damp cloth. May contain chlorine bleaches. Rinse thoroughly after use.	Use in direction of polish lines. May scratch or dull highly polished finishes.
Heat Tint or Heavy Discoloration	Revere Ware or Goddard's stainless steel cleaner	Apply with damp sponge or cloth.	Use in direction of polish lines. May scratch or dull highly polished finishes.
Caked-on Foods and Grease, Fatty Acids Milkstone (where swabbing or rubbing is not practical)	Easy-Off oven cleaner	Apply generous coating. Allow to stand for 10 to 15 minutes. Rinse. Repeated application may be necessary.	Excellent removal. Satisfactory for use on all finishes.
Hard Water Spots and Scale	Vinegar	Swab or wipe with cloth. Rinse with water and dry.	Satisfactory for use on all finishes.

*Use of brand names is intended only to indicate a type of cleaner and does not constitute an endorsement; nor does the omission of any brand name cleaner imply its inadequacy. Many products named are regional in distribution and can be found in local supermarkets, department and hardware stores.

†All products should be used in strict accordance with instructions on package.

NOTES:

1. Use the mildest cleaning procedure that will do the job efficiently and effectively.
2. Always rub in the direction of polish lines for maximum effectiveness and to avoid marring the surface.
3. Use only a soft cloth, sponge, fibrous brushes, plastic or stainless steel pads for cleaning and scouring.
4. Rinse thoroughly with fresh water after every cleaning operation.
5. Always wipe dry to avoid water marks.
6. **Never use common steel wool pads; these will cause rust!**



