

FEATURED MODEL

157-070-CR BLANCOHELSEA™ Kitchen Faucet in Polished Chrome

ADDITIONAL MODELS

157-070-ST Stainless (Satin Nickel)

FEATURES

- Solid brass body
- Ceramic disc cartridge
- Reversible mounting hardware adapts to thick or thin mounting surfaces
- 2.2 G.P.M. flow rate
- Installation in a 1-3/8" hole

CODE/STANDARDS COMPLIANCE

ASME A112.18.1-2005

IAPMO Listed

WARRANTY

Blanco America's Kitchen faucets feature a "NO HASSLE" LIMITED LIFETIME WARRANTY to be free of all manufacturing defects under normal use. See our complete warranty for details.

While Blanco America endeavors to provide accurate information, all dimensions are nominal, cannot be guaranteed, and are subject to change or cancellation. Blanco America assumes no responsibility for use of superseded or voided specifications.

PRODUCT SPECIFICATION

Kitchen faucet to include solid brass body and side mounted spout. Faucet dimensions to be as follows: Reach: 9"; Spout Height: 6-3/4". Reversible mounting hardware to adapt to thick or thin mounting surfaces. Kitchen faucet to be BLANCOHELSEA™, Model 157-070-_____in_____finish.

Polished Chrome 157-070-CR

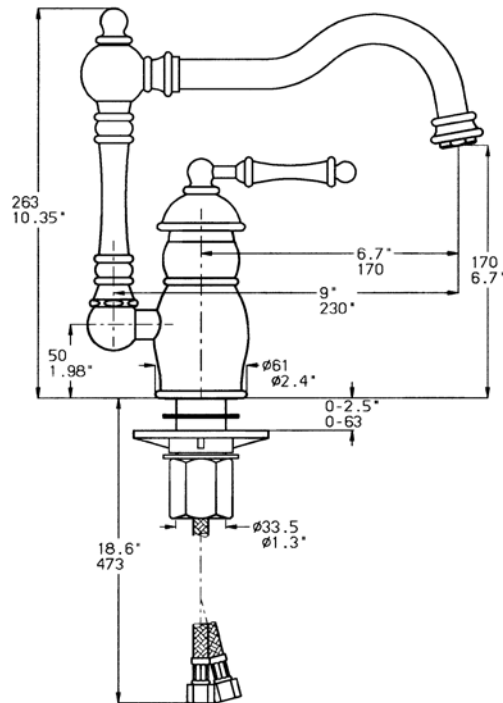
Stainless (Satin Nickel) 157-070-ST



MODEL 157-070

NOMINAL DIMENSIONS

MODEL	REACH	SPOUT HEIGHT	FAUCET HEIGHT
157-070	9	6-3/4	10-3/8



JOB INFORMATION

Job Name: _____

Contact: _____

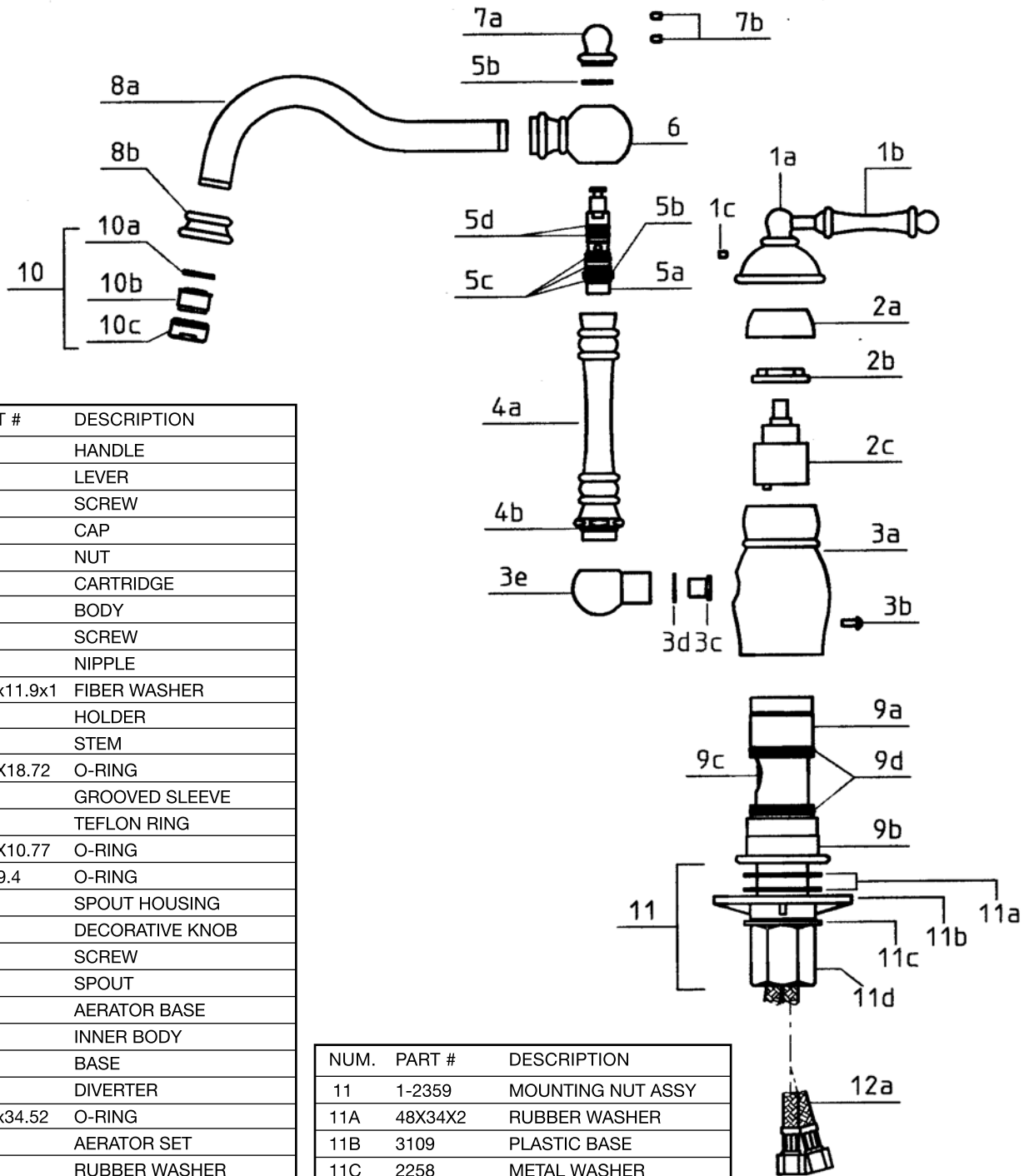
Date Specified: _____

Specifier: _____

Contractor: _____

See next page for exploded parts drawing and parts list.

BLANCO AMERICA
800.451.5782
www.blancoamerica.com



NUM.	PART #	DESCRIPTION
1A	3587	HANDLE
1B	3586	LEVER
1C	3206	SCREW
2A	3593	CAP
2B	3067	NUT
2C	3909	CARTRIDGE
3A	3591	BODY
3B	2767	SCREW
3C	3157	NIPPLE
3D	18.5x11.9x1	FIBER WASHER
3E	3063	HOLDER
4A	3592	STEM
4B	2.62X18.72	O-RING
5A	3556	GROOVED SLEEVE
5B	3785	TEFLON RING
5C	2.62X10.77	O-RING
5D	2.5X9.4	O-RING
6	3557	SPOUT HOUSING
7A	3560	DECORATIVE KNOB
7B	3206	SCREW
8A	3554	SPOUT
8B	3555	AERATOR BASE
9A	3064	INNER BODY
9B	3594	BASE
9C	2453	DIVERTER
9D	3.53x34.52	O-RING
10		AERATOR SET
10A	683	RUBBER WASHER
10B	680	SCREEN
10C	682	AERATOR RING

NUM.	PART #	DESCRIPTION
11	1-2359	MOUNTING NUT ASSY
11A	48X34X2	RUBBER WASHER
11B	3109	PLASTIC BASE
11C	2258	METAL WASHER
11D	2359	NUT
12A	2350	HOSE