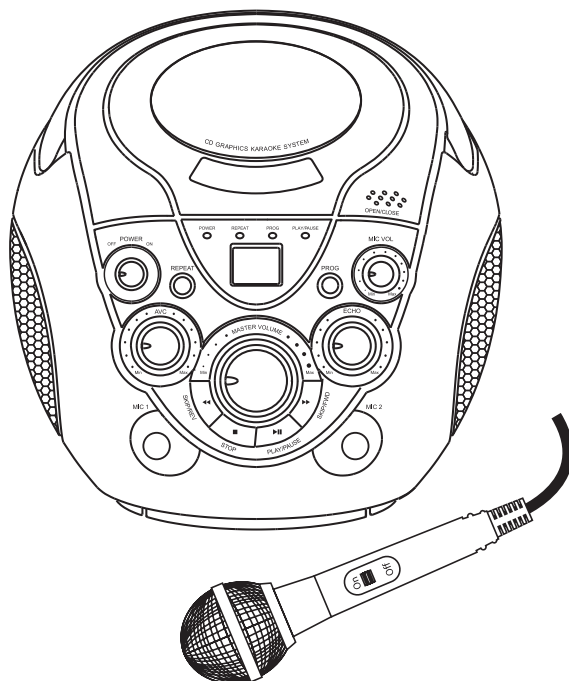


Goodmans

XB6CDG Portable CD Karaoke System User Guide



IMPORTANT: Please read all instructions carefully before use and keep for future reference

Introduction

Thank you for choosing this Goodmans Portable CD Karaoke System. Not only can you and your friends sing along to all your favourite songs, you can also view the song lyrics on your TV screen.

It's really simple to use: yet full of features with a compact design. After just a few simple instructions, you will become an expert. Before you attempt to use your Karaoke System, please read this User Guide thoroughly to familiarise yourself with all the features available and the sections of the User Guide that describe their operation.

Throughout this User Guide, the Portable CD Karaoke System will be referred to as the Karaoke System.

Safety is important

Use of any electrical equipment should be undertaken with care. Please read the safety section on page 16 before using your Karaoke System. This appliance is for household use only.



CD+G disc, also known as CD+ Graphics are audio discs which contain backing tracks and lyrics. These are specifically designed for Karaoke Systems which are designed to display on-screen lyrics.

Introduction

Key features

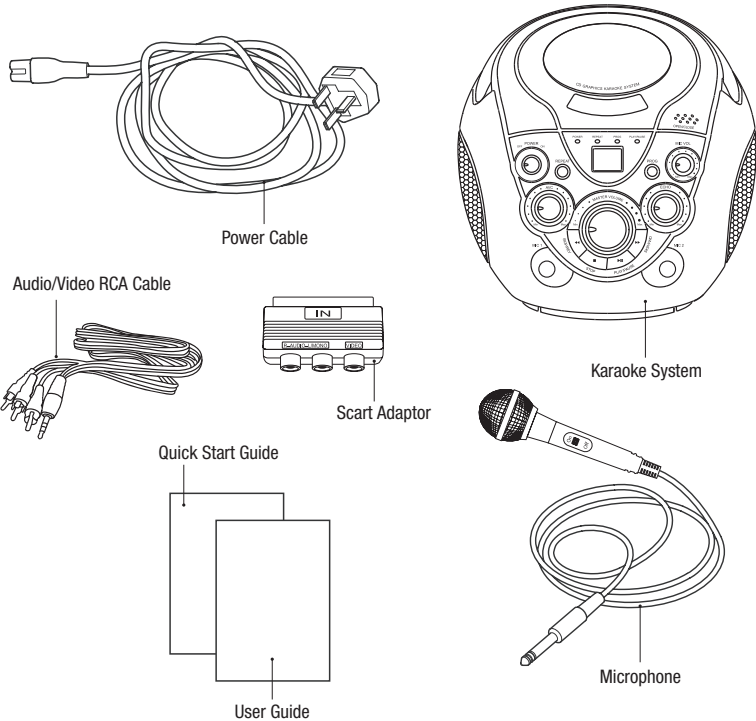
Karaoke with CD+G discs - You and your friends can sing along to all your favourite songs using CD+G discs. The Karaoke System can be connected to a TV to display on-screen lyrics. Your voice and the backing tracks will be played through either the built in speaker, or a connected Sound System/TV.

Lyrics on TV Screen - Displays the lyrics with the tempo of music when playing CD+G discs.

Auto Voice Control - Lets you replace the original singer's voice with your own voice when any prerecorded, multiplex karaoke disc is played. To activate, just rotate the MIC VOLUME DIAL to a comfortable listening level, and the AVC DIAL for the best balance between playback and microphone levels.

Echo Control - Lets you add an echo to enrich your voice for a concert hall effect.

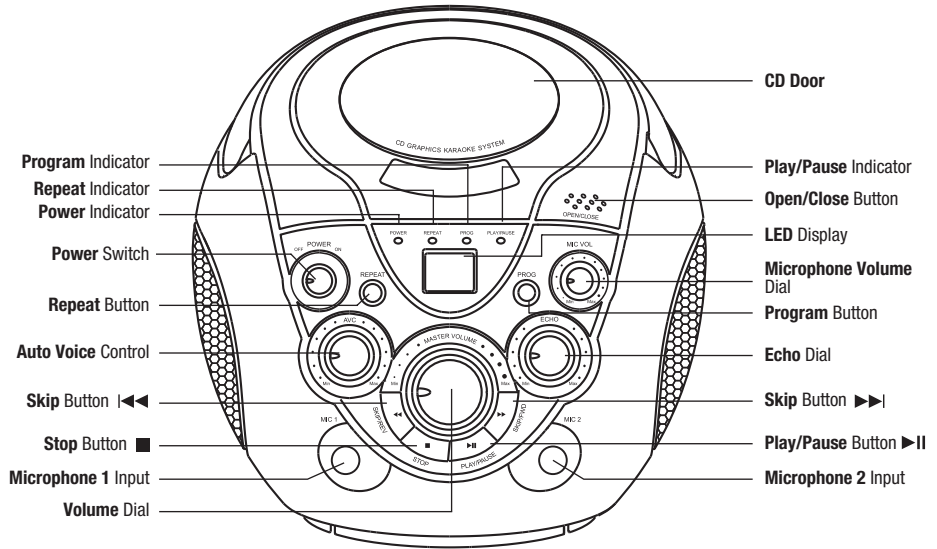
What's in the box?



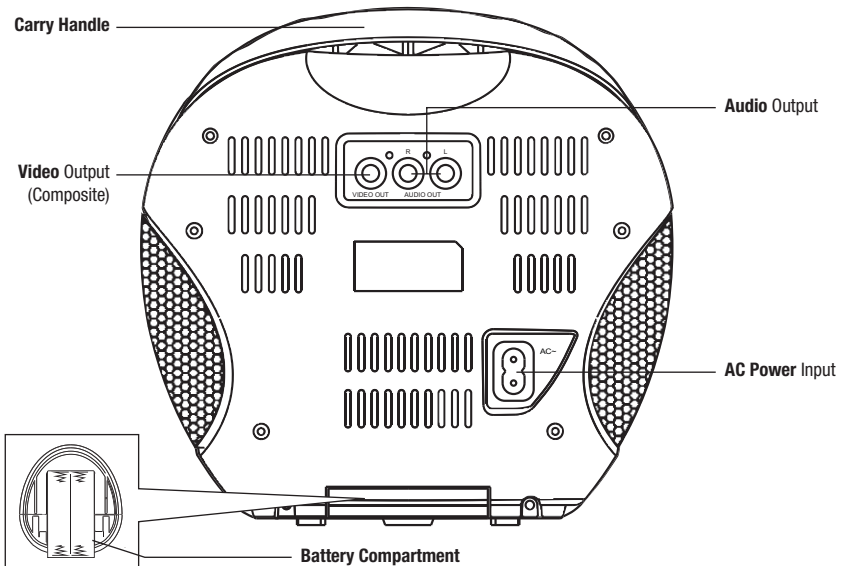
Contents

| | | | |
|-------------------------------------|----|---------------------------------------|----|
| 01 Your Karaoke System | 5 | 06 Specification | 15 |
| 02 Getting Started..... | 6 | 07 Warnings..... | 16 |
| 03 Daily Use..... | 8 | 08 Electrical Information..... | 18 |
| 04 CD+G Playback | 10 | 09 Guarantee | 19 |
| 05 Troubleshooting..... | 12 | | |

Front view



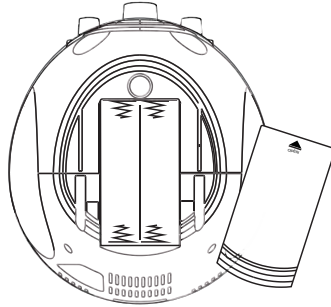
Rear view



02 Getting started

1 Power the Karaoke System using batteries

The Karaoke System can be powered using eight 'C' type batteries. Insert eight batteries (not supplied) into the Battery Compartment at the bottom of the Karaoke System observing the polarity markings on the base of the Battery Compartment.



DON'T FORGET! When replacing the batteries make sure that you use the same size and type.

2 Connecting to external devices

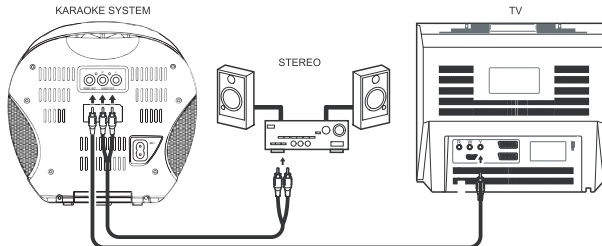
The Karaoke System can be connected to either the TV or a Stereo Sound System using the supplied RCA Cables.

To connect the Karaoke System to a TV only, follow the instructions provided in the Quick Start Guide.

To connect the Karaoke System to a TV and Stereo Sound System:

Use the Yellow RCA Cable to connect the TV and Karaoke System.

Use the Red and White RCA Cable to connect the Stereo Sound System and Karaoke System.



3

Setting up the Karaoke System

Plug the Microphone Jack into the MIC 1 Socket on the front of the Karaoke System.

Connect the Karaoke System to your TV using the Supplied RCA Cables (use the supplied SCART adaptor if required).

Turn your TV ON and select the AV source.

Connect the Power Cable to the Power Socket on the rear of the Karaoke System.

Insert the Power Cable Plug into the wall socket and switch the socket On.

Load a CD+G disc onto the central spindle.

Rotate the **POWER** switch to turn the Karaoke System On.

Switching ON

- 1 To turn the Karaoke System On, Rotate the **POWER** switch to the **ON** position.
- 2 To turn the Karaoke System Off, Rotate the **POWER** switch to the **OFF** position.

Using the microphone

Up to two Microphones can be used with the Karaoke System.

DON'T FORGET! Only one microphone is supplied with the Karaoke System.

- 1 Insert the Microphone Jack into the MIC 1 or MIC 2 socket on the front of the Karaoke System.
- 2 Slide the Microphone Power Switch to the ON position. The microphone is now On and ready to use.

DON'T FORGET! If the RCA Cable is connected between the Karaoke System and a TV, the backing track will play through the TV speakers.

Adjusting the master volume

- 1 To increase the master volume, rotate the **MASTER VOLUME DIAL** on the front of the Karaoke System clockwise.
- 2 To decrease the master volume, rotate the **MASTER VOLUME DIAL** on the front of the Karaoke System anticlockwise.

Adjusting the microphone volume

- 1 To increase the Microphone volume, rotate the **MIC VOLUME DIAL** on the front of the Karaoke System clockwise.
- 2 To decrease the Microphone volume, rotate the **MIC VOLUME DIAL** on the front of the Karaoke System anticlockwise.

Adjusting the echo effect

An echo effect can be added to your voice while you sing. The amount of echo can be adjusted using the **ECHO DIAL**.

- 1 To increase the echo, rotate the **ECHO DIAL** on the front of the Karaoke System clockwise.
- 2 To decrease the echo, rotate the **ECHO DIAL** on the front of the Karaoke System anticlockwise.

Cutting Backing Vocals while you Sing

The Karaoke System allows you to reduce or turn off the vocals of the backing track while you sing.

- ① To turn off the vocals of the backing track while you sing, rotate the **AVC DIAL** on the front of the Karaoke System clockwise.

Whenever you sing, the vocals of the backing track will temporarily stop. When you stop singing, the backing vocals will be heard again.

- ② To keep the vocals of the backing track while you sing, rotate the **AVC DIAL** on the front of the Karaoke System anticlockwise to minimum setting.

Whenever you sing, the volume of backing track vocals will be reduced. When you stop singing, the volume of the backing vocals will return to normal.

DON'T FORGET! The AVC function only works when using a prerecorded, multiplex karaoke disc.

Playing CD+G discs

Loading discs

- ❶ Rotate the **POWER** switch to the **ON** position to turn on the Karaoke System.
- ❷ Press the top right hand corner of the CD Door to open.
- ❸ Insert the CD+G Disc into the CD Compartment with the label facing outwards.
- ❹ Close the CD Door.
- ❺ When closed, the Karaoke System starts to spin the disc.
- ❻ The LED Display will show the total number of tracks on the CD+G.

Playback

- ❶ Press the ►/|| button to begin playback. The backing track will begin to play and the lyrics will appear on the TV screen if connected.
- ❷ Press the ►/|| button again to pause playback. The Play/Pause indicator will flash on the LED Display.
- ❸ Press the ►► button to skip to the next track.

DON'T FORGET! If you are on the last track of the disc, the Karaoke System will return to the first track.

- ❹ Press the ◀◀ button to skip to the previous track.
- ❺ Press the ■ button to stop playback.

Repeat play

You can repeat a single track or all the tracks on the CD+G disc.

Repeating a single track

- ❶ To repeat a single track, press the **REPEAT** button once. The Repeat indicator on the LED Display will begin to flash.
- ❷ The track will be played continuously until the ■ button is pressed.
- ❸ To cancel the repeat function, press the **REPEAT** button continuously until the Repeat Indicator on the LED Display is no longer lit.

Repeating the entire CD

- ❶ To repeat all tracks, press the **REPEAT** button twice. The Repeat indicator on the LED Display will be lit.
- ❷ The entire disc will be played continuously until the ■ button is pressed.
- ❸ To cancel the repeat function, press the **REPEAT** button continuously until the Repeat Indicator on the LED Display is no longer lit.

Programming tracks

You can programme the Karaoke System to play up to a total of 20 tracks in any desired order. You can also programme the same track to play several times within a programme sequence.

- ❶ While the Karaoke System is in playback mode, press the ■ button to stop playback.

- 2 Press the **PROG** button. The Prog indicator will begin to flash and the number 1 will momentarily appear on the LED Display. This indicates that you can programme the first track.
- 3 Select the first track using the ►► and ◀◀ buttons.
- 4 Press the **PROG** button on the Karaoke System. The number 2 will momentarily appear on the LED Display. This indicates that you can programme the second track.
- 5 Select the second track using the ►► and ◀◀ buttons.
- 6 Repeat steps 4 and 5 until all the tracks have been programmed.
- 7 Press the ►/|| button to begin playback. The backing track will begin to play and the lyrics will appear on the TV screen if connected.

DON'T FORGET! Playback will stop after all the programmed tracks have been played.

- 8 To replay the programmed tracks, press the **PROG** button followed by the ►/|| button.
- 9 To cancel the programmed sequence from the memory, press the ■ button during playback.

Audio CD playback

Compatible disc types

The Karaoke System supports playback of following types of CD:

- CD+G compact Disc
- 8cm/12cm Compact Disc Audio Discs
- 12cm Compact Disc Recordable Discs
- 12cm Compact Disc Re-Writable Discs



Playback

- 1 Press the ►/|| button to begin playback. The first track will begin to play.
- 2 Press the ►/|| button again to pause playback. The Play/Pause indicator will flash on the LED Display.
- 3 Press the ►► button to skip to the next track.

DON'T FORGET! If you are on the last track of the disc, the Karaoke System will return to the first track.

- 4 Press the ◀◀ button to skip to the previous track.
- 5 Press and hold the ►► button to fast forward within the current track.
- 6 Press and hold the ◀◀ button to fast rewind the current track.
- 7 Press the ■ button to stop playback.

General

| Problem | Possible Cause | What to do |
|---|---|--|
| No Power | <ol style="list-style-type: none"> 1. The plug is not plugged into the wall socket. 2. The wall socket is not turned on. | <ol style="list-style-type: none"> 1. Ensure the plug is plugged into the wall socket. 2. Turn on the power at the wall socket. |
| No sound is heard | <ol style="list-style-type: none"> 1. The volume is on the minimum setting. | <ol style="list-style-type: none"> 1. Increase the master volume. |
| There is no sound from the Karaoke System when playing CD+G discs | <ol style="list-style-type: none"> 1. The POWER switch is not in the ON position. 2. The CD+G disc is inserted incorrectly. 3. The master volume is on the minimum setting. | <ol style="list-style-type: none"> 1. Rotate the POWER switch to the ON position. See Picture 6 for more information in the Quick Start Guide. 2. Insert the CD+G disc correctly. See page 7 for more information. 3. Increase the master volume. |
| There is no sound when singing into the Microphone | <ol style="list-style-type: none"> 1. The Microphone is not connected to the Karaoke System. 2. The Microphone is not switched On. 3. The Microphone Volume is on the minimum setting. | <ol style="list-style-type: none"> 1. Connect the Microphone to the Karaoke System. See page 7 for more information. 2. Switch on the Microphone. 3. Increase the Microphone Volume. |

CD

| Problem | Possible Cause | What to do |
|----------------------|---|---|
| The CD does not play | <ol style="list-style-type: none"> 1. The CD is incorrectly loaded. 2. The CD is an unsupported format. 3. The CD is paused. 4. The Karaoke System is not playing CD or CD+G discs. 5. The CD is dirty or scratched. | <ol style="list-style-type: none"> 1. Ensure the CD is correctly loaded into the CD Compartment. See page 7 for more information. 2. Check the format of the CD is supported. See page 11 for more information. 3. Press the ► / button to continue playback of the CD. 4. Rotate the POWER switch to ON position. 5. Make sure the CD is not dirty or scratched. If it is dirty, clean the CD with a soft cloth. |
| CD Sound Skips | <ol style="list-style-type: none"> 1. The CD is dirty. 2. The CD is warped or scratched. | <ol style="list-style-type: none"> 1. Clean the CD with a soft cloth. 2. The CD should be replaced. |

Karaoke

| Problem | Possible Cause | What to do |
|---|--|--|
| Some vocals are still present when AUTO VOICE CONTROL is on the minimum setting | 1. Backup vocals are supposed to be included. | 1. This is normal, only the main vocal(s) will be reduced. |
| Feedback is heard when singing | 1. Microphone is too close to unit or the microphone volume is too high. | 1. Move the microphone away from unit or decrease the microphone volume. |
| No song lyrics appear on the TV screen | 1. Using a non-CD+G disc. 2. Video cable is not connected properly to the TV. 3. AV source on your TV is not selected. | 1. Use a CD+G disc. 2. Connect the video cable (Yellow) to the Karaoke System VIDEO OUT and to the TV VIDEO IN. 3. Turn your TV ON and select the AV source. |

Need extra help?

Don't worry we are just at the other end of the phone. If you are experiencing problems using your new product, before returning it to the retailer, just call **0871 230 1777**.

Need a spare part?

In the unlikely event of you needing spare parts, please contact our spares department on: **0871 230 0790**

Specifications

06

| | |
|---|---|
| Model Number | XB6CDG |
| Power Supply | 230V AC 50Hz 12V DC (8 x 1.5V "C" size batteries) (not included) Alkaline is recommended for longer life |
| Power Consumption: Off Mode Operating | 0.5W 15W |
| Frequency Response | 100 - 10,000 Hz (+/- 3db) |
| Power Output | 1W x 2 (10% THD) |
| Speaker | 3" 4 ohms |
| Microphone | 60 dB 600 ohms impedance with 6.3mm dynamic microphone |
| Unit Dimensions | 241 (D) x 210 (W) x 192 (H) mm |
| Unit Weight | 1.5 kgs |

WEEE

This appliance is labelled in accordance with European Directive 2002/96/EG concerning used electrical and electronic appliances (Waste Electrical and Electronic Equipment - WEEE). The guideline determines the framework for the return and recycling of used appliances.

Sound levels

Your hearing is very important to you and to us, so please take care when using this Karaoke System. It is strongly recommended that you follow the listed guidelines in order to prevent possible damage or loss of hearing.

Establish a safe sound level

Over time your hearing will adapt to continuous loud sounds and will give the impression that the volume has in fact been reduced. What seems normal to you may in fact be harmful. To guard against this **before your hearing adapts**, set the volume to a low level.

Slowly increase the level until you can hear comfortably and clearly and without distortion. Damage to your hearing is accumulative and is irreversible. Any ringing or discomfort in the ears indicates that the volume is too loud.

Once you have established a comfortable listening level, **do not increase the sound level**.

General safety

This Karaoke System has been designed and manufactured to meet European safety standards, but like any electrical equipment, care must be taken if you are to obtain the best results and safety is to be assured.

Do read these operating instructions before you attempt to use the Karaoke System.

Do ensure that all electrical connections (including the mains plug, extension leads and interconnections between pieces of equipment) are properly made in accordance with the manufacturer's instructions.

Switch off and remove the mains plug when making or changing any connections.

Do consult your dealer if you are ever in doubt about the installation, operation or safety of your Karaoke System.

Don't continue to operate the Karaoke System if you are ever in doubt about it working normally, or if it is damaged in any way. Switch it off, withdraw the plug from the mains and consult your dealer.

Don't remove any fixed covers as this may expose you to dangerous voltages.

Don't leave the Karaoke System switched On when it is unattended for long periods of time, unless it is specifically stated that it is designed for unattended operation or has a standby mode.

Warnings

07

Make sure that other people in your household are conversant with the Karaoke System.

Don't obstruct the ventilation vents on the Karaoke System, for example with curtains or soft furnishings.

Don't allow electrical equipment to be exposed to rain or moisture.

Store the Karaoke System in a clean, dry environment.

Do not use any cleaning solutions on the Karaoke System.


The mains lead supplied with this Karaoke System is fitted with a BS1363/A 13 amp plug. If it is not suitable for your supply sockets it must be removed and replaced with an appropriate plug. If the plug becomes damaged and/or needs to be replaced please follow the wiring instructions below. The plug removed should be disposed of immediately. It must not be plugged into a supply socket as this will be an electrical hazard. If the fuse needs to be replaced it must be of the same rating and ASTA approved to BS1362. If the plug is changed, a fuse of the appropriate rating must be fitted in the plug, adapter or at the distribution board. If the fuse in a moulded plug is replaced, the fuse cover must be refitted before the appliance can be used.

Wiring instructions

The supply cable will be either 2-core or 3-core. Follow the appropriate wiring instructions given below. In both cases ensure that the outer sheath of the cable is firmly held by the cable clamp.

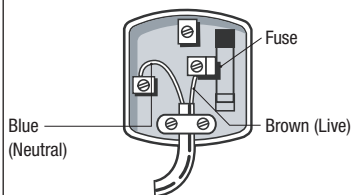
2- Core plug

⚠ WARNING: Do not connect either wire to the earth terminal.

 This symbol indicates that this 2-core appliance is Class II and does not require an earth connection.

The wire coloured blue must be connected to the terminal marked with the letter N or coloured black.

The wire coloured brown must be connected to the terminal marked with the letter L or coloured red.



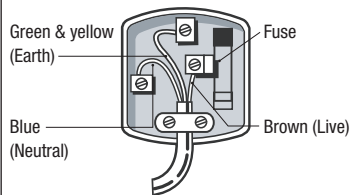
3- Core plug

⚠ WARNING: This appliance must be earthed.

The wire coloured green and yellow must be connected to the terminal marked with the letter E, or by the earth symbol , or coloured green or green and yellow.

The wire coloured blue must be connected to the terminal marked with the letter N or coloured black.

The wire coloured brown must be connected to the terminal marked with the letter L or coloured red.



The Karaoke System is guaranteed for twelve months from the date of original purchase. If any defect due to faulty materials or workmanship, contact the Goodmans Helpline. Have your receipt of purchase on hand.

The guarantee is subject to the following provisions:

- It is only valid within the boundaries of the country of purchase.
- The product must be correctly installed and operated in accordance with the instructions contained in this User Guide.
- The Karaoke System must be used solely for domestic purposes.
- The guarantee will be rendered invalid if the Karaoke System is re-sold or has been damaged by inexpert repair.
- The manufacturer disclaims any liability for incidental or consequential damages.
- The guarantee is in addition to, and does not diminish, your statutory or legal rights.

Goodmans

Technical Support: 0871 230 1777

Rev5-11052010 XB6CDG IB