



Buy it for looks. Buy it for life.®

Specifications

DESCRIPTION

- Handheld shower
- 69" double interlock spiral hose (metal)
- Vacuum breaker
- 30" slide bar with push button height selection
- Available in chrome, antique nickel, LifeShine® brushed nickel, oil rubbed bronze, wrought iron, pewter or antique bronze finish

FLOW

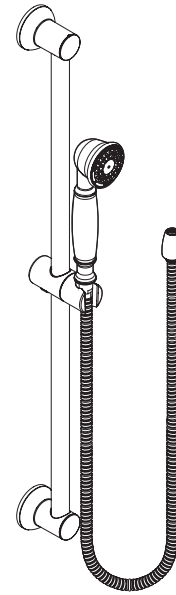
- Designed to deliver 2.5 gpm (9.5L/min) max.

STANDARDS

- Designed and manufactured to comply with the applicable requirements of: ASME A112.18.1/CSA B-125.1 and ASSE 1014 and all applicable specifications referenced therein

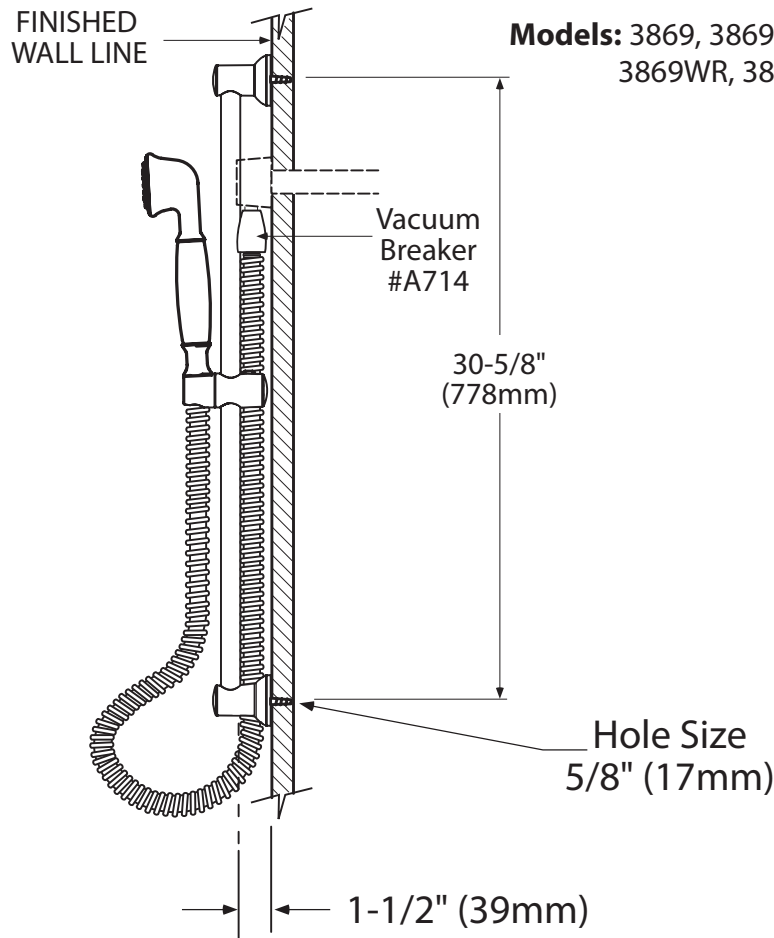
WARRANTY

- Warranted for one year against material or manufacturing defects



Single Function Handshower

Models: 3869, 3869AN, 3869BN, 3869ORB, 3869WR, 3869PW, 3869AZ



CRITICAL DIMENSIONS

(DO NOT SCALE)