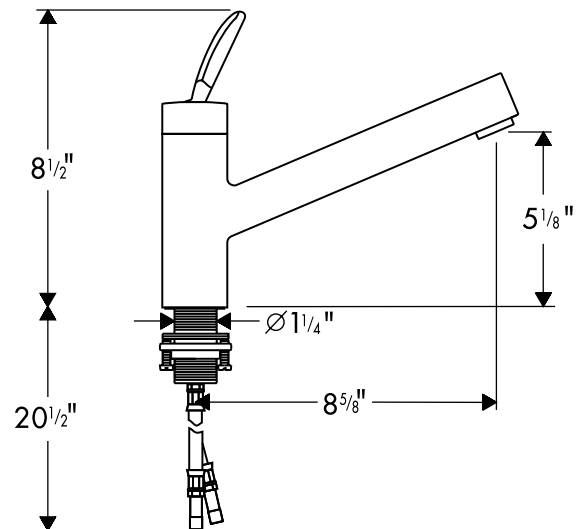
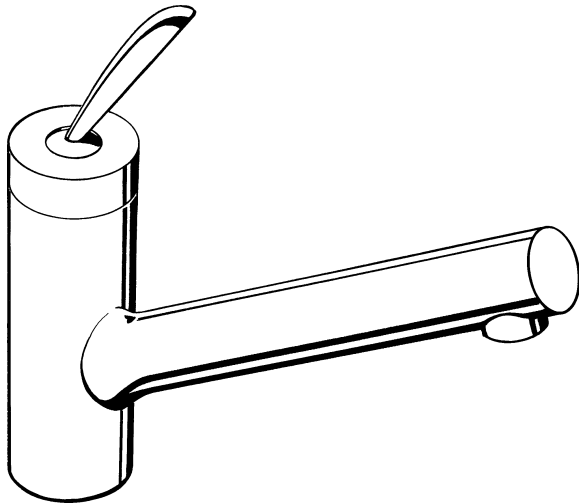


Starck Kitchen Mixer 10800XX1

available in chrome (00)



Product Specification

Solid brass body

Spout arm swivels 360°

Hole size in mounting surface

Minimum 1-1/2" Maximum 1-5/8"

Maximum mounting surface depth

2-5/8"

Flow rate

2.2 GPM

Maximum incoming water pressure

145 PSI

Recommended incoming water pressure

22 - 72.5 PSI

Recommended incoming hot water temp

120° - 140° F*

flexible 3/8" supply hoses – requires 3/8" compression fittings

*Some governing bodies require that the water heater be set to 120°F or less. Please know and follow all applicable local codes when setting the temperature on the water heater.

hansgrohe