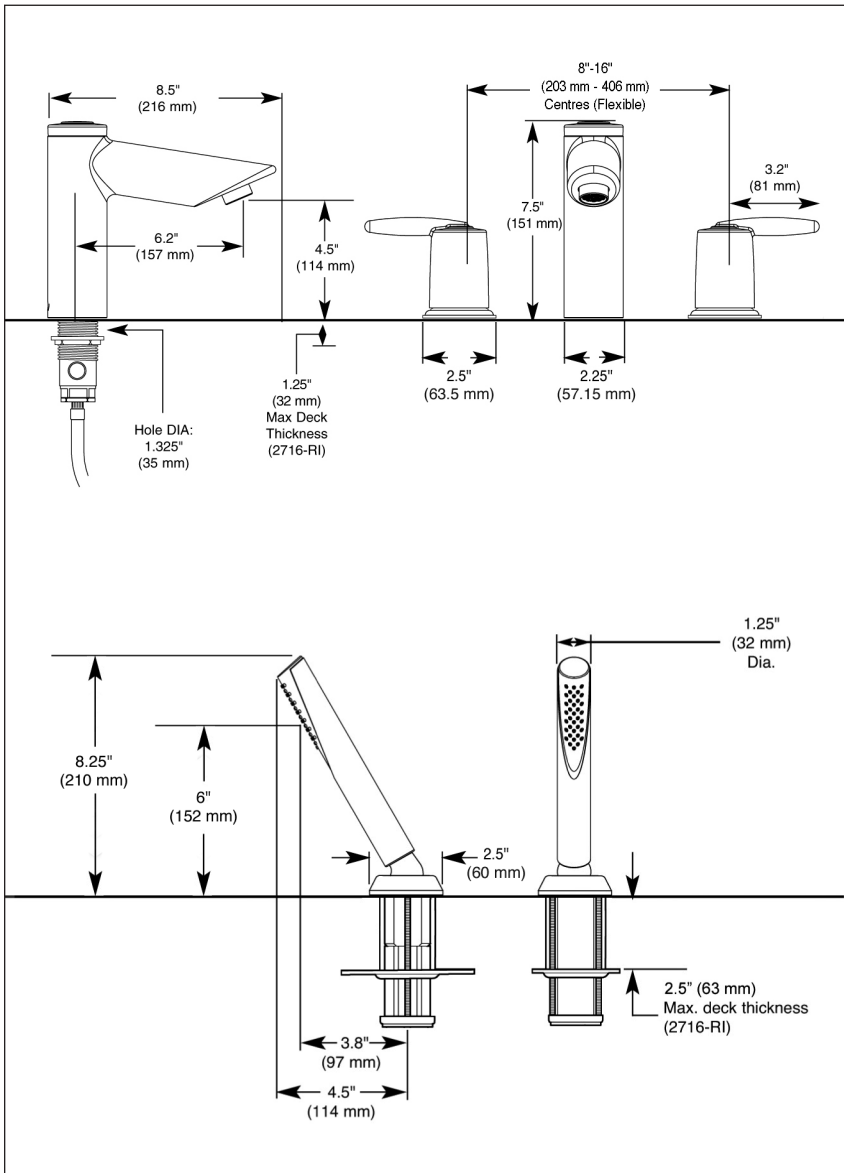


Submitted Model No.: \_\_\_\_\_

Specific Features: \_\_\_\_\_



## ROMAN TUB/ WHIRLPOOL FAUCET TRIM

- Grail® Series
- Two Handle Non-Diverter  
Roman Tub Trim, 3 hole installation
- Two Handle Diverter  
Roman Tub Trim with Hand Held  
Shower, 4 hole installation
- Flexible deck or ledge mount
- Temperatures and volume controlled  
with handles

### STANDARD SPECIFICATIONS:

- Washerless.
- 3 hole non-diverter installation (T2785).
- 4 hole diverter installation (T4785).
- Solid brass spout body.
- Control mechanism shall be of the rotating cylinder type with stainless steel plate and 180° rotation, with stainless steel sockets.
- Hot and cold stems are interchangeable.
- Temperature and volume controlled with handles.
- All operating parts shall be replaceable from the top.
- 6.2" (157 mm) long reach on spout.
- Rough-In kit must also be ordered to complete installation. There are separate specification sheets on each rough-in kit if more details are required.

### WARRANTY

- Lifetime Faucet and Finish Limited Warranty to the original consumer purchaser to be free from defects in material and workmanship.
- 5 Year Limited Warranty for usage in all industrial, commercial and business applications.

### COMPLIES WITH:

- CSA Certified
- Complies to ANSI/ASME Standard A112.18.1M/CSA B125.1
- ADA Compliant and meets Handicapped Accessibility. Standards ANSI 117.1



55 E. 111th Street, Indianapolis, Indiana 46280  
395 Matheson Blvd. E., Mississauga, ON L4Z 2H2  
© 2007 Masco Corporation of Indiana

Delta reserves the right (1) to make changes in specifications and materials, and (2) to change or discontinue models, both without notice or obligation. Dimensions are for reference only. See current full-line price book or [www.specselect.com](http://www.specselect.com) for finish options and product availability.

DSP-B-T2785 Rev. B

3.D.23