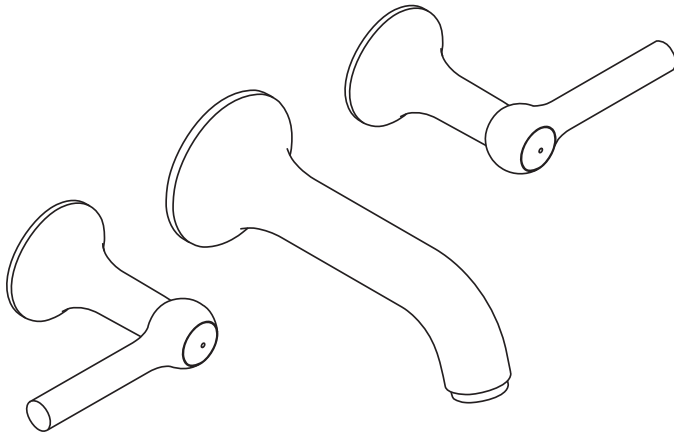


Axor Terrano Widespread Lavatory Faucet

37315XX1



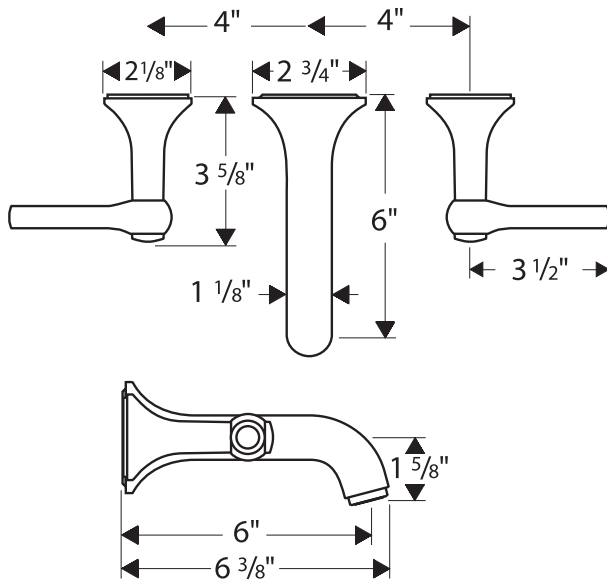
Product Features

- Wall mounted
- Lever handles
- Ceramic cartridges
- 6" spout
- Flow rate 2.2 gpm

Code Compliance

This unit meets or exceeds the following:

- ASME A112.18.1
- CSA B125.1
- Listed by IAPMO
- Approved for use in Massachusetts
- ADA compliant



Available Finishes

Chrome	37315001
Brushed Nickel	37315821

Required Accessories

Rough valve	10303181
-------------	----------

Optional Accessories

Grid drain	06400XX0
------------	----------

The measurements shown are for reference only.

Products and specifications shown are subject to change without notice.

Specification sheet revised 3/2008