

American Standard

MONTERREY

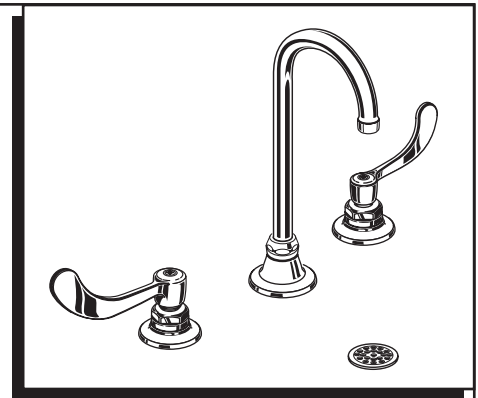
**SPREAD LAVATORY  
FAUCETS**

*Thank you for selecting American-Standard...  
the benchmark of fine quality for over 100 years.*

*To ensure that your installation proceeds smoothly—  
please read these instructions carefully before you begin.*

## Installation Instructions

6540.140  
6540.170  
6542.140  
6542.170  
6542.145  
6540.175  
6542.175



Certified to comply with ANSI A112.18.1M  
M968508 REV. 1.3

### Recommended tools



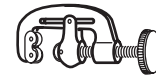
Screwdriver



Channel Locks



Adjustable Wrench



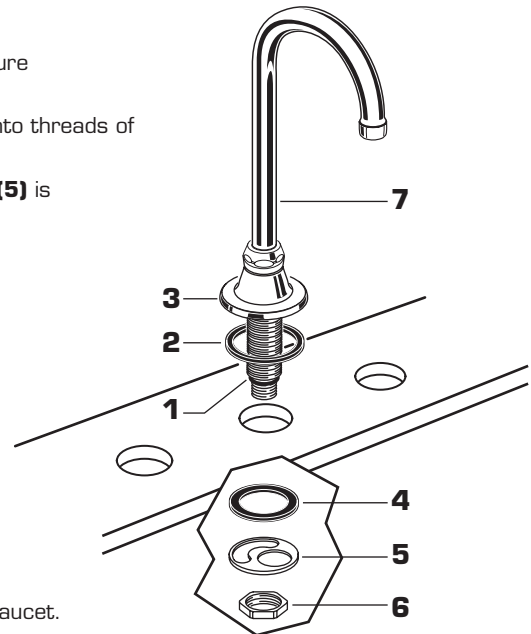
Tubing Cutter

## 1 SPOUT OR BASE ASSEMBLY

**CAUTION**

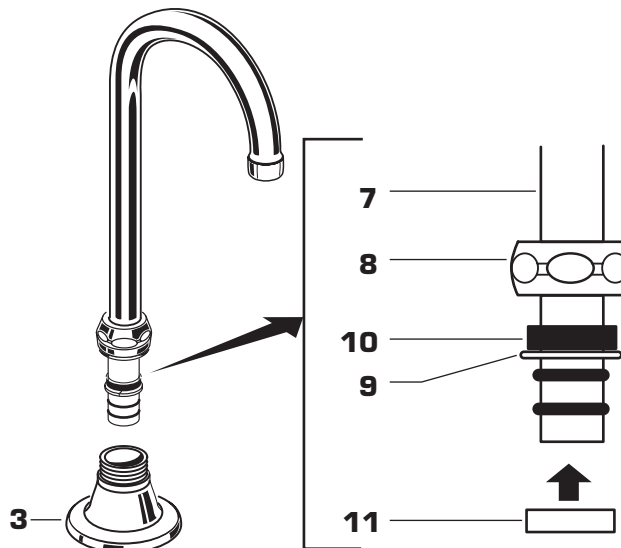
Turn off water at  
main supply.

- Insert SPOUT SHANK (1) through center hole of mounting surface, making sure RUBBER GASKET (2) is properly positioned in SPOUT BASE (3).
- Assemble RUBBER WASHER (4), BRASS WASHER (5), and LOCKNUT (6) onto threads of SPOUT SHANK (1) from underside of mounting surface.
- Align SPOUT (7) and tighten LOCKNUT (6). Be sure slot in BRASS WASHER (5) is positioned to the rear as shown.



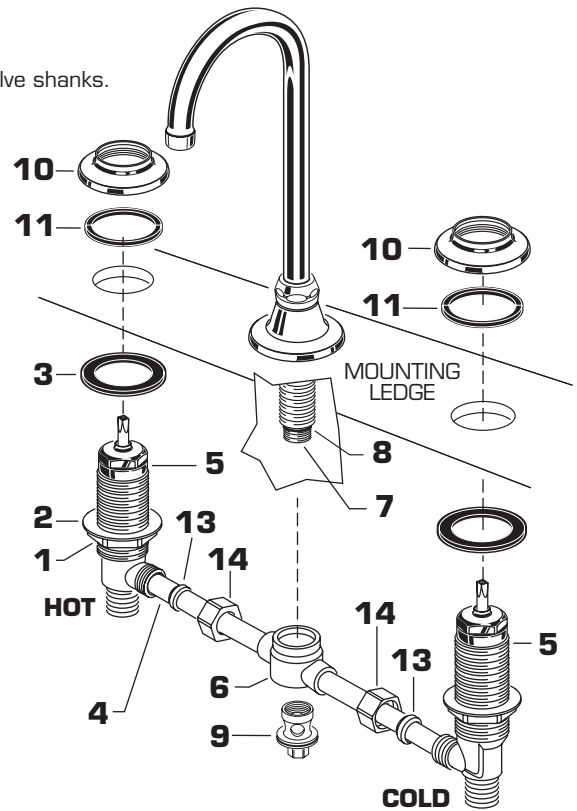
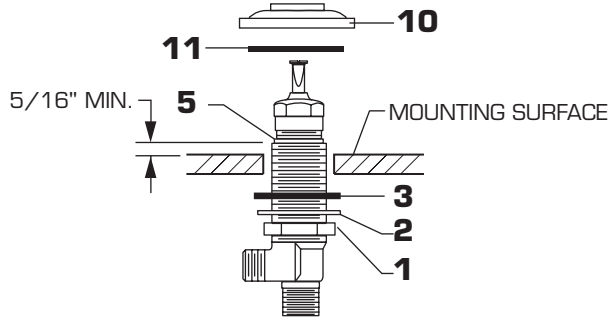
## 1a TO CHANGE SPOUT TO A SWIVEL SPOUT:

- Unscrew SPOUT NUT (8) and remove SPOUT (7).
- Take SPOUT CLIP (9) off SPOUT (7) and remove RUBBER RING (10).
- Replace RUBBER RING (10) with separate PLASTIC RING (11) packed with faucet.
- Put SPOUT CLIP (9) on SPOUT (7).
- Reassemble SPOUT (7) to SPOUT BASE (3).



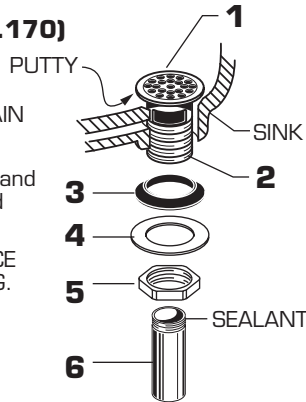
## 2 VALVE ASSEMBLY

- Install LOCKNUTS (1), BRASS WASHERS (2) and RUBBER WASHERS (3) onto valve shanks.
- Push TUBING (4) ends into VALVE (5) side outlets. Insert VALVES (5) into mounting holes from underside of ledge.
- Press TEE (6) onto SPOUT SHANK (7) making certain that the O-RING (8) is properly seated on SHANK (7). Push COUPLING (9) into TEE (6) and attach to SPOUT SHANK (7) and tighten.
- Place RUBBER RING (11) into DECK ADAPTERS (10) and thread onto valves until snug against internal stop.
- Tighten LOCKNUT (1) to secure VALVE (5) position.
- Slide FERRULE (13) and COUPLING NUT (14) to outlet of VALVE (5) and tighten COUPLING NUT (14) firmly.
- Connect HOT water supply to inlet of left VALVE and COLD water supply to inlet of right VALVE using appropriate connector.



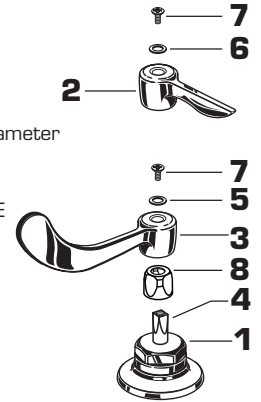
## 3 DRAIN ASSEMBLY (6542.140/.170)

- Apply a bead of PUTTY around underside of DRAIN FLANGE (1) flange. Insert DRAIN PLUG (2) into SINK drain hole.
- Hold DRAIN PLUG (2) to prevent turning and assemble GASKET (3), WASHER (4), and LOCKNUT (5) from underneath sink.
- Apply sealant to threaded end of TAILPIECE and thread into lower end of DRAIN PLUG. Connect other end to trap.



## 4 INSTALL HANDLES

- Turn VALVES (1) to off position.
- Insert ADAPTOR (8) with larger diameter over the VALVE STEM (4).
- Align LEVER (2) or WRIST BLADE HANDLE (3) and install onto VALVE STEM (4).
- Insert BLUE INDEX (5) into cold valve (right side) and red INDEX (6) into hot valve (left side).
- Insert HANDLE SCREW (7) into HANDLES and tighten with screwdriver.



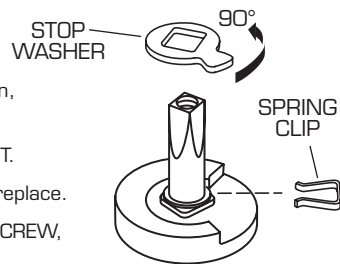
## 5 TEST INSTALLED FAUCET

- Remove AERATOR.
- With handle in OFF position, turn on water supplies and check all connections for leaks.

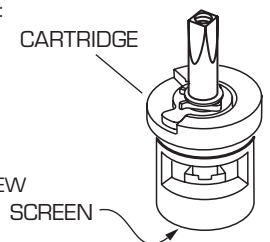
- Operate both handles to flush water lines thoroughly. Check spout mounting and hose connections for leaks.
- Turn handles into OFF position and replace AERATOR.

## 6 SERVICE

- To change direction of handle rotation, proceed as follows:
  - Turn valve to OFF position.
  - Remove HANDLE and BONNET NUT.
  - Remove SPRING CLIP.
  - Lift STOP WASHER, turn 90° and replace.
  - Replace SPRING CLIP.
  - Replace BONNET NUT, HANDLE, SCREW, and INDEX.
- AERATOR may accumulate dirt causing distorted and reduced water flow. Remove AERATOR and rinse clean.



- If spout drips, operate handles several times from OFF to ON position. Do not force - handles turn only 90°.
- Plastic SCREEN in CARTRIDGE may accumulate dirt causing reduced water flow. To clean, first turn off hot and cold water supplies, then:
  - Remove HANDLE and BONNET NUT.
  - Remove CARTRIDGE by pulling up.
  - Thoroughly rinse plastic SCREEN at base of CARTRIDGE.
- Replace CARTRIDGE until flange is tight against valve body.
- Turn valves OFF.
- Replace BONNET NUT, HANDLE, SCREW and INDEX.



### CARE INSTRUCTIONS:

**DO: SIMPLY RINSE THE PRODUCT CLEAN WITH CLEAR WATER. DRY WITH A SOFT COTTON FLANNEL CLOTH.**

**DO NOT: DO NOT CLEAN THE PRODUCT WITH SOAPS, ACID, POLISH, ABRASIVES, HARSH CLEANERS, OR A CLOTH WITH A COARSE SURFACE.**