

## Product Features

- Lever handle
- Ceramic cartridge
- Single-hole installation
- Swivel spout aerator
- 2.2 gpm
- Includes pop-up drain

## Code Compliance

This unit meets or exceeds the following:

- ASME A112.18.1
- CSA B125.1
- Listed by IAPMO
- ADA compliant
- Approved for use in Massachusetts

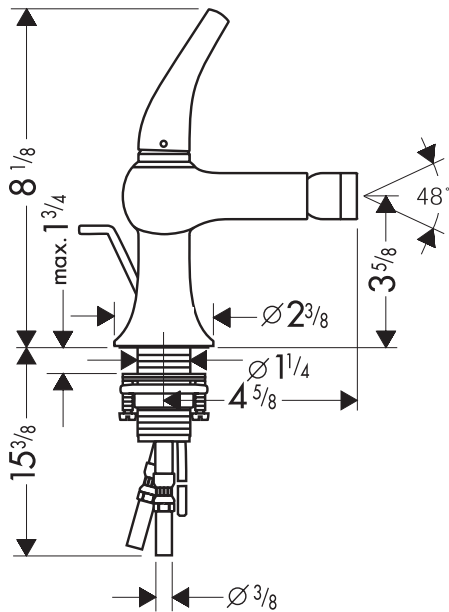
## Available Finishes

Chrome

37200001

Brushed Nickel

37200821



The measurements shown are for reference only.

Products and specifications shown are subject to change without notice.

Specification sheet revised 12/2007