

INSTALLATION INSTRUCTIONS CARE AND MAINTENANCE

American Standard

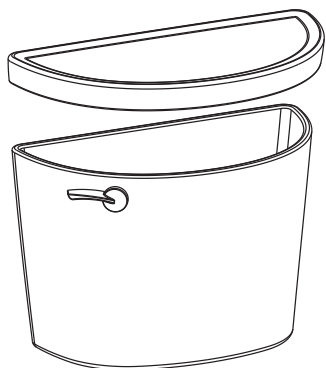
Style That Works Better

Champion® PRO 2-piece Toilet 211AA Series Right Height® Elongated 211BA Series Right Height® Round Front 211CA Series Elongated

Thank you for selecting American Standard - the benchmark of fine quality for over 100 years. To ensure this product is installed properly, please read these instructions carefully before you begin. (Certain installations may require professional help.) Also be sure your installation conforms to local codes.

⚠ CAUTION: PRODUCT IS FRAGILE. TO AVOID BREAKAGE AND POSSIBLE INJURY HANDLE WITH CARE!
NOTE: Pictures may not exactly define contour of china and components.

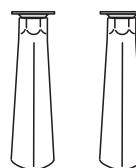
TANK 4225A



EZ-INSTALL KIT INCLUDED WITH TANK



Tank To Bowl Gasket

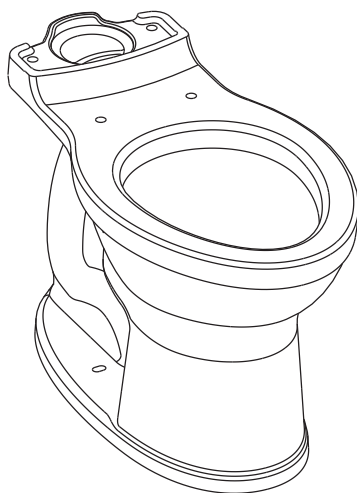


Attachment Handles with Nuts (2)

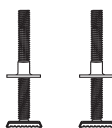


Plastic Washers (2)

BOWL 3195A RIGHT HEIGHT® ELONGATED BOWL 3195B RIGHT HEIGHT® ROUND FRONT BOWL 3195C ELONGATED



EZ-INSTALL KIT INCLUDED WITH BOWL



T-Bolts with Retainer (2)

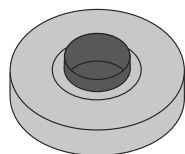


Bolt Caps (2)



Bowl-To-Floor Knobs (2)

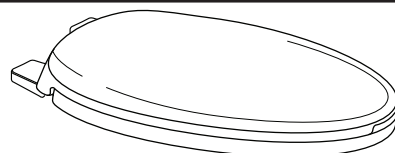
SOLD SEPARATELY



Wax Ring



Water Supply Line



Slow Close Toilet Seat

SAVE FOR FUTURE USE

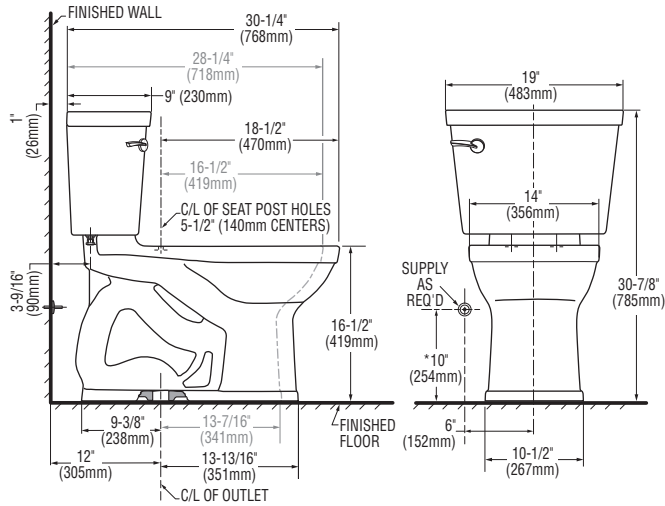


Product names listed herein are trademarks of AS America, Inc.
© AS America, Inc. 2012

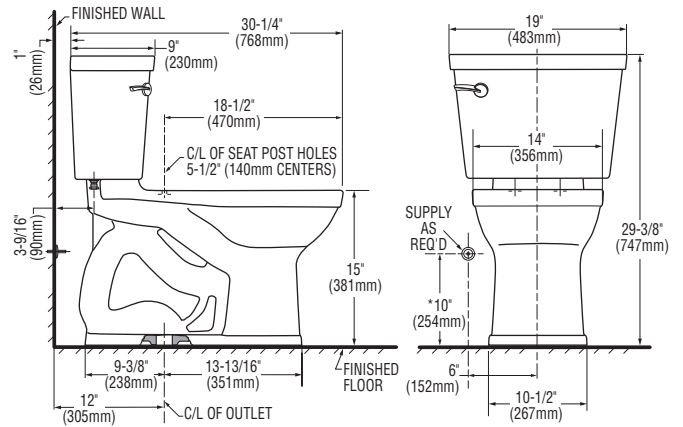
7301836-100 Rev. B

ROUGHING-IN DIMENSIONS: NOTE: Distance from wall to closet flange centerline must be as listed below: A = 12" (305mm)

Champion® PRO 2-piece Toilet 211BA Series Right Height® Round Front/
Champion® PRO 2-piece Toilet 211AA Series Right Height® Elongated

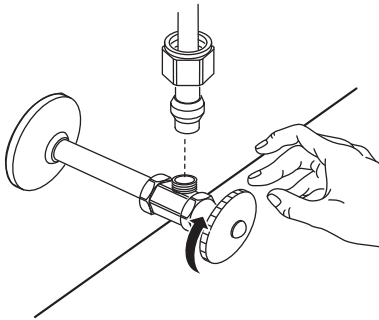


Champion® PRO 2-piece Toilet 211CA Series Normal Height Elongated



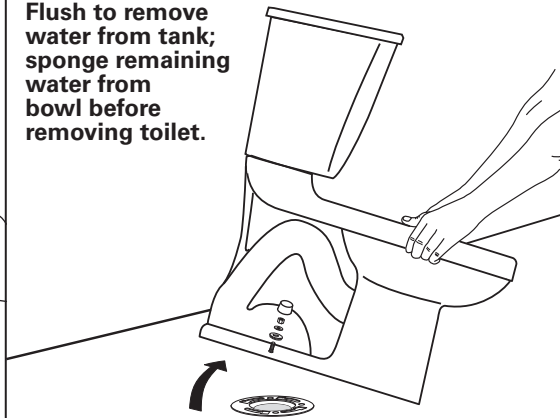
Before You Start:

Turn Off Water Supply

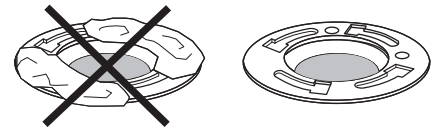


If Removing An Existing Toilet

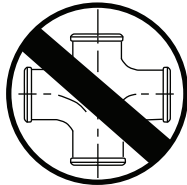
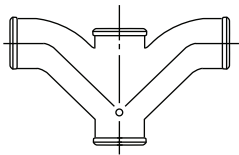
Flush to remove water from tank; sponge remaining water from bowl before removing toilet.



Clean Flange



Caution: If leaving floor flange open for more than 1-2 hours, cover flange to prevent escaping sewer gases.

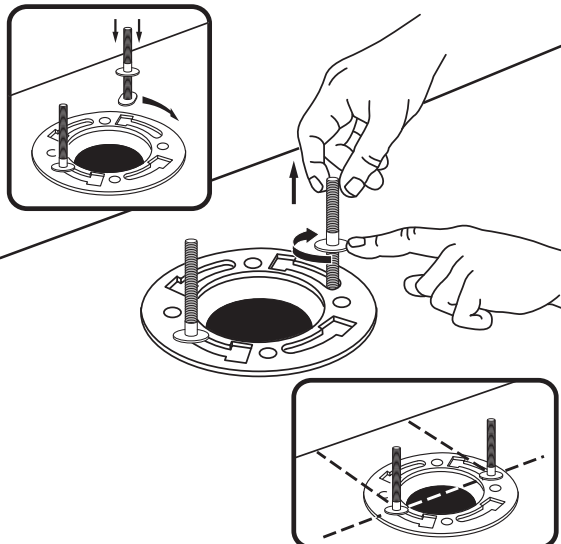


Recommended fitting type for back-to-back installations.

BACK-TO-BACK INSTALLATION

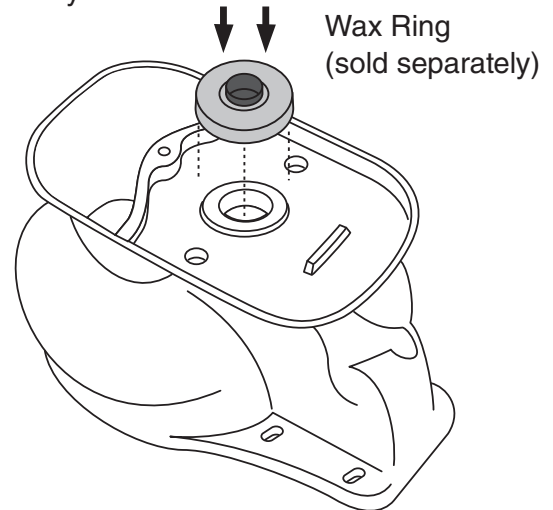
Depending upon your plumbing and venting conditions, the flow from the Champion® PRO in a back-to-back installation may create a vacuum on the system and draw water from the opposing bowl. The National Standards Plumbing Code prohibits the use of a cross fitting for drainage as throw over is possible. The code does approve a directional "Y" style fitting with proper venting to direct the water downward and away from the other toilet.

1



2

Press firmly.



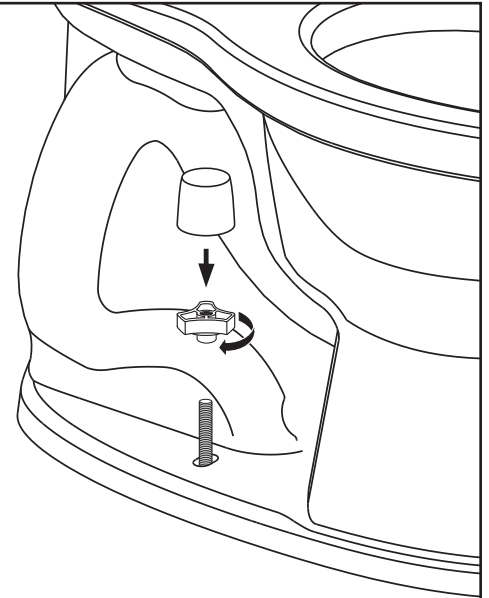
3

Apply weight evenly. Do not move after placement. Water tight seal may break.

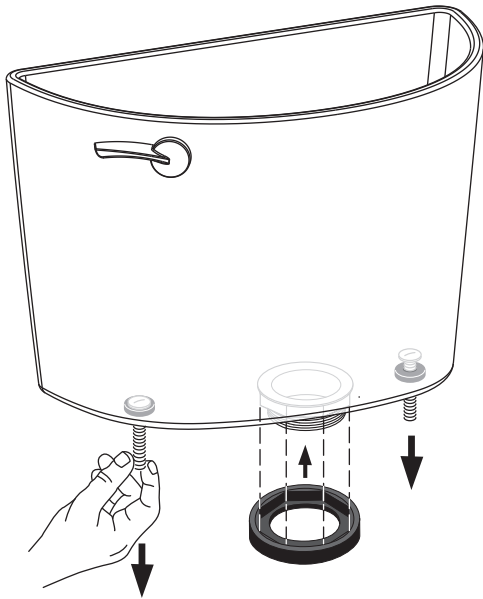


4

⚠ Hand tighten only. Do not overtighten.



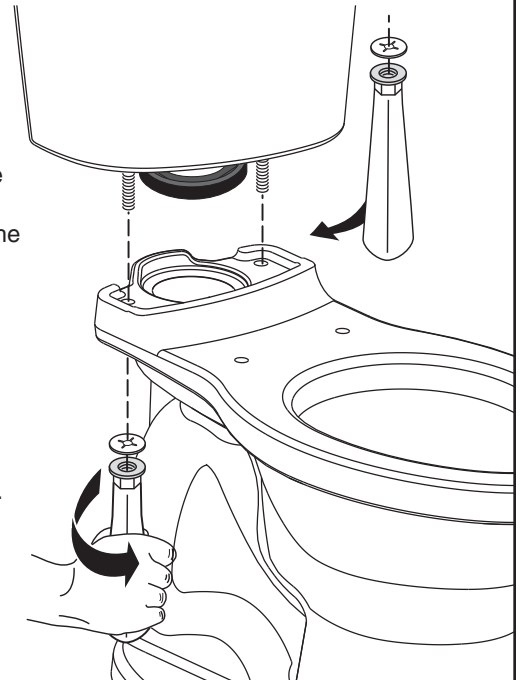
5



6

Tighten handles alternately until the tank contacts the front and back of the bowl achieving china-to-china contact.

NOTE: To ease installation, push down on the top of the tank while tightening handles.



7

A Connect water supply line. (Sold separately) Hand tighten nut.

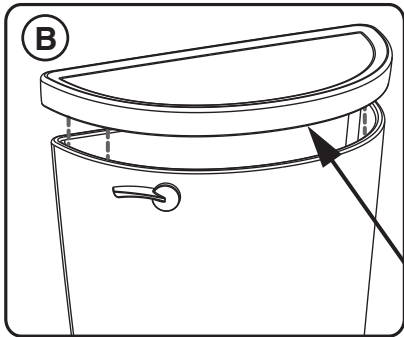
B Turn on water supply.



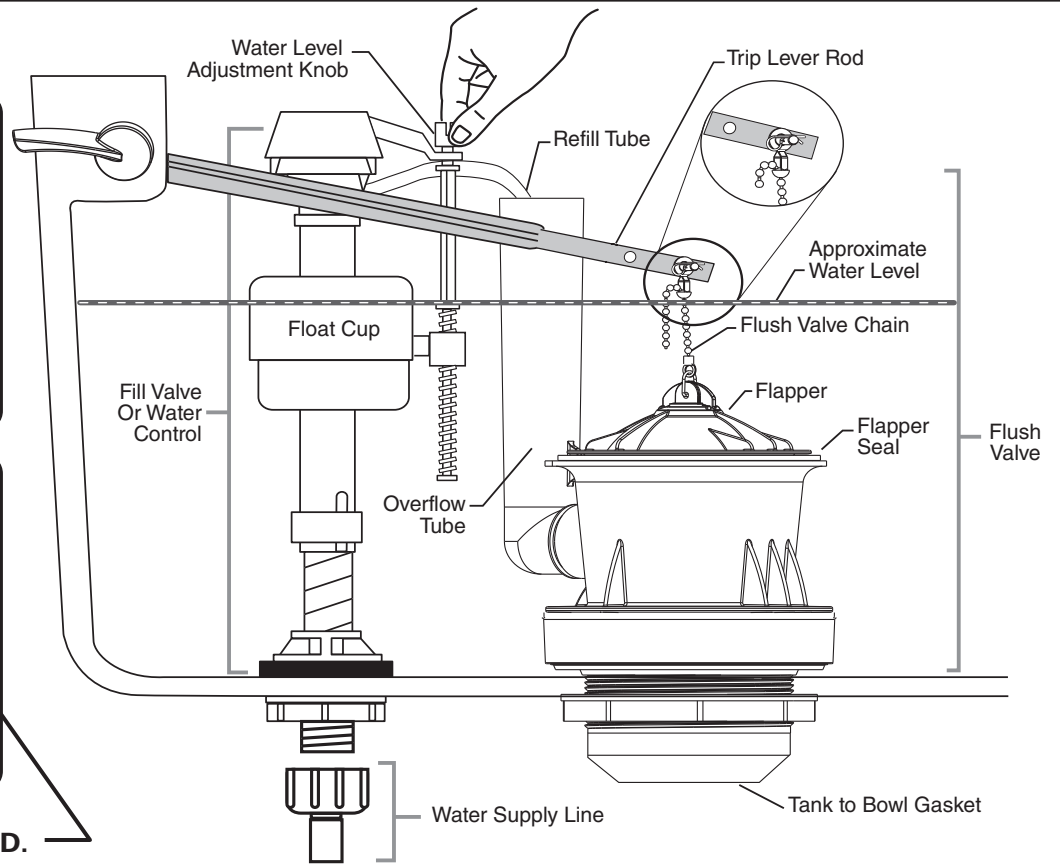
⚠ WARNING: Overtightening of water supply line nuts could result in breakage and potential flooding. If the connection leaks after hand tightening, replace the supply line. Do not use any type of sealant on the water supply connection. Use of plumber's putty, pipe dope, or any other type of sealant will void the warranty.

A

Adjust water level to level indicated on tank by turning water level adjustment knob to move float cup up or down.



REPAIR PARTS LABEL LOCATED UNDER TANK LID.



CARE AND CLEANING

When cleaning your toilet, wash it with mild, soapy water, rinse thoroughly with clear water and dry with a soft cloth.

WARNING: Do not use in-tank cleaners. These products can seriously corrode fittings in the tank. This damage can cause leakage and property damage. American Standard shall not be responsible or liable for any damage caused by the use of in-tank cleaners.

TROUBLESHOOTING GUIDE - See Step 8 For Diagram

Problem	Possible Cause	Corrective Action
Does not flush	<ul style="list-style-type: none"> a. Water supply valve closed. b. Supply line blocked. c. Flush valve chain too loose or disconnected. d. Sand or debris lodged in water control. 	<ul style="list-style-type: none"> a. Open valve and allow water to fill tank. b. Shut off water supply, disconnect supply line and inspect all gaskets and washers. Reassemble. c. Readjust chain length as required. d. Shut off water supply. Remove cap and clean as per Fluidmaster maintenance instructions at: www.americanstandard-us.com/enews/fluidmasterguide.pdf
Poor or sluggish flush	<ul style="list-style-type: none"> a. Bowl water level too low. b. Supply valve partly closed. c. Partially clogged trapway and/or drain pipe and/or vent. d. Supply pressure too low. 	<ul style="list-style-type: none"> a. Check that refill tube is connected to water control and inserted into overflow tube without being kinked or damaged. b. Open supply valve fully. Be sure that proper supply tube size is used. c. Remove obstruction. Consult a plumber if necessary. d. Normal supply pressure must be at least 20 psi.
Toilet leaks	<ul style="list-style-type: none"> a. Poor supply line connection. b. Poor bowl to tank/floor connection. 	<ul style="list-style-type: none"> a. Review Step 7 of installation procedure. b. Review Step 1 through 6 of installation procedure.
Toilet does not shut off	<ul style="list-style-type: none"> a. Flapper seal leaking or deformed. b. Sand or debris lodged in water control. c. Flush valve chain too tight, holding flapper open. 	<ul style="list-style-type: none"> a. Clean debris from seal surface. Replace flapper seal as needed. See web for more info. b. Shut off water supply. Remove cap and clean as per Fluidmaster maintenance instructions at: www.americanstandard-us.com/enews/fluidmasterguide.pdf c. Readjust chain length as needed.
Toilet bowl rocks after installation	<ul style="list-style-type: none"> a. Wax ring not fully compressed. b. Floor not level. 	<ul style="list-style-type: none"> a. Retighten bowl-to-floor knobs. b. Use toilet shims and /or place a bead of caulk around the base of the toilet.

FOR REPAIR PARTS LIST, SEE LABEL UNDER TANK LID.

In the United States:
 American Standard Brands
 P.O. Box 6820
 Piscataway, New Jersey 08855
 Attention: Director of Customer Care
 For residents of the United States, warranty information may also be obtained by calling the following toll free number: (800) 442-1902
www.americanstandard.com

In Canada:
 AS Canada, ULC
 5900 Avebury Rd.
 Mississauga, Ontario
 Canada L5R 3M3
 Toll Free: (800) 387-0369
www.americanstandard.ca

In Mexico:
 American Standard B&K Mexico
 S. de R.L. de C.V.
 Via Morelos #330
 Col. Santa Clara
 Ecatepec 55540 Edo. Mexico
 Toll Free: 01-800-839-1200
www.americanstandard.com.mx