

RANGE COMPOSITION

The range consists of 6 sinks, with cupboard and sliding doors, 1200, 1400, 1800, 2000 mm in length, and with two bowls. Sink cupboard units are ideal for washing, cleaning and storage.



132709 with accessory

1200/2000 mm

DOUBLE BOWL SINKS WITH CUPBOARD **ZANUSSI** PROFESSIONAL

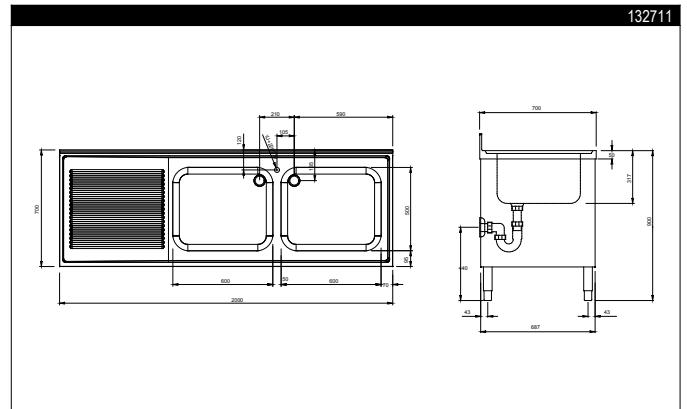
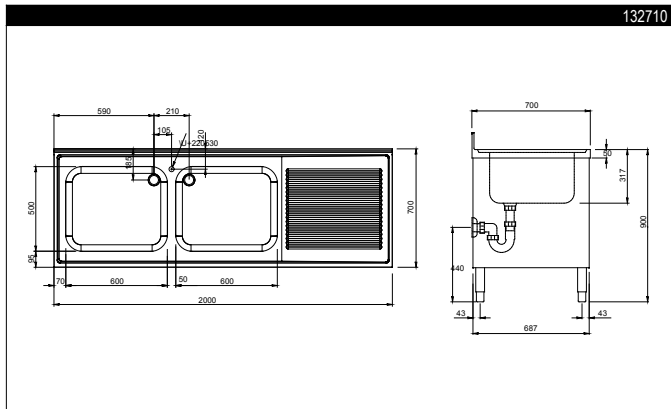
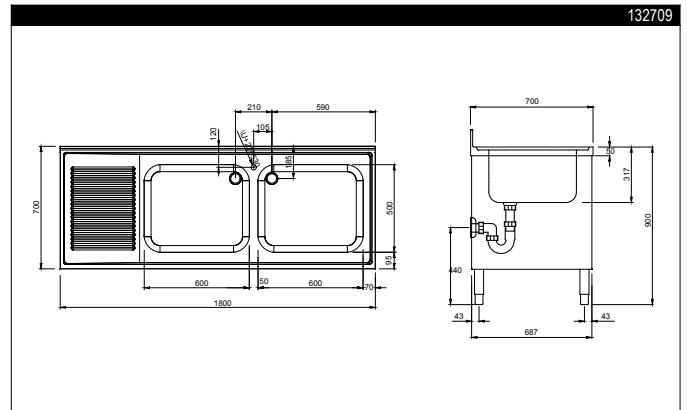
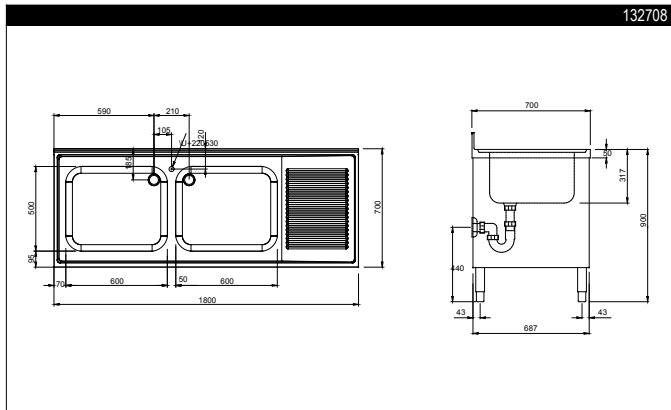
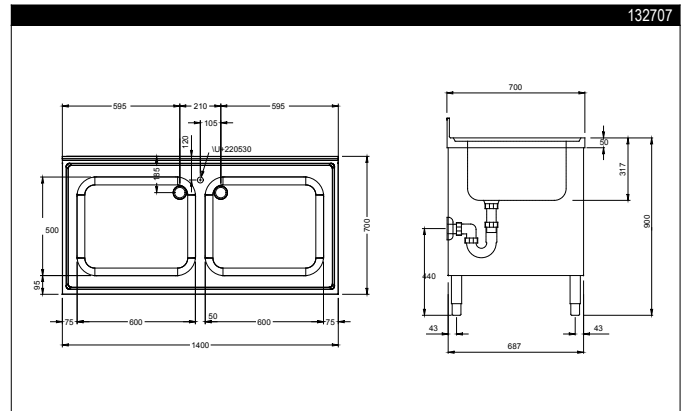
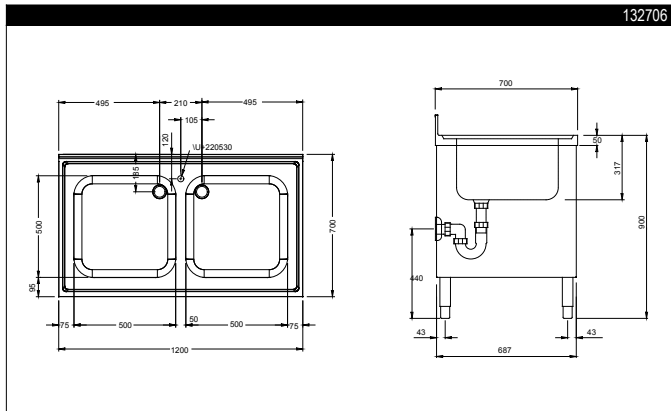
FUNCTIONAL AND CONSTRUCTION FEATURES

- ◆ Made entirely from stainless steel with welded construction for maximum strength.
- ◆ Inner welded frame in stainless steel to guarantee superior strength and stability.
- ◆ The 50 mm high worktop in 304 AISI stainless steel, 10/10 in thickness, incorporates a layer of sound deadening and water-proof material, has upturned edges to protect the kitchen worker.
- ◆ Side and base panels in 304 AISI stainless steel, 10/10 in thickness reinforced.
- ◆ Splashback with 8 mm rounded corner, 100 mm high and 13 mm deep, designed to be used against a wall.
- ◆ Sink bowl in 304 AISI stainless steel. All bowls are supplied as standard with an overflow pipe and a drain hole.
- ◆ The sound-deadened sturdy sliding doors in 304 AISI stainless steel are on tracks located flush to the front of the frame.
- ◆ Drainage area suitable for drying operations (except for codes 132706 and 132707).
- ◆ Easy access to the cupboard interior on all lengths guaranteed by the use of only 2 doors.
- ◆ All panel edges are upturned to guarantee

the safety of the kitchen worker.

- ◆ 200 mm high 304 AISI stainless steel feet, 64 mm in diameter, adjustable by -50/+30 mm.
- ◆ All models comply with the more strict international standards as far as hygiene and cleanability are concerned.

TECHNICAL DATA						
CHARACTERISTICS	MODELS					
	MLA1225P 132706	MLA1426P 132707	MLA1826DXP 132708	MLA1826SXP 132709	MLA2026DXP 132710	MLA2026SXP 132711
External dimensions - mm						
width	1200	1400	1800	1800	2000	2000
depth	700	700	700	700	700	700
height	1000	1000	1000	1000	1000	1000
Worktop thickness - mm	50	50	50	50	50	50
Upstand dimensions - mm						
height	100	100	100	100	100	100
depth	13	13	13	13	13	13
radius	R=8	R=8	R=8	R=8	R=8	R=8
Bowls - n.	2	2	2	2	2	2
Bowl dimensions (wxdxh) - mm	500x500xH300	600x500xH300	600x500xH300	600x500xH300	600x500xH300	600x500xH300
Internal cupboard dimensions - mm						
width	1110	1310	1710	1710	1910	1910
depth	645	645	645	645	645	645
height	330	330	330	330	330	330
N° and type of door	2, Sliding	2, Sliding	2, Sliding	2, Sliding	2, Sliding	2, Sliding
Net weight - kg.	55	60	70	70	75	75
Right hand drainer			●		●	
Left hand drainer				●		●



LEGEND

	MLA1225P 132706	MLA1426P 132707	MLA1826DXP 132708	MLA1826SXP 132709	MLA2026DXP 132710	MLA2026SXP 132711
C - Water drain	2"	2"	2"	2"	2"	2"

OPTIONAL ACCESSORIES

ACCESSORIES	MODELS					
	MLA1225P 132706	MLA1426P 132707	MLA1826DXP 132708	MLA1826SXP 132709	MLA2026DXP 132710	MLA2026SXP 132711
DOUBLE PLASTIC DRAIN SYPHON 2"	850022	850022	850022	850022	850022	850022
ELBOW OP.MIXER TAP+SPOUT-3/4" SINGLE HOLE	855322	855322	855322	855322	855322	855322
ELBOW OP.TAP+SPRAY ARM+SPOUT-3/4" HOLE	855324	855324	855324	855324	855324	855324
FALSE BOTTOM FOR L/H 500X500 MM BOWL	895210					
FALSE BOTTOM FOR L/H 600X500 MM BOWL		895110	895110	895110	895110	895110
FALSE BOTTOM FOR R/H 500X500 MM BOWL	895200					
FALSE BOTTOM FOR R/H 600X500 MM BOWL		895100	895100	895100	895100	895100
FOOT OP.MIXER TAP(HOT+COLD)+SPOUT-3/4"	855328	855328	855328	855328	855328	855328
MIXER TAP W/FOOT PEDAL FOR SINKS ON LEGS	855317	855317	855317	855317	855317	855317
MIXER TAP WITH SPOUT 3/4" SINGLE HOLE	855319	855319	855319	855319	855319	855319
MIXER TAP(INFRARED)+SPOUT 3/4" SING.HOLE	855325	855325	855325	855325	855325	855325
MIXER TAP(PREMIUM)+SPRAY ARM-3/4" HOLE	855326	855326	855326	855326	855326	855326
OVERFLOW FILTER FOR 500X500 MM BOWL	895136					
OVERFLOW FILTER FOR 600X500 MM BOWL		895135	895135	895135	895135	895135
PRE-WASH SPRAY UNIT, SINGLE HOLE	855315	855315	855315	855315	855315	855315
SINGLE BRASS SYPHON 2"	895314	895314	895314	895314	895314	895314
SINGLE PLASTIC SYPHON 2"	895313	895313	895313	895313	895313	895313
WALL MIX.TAP+SPRAY+SPOUT+SH.LEVER+THERM	855307	855307	855307	855307	855307	855307
WALL MIXER TAP WITH SWIVEL SPOUT 3/4"	855310	855310	855310	855310	855310	855310



www.zanussiprofessional.com