

RANGE COMPOSITION

The range consists of 7 sinks with cupboard ranging from 1000 to 1800 mm in length, with two bowls and sliding doors. Sink units are ideal for washing, cleaning and storage.



133047

1000/1800 mm

ECO DOUBLE BOWL SINKS WITH CUPBOARD **ZANUSSI** PROFESSIONAL

FUNCTIONAL AND CONSTRUCTION FEATURES

- ◆ Made entirely from stainless steel with welded construction for maximum strength.
- ◆ Inner welded frame in stainless steel to guarantee superior strength and stability.
- ◆ Sink bowls in 304 AISI stainless steel, supplied as standard with an overflow pipe and a drain hole.
- ◆ The 40 mm high worktop in 304 AISI stainless steel incorporates a layer of sound deadening and water proof material, has upturned edges to protect the kitchen worker.
- ◆ Splashback with 8 mm rounded corner,

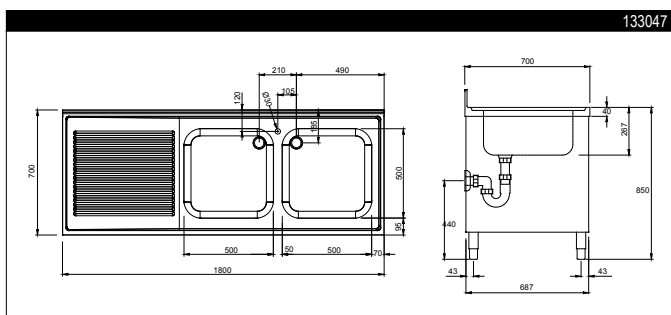
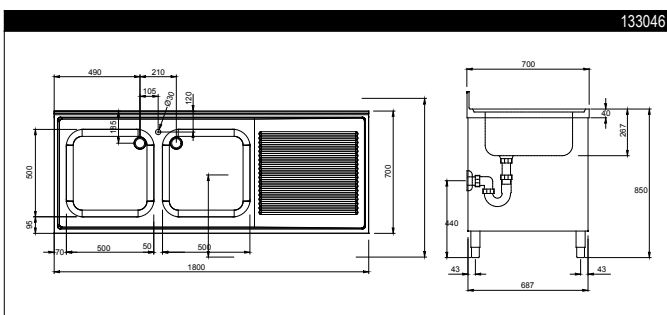
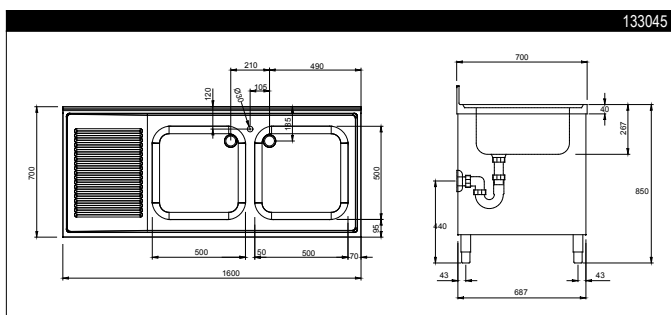
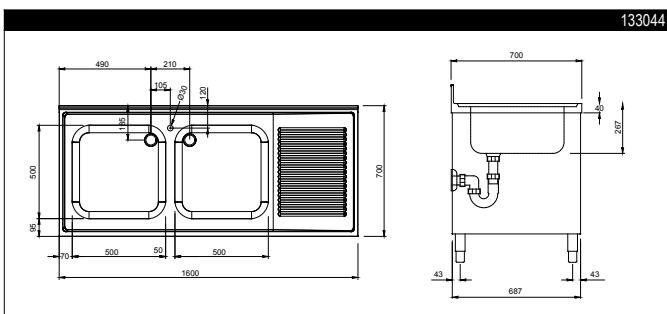
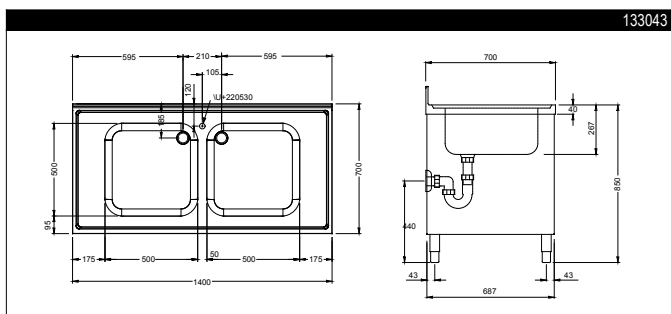
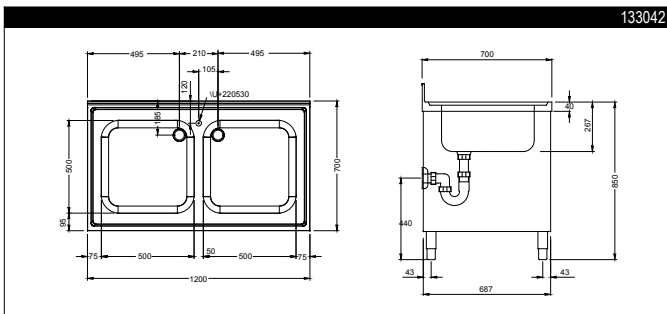
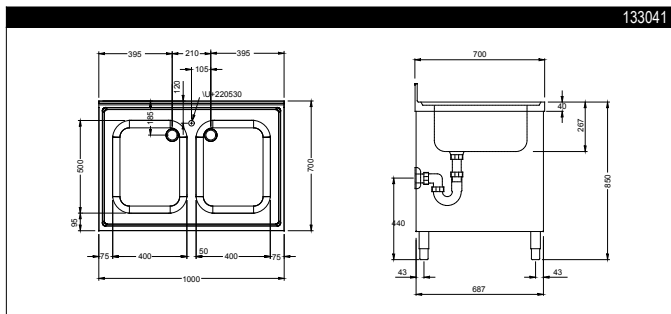
100 mm high and 13 mm deep.

- ◆ Intermediate shelf in stainless steel with riveted corners and transversal reinforcements in stainless steel.
- ◆ Drainage area suitable for drying operations (only on 1600 and 1800 mm versions).
- ◆ Handles are built directly into the sliding and hinged doors.
- ◆ Reinforced base panel in stainless steel.
- ◆ The sound-deadened sturdy sliding doors in 304 AISI stainless steel are on tracks located flush to the front of the frame.
- ◆ Easy access to the cupboard interior on all lengths guaranteed by the use of only 2 doors.
- ◆ All panel edges are upturned to guarantee

the safety of the kitchen worker.

- ◆ 150 mm high AISI 304 stainless steel feet, 52 mm in diameter, adjustable by -10/+40 mm.
- ◆ All models comply with the more strict international standards as far as hygiene and cleanability are concerned.

TECHNICAL DATA							
CHARACTERISTICS	MODELS						
	ML2S1017 133041	ML2S1217 133042	ML2S1417 133043	ML2S1617R 133044	ML2S1617L 133045	ML2S1817R 133046	ML2S1817L 133047
External dimensions - mm							
width	1000	1200	1400	1600	1600	1800	1800
depth	700	700	700	700	700	700	700
height	950	950	950	950	950	950	950
Upstand dimensions - mm							
height	100	100	100	100	100	100	100
depth	13	13	13	13	13	13	13
radius	R=8	R=8	R=8	R=8	R=8	R=8	R=8
Bowls - n.	2	2	2	2	2	2	2
Bowl dimensions (wxdxh) - mm	400x500xH250	500x500xH250	500x500xH250	500x500xH250	500x500xH250	500x500xH250	500x500xH250
Drainer position				Right	Left	Right	Left
Internal cupboard dimensions - mm							
width	910	1110	1310	1510	1510	1710	1710
depth	595	595	595	595	595	595	595
height	645	645	645	645	645	645	645
N° and type of door	2, Sliding	2, Sliding	2, Sliding	2, Sliding	2, Sliding	2, Sliding	2, Sliding
Net weight - kg.	50	55	60	65	65	70	70
Left hand drainer					●		●
Right hand drainer				●		●	



LEGEND							
	ML2S1017 133041	ML2S1217 133042	ML2S1417 133043	ML2S1617R 133044	ML2S1617L 133045	ML2S1817R 133046	ML2S1817L 133047
C - Water drain	1"1/2	1"1/2	1"1/2	1"1/2	1"1/2	1"1/2	1"1/2

OPTIONAL ACCESSORIES	MODELS						
	ML2S1017 133041	ML2S1217 133042	ML2S1417 133043	ML2S1617R 133044	ML2S1617L 133045	ML2S1817R 133046	ML2S1817L 133047
DOUBLE PLASTIC DRAIN SYPHON 1.5"	850021	850021	850021	850021	850021	850021	850021
ELBOW OP.MIXER TAP+SPOUT-3/4" SINGLE HOLE	855322	855322	855322	855322	855322	855322	855322
ELBOW OP.TAP+SPRAY ARM+SPOUT-3/4" HOLE		855324	855324	855324	855324	855324	855324
FOOT OP.MIXER TAP(HOT+COLD)+SPOUT-3/4"	855328	855328	855328	855328	855328	855328	855328
MIXER TAP W/FOOT PEDAL FOR SINKS ON LEGS	855317	855317	855317	855317	855317	855317	855317
MIXER TAP WITH SPOUT 3/4" SINGLE HOLE	855319	855319	855319	855319	855319	855319	855319
MIXER TAP(INFRARED)+SPOUT 3/4" SING.HOLE	855325	855325	855325	855325	855325	855325	855325
MIXER TAP(PREMIUM)+SPRAY ARM-3/4" HOLE	855326	855326	855326	855326	855326	855326	855326
PRE-WASH SPRAY UNIT,SINGLE HOLE	855315	855315	855315	855315	855315	855315	855315
SINGLE BRASS DRAIN SYPHON 1.5"	855308	855308	855308	855308	855308	855308	855308
SINGLE PLASTIC DRAIN SYPHON 1.5"	855306	855306	855306	855306	855306	855306	855306
WALL MIX.TAP+SPRAY+SPOUT+SH.LEVER+THERM	855307	855307	855307	855307	855307	855307	855307
WALL MIXER TAP WITH SWIVEL SPOUT 3/4"	855310	855310	855310	855310	855310	855310	855310



www.zanussiprofessional.com