

RANGE COMPOSITION

The range consists of 3 models of sinks for soaking and washing pots and pans available in sizes varying from 1200, 1400 to 1800 mm.



Model 132332+955300

1200&1400&1800 MM

SOAKING TANKS **ZANUSSI** PROFESSIONAL

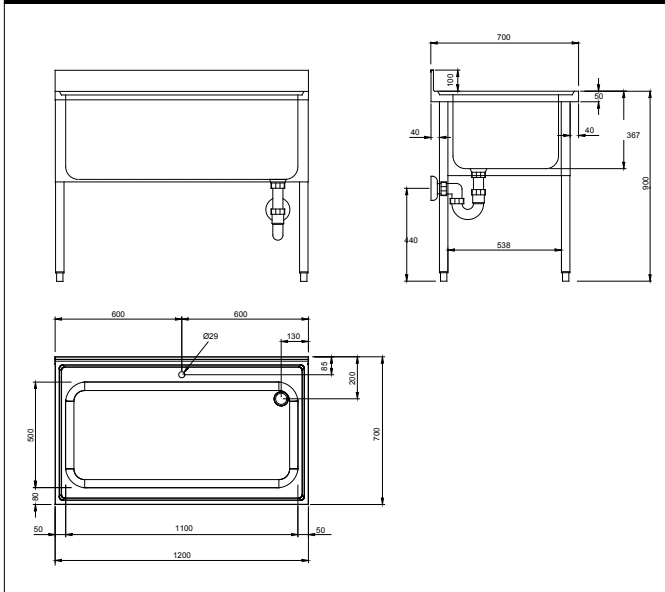
FUNCTIONAL AND CONSTRUCTION FEATURES

- ◆ Worktop in 10/10, 304 AISI stainless steel, 40 mm in thickness and with overflow rim along the top.
- ◆ The 350 mm high bowl and the pan washing support are constructed entirely in 304 AISI stainless steel. The bowls are supplied as standard with an overflow pipe with filter and a drain hole.
- ◆ The bowls have bases which are inclined towards the drain outlets and rounded internal corners for ease of draining and cleaning.
- ◆ Rear splashback with 8 mm rounded corner, 100 mm in height and 13 mm deep.
- ◆ Square section legs with 1" height-adjustable (40 mm) feet in 304 AISI stainless steel to guarantee perfect alignment with other food preparation units.

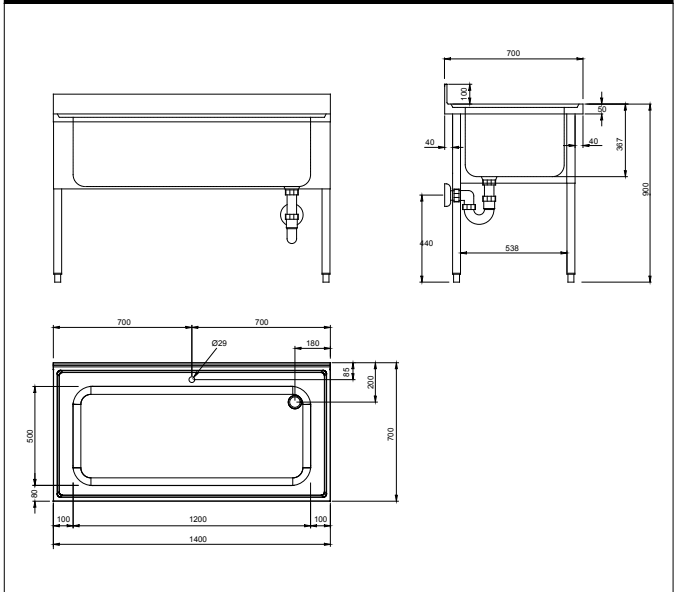
- ◆ Quick and easy installation as the sink tops are slotted onto the legs and the taps are easily installed from the rear.
- ◆ The soaking tanks can be supplied, on request, with different types of tap units and with syphons in plastic or brass.
- ◆ All models comply with the more strict international standards as far as hygiene and cleanability are concerned.

TECHNICAL DATA			
CHARACTERISTICS	MODELS		
	VLP1201SP 132332	VLP1401SP 132334	VLP1802SP 132338
External dimensions - mm			
width	1200	1400	1800
depth	700	700	700
height	1000	1000	1000
Worktop thickness - mm	50	50	50
Upstand dimensions - mm			
height	100	100	100
depth	13	13	13
radius	R=8	R=8	R=8
Bowls - n.	1	1	2
Bowl dimensions (wxdxh) - mm	1100x500xH350	1200x500xH350	800x500xH350
Net weight - kg.	50	60	72

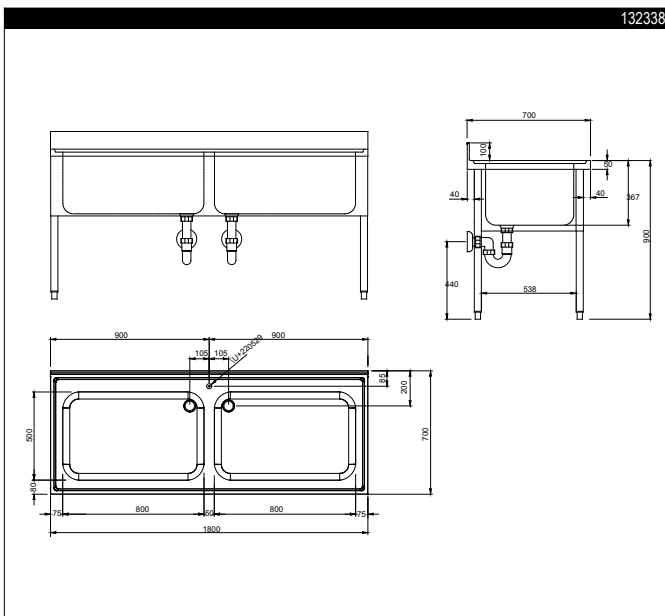
132332



132334



132338



LEGEND

	VLP1201SP 132332	VLP1401SP 132334	VLP1802SP 132338
A - Hot water inlet	3/4"	3/4"	3/4"
B - Cold water inlet	3/4"	3/4"	3/4"
C - Water drain	2"	2"	2"

OPTIONAL ACCESSORIES

ACCESSORIES	MODELS		
	VLP1201SP 132332	VLP1401SP 132334	VLP1802SP 132338
DOUBLE PLASTIC DRAIN SYPHON 2"			850022
ELBOW OP.MIXER TAP+SPOUT-3/4" SINGLE HOLE	855322	855322	855322
ELBOW OP.TAP+SPRAY ARM+SPOUT-3/4" HOLE	855324	855324	855324
FOOT OP.MIXER TAP(HOT+COLD)+SPOUT-3/4"	855328	855328	855328
LOWER SHELF FOR 1200 MM SINK	855342		
LOWER SHELF FOR 1400 MM SINK		855344	
LOWER SHELF FOR 1800 MM SINK			855348
MAXIREEL-RETRACTABLE HOSE SPRAY UNIT 10M	855320	855320	855320
MAXIREEL-RETRACTABLE HOSE SPRAY UNIT 15M	855321	855321	855321
MAXIREEL-RETRACTABLE HOSE SPRAY UNIT 6M	855327	855327	855327
MIXER TAP W/FOOT PEDAL FOR SINKS ON LEGS	855317	855317	855317
MIXER TAP WITH SPOUT 3/4" SINGLE HOLE	855319	855319	855319
MIXER TAP(INFRARED)+SPOUT 3/4" SING.HOLE	855325	855325	855325
MIXER TAP(PREMIUM)+SPRAY ARM-3/4" HOLE	855326	855326	855326
MIXER TAP+SPRAY ARM+SPOUT-3/4" SING.HOLE	855329	855329	855329
PRE-WASH SPRAY UNIT,SINGLE HOLE	855315	855315	855315
SINGLE BRASS SYPHON 2"	895314	895314	895314
SINGLE PLASTIC SYPHON 2"	895313	895313	895313
WALL MIX.TAP+SPRAY+SPOUT+SH.LEVER+THERM	855307	855307	855307
WALL MIXER TAP WITH SWIVEL SPOUT 3/4"	855310	855310	855310



www.zanussiprofessional.com