

RANGE COMPOSITION

The range consists of 8 sinks with cupboard ranging from 700 to 1400 mm in length, with single bowl and sliding doors. Sink units are ideal for washing, cleaning and storage.



700/1400 mm

ECO SINGLE BOWL SINKS WITH CUPBOARD **ZANUSSI** PROFESSIONAL

FUNCTIONAL AND CONSTRUCTION FEATURES

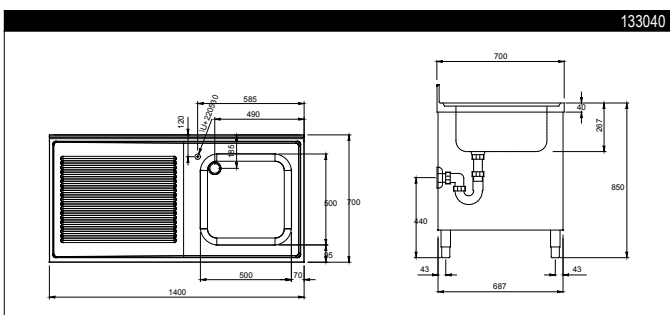
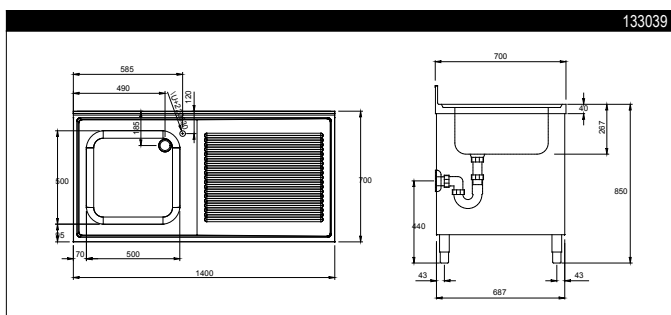
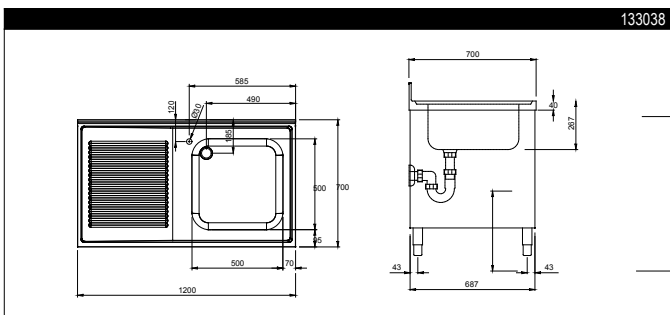
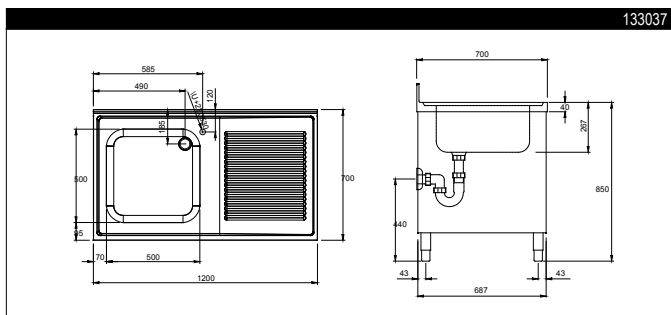
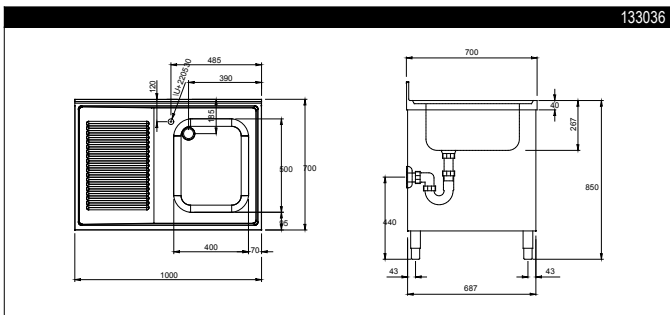
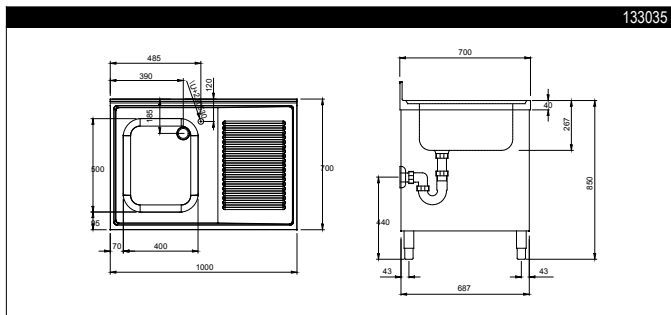
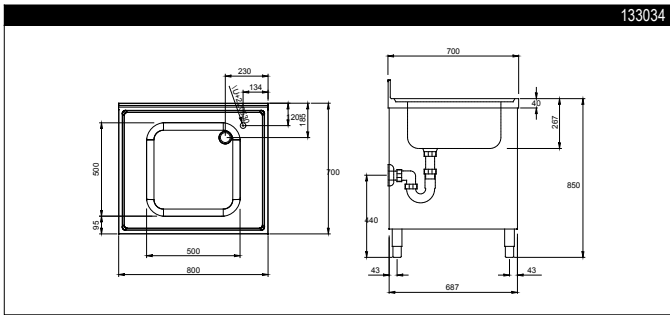
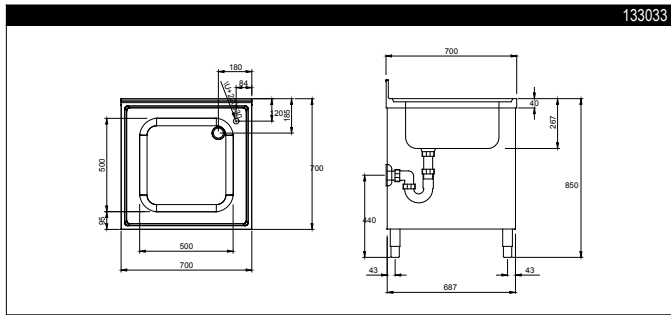
- ◆ Made entirely from stainless steel with welded construction for maximum strength.
- ◆ Inner welded frame in stainless steel to guarantee superior strength and stability.
- ◆ Sink bowls in 304 AISI stainless steel, supplied as standard with an overflow pipe and a drain hole.
- ◆ The 40 mm high worktop in 304 AISI stainless steel incorporates a layer of sound deadening and water proof material, has

upturned edges to protect the kitchen worker.

- ◆ Splashback with 8 mm rounded corner, 100 mm high and 13 mm deep.
- ◆ Intermediate shelf in stainless steel with riveted corners and trasversal reinforcements in stainless steel.
- ◆ Handles are built directly into the sliding and hinged doors.
- ◆ Reinforced base panel in stainless steel.
- ◆ Drainage area suitable for drying operations (except for codes 133033 and 133034).
- ◆ The sound-deadened sturdy sliding doors on tracks located flush to the front of the frame (except for codes 133033 and 133034).

- ◆ Easy access to the cupboard interior on all lengths guaranteed by the use of only 2 doors.
- ◆ All panel edges are upturned to guarantee the safety of the kitchen worker.
- ◆ 150 mm high AISI 304 stainless steel feet, 52 mm in diameter, adjustable by -10/+40 mm.
- ◆ All models comply with the more strict international standards as far as hygiene and cleanability are concerned.

TECHNICAL DATA								
CHARACTERISTICS	MODELS							
	ML1B0717 133033	ML1B0817 133034	ML1S1017R 133035	ML1S1017L 133036	ML1S1217R 133037	ML1S1217L 133038	ML1S1417R 133039	ML1S1417L 133040
External dimensions - mm								
width	700	800	1000	1000	1200	1200	1400	1400
depth	700	700	700	700	700	700	700	700
height	950	950	950	950	950	950	950	950
Upstand dimensions - mm								
height	100	100	100	100	100	100	100	100
depth	13	13	13	13	13	13	13	13
radius	R=8	R=8	R=8	R=8	R=8	R=8	R=8	R=8
Bowls - n.	1	1	1	1	1	1	1	1
Bowl dimensions (wxdxh) - mm	500x500xH250	500x500xH250	400x500xH250	400x500xH250	500x500xH250	500x500xH250	500x500xH250	500x500xH250
Drainer position			Right	Left	Right	Left	Right	Left
Internal cupboard dimensions - mm								
width	610	710	910	910	1110	1110	1310	1310
depth	595	595	595	595	595	595	595	595
height	370	370	645	645	645	645	645	645
N° and type of door	1, Hinged	1, Hinged	2, Sliding	2, Sliding	2, Sliding	2, Sliding	2, Sliding	2, Sliding
Net weight - kg.	40	45	50	50	55	55	60	60
Left hand drainer				●		●		●
Right hand drainer			●		●		●	



LEGEND	ML1B0717 133033	ML1B0817 133034	ML1S1017R 133035	ML1S1017L 133036	ML1S1217R 133037	ML1S1217L 133038	ML1S1417R 133039	ML1S1417L 133040
C - Water drain	1"1/2	1"1/2	1"1/2	1"1/2	1"1/2	1"1/2	1"1/2	1"1/2

OPTIONAL ACCESSORIES ACCESSORIES	MODELS							
	ML1B0717 133033	ML1B0817 133034	ML1S1017R 133035	ML1S1017L 133036	ML1S1217R 133037	ML1S1217L 133038	ML1S1417R 133039	ML1S1417L 133040
ELBOW OP.MIXER TAP+SPOUT-3/4" SINGLE HOLE	855322	855322	855322	855322	855322	855322	855322	855322
ELBOW OP.TAP+SPRAY ARM+SPOUT-3/4" HOLE	855324	855324			855324	855324	855324	855324
FOOT OP.MIXER TAP(HOT+COLD)+SPOUT-3/4"	855328	855328	855328	855328	855328	855328	855328	855328
MIXER TAP W/FOOT PEDAL FOR SINKS ON LEGS	855317	855317	855317	855317	855317	855317	855317	855317
MIXER TAP WITH SPOUT 3/4" SINGLE HOLE	855319	855319	855319	855319	855319	855319	855319	855319
MIXER TAP(INFRARED)+SPOUT 3/4" SING.HOLE	855325	855325	855325	855325	855325	855325	855325	855325
MIXER TAP(PREMIUM)+SPRAY ARM-3/4" HOLE	855326	855326	855326	855326	855326	855326	855326	855326
PRE-WASH SPRAY UNIT,SINGLE HOLE	855315	855315	855315	855315	855315	855315	855315	855315
SINGLE BRASS DRAIN SYPHON 1.5"	855308	855308	855308	855308	855308	855308	855308	855308
SINGLE PLASTIC DRAIN SYPHON 1.5"	855306	855306	855306	855306	855306	855306	855306	855306
WALL MIX.TAP+SPRAY+SPOUT+SH.LEVER+THERM	855307	855307	855307	855307	855307	855307	855307	855307
WALL MIXER TAP WITH SWIVEL SPOUT 3/4"	855310	855310	855310	855310	855310	855310	855310	855310



www.zanussiprofessional.com