

DESCRIPTION

- Metal construction with chrome plated or LifeShine® brushed nickel finish
- 3/4" IPS connection
- Includes four single-function body sprays
- Includes 10" rainshower showerhead, arm and flange
- Includes single function hand shower with 69" hose assembly, drop ell and wall bracket
- For use with S936 3/4" thermostatic valve & model S956 volume control valve
- With integral checkstops

OPERATION

- Flow lever operates counterclockwise through a 90 degree arc with off at 6 o'clock and maximum flow at the 3 o'clock position. Shut off in clockwise direction
- Temperature lever operates through a 340 degree arc with maximum cold at full clockwise rotation and maximum hot at full counterclockwise rotation
- Safety stop preset temperature at 105 degrees F (41 degrees C)
- Safety stop override allows maximum temperature at 120 degrees F (49 degrees C)
- Factory established temperature range from 70 degrees F (21 degrees C) to 120 degrees F (49 degrees C)

FLOW

- Showerhead and handshower are limited to 2.5 gpm (9.5 L/min)
- Bodysprays are limited to 1.75 gpm each (6.6 L/min)

CARTRIDGE

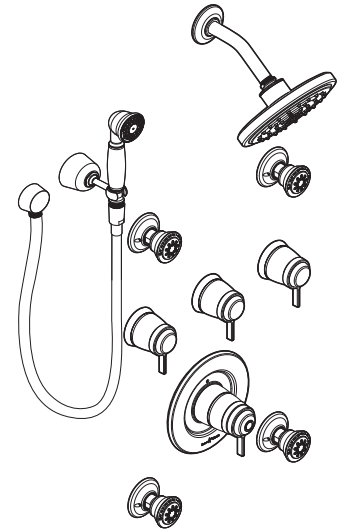
- 130156 thermostatic cartridge design with non metallic/nonferrous materials
- 130157 volume ceramic disc cartridge design

STANDARDS

- Third party certified to meet CSA B-125.1, ASME A112.18.1 and all applicable requirements referenced therein including ASSE1016

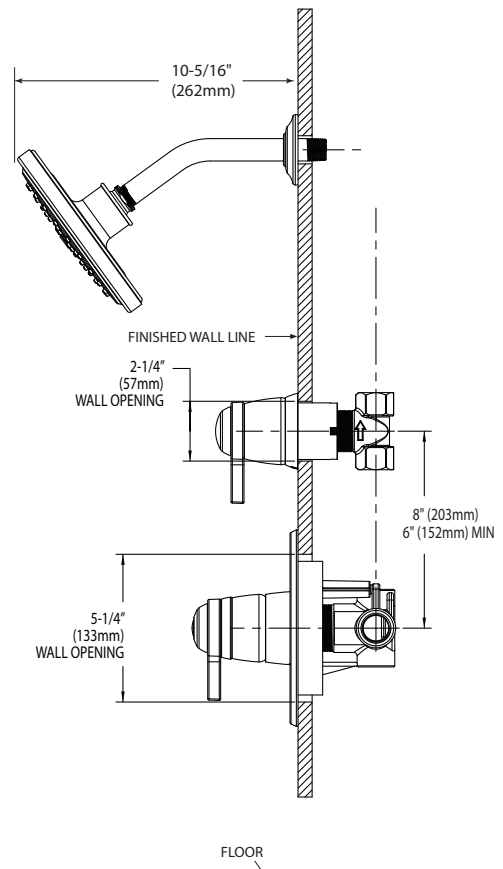
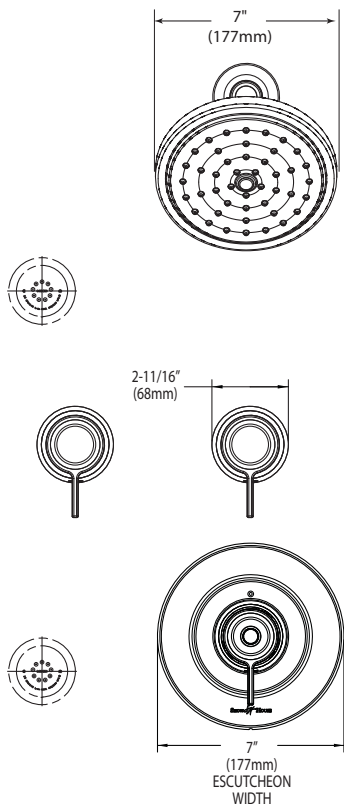
WARRANTY

- Lifetime limited warranty against leaks, drips and finish defects to the original consumer purchaser
- 5 year warranty if used in commercial installations



**SOLACE™
Thermostatic Vertical Spa Trim**

Models: TS576, TS576BN



CRITICAL DIMENSIONS

(DO NOT SCALE)

DESCRIPTION

- Metal construction with a chrome plated or LifeShine®
Brushed Nickel finish for use with S956 valve

OPERATION

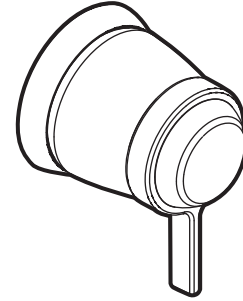
- Lever style handle operation

STANDARDS

- Third party certified to meet CSA B-125.1, ASME A112.18.1
and all applicable requirements referenced therein

WARRANTY

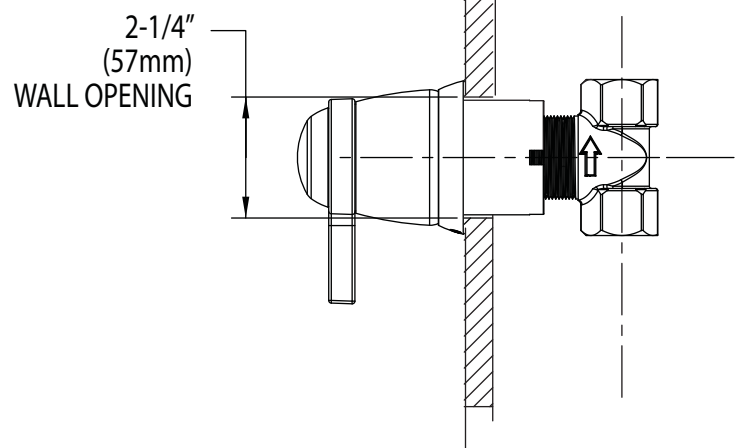
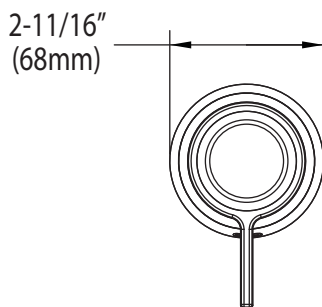
- Lifetime limited warranty against leaks, drips and finish
defects to the original consumer purchaser
- 5 year warranty if used in commercial installations



**SOLACE™
Single Function Flow Valve Trim**

Models: TS574, TS574BN

Valve: S956



CRITICAL DIMENSIONS

(DO NOT SCALE)



Buy it for looks. Buy it for life.®

FAUCET DESCRIPTION

- Metallic spray face and shell
- Brass swivel ball assembly
- Available in chrome plated, LifeShine® Polished Brass, Satine™, Antique Nickel, Oil Rubbed Bronze, Classic Gold™ Nickel, Brushed Nickel, LifeShine® Brushed Bronze, Platinum or Wrought Iron finish

OPERATION

- Single spray function

FLOW

- Designed to deliver 1.75 gpm max (6.6 L/min) at 80 psi

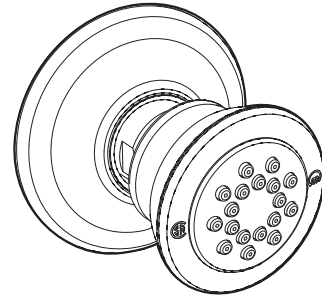
STANDARDS

- Designed and manufactured to comply with the requirements of: CSA B125 and ASME A112.18.1M and all requirements referenced therein

WARRANTY

- Warranted for one year against material or manufacturing defects

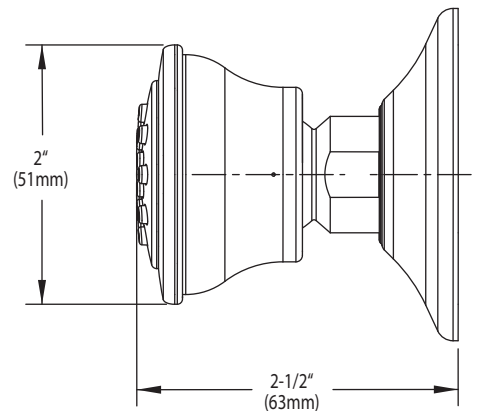
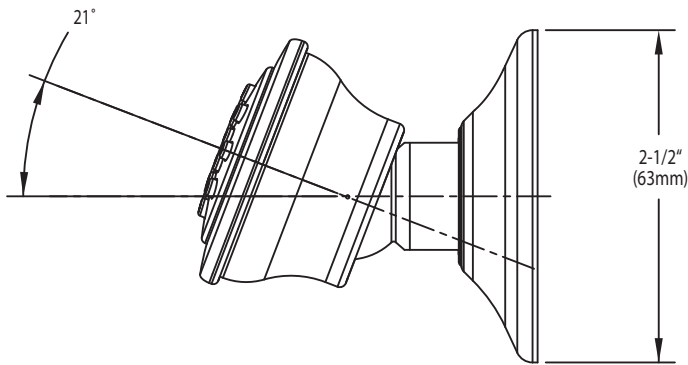
Specifications



Small Single Function Body Spray

Models: A501, A501P, A501PM, A501AN, A501BN, A501BB, A501ST, A501CG, A501NL, A501ORB, A501WR

A501 Series



CRITICAL DIMENSIONS

(DO NOT SCALE)



Buy it for looks. Buy it for life.®

Specifications

DESCRIPTION

- Handheld shower available in a chrome plated, chrome w/LifeShine® polished brass, antique nickel, nickel, oil rubbed bronze, wrought iron, LifeShine® polished brass, brushed nickel or pewter finish
- Metal construction
- 69" double interlock spiral hose (metal)
- Vacuum breaker

OPERATION

- Single function

FLOW

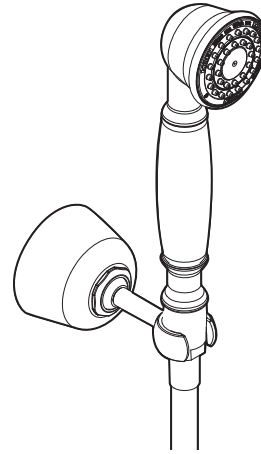
- Designed to deliver 2.5 gpm (9.5 L/min) at 60 psi

STANDARDS

- Designed and manufactured to comply with the applicable requirements of: CSA B-125 and ASME A112.18.1M and ASSE 1014 and all applicable specifications referenced therein

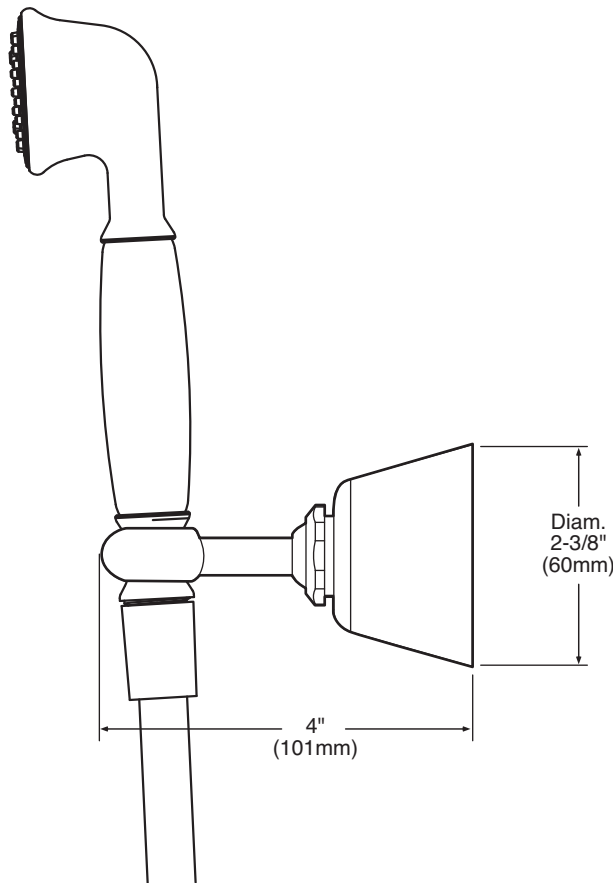
WARRANTY

- Warranted for one year against material or manufacturing defects



**Handshower
w/Bracket & Hose**

Models: 3861, 3861BB, 3861CP, 3861P, 3861PW
3861BN, 3861WR, 3861AN, 3861NL, 3861ORB



CRITICAL DIMENSIONS

(DO NOT SCALE)



Buy it for looks. Buy it for life.®

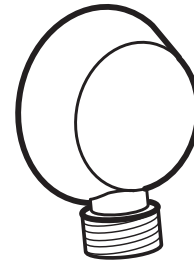
Specifications

DESCRIPTION

- Metal construction with a chrome plated, antique nickel, brushed nickel, classic gold, platinum, satine, wrought iron, polished brass, brushed bronze, nickel or glacier finish

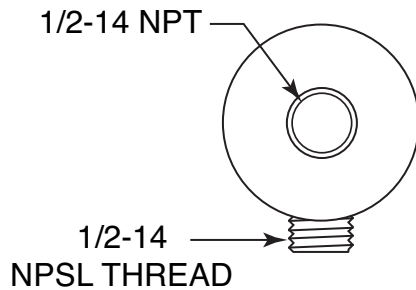
WARRANTY

- Warranted for one year against material or manufacturing defects

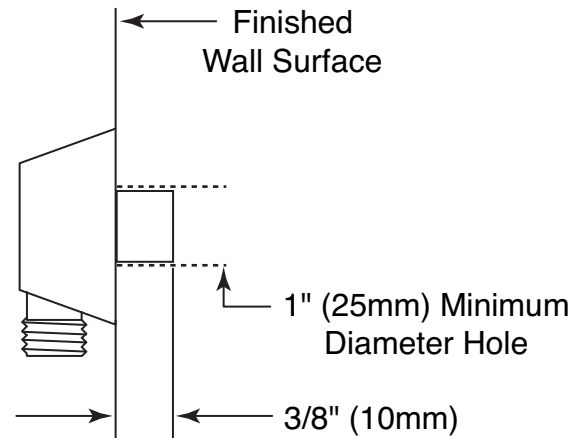


DROP ELL

Models: A725, A725P, A725W, A725ORB, A725WR, A725AN, A725BB, A725BN, A725CG, A725PM, A725ST, A725NL



BACK VIEW



SIDE VIEW

CRITICAL DIMENSIONS

(DO NOT SCALE)