

DESCRIPTION

- Metal construction with chrome plated and glacier, LifeShine® polished brass, Platinum, Black Opal™, Classic Gold, Satine™ or Nickel finish
- 1/2" IPS connections
- Includes metal pop-up type waste assembly on 4000 series models
- Includes 50/50 pop-up type waste assembly on 80000 series models

OPERATION

- Lever style handles (less handle inserts)
- Hot side counterclockwise to open (clockwise to close)
- Cold side clockwise to open (counterclockwise to close)
- Includes hot (red) and cold (blue) color indicators

FLOW

- Aerator is limited to 2.2 gpm (8.3 L/min)

CARTRIDGE

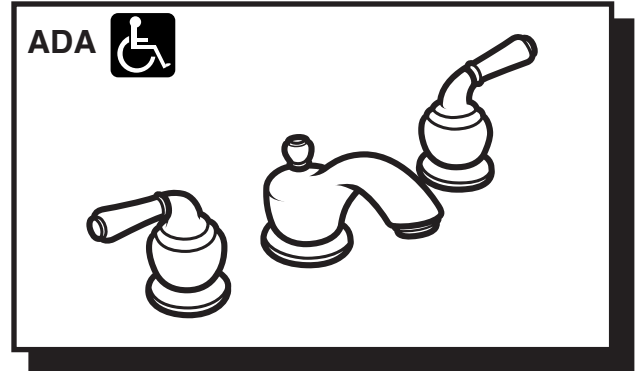
- 1224 cartridge design
- Nonmetallic and stainless steel material

STANDARDS

- Third party certified by CSA and IAPMO to meet ASME A112.18.1M and all applicable requirements referenced therein and complies with the applicable requirements of ANSI A117.1
- Certified to ANSI/NSF 61/9
- Complies with California Proposition 65 and with the Federal Safe Water Drinking Act

WARRANTY

- Lifetime limited warranty against leaks, drips and finish defects to the original consumer purchaser
- 5 year warranty if used in commercial installations



MONTICELLO® INSPIRATIONS™ Two-Handle Widespread Lavatory Faucet

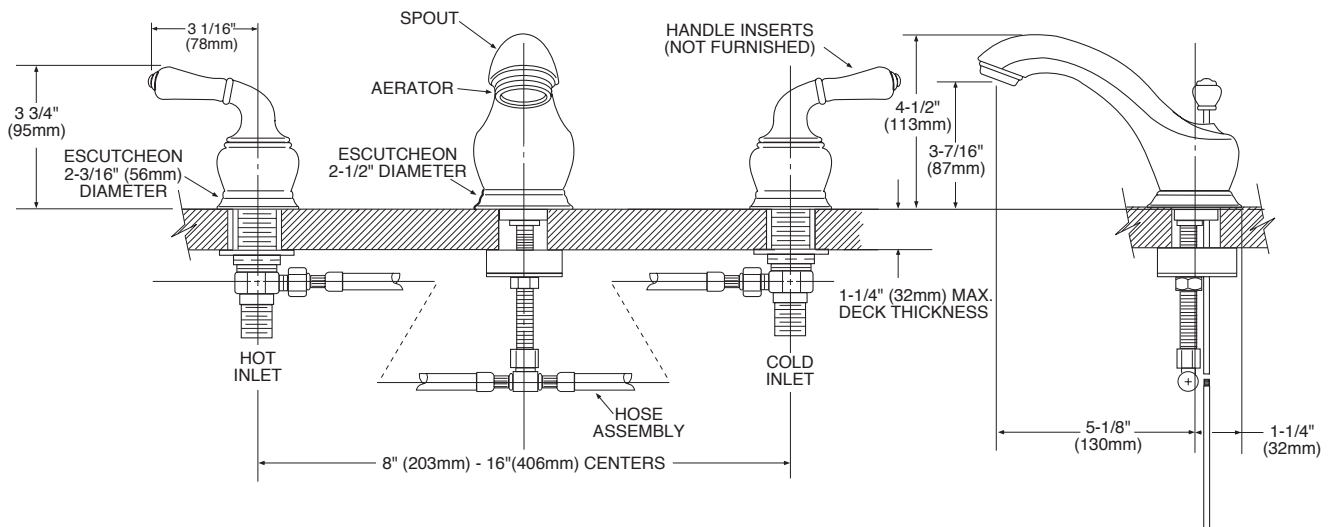
(Less Handle Inserts on 4000 series models)
(Handle Inserts included on 80000 series models)

Models: 4570, 4570CP, 4570P, 4570W, T4570, T4570CP, T4570CPC, T4570P, T4570PM, T4570PMC, T4570ST, T4570STP, T4570W, R4570, R4570P, R4570PM, R4570BP, R4570CG, R4570ST, RT4570, RT4570P, RT4570PM, RT4570BP, RT4570CG, RT4570ST, RT4570NL, A4570, A4570P, A4570PM, A4570BP, A4570CG, A4570ST, A4570NL, 84240, 84240W, 84240PM, 84244, 84246, 84250, 84250PM, 84250ST, 84252ST, 84254

Valve: 9000, 69000

NOTE: SPOUT INSTALLS THROUGH 1-1/8" MIN. DIA. HOLE. VALVES INSTALL THROUGH 1-1/8" MIN. DIA. HOLE

NOTE: See reverse side for illustrated parts and handle options
NOTE: For deck thickness 1-3/8" - 3", use service kit # 115001. Valves install through 1-1/4" dia. hole.



CRITICAL DIMENSIONS

(DO NOT SCALE)