



Buy it for looks. Buy it for life.®

Specifications

FAUCET DESCRIPTION

- Metal construction with various finishes identified by suffix

OPERATION

- Lever style handle with temperature indicator on the escutcheon, pull-on/push-off operation
- Temperature operates through an 180° arc of handle travel (full cold to full hot)
- Adjustable temperature limit stop to control maximum hot water temperature
- Pressure balancing mechanism maintains selected discharge temperature to $\pm 3.6^{\circ}\text{F}$ ($\pm 2^{\circ}\text{C}$)


FLOW

- Showerhead limited to 2.5 gpm (9.5 L/min) at 60 psi

CARTRIDGE

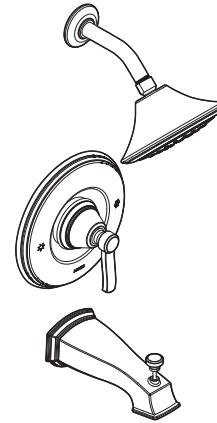
- 1225 cartridge design
- Nonmetallic/nonferrous and stainless steel materials
- Accommodates back to back installations

STANDARDS

- Third party certified to ASME A112.18.1/CSA B125.1 and all applicable requirements referenced therein including ASSE 1016
- **ADA**  for lever handle

WARRANTY

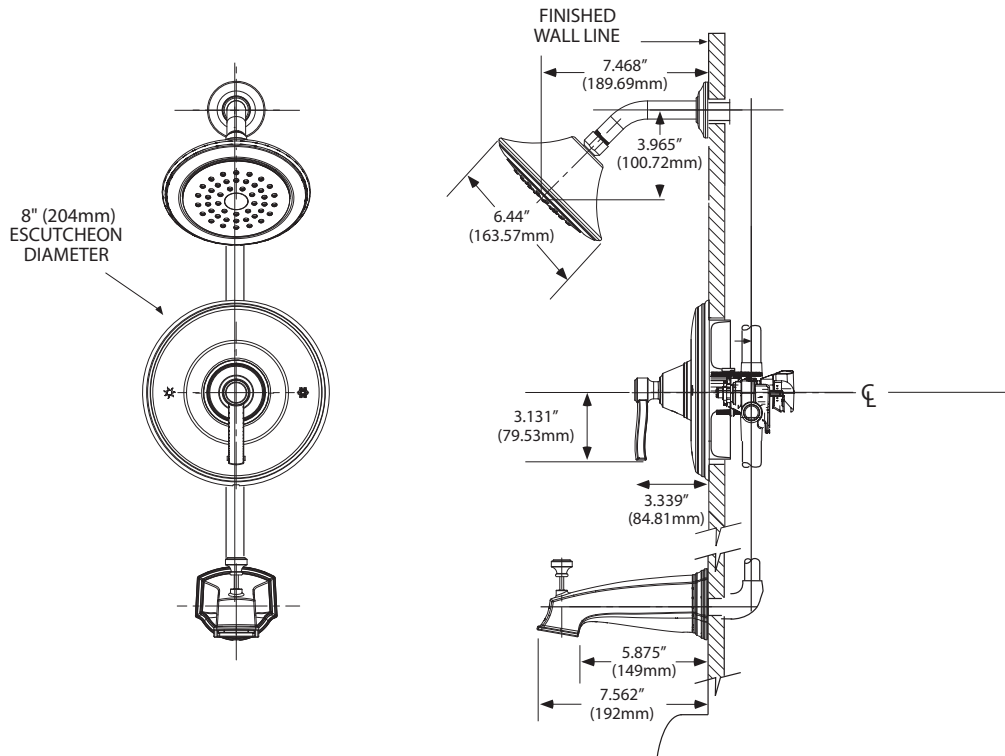
- Lifetime limited warranty against leaks, drips and finish defects to the original consumer purchaser
- 5 year warranty if used in commercial installations



ROTHBURY™ MOENTROL® Single-Handle Tub/Shower (Trim Only)

Models: T3211 series-valve trim only
T3212 series-shower trim only
T3213 series-tub/shower trim

Valves: 63100 series
3500 series



CRITICAL DIMENSIONS

(DO NOT SCALE)