

## DESCRIPTION

- Handheld shower available in chrome plated, LifeShine® brushed nickel, or LifeShine® hammered nickel finishes
- 69" double interlock spiral hose (metal)
- Vacuum breaker

## OPERATION

- Three function

## FLOW

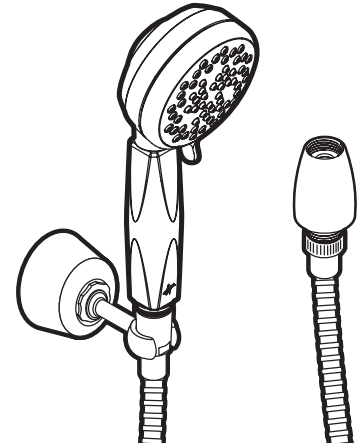
- Meets 2.5 gpm max (9.5 L/min)

## STANDARDS

- Third party certified to ASME A112.18.1/CSA B125.1, and all applicable requirements referenced therein including ASSE 1014

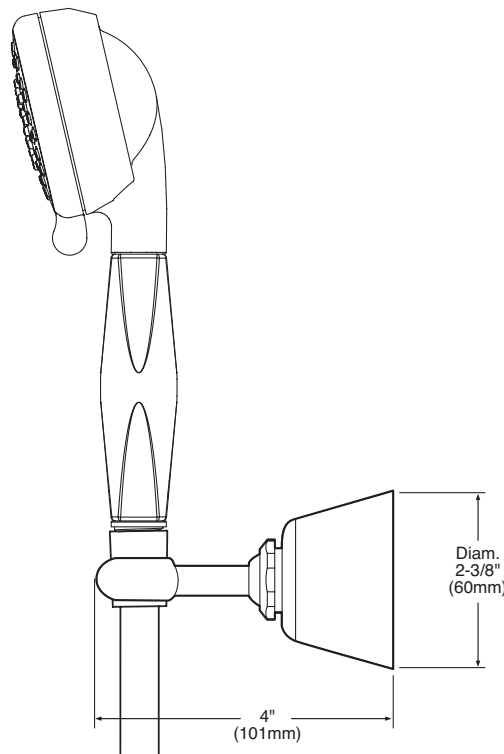
## WARRANTY

- Warranted for one year against material or manufacturing defects



**Divine™**  
**Handshower w/Bracket & Hose**

**Models:** S155, S155BN, S155HN



## CRITICAL DIMENSIONS

(DO NOT SCALE)