



Buy it for looks. Buy it for life.®

Specifications

DESCRIPTION

- Metal construction with, a chrome plated, chrome with porcelain, LifeShine® polished brass, LifeShine® brushed nickel, black opal, classic gold, platinum, satine or glacier finish
- Pressure balancing cycle valve design with an adjustable temperature limit stop
- 1/2" CC connections

OPERATION

- Handle operates counterclockwise through a 270° arc with off at 6 o'clock and maximum hot at the 9 o'clock position. Shut off in clockwise direction
- Adjustable temperature limit stop to control maximum hot water temperature
- Pressure balancing mechanism maintains selected discharge temperature to ± 2°

CARTRIDGE

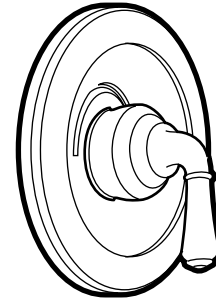
- 1222 cartridge design
- Nonmetallic/nonferrous and stainless steel materials
- Accommodates back to back installations

STANDARDS

- Third party certified to meet CSA B-125, ASME A112.18.1M, ANSI A117.1 and all applicable requirements referenced therein

WARRANTY

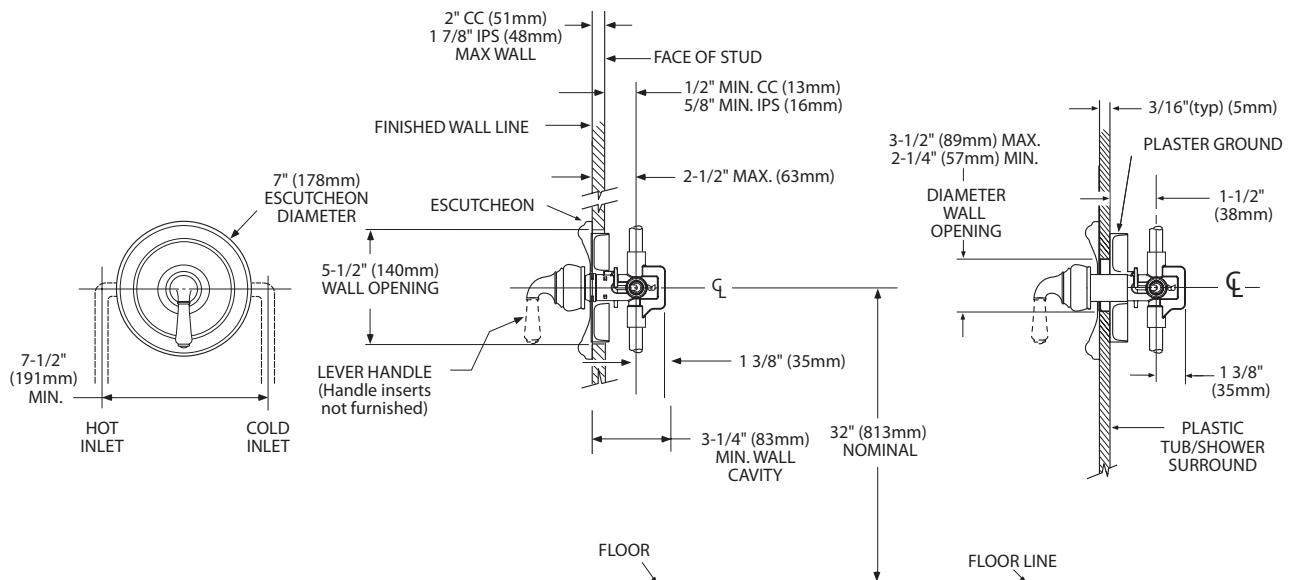
- Lifetime limited warranty against leaks, drips and finish defects to the original consumer purchaser
- 5 year warranty if used in commercial installations



MONTICELLO® POSI-TEMP® Single Handle Tub/Shower (Trim Only)

Models: T2343, T2343P
(Bulk Packed 12 per carton)

T2442, T2442BN, T2442CP, T2442CPC, T2442P,
T2442ST, T2442PM
(Packed 1 per carton)



CRITICAL DIMENSIONS

(DO NOT SCALE)