



Buy it for looks. Buy it for life.®

*There is more than 1 version of this model.  
Page down to identify the version you have.*

### DESCRIPTION

- Metal construction with various finishes identified by suffix
- 1/2" IPS connections

### OPERATION

- Pivot action lever style handle
- Temperature controlled through 180° degree arc of handle travel


### FLOW

- Flow is limited to 1.5 gpm max (5.7L/min) at 60 psi, for products made before October 2008 flow is limited to 2.2 gpm max (8.3 L/min)

### CARTRIDGE

- 1225 cartridge design
- Nonmetallic/nonferrous and stainless steel material
- Can accommodate reversed piping and back to back installations

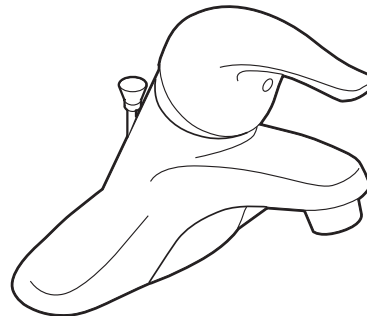
### STANDARDS

- Third party certified to WaterSense,® CSA B125.1, ASME A112.18.1, ICC A117.1, and all applicable requirements referenced therein
- Certified to ANSI/NSF 61/9
- Complies with California Proposition 65 and with the Federal Safe Drinking Water Act
- **ADA**  for lever handle

### WARRANTY

- Lifetime limited warranty against leaks, drips and finish defects to the original consumer purchaser
- 5 year warranty if used in commercial installations

# Specifications



## CHATEAU® Single-Handle Lavatory Faucet

with Metal Waste Assembly  
Models: L4621 series

**Bulk Pack Models (12 Per Carton):** L64620 series

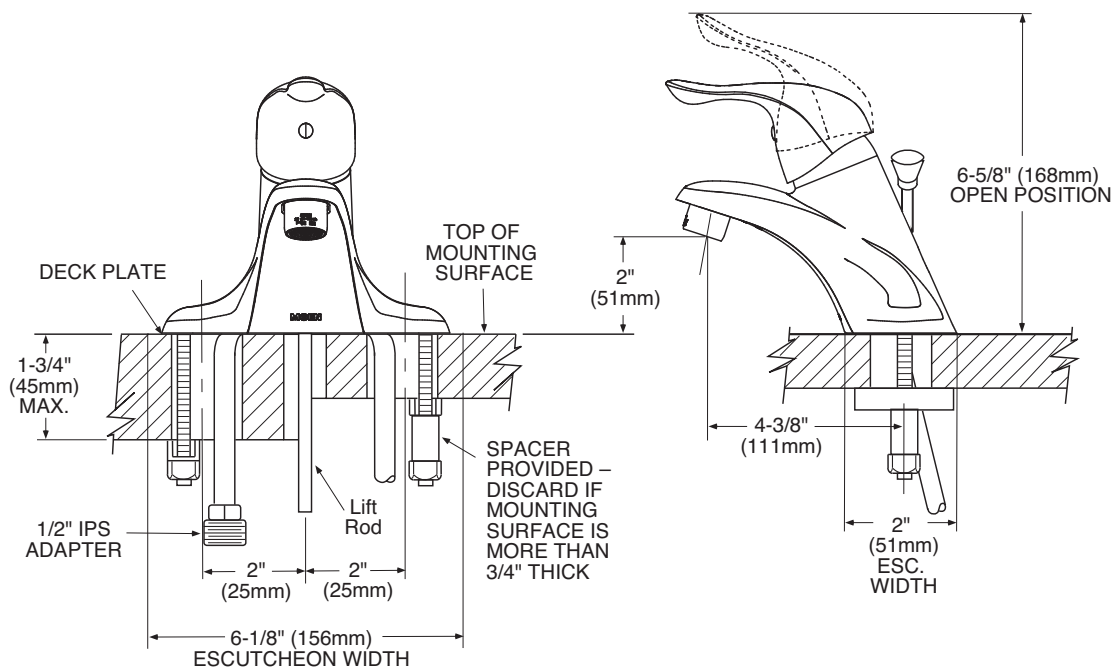
with 50/50 Waste Assembly

**Bulk Pack Model (12 Per Carton):** L64621 series

Less Waste  
Model: L4601 series

**Bulk Pack Model (12 Per Carton):**  
L64601series

**NOTE:** THIS FAUCET IS DESIGNED TO BE  
INSTALLED THRU 3-1" DIA. HOLES, 2" ON CENTER



### CRITICAL DIMENSIONS

(DO NOT SCALE)



Buy it for looks. Buy it for life.®

# Specifications



## DESCRIPTION

- Metal construction with various finishes identified by suffix
- 1/2" IPS connections

## OPERATION

- Pivot action lever style handle
- Temperature controlled through 180° degree arc of handle travel


## FLOW

- Flow is limited to 1.5 gpm max (5.7L/min) at 60 psi, for products made before October 2008 flow is limited to 2.2 gpm max (8.3 L/min)

## CARTRIDGE

- 1225 cartridge design
- Nonmetallic/nonferrous and stainless steel material
- Can accommodate reversed piping and back to back installations

## STANDARDS

- Third party certified to WaterSense,® CSA B125.1, ASME A112.18.1, ICC A117.1, and all applicable requirements referenced therein
- Certified to ANSI/NSF 61/9
- Complies with California Proposition 65 and with the Federal Safe Drinking Water Act
- **ADA**  for lever handle

## WARRANTY

- Lifetime limited warranty against leaks, drips and finish defects to the original consumer purchaser
- 5 year warranty if used in commercial installations

## CHATEAU®

### Single-Handle Lavatory Faucet

with Metal Waste Assembly  
Models: L4621 series

**Bulk Pack Models (12 Per Carton):** L64620 series

with 50/50 Waste Assembly

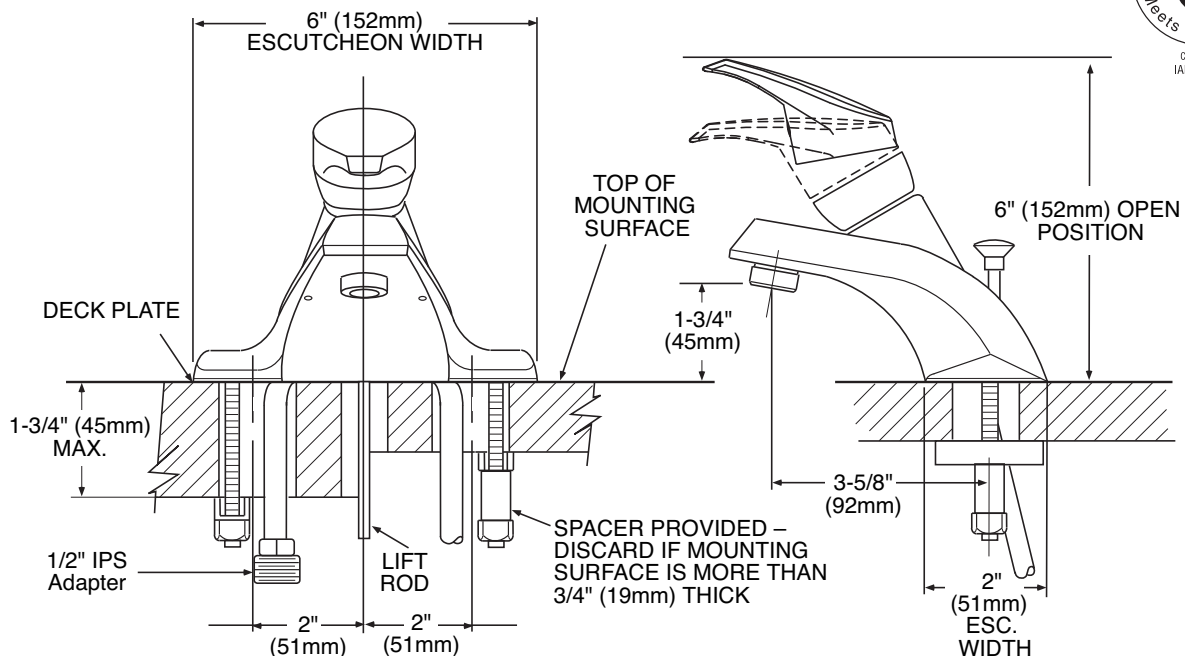
**Bulk Pack Models (12 Per Carton):** L64621 series

Less Waste

Models: L4600 series, L4601 series

**Bulk Pack Models (12 Per Carton):**  
L64601 series

**NOTE:** THIS FAUCET IS DESIGNED TO BE INSTALLED THRU 3-1" DIA. HOLES, 2" ON CENTER



## CRITICAL DIMENSIONS

(DO NOT SCALE)