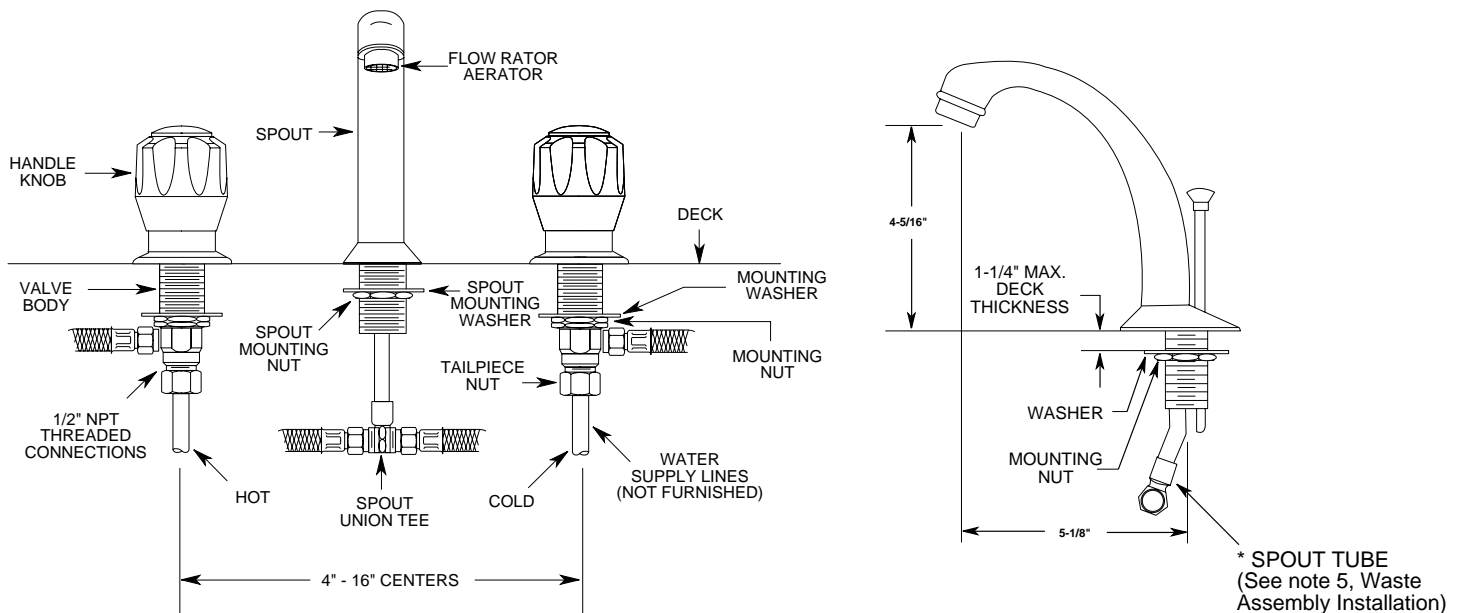




# INSTALLATION INSTRUCTIONS

THESE INSTRUCTIONS MUST BE LEFT WITH HOMEOWNER

## TWO-HANDLE WIDESPREAD LAVATORY FAUCET



Complies with ASME A112.18.1M and CSA B125

SPOUT INSTALLS THROUGH 1\"/>

**CAUTION:** Always turn water off before disassembling the valve. Open valve handle to relieve water pressure and to insure that complete water shut-off has been accomplished.

Before turning water on during either rough-in or trim-out, make sure that the cartridge retainer nuts are in place. The cartridges and retainer nuts were properly installed and tested before leaving the factory. Although it is unlikely, it is nevertheless possible that through the handling of the valve by any number of persons the cartridge retainer nuts may not be properly installed. This should be carefully checked at time of rough-in and trim-out. If the retainer nuts are not properly installed, water pressure could force the cartridge out of the casting. Personal injury or water damage to the premises could result.

# Installation Instructions

Fill the recess under the valve and spout escutcheons with plumber's putty (not included). Place spout with escutcheon and adapter in place down through the center hole. Put washer over spout shank. Screw on mounting nut and make hand-tight. Turn mounting nuts on valve bodies all the way down, for basin clearance, and drop on mounting washers.

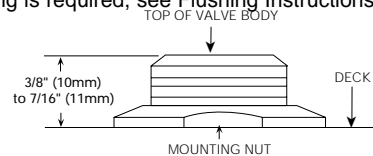
With the valve bodies and supply tubing assembled under the sink, slide the bodies up through the holes. Screw top mounting nuts down until top of valve bodies are 3/8" to 7/16" from top of deck. (See illustration). Place a

3/8" bead of plumber's putty (not supplied) around the underside of handle escutcheons. Screw the escutcheons onto valve bodies and hand-tighten them until they bottom out. Screw the mounting nuts and washers up against the bottom of the basin and hand-tighten. Hold the valve bodies from turning by using another wrench on valve body flats. Install supply tubing to spout "T". Hold back spout tee with wrench when tightening supply tube.

Test the lift rod to make sure it operates freely. NOTE: If lift rod binds against spout union tee, carefully bend spout tube slightly outward to clear lift rod.

Install handle knob onto stem extension. Install handle screw and tighten. Snap on handle inserts. Repeat with the other knob. Make final tightening of all mounting nuts from below with a basin wrench. Install waste assembly, see Lavatory Lift Rod and Waste Assembly then connect valve bodies to water supply lines, do not turn on water at this time. Faucet flushing is required, see Flushing Instructions.

**NOTE:** to properly install handle escutcheon and handle, valve bodies must be above deck at dimensions shown.



IF HANDLE ROTATION IS REVERSED: **TURN OFF WATER SUPPLIES AND OPEN HANDLES TO ALLEVIATE PRESSURE.** Remove handle, cartridge nut and upper handle adapter. Lift lower handle adapter and turn 180°, then reset on top of cartridge stem. Reinstall all components, making sure the cartridge nuts from both sides are secure before turning water on, **CAUTION: BE SURE NOT TO CROSS THREAD CARTRIDGE NUTS DURING INSTALLATION.**

## Disassembly

**CAUTION: Turn OFF BOTH water supplies, then open knobs to relieve pressure.**

1. Remove handle knob insert and handle screw then lift off the handle knob.
2. Loosen the cartridge nut with an adjustable wrench and remove it and the stem guide as a unit together with the stem extension.
3. Set aside the cartridge nut and stem guide and with the stem extension installed, reassemble handle knob, handle screw and tighten.
4. Grasp the handle knob and pull the cartridge STRAIGHT UP and out of the valve body.

## Reassembly

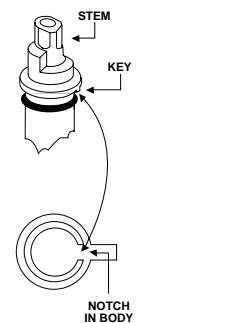
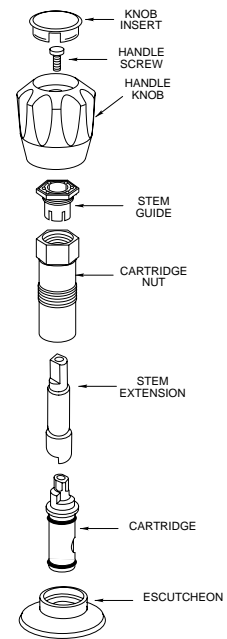
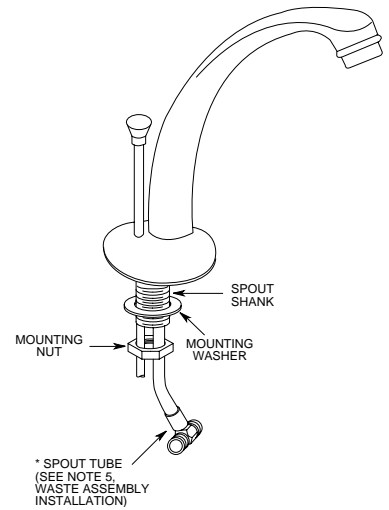
**CAUTION: Failure to follow these instructions can cause a faulty installation or damage the new cartridge.**

1. Assemble the handle knob and the stem extension to the new cartridge with the handle screw. Turn stem to the ON position, waterway holes in cartridge are lined up.
2. Insert the cartridge straight into the valve body.
3. Now press down firmly while rotating handle knob counterclockwise. This will align the "KEY" on the cartridge with the "NOTCH" in the valve body. When the key enters the notch you will feel it drop in and the cartridge will be in place. To be certain, rotate the handle clockwise and then counterclockwise with gentle force. You should feel the handle knob stop in both directions. If so, the cartridge is in place. **Do not turn the water on yet.**
4. Remove handle screw and handle knob. Install cartridge nut with stem guide over the stem extension, start by hand DO NOT CROSS THREAD. Firmly tighten cartridge nut and stem guide using an adjustable wrench.
5. Replace handle parts. Turn on water supplies.

## Flushing Instructions

**IMPORTANT:** Pipe chips, sand, stones and other solids found in new and renovated plumbing can damage the sealing surfaces of the cartridge and cause a leak. To avoid damage, DO NOT TURN ON SUPPLY VALVES until instructed below.

1. After installing and connecting your new faucet, open both hot and cold cartridges.
2. Turn on both hot and cold water supply valves and allow the water to run for 15 seconds.
3. Turn off the hot and cold cartridges, unscrew the aerator from the end of the spout and clean any debris from the aerator screen.
4. Replace the aerator and check the system for leaks.

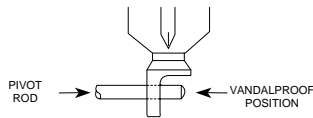


FOR LOCATING CARTRIDGE PROPERLY

# Lavatory Lift Rod and Waste Assembly

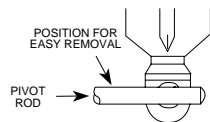
1. Thoroughly clean around drain opening in lavatory sink. Apply 1/4 inch bead of plumber's putty (not furnished) around the bottom side of seat.
2. Apply pipe joint compound or Teflon tape (not furnished) to top threaded end of the drain body. Slip drain body up through the drain opening and screw seat on the drain body.
3. Position the drain body with pivot rod opening extending rearward and tighten mounting nut until the drain body is snug. Wipe excess plumber's putty from the seat area. Apply pipe joint compound (not furnished) to top threaded end of tailpipe and screw into drain body. Tighten firmly by hand.
4. Position drain plug in either of the following ways:
  - A. VANDALPROOF - this design is to prevent unauthorized removal of the drain plug. Unscrew the pivot nut and remove the pivot rod. Inside the drain body position the pivot rod through the drain plug hole as shown in the illustration below. Screw the pivot nut back on the drain body. **DO NOT OVERTIGHTEN.**

## A. VANDALPROOF



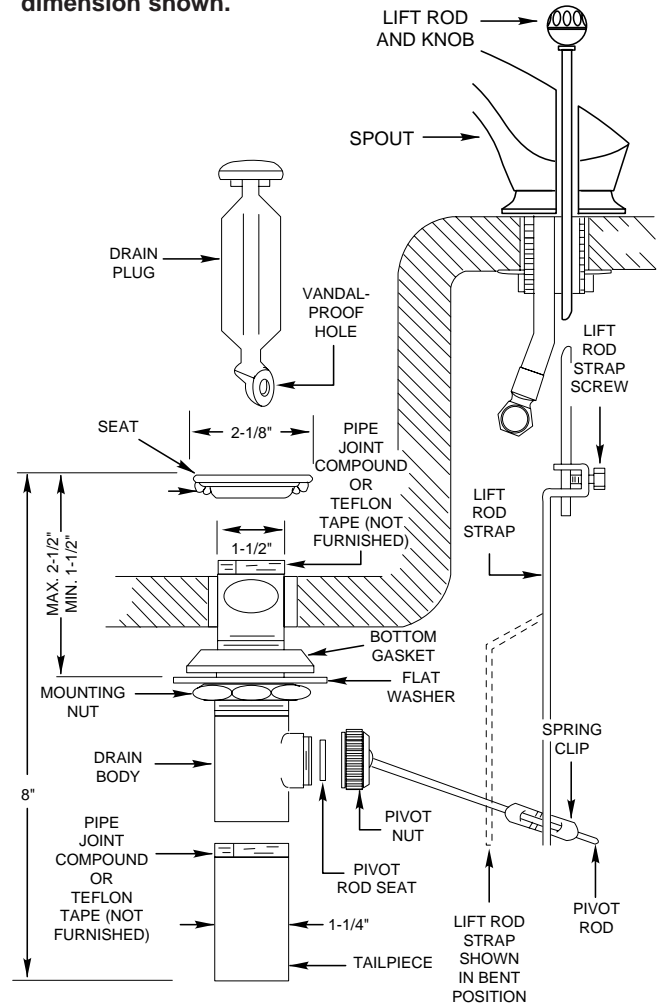
- B. EASY REMOVAL - This design is for quick removal of drain plug for cleaning. Just drop in the drain plug as shown in the illustration below.

## B. EASY REMOVAL

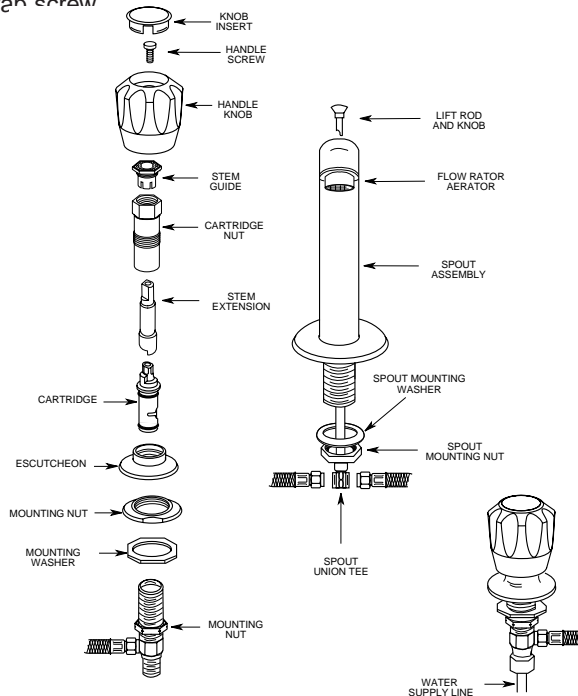


5. Install lift rod, with knob attached, into top of spout as shown. Secure lift rod strap to bottom end of lift rod as shown. With pivot rod in the down position, assemble strap to pivot rod using the spring clip. The strap will have to be bent to reach the pivot rod on some installations. Adjustment may be required so lift rod clears spout tube and connection (i.e., bend spout tube outwards).
6. With the drain plug in full open position, adjust lift rod and knob to clear faucet and tighten lift rod strap screw.

**CAUTION:** To avoid the lift rod knob rubbing against spout, do not install rod any lower than dimension shown.



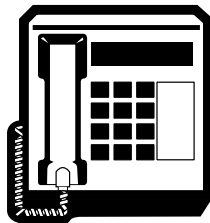
## FAUCET PARTS



# Consumer Information

Faucets made of leaded brass alloys may contribute small amounts of lead to water that is allowed to stand in contact with the brass. The amount of lead contributed by any faucet is highest when the faucet is new. The following steps may reduce potential exposure to lead from faucets and other parts of the plumbing system:

- Always run the water for a few seconds prior to use for drinking or cooking.
- Use only cold water for drinking or cooking.
- If you wish to flush the entire plumbing system of water that has been standing in the pipes or other fittings, run the cold water until the temperature of the water drops, indicating water coming from the outside main.
- If you are concerned about lead in your water, have your water tested by a certified laboratory in your area.



## HELPLINE:

For answers to any product, installation, replacement parts or warranty questions, call our consumer helplines.

In the U.S., toll free:  
**1-800-321-6636**

In Canada call:  
**Toronto, 905-829-3400**  
**Rest of Canada, 1-800-465-6130**



Moen Incorporated 25300 Al Moen Drive, North Olmsted, OH 44070-8022, U.S.A.  
In Canada:  
Moen Inc. 2816 Bristol Circle, Oakville, Ontario L6H5S7