

DESCRIPTION

- Metal construction with chrome plated finish
- 1/2" IPS connections
- Includes hot and cold indicators
- Includes metal/polypropylene pop-up type waste assembly for model 84422; less waste assembly for model 84420

OPERATION

- Knob style handles
- Maximum handle rotation angle is 180° to full on for either handle.
- Hot side counterclockwise to open (clockwise to close).
- Cold side counterclockwise to open (clockwise to close).

FLOW

- Aerator is limited to 2.2 gpm (8.3 L/min)

CARTRIDGE

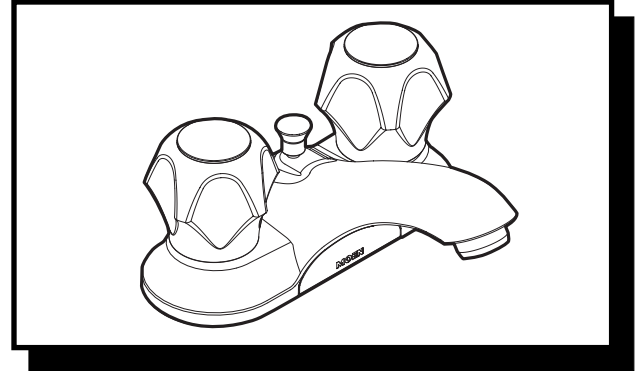
- 1224 Cartridge design
- Nonmetallic and stainless steel material

STANDARDS

- Third party certified to CSA B125 and ASME A112.18.1M and all applicable requirements referenced therein
- Certified to ANSI/NSF 61/9
- Complies with California Proposition 65 and with the Federal Safe Water Drinking Act

WARRANTY

- Lifetime limited warranty against leaks, drips and finish defects to the original consumer purchaser
- 5 year warranty if used in commercial installations

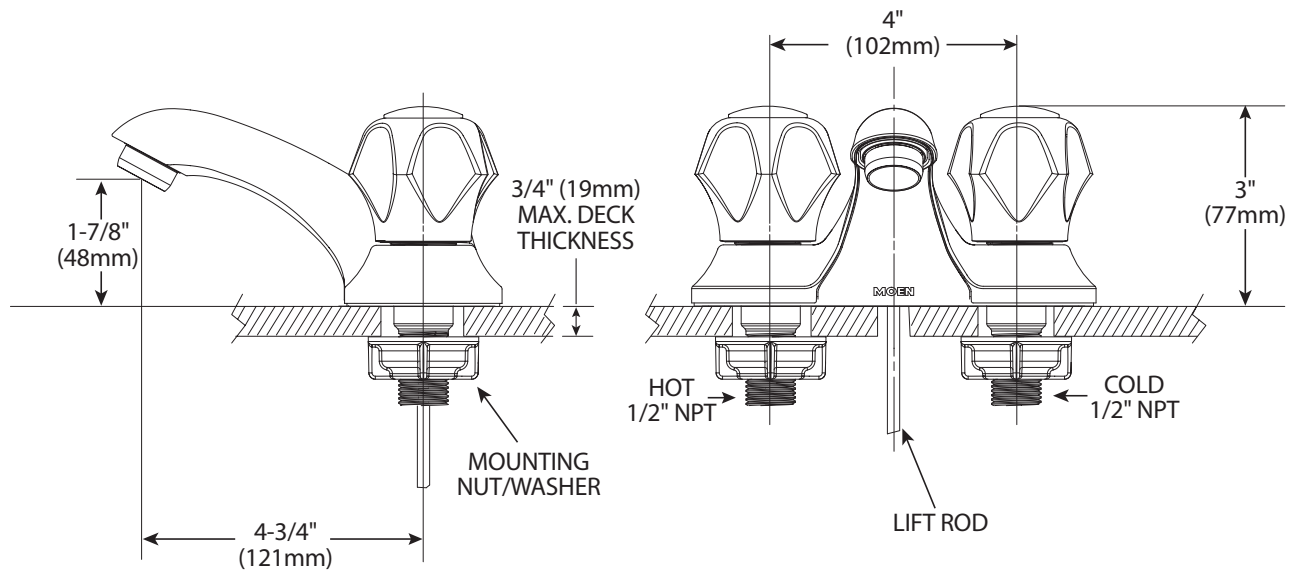


Two Handle Lavatory Faucet

Models: 84422, 84420

NOTE: See reverse side for illustrated parts and handle options

NOTE: THIS FAUCET IS DESIGNED TO BE INSTALLED THRU 3 HOLES, 1" (25mm) MIN. DIA.



CRITICAL DIMENSIONS

(DO NOT SCALE)