

DESCRIPTION

- Solid brass, high-arc spout
- Metal construction with a chrome plated, glacier, LifeShine® polished brass, Platinum, Black Opal™, Classic Gold, or Satine™ finish
- 1/2" IPS connections
- For wide spread installations, on 8" to 16" centers
- Includes metal pop-up type waste assembly

OPERATION

- Lever style handles (less handle inserts)
- Easy 1/4 turn control
- Hot side counterclockwise to open (clockwise to close)
- Cold side clockwise to open (counterclockwise to close)
- Includes hot (red) and cold (blue) color indicators

FLOW

- Aerator is limited to 2.2 gpm (8.3 L/min)

CARTRIDGE

- 1224 cartridge design
- Washerless one-piece patented Moen® cartridge
- Nonmetallic and stainless steel material

STANDARDS

- Third party certified to CSA B125, ASME A112.18.1M, ANSI A117.1 and all applicable requirements referenced therein
- Certified to ANSI/NSF 61/9
- Complies with California Proposition 65 and with the Federal Safe Water Drinking Act

WARRANTY

- Lifetime limited warranty against leaks, drips and finish defects to the original consumer purchaser
- 5 year warranty if used in commercial installations



MONTICELLO® INSPIRATIONS™ CATHEDRAL™ HIGH-ARC

Two-Handle Widespread Lavatory Faucet w/Metal Waste Assembly

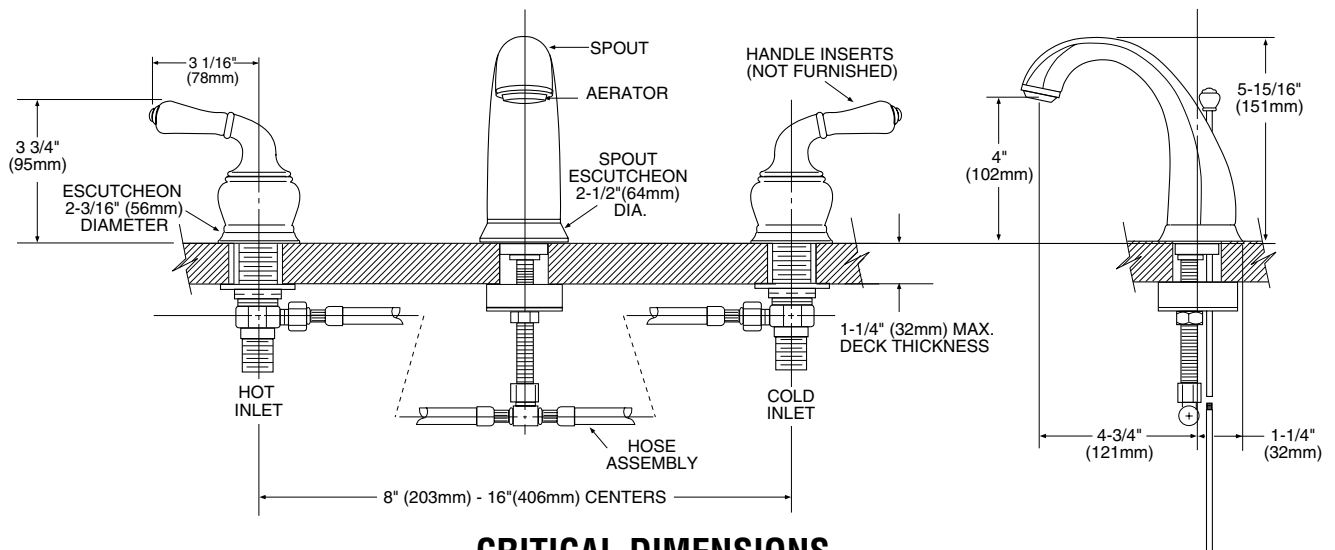
- Models:**
1. 4572, 4572CP, 4572P, 4572W
 2. T4572, T4572CP, T4572P, T4572W
 3. R4572, R4572P, R4572PM, R4572BP, R4572CG, R4572ST
 4. RT4572, RT4572P, RT4572PM, RT4572BP, RT4572CG, RT4572ST
 5. A4572, A4572P, A4572PM, A4572BP, A4572CG, A4572ST
 6. Valve: 9000, 69000

NOTE: See reverse side for illustrated parts and handle options

NOTE: THIS FAUCET IS DESIGNED TO BE INSTALLED FROM

8" to 16", THRU 3 HOLES, 1-1/8" SPOUT MIN. DIA.
VALVES INSTALL THROUGH 1-1/8" HOLES

NOTE: For deck thickness 1-3/8" - 3", use service kit # 115001. Valves install through 1-1/4" dia. hole.



CRITICAL DIMENSIONS

(DO NOT SCALE)