



Buy it for looks. Buy it for life.®

Specifications

DESCRIPTION

- Various finishes identified by suffix
- Handheld shower
- 69" double interlock spiral hose (metal)
- Vacuum breaker
- 30" slide bar with push button height selection

FLOW

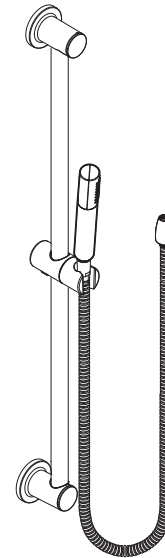
- Designed to deliver 2.5 gpm (9.5L/min) max. at 60 psi

STANDARDS

- Designed and manufactured to comply with the applicable requirements of: ASME A112.18.1/CSA B-125.1, ASSE 1014 and all applicable specifications referenced therein

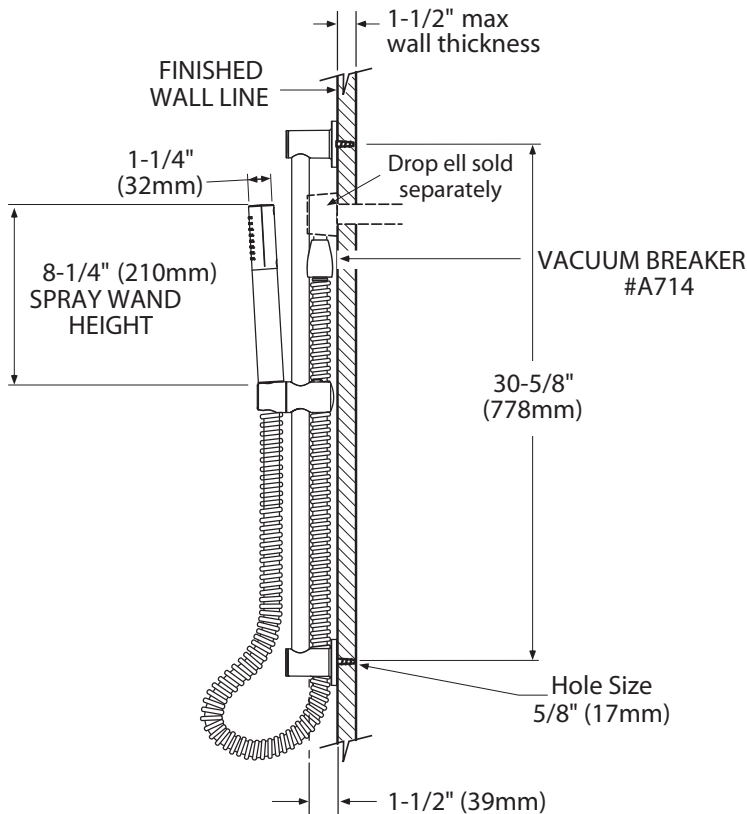
WARRANTY

- Warranted for one year against material or manufacturing defects



LEVEL™ Single Function Handshower w/Slide Bar

Model: 3887 series (30")



CRITICAL DIMENSIONS

(DO NOT SCALE)