

The Bose® Lifestyle® SA-2 and SA-3 Stereo Amplifier

Owner's Guide

Guía del usuario

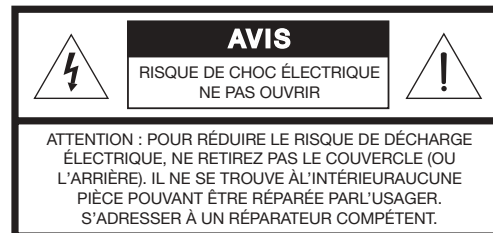
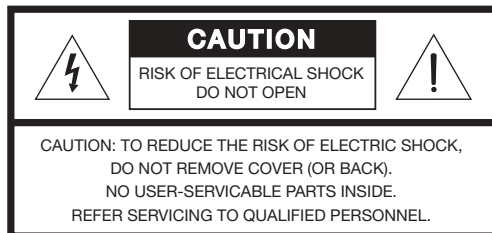
Notice d'utilisation

BOSE®



⚠ WARNING: To reduce the risk of fire or electrical shock, do not expose the product to rain or moisture.

⚠ WARNING: The apparatus shall not be exposed to dripping or splashing, and objects filled with liquids, such as vases, shall not be placed on the apparatus. As with any electronic products, use care not to spill liquids into any part of the system. Liquids can cause a failure and/or a fire hazard.



These CAUTION marks are located on the enclosure of your product:



The exclamation point within an equilateral triangle, as marked on the system, is intended to alert the user to the presence of important operating and maintenance instructions in this owner's guide.



The lightning flash with arrowhead symbol within an equilateral triangle alerts the user to the presence of uninsulated dangerous voltage within the system enclosure that may be of sufficient magnitude to constitute a risk of electrical shock.

Class B emissions

This Class B digital apparatus meets all requirements of the Canadian Interference-Causing Equipment Regulations.

⚠ CAUTION: To prevent electric shock, match the wide blade of the line cord plug to the wide slot of the AC (mains) receptacle. Insert fully.

⚠ CAUTION: This product is not designed for use in recreational vehicle or marine applications.


⚠ WARNING: No naked flame sources, such as lighted candles, should be placed on the apparatus.

🎵 Note: The product label is located on the bottom of the product.

Please read this owner's guide

Please take the time to follow the instructions in this owner's guide carefully. It will help you set up and operate your system properly and enjoy all of its advanced features. Please save this owner's guide for future reference.

©2004 Bose Corporation. No part of this work may be reproduced, modified, distributed or otherwise used without prior written permission. All trademarks referenced herein are property of Bose Corporation. All rights reserved. Bose, Acoustimass, Lifestyle, Personal and Wave are registered trademarks of Bose Corporation.

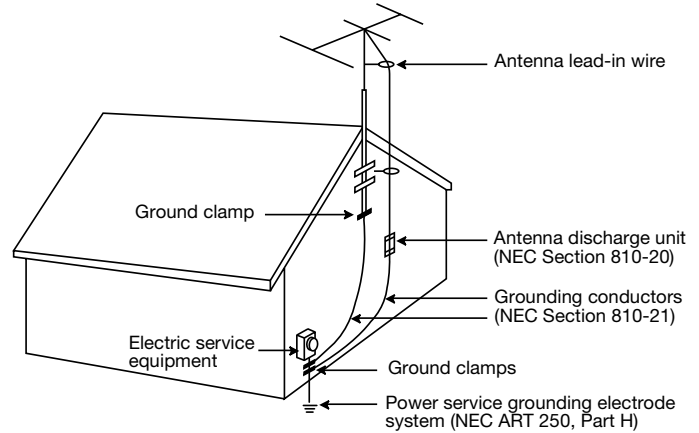
1. **Read these instructions** – for all components before using this product.
2. **Keep these instructions** – for future reference.
3. **Heed all warnings** – on the product and in the owner's guide.
4. **Follow all instructions.**
5. **Do not use this apparatus near water or moisture** – Do not use this product near a bathtub, washbowl, kitchen sink, laundry tub, in a wet basement, near a swimming pool, or anywhere else that water or moisture are present.
6. **Clean only with a dry cloth** – and as directed by Bose® Corporation. Unplug this product from the wall outlet before cleaning.
7. **Do not block any ventilation openings. Install in accordance with the manufacturer's instructions** – To ensure reliable operation of the product and to protect it from overheating, put the product in a position and location that will not interfere with its proper ventilation. For example, do not place the product on a bed, sofa, or similar surface that may block the ventilation openings. Do not put it in a built-in system, such as a bookcase or a cabinet that may keep air from flowing through its ventilation openings.
8. **Do not install near any heat sources, such as radiators, heat registers, stoves or other apparatus (including amplifiers) that produce heat.**
9. **Do not defeat the safety purpose of the polarized or grounding-type plug. A polarized plug has two blades with one wider than the other. A grounding-type plug has two blades and a third grounding prong. The wider blade or third prong are provided for your safety. If the provided plug does not fit in your outlet, consult an electrician for replacement of the obsolete outlet.**
10. **Protect the power cord from being walked on or pinched, particularly at plugs, convenience receptacles, and the point where they exit from the apparatus.**
11. **Only use attachments/accessories specified by the manufacturer.**
12. **Use only with the cart, stand, tripod, bracket or table specified by the manufacturer or sold with the apparatus. When a cart is used, use caution when moving the cart/apparatus combination to avoid injury from tip-over.** 
13. **Unplug this apparatus during lightning storms or when unused for long periods of time** – to prevent damage to this product.
14. **Refer all servicing to qualified service personnel. Servicing is required when the apparatus has been damaged in any way: such as power-supply cord or plug is damaged; liquid has been spilled or objects have fallen into the apparatus; the apparatus has been exposed to rain or moisture, does not operate normally, or has been dropped** – Do not attempt to service this product yourself. Opening or removing covers may expose you to dangerous voltages or other hazards. Please call Bose to be referred to an authorized service center near you.
15. **To prevent risk of fire or electric shock, avoid overloading wall outlets, extension cords, or integral convenience receptacles.**
16. **Do not let objects or liquids enter the product** – as they may touch dangerous voltage points or short-out parts that could result in a fire or electric shock.
17. **See product enclosure bottom for safety related markings.**
18. **Use Proper Power Sources** – Plug the product into a proper power source, as described in the operating instructions or as marked on the product.
19. **Avoid Power Lines** – Use extreme care when installing an outside antenna system to keep from touching power lines or circuits, as contact with them may be fatal. Do not install external antennas near overhead power lines or other electric light or power circuits, nor where an antenna can fall into such circuits or power lines.

20. **Ground All Outdoor Antennas** – If an external antenna or cable system is connected to this product, be sure the antenna or cable system is grounded. This will provide some protection against voltage surges and built-up static charges.

Section 810 of the National Electrical Code ANSI/NFPA No. 70 provides information with respect to proper grounding of the mast and supporting structure, grounding of the lead-in wire to an antenna discharge unit, size of grounding conductors, location of antenna-discharge unit, connection to grounding electrodes, and requirements for the ground electrode. Refer to the antenna grounding illustration on this page.

Antenna grounding

Example of antenna grounding as per National Electrical Code, ANSI/NFPA 70.



Note to CATV system installer

This reminder is provided to call the CATV system installer's attention to Article 820-40 of the NEC (of USA) that provides guidelines for proper grounding. In particular, it specifies that the cable ground shall be connected to the grounding system of the building, as close to the point of cable entry as is practical.

Information about products that generate electrical noise

If applicable, this equipment has been tested and found to comply with the limits for a Class B digital device, pursuant to Part 15 of the FCC rules. These limits are designed to provide reasonable protection against harmful interference in a residential installation. This equipment generates, uses, and can radiate radio frequency energy and, if not installed and used in accordance with the instructions, may cause harmful interference to radio communications. However, this is no guarantee that interference will not occur in a particular installation. If this equipment does cause harmful interference to radio or television reception, which can be determined by turning the equipment off and on, you are encouraged to try to correct the interference by one or more of the following measures:

- Reorient or relocate the receiving antenna.
- Increase the separation between the equipment and receiver.
- Connect the equipment to an outlet on a different circuit than the one to which the receiver is connected.
- Consult the dealer or an experienced radio/TV technician for help.

Note: *Unauthorized modification of the receiver or radio remote control could void the user's authority to operate this equipment.*

This product complies with the Canadian ICES-003 Class B specifications.

Where to find...

Introducing the Lifestyle® SA-2 and SA-3 Stereo Amplifier	5
Before you begin	5
Unpacking the carton	5
Connection panel features	6
Setting Up Your Lifestyle® Stereo Amplifier	8
Identifying your system	8
Selecting a location for your Lifestyle® stereo amplifier	9
Mounting your Lifestyle® stereo amplifier	10
Model AV-18/38/48 media center setup	11
Model AV-28 media center setup	13
Multi-room interface setup	15
Model 20 music center setup	17
Model 5 music center setup	19
Connecting speakers to your Lifestyle® stereo amplifier	21
Powering-up your system	22
Setting Up Additional Rooms For Sound	23
Setup guidelines for additional rooms	23
Setting up remote controls for other rooms	24
Setting up the amplifier room code	25
Setting Up Advanced Features	26
Amplifier mode switches	26
Stereo or mono output (SA-3 only)	26
Automatic detection of a local source (SA-3 only)	26
Single and supplemental amplifiers	26
Maintaining Your Lifestyle® Stereo Amplifier	27
Cleaning the amplifier	27
Protecting outdoor wiring	27
Troubleshooting	27
Customer service	28
Limited warranty	28
Accessories	28
Technical information	29

For your records

Record the model number, serial number, and purchase date. The serial number is located on the bottom panel of your Lifestyle® stereo amplifier.

Model: SA2 SA3

Serial number: _____

Purchase date: _____

We suggest you keep your sales receipt and a copy of your product registration card together with this owner's guide.

Before you begin

Thank you for purchasing a Lifestyle® SA-2 or SA-3 stereo amplifier. The Lifestyle® stereo amplifier provides you with a simple solution when you want to add Bose® non-powered environmental speakers or Bose non-powered accessory speakers to your Lifestyle® system. Bose proprietary Integrated Signal Processing technology, featured in the amplifier, provides full, rich stereo sound, even when the speakers are playing at low volumes. By using the Lifestyle® stereo amplifier to expand your system, you can enjoy Bose quality sound and Lifestyle® system convenience in your yard, patio, swimming deck, garage, or utility room.

Unpacking the carton

WARNING: To avoid danger of suffocation, keep the plastic bags out of the reach of children.

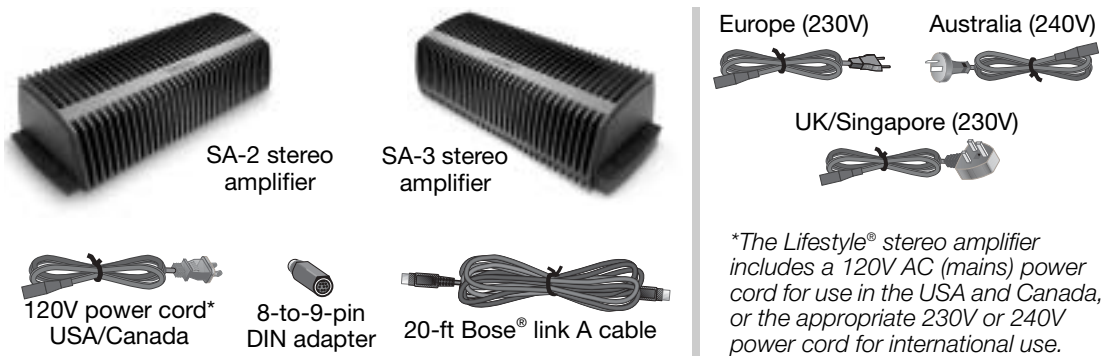
Carefully unpack the shipping carton. Make sure the shipping carton for your Lifestyle® stereo amplifier includes the parts identified in Figure 1. We recommend saving the packing materials. You may need them later. The original packing materials provide the safest way to transport this product.

Note: Locate the serial number on the bottom panel of the amplifier, and write it in the appropriate blank on page 3.

If any part of the product appears to be damaged, do not attempt to use it. Contact your authorized Bose dealer immediately, or call Bose Customer Service. Refer to the address list enclosed in the product packaging for correct phone numbers.

Figure 1

Contents of the shipping carton



Note: Use only the power cord supplied with your Lifestyle® stereo amplifier. If the power cord does not fit your power (mains) outlet, DO NOT alter the plug in any way. Contact Bose Customer Service for assistance.

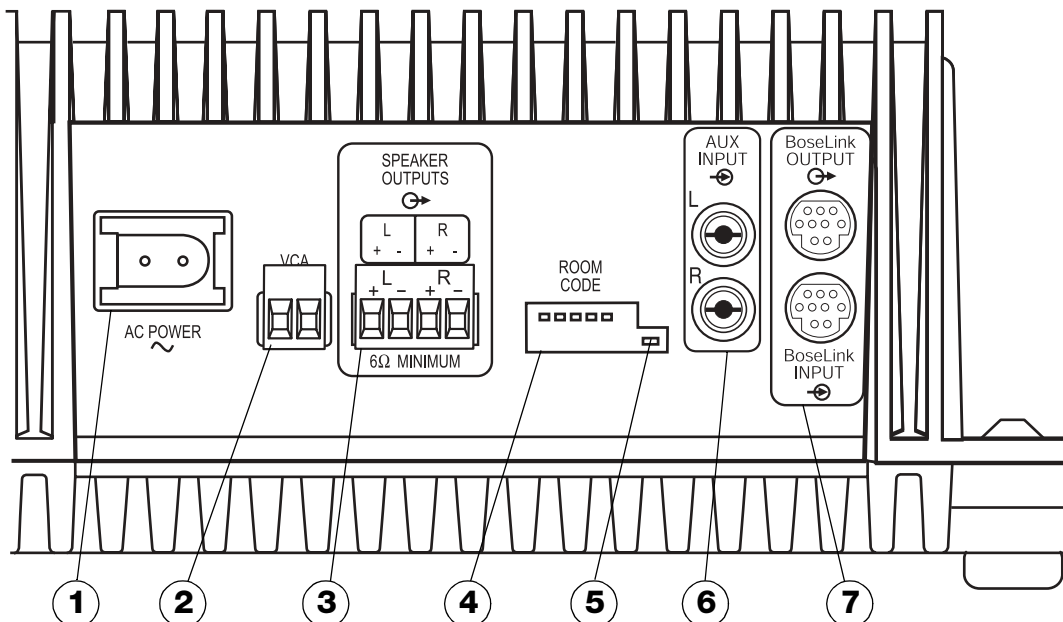
Note: The Lifestyle® stereo amplifier is designed for use with Bose non-powered environmental speakers or Bose non-powered accessory speakers ONLY.

Connection panel features

The connection panel includes the input/output connections plus room code switches and amplifier LED status indicators.

Figure 2

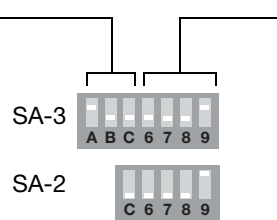
Lifestyle® amplifier connection panel



- 1 AC POWER**
AC power cord connector. There is no on/off switch on this product. Power is applied when the power cord is installed and plugged into an AC (mains) receptacle.
- 2 VCA**
Local volume control connections. Allows you to control the volume in a room using a wall-mounted control. Contact your Bose® dealer or call Bose Customer Service for information on installing this feature. See the contact list inside the back cover of this guide.
- 3 SPEAKER OUTPUTS**
Left and right amplifier speaker outputs. A 6-ohm minimum load is required. To determine the correct speaker wire size, see “Wire recommendations” on page 29.

- ④ **ROOM CODE switches**
Microswitches for setting room code and amplifier advanced features.

For switches A, B, and C, see “Setting Up Advanced Features” on page 26.



For switches 6 through 9, see “Setting up the amplifier room code” on page 25.

- ⑤ **LED status indicator**
The green LED indicates the operational state of the amplifier. See “Powering-up your system” on page 22.
- ⑥ **AUX INPUT (SA-3 only)**
Left and right channel line inputs for a local audio device.
- ⑦ **Bose® link INPUT/OUTPUT**
Nine-pin DIN connectors used for connecting the amplifier to a Bose® link network. Input signals are passed through to the output connector to allow daisy chaining.

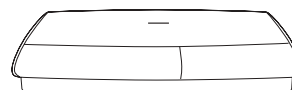
Identifying your system

The Lifestyle® stereo amplifier and additional remote come ready to be installed and used in a second room (Room B).

This section provides placement and mounting instructions for the Lifestyle® stereo amplifier. Following this information you will find a section that describes how to set up the amplifier with your particular home entertainment system.

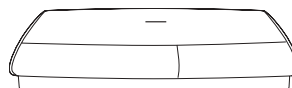
The set of instructions you need depends on whether you have a media center, music center, or multi-room interface. The product label on the bottom panel identifies the model you have.

For the AV-18, AV-38, or AV-48 media center, see “Model AV-18/38/48 media center setup” on page 11.



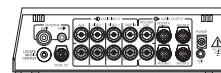
Model AV-18/38/48 media center

For the AV-28 media center, see “Model AV-28 media center setup” on page 13.



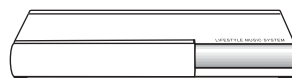
Model AV-28 media center

For the multi-room interface, see “Multi-room interface setup” on page 15.



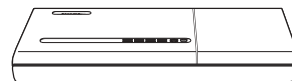
Multi-room interface

For the Model 20 music center, see “Model 20 music center setup” on page 17.



Model 20 music center

For the Model 5 music center, see, “Model 5 music center setup” on page 19.



Model 5 music center

Note: *If you are planning to use this amplifier beyond a second room, you will need to change some switch settings in the amplifier and remote. See “Setting Up Additional Rooms For Sound” on page 23.*

Selecting a location for your Lifestyle® stereo amplifier

Your Lifestyle® stereo amplifier does not need to be situated close to either your Lifestyle® system or the accessory speakers. Consider the following guidelines when selecting a location for your amplifier.

⚠ CAUTION: *DO NOT mount the amplifier on surfaces that are not sturdy enough, or that have hazards concealed behind them, such as electrical wiring or plumbing.*

⚠ CAUTION: *The amplifier must be used indoors. It is neither designed nor tested for use outdoors, in recreational vehicles, or on boats.*

- Locate the amplifier indoors and within 8 feet (2.5 m) of a power outlet.
- Make sure that the amplifier is located within the reach of the supplied 20-foot audio input cable.
- Place the amplifier in an area where the maximum ambient temperature is less than 104°F (45°C).
- For optimum performance, place the amplifier in a well-ventilated area.
- DO NOT place the amplifier in a completely enclosed area. If adequate ventilation is not provided, the amplifier will automatically protect itself by reducing its volume level in order to limit its temperature.
- DO NOT place the amplifier on any heat-sensitive surface, such as the finished surface of fine furniture. Like all electrical equipment, it generates some heat.
- DO NOT use the amplifier in a damp location. It is important to prevent moisture from getting into the unit.

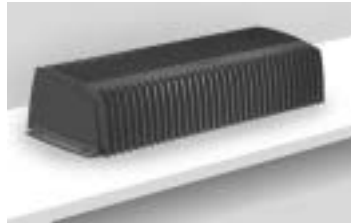
Mounting your Lifestyle® stereo amplifier

Your Lifestyle® stereo amplifier can be placed on a shelf or mounted on a wall (Figure 3).

- When placing the amplifier on a horizontal surface like a floor or shelf, the amplifier's rubber feet provide stability and prevent scratches.
- ONLY when mounting the amplifier on a wall, remove the rubber feet and use the existing guide holes in the amplifier's enclosure for mounting hardware. See Figure 4 for recommended mounting methods and hardware.
- When mounting the amplifier vertically or horizontally on a wall, ALWAYS mount the amplifier in an orientation shown in Figure 3.

Figure 3

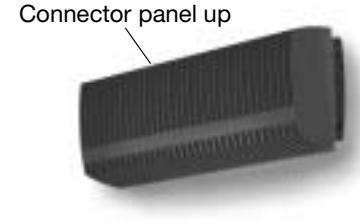
Installation options



Shelf placement



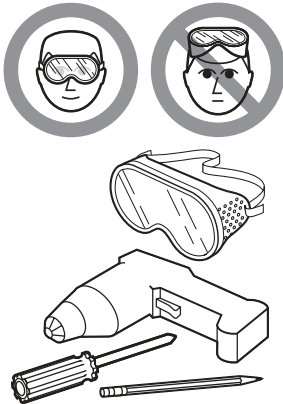
Vertically mounted on wall



Horizontally mounted on wall

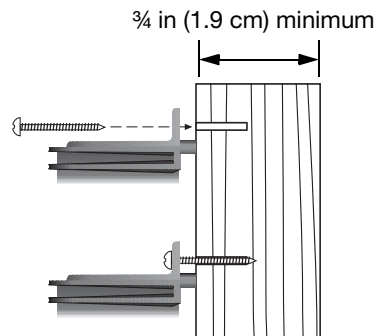
Figure 4

Mounting methods and hardware



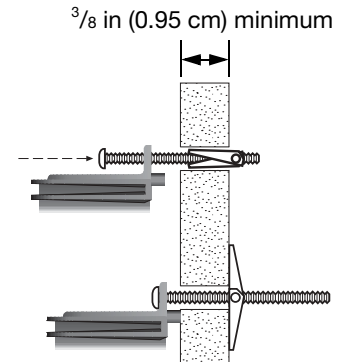
Wood wall

- $\frac{3}{32}$ in (2.25 mm)
- (4) #10 x $1\frac{1}{2}$ in (M5 x 36 mm)



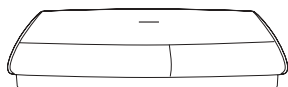
Wallboard

- $\frac{1}{2}$ in (12 mm)
- (4) #10 x $2\frac{1}{2}$ in (M5 x 75 mm)
- (4) #10 (M5)



To mark mounting hole locations, remove the rubber feet, hold the amplifier in position, and mark the wall through the clearance holes in the housing.

Model AV-18/38/48 media center setup

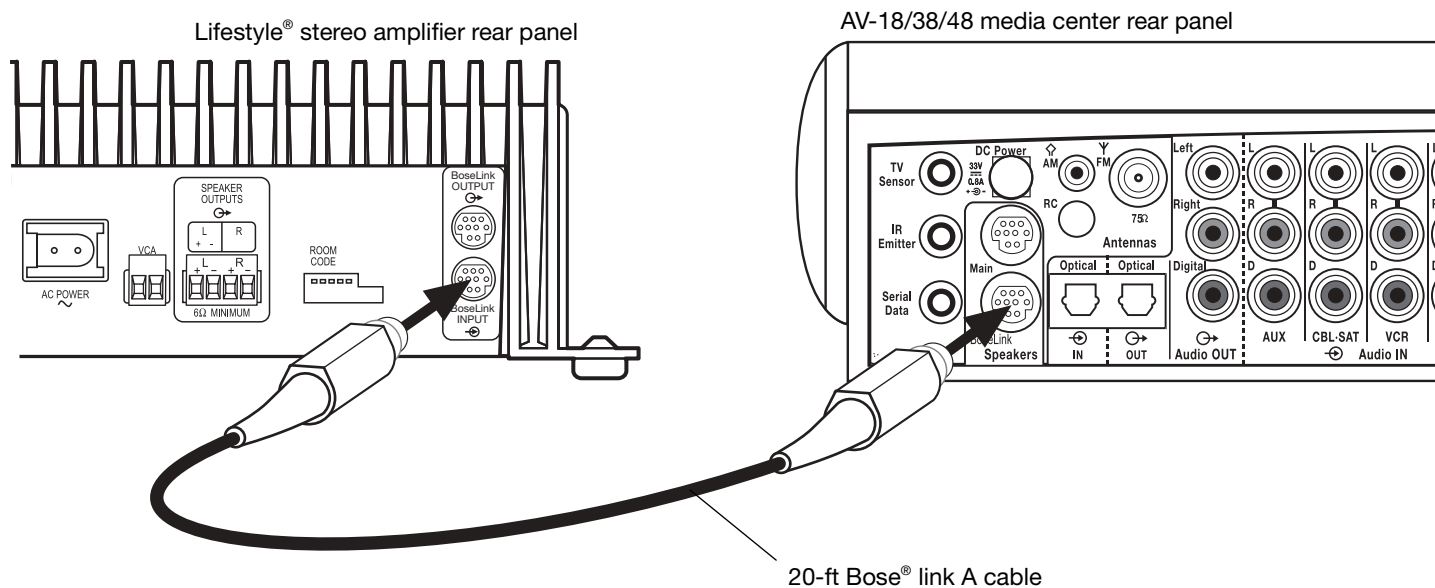


⚠ CAUTION: Before making connections, turn the Lifestyle® system off and disconnect the media center from the AC (mains) power outlet. DO NOT plug the amplifier into an outlet until you have completed all other connections.

1. Insert one end of the Bose® link A cable into the Bose® link output connector on the rear panel of the media center (Figure 5).
2. Insert the other end of the Bose® link A cable, into the Bose® link input connector on the rear panel of the Lifestyle® stereo amplifier.

Figure 5

Lifestyle® stereo amplifier to AV-18/38/48 media center connections



Setting up RC18S and RC38S remotes

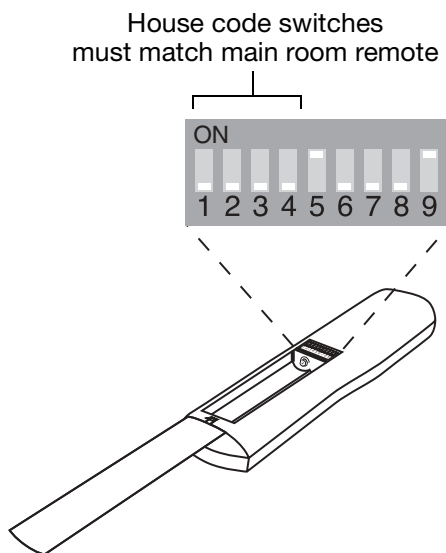
Your additional remote is shipped from the factory already set up for a second room (room B). To make sure that this remote will work with your home entertainment system, do the following to check the house code setting.

1. Remove the remote control battery cover and locate the microswitches (Figure 6).
2. Make sure that the house code settings (switches 1, 2, 3, and 4) match the house code settings in your main room remote.

🎵 **Note:** If this remote is to be used beyond a second room, other switch settings will need to be changed. See "Setting Up Additional Rooms For Sound" on page 23.

Figure 6

Remote microswitches



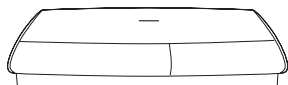
Check the expansion protocol setting in your system

For the Lifestyle® stereo amplifier to work properly with your home entertainment system, the expansion protocol menu item must be set to **Normal**. To verify this:

1. Turn on your Lifestyle® DVD home entertainment system and your TV.
2. Press the **System** button on your main room remote.
3. Select the **Audio** tab and navigate down to **Expansion Protocol**.
4. Verify that the setting **Normal** is selected. If not, select **Normal** now.
5. Press the **Exit** button on the remote.

Model AV-28 media center setup

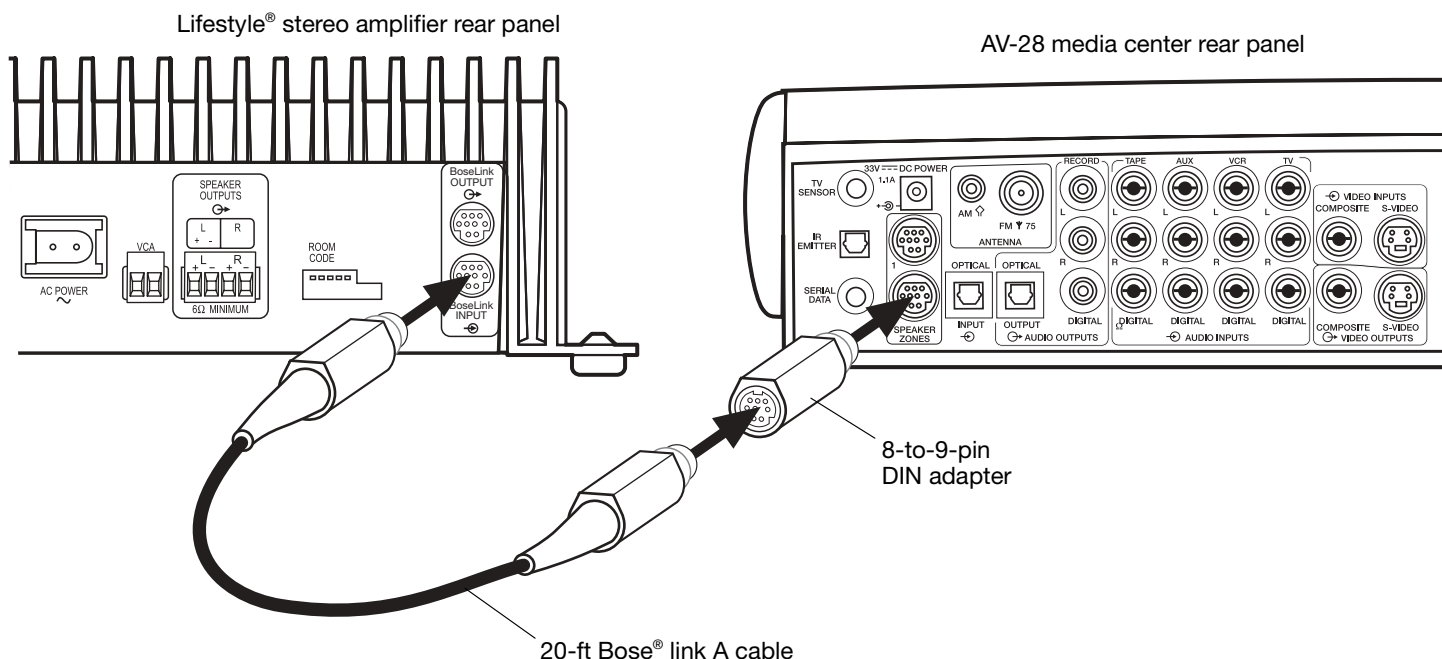
⚠ CAUTION: Before making connections, turn the Lifestyle® system off and disconnect the media center from the AC (mains) power outlet. DO NOT plug the amplifier into an outlet until you have completed all other connections.



1. Insert the 8-to-9-pin adapter into the SPEAKER ZONES 2 output connector on the rear panel of the media center (Figure 7).
2. Insert one end of the Bose® link A cable into the 8-to-9-pin adapter.
3. Insert the other end of the Bose® link A cable, into the Bose® link input connector on the rear panel of the Lifestyle® stereo amplifier.

Figure 7

Lifestyle® stereo amplifier to AV-28 media center connections



Setting up the RC28S remote

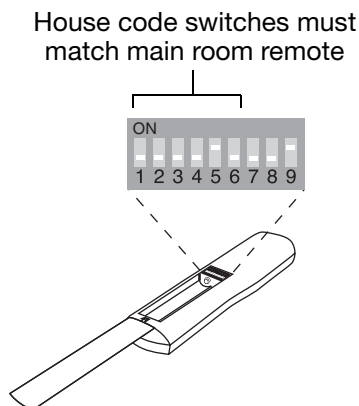
Your second remote is shipped from the factory already set up for Zone 2. To make sure that this remote will work with your home entertainment system, do the following to check the house code setting.

1. Remove the remote control battery cover and locate the microswitches (Figure 8).
2. Make sure that the house code settings (switches 1, 2, 3, and 4) match the house code settings in your main room remote.
3. Make sure switches 5, 7, and 8 are up, and switches 6 and 9 are down.

Note: Refer to your Lifestyle® system owner's guide for more information on operating your system in more than one room.

Figure 8

Remote microswitches



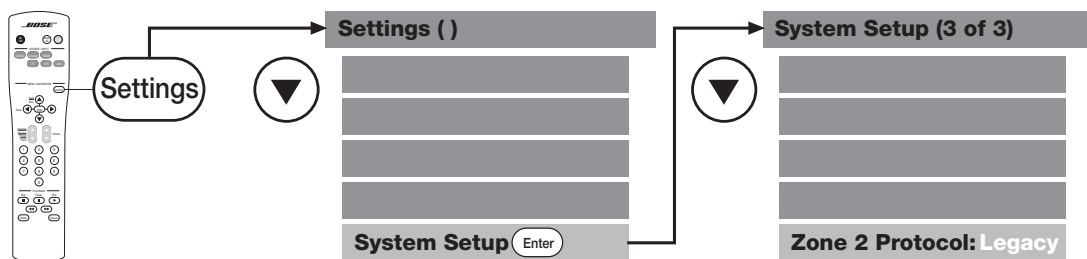
Setting the Zone 2 Protocol in your home entertainment system

For the Lifestyle® stereo amplifier to work properly with a Lifestyle® media center, you will need to set the **Zone 2 Protocol** to **Legacy** mode (Figure 9).

1. Turn on your Lifestyle® DVD system and your TV.
2. Press the **Settings** button on your main room remote control.
3. Scroll down the menu to **System Setup** and press the **Enter** button.
4. Scroll down the menu to the last item, **Zone 2 Protocol**.
5. Press the right arrow remote button to change the protocol from **Normal** to **Legacy**.
6. Turn the system off and on again to ensure that the **Zone 2 Protocol** is reset to **Legacy**.

Figure 9

Setting Zone 2 Protocol



Multi-room interface setup

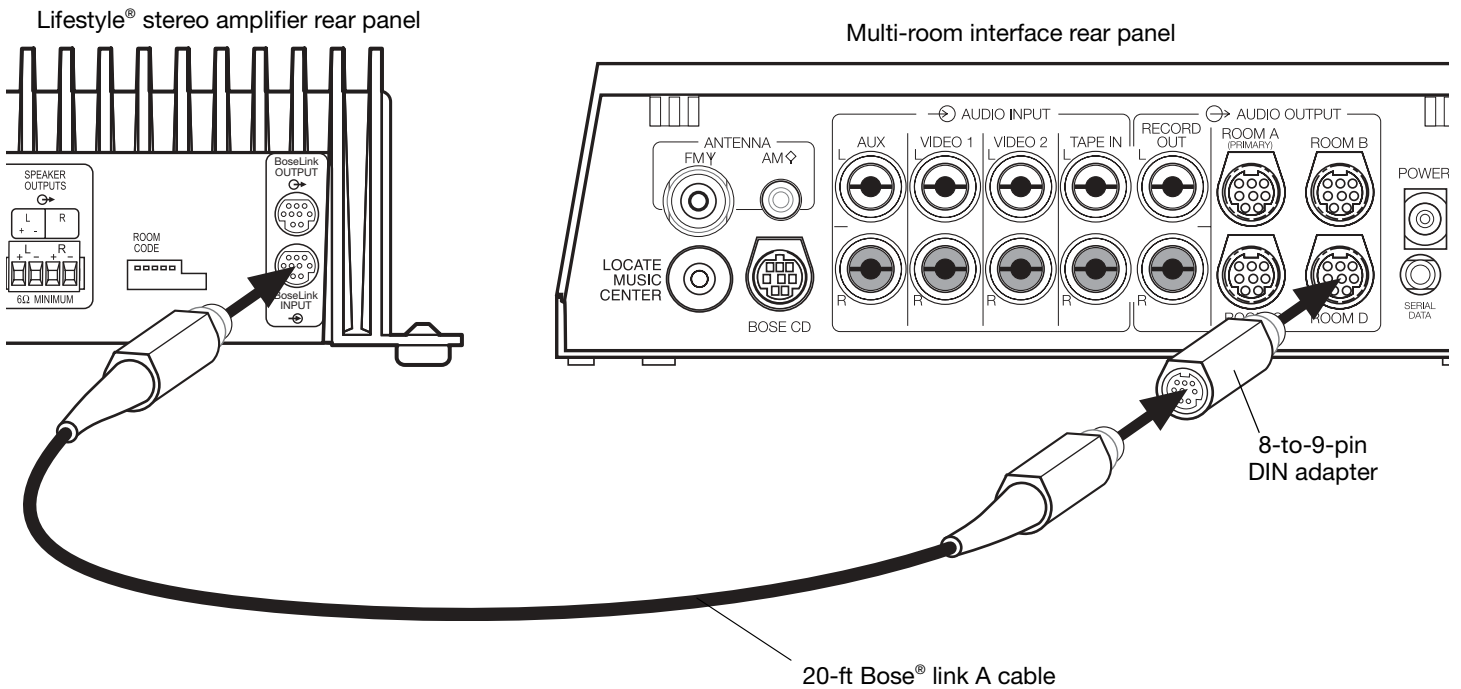
⚠ CAUTION: Before making any connections, turn the Lifestyle® system off and disconnect the music center from the AC (mains) power outlet. DO NOT plug the amplifier into an outlet until you have completed all other connections.



1. Insert the 8-to-9-pin adapter into one of the unused ROOM output connectors (B, C, or D) on the rear of the multi-room interface (Figure 10).
2. Insert one end of the Bose® link A cable into the 8-to-9-pin adapter.
3. Insert the other end of the Bose® link A cable, into the Bose® link input connector on the rear panel of the Lifestyle® stereo amplifier.

Figure 10

Lifestyle® stereo amplifier to multi-room interface connections





Setting up the Personal® music center

Systems that have a multi-room interface are controlled by the Personal® music center which requires no internal switch settings before it allows you to control more than one room of speakers. However, if you purchase a second Personal® music center, you must follow the procedure for setting up the Personal® music center for the first time.

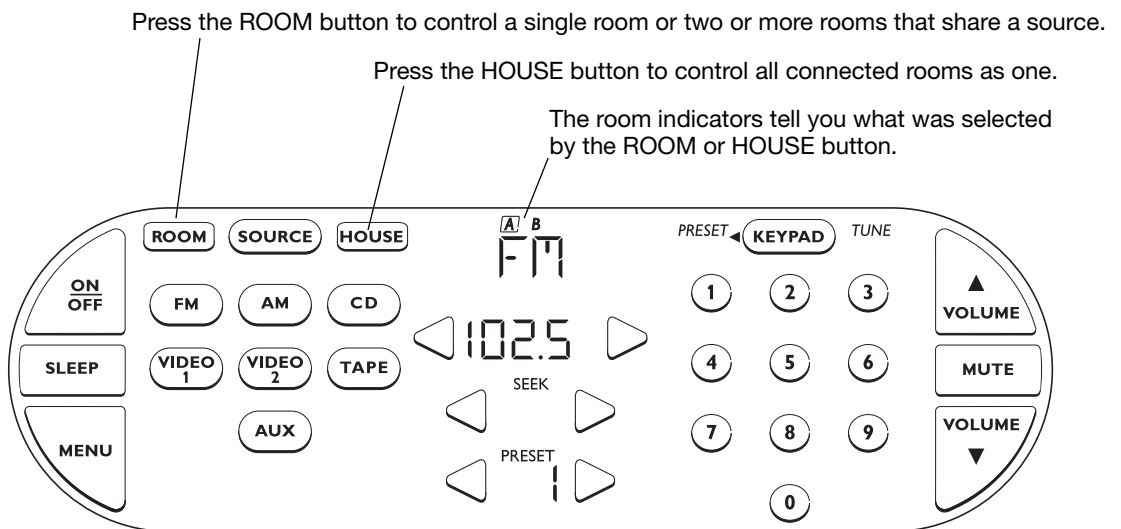
Note: Refer to your Lifestyle® system owner's guide for more information on operating your system in more than one room.

Selecting other rooms with the Personal® music center

The Personal® music center allows you to control up to four sets of Bose® powered speakers placed in individual rooms. These rooms are referred to as room A, B, C, and D, with room A being the primary room (the one used for a one-room system). If two or more rooms are connected to your system, the Personal® music center displays ROOM and HOUSE buttons, and room indicators (A, B, C, and/or D). Figure 11 shows a sample display for a two-room system.

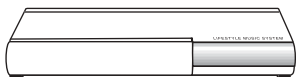
Figure 11

Sample display for a two-room system



Model 20 music center setup

⚠ CAUTION: Before making connections, turn the Lifestyle® system off and disconnect the music center from the AC (mains) power outlet. DO NOT plug the amplifier into an outlet until you have completed all other connections.



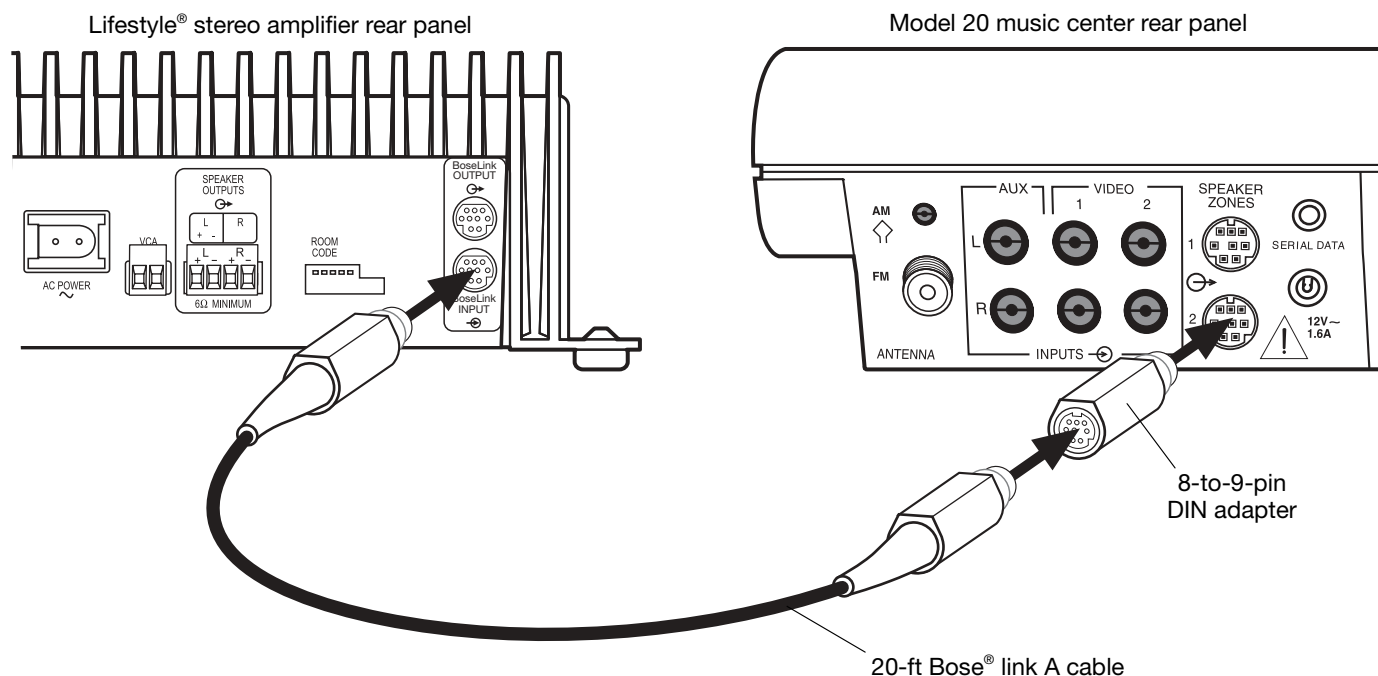
1. Insert the 8-to-9-in DIN adapter into the SPEAKER ZONES 2 output connector on the rear panel of the music center (Figure 12).
2. Insert one end of the Bose® link A cable into the 8-to-9-pin adapter.
3. Insert the other end of the Bose® link A cable, into the Bose® link input connector on the rear panel of the Lifestyle® stereo amplifier.
4. Set the ROOM CODE switches of the Lifestyle® stereo amplifier to room E (switch 7 up, switches 6, 8 and 9 down).



See “Setting up the amplifier room code” on page 25.

Figure 12

Lifestyle® stereo amplifier to Model 20 music center connections



Setting up the RC-20 remote for Zone 2

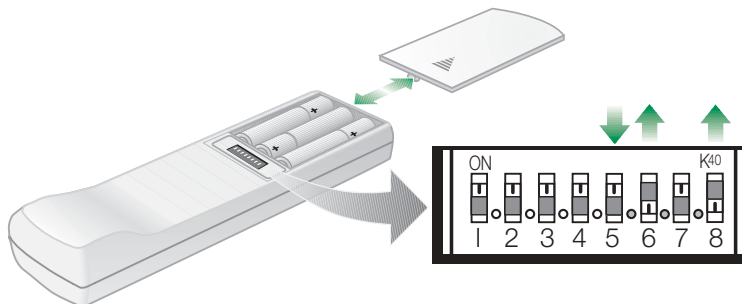
If your system uses a Model 20 music center, you need to set up a second RC-20 remote control to operate the ZONE 2 outputs.

1. Remove the remote control battery cover and locate the miniature switches (Figure 13).
2. Make sure that the house code settings (switches 1, 2, 3, and 4) match those in your first remote.
3. Slide switch 5 down (off), and switches 6 and 8 up (on).

🎵 **Note:** Refer to your Lifestyle® system owner's guide for more information on operating your system in more than one room.

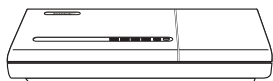
Figure 13

RC-20 remote Zone 2
switch settings



Model 5 music center setup

This setup requires a 3-ft audio input adapter cable. Contact your Bose dealer or Bose® Customer Service. See the list of locations and phone numbers included in the shipping carton.



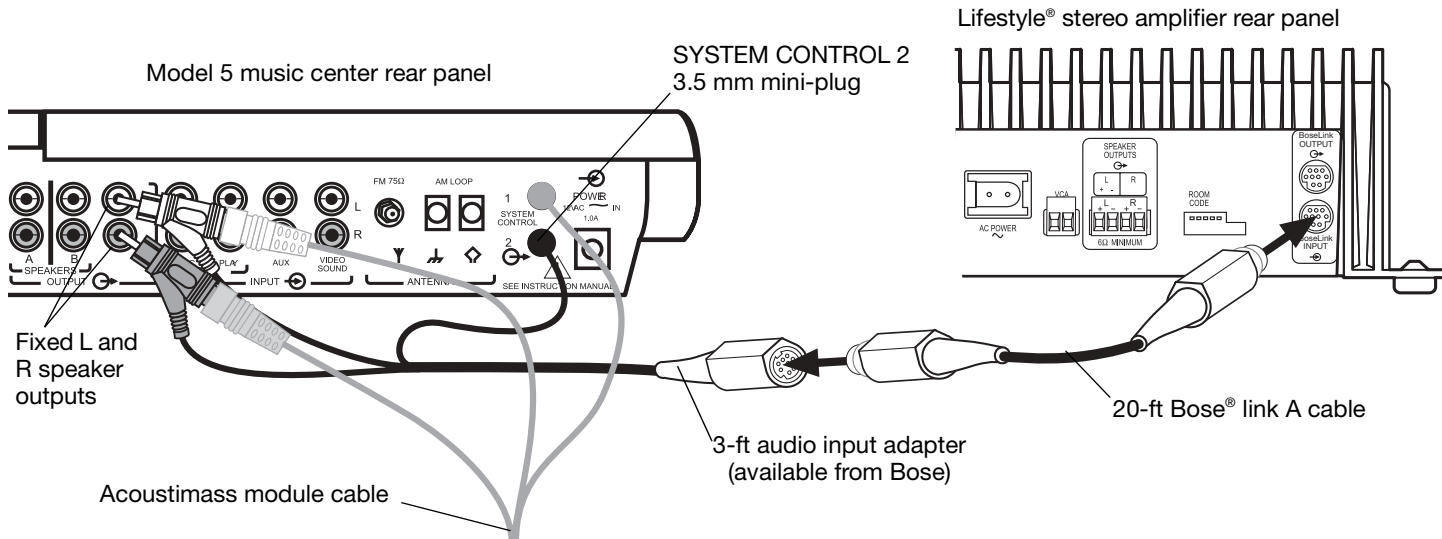
⚠ CAUTION: Before making connections, turn the Lifestyle® system off and disconnect the music center from the AC (mains) power outlet. DO NOT plug the amplifier into an outlet until you have completed all other connections.

⚠ CAUTION: DO NOT connect the audio input cable for the Lifestyle® stereo amplifier to the SPEAKERS A or SPEAKERS B outputs. The amplifier is designed to work properly with the fixed output level available from the FIXED OUTPUT connectors.

1. Disconnect the Acoustimass® cable from the FIXED L and R outputs on the rear panel of the music center (Figure 14).
2. Insert the red RCA piggyback connector of the three-foot audio input adapter cable into the R (right) FIXED OUTPUT connector. Insert the white RCA piggyback connector into the L (left) FIXED OUTPUT connector. Insert the 3.5 mm mini-plug into the SYSTEM CONTROL 2 connector on the rear panel of the music center.
3. Insert the red RCA connector of the Acoustimass module cable into the red piggyback connector and the white RCA connector into the white piggyback connector.
4. Plug one end of the 20-foot audio cable (supplied) into the free end of the three-foot audio input adapter cable. Plug the other end of the 20-foot audio cable into the Bose® link input connector on the rear panel of the Lifestyle® stereo amplifier.

Figure 14

Lifestyle® stereo amplifier to Model 5 music center connections



Setting up the RC-5 remote

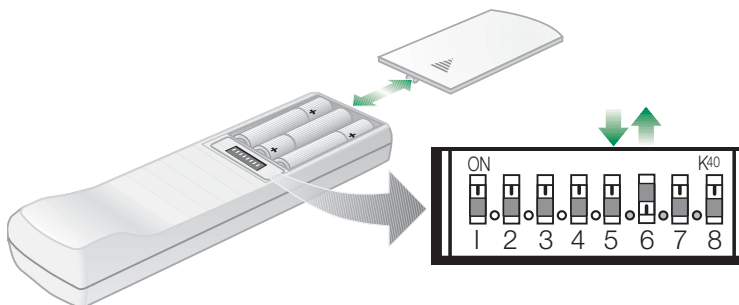
If your system uses a Model 5 music center, you need to set up a second RC-5 remote control to operate your Lifestyle® stereo amplifier.

1. Remove the remote control battery cover and locate the miniature switches (Figure 15).
2. Make sure that the house code settings (switches 1, 2, 3, and 4) match those in your first remote.
3. Slide switch 5 down (off) and 6 up (on).

🎵 **Note:** Refer to your Lifestyle® system owner's guide for more information on operating your system in more than one room.

Figure 15

RC-5 remote switch settings



Connecting speakers to your Lifestyle® stereo amplifier

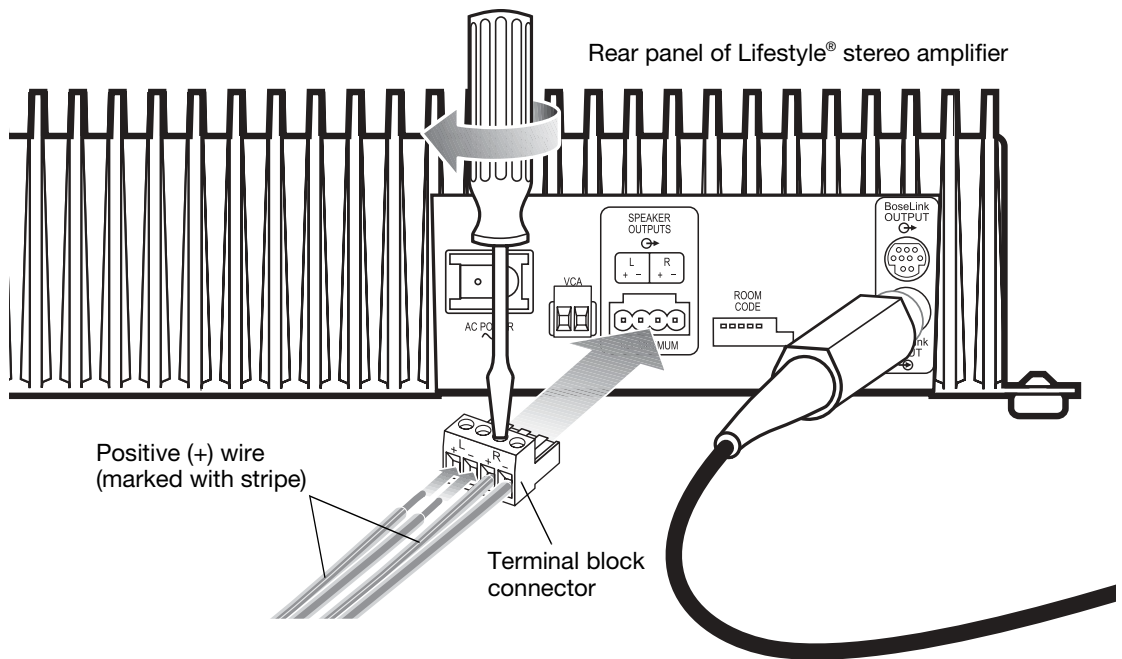
- ⚠ **CAUTION:** DO NOT connect any make or model of powered speakers to the speaker outputs of the Lifestyle® stereo amplifier. Doing so may cause damage to the equipment.
- ⚠ **CAUTION:** Make sure that the amplifier is disconnected from AC power before making speaker connections.
- ⚠ **CAUTION:** The Lifestyle® stereo amplifier requires a 6-ohm minimum load.

Speaker cord consists of two insulated wires. One wire is usually marked (striped, collared, or ribbed), indicating that it should be connected to the positive (+) terminal. The plain wire should always be connected to the negative (-) terminal. For recommended wire sizes and lengths, see “Wire recommendations” on page 29.

1. Remove the terminal block connector from the SPEAKER OUTPUTS connector on the rear panel of the amplifier.
2. Connect the left speaker cord to the L positive (+) and minus (-) terminals of the 4-pin terminal block connector.
3. Connect the right speaker cord to the R positive (+) and minus (-) terminals of the 4-pin terminal block connector.
4. Plug the terminal block connector into the SPEAKER OUTPUTS connector.

Figure 16

Connecting speaker cable to SPEAKER OUTPUTS



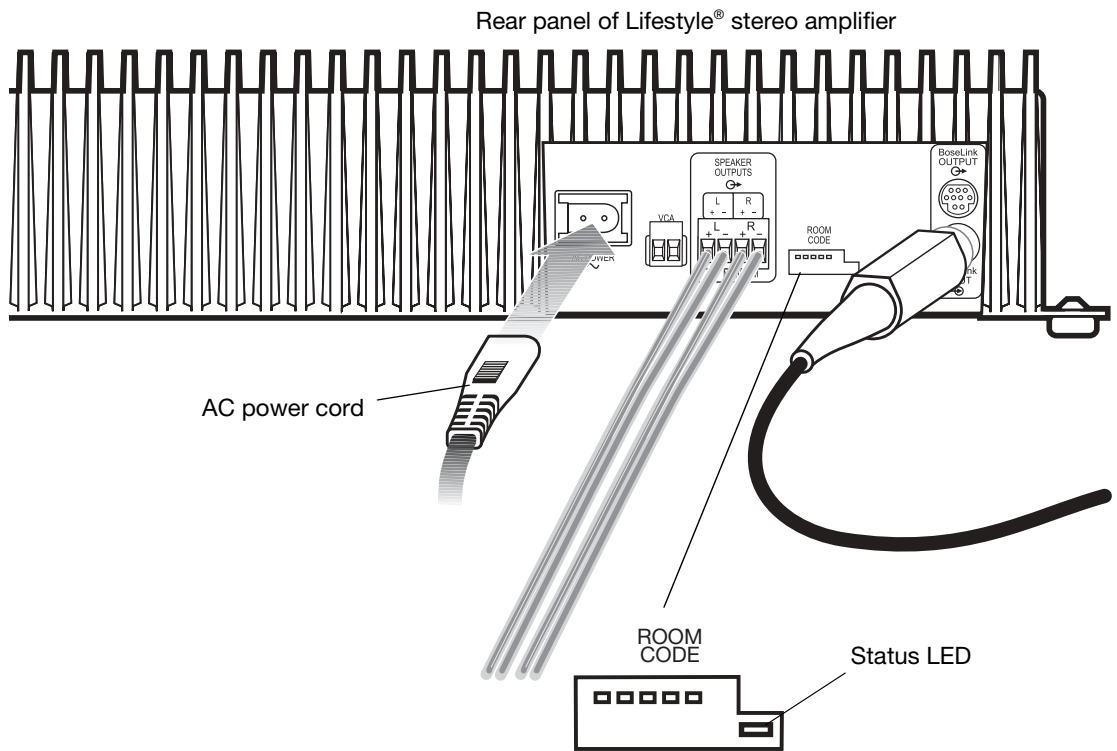
Powering-up your system

⚠ CAUTION: DO NOT plug the AC power cord into an AC (mains) outlet until all other connections are complete.

1. Using the power cord included with your Lifestyle® stereo amplifier, firmly insert the small connector on one end of the power cord into the AC power connector on the rear panel of the amplifier (Figure 17).
2. Connect the power cord of the Lifestyle® stereo amplifier and your Lifestyle® music system to an AC (mains) outlet. The status LED tells you the operational status of the amplifier.
3. Select a music source with your Personal® music center or your new remote control and adjust the volume to your liking.

Figure 17

Connecting the power cord



LED activity	Meaning
Constant slow blinking (1 sec. on, 3 sec. off)	The amplifier is OFF (standby).
Continuously lit	The amplifier is ON and ready to produce sound.
Blinking quickly	The amplifier is ON and receiving data commands from the media center through the Bose® link port.
Constant slow blinking (1 sec. on, 5 sec. off)	The amplifier is set up as a supplemental amplifier and it is OFF.
Lit but rapidly flickering	The amplifier is set up as a supplemental amplifier and it is ON.

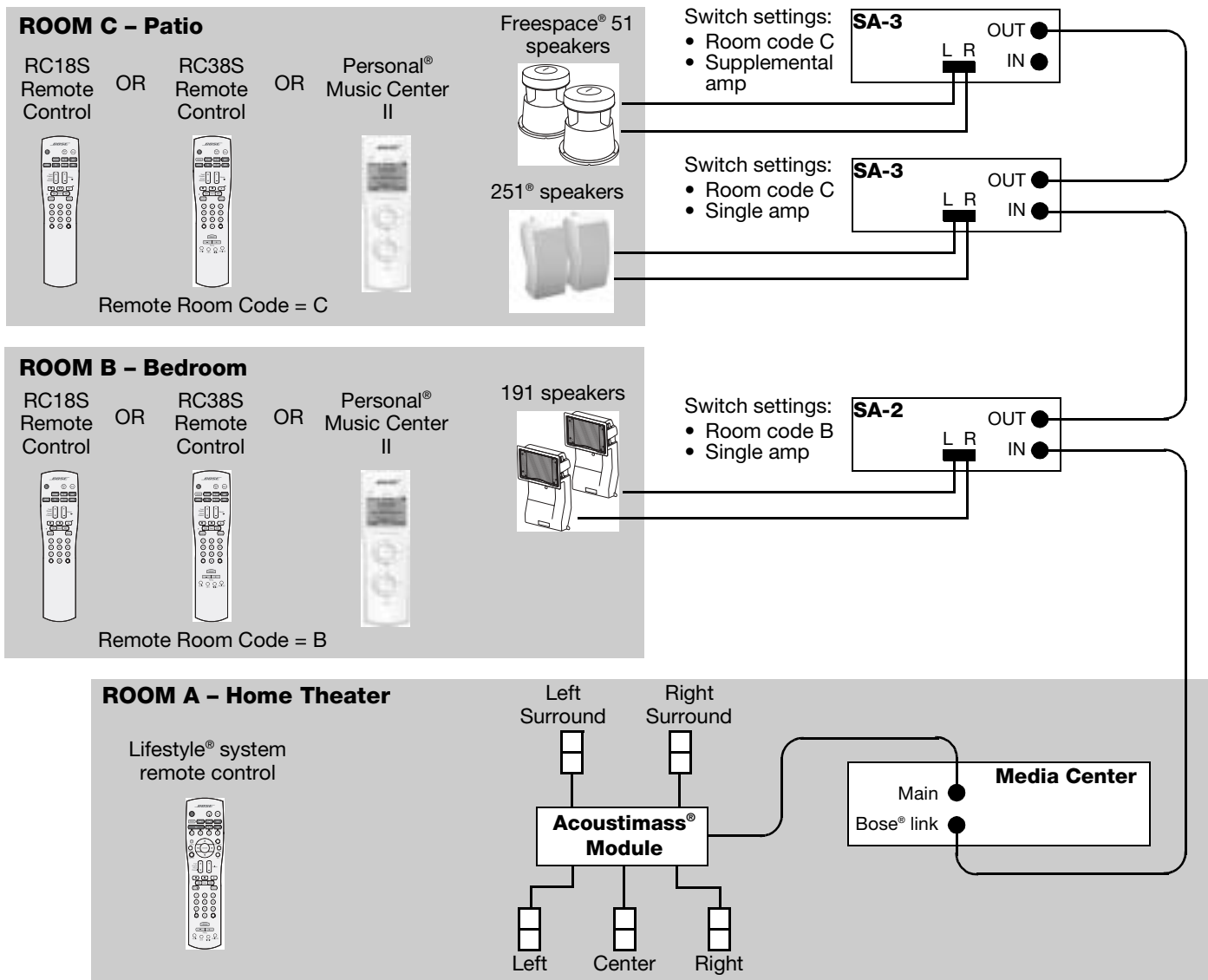
Setup guidelines for additional rooms

If you have a Lifestyle® 18 series II, 28 series II, 38 or 48 home entertainment system, you can experience stereo sound in up to 14 other rooms using Lifestyle® stereo amplifiers, compatible speaker systems and remote controls for the other rooms.

- Remote controls for other rooms must be set to the same house code as the main room remote, but each remote must be set to a different room code. See “Setting up remote controls for other rooms” on page 24.
- The Lifestyle® amplifier and its remote control must be set to the same room code. See “Setting up the amplifier room code” on page 25.
- When using more than one amplifier to power more than two speakers in a room (Figure 18, room C), all amplifiers must be set to the same room code. Also, one amplifier must be set to the single amp mode and all others must be set to the supplemental amp mode. See “Single and supplemental amplifiers” on page 26.

Figure 18

Sample installation of Lifestyle® stereo amplifiers



Setting up remote controls for other rooms

English

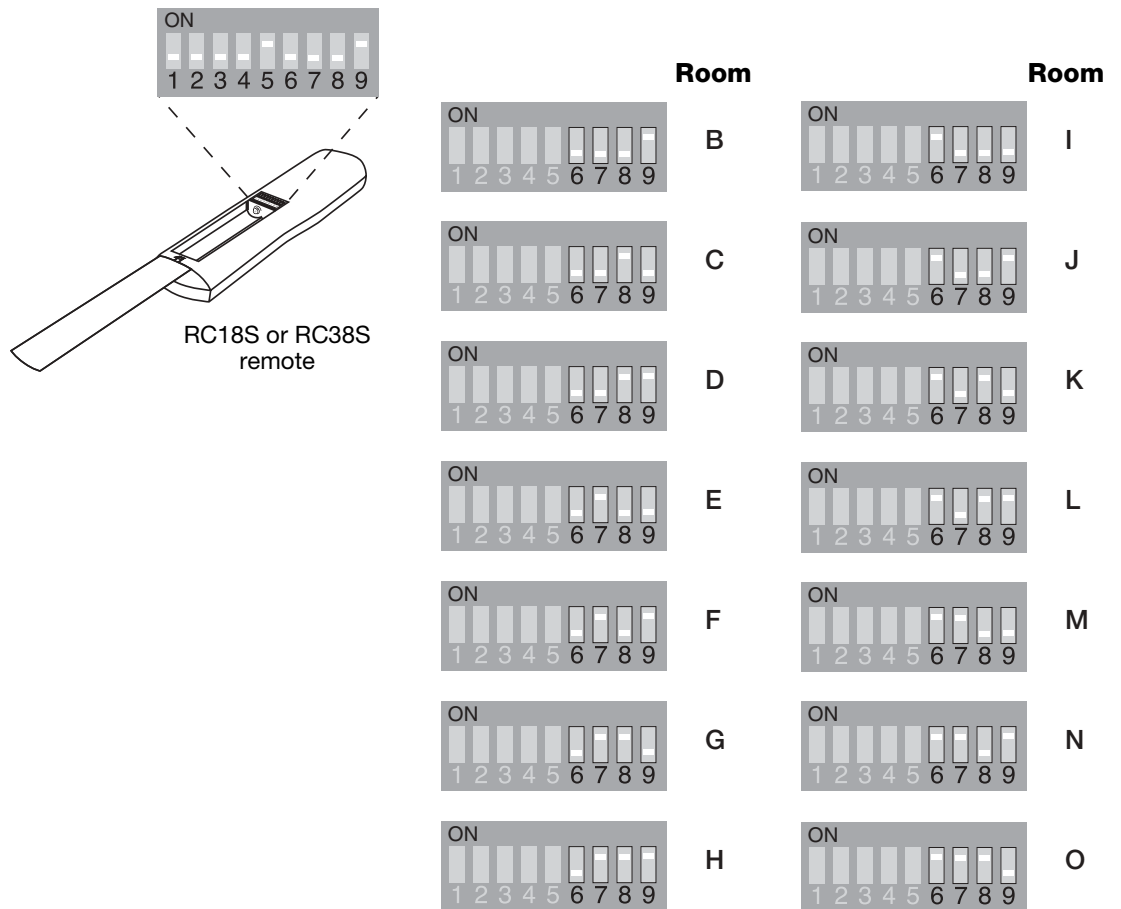
To set up the RC18S or RC38S remote:

1. Remove the remote control battery cover and locate the microswitches (Figure 19).
2. Make sure that the house code settings (switches 1, 2, 3, and 4) match the house code settings in your main room remote.
3. This remote is shipped from the factory set for room B. If this remote is used beyond a second room, set switches 6, 7, 8, and 9 to the same room code as set in the Lifestyle® stereo amplifier.

Note: Refer to your Lifestyle® system owner's guide for more information on operating your system in more than one room.

Figure 19

Microswitch settings for RC18S and RC38S remotes



To set up the Personal® Music Center II:

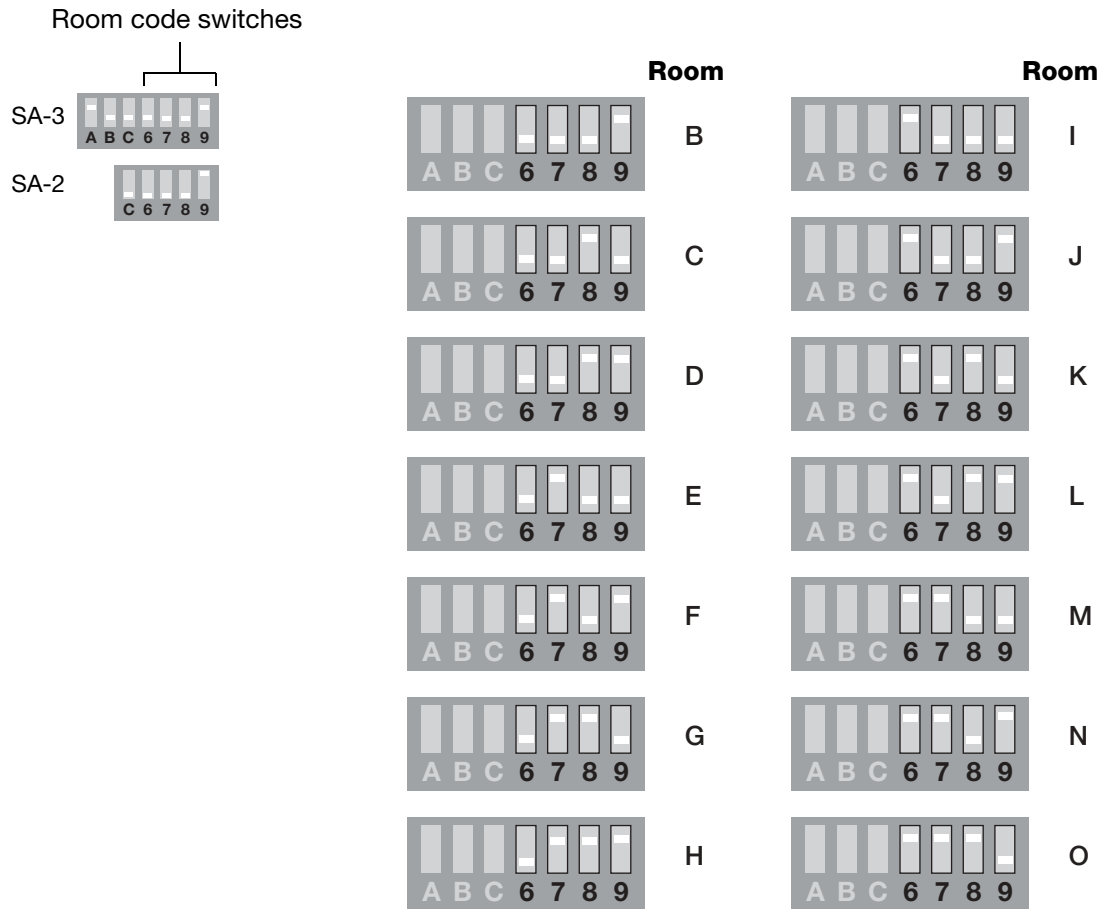
Refer to the owner's guide included with the Personal® music center II for instructions on configuring this remote for other rooms.

Setting up the amplifier room code

The room code of the amplifier must match the room code of the remote used in the room where the speakers are installed.

Figure 20

Amplifier room code settings

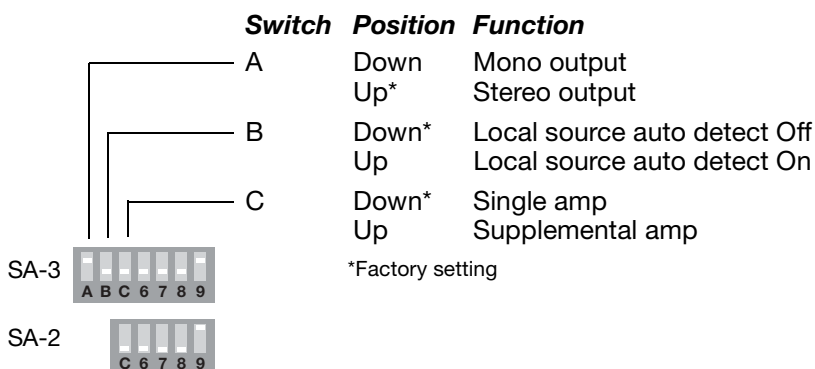


Amplifier mode switches

The advanced features of the Lifestyle® stereo amplifier are set up using microswitches A, B, and C (Figure 21). The SA-3 has all three switches, but the SA-2 has only switch C.

Figure 21

SA-2 and SA-3 microswitches



Stereo or mono output (SA-3 only)

The output of the SA-3 amplifier can be set to stereo (switch A up – factory setting) or mono (switch A down). The mono output mode feeds left and right channel audio to both the left and right outputs. This mode is useful in situations where a stereo output isn't feasible such as when outdoor speakers are used in a large area.

Automatic detection of a local source (SA-3 only)

When a source is connected to the AUX INPUT connectors, you can set the amplifier to detect when that source is turned on, thereby automatically switching the amplifier from standby to on.

The amplifier is shipped with this feature turned off. For local source automatic detection, set switch B up.

Single and supplemental amplifiers

If you want to cover a large area, such as an outdoor patio, requiring more than one set of speakers, you can install additional amplifiers. See the setup for room C in “Setup guidelines for additional rooms” on page 23.

- Leave switch C down (factory setting – single amp mode) on one amplifier and set switch C up (supplemental amp mode) on all other amplifiers.
- Set the room code in all amplifiers to the same room code as in the remote control.
- Now, you can turn them all on and off, change their volumes, or mute them together using a single remote control.

Cleaning the amplifier

⚠ CAUTION: Disconnect the power cord from the AC outlet before cleaning.

The amplifier, which is designed only for indoor use, may become dusty over time. To clean the amplifier, use only a soft, dry cloth to remove dust from the outside of the enclosure. You may use a brush attachment on a vacuum cleaner to clean the hard-to-reach areas. DO NOT use any solvents, chemicals, or cleaning solutions containing alcohol, ammonia, or abrasives.

Protecting outdoor wiring

Although some Bose® speakers are designed and tested to stand up to outdoor weather conditions, the bare ends of the speaker wire can be affected by exposure to the elements. This is especially true of salt water exposure.

You may use a silicone caulking material, such as RTV adhesive, to protect speaker wire connections. It is commonly available at hardware stores. If you do use caulking, apply it only after the wires are connected and the knobs tightened down. Check the caulking annually, and re-apply as needed.

Troubleshooting

If you have a problem operating your Lifestyle® system after installing the Lifestyle® stereo amplifier, follow the guidelines below. For additional help, see the troubleshooting information in your system owner's guide. If the problem still exists, contact your Bose dealer to arrange for service, or contact Bose Customer Service. Refer to the address list enclosed in the product packaging for correct phone numbers.

Problem	What to do
Neither speaker plays	<ul style="list-style-type: none"> • Make sure the Lifestyle® media/music center and the amplifier are plugged in and turned on. • Make sure the plugs are inserted fully and the outlets are in working order. • Be sure a music source is selected (AM, FM, CD, AUX, etc.). If CD or AUX is selected, check to be sure there is a CD in the player or the source connected to AUX is turned on. • If using a Model 20 music center, make sure the audio input cable is inserted into SPEAKER ZONE 2. • If using a Model 5 music center for home theater (Lifestyle® 12 or Lifestyle® 8 systems), make sure the amplifier audio input cable is plugged into the FIXED OUTPUT connectors on the music center. (Then the speaker output cable to the Acoustimass® module should be connected to the piggyback connectors on the audio input cable.) • Disconnect any headphones. • Make sure the remote control switch settings are correct.
Only one speaker plays	<ul style="list-style-type: none"> • Check the wires connected to the speaker that does not play. • Make sure the wires are in good condition and are firmly connected at both ends. • See "Connecting speakers to your Lifestyle® stereo amplifier" on page 21.
One speaker still does not play	<ul style="list-style-type: none"> • Disconnect the wires from that speaker and the amplifier. Disconnect the other cable from its speaker, and connect that end of the cable to the speaker that does not play. If the speaker still does not play, the problem is in the speaker. If the speaker now plays, continue checking for the source of the problem. • Disconnect the same cable from the amplifier. Connect it to the other outputs on the amplifier. If the speaker plays, the problem is in the original cable that was connected to that speaker. If the speaker does not play, the problem is in that channel of the amplifier.
Right and left stereo channels are heard on the wrong speakers.	<ul style="list-style-type: none"> • Check the speaker cable connections to be sure the cable connected to the SPEAKER OUTPUTS L at the amplifier are connected at the other end to the speaker on the left in your listening area. • Check the speaker cable connections to be sure the cable connected to the SPEAKER OUTPUTS R at the amplifier are connected at the other end to the speaker on the right in your listening area.

Problem	What to do
Bass or treble is weak	<ul style="list-style-type: none">• Check the speaker wire connections. Make sure the wires are connected + to + and – to –.• See “Connecting speakers to your Lifestyle® stereo amplifier” on page 21.
Interference	<ul style="list-style-type: none">• Make sure the speaker wires are firmly inserted in the terminals on the back of the speaker and on the amplifier rear panel. Check to be sure no wires are touching across terminals.• See “Connecting speakers to your Lifestyle® stereo amplifier” on page 21.
Remote does not adjust the volume	<ul style="list-style-type: none">• Be sure the 1/8 in (3.5 mm) mini-plug is firmly inserted in the SYSTEM CONTROL 2 connector (Model 5 music center only).• If you are using an RC-20 or RC-5 remote control, make sure the remote control switch settings are correct.• If you are using a local volume control (VCA), turn it to the off position.
Volume suddenly decreases	<ul style="list-style-type: none">• Lower the volume setting to see if the level returns to normal. If so, the sudden loss of volume was an intentional action of the amplifier’s overload protection feature. This engages automatically if the volume is set too high and is overdriving the speakers. Choosing a lower setting should ensure continuous, even volume.
Zone 2 does not work at all	<ul style="list-style-type: none">• If you are using a Lifestyle® DVD system, the stereo amplifier will not work unless “Zone 2 Protocol” in the system settings menu is set to “Legacy”. For more information, consult your Lifestyle® DVD system’s owners guide.

Customer service

For additional help in solving problems, contact Bose® Customer Service. Refer to the address list enclosed in the product packaging for correct phone numbers.

Limited warranty

The Lifestyle® stereo amplifier is covered by the Bose limited one-year transferable warranty. Details of the coverage are provided on the product registration card that came with the product. Please fill out the information section of the card and mail it to Bose. Failure to do so will not affect your warranty rights.

Accessories



- Bose® link-to-Model 5 adapter cable (PN 278128)
- Bose® link 50-foot extension/expansion cable (PN 275475-050)

Technical information

Features

- Bose® proprietary digital signal processing technology
- Built-in digital volume control
- Thermal overload protection
- Protective rubber feet

Power rating

- USA/Canada: 120V  50/60 Hz, 220W (SA-2), 400W (SA-3)
- International: 220-240V  50/60 Hz, 220W (SA-2), 400W (SA-3)

Input sensitivity

- 0.5 Vrms @ 1 kHz

Signal to Noise ratio (S/N)

- 90 dB

	SA-2	SA-3
Input/output connectors	VCA volume control connector Speaker left/right outputs Bose® link input/output	VCA volume control connector Speaker left/right outputs AUX input Bose® link input/output
Output power (continuous ave.)	40W per channel minimum into 6 ohms, from 30 to 15 kHz, with no more than 0.5% THD.	100W per channel minimum into 6 Ohms, from 30 to 15 kHz, with no more than 0.5% THD.
Dimensions	14¼"W x 5½"D x 3½"H (36.2 x 13.8 x 9.0 cm)	14¼"W x 5½"D x 4¼"H (36.2 cm x 13.8 cm x 10.7 cm)
Weight	7.6 lb (3.42 kg)	11.0 lb (4.95 kg)

Finish

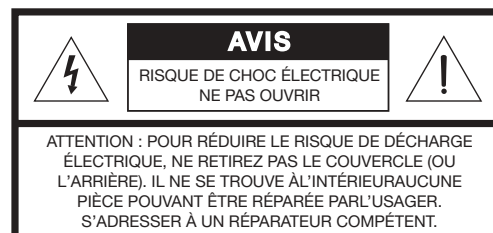
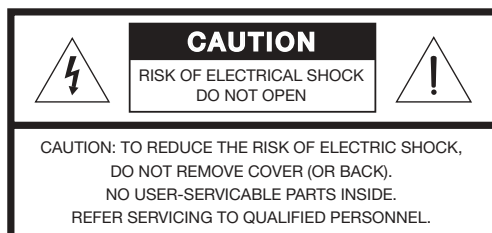
- Black powdercoat

Wire recommendations

Length (max.)	Gauge
30 ft (9 m)	18 (0.75 mm ²)
45 ft (14 m)	16 (1.7 mm ²)
70 ft (21 m)	14 (2.0 mm ²)

⚠️ ADVERTENCIA: Con el fin de reducir el riesgo de descarga eléctrica, no exponga el producto a lluvia o humedad.

⚠️ ADVERTENCIA: Este aparato no debe recibir salpicaduras ni mojarse, por lo que no deben colocarse sobre él objetos que contengan líquido, como jarrones, etc. Al igual que ocurre con cualquier producto electrónico, cuídese de no derramar líquido en ningún componente del sistema. Los líquidos pueden provocar fallos o un incendio.



Las indicaciones de PRECAUCIÓN siguientes están ubicadas en la caja inferior del producto:



El signo de exclamación dentro de un triángulo equilátero, tal como aparece marcado en el sistema, sirve para avisar al usuario de que existen instrucciones de funcionamiento y mantenimiento importantes en esta guía del usuario.



El símbolo de un relámpago con una flecha dentro de un triángulo equilátero avisa al usuario de que dentro de la caja del sistema puede haber voltaje sin aislar de una magnitud suficiente para constituir un riesgo de descarga eléctrica.

Emisiones de clase B

Este aparato digital de clase B cumple todos los requisitos de las leyes de Canadá sobre equipos que causan interferencias.

⚠️ PRECAUCIÓN: Para evitar que se produzcan descargas eléctricas, ponga la patilla de hoja plana de la clavija del cable de línea en la ranura ancha de la toma de CA (red eléctrica). Introdúzcala hasta el tope.

⚠️ PRECAUCIÓN: Este producto no se ha diseñado para ser utilizado en vehículos de recreo o en emplazamientos sobre el agua.

⚠️ ADVERTENCIA: No coloque sobre el aparato ninguna llama viva, como por ejemplo una vela.

🎵 Nota: La etiqueta del producto se encuentra en la base.

Por favor, lea esta guía del usuario.

Dedique el tiempo que sea necesario para seguir las instrucciones de esta guía del usuario cuidadosamente. Le ayudará a configurar y utilizar correctamente el sistema y a disfrutar de todas sus funciones avanzadas. Guarde la guía del usuario para utilizarla como material de referencia en el futuro.

©2004 Bose Corporation. Ninguna parte de esta obra puede reproducirse, modificarse, distribuirse o usarse de ninguna otra manera sin consentimiento previo por escrito. Todas las marcas comerciales mencionadas en este documento son propiedad de Bose Corporation. Reservados todos los derechos. Bose, Acoustimass, Lifestyle, Personal y Wave son marcas comerciales registradas de Bose Corporation.

Dónde encontrar...

Presentación del amplificador estéreo SA-2 y SA-3 Lifestyle®	4
Antes de comenzar	4
Desembalaje de la caja	4
Características del panel de control	5
Instalación del amplificador estéreo Lifestyle®	7
Identificación del sistema	7
Selección de la ubicación del amplificador estereofónico Lifestyle®	8
Montaje del amplificador estéreo Lifestyle®	9
Instalación del centro de medios Modelo AV-18/38/48	10
Instalación del centro de medios Modelo AV-28	12
Configuración de la interfaz de múltiples salas	14
Configuración del centro de música Modelo 20	16
Configuración del centro de música Modelo 5	18
Conexión de altavoces al amplificador estereofónico Lifestyle®	20
Encendido del sistema	21
Configuración de sonido en salas adicionales	22
Directrices de instalación en salas adicionales	22
Configuración de los controles remotos de otras salas	24
Configuración del código de sala del amplificador	25
Configuración de las funciones avanzadas	26
Interruptores de modo de amplificador	26
Salida estéreo o mono (sólo SA-3)	26
Detección automática de una fuente local (sólo SA-3)	26
Amplificadores únicos y adicionales	26
Mantenimiento del amplificador estéreo Lifestyle®	27
Limpieza del amplificador	27
Protección del cableado a la intemperie	27
Resolución de problemas	27
Servicio al cliente	28
Garantía limitada	28
Accesorios	28
Información técnica	29

Para conservar como referencia

Anote el número del modelo, el número de serie y la fecha de compra. El número de serie se encuentra en la cara inferior del amplificador estereofónico Lifestyle®.

Modelo: SA2 SA3

Número de serie: _____

Fecha de compra: _____

Se recomienda conservar el recibo de compra y una copia de la tarjeta de registro del producto junto con esta guía del usuario.

Antes de comenzar

Gracias por adquirir un amplificador estéreo Lifestyle® SA-2 o SA-3. El amplificador estéreo Lifestyle® es una solución sencilla para agregar altavoces ambientales sin autoamplificación Bose® o altavoces adicionales sin autoamplificación Bose al sistema Lifestyle®. Este amplificador incorpora la tecnología Integrated Signal Processing, patentada por Bose, que garantiza la reproducción de sonido estereofónico envolvente y multidimensional incluso a bajos niveles de volumen. Al expandir las capacidades de su sistema con el amplificador estereofónico Lifestyle®, usted podrá disfrutar de sonido de calidad Bose y la comodidad del sistema Lifestyle® en su jardín, patio, piscina, garaje o cuarto de servicio.

Desembalaje de la caja

ADVERTENCIA: Mantenga las bolsas de plástico fuera del alcance de los niños, para evitar el peligro de asfixia.

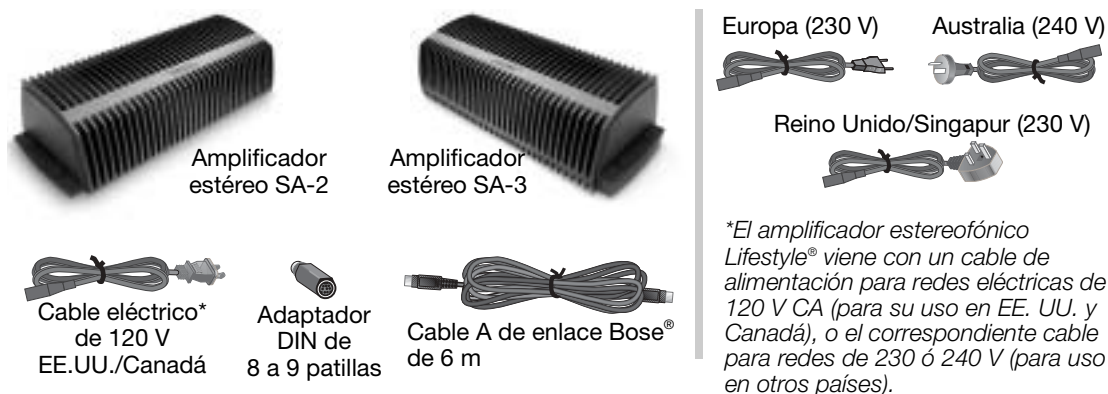
Desembale cuidadosamente la caja de envío. Asegúrese de que la caja del amplificador estereofónico Lifestyle® contenga las piezas identificadas en la Figura 1. Recomendamos que conserve los materiales de embalaje, ya que podría necesitarlos en el futuro. Los materiales de embalaje originales permiten transportar este producto de la forma más segura.

Nota: Busque el número de serie en la cara inferior del amplificador, y apúntelo en el espacio correspondiente de la página 3.

Si alguna pieza del producto parece estar dañada, no utilice el sistema. Notifíquelo de inmediato a un distribuidor autorizado de Bose o llame al Departamento de atención al cliente de Bose. En la lista de direcciones que figura en el embalaje del producto podrá encontrar el número de teléfono correcto.

Figura 1

Contenido de la caja de envío



Nota: Utilice sólo el cable de alimentación suministrado con el amplificador estereofónico Lifestyle®. Si el enchufe del cable no entra en la toma de alimentación de la red eléctrica, NO lo altere de ninguna forma; póngase en contacto con las oficinas de atención al cliente de Bose para obtener asistencia.

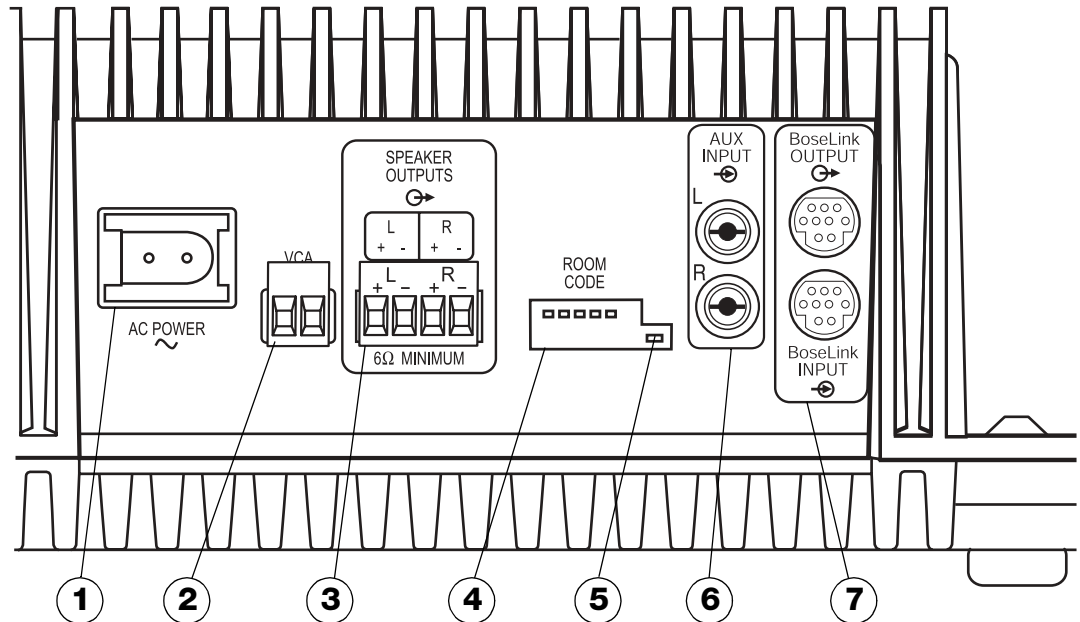
Nota: El amplificador estereofónico Lifestyle® es compatible ÚNICAMENTE con los altavoces ambientales o accesorios sin autoalimentación de Bose.

Características del panel de control

Este panel de conexión incluye las conexiones de entrada y salida y los interruptores del código de sala y los indicadores de estado (LED) del amplificador.

Figura 2

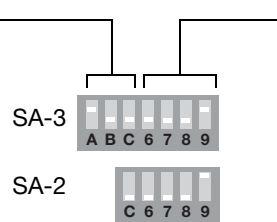
Panel de conexión del amplificador Lifestyle®



- 1 ALIMENTACIÓN CA**
 Conector del cable de alimentación de CA. Este producto no tiene interruptor de encendido/apagado. La alimentación se recibe cuando se instala el cable de alimentación y se enchufa a un cajetín de la red eléctrica.
- 2 V de CA**
 Conexiones del control de volumen local. Permite controlar el volumen de una sala con un control de pared. Póngase en contacto con su distribuidor Bose® o llame al Departamento de atención al cliente de Bose para obtener información sobre cómo instalar esta función. Consulte la lista de contactos que se encuentra en la contraportada de esta guía.
- 3 SALIDAS DE ALTAVOCES**
 Salidas de altavoces amplificadores izquierdo y derecho. Se requiere una carga mínima de 6 ohmios. Para determinar el tamaño correcto del cable del altavoz, consulte "Recomendaciones sobre los cables", en la página 29.

- 4 **Interruptores del CÓDIGO DE SALA**
Microinterruptores para fijar el código de sala y funciones avanzadas del amplificador.

Para los interruptores A, B y C, consulte “Configuración de las funciones avanzadas”, en la página 26.



Para los interruptores 6 a 9, consulte “Configuración del código de sala del amplificador”, en la página 25.

- 5 **LED indicador de estado**
El LED verde indica el estado operativo del amplificador. Consulte la “Encendido del sistema”, en la página 21.
- 6 **SALIDA AUX (sólo SA-3)**
Entradas de línea de canal izquierdo y derecho para un dispositivo de audio local.
- 7 **ENTRADA/SALIDA de enlace Bose®**
Los conectores DIN de nueve patillas se usan para conectar el amplificador a una red de enlace Bose®. Las señales de entrada se envían a través del conector de salida para permitir la conexión en cadena.

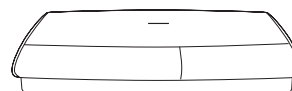
Identificación del sistema

El amplificador estéreo Lifestyle® y el control remoto adicional vienen listos para instalar y para utilizarlos en una segunda sala (Sala B).

En esta sección encontrará instrucciones de ubicación y montaje del amplificador estéreo Lifestyle®. Después, encontrará un apartado donde se detalla cómo configurar el amplificador para utilizarlo con su sistema de cine en casa.

Las instrucciones dependerán de que usted disponga de un centro de medios, un centro de música o una interfaz para múltiples salas. La etiqueta del producto que figura en el panel inferior le indicará el modelo que usted tiene.

En el caso del centro de medios AV-18, AV-38 o AV-48, consulte “Instalación del centro de medios Modelo AV-18/38/48”, en la página 10.



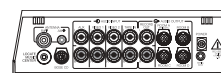
Modelo AV-18/38/48, centro de medios

En el caso del centro de medios AV-28, consulte “Instalación del centro de medios Modelo AV-28”, en la página 12.



Modelo AV-28, centro de medios

En el caso de la interfaz de múltiples salas, consulte “Configuración de la interfaz de múltiples salas”, en la página 14.



Interfaz de múltiples salas

En el caso del centro de música Modelo 20, consulte “Configuración del centro de música Modelo 20”, en la página 16.



Centro de música Modelo 20

En el caso del centro de música Modelo 5, consulte “Configuración del centro de música Modelo 5”, en la página 18.



Centro de música Modelo 5

🎵 **Nota:** Si ha pensado utilizar este amplificador en una habitación que no sea contigua, tendrá que cambiar algunos de los ajustes de los interruptores del amplificador y el control remoto. Consulte la “Configuración de sonido en salas adicionales”, en la página 22.

Selección de la ubicación del amplificador estereofónico Lifestyle®

El amplificador estéreo Lifestyle® no necesita colocarse cerca del sistema Lifestyle® ni de los altavoces accesorios. Tenga presentes las directrices siguientes a la hora de elegir un emplazamiento para el amplificador.

⚠ PRECAUCIÓN: NO monte el amplificador en superficies que no sean lo suficientemente robustas o que oculten posibles fuentes de peligro, tales como cables eléctricos o cañerías.

⚠ PRECAUCIÓN: El amplificador debe instalarse bajo techo; no está diseñado ni ha sido probado para uso al aire libre o en embarcaciones.

- Instale el amplificador bajo techo y a menos de 2,5 m de una toma de corriente.
- Asegúrese de instalar el amplificador al alcance del cable de entrada de audio provisto (aproximadamente, 10 m).
- Instale el amplificador en un zona cuya temperatura ambiente no supere los 45°C (104°F).
- Para optimizar el rendimiento, instale el amplificador en una zona bien ventilada.
- NO ponga el amplificador en una zona totalmente cerrada: si no dispone de suficiente ventilación, el amplificador reducirá automáticamente el volumen como medida de protección para limitar su temperatura.
- NO coloque el amplificador sobre superficies termosensibles, como por ejemplo en el acabado de un mueble fino. Al igual que todo equipo eléctrico, esta unidad genera cierta cantidad de calor.
- NO utilice el amplificador en lugares húmedos, ya que es importante impedir que la humedad penetre en la unidad.

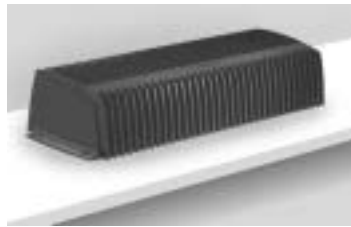
Montaje del amplificador estéreo Lifestyle®

El amplificador estéreo Lifestyle® se puede colocar sobre una estantería o en la pared (Figura 3).

- Si va a montar el amplificador sobre una superficie horizontal, como por ejemplo el piso o un estante, acóplele patas de caucho para aumentar la estabilidad y protegerlo de las rayas.
- SÓLO en el caso de que vaya a montar el amplificador en la pared, quítele las patas de caucho y utilice los orificios de guía de la caja para instalar las piezas de montaje. Consulte Figura 4 para ver los métodos y piezas de montaje recomendados.
- Cuando monte el amplificador en posición vertical u horizontal en una pared, móntelo SIEMPRE con la orientación que se muestra en Figura 3.

Figura 3

Opciones de instalación



Colocación sobre estante



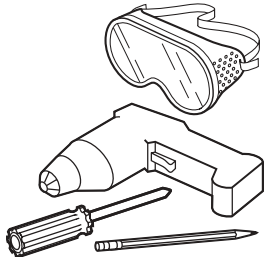
Montado en vertical en una pared



Montado en horizontal en una pared

Figura 4

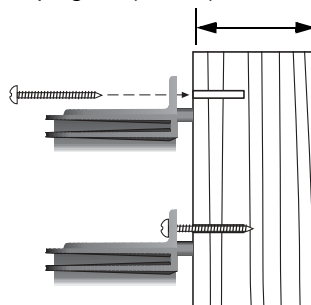
Métodos de montaje y piezas



Pared de madera

- 3/32 pulgada (2,25 mm)
- (4) n.º 10 x 1 1/2 pulgada (M5 x 36 mm)

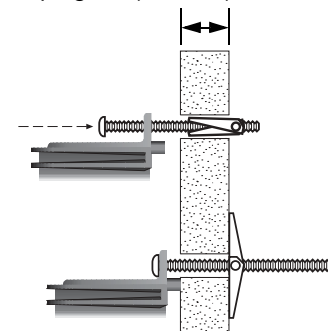
3/4 pulgada (1,9 cm) mínimo



Pared de madera laminada

- 1/2 pulgada (12 mm)
- (4) n.º 10 x 2 1/2 pulgada (M5 x 75 mm)
- (4) n.º 10 (M5)

3/8 pulgada (0,95 cm) mínimo



Para marcar los puntos donde se deben practicar los orificios de montaje, saque las patas de goma, sujete el amplificador en el sitio donde lo va a poner y marque la pared a través de los orificios que tiene la caja.

Instalación del centro de medios Modelo AV-18/38/48

⚠ PRECAUCIÓN: Antes de hacer cualquier conexión, apague el sistema Lifestyle® y desconecte el centro de medios de la toma de corriente alterna (CA) de la red eléctrica. NO enchufe el amplificador en la toma de corriente hasta haber conectado todos los demás componentes.

1. Introduzca un extremo del cable A de enlace Bose® en el conector de salida del enlace Bose® del panel posterior del centro de medios (Figura 5).
2. Introduzca el otro extremo del cable A de enlace Bose® en el conector de entrada del enlace Bose® del panel posterior del amplificador estéreo Lifestyle®.

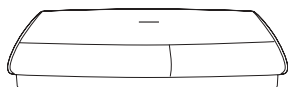
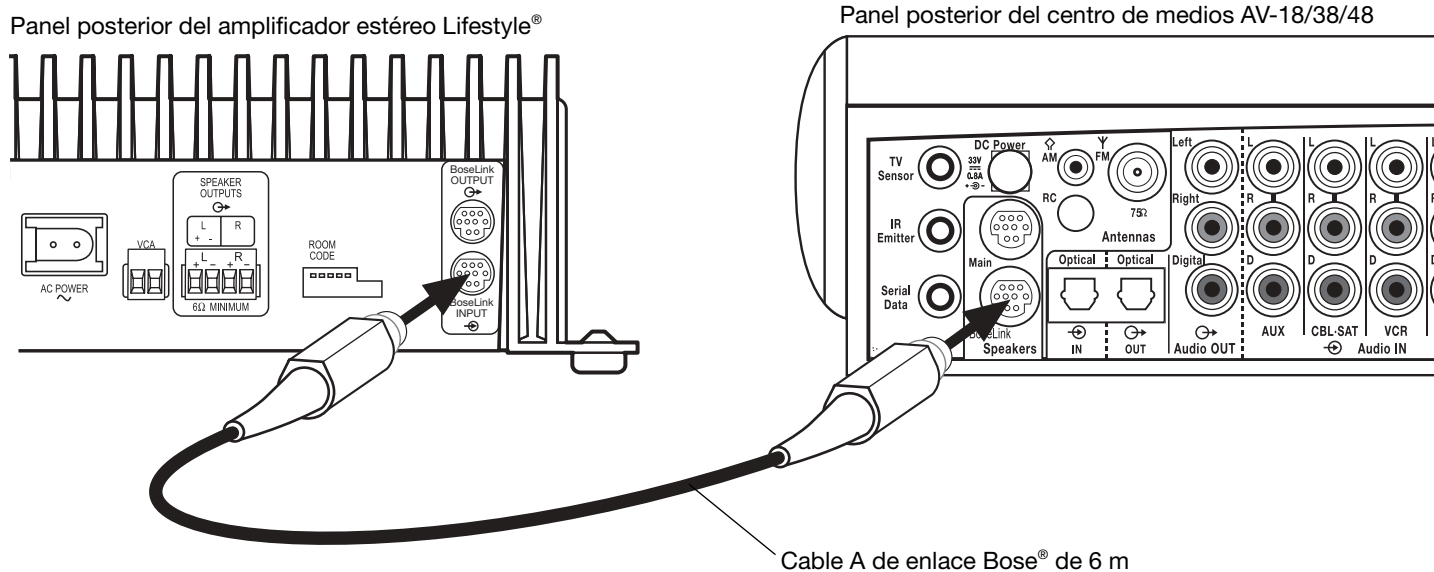


Figura 5

Conexiones del amplificador estéreo Lifestyle® al centro de medios AV-18/38/48



Configuración de los controles remotos RC18S y RC38S

El control remoto adicional se envía de fábrica ya configurado para una segunda sala (sala B). Para que el control remoto funcione con el sistema de entretenimiento, compruebe la configuración del código doméstico como se indica a continuación.

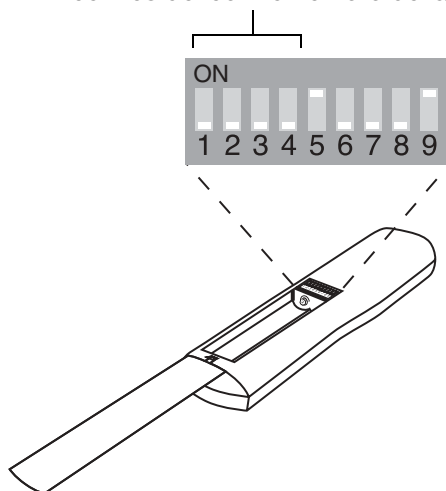
1. Quite la tapa del compartimiento de pilas del control remoto y busque los interruptores en miniatura (Figura 6).
2. Compruebe que los ajustes de código doméstico (interruptores 1, 2, 3 y 4) coinciden con los del control remoto de la sala principal.

🎵 **Nota:** Si se va a usar en una sala que no sea contigua, será necesario cambiar los ajustes de los interruptores. Consulte la "Configuración de sonido en salas adicionales", en la página 22.

Figura 6

Microinterruptores del control remoto

Los interruptores del código doméstico deben coincidir con los del control remoto de la sala principal



Compruebe la configuración del protocolo de expansión del sistema

Para que el amplificador estéreo Lifestyle® funcione correctamente con el sistema de entretenimiento doméstico, es necesario que el elemento de menú del protocolo de expansión se fije en **Normal**. Para comprobarlo:

1. Encienda el sistema de entretenimiento para el hogar con DVD Lifestyle® y la televisión.
2. Pulse el botón **System** (Sistema) del control remoto de la sala principal.
3. Seleccione la ficha **Audio** y desplácese hasta **Expansion Protocol** (Protocolo de expansión).
4. Compruebe que está seleccionada la opción **Normal**. En caso contrario, seleccione **Normal**.
5. Pulse el botón **Exit** (Salir) del control remoto.

Instalación del centro de medios Modelo AV-28

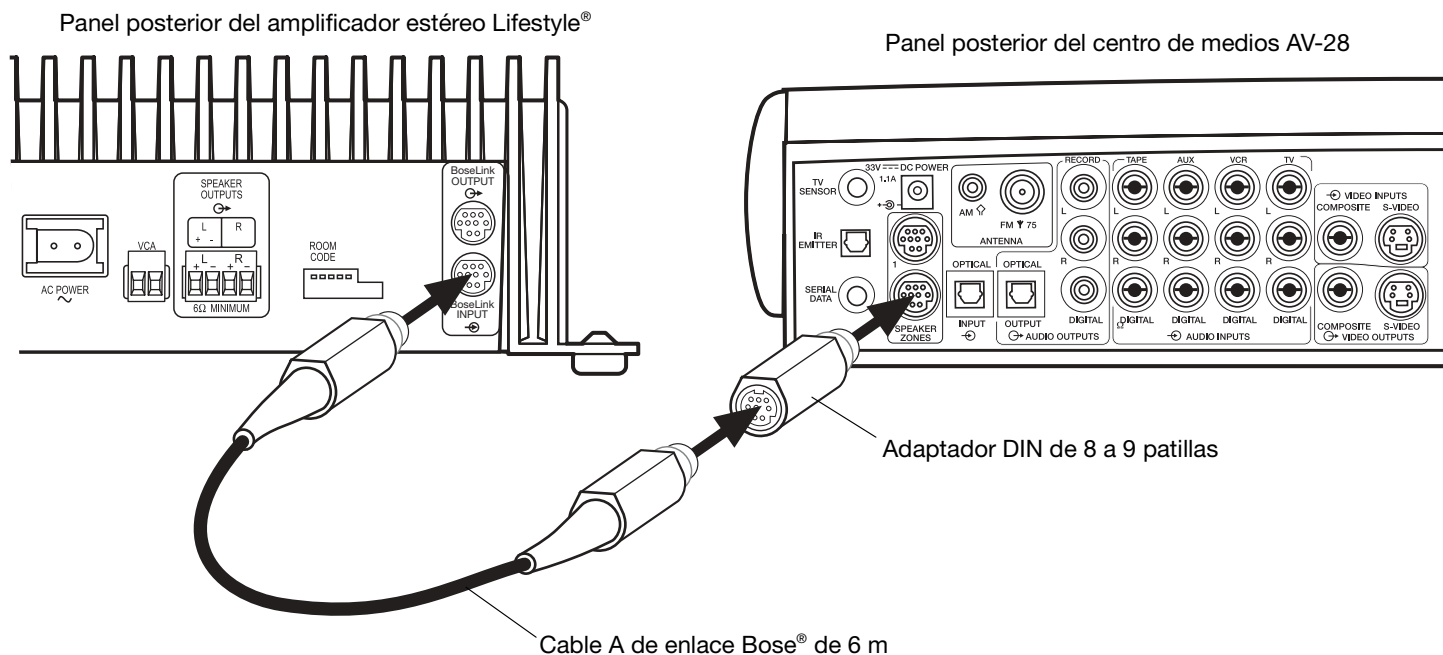
⚠ PRECAUCIÓN: Antes de hacer cualquier conexión, apague el sistema Lifestyle® y desconecte el centro de medios de la toma de corriente alterna (CA) de la red eléctrica. NO enchufe el amplificador en la toma de corriente hasta haber conectado todos los demás componentes.

1. Introduzca el adaptador de 8 a 9 patillas en el conector de salida SPEAKER ZONES 2 (Altavoz zona 2) del panel posterior del centro de medios (Figura 7).
2. Introduzca un extremo del cable A de enlace Bose® en el adaptador de 8 a 9 patillas.
3. Introduzca el otro extremo del cable A de enlace Bose® en el conector de entrada del enlace Bose® del panel posterior del amplificador estéreo Lifestyle®.



Figura 7

Conexiones del amplificador estéreo Lifestyle® al centro de medios AV-28



Configuración del control remoto RC28S

El segundo control remoto se envía de fábrica configurado para la Zona 2. Para que funcione con el sistema de entretenimiento del hogar, realice la siguiente comprobación del código doméstico.

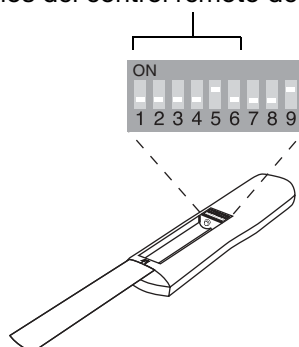
1. Quite la tapa del compartimiento de pilas del control remoto y busque los interruptores en miniatura (Figura 8).
2. Compruebe que los ajustes de código doméstico (interruptores 1, 2, 3 y 4) coinciden con los del control remoto de la sala principal.
3. Asegúrese de que los interruptores 5, 7 y 8 están subidos y de que los interruptores 6 y 9 están bajados.

🎵 **Nota:** Consulte la guía de usuario del sistema Lifestyle® para obtener más información sobre cómo utilizar el sistema en varias salas.

Figura 8

Microinterruptores del control remoto

Los interruptores del código doméstico deben coincidir con los del control remoto de la sala principal



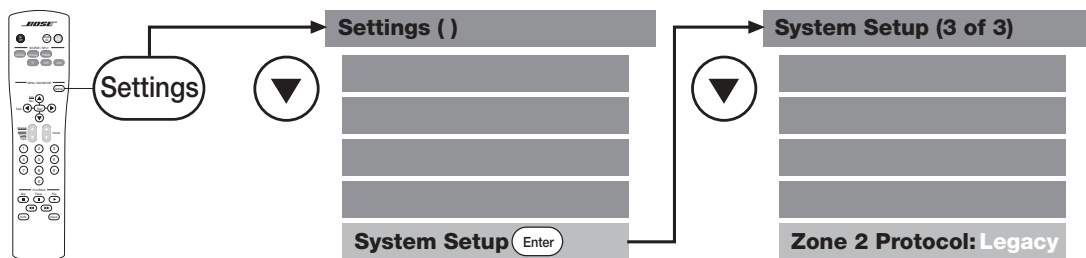
Configuración del Protocolo de zona 2 en el sistema de entretenimiento doméstico

Para que el amplificador estéreo Lifestyle® funcione con un centro de medios Lifestyle®, tendrá que fijar el **Protocolo de zona 2** en el modo **Legacy** (Anterior) (Figura 9).

1. Encienda el sistema de DVD Lifestyle® y la televisión.
2. Pulse el botón **Settings** (Configuración) del control remoto de la sala principal.
3. Desplácese hacia abajo, hasta **System Setup** (Configuración del sistema) y pulse el botón **Enter** (Intro).
4. Desplácese hasta el último elemento del menú, **Zone 2 Protocol** (Protocolo de zona 2).
5. Pulse el botón de flecha derecha del control remoto para cambiar el protocolo de **Normal** a **Legacy** (Anterior).
6. Apague el sistema y vuelva a encenderlo para asegurarse de que el **Protocolo de zona 2** queda fijado en **Legacy** (Anterior).

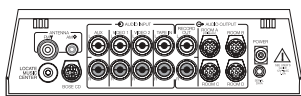
Figura 9

Configuración del protocolo de zona 2



Configuración de la interfaz de múltiples salas

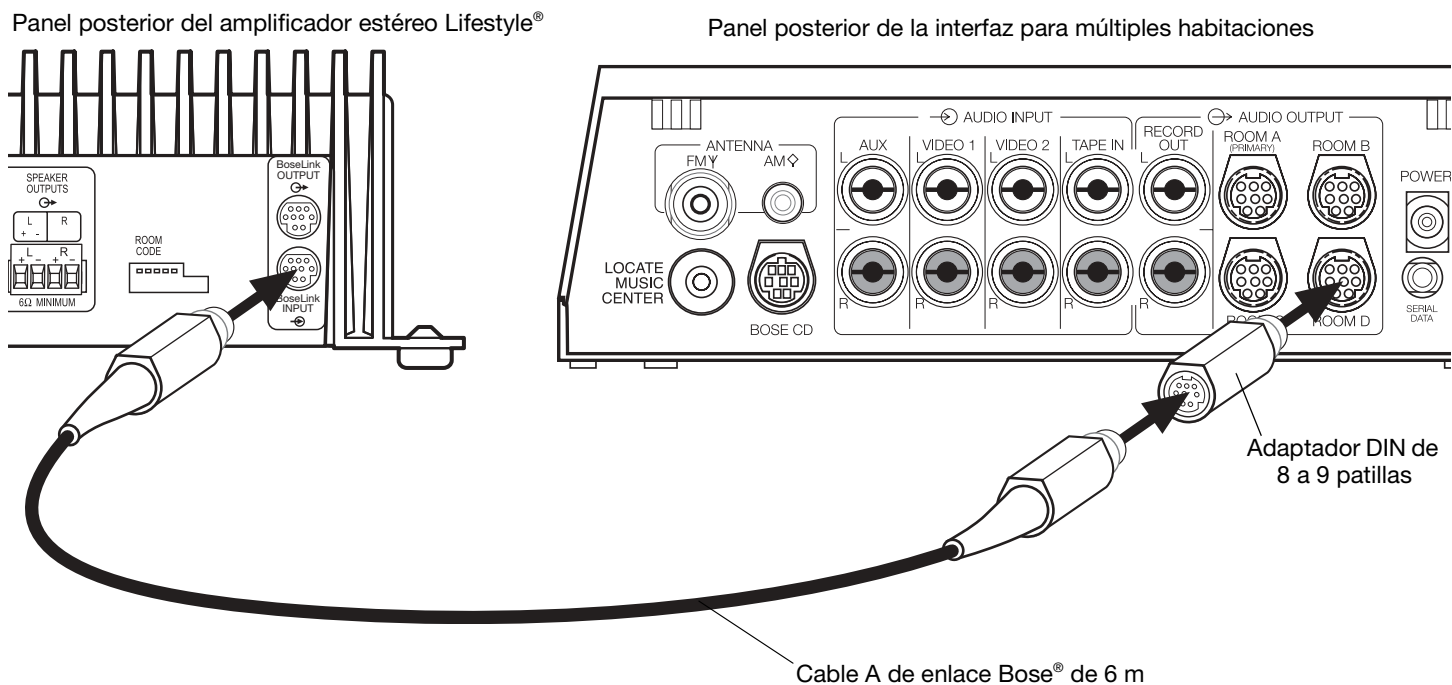
⚠ PRECAUCIÓN: Antes de hacer cualquier conexión, apague el sistema Lifestyle® y desconecte el centro de música de la toma de corriente alterna (CA) de la red eléctrica. NO enchufe el amplificador en la toma de corriente hasta haber conectado todos los demás componentes.



1. Introduzca el adaptador de 8 a 9 patillas en uno de los conectores de salida ROOM (sala) no utilizados (B, C o D) de la parte posterior de la interfaz de múltiples salas (Figura 10).
2. Introduzca un extremo del cable A de enlace Bose® en el adaptador de 8 a 9 patillas.
3. Introduzca el otro extremo del cable A de enlace Bose® en el conector de entrada del enlace Bose® del panel posterior del amplificador estéreo Lifestyle®.

Figura 10

Conexiones del amplificador estéreo Lifestyle® a la interfaz de múltiples salas



Configuración del centro de música Personal®



Los sistemas dotados de una interfaz para múltiples habitaciones se controlan mediante el centro de música Personal®, que no requiere que se configuren los interruptores internos para ofrecerle el control de altavoces en más de una habitación. Sin embargo, si usted adquiere un segundo centro de música Personal®, tendrá que efectuar el procedimiento de configuración inicial del centro de música Personal®.

🎵 **Nota:** Consulte la guía de usuario del sistema Lifestyle® para obtener más información sobre cómo utilizar el sistema en varias salas.

Selección de otras salas con el centro de música Personal®

El centro de música Personal® permite controlar hasta cuatro juegos de altavoces autoalimentados Bose® instalados en habitaciones distintas. Dichas habitaciones se denominan A, B, C y D, siendo A la habitación principal (es decir, la que se utiliza para el sistema de una sola habitación). Si hay dos o más habitaciones conectadas al sistema, el centro de música Personal® muestra los botones ROOM y HOUSE y los indicadores de habitación (A, B, C o D). En la Figura 11 se ilustra un ejemplo de la pantalla de un sistema para dos habitaciones.

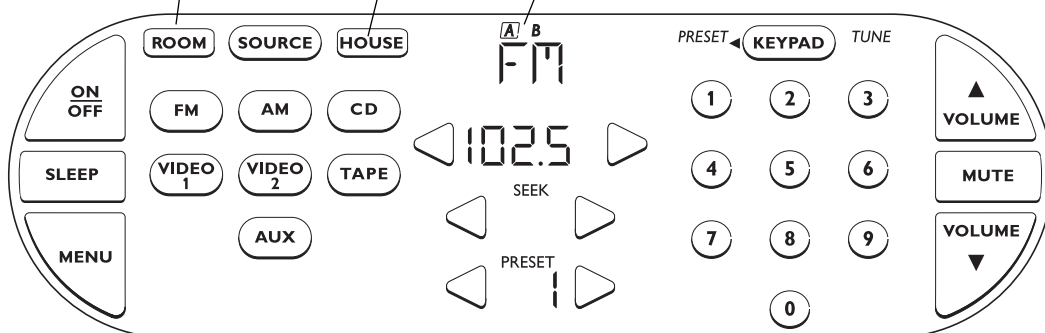
Figura 11

Ejemplo de pantalla de un sistema para dos habitaciones

Pulse el botón ROOM (Sala) para controlar una sola habitación, o dos o más habitaciones que comparten una sola fuente.

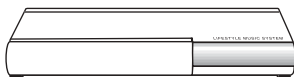
Pulse el botón HOUSE (Casa) para controlar todas las habitaciones conectadas como si se tratara de una sola.

Los indicadores de habitación muestran lo que se seleccionó con los botones ROOM o HOUSE.



Configuración del centro de música Modelo 20

⚠ PRECAUCIÓN: Antes de hacer cualquier conexión, apague el sistema Lifestyle® y desconecte el centro de música de la toma de corriente alterna (CA) de la red eléctrica. NO enchufe el amplificador en la toma de corriente hasta haber conectado todos los demás componentes.



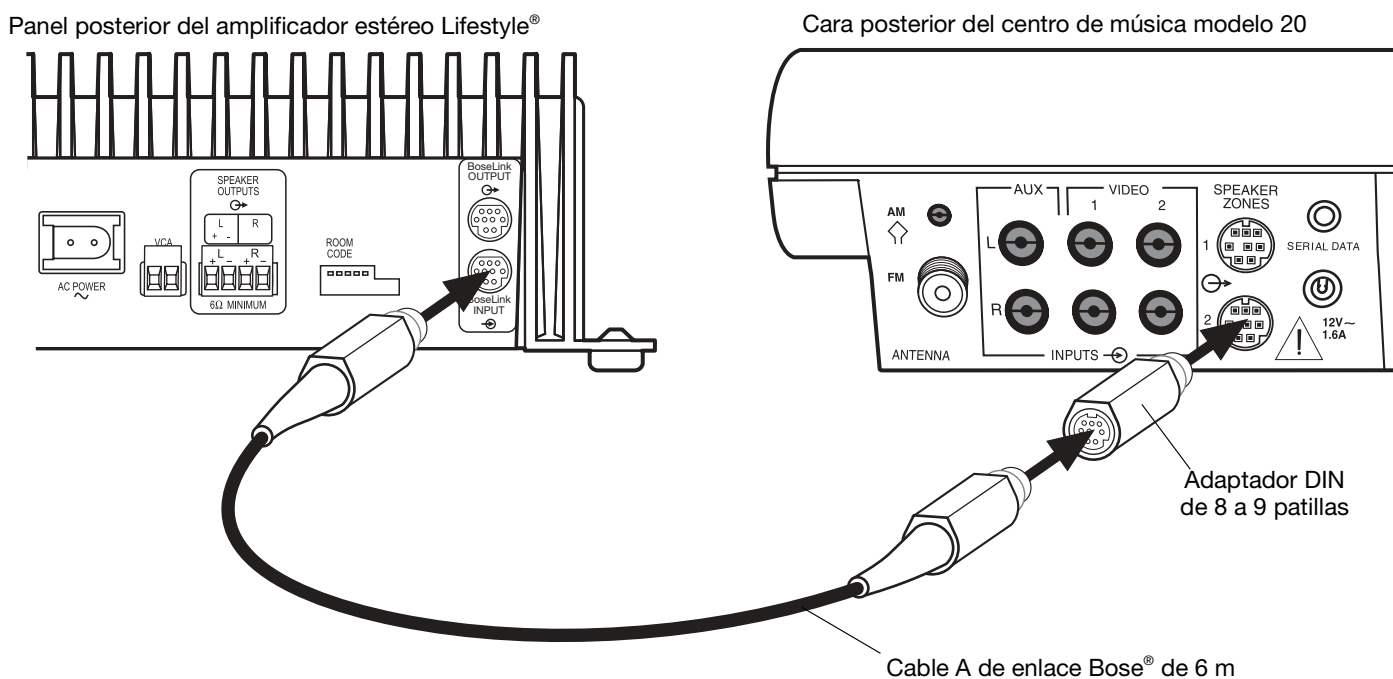
1. Introduzca el adaptador DIN de 8 a 9 patillas en el conector de salida SPEAKER ZONES 2 (Altavoz zona 2) del panel posterior del centro de música (Figura 12).
2. Introduzca un extremo del cable A de enlace Bose® en el adaptador de 8 a 9 patillas.
3. Introduzca el otro extremo del cable A de enlace Bose® en el conector de entrada del enlace Bose® del panel posterior del amplificador estéreo Lifestyle®.
4. Configure los interruptores ROOM CODE (Código de sala) del amplificador estéreo Lifestyle® para la sala E (interruptor 7 arriba, interruptores 6, 8 y 9 abajo).



Consulte “Configuración del código de sala del amplificador”, en la página 25.

Figura 12

Conexiones del amplificador estéreo Lifestyle® al centro de música Modelo 20



Configuración del control remoto RC-20 para ZONE 2

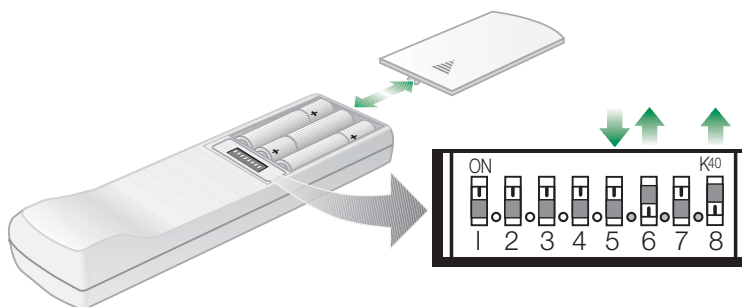
Si el sistema emplea un centro de música Modelo 20, es preciso configurar un segundo control remoto RC-20 para controlar las salidas ZONE 2.

1. Quite la tapa del compartimento de pilas del control remoto y busque los micro interruptores (Figura 13).
2. Compruebe que los ajustes de código residencial (interruptores 1, 2, 3 y 4) coincidan con los del primer mando.
3. Baje el interruptor 5 (posición de apagado) y suba los interruptores 6 y 8 (posición de encendido).

🎵 **Nota:** Consulte la guía de usuario del sistema Lifestyle® para obtener más información sobre cómo utilizar el sistema en varias salas.

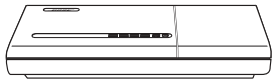
Figura 13

Configuración de interruptor para zona 2 del control RC-20



Configuración del centro de música Modelo 5

Esta configuración requiere un cable adaptador de entrada de audio de 1 m. Póngase en contacto con el distribuidor Bose o el departamento de atención al cliente Bose®. Consulte la lista de oficinas y números de teléfono incluida en la caja de envío.



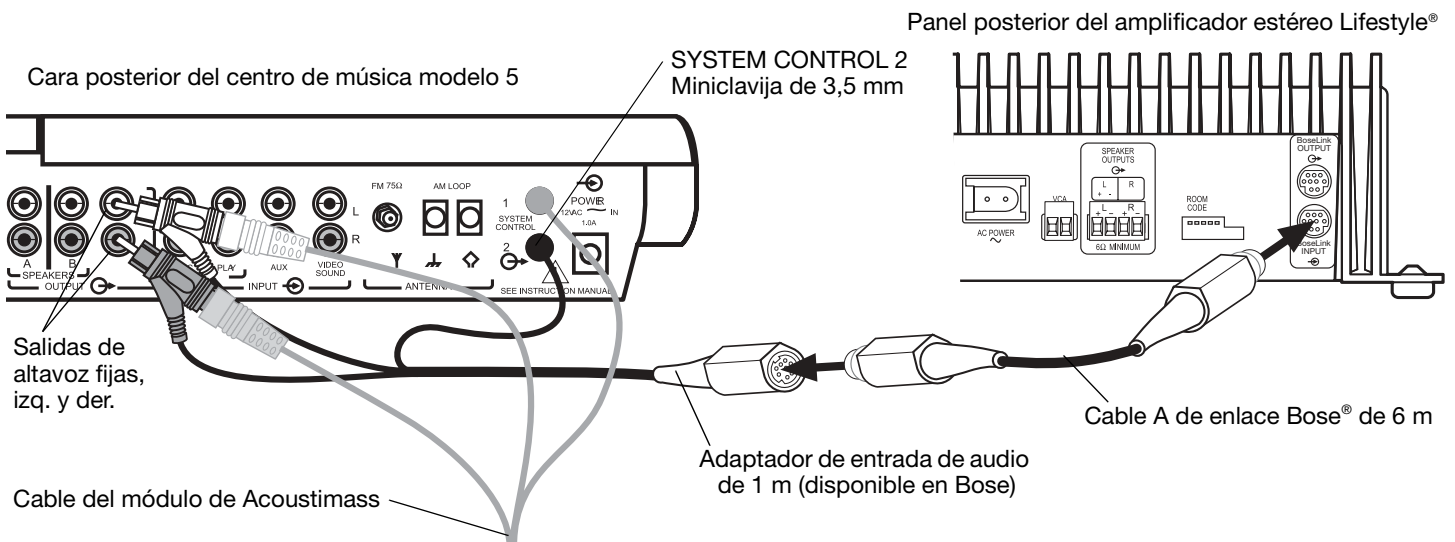
⚠ PRECAUCIÓN: Antes de hacer cualquier conexión, apague el sistema Lifestyle® y desconecte el centro de música de la toma de corriente alterna (CA) de la red eléctrica. NO enchufe el amplificador en la toma de corriente hasta haber conectado todos los demás componentes.

⚠ PRECAUCIÓN: NO conecte el cable de entrada de audio del amplificador estéreo Lifestyle® a las salidas para altavoces SPEAKERS A o SPEAKERS B. El amplificador está diseñado para funcionar debidamente con el nivel de salida fija producido en los conectores FIXED OUTPUT (Salida fija).

1. Desconecte el cable de Acoustimass® de las salidas FIXED L y R (Fijas, izquierda y derecha) del panel posterior del centro de música (Figura 14).
2. Inserte el conector en cascada RCA rojo del cable del adaptador de entrada de audio de 1 m en el conector FIXED OUTPUT R (Salida fija, derecha), y el conector en cascada RCA blanco en el conector FIXED OUTPUT L (Salida fija, izquierda). Introduzca la miniclavija de 3,5 mm en el conector SYSTEM CONTROL 2 (Control de sistema), en el panel posterior del centro de música.
3. Inserte los conectores en cascada RCA rojo y blanco del cable Acoustimass en los conectores en cascada rojo o blanco, respectivamente.
4. Enchufe un extremo del cable de audio de 6 m (incluido) en el extremo libre del cable del adaptador de entrada de audio de 1 m. Enchufe el otro extremo del cable de audio de 6 m en el conector de entrada del enlace Bose®, en el panel posterior del amplificador estéreo Lifestyle®.

Figura 14

Conexiones del amplificador estéreo Lifestyle® al centro de música Modelo 5



Configuración del mando a distancia RC-5

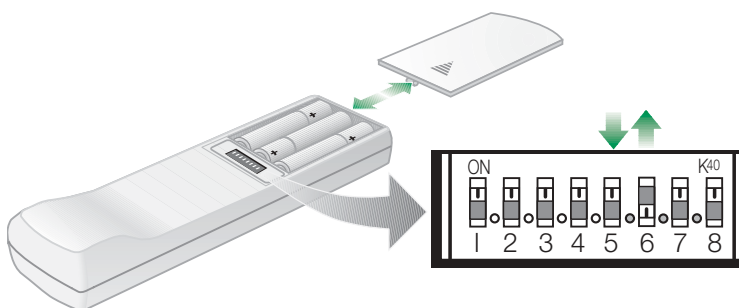
Si el sistema emplea un centro de música modelo 5, es preciso configurar un segundo control remoto RC-5 para controlar el amplificador estereofónico Lifestyle®.

1. Quite la tapa del compartimento de pilas del control remoto y busque los micro interruptores (Figura 15).
2. Compruebe que los ajustes de código residencial (interruptores 1, 2, 3 y 4) coincidan con los del primer mando.
3. Baje el interruptor 5 (posición de apagado) y suba el interruptor 6 (posición de encendido).

🎵 **Nota:** Consulte la guía de usuario del sistema Lifestyle® para obtener más información sobre cómo utilizar el sistema en varias salas.

Figura 15

Ajustes de los interruptores del control remoto RC-5



Conexión de altavoces al amplificador estereofónico Lifestyle®

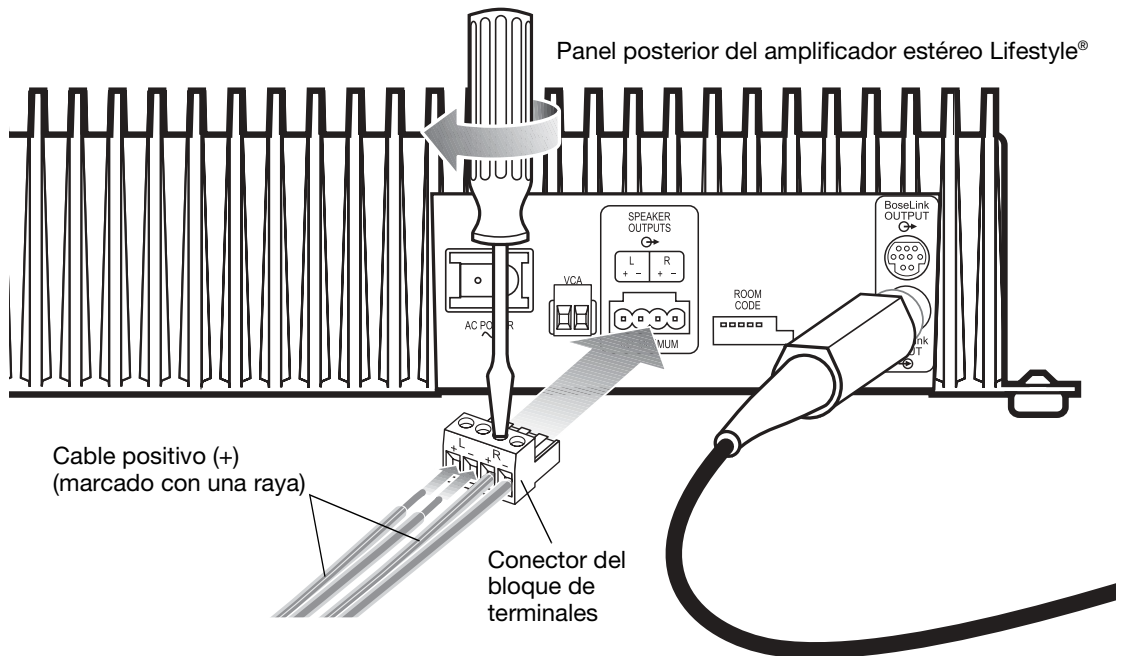
- ⚠ **PRECAUCIÓN:** NO conecte un altavoz autoalimentado de ninguna marca o modelo a las salidas de altavoces del amplificador estéreo Lifestyle®. Este tipo de conexión perjudicaría el equipo.
- ⚠ **PRECAUCIÓN:** Desconecte el amplificador de la alimentación de CA antes de conectar los altavoces.
- ⚠ **PRECAUCIÓN:** El amplificador estéreo Lifestyle® requiere una carga mínima de 6 ohmios.

El cable del altavoz consta de dos cables aislados. Uno de ellos suele estar marcado (con rayas, un collarín o acanaladuras), para indicar que debe conectarse al terminal positivo (+). El conductor sin marcar debe conectarse siempre al terminal negativo (-). En la sección "Recomendaciones sobre los cables", en la página 29 hallará los tamaños y longitudes recomendados para estos cables.

1. Saque el conector del bloque de terminales del conector SPEAKER OUTPUTS (Salidas de altavoces) del panel posterior del amplificador.
2. Conecte el cable del altavoz izquierdo a los terminales izquierdos positivo (+) y negativo (-) del conector de 4 patillas del bloque de terminales.
3. Conecte el cable del altavoz derecho a los terminales derechos positivo (+) y negativo (-) del conector de 4 patillas del bloque de terminales.
4. Enchufe el conector del bloque de terminales al conector SPEAKER OUTPUTS (Salidas de altavoces).

Figura 16

Conexión del cable de altavoz a SPEAKER OUTPUTS (Salidas de altavoces)



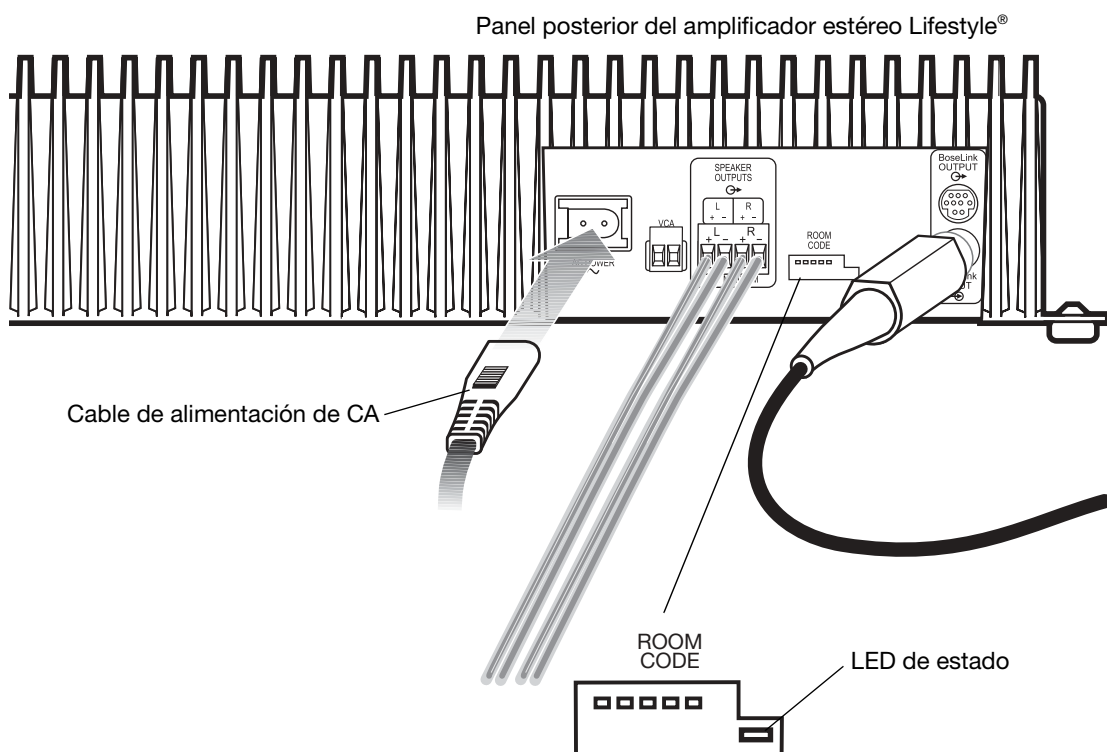
Encendido del sistema

⚠ PRECAUCIÓN: NO enchufe el cable de alimentación CA en una toma de corriente de la red eléctrica hasta haber conectado todos los demás componentes.

1. Inserte firmemente el conector pequeño del cable de alimentación provisto con el amplificador Lifestyle®, en la toma de corriente alterna del panel posterior del amplificador (Figura 17).
2. Conecte el cable de alimentación del amplificador estereofónico Lifestyle® y el sistema de música Lifestyle® a una toma CA de la red eléctrica. El LED de estado indica el estado operativo del amplificador.
3. Seleccione una fuente de música mediante el centro de música Personal® o con el nuevo control remoto, y ajuste el volumen al nivel que desee.

Figura 17

Conexión del cable de alimentación



Actividad del LED	Significado
Parpadeo constante y lento (1 segundo encendido y 3 apagado)	El amplificador está en OFF (en espera).
Encendido permanentemente	El amplificador está encendido y listo para emitir sonidos.
Parpadeo rápido	El amplificador está encendido y recibe comandos de datos desde el centro de medios, mediante el puerto de enlace Bose®.
Parpadeo constante y lento (1 segundo encendido y 5 apagado)	El amplificador está configurado como adicional y está apagado.
Se enciende pero con parpadeo muy rápido	El amplificador está configurado como adicional y está encendido.

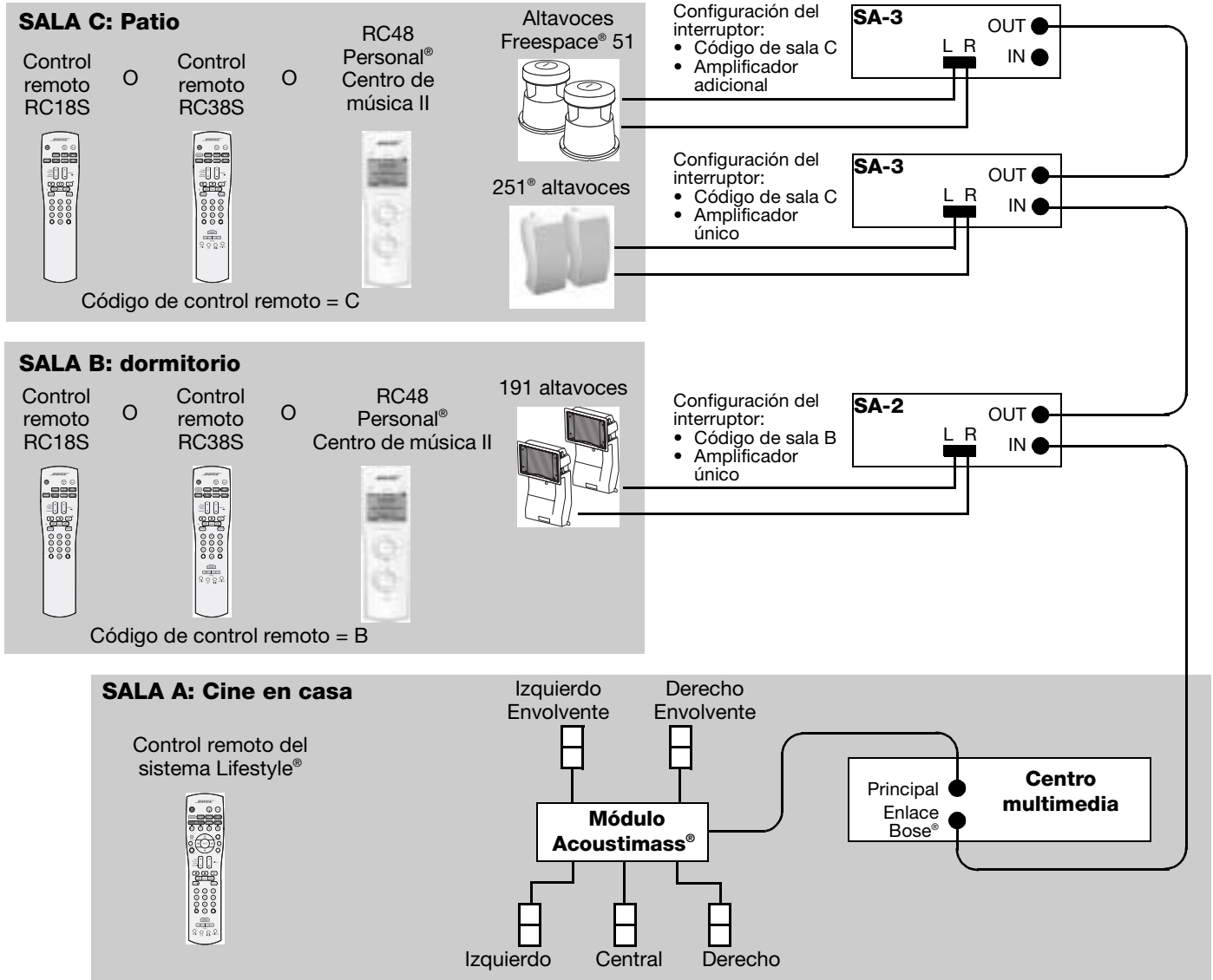
Directrices de instalación en salas adicionales

Si dispone de un sistema de entretenimiento para el hogar Lifestyle® 18 de la serie II, 28 de la serie II, 38 ó 48, puede experimentar un sonido estéreo en hasta 14 habitaciones más con los amplificadores estéreo, sistemas de altavoces compatibles y controles remotos Lifestyle®.

- Los controles remotos de otras salas se deben configurar con el mismo código doméstico que el control remoto de la sala principal, pero cada uno de esos controles remotos puede tener su propio código individual de sala. Consulte la “Configuración de los controles remotos de otras salas”, en la página 24.
- El amplificador Lifestyle® y su control remoto se deben configurar con el mismo código de sala. Consulte la “Configuración del código de sala del amplificador”, en la página 25.
- Cuando se utiliza más de un amplificador para dos altavoces de una sala (Figura 18, sala C), todos los amplificadores deben tener el mismo código de sala. Asimismo, es necesario configurar un amplificador en el modo de amplificador único; los demás deben configurarse en el modo de amplificador adicional. Consulte “Amplificadores únicos y adicionales”, en la página 26.

Figura 18

Instalación de muestra de los amplificadores estéreo Lifestyle®



Español

Configuración de los controles remotos de otras salas

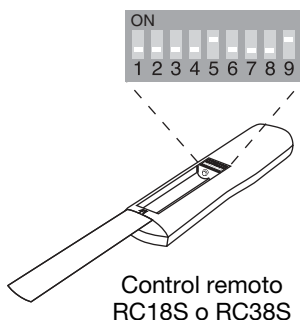
Para configurar los controles remotos RC18S o RC38S:

1. Quite la tapa del compartimento de pilas del control remoto y busque los microinterruptores (Figura 19).
2. Compruebe que los ajustes de código doméstico (interruptores 1, 2, 3 y 4) coinciden con los del control remoto de la sala principal.
3. Este control remoto se envía de fábrica configurado para la sala B. Si va a utilizarlo en otra sala que no sea contigua, configure los interruptores 6, 7, 8 y 9 con el mismo código de sala que el amplificador estéreo Lifestyle®.

🎵 **Nota:** Consulte la guía de usuario del sistema Lifestyle® para obtener más información sobre cómo utilizar el sistema en varias salas.

Figura 19

Configuración de los microinterruptores de los controles remotos RC18S y RC38S



Sala	6	7	8	9
B	Abajo	Abajo	Abajo	Arriba
C	Abajo	Abajo	Arriba	Abajo
D	Abajo	Abajo	Arriba	Arriba
E	Abajo	Arriba	Abajo	Abajo
F	Abajo	Arriba	Abajo	Arriba
G	Abajo	Arriba	Arriba	Abajo
H	Abajo	Arriba	Arriba	Arriba
I	Arriba	Abajo	Abajo	Abajo
J	Arriba	Abajo	Abajo	Arriba
K	Arriba	Abajo	Arriba	Abajo
L	Arriba	Abajo	Arriba	Arriba
M	Arriba	Arriba	Abajo	Abajo
N	Arriba	Arriba	Abajo	Arriba
O	Arriba	Arriba	Arriba	Abajo

Para configurar el Centro de música II Personal® RC48:

Consulte la guía de usuario que se entrega con el centro de música II Personal® RC48 si desea obtener instrucciones para configurar este control remoto en otras salas.

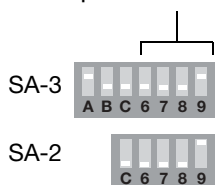
Configuración del código de sala del amplificador

El código de sala del amplificador debe coincidir con el código de sala del control remoto que se usa en la sala donde están instalados los altavoces.

Figura 20

Configuración del código de sala del amplificador

Interruptores del código de sala



Sala	6	7	8	9
B	Abajo	Abajo	Abajo	Arriba
C	Abajo	Abajo	Arriba	Abajo
D	Abajo	Abajo	Arriba	Arriba
E	Abajo	Arriba	Abajo	Abajo
F	Abajo	Arriba	Abajo	Arriba
G	Abajo	Arriba	Arriba	Abajo
H	Abajo	Arriba	Arriba	Arriba
I	Arriba	Abajo	Abajo	Abajo
J	Arriba	Abajo	Abajo	Arriba
K	Arriba	Abajo	Arriba	Abajo
L	Arriba	Abajo	Arriba	Arriba
M	Arriba	Arriba	Abajo	Abajo
N	Arriba	Arriba	Abajo	Arriba
O	Arriba	Arriba	Arriba	Abajo

Interruptores de modo de amplificador

Las funciones avanzadas del amplificador estéreo Lifestyle® se configuran con los micro interruptores A, B y C (Figura 21). El SA-3 tiene los tres interruptores; el SA-2 sólo tiene el interruptor C.

Figura 21

Micro interruptores SA-2 y SA-3

	Interruptor	Posición	Función
SA-3	A	Abajo	Salida mono
		Arriba*	Salida estéreo
SA-2	B	Abajo*	Detección automática de fuente local desactivada
		Arriba	Detección automática de fuente local activada
	C	Abajo*	Amplificador único
		Arriba	Amplificador adicional

*Configuración de fábrica

Salida estéreo o mono (sólo SA-3)

Es posible configurar la salida del amplificador SA-3 como estéreo (interruptor A arriba, según el ajuste de fábrica) o mono (interruptor A abajo). El modo de salida mono proporciona el audio de los canales izquierdo y derecho a las salidas izquierda y derecha. Este modo resulta útil en las situaciones en las que no es viable aplicar una salida estéreo, como cuando se utilizan altavoces de exteriores en zonas amplias.

Detección automática de una fuente local (sólo SA-3)

Cuando se conecta una fuente a los conectores AUX INPUT (Entrada auxiliar), es posible configurar los amplificadores para que detecten cuándo se activa esa fuente y pongan automáticamente el amplificador en modo activo.

El amplificador se entrega con esta función desactivada. Para la detección automática de la fuente local, ponga el interruptor B arriba.

Amplificadores únicos y adicionales

Si desea abarcar una gran superficie, como un patio exterior, que requiera más de un conjunto de altavoces, puede instalar amplificadores adicionales. Consulte la configuración para sala C en "Directrices de instalación en salas adicionales", en la página 22.

- Deje el interruptor C bajado (es el ajuste de fábrica: modo de amplificador único) en un amplificador y suba el interruptor C (modo de amplificador adicional) en el resto de los amplificadores.
- Configure el mismo código de sala del control remoto en todos los amplificadores.
- Ya puede encenderlos y apagarlos, cambiar el volumen o silenciarlos al mismo tiempo con un único mando a distancia.

Limpieza del amplificador

⚠ PRECAUCIÓN: Desconecte el cable de alimentación de la salida de CA antes de limpiar el equipo.

Puede que el amplificador, que está diseñado para utilizarse exclusivamente bajo techo, acumule polvo con el paso del tiempo. Si necesita limpiar el amplificador, utilice sólo un paño suave y seco para quitar el polvo del exterior de la caja. Puede usar también el accesorio de cepillo del aspirador para limpiar las zonas más inaccesibles. NO use disolventes, sustancias químicas ni soluciones detergentes que contengan alcohol, amoníaco o abrasivos.

Protección del cableado a la intemperie

Aunque ciertos altavoces Bose® están diseñados para usarse al aire libre y han demostrado ser capaces de tolerar las condiciones climáticas exteriores, los extremos descubiertos de los cables de altavoz pueden verse afectados por la exposición a la intemperie. Esto es cierto especialmente en caso de exposición al agua del mar.

Para proteger las conexiones de los cables de altavoz, puede recubrirlas con material de calafateo siliconizado, como por ejemplo adhesivo RTV. Este producto se consigue fácilmente en ferreterías. Si decide usar el calafateo, aplíquelo sólo después de conectar los cables y apretar las perillas. Compruebe el estado del recubrimiento una vez al año, y vuelva a aplicarlo según la necesidad.

Resolución de problemas

Si experimenta dificultades para utilizar el sistema Lifestyle® después de instalar el amplificador estereofónico Lifestyle®, siga las directrices que figuran a continuación. Para obtener asistencia adicional, consulte la sección sobre resolución de problemas de la guía del usuario. Si el problema persiste, póngase en contacto con un distribuidor de Bose para encargar servicio técnico, o bien llame al Departamento de atención al cliente de Bose. En la lista de direcciones que figura en el embalaje del producto podrá encontrar el número de teléfono correcto.

Problema	Acción
No funciona ninguno de los altavoces.	<ul style="list-style-type: none"> • Asegúrese de que tanto el centro de música Lifestyle® como el amplificador estén enchufados y encendidos. • Asegúrese de que los conectores estén insertados por completo y que las salidas estén funcionando. • Compruebe que se haya seleccionado una fuente de sonido (AM, FM, CD, AUX, etc.). Si se ha seleccionado CD o AUX, compruebe que haya un CD en el lector, o que esté encendida la fuente conectada a la salida AUX. • Si utiliza un centro de música Modelo 20, asegúrese de que el cable de entrada de audio esté enchufado en la toma SPEAKER ZONE 2. • Si utiliza un centro de música modelo 5 para cine en casa (sistemas Lifestyle® 12 o Lifestyle® 8), cerciórese de que el cable de entrada de audio esté enchufado en las salidas FIXED OUTPUT del centro de música. En este caso, el cable de salida del altavoz que va al módulo Acoustimass® debe conectarse a las tomas en cascada (o de configuración en Y) del cable de entrada de audio. • Desconecte los auriculares. • Compruebe que los interruptores del mando a distancia estén configurados correctamente.
Sólo funciona uno de los altavoces.	<ul style="list-style-type: none"> • Compruebe los cables conectados al altavoz que no funcionan. • Asegúrese de que los cables estén en buenas condiciones y conectados firmemente en ambos extremos. • Consulte la "Conexión de altavoces al amplificador estereofónico Lifestyle®", en la página 20.
Uno de los altavoces sigue sin funcionar.	<ul style="list-style-type: none"> • Desconecte los cables de ese altavoz y del amplificador. Desconecte el cable del altavoz que funciona y enchúfelo en el altavoz que no funciona. Si sigue sin funcionar, significa que el problema está en el altavoz. Si suena, siga probando hasta encontrar el origen del problema. • Desconecte el mismo cable del amplificador y conéctelo a las demás salidas del amplificador. Si el altavoz funciona, significa que el problema reside en el cable que se hallaba originalmente conectado a ese altavoz; si no funciona, es porque el problema reside en ese canal del amplificador.

Problema	Acción
Los canales de estéreo derecho e izquierdo se reproducen en los altavoces opuestos.	<ul style="list-style-type: none"> • Compruebe las conexiones de los cables de altavoz para cerciorarse de que el otro extremo del cable acoplado a las salidas SPEAKER OUTPUT L esté enchufado al altavoz de la izquierda en el área de escucha. • Compruebe las conexiones de los cables de altavoz para cerciorarse de que el otro extremo del cable acoplado a las salidas SPEAKER OUTPUT R esté enchufado al altavoz de la derecha en el área de escucha.
Los graves o los agudos son débiles.	<ul style="list-style-type: none"> • Revise las conexiones de los cables de altavoz; Compruebe que todos los conductores estén conectados + a + y - a -. • Consulte "Conexión de altavoces al amplificador estereofónico Lifestyle®", en la página 20.
Interferencia	<ul style="list-style-type: none"> • Asegúrese de que los cables de altavoz estén bien insertados en los terminales de las caras posteriores del altavoz y del amplificador. Asegúrese de que no haya conductores haciendo contacto entre los terminales. • Consulte "Conexión de altavoces al amplificador estereofónico Lifestyle®", en la página 20.
El mando a distancia no permite ajustar el volumen.	<ul style="list-style-type: none"> • Asegúrese de que la miniclavija de 3,5 mm está debidamente introducida en el conector SYSTEM CONTROL 2 (sólo para el centro de música Modelo 5). • Si utiliza un control remoto RC-20 o RC-5, compruebe que los interruptores estén configurados correctamente. • Si utiliza un control de volumen local (VCA), póngalo en posición OFF (apagado).
Volumen disminuye súbitamente	<ul style="list-style-type: none"> • Baje el ajuste de volumen para ver si el nivel vuelve a la normalidad. En caso afirmativo, la pérdida repentina del volumen es una acción intencional ejecutada por la función de protección contra sobrecargas del amplificador. Esta función se habilita automáticamente si el volumen está demasiado alto y está sobrecargando a los altavoces. Elija un volumen más bajo para garantizar un nivel continuo y uniforme.
La Zona 2 no funciona en absoluto	<ul style="list-style-type: none"> • Si utiliza un sistema de DVD Lifestyle®, el amplificador estéreo funcionará únicamente si usted fija el "Protocolo de la zona 2" en "Anterior". Si desea obtener más información, consulte la guía del usuario del sistema DVD Lifestyle®.

Servicio al cliente

Para obtener ayuda adicional sobre la resolución de problemas, póngase en contacto con el Departamento de atención al cliente de Bose®. En la lista de direcciones que figura en el embalaje del producto podrá encontrar el número de teléfono correcto.

Garantía limitada

El amplificador estereofónico Bose Lifestyle® está amparado por una garantía transferible limitada de un año. Los detalles sobre la cobertura constan en la tarjeta de registro del producto que se incluye con el mismo. Sírvase rellenar la sección de información solicitada y remitir la tarjeta a Bose. En caso de no hacerlo, los derechos de la garantía no resultan afectados.

Accesorios

- Cable adaptador de enlace al Modelo 5 de Bose® (PN 278128)
- Cable alargador de 15 m de Bose® (PN 275475-050)

Información técnica

Características

- Tecnología de tratamiento de señales digitales patentada por Bose®
- Control digital de volumen incorporado
- Protección contra sobrecargas térmicas
- Patas protectoras de caucho

Voltaje

- EE.UU./Canadá: 120 V \sim 50/60 Hz, 220 W (SA-2), 400 W (SA-3)
- Modelos internacionales: 220-240 V \sim 50/60 Hz, 220 W (SA-2), 400 W (SA-3)

Sensibilidad de entrada

- 0,5 Vrms a 1 kHz

Proporción señal a ruido (S/R)

- 90 dB

	SA-2	SA-3
Conectores de entrada y salida	Conector del control de volumen VCA Salidas de altavoz izquierda y derecha Entrada y salida de enlace Bose®	Conector del control de volumen VCA Salidas de altavoz izquierda y derecha Entrada AUX Entrada y salida de enlace Bose®
Potencia de salida (promedio continuo)	40 W mínimo por canal en 6 Ohm, de 30 a 15 kHz, sin más de un 0,5% de D.A.T.	100 W mínimo por canal en 6 Ohm, de 30 a 15 kHz, sin más de un 0,5% de D.A.T.
Dimensiones	14¼" A x 5½" P x 3½" a (40,1 cm x 27,9 cm x 9,0 cm)	14¼" A x 5½" P x 4¼" a (36,2 cm x 13,8 cm x 10,7 cm)
Peso	3,42 kg	4,95 kg

Acabado

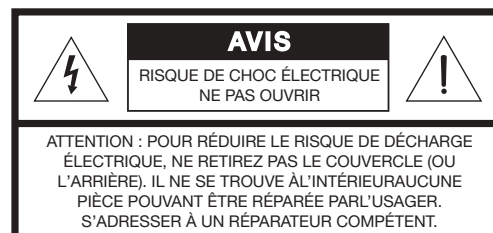
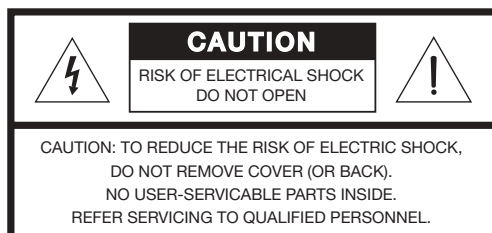
- Pintura en polvo negra

Recomendaciones sobre los cables

Longitud (máx.)	Calibre
9 m	0,75 mm ²
14 m	1,7 mm ²
21 m	2,0 mm ²

AVERTISSEMENT : Afin de limiter les risques d'incendie ou d'électrocution, n'exposez pas l'appareil à la pluie ou à l'humidité.

AVERTISSEMENT : Protégez-le de tout risque de ruissellement ou d'éclaboussure. Ne placez pas d'objets contenant des liquides, tels que des vases, sur l'appareil. Comme avec tout appareil électronique, veillez à ne pas renverser de liquides sur aucune partie de l'appareil. Les liquides peuvent provoquer des pannes et/ou un risque d'incendie.



Ces marquages de SÉCURITÉ sont situés sur le boîtier de votre système :



Le symbole représentant un point d'exclamation à l'intérieur d'un triangle équilatéral, tel qu'il figure sur le système, signale à l'utilisateur la présence d'instructions importantes relatives au fonctionnement et à l'entretien de l'appareil dans cette notice d'utilisation.



Le symbole représentant un éclair avec une flèche à l'intérieur d'un triangle équilatéral est utilisé pour prévenir l'utilisateur de la présence d'une tension électrique dangereuse non isolée à l'intérieur de l'appareil. Cette tension est d'un niveau suffisamment élevé pour représenter un risque d'électrocution.

Émissions de classe B

Cet appareil numérique de classe B est entièrement conforme aux normes « Canadian Interference-Causing Equipment Regulations » (Réglementation canadienne sur les équipements pouvant causer des interférences).

ATTENTION : Afin d'éviter tout risque d'électrocution, insérez bien la fiche du cordon d'alimentation dans la fente correspondante de la prise d'alimentation.

ATTENTION : Ce produit n'est pas conçu pour une utilisation dans des véhicules ou des applications sous-marines.

AVERTISSEMENT : Ne placez jamais d'objets enflammés, tels que des bougies allumées, sur l'appareil.

Remarque : L'étiquette d'identification du produit est située au-dessous de l'appareil.

Veillez lire cette notice d'utilisation

Prenez le temps de lire attentivement les instructions de cette notice d'utilisation. Elles vous seront précieuses pour installer et utiliser correctement votre système et vous aideront à tirer le meilleur parti de sa technologie. Conservez cette notice d'utilisation pour référence ultérieure.

©2004 Bose Corporation. Toute reproduction, modification, distribution ou autre utilisation, même partielle, de ce document est interdite sans autorisation écrite préalable. Toutes les marques déposées auxquelles le présent document fait référence sont la propriété de Bose Corporation. Tous droits réservés.
Bose, Acoustimass, Lifestyle, Personal et Wave sont des marques déposées de Bose Corporation.

Pour trouver ...

Présentation des amplificateurs stéréo Lifestyle® SA-2 et SA-3	4
Avant de commencer	4
Déballage	4
Caractéristiques du panneau de connexion	5
Installation de l'amplificateur stéréo Lifestyle®	7
Identification du système	7
Choix d'un emplacement pour l'amplificateur stéréo Lifestyle®	8
Fixation de l'amplificateur stéréo Lifestyle®	9
Installation avec le media center AV-18/38/48	10
Installation avec le media center AV-28	12
Installation avec l'interface multipièce	14
Installation avec le music center modèle 20	16
Installation avec le music center modèle 5	18
Connexion d'enceintes à l'amplificateur stéréo Lifestyle®	20
Mise sous tension du système	21
Configuration pour la sonorisation de pièces supplémentaires	22
Instructions de configuration pour la sonorisation des pièces supplémentaires	22
Configuration des télécommandes des autres pièces	24
Configuration du code de salle de l'amplificateur	25
Configuration des fonctionnalités avancées	26
Commutateurs du mode amplificateur	26
Sortie stéréo ou mono (SA-3 uniquement)	26
Détection automatique d'une source locale (SA-3 uniquement)	26
Amplificateur principal et secondaires	26
Entretien de l'amplificateur stéréo Lifestyle®	27
Nettoyage de l'amplificateur	27
Protection des câbles extérieurs	27
Dépannage	27
Service client	28
Garantie limitée	28
Accessoires	28
Informations techniques	29

Renseignements à conserver

Notez la référence, le numéro de série et la date d'achat du produit. Le numéro de série figure au-dessous de votre amplificateur stéréo Lifestyle®.

Modèle : SA2 SA3

Numéro de série : _____

Date d'achat : _____

Nous vous conseillons de conserver votre facture ainsi qu'une copie de la carte d'enregistrement de votre produit avec cette notice d'utilisation.

Avant de commencer

Nous vous remercions d'avoir acheté un amplificateur stéréo Lifestyle® SA-2 ou SA-3. L'amplificateur stéréo Lifestyle® vous offre une solution simple afin d'ajouter des enceintes Bose® non-amplifiées et résistantes aux conditions climatiques ou des enceintes accessoires Bose non-amplifiées à votre système Lifestyle®. Grâce à la technologie déposée de Bose qui assure le traitement intégré du signal, cet amplificateur offre un son stéréo complet et riche, même à faible volume. Il vous permet de profiter de la qualité du son Bose et du confort d'utilisation du système Lifestyle® que vous vous trouviez dans votre jardin, dans votre patio, à côté de la piscine, dans votre garage ou encore dans votre buanderie.

Déballage

AVERTISSEMENT : Pour éviter tout risque d'étouffement, gardez les sacs plastiques hors de portée des enfants.

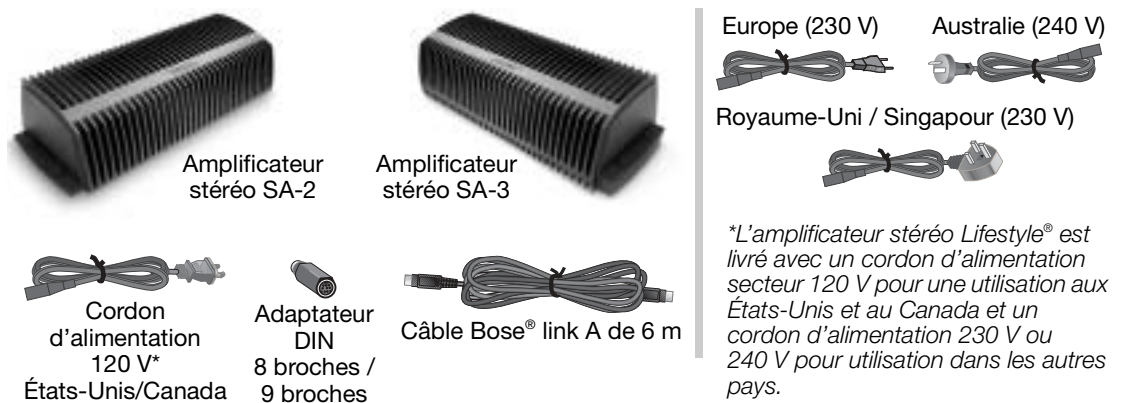
Déballer le contenu du carton avec précaution. Vérifiez que l'emballage de votre amplificateur stéréo Lifestyle® contient les éléments identifiés sur la Figure 1. Nous vous recommandons de conserver tous les emballages pour une éventuelle utilisation ultérieure. En cas de besoin, les emballages d'origine constitueront la façon la plus sûre de transporter cet appareil.

Remarque : Repérez le numéro de série situé au-dessous de l'amplificateur et notez-le dans le cadre réservé à cet effet page 3.

Si vous remarquez que l'un des composants de l'appareil semble endommagé, n'essayez pas de l'utiliser. Contactez votre revendeur Bose agréé ou contactez le service client de Bose. Reportez-vous à la liste d'adresses fournie pour obtenir les numéros de téléphone appropriés.

Figure 1

Contenu du carton d'emballage



Remarque : Utilisez uniquement le cordon d'alimentation fourni avec votre amplificateur stéréo Lifestyle®. Si le cordon d'alimentation ne correspond pas à votre prise d'alimentation secteur, NE LE MODIFIEZ PAS de quelque façon que ce soit. Contactez le service client de Bose pour obtenir de l'aide.

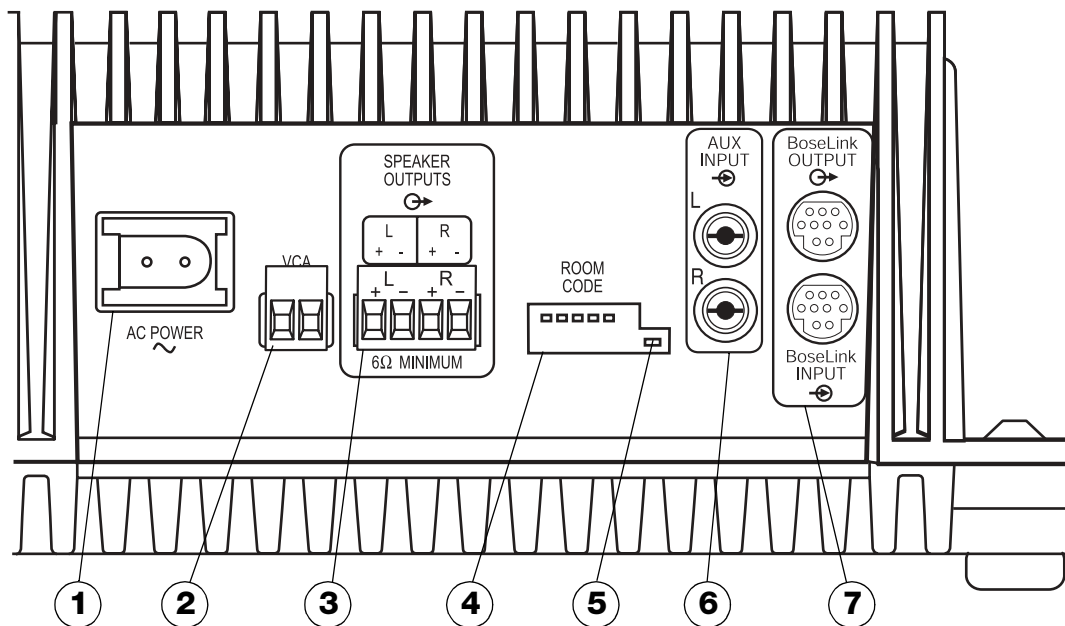
Remarque : L'amplificateur stéréo Lifestyle® est conçu pour être utilisé UNIQUEMENT avec des enceintes Bose non-amplifiées et résistantes aux conditions climatiques ou des enceintes accessoires Bose non-amplifiées.

Caractéristiques du panneau de connexion

Le panneau de connexion comporte les connecteurs d'entrée et de sortie, les commutateurs servant à déterminer le code interne et la LED d'état de l'amplificateur.

Figure 2

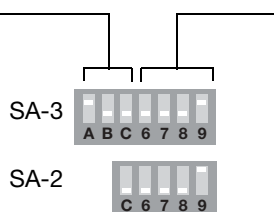
Panneau de connexion de l'amplificateur Lifestyle®



- 1 AC POWER**
Connecteur du cordon d'alimentation secteur. Cet appareil ne possède pas d'interrupteur marche / arrêt. Il est alimenté lorsque le cordon d'alimentation est connecté à l'appareil et branché sur une prise secteur.
- 2 VCA**
Connecteurs servant à contrôler le volume local. Ils vous permettent de contrôler le volume du son dans une pièce à l'aide d'une télécommande murale. Contactez votre revendeur Bose® ou le service client de Bose pour plus d'informations sur l'installation de cette fonction. Reportez-vous à la liste d'adresses qui figure sur l'avant-dernière page de cette notice.
- 3 SPEAKER OUTPUTS**
Sorties des enceintes droite et gauche. Une impédance minimum de 6 ohms est requise. Pour déterminer la taille appropriée des câbles d'enceintes, reportez-vous à la section « Recommandations relatives aux câbles », page 29.

- ④ **Commutateurs ROOM CODE**
Commutateurs miniatures permettant de définir le code de salle et les fonctionnalités avancées de l'amplificateur.

Pour les commutateurs A, B et C, reportez-vous à la section « Configuration des fonctionnalités avancées », page 26.



Pour les commutateurs 6 à 9, reportez-vous à la section « Configuration du code de salle de l'amplificateur », page 25.

- ⑤ **LED d'état de l'amplificateur**
La LED verte indique l'état de fonctionnement de l'amplificateur. Reportez-vous à la section « Mise sous tension du système », page 21.
- ⑥ **AUX INPUT (SA-3 uniquement)**
Canaux d'entrée gauche et droit servant à connecter un appareil audio local.
- ⑦ **Bose® link INPUT / OUTPUT**
Connecteurs DIN à neuf broches permettant la connexion de l'amplificateur à un réseau Bose®. Les signaux d'entrée sont transmis au connecteur de sortie pour permettre une connexion en chaîne.

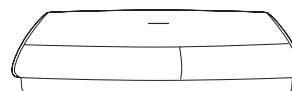
Identification du système

L'amplificateur stéréo Lifestyle® et la télécommande qui l'accompagne sont livrés prêts à être installés et utilisés dans une seconde pièce (Pièce B).

Cette section fournit des instructions concernant le positionnement et l'installation de votre amplificateur stéréo Lifestyle®. Vous trouverez ensuite une section décrivant comment configurer l'amplificateur en fonction de votre système home cinéma.

Les instructions diffèrent selon que vous possédez une interface media center, music center ou multipièce. L'étiquette du produit située au-dessous de l'appareil permet d'identifier le modèle que vous possédez.

Pour le media center AV-18, AV-38 ou AV-48, reportez-vous à la section « Installation avec le media center AV-18/38/48 », page 10.



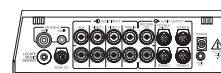
Media center modèle AV-18/38/48

Pour le media center AV-28, reportez-vous à la section « Installation avec le media center AV-28 », page 12.



Media center modèle AV-28

Pour l'interface multipièce, reportez-vous à la section « Installation avec l'interface multipièce », page 14.



Interface multipièce

Pour le music center modèle 20, reportez-vous à la section « Installation avec le music center modèle 20 », page 16.



Music center modèle 20

Pour le music center modèle 5, reportez-vous à la section « Installation avec le music center modèle 5 », page 18.



Music center modèle 5

Remarque : Si vous prévoyez d'utiliser cet amplificateur dans plusieurs autres pièces, vous devrez modifier le réglage de plusieurs commutateurs sur l'amplificateur et la télécommande. Reportez-vous à la section « Instructions de configuration pour la sonorisation des pièces supplémentaires », page 22.

Choix d'un emplacement pour l'amplificateur stéréo Lifestyle®

Il n'est pas nécessaire que l'amplificateur stéréo Lifestyle® soit situé à proximité de votre système Lifestyle® ou des enceintes accessoires. Tenez compte des recommandations suivantes lors du choix d'un emplacement pour votre amplificateur.

⚠ ATTENTION : *N'INSTALLEZ PAS l'amplificateur sur des surfaces peu résistantes ou dans lesquelles peuvent être intégrés des fils électriques ou des tuyaux de plomberie.*

⚠ ATTENTION : *L'amplificateur doit être utilisé à l'intérieur. Il n'a pas été conçu ni testé pour une utilisation en extérieur, dans des véhicules ou sur des bateaux.*

- Placez l'amplificateur à l'intérieur, à portée d'une prise secteur (2,5 m).
- Veillez à ce que l'amplificateur soit situé à portée du câble d'entrée audio (6 m) fourni.
- Placez l'amplificateur dans une zone où la température ambiante maximum ne dépasse pas 45 °C).
- Pour garantir des performances optimales, placez l'amplificateur dans une zone bien ventilée.
- NE PLACEZ PAS l'amplificateur dans une zone totalement fermée. Lorsque la ventilation est insuffisante, l'amplificateur se protège automatiquement en réduisant son volume afin de limiter sa température.
- N'INSTALLEZ PAS l'amplificateur sur une surface sensible à la chaleur, telle que le dessus de meubles fragiles. Comme tout appareil électrique, il génère de la chaleur.
- N'UTILISEZ PAS l'amplificateur dans un lieu humide. Il est important d'empêcher que de l'humidité pénètre à l'intérieur.

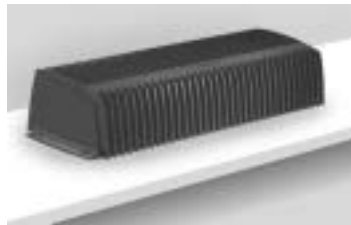
Fixation de l'amplificateur stéréo Lifestyle®

L'amplificateur stéréo Lifestyle® peut être placé sur une étagère ou fixé à un mur (Figure 3).

- Lorsque vous placez l'amplificateur sur une surface horizontale, par exemple sur le sol ou sur une étagère, les pieds en caoutchouc assurent sa stabilité et évitent les rayures.
- Retirez les pieds en caoutchouc **UNIQUEMENT** lorsque vous fixez l'amplificateur à un mur et utilisez les trous figurant sur le boîtier pour fixer l'amplificateur. Reportez-vous à la Figure 4 pour connaître les méthodes de fixation et le matériel recommandé.
- Lorsque vous fixez l'amplificateur verticalement ou horizontalement à un mur, orientez-le **TOUJOURS** comme illustré Figure 3.

Figure 3

Options d'installation



Positionnement sur une étagère



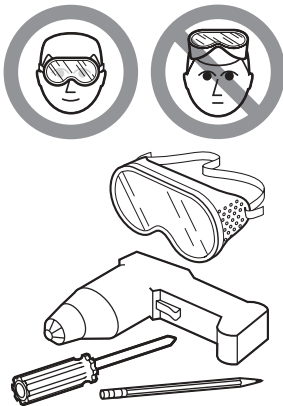
Fixation verticale à un mur



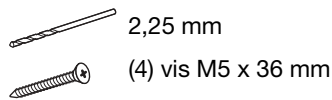
Fixation horizontale à un mur

Figure 4

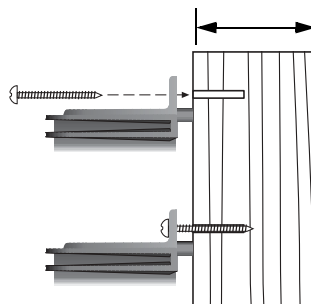
Matériel et méthodes de fixation



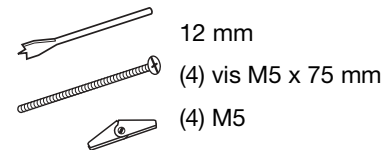
Cloison en bois



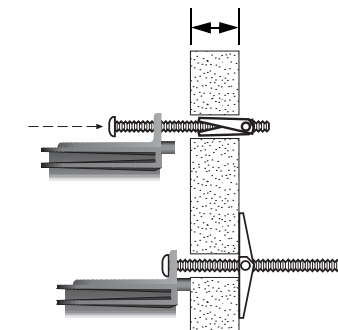
1,9 cm minimum



Cloison en plâtre

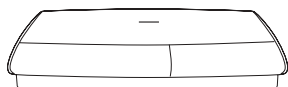


0,95 cm minimum



Pour repérer l'emplacement des trous de fixation, retirez les pieds en caoutchouc, positionnez l'amplificateur de façon appropriée et faites des marques sur le mur à travers les trous du boîtier.

Installation avec le media center AV-18/38/48



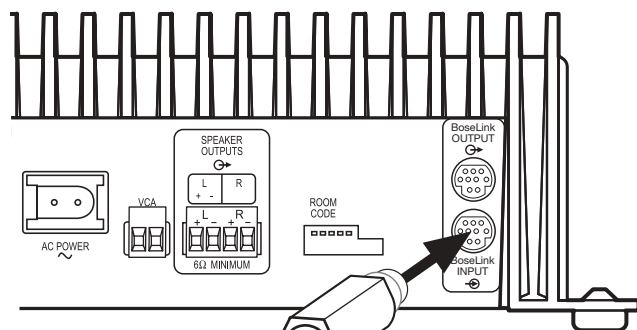
⚠ ATTENTION : Avant de réaliser les connexions, mettez le système Lifestyle® hors tension et débranchez le media center de la prise secteur. NE BRANCHEZ PAS l'amplificateur à une prise secteur avant d'avoir réalisé toutes les autres connexions.

1. Insérez l'une des extrémités du câble Bose® Link A dans le connecteur de sortie Bose® Link situé sur le panneau arrière du media center (Figure 5).
2. Insérez l'autre extrémité du câble Bose® Link A dans le connecteur d'entrée (INPUT) Bose® Link situé sur le panneau arrière de l'amplificateur stéréo Lifestyle®.

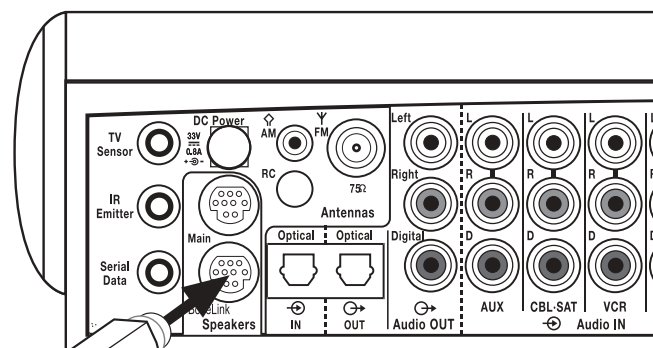
Figure 5

Connexion de l'amplificateur stéréo Lifestyle® au media center AV-18/38/48

Panneau arrière de l'amplificateur stéréo Lifestyle®



Panneau arrière du media center AV-18/38/48



Câble Bose® Link A de 6 m

Français

Configuration des télécommandes RC18S et RC38S

La télécommande livrée avec l'amplificateur est déjà configurée pour une seconde pièce (pièce B). Pour vérifier que cette télécommande fonctionne bien avec votre système home cinéma, procédez comme suit afin de vérifier la configuration du code interne.

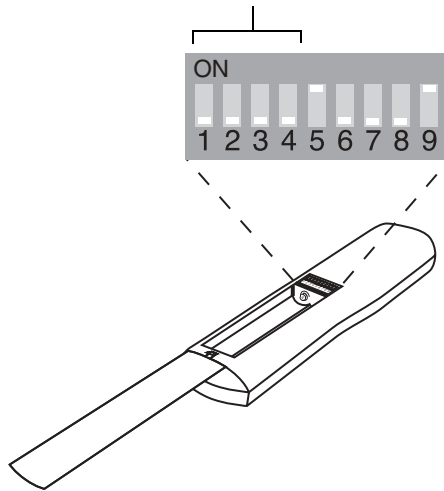
1. Ouvrez le compartiment à piles de la télécommande et repérez les commutateurs miniatures (Figure 6).
2. Vérifiez que la configuration du code interne (commutateurs 1, 2, 3 et 4) correspond à la configuration du code interne de la télécommande de votre pièce principale.

🎵 **Remarque :** Si cette télécommande est destinée à une utilisation dans plusieurs autres pièces, les réglages des autres commutateurs devront être modifiés. Reportez-vous à la section « Instructions de configuration pour la sonorisation des pièces supplémentaires », page 22.

Figure 6

Commutateurs miniatures de la télécommande

Les commutateurs du code interne doivent correspondre à ceux de la télécommande de la pièce principale.



Vérification du paramètre de protocole d'expansion de votre système

Pour que l'amplificateur stéréo Lifestyle® fonctionne correctement avec votre système home cinéma, le paramètre du protocole d'expansion doit être défini sur **Normal**. Pour vérifier ce réglage, procédez comme suit :

1. Mettez votre système home cinéma Lifestyle® et votre téléviseur sous tension.
2. Appuyez sur le bouton **System** sur la télécommande de votre pièce principale.
3. Sélectionnez l'onglet **Audio** et naviguez jusqu'au menu **Expansion Protocol**.
4. Vérifiez que le paramètre **Normal** est sélectionné. Si tel n'est pas le cas, sélectionnez-le.
5. Appuyez sur la touche **Exit** de la télécommande.

Installation avec le media center AV-28

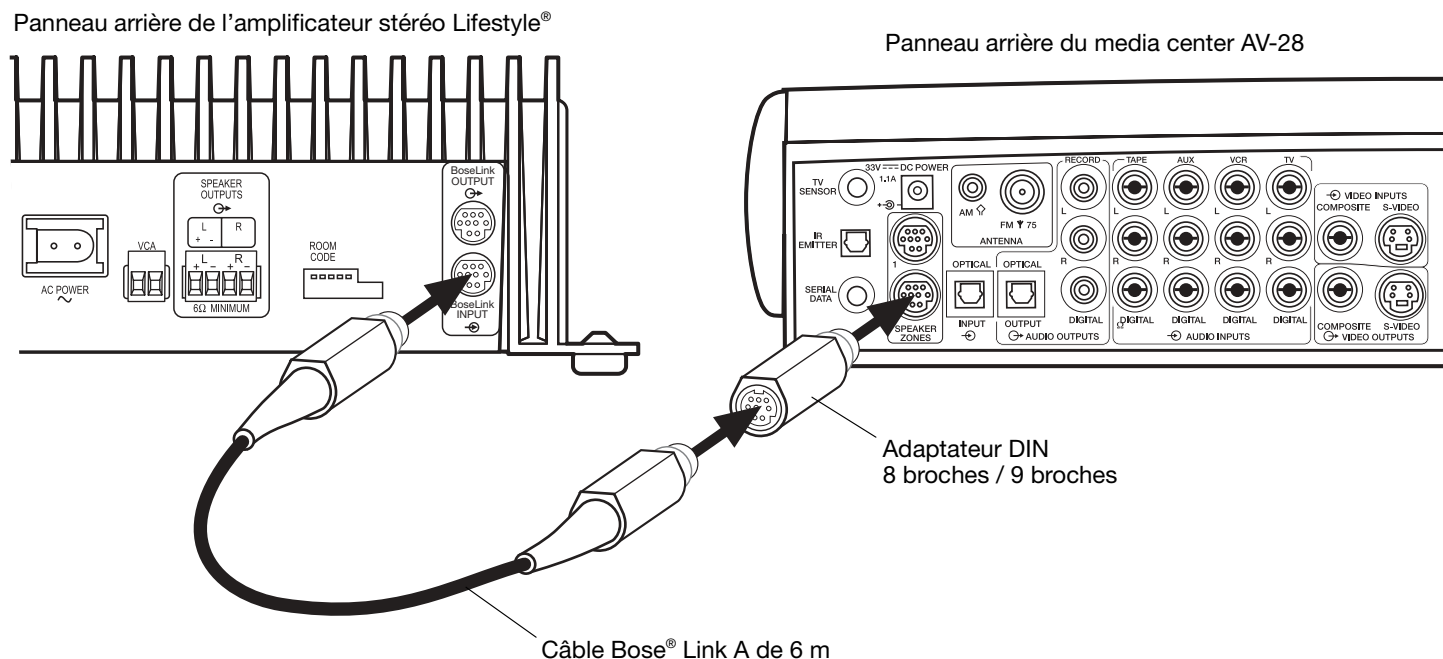


⚠ ATTENTION : Avant de réaliser les connexions, mettez le système Lifestyle® hors tension et débranchez le media center de la prise secteur. NE BRANCHEZ PAS l'amplificateur à une prise secteur avant d'avoir réalisé toutes les autres connexions.

1. Insérez l'adaptateur 8 / 9 broches dans le connecteur de sortie SPEAKER ZONES 2 situé sur le panneau arrière du media center (Figure 7).
2. Insérez l'une des extrémités du câble Bose® Link A dans l'adaptateur 8 / 9 broches.
3. Insérez l'autre extrémité du câble Bose® Link A dans le connecteur d'entrée (INPUT) Bose® Link situé sur le panneau arrière de l'amplificateur stéréo Lifestyle®.

Figure 7

Connexion de l'amplificateur stéréo Lifestyle® au media center AV-28



Configuration de la télécommande RC28S

La télécommande livrée avec l'amplificateur est déjà configurée pour la zone 2. Pour vérifier que cette télécommande fonctionne bien avec votre système home cinéma, procédez comme suit afin de vérifier la configuration du code interne.

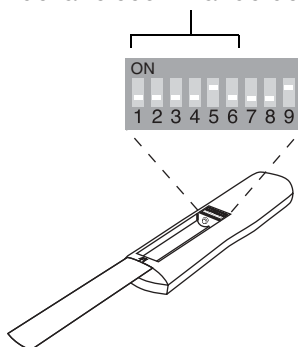
1. Ouvrez le compartiment à piles de la télécommande et repérez les commutateurs miniatures (Figure 8).
2. Vérifiez que la configuration du code interne (commutateurs 1, 2, 3 et 4) correspond à la configuration du code interne de la télécommande de votre pièce principale.
3. Vérifiez que les commutateurs 5, 7 et 8 sont relevés et que les commutateurs 6 et 9 sont abaissés.

🎵 **Remarque :** Reportez-vous à la notice d'utilisation de votre système Lifestyle® pour plus d'informations sur le fonctionnement de votre système dans plusieurs pièces.

Figure 8

Commutateurs miniatures de la télécommande

Les commutateurs du code interne doivent correspondre à ceux de la télécommande de la pièce principale.



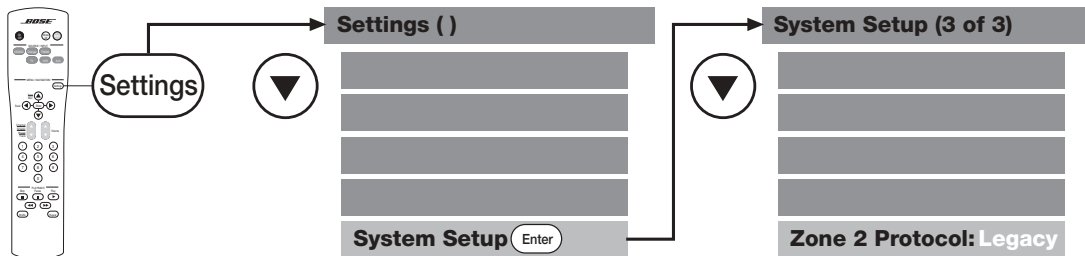
Configuration du protocole de zone 2 dans votre système home cinéma

Pour que l'amplificateur stéréo Lifestyle® fonctionne correctement avec un système Lifestyle® media center, il est nécessaire de définir le **protocole de zone 2** sur le mode **Legacy** (Figure 9).

1. Mettez votre système home cinéma Lifestyle® et votre téléviseur sous tension.
2. Appuyez sur le bouton **Settings** sur la télécommande de votre pièce principale.
3. Parcourez le menu jusqu'à **System Setup** et appuyez sur le bouton **Enter**.
4. Parcourez le menu jusqu'au dernier élément, **Zone 2 Protocol**.
5. Appuyez sur la touche de direction droite de la télécommande afin de modifier le paramètre de protocole de **Normal** à **Legacy**.
6. Mettez le système hors tension, puis redémarrez-le afin de réinitialiser le **protocole de zone 2** sur **Legacy**.

Figure 9

Configuration du protocole de zone 2



Installation avec l'interface multi pièce

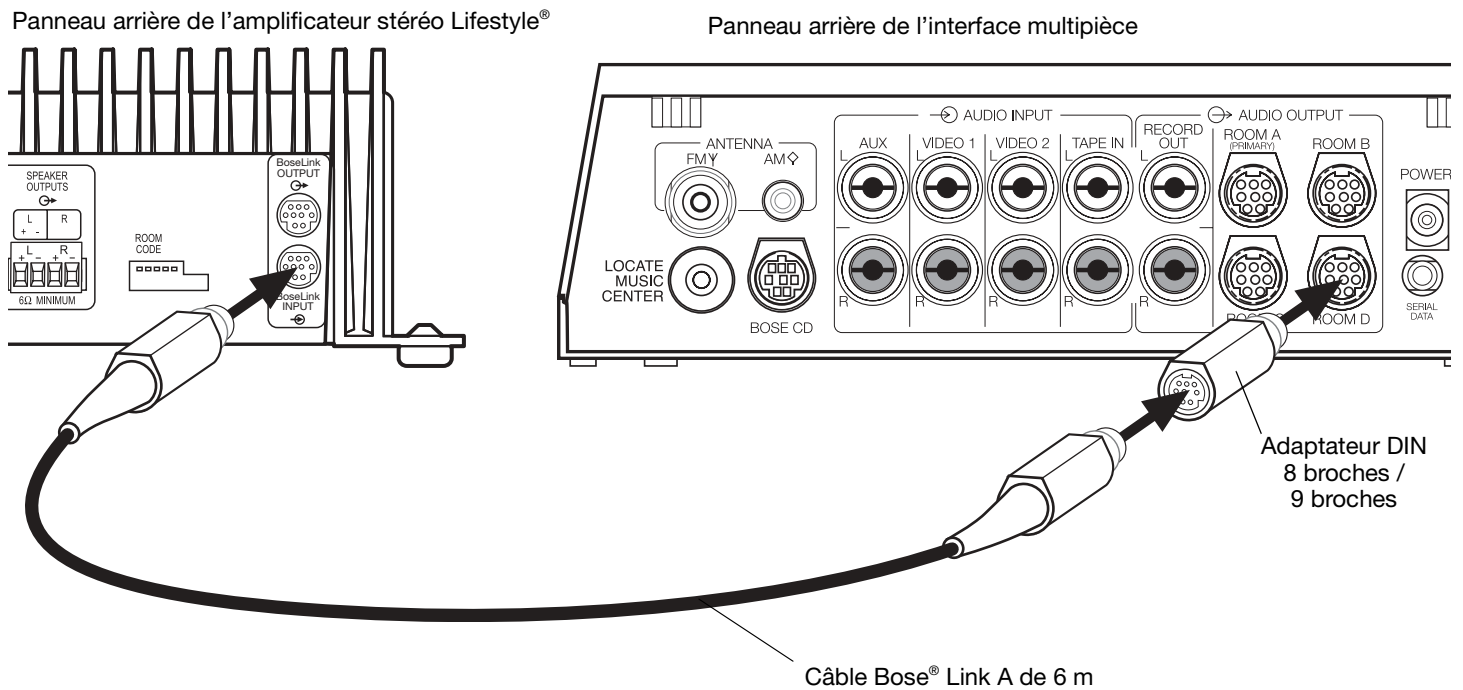
⚠ ATTENTION : Avant de réaliser les connexions, mettez le système Lifestyle® hors tension et débranchez le music center de la prise secteur. NE BRANCHEZ PAS l'amplificateur à une prise secteur avant d'avoir réalisé toutes les autres connexions.



1. Insérez l'adaptateur 8 / 9 broches dans l'un des connecteurs de sortie ROOM inutilisés (B, C ou D) situés sur le panneau arrière de l'interface multi pièce (Figure 10).
2. Insérez l'une des extrémités du câble Bose® Link A dans l'adaptateur 8 / 9 broches.
3. Insérez l'autre extrémité du câble Bose® Link A dans le connecteur d'entrée (INPUT) Bose® Link situé sur le panneau arrière de l'amplificateur stéréo Lifestyle®.

Figure 10

Connexion de l'amplificateur stéréo Lifestyle® à une interface multi pièce



Configuration du music center Personal®



Les systèmes disposant d'une interface multi pièce sont contrôlés par le music center Personal® qui vous permet de contrôler les enceintes de plusieurs pièces sans nécessiter le réglage de commutateurs internes. Cependant, si vous vous procurez un second music center Personal®, vous devez suivre cette procédure pour configurer le music center Personal® pour la première fois.

🎵 **Remarque :** Reportez-vous à la notice d'utilisation de votre système Lifestyle® pour plus d'informations sur le fonctionnement de votre système dans plusieurs pièces.

Sélection d'autres pièces pour le music center Personal®

Le music center Personal® vous permet de contrôler jusqu'à quatre jeux d'enceintes amplifiés Bose® placés dans des pièces différentes. Ces pièces sont désignées par les lettres A, B, C et D, la pièce A étant la pièce principale (celle utilisée dans un système pour une seule pièce). Si les enceintes de plusieurs pièces sont connectées à votre système, le music center Personal® affiche les boutons ROOM et HOUSE, ainsi que les lettres identifiant les différentes pièces (A, B, C et/ou D). La Figure 11 illustre un système à deux pièces.

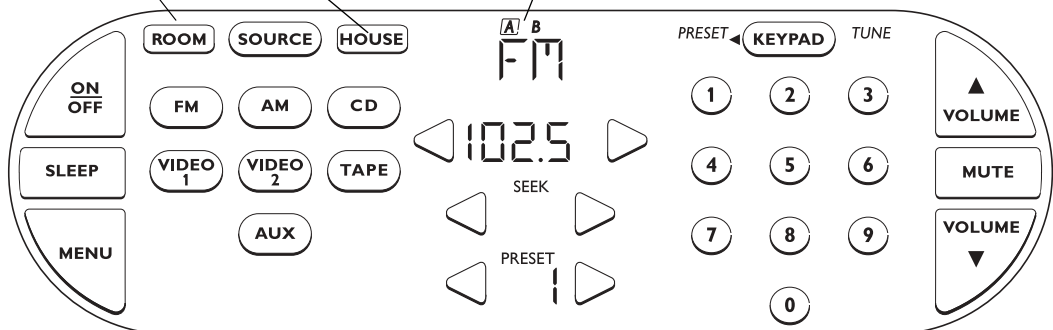
Figure 11

Affichage pour un système à deux pièces

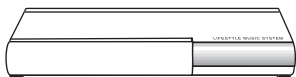
Appuyez sur le bouton ROOM afin de contrôler le son d'une seule pièce ou de plusieurs pièces partageant une même source.

Appuyez sur le bouton HOUSE afin de contrôler le son de toutes les pièces en même temps.

Les lettres identifiant les différentes pièces vous indiquent les pièces sélectionnées à l'aide du bouton ROOM ou HOUSE.



Installation avec le music center modèle 20



⚠ ATTENTION : Avant de réaliser les connexions, mettez le système Lifestyle® hors tension et débranchez le music center de la prise secteur. NE BRANCHEZ PAS l'amplificateur à une prise secteur avant d'avoir réalisé toutes les autres connexions.

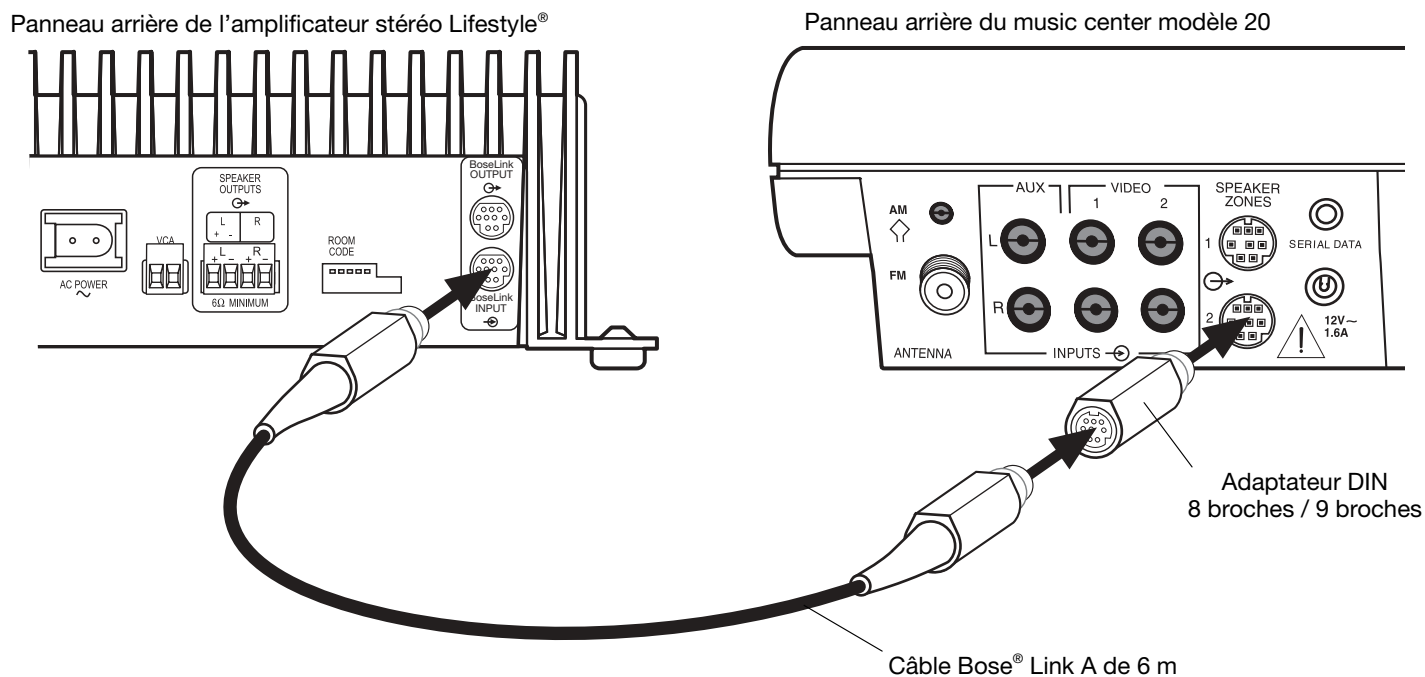
1. Insérez l'adaptateur DIN 8 / 9 broches dans le connecteur de sortie SPEAKER ZONES 2 situé sur le panneau arrière du music center (Figure 12).
2. Insérez l'une des extrémités du câble Bose® Link A dans l'adaptateur 8 / 9 broches.
3. Insérez l'autre extrémité du câble Bose® Link A dans le connecteur d'entrée (INPUT) Bose® Link situé sur le panneau arrière de l'amplificateur stéréo Lifestyle®.
4. Réglez les commutateurs ROOM CODE de l'amplificateur stéréo Lifestyle® sur Pièce E (commutateur 7 relevé, commutateurs 6, 8 et 9 abaissés).



Reportez-vous à la section « Configuration du code de salle de l'amplificateur », page 25.

Figure 12

Connexion de l'amplificateur stéréo Lifestyle® au music center modèle 20



Configuration de la télécommande RC-20 pour la zone 2

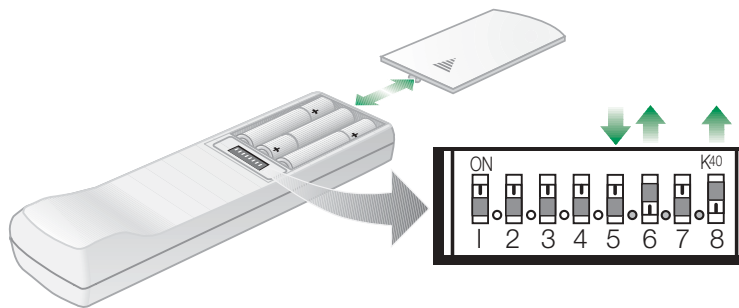
Si votre système utilise un music center modèle 20, vous devez configurer une seconde télécommande RC-20 afin de contrôler les signaux de sortie de la ZONE 2.

1. Ouvrez le compartiment à piles de la télécommande et repérez les commutateurs miniatures (Figure 13).
2. Vérifiez que la configuration du code interne (commutateurs 1, 2, 3 et 4) correspond à celle de la télécommande principale.
3. Abaissez le commutateur 5 (arrêt) et relevez les commutateurs 6 et 8 (marche).

🎵 **Remarque :** Reportez-vous à la notice d'utilisation de votre système Lifestyle® pour plus d'informations sur le fonctionnement de votre système dans plusieurs pièces.

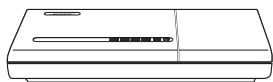
Figure 13

Configuration des commutateurs de la télécommande RC-20 pour la zone 2



Installation avec le music center modèle 5

Cette installation nécessite l'utilisation d'un câble adaptateur d'entrée audio de 1 m. Contactez votre revendeur Bose ou le service client de Bose®. Reportez-vous à la liste d'adresses et de numéros de téléphone incluse dans le carton d'emballage.



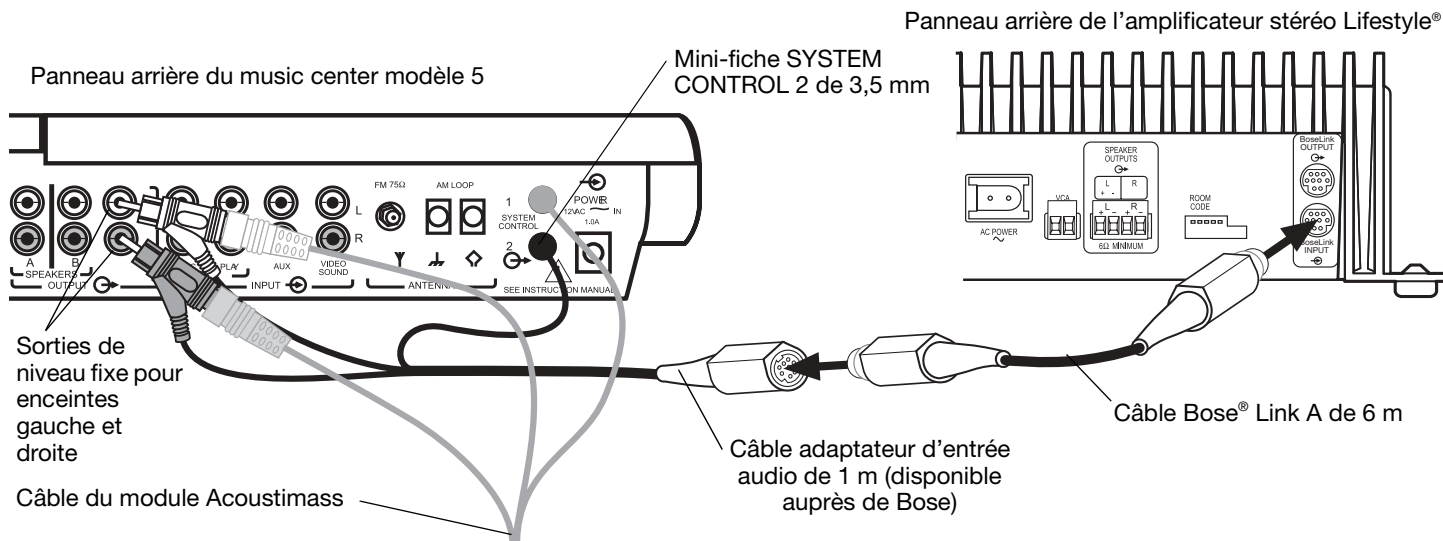
⚠ ATTENTION : Avant de réaliser les connexions, mettez le système Lifestyle® hors tension et débranchez le music center de la prise secteur. **NE BRANCHEZ PAS** l'amplificateur à une prise secteur avant d'avoir réalisé toutes les autres connexions.

⚠ ATTENTION : NE CONNECTEZ PAS le câble d'entrée audio de l'amplificateur stéréo Lifestyle® aux sorties SPEAKERS A ou SPEAKERS B. L'amplificateur est conçu pour fonctionner correctement avec le signal de sortie de niveau fixe délivré par les connecteurs de sortie FIXED OUTPUT.

1. Déconnectez le câble du module Acoustimass® des sorties FIXED L et R situées sur le panneau arrière du music center (Figure 14).
2. Insérez le connecteur de raccord RCA rouge du câble adaptateur d'entrée audio dans la prise FIXED OUTPUT R (droite). Insérez le connecteur de raccord RCA blanc dans la prise FIXED OUTPUT L (gauche). Insérez la mini-fiche de 3,5 mm dans le connecteur SYSTEM CONTROL 2 situé sur le panneau arrière du music center.
3. Insérez la fiche RCA rouge du module Acoustimass dans le connecteur de raccord rouge et la fiche RCA blanche dans le connecteur de raccord blanc.
4. Connectez l'une des extrémités du câble audio 6 m (fourni) à la fiche libre du câble adaptateur d'entrée audio. Connectez l'autre extrémité du câble audio au connecteur d'entrée (INPUT) Bose® Link situé sur le panneau arrière de l'amplificateur stéréo Lifestyle®.

Figure 14

Connexion de l'amplificateur stéréo Lifestyle® au music center modèle 5



Configuration de la télécommande RC-5

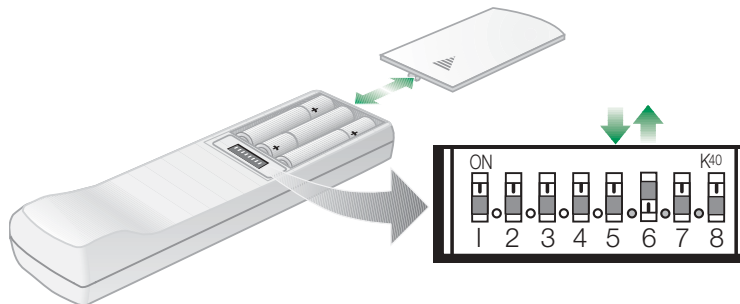
Si votre système utilise un music center modèle 5, vous devez configurer une seconde télécommande RC-5 afin de contrôler votre amplificateur stéréo Lifestyle®.

1. Ouvrez le compartiment à piles de la télécommande et repérez les commutateurs miniatures (Figure 15).
2. Vérifiez que la configuration du code interne (commutateurs 1, 2, 3 et 4) correspond à celle de la télécommande principale.
3. Abaissez le commutateur 5 (arrêt) et relevez le commutateur 6 (marche).

🎵 **Remarque :** Reportez-vous à la notice d'utilisation de votre système Lifestyle® pour plus d'informations sur le fonctionnement de votre système dans plusieurs pièces.

Figure 15

Configuration des commutateurs de la télécommande RC-5



Connexion d'enceintes à l'amplificateur stéréo Lifestyle®

⚠ ATTENTION : NE CONNECTEZ AUCUNE enceinte amplifiée de quelque marque ou modèle que ce soit aux sorties pour enceintes de l'amplificateur stéréo Lifestyle®. Vous risqueriez d'endommager l'appareil.

⚠ ATTENTION : Vérifiez que l'amplificateur est déconnecté de la prise secteur avant de réaliser la connexion des enceintes.

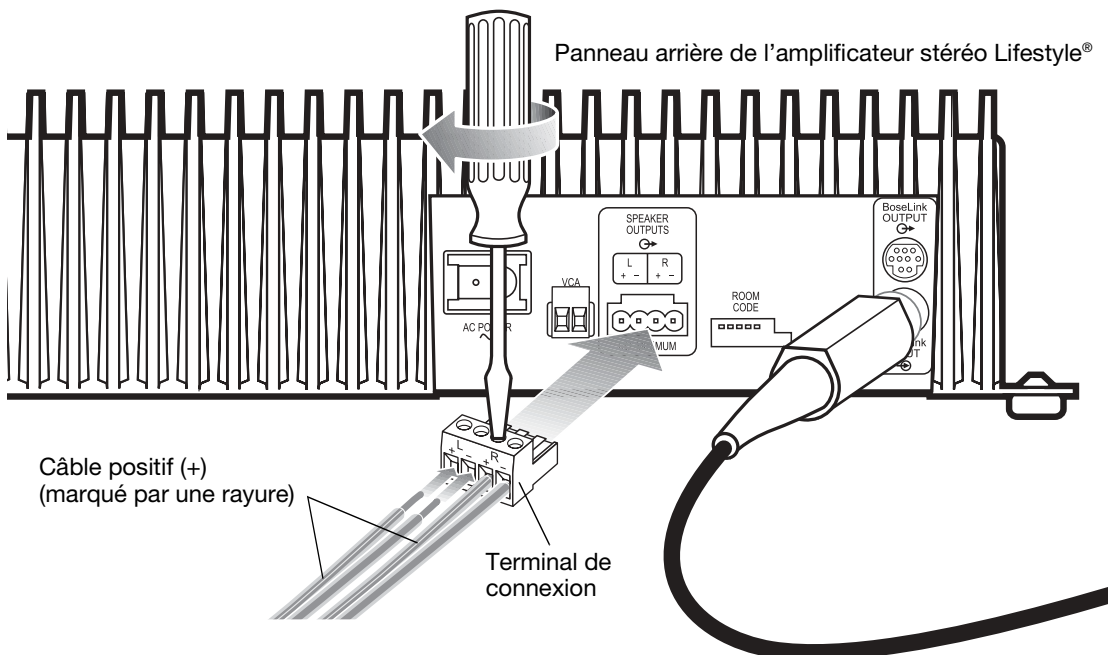
⚠ ATTENTION : L'amplificateur stéréo Lifestyle® requiert une impédance minimal de 6 ohms.

Le câble d'enceinte se compose de deux fils isolés. La gaine de l'un des fils est généralement marquée (rayée, annelée ou striée) afin d'indiquer qu'il doit être connecté à la borne positive (+). Le fil uni doit toujours être connecté à la borne négative (-). Pour connaître les longueurs et les tailles de fils recommandées, reportez-vous à la section « Recommandations relatives aux câbles », page 29.

1. Retirez le terminal de connexion du connecteur SPEAKER OUTPUTS situé sur le panneau arrière de l'amplificateur.
2. Connectez le câble de l'enceinte gauche aux bornes L positive (+) et négative (-) du terminal de connexion à quatre broches.
3. Connectez le câble de l'enceinte droite aux bornes R positive (+) et négative (-) du terminal de connexion à quatre broches.
4. Insérez le terminal de connexion dans le connecteur SPEAKER OUTPUTS.

Figure 16

Connexion des câbles des enceintes aux sorties SPEAKER OUTPUTS



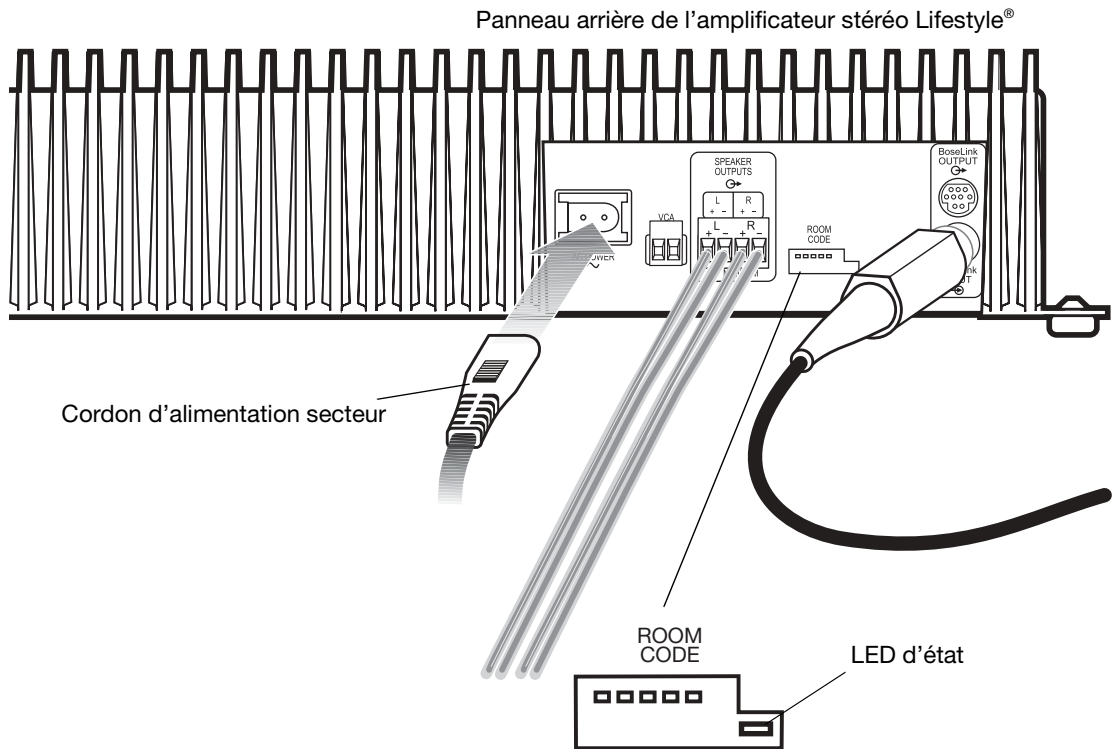
Mise sous tension du système

⚠ ATTENTION : NE BRANCHEZ PAS le câble d'alimentation à une prise secteur avant d'avoir réalisé toutes les connexions.

1. Insérez le petit connecteur situé à l'une des extrémités du câble d'alimentation fourni avec votre amplificateur stéréo Lifestyle® dans la prise AC POWER située sur le panneau arrière de l'amplificateur (Figure 17).
2. Connectez les câbles d'alimentation de l'amplificateur stéréo Lifestyle® et du système Lifestyle® à une prise secteur. La LED d'état indique l'état de fonctionnement de l'amplificateur.
3. Sélectionnez une source musical à l'aide de votre music center Personal® ou de votre nouvelle télécommande et réglez le volume comme vous le souhaitez.

Figure 17

Branchement du cordon d'alimentation



État de la LED	Signification
Clignote lentement et constamment (allumée 1 seconde, éteinte 3 secondes)	L'amplificateur est hors tension (veille).
Allumée sans interruption	L'amplificateur est sous tension et prêt à fonctionner.
Clignote rapidement	L'amplificateur est sous tension et reçoit des données de commande du media center via la prise Bose® Link.
Clignote lentement et constamment (allumée 1 seconde, éteinte 5 secondes)	L'amplificateur est configuré comme amplificateur secondaire et est hors tension.
S'allume mais s'éteint rapidement	L'amplificateur est configuré comme amplificateur secondaire et est sous tension.

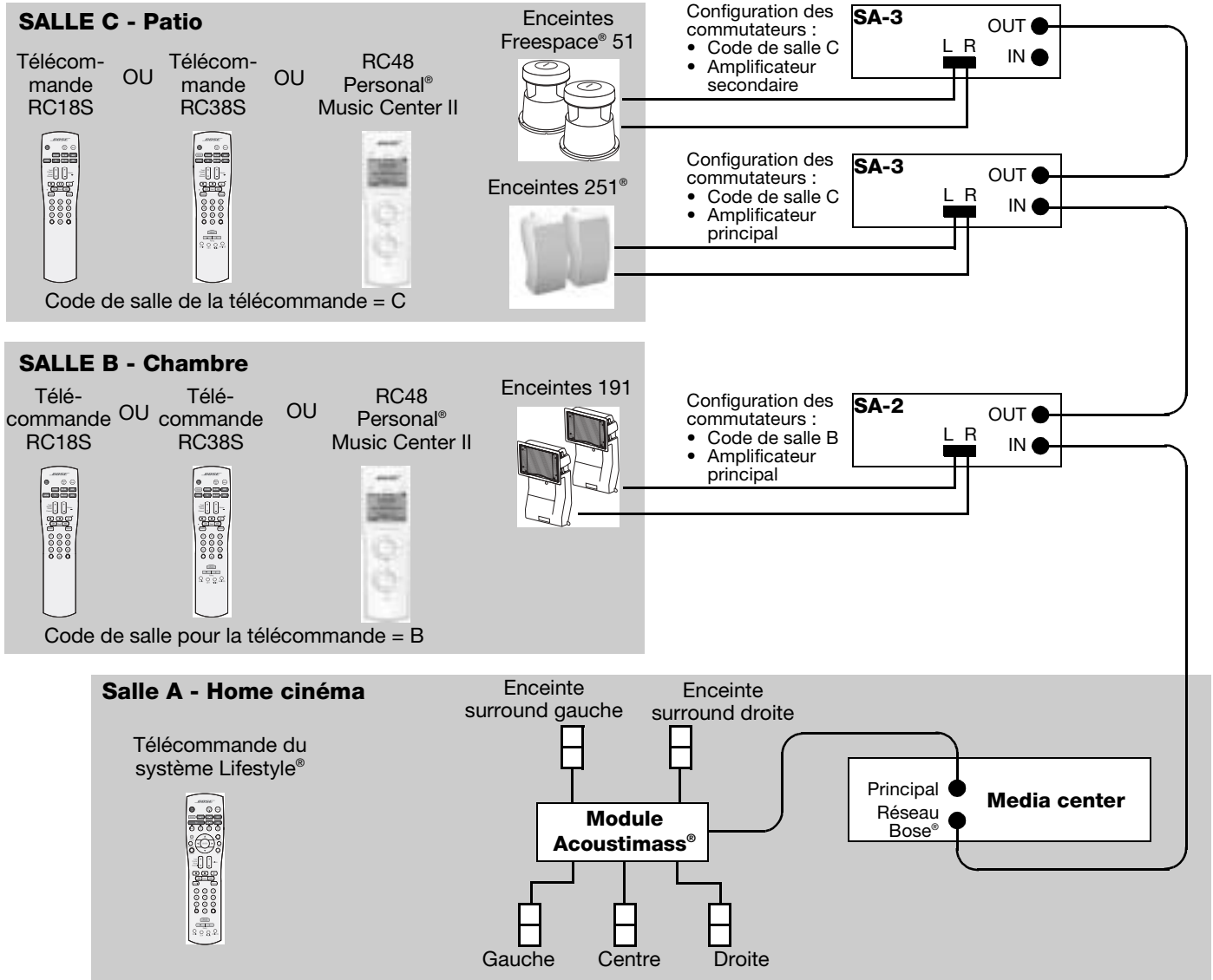
Instructions de configuration pour la sonorisation des pièces supplémentaires

Si vous possédez un système home cinéma Lifestyle® 18 série II, 28 série II, 38 ou 48, il vous est possible de bénéficier d'un son stéréo dans 14 autres pièces à condition de disposer des amplificateurs stéréo Lifestyle®, des systèmes d'enceintes compatibles et des télécommandes nécessaires.

- Les télécommandes destinées aux autres pièces doivent être configurées sur le même code interne que la télécommande de la pièce principale, mais chacune doit être configurée sur un code de salle différent. Reportez-vous à la section « Configuration des télécommandes des autres pièces », page 24.
- L'amplificateur Lifestyle® et sa télécommande doivent être définis sur le même code de salle. Reportez-vous à la section « Configuration du code de salle de l'amplificateur », page 25.
- Lorsque vous utilisez plusieurs amplificateurs pour alimenter plus de deux enceintes dans une pièce (Figure 18, pièce C), tous les amplificateurs doivent être configurés sur le même code de salle. De plus, un amplificateur doit être configuré sur le mode amplificateur principal et tous les autres doivent être configurés sur le mode amplificateur secondaire. Reportez-vous à la section « Amplificateur principal et secondaires », page 26.

Figure 18

Exemple d'installation
d'amplificateurs stéréo
Lifestyle®



Configuration des télécommandes des autres pièces

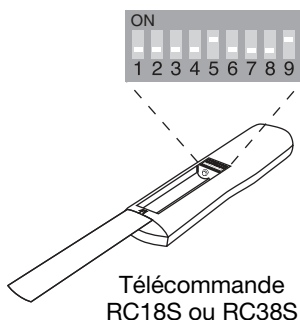
Pour configurer la télécommande RC18S ou RC38S :

- Ouvrez le compartiment à piles de la télécommande et repérez les commutateurs miniatures (Figure 19).
- Vérifiez que la configuration du code interne (commutateurs 1, 2, 3 et 4) correspond à la configuration du code interne de la télécommande de votre pièce principale.
- La télécommande livrée avec l'amplificateur est configurée pour la pièce B. Pour l'utiliser dans une autre pièce, réglez les commutateurs 6, 7, 8 et 9 sur le même code de salle que l'amplificateur stéréo Lifestyle®.

🎵 **Remarque :** Reportez-vous à la notice d'utilisation de votre système Lifestyle® pour plus d'informations sur le fonctionnement de votre système dans plusieurs pièces.

Figure 19

Configuration des commutateurs miniatures pour les télécommandes RC18S et RC38S



Salle	6	7	8	9
B	Abaissé	Abaissé	Abaissé	Relevé
C	Abaissé	Abaissé	Relevé	Abaissé
D	Abaissé	Abaissé	Relevé	Relevé
E	Abaissé	Relevé	Abaissé	Abaissé
F	Abaissé	Relevé	Abaissé	Relevé
G	Abaissé	Relevé	Relevé	Abaissé
H	Abaissé	Relevé	Relevé	Relevé
I	Relevé	Abaissé	Abaissé	Abaissé
J	Relevé	Abaissé	Abaissé	Relevé
K	Relevé	Abaissé	Relevé	Abaissé
L	Relevé	Abaissé	Relevé	Relevé
M	Relevé	Relevé	Abaissé	Abaissé
N	Relevé	Relevé	Abaissé	Relevé
O	Relevé	Relevé	Relevé	Abaissé

Pour configurer le music center RC48 Personal® II :

Reportez-vous à la notice d'utilisation fournie avec le music center RC48 Personal® II pour connaître les instructions relatives à la configuration de cette télécommande pour d'autres pièces.

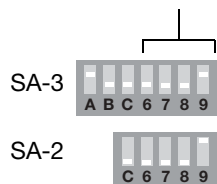
Configuration du code de salle de l'amplificateur

Le code de salle de l'amplificateur doit correspondre au code de salle de la télécommande utilisée dans la pièce dans laquelle sont installées les enceintes.

Figure 20

Configuration du code de salle de l'amplificateur

Commutateurs du code de salle



Salle	6	7	8	9
B	Abaissé	Abaissé	Abaissé	Relevé
C	Abaissé	Abaissé	Relevé	Abaissé
D	Abaissé	Abaissé	Relevé	Relevé
E	Abaissé	Relevé	Abaissé	Abaissé
F	Abaissé	Relevé	Abaissé	Relevé
G	Abaissé	Relevé	Relevé	Abaissé
H	Abaissé	Relevé	Relevé	Relevé
I	Relevé	Abaissé	Abaissé	Abaissé
J	Relevé	Abaissé	Abaissé	Relevé
K	Relevé	Abaissé	Relevé	Abaissé
L	Relevé	Abaissé	Relevé	Relevé
M	Relevé	Relevé	Abaissé	Abaissé
N	Relevé	Relevé	Abaissé	Relevé
O	Relevé	Relevé	Relevé	Abaissé

Commutateurs du mode amplificateur

Les fonctionnalités avancées de l'amplificateur stéréo Lifestyle® sont configurées à l'aide des commutateurs miniatures A, B et C (Figure 21). L'amplificateur SA-3 est doté de ces trois commutateurs, alors que l'amplificateur SA-2 comporte uniquement le commutateur C.

Figure 21

Commutateurs miniatures des amplificateurs SA-2 et SA-3

	Commutateur	Position	Fonction
SA-3	A	Abaissé	Sortie mono
		Relevé*	Sortie stéréo
SA-2	B	Abaissé*	Détection automatique d'une source locale - arrêt
		Relevé	Détection automatique d'une source locale - marche
	C	Abaissé*	Amplificateur principal
		Relevé	Amplificateur secondaire

*Paramètre d'origine

Sortie stéréo ou mono (SA-3 uniquement)

Le signal de sortie de l'amplificateur SA-3 peut-être défini sur stéréo (commutateur A relevé - paramètre d'origine) ou sur mono (commutateur A abaissé). Le mode de sortie mono délivre un signal audio aux canaux gauche et droit par l'intermédiaire des sorties gauche et droite. Ce mode est utile lorsqu'une sortie stéréo n'est pas réalisable, par exemple lorsque des enceintes extérieures sont utilisées dans une vaste zone d'écoute.

Détection automatique d'une source locale (SA-3 uniquement)

Lorsqu'une source est connectée aux connecteurs AUX INPUT, vous pouvez configurer l'amplificateur afin qu'il détecte la mise en marche de cette source et qu'il passe automatiquement du mode veille au mode marche.

Lors de la livraison de l'amplificateur, cette fonctionnalité est désactivée. Pour activer la détection automatique d'une source locale, relevez le commutateur B.

Amplificateur principal et secondaires

Si vous souhaitez couvrir une vaste zone d'écoute, telle qu'un patio extérieur, nécessitant plusieurs jeux d'enceintes, vous pouvez installer des amplificateurs supplémentaires. Reportez-vous à la section « Instructions de configuration pour la sonorisation des pièces supplémentaires », page 22 pour connaître la configuration nécessaire pour la pièce C.

- Laissez le commutateur C abaissé (paramètre d'origine - mode amplificateur principal) sur l'un des amplificateurs et relevez-le (mode amplificateur secondaire) sur tous les autres amplificateurs.
- Définissez le code de salle de tous les amplificateurs sur le même code de salle que la télécommande.
- Vous pouvez désormais mettre tous les amplificateurs sous ou hors tension, modifier leur volume ou couper leur son à l'aide d'une seule télécommande.

Nettoyage de l'amplificateur

⚠ ATTENTION : Débranchez le cordon d'alimentation de la prise secteur avant de commencer le nettoyage.

L'amplificateur, qui est conçu pour une utilisation à l'intérieur uniquement, peut devenir poussiéreux avec le temps. Pour le nettoyer, utilisez uniquement un chiffon doux et sec pour retirer la poussière présente sur les parties extérieures du boîtier. Vous pouvez utiliser un aspirateur équipé d'une brosse pour nettoyer les zones difficiles à atteindre. N'UTILISEZ PAS de solvants, de produits chimiques, ni de liquides de nettoyage contenant de l'alcool, de l'ammoniac ou des substances abrasives.

Protection des câbles extérieurs

Même si certaines enceintes Bose® sont conçues et testées pour résister aux conditions climatiques extérieures, les extrémités dénudées des câbles d'enceintes sont sensibles aux conditions extérieures, en particulier en cas d'exposition à de l'eau salée.

Vous pouvez utiliser un calfeutrage en silicone, tel qu'un adhésif résistant aux variations de température (RTV), pour protéger les connexions des câbles d'enceintes. Vous trouverez ce type d'adhésif dans les quincailleries. Si vous utilisez un calfeutrage en silicone, appliquez-le uniquement une fois les câbles connectés et les molettes vissées. Contrôlez le calfeutrage tous les ans et reprenez-le si nécessaire.

Dépannage

Si vous rencontrez un problème concernant le fonctionnement du système Lifestyle® après avoir installé l'amplificateur stéréo Lifestyle®, suivez les instructions suivantes. Pour obtenir une aide supplémentaire, reportez-vous aux instructions de dépannage fournies dans la notice d'utilisation de votre système. Si le problème persiste, contactez votre revendeur Bose en vue d'une réparation ou contactez le service client de Bose. Reportez-vous à la liste d'adresses fournie pour obtenir les numéros de téléphone appropriés.

Problème	Mesure corrective
Aucune enceinte ne fonctionne.	<ul style="list-style-type: none"> • Vérifiez que le media center ou le music center Lifestyle® et l'amplificateur sont branchés et sous tension. • Vérifiez que les fiches sont correctement insérées et que les prises secteur sont en état de fonctionnement. • Vérifiez qu'une source de musique est sélectionnée (AM, FM, CD, AUX, etc.). Si la source CD ou AUX est sélectionnée, vérifiez que le lecteur de CD contient un CD ou que la source connectée à l'entrée AUX est sous tension. • Si vous utilisez un music center modèle 20, vérifiez que le câble d'entrée audio est inséré dans la prise SPEAKER ZONES 2. • Si vous utilisez un music center modèle 5 home cinéma (systèmes Lifestyle® 12 ou Lifestyle® 8), vérifiez que le câble d'entrée audio de l'amplificateur est bien inséré dans les connecteurs FIXED OUTPUT du music center. (Les câbles de sortie vers le module Acoustimass® doivent être connectés aux connecteurs de raccord du câble d'entrée audio.) • Débranchez le casque, le cas échéant. • Vérifiez que les réglages des commutateurs de la télécommande sont corrects.
Une seule enceinte fonctionne.	<ul style="list-style-type: none"> • Vérifiez les câbles branchés sur l'enceinte qui ne fonctionne pas. • Assurez-vous qu'ils sont en bon état et que leur branchement est correct à chaque extrémité. • Reportez-vous à la section « Connexion d'enceintes à l'amplificateur stéréo Lifestyle® », page 20.
Une des enceintes ne fonctionne toujours pas.	<ul style="list-style-type: none"> • Débranchez le câble reliant cette enceinte à l'amplificateur. Débranchez ensuite le câble connecté sur l'autre enceinte et raccordez-le à l'enceinte ne délivrant aucun son. Si elle ne fonctionne toujours pas, le problème provient de l'enceinte. Si au contraire elle fonctionne, continuez vos investigations afin d'identifier la source du problème. • Débranchez ce câble au niveau de l'amplificateur. Branchez-le sur l'autre sortie pour enceinte de l'amplificateur. Si l'enceinte fonctionne, le problème provient du câble original qui était raccordé à celle-ci. Au contraire, si l'anomalie persiste, la panne est imputable à ce canal de l'amplificateur.

Problème	Mesure corrective
Les canaux stéréo gauche et droit sont diffusés sur les mauvaises enceintes.	<ul style="list-style-type: none"> • Vérifiez les connexions des câbles d'enceintes pour vous assurer que le câble connecté à la prise SPEAKER OUTPUTS L de l'amplificateur est connecté à son autre extrémité à l'enceinte située sur la gauche de votre zone d'écoute. • Vérifiez les connexions des câbles d'enceintes pour vous assurer que le câble connecté à la prise SPEAKER OUTPUTS R de l'amplificateur est connecté à son autre extrémité à l'enceinte située sur la droite de votre zone d'écoute.
Les graves ou les aigus sont faibles.	<ul style="list-style-type: none"> • Vérifiez les branchements des enceintes. Vérifiez que les fils positifs (+) sont connectés aux bornes positives et que les fils négatifs (-) sont connectés aux bornes négatives. • Reportez-vous à la section « Connexion d'enceintes à l'amplificateur stéréo Lifestyle® », page 20.
Des interférences sont constatées.	<ul style="list-style-type: none"> • Vérifiez que les câbles d'enceintes sont correctement insérés dans les bornes situées à l'arrière des enceintes et sur le panneau arrière de l'amplificateur. Vérifiez qu'aucun fil ne touche deux bornes de connexion. • Reportez-vous à la section « Connexion d'enceintes à l'amplificateur stéréo Lifestyle® », page 20.
La télécommande ne permet pas de régler le volume.	<ul style="list-style-type: none"> • Vérifiez que la mini-fiche de 3,5 mm est correctement insérée dans le connecteur SYSTEM CONTROL 2 (music center modèle 5 uniquement). • Si vous utilisez une télécommande RC-20 ou RC-5, vérifiez que les réglages des commutateurs de la télécommande sont corrects. • Si vous utilisez une commande de contrôle du volume local (VCA), désactivez-la.
Le volume diminue soudainement	<ul style="list-style-type: none"> • Diminuez le réglage du volume pour vérifier si le volume revient au niveau normal. Si tel est le cas, la diminution soudaine du volume était une mesure intentionnelle de la fonctionnalité de protection de l'amplificateur contre les surcharges. Celle-ci se met en marche automatiquement si le réglage du volume est trop élevé et provoque une surcharge des enceintes. Le réglage du volume sur un niveau moins élevé permettra d'obtenir un volume continu et stable.
Aucun son n'est diffusé dans la zone 2.	<ul style="list-style-type: none"> • Si vous utilisez un système home cinéma Lifestyle®, l'amplificateur fonctionne uniquement si le paramètre « Zone 2 Protocol » du menu de réglage du système est défini sur « Legacy ». Pour plus d'informations, reportez-vous à la notice d'utilisation de votre système home cinéma Lifestyle®.

Service client

Pour obtenir une aide supplémentaire afin de résoudre vos problèmes, contactez le service client de Bose®. Consultez la liste d'adresses fournie avec votre système pour obtenir les numéros de téléphone appropriés.

Garantie limitée

L'amplificateur stéréo Lifestyle® est couvert par une garantie Bose limitée transférable d'un an. Les conditions détaillées de la garantie sont notées sur la carte d'enregistrement qui accompagne votre système. Veillez à remplir la section Informations de la carte et renvoyez-la à Bose. En cas d'oubli, les droits que vous confère cette garantie ne s'en trouveront pas affectés.

Accessoires

- Câble adaptateur Bose® Link / music center modèle 5 (Réf. 278128)
- Câble Bose® Link d'extension/expansion de 15 m (Réf. 275475-050)

Informations techniques

Fonctions

- Technologie de traitement des signaux numériques déposée de Bose®
- Contrôle numérique du volume intégré
- Protection contre les surcharges thermiques
- Pieds de protection en caoutchouc

Puissance nominale

- États-Unis/Canada : 120 V \sim 50/60 Hz, 220 W (SA-2), 400 W (SA-3)
- International : 220-240 V \sim 50/60 Hz, 220 W (SA-2), 400 W (SA-3)

Sensibilité d'entrée

- 0,5 Vrms @ 1 kHz

Rapport signal / bruit (S/B)

- 90 dB

	SA-2	SA-3
Connecteurs d'entrée/sortie	Connecteur de contrôle du volume VCA Sorties d'enceintes droite/gauche Entrée/sortie Bose® Link	Connecteur de contrôle du volume VCA Sorties d'enceintes droite/gauche Entrée AUX Entrée/sortie Bose® Link
Puissance de sortie (puissance moyenne continue)	40 W par canal minimum sous 6 ohms, fréquence de 30 Hz à 15 kHz, TDH maximum de 0,5 %.	100 W par canal minimum sous 6 ohms, fréquence de 30 Hz à 15 kHz, TDH maximum de 0,5 %.
Dimensions	36,2 x 13,8 x 9,0 cm	36,2 x 13,8 x 10,7 cm
Poids	3,42 kg	4,95 kg

Finition

- Revêtement poudre noir

Recommandations relatives aux câbles

Longueur (max.)	Section
9 m	0,75 mm ²
14 m	1,7 mm ²
21 m	2 mm ²

USA

Bose Corporation, The Mountain
Framingham, MA 01701-9168
1-800-367-4008
Phone hours - ET (eastern time):
Weekdays 8:30 a.m. to 8 p.m.
Saturdays 9 a.m. to 3 p.m.

Canada

Bose Ltd., 1-35 East Beaver Creek Road
Richmond Hill, Ontario L4B 1B3
1-800-465-2673
Phone hours - ET (eastern time):
Weekdays 9 a.m. to 5 p.m.

European Office

Bose Products B.V., Nijverheidstraat 8
1135 GE Edam, Nederland
TEL 0299-390111 FAX 0299-390114

Australia

Bose Pty Limited, 1 Sorrell Street
Parramatta, N.S.W. 2150
TEL 02 9204-6111 FAX 02 9204-6122

Belgique/België

Bose N.V., Limesweg 2, B-3700 Tongeren
TEL 012-390800 FAX 012-390840

Danmark

Bose A/S, Industrivej 7, 2605 Brøndby
TEL 4343-7777 FAX 4343-7818

Deutschland

Bose GmbH, Max-Planck-Straße 36d
D-61381 Friedrichsdorf
TEL 06172-71040 FAX 06172-710419

France

Bose S.A., 6, rue Saint Vincent
78100 Saint Germain en Laye
TEL 01-30616363 FAX 01-30614105

India

Bose Corporation India Private Limited
W-16, Greater Kailash-II
New Delhi 110 048
TEL (011) 648 4462 FAX (011) 648 4463

Ireland

Bose Corporation
Carrickmacross, Co Monaghan
TEL (042) 9661988 FAX (042) 9661998

Italia

Bose S.p.A., Via della Magliana 876
00148 Roma
TEL 06-65670802 FAX 06-65680167

Japan

Bose K.K., Shibuya YT Building
28-3 Maruyama-cho
Shibuya-ku, Tokyo 150
TEL 3-5489-0955 FAX 3-5489-0592

Nederland

Bose B.V., Nijverheidstraat 8
1135 GE Edam
TEL 0299-390111 FAX 0299-390109

Norge

Bose A/S, Solheimsgate 11
N-2001, Lillestrøm
TEL 63-817380 FAX 63-810819

Österreich

Bose Ges.m.b.H., Vienna Business Park
Wienerbergstrasse 7 (10.OG)
A-1100 Vienna
TEL 01-60404340 FAX 01-604043423

Schweiz

Bose AG, Rünenbergerstrasse 13
4460-Gelterkinden
TEL 061-9815544 FAX 061-9815502

Sverige

Bose A/S, JohanneFredsgatan 4
S-43153 Mölndal
TEL 31-878850 FAX 31-274891

United Kingdom

Bose Limited
1 Ambley Green
Gillingham Business Park
Gillingham, Kent ME8 ONJ
TEL 0870-741-4500 FAX 0870-741-4545

From other locations

Bose Customer Service, 1 New York Ave.
Framingham, MA 01701-9168 USA
TEL (508) 766-1900 FAX (508) 766-1919

World Wide Web

www.bose.com



BOSE[®]
Better sound through research[®]

©2004 Bose Corporation, The Mountain,
Framingham, MA 01701-9168 USA
275071 AM Rev.00 CCM-000395