

Frigidaire

Factory Parts Catalog

| | |
|----------------|---------------|
| Product No. | FFH17F7HWE |
| Series | Precision |
| Color | white |
| Volts | 115V |
| Wiring Diagram | 297246001 |
| Owner's Guide | 297281400 |
| Market | North America |
| Energy Guide | 216910410 |

 **Electrolux**

Electrolux Major Appliances
North & Latin America
P.O. BOX 212378
AUGUSTA, GA 30917

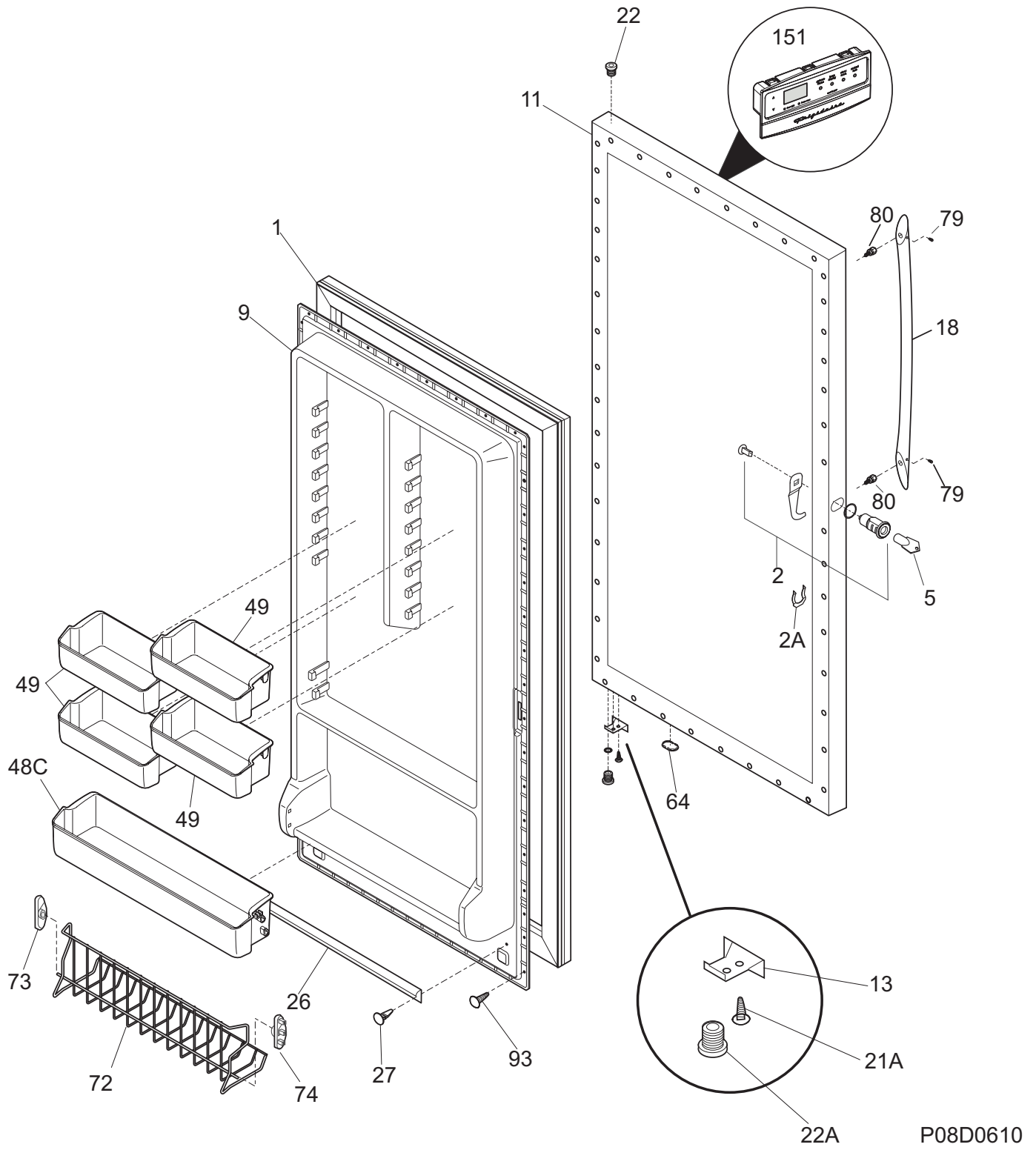
Publication No.
5995552030
09/09/14
(EN/SERVICE/MLR)
365

UPRIGHT FREEZER

Model No.
FFH17F7HW

Copyright © 2009 Electrolux Home Products, Inc.
All rights reserved.

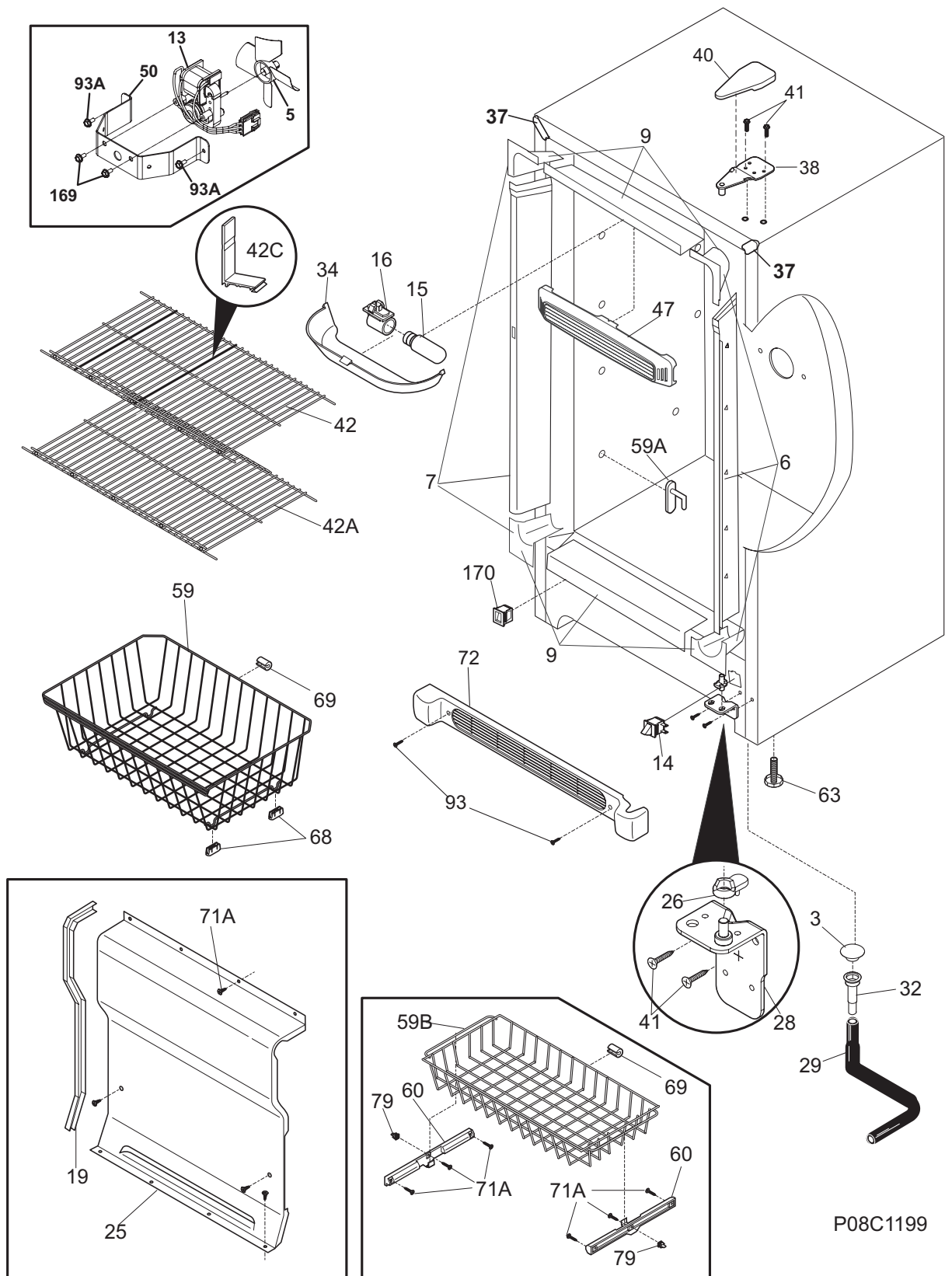
DOOR



DOOR

| POS. NO | PART NO. | DESCRIPTION |
|---------|------------|--|
| 1 | 216522309 | Gasket-door, white |
| 2 # | 297213400 | Lock Assy |
| 2A | 297213300 | Clip, spring |
| 5 | 297147700 | Key, lock |
| 9 | 297185800 | Panel-inner door, frzr |
| 11 | 297316505 | Panel-outer door, white |
| 13 | 297257000 | Door Stop, chrome, RH |
| 18 | 297233800 | Handle-door, white |
| * | 240537301 | Nut-anchor, door hdl screw |
| 21A | 297197500 | Screw, door stop mtg, FH38-16X.750, P Twin |
| 22 | 216970800 | Bearing, hinge w/o'ring, top |
| 22A | 297006800 | Bearing-hinge, btm, w/o'ring |
| 26 | 216524201 | Gasket, secondary |
| 27 | 5304472186 | Clip, panel mtg |
| 27* | 5304406520 | Clip, panel mtg kit, (40) |
| 48C | 297225600 | Bin-door, gallon |
| 49 | 297187200 | Bin-door, 2-liter |
| 64 | 216403700 | Plug-button, hole filler, door base |
| 72 | 297186701 | Shelf, tilt out, wire |
| 73 | 216513900 | End Cap, shelf, LH, tilt-out |
| 74 | 216514000 | End Cap, shelf, RH, tilt-out |
| 79 | 218755402 | Screw-set, 10-32 x 0.375 |
| 80 | 218755504 | Screw-shoulder, #10 AB, handle mounting |
| 93 | 5304460605 | Screw, ph truss head, 8-18AB x 0.500 |
| 151# | 297241900 | Control-electronic, assy, white, 115V |

CABINET

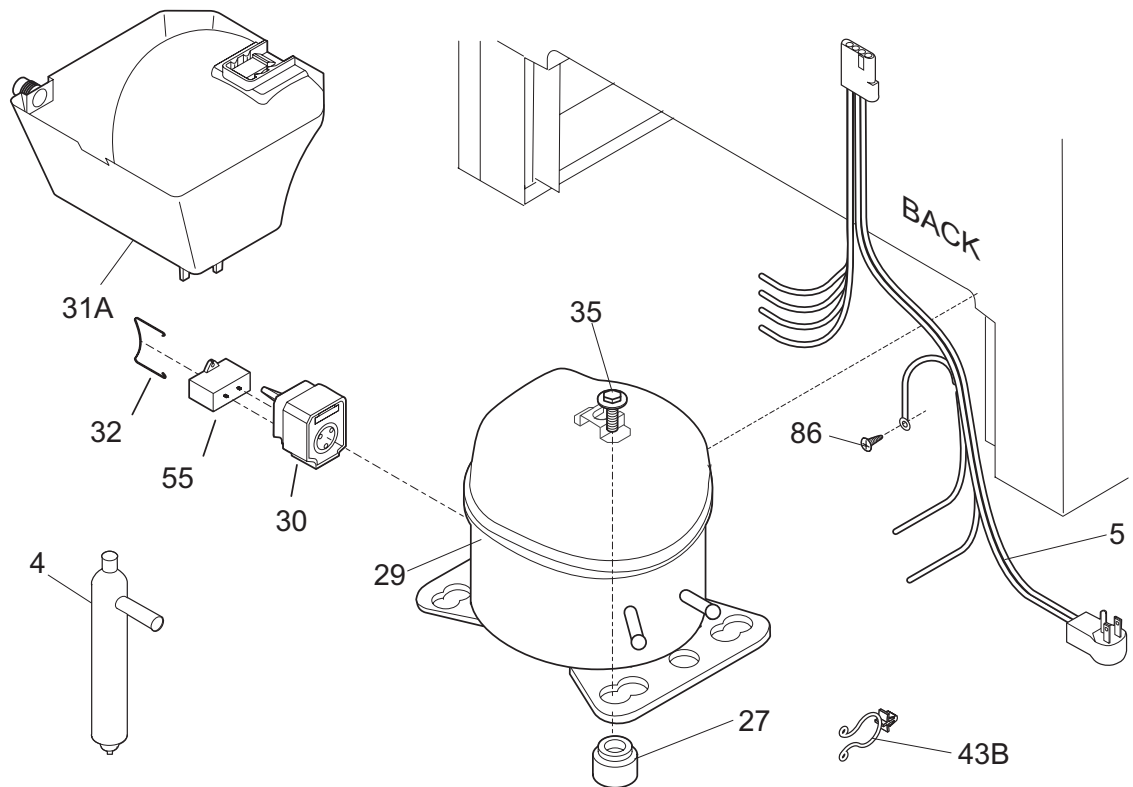
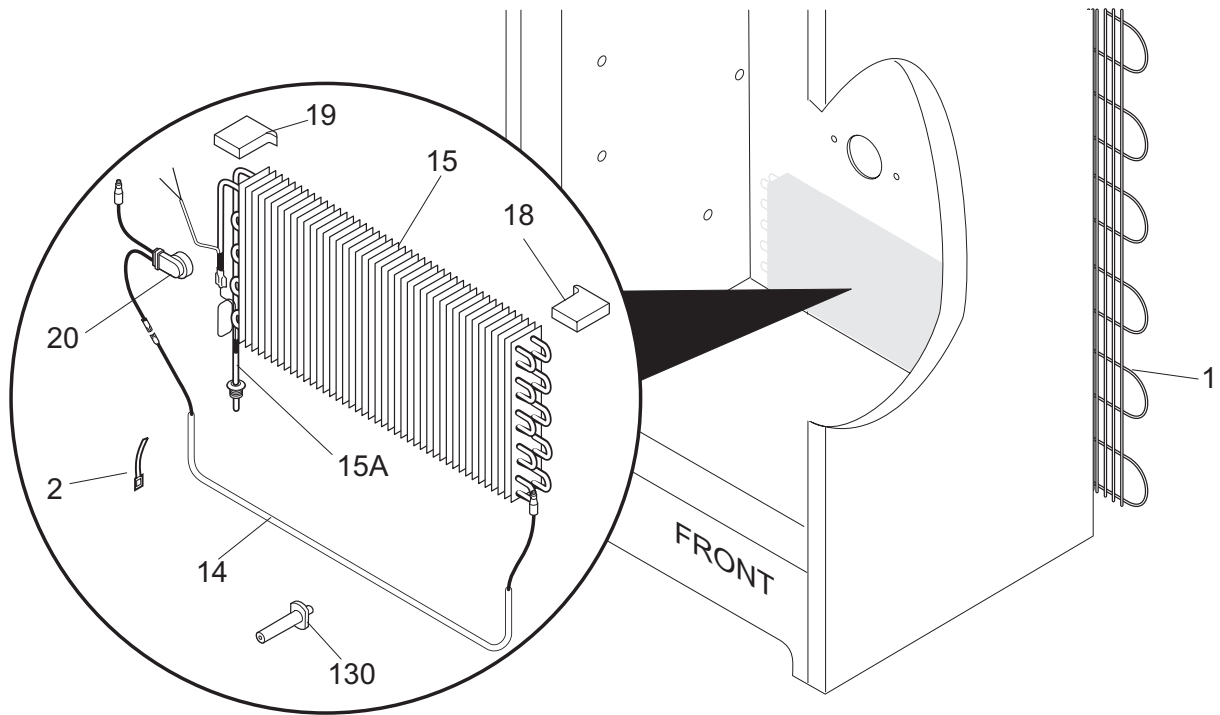


P08C1199

CABINET

| POS. NO | PART NO. | DESCRIPTION |
|---------|------------|--|
| 3 | 216503100 | Screen-drain |
| 5 # | 216325600 | Fan Blade |
| 6 | 297200600 | Breaker Kit w/corners, no lock slot |
| 7 | 297200800 | Breaker Kit w/corners, incl lock catch |
| 9 | 297200100 | Breaker Kit w/corners, 32", top and bottom |
| 13 # | 297250000 | Motor, fan, 115 V |
| 14 | 216822900 | Switch, light/lamp, ramp |
| 15 | 297114000 | Light Bulb, short, blue tint, 40W |
| 16 | 297139500 | Socket, light/lamp |
| 19 | 216204900 | Gasket, evap cover |
| 25 | 297098851 | Cover-evaporator |
| 26 | 216503300 | Ramp, door closer |
| 28 | 297283900 | Hinge-bottom, stepped pin |
| 29 | 216313501 | Hose-drain |
| 32 | 5308005500 | Drain |
| 34 | 297184400 | Shield-light |
| 37 | 297273900 | Trim-cabinet corner, white, (2) |
| 38 | 297283800 | Hinge-upper |
| 40 | 297164400 | Cover-hinge |
| 41 | 297236200 | Screw, tamper proof, 1/4-20 x 5/8 |
| 42 | 297119601 | Shelf, 14.50x27.88, (2) |
| 42A | 297119501 | Shelf, 12.50x27.88, white |
| * | 216502400 | Grommet-shelf mtg |
| 42C | 297183702 | Divider, blue, wire shelf |
| 47 | 297192900 | Baffle, air |
| 50 | 216394050 | Bracket, fan motor mount |
| 59 | 297308800 | Basket, bottom |
| 59A | 216486500 | Stop-basket, (2) |
| 59B | 297308400 | Basket, mid-level |
| 60 | 297013500 | Slide, basket |
| 63 | 216396900 | Screw, leveling foot, plastic, adjustable |
| 63* | 297164650 | Bracket, LH leg levelor |
| 63* | 297164651 | Bracket, RH leg levelor |
| 68 | 08009560 | Glide-basket |
| 69 | 5305878546 | Bumper-basket |
| 71A | 297146800 | Screw, 8-18AB x 0.470 |
| 72 | 297198900 | Grille/Kickplate, 32", white |
| 79 | 3017666 | Nut-insert |
| 93 | 5304460605 | Screw, ph truss head, 8-18AB x 0.500 |
| 93A | 2971174300 | Screw, #8, 18x.63, self pierce |
| * | 216327800 | Clip, wire |
| 169 | 216912401 | Screw, hex washer head, 8-32 x 0.500, bracket fan mtr, (2) |
| 170 | 297280400 | Valve, breather |
| * | 216910410 | Energy Guide |
| * | 5303305324 | Paint, touch-up, white |
| * | 297001704 | Insulation, 24", drain tube |
| * | 297257400 | Label, start guide |
| * | 297281200 | Instructions, elect guide, Precision |

SYSTEM



P08S0507

SYSTEM

| POS. NO | PART NO. | DESCRIPTION |
|---------|------------|-----------------------------------|
| 1 # | 5300083897 | Condenser |
| 2 | 5308000110 | Strap-evap/heater, aluminum, (2) |
| 4 | 216987500 | Drier-filter |
| 5 # | 297237602 | Harness-main |
| 14 | 297216101 | Heater-defrost |
| 15 # | 216997300 | Evaporator |
| 15A | 297217900 | Heat Exchanger, suct/cap tube |
| 18 | 297078701 | Insulator-evap, styrofoam, RH |
| 19 | 297078801 | Insulator-evap, styrofoam, LH |
| 20 | 297216600 | Thermostat, defrost |
| 27 | 297293300 | Grommet, compressor |
| 29 # | 297270421 | Compressor, w/o electricals |
| 30 | 216954224 | Controller, compressor |
| 31A | 297272100 | Pan-drain |
| * | 5303311565 | Clip-cable |
| 32 | 216649200 | Clip, controller |
| 35 | 297177200 | Bolt, compressor |
| 43B | 297315800 | Clip, wire |
| 55 | 216985002 | Capacitor, run, 12 MF |
| 86 | 216036601 | Screw, RWHD, 8-32A x 0.500, GX-CA |
| 130 | 297244700 | Support, evaporator mtg |
| * | 216502500 | Sleeve, suction line |
| * | 240555002 | Screw-#8-32 X 3/8 |
| * | 297014500 | Plug-suction line |
| * | 297018400 | Thermistor |
| * | 297174300 | Screw, #8, 18x.63, self pierce |
| *# | 297169904 | Cord-power |