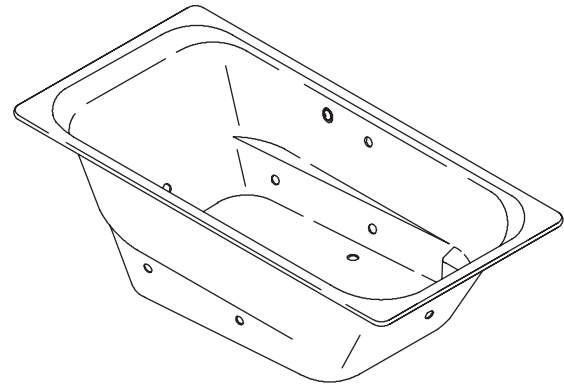


### 6' BATH WHIRLPOOL K-1496-H2

#### Features

- Acrylic
- 1.5 hp variable-speed pump with 1.5 kW heater and back-lit user keypad
- 6 Flexjets™
- Less all trim
- 72-3/8" (183.8 cm) x 35-3/4" (90.8 cm) x 24-1/2" (62.2 cm)



#### Codes/Standards Applicable

Specified model meets or exceeds the following:

- ASME A112.19.7M
- ANSI Z124.1.2
- IAPMO/UPC
- Underwriters Laboratories (UL)

#### Colors/Finishes

- 0: White
- Other: Refer to Price Book for additional colors/finishes

#### Accessories

- 0: White
- CP: Polished Chrome
- PB: Vibrant® Polished Brass
- NA: None applicable
- Other: Refer to Price Book for additional colors/finishes

#### Specified Model

Model	Description	Colors/Finishes		
K-1496-H2	Bath whirlpool	<input type="checkbox"/> 0	<input type="checkbox"/> Other_____	
<b>Required Accessories</b>				
K-9696	Jet trim kit	<input type="checkbox"/> CP	<input type="checkbox"/> PB	<input type="checkbox"/> Other_____
<b>Recommended Accessories</b>				
K-7161-AF	Pop-up drain	<input type="checkbox"/> CP	<input type="checkbox"/> PB	<input type="checkbox"/> Other_____
<b>Optional Accessories</b>				
K-1179	Vinyl tiling-in bead (use when wall material contacts any top surface of bath)	<input type="checkbox"/> NA		
K-1491	Pillow	<input type="checkbox"/> 0	<input type="checkbox"/> Other_____	
K-1601	Footstop	<input type="checkbox"/> 0	<input type="checkbox"/> Other_____	

Additional Optional Accessories table is on page 2.

#### Product Specification

The acrylic bath whirlpool shall be 72-3/8" (183.8 cm) in length, 35-3/4" (90.8 cm) in width, and 24-1/2" (62.2 cm) in height. The bath whirlpool shall have six Flexjets, a 1.5 hp variable-speed pump, a 1.5 kW heater, and back-lit user keypad. The bath whirlpool shall be less all trim. The bath whirlpool shall be Kohler Model K-1496-H2-\_\_\_\_\_.

# RAPPORT®

## Optional Accessories

K-1703 Remote control

NA

## Technical Information

Fixture*:	
Bathing well:	
Basin area	45" (114.3 cm) x 26" (66 cm)
Top area	67" (170.2 cm) x 31" (78.7 cm)
To overflow:	
Water depth	18" (45.7 cm)
Capacity	110 gal (416.4 L)
Weight	123 lbs (55.8 kg)
Drop-in cutout	70-3/4" (179.7 cm) x 34-5/8" (87.9 cm)
* Approximate measurements for comparison only.	

Pump:	Hp	kW	V	Hz	A
Variable-speed	1.5	1.5	240	50/60	11

## Required Electrical Service

Dedicated circuit required, protected with a Class A Ground-Fault Circuit-Interrupter (GFCI) or Earth-Leakage Circuit-Breaker (ELCB):

Pump/control 220/240 V, 20 A, 50/60 Hz

Locate the outlets behind the whirlpool and within 24" (61 cm) of the pump.

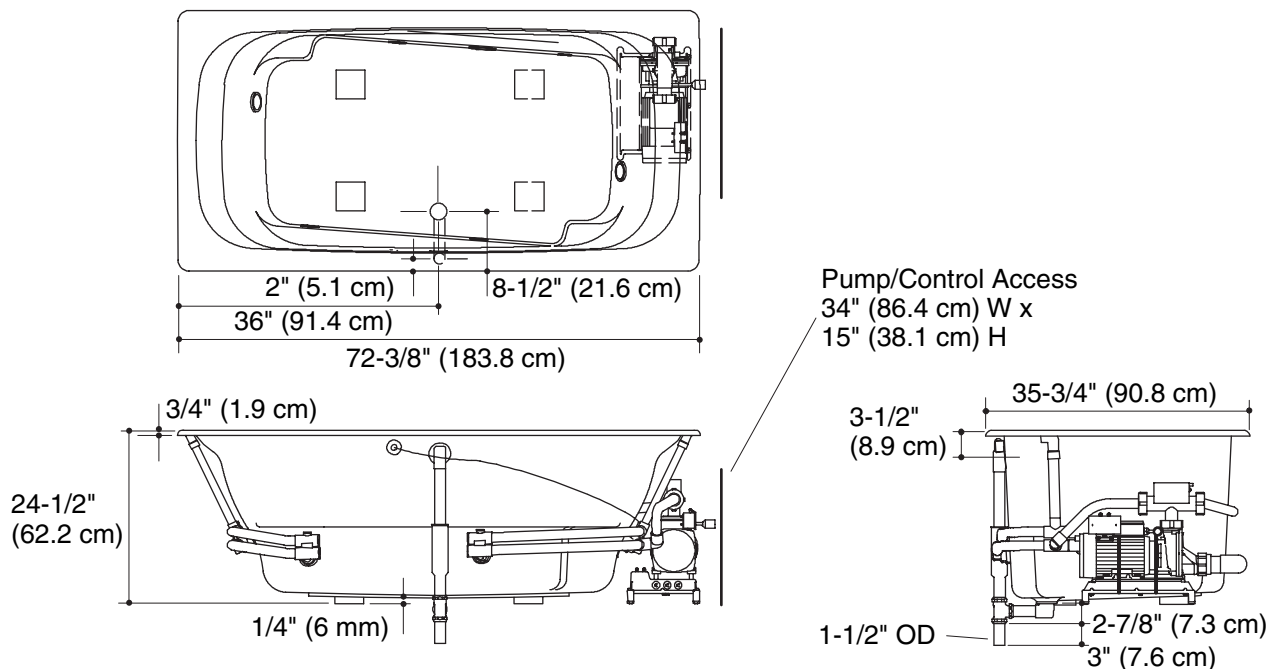
## Installation Notes

Install this product according to the installation guide.

Floor support under whirlpool must provide for a minimum of 59 lbs (290 kg) loading.

Hot water supply should be 70% of capacity or greater. Installations will vary.

No change in measurements if connected with drain illustrated. (K-7161-AF or K-7161M-AF)



## Product Diagram