

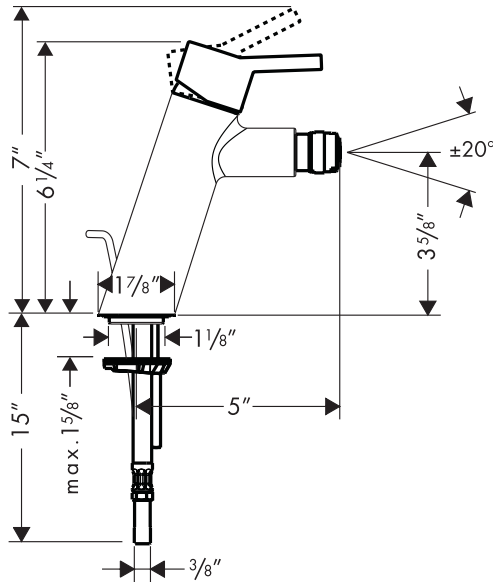
Product Features

- Solid brass
- Single-hole mount
- Single handle with M2 ceramic cartridge
- Swivel bidet aerator
- 2.2 gpm
- Includes pop-up drain

Code Compliance

This unit meets or exceeds the following:

- ASME A112.18.1
- CSA B125.1
- Listed by IAPMO
- ADA compliant
- Approved for use in Massachusetts



Available Finishes

Chrome	32240001
Brushed Nickel	32240821

Optional Accessories

6" baseplate	06490XX0
--------------	----------

Installation Notes

- 3/8" supply hoses – requires 3/8" compression fittings
- Not for use on a vertical spray bidet

The measurements shown are for reference only.

Products and specifications shown are subject to change without notice.

Specification sheet revised 2/2008