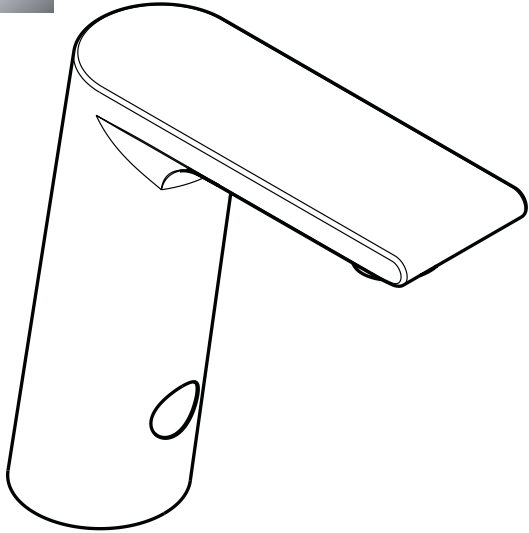


**ECO
RIGHT**



Product Features

- Infrared sensor technology
- Battery operated
- Built-in stop for cleaning
- Preset temperature
- Flexible supply hoses with 3/8" adapters
- Automatic shutoff after 35 seconds
- 1.5 gpm max.

Code Compliance

This unit meets or exceeds the following:

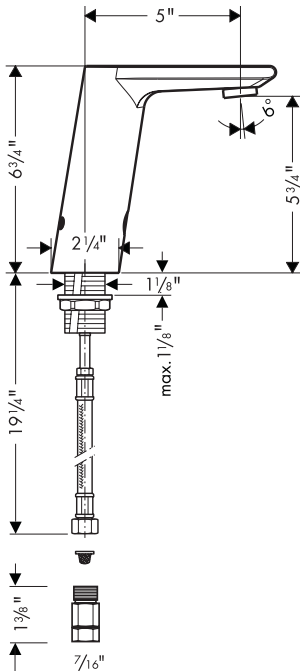
- ASME A112.18.1
- CSA B125.1
- Listed by IAPMO
- ADA compliant
- Approved for use in Massachusetts

Available Finishes

Chrome	31101001
Steel Optik	31101801

Optional Accessories

Grid drain	06400XX0
Base plate	14018XX1



The measurements shown are for reference only.

Products and specifications shown are subject to change without notice.

Specification sheet revised 1/2009