

# Commercial Showers & Tub Showers

## 64" Acrylic Shower



Hamilton  
BATHWARE

### ADA / ANSI Roll-In Showers ONE-PIECE DOMED ACRYLIC

**701A-** NO MODIFICATIONS TO PACKAGES. FOR BUILT TO ORDER UNIT, SELECT BASE UNIT AND ACCESSORIES.

PKG ONE-ADA/ANSI: A 6436 IBS	List: \$3219
.75" NO RECESS BF THRESHOLD	MUDSET
Handed by SEAT L/R	WHITE PREMIUM CAST ACRYLIC
Factory Installed Accessories (VALVE/SHOWER KIT NOT INCLUDED IN PKG1)	
L-BAR	37" x 33" x 1.5" SMOOTH SS RADIUS
SEAT	32" X 21" FRAMELESS WHITE HDPE RAD FOLD UP
ROD	1" OD 20 GAUGE SS GROMMET STYLE

FOR ADA/ANSI COMPLIANCE WITH SEAT: INSTALLED ACCESSORIES MUST INCLUDE: L-BAR, L-SEAT, PRESSURE BALANCING MIXING VALVE, HAND HELD SHOWER WITH SLIDE BAR (BACK WALL, WITH IN REACH OF SEATED USER), VACUUM BREAKER & 60" HOSE. UNIT & ACCESSORIES INSTALLED PER ADA/ANSI & PRAXIS INSTALLATION & WARRANTY GUIDELINES.

PKG TWO-ADA/ANSI: A 6436 IB	List: \$2600
.75" NO RECESS BF THRESHOLD	MUDSET
Handed by CENTER DRAIN	WHITE PREMIUM CAST ACRYLIC
Factory Installed Accessories (VALVE/SHOWER KIT NOT INCLUDED IN PKG2)	
U-BAR	33" X 60" X 33" X 1.5" SMOOTH SS RADIUS W/ CENTER FLANGE
ROD	1" OD 20 GAUGE SS GROMMET STYLE

FOR ADA/ANSI COMPLIANCE LESS SEAT: INSTALLED ACCESSORIES MUST INCLUDE: U-BAR, PRESSURE BALANCING MIXING VALVE, HAND HELD SHOWER WITH SLIDE BAR (SIDE OR BACK WALL), VACUUM BREAKER AND 60" HOSE. UNIT AND ACCESSORIES INSTALLED PER ADA/ANSI & PRAXIS INSTALLATION & WARRANTY GUIDELINES.

### BUILD TO ORDER BASE PLUS ACCESSORIES

BASE UNIT 1: A 6436 I	List: \$2185
SPECIFY THRESHOLD HEIGHT	MUDSET
Handed by CENTER DRAIN OR SEAT L/R	
Reinforced for Standard Accessories	

BASE UNIT OPTIONAL ACCESSORIES	List:
<b>FINISHES</b>	
STANDARD FINISH- PREMIUM CAST ACRYLIC: WHITE, BONE, BISCUIT	\$0
<b>GRAB BARS</b>	
L-BAR	37" x 33" x 1.5" SMOOTH SS RADIUS \$216
L-BAR	37" x 33" x 1.25" SMOOTH WHITE RADIUS \$335
U-BAR	33" X 60" X 33" X 1.5" SMOOTH SS RADIUS W/ CENTER FLANGE \$399

INSIDE CURTAIN LINE SEATS (REVISED ADA-ABA 2004)	List:
SEAT	32" X 21" FRAMELESS WHITE HDPE RAD FOLD UP \$747
SEAT	32" X 21" FRAMELESS WHITE PADDED RAD FOLD UP \$747
SEAT	32" X 21" FRAMELESS WOODGRAIN PHENOLIC RAD FOLD UP \$747
SEAT	32" X 14.5" WHITE PADDED W/LEGS (BARIATRIC) \$1281

FACTORY MODIFICATIONS	List:
MOD	VALVE DRILLING - SPECIFY HOLE SIZE \$56
MOD	INSTALL STANDARD SYMMONS VALVE PACKAGE \$633
MOD	INSTALL HANS GROHE THERMOSTATIC VALVE PACKAGE (XLT) \$501
MOD	INSTALL POWERS VALVE PACKAGE (XLT) \$656
MOD	INSTALL 30" SLIDE BAR / HS KIT \$411
MOD	.75" NO RECESS BF THRESHOLD \$111
MOD	2" BF THRESHOLD \$0
MOD	ARMORSHIELD P3 PROTECTION \$149

CURTAIN RODS	List:
ROD	1" OD 20 GAUGE SS GROMMET STYLE \$71
ROD	1" OD 20 GAUGE WHITE GROMMET STYLE \$138

FIELD INSTALLED ACCESSORIES	List:
LOOSE	CURTAIN PREMIUM 66" X 72" WHITE NYLON WTD \$180
LOOSE	CURTAIN HEAVY DUTY 66" X 72" WHITE VINYL WTD \$119

ADDITIONAL ACCESSORIES AND SERVICES MAY BE AVAILABLE UPON REQUEST

Special Notes: This unit complies with ANSI Z124.2, ICC/ANSI A117.1, UPC, HUD, ASTM F462, ASTM E84, ADA, ABA, SBCCI, NAHB.

Warranty: Gelcoat models have a 3 year limited warranty. Acrylic models have a 5 year limited warranty. Pumps, parts, and accessories 1 year limited warranty. For further details please refer to the complete warranty section.

Due to the nature of the materials, dimensions may vary +/- 1/2".

DRAWING REQUEST MUST BE MADE FOR PACKAGE 2 DRAWING AND BUILT TO ORDER UNITS.



### A 6436 IBS

PHOTOGRAPH AT LEFT ILLUSTRATES PACKAGE ONE (HANDED BY SEAT LEFT)

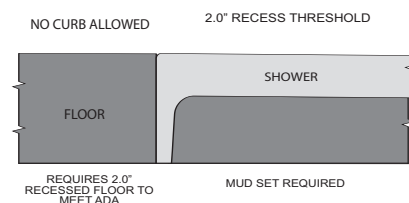
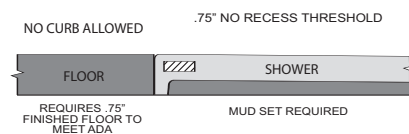
Premium Cast Acrylic

Five Year Warranty

Primary Applications:

- Healthcare
- College Dormitory
- Hospitality
- Schools

ADA Roll-In Threshold Requirements:



701A

rev. 09/25/07

### A 6436 I

OD: 64.5" x 36.25" x 82.75"

ID: 60" x 36" CENTER POINT

WEIGHT: 255

LOAD FACTOR: 2

HANDED BY: CENTER DRAIN OR SEAT L/R



Hamilton Bathware/Praxis Companies, LLC.

435 Industrial Road, Savannah • Tennessee 38372 • Customer Service: 800.326.5489 • Fax: 888.246.0466 • www.hamiltonbathware.com

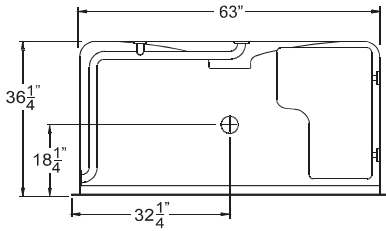
Product Availability  
Hamilton Northeast  
XLT-EXTENDED LEADTIME

Product Availability  
Hamilton Mid-America  
XLT-EXTENDED LEADTIME

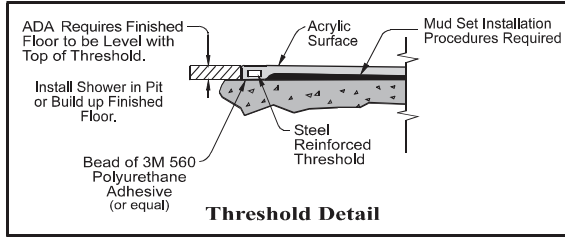
Product Availability  
Hamilton South  
STD-STANDARD LEADTIME

# PACKAGE ONE - ADA/ANSI A 6436 IBS

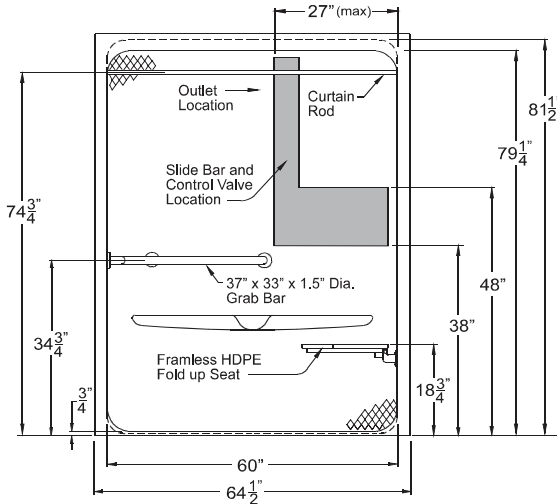
No modifications accepted (Packaged units only)



Top View

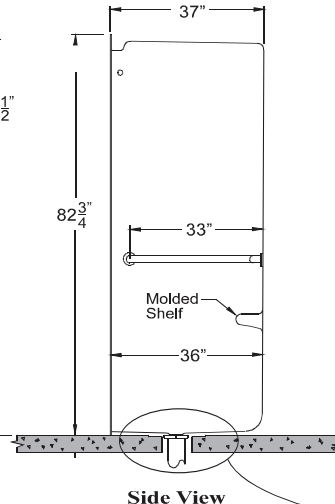


Threshold Detail



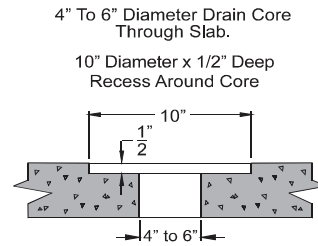
Front View

NOTE: Due to the nature of the materials, dimension may vary + - 1/2".



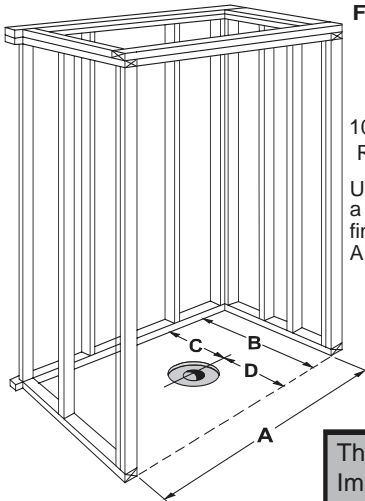
Side View

### DETAIL OF DRAIN CORE AREA



## ADA COMPLIANCE REQUIREMENTS

For ADA compliance with seat: Installed accessories must include: L-shaped fold up seat, horizontal L-grab bar, pressure balancing mixing valve, hand held shower with slide bar (on back wall within reach of seated user), vacuum breaker and 60" hose. Unit and accessories must be installed per ADA and Praxis guidelines.



### FRAMING DIMENSIONS

A	B	C	D
64 3/4"	37"	18"	18 1/4"

10" Diameter x 1/2" Deep Recess Around Drain Core

Unit must be installed into a recessed pit -or- build up finished floor to comply with ADA threshold guidelines.

### STANDARD FEATURES

- Durable cast acrylic finish
- Low threshold entry
- Molded accessory shelf
- Integral dome
- HDPE fold up seat
- Stainless steel grab bar
- Stainless steel curtain rod

### STANDARD CODES

- ANSI Z124.2
- ASTM F463
- ASTM E84
- SBCCI
- NAHB
- UPC

### ADA CODES

- ICC/ANSI A117.1
- HUD/ADA
- UFAS

(when fully equipped)  
Unit configured with standard features, pressure balanced control valve and hand held shower package.

Confirm any requested loose accessories desired by circling the items on page one.

Submittal drawing required for Prepackaged model. **NO MODIFICATIONS ACCEPTED.**

All built to order model configurations and submittal drawings must be ordered.

UPC/SKU NUMBERS Left Hand Valve: \_\_\_\_\_ Right Hand Valve: \_\_\_\_\_

This model included in the **PRAXIS QUALITY INSTALLATION ASSURANCE PROGRAM.** Important installation procedures **MUST** be followed for the fixture to be granted a warranty.

**ATTENTION PLUMBING CONTRACTOR!!!** THIS ORDER WILL NOT BE PROCESSED UNLESS THIS DOCUMENT IS SIGNED, DATED AND A CONTACT PHONE NUMBER OF THE PLUMBING CONTRACTOR IS PROVIDED. FOR ORDERS OF FOUR OR MORE UNITS, PARTICIPATION IN THE PRAXIS QUALITY INSTALLATION ASSURANCE PROGRAM IS MANDATORY FOR ACTIVATION OF PRODUCT WARRANTY.

Signed:  Date:  Contact Phone Number:

Praxis Quality Installation Assurance Program Information: Phone: (800)-759-7744 ext: 29.

Customer Service: (800)-443-7269 Fax: (731)-925-0379

# Commercial Showers & Tub Showers

## 64" Acrylic Shower



**Hamilton**  
BATHWARE

### TAS Roll-In Showers ONE-PIECE DOMED ACRYLIC

<b>701B-</b> NO MODIFICATIONS TO PACKAGES. FOR BUILT TO ORDER UNIT, SELECT BASE UNIT AND ACCESSORIES.	
<b>PKG ONE-TAS: A 6436 IBS TAS</b>	<b>List: \$3219</b>
.75" NO RECESS BF THRESHOLD	MUDSET
Handed by SEAT L/R	WHITE PREMIUM CAST ACRYLIC
Factory Installed Accessories (VALVE/SHOWER KIT NOT INCLUDED IN PKG1)	
L-BAR	37" x 33" x 1.5" SMOOTH SS RADIUS
SEAT	34.5" X 21" FRAMELESS WHITE HDPE RAD FOLD UP
ROD	1" OD 20 GAUGE SS GROMMET STYLE
<b>FOR TAS COMPLIANCE WITH SEAT: INSTALLED ACCESSORIES MUST INCLUDE: L-BAR, 34.5" L-SEAT, PRESSURE BALANCING MIXING VALVE, HAND HELD SHOWER WITH SLIDE BAR (BACK WALL, WITH IN REACH OF SEATED USER), VACUUM BREAKER &amp; 60" HOSE. UNIT &amp; ACCESSORIES INSTALLED PER TAS &amp; PRACTICE INSTALLATION &amp; WARRANTY GUIDELINES.</b>	
<b>BUILD TO ORDER BASE PLUS ACCESSORIES</b>	
<b>BASE UNIT 1: A 6436 I TAS</b>	<b>List: \$2185</b>
SPECIFY THRESHOLD HEIGHT	MUDSET
Handed by SEAT L/R OR CENTER	
Reinforced for Standard Accessories	
<b>BASE UNIT OPTIONAL ACCESSORIES</b>	<b>List:</b>
<b>FINISHES</b>	
STANDARD FINISH- PREMIUM CAST ACRYLIC: WHITE, BONE, BISCUIT	\$0
<b>GRAB BARS</b>	
L-BAR	37" x 33" x 1.5" SMOOTH SS RADIUS \$216
L-BAR	37" x 33" x 1.25" SMOOTH WHITE RADIUS \$335
<b>FULL DEPTH OF STALL SEATS (ADAAG 1991-2002)</b>	
SEAT	34.5" X 21" FRAMELESS WHITE HDPE RAD FOLD UP \$747
SEAT	34.5" X 21" FRAMELESS WHITE PADDED RAD FOLD UP \$747
SEAT	34.5" X 21" FRAMELESS WOODGRAIN PHENOLIC RAD FOLD UP \$747
<b>FACTORY MODIFICATIONS</b>	
MOD	VALVE DRILLING - SPECIFY HOLE SIZE \$56
MOD	INSTALL STANDARD SYMMONS VALVE PACKAGE \$633
MOD	INSTALL HANS GROHE THERMOSTATIC VALVE PACKAGE (XLT) \$501
MOD	INSTALL POWERS VALVE PACKAGE (XLT) \$656
MOD	INSTALL 30" SLIDE BAR / HS KIT \$411
MOD	2" BF THRESHOLD \$0
MOD	.75" NO RECESS BF THRESHOLD \$111
MOD	ARMORSHIELD P3 PROTECTION \$149
<b>CURTAIN RODS</b>	
ROD	1" OD 20 GAUGE SS GROMMET STYLE \$71
ROD	1" OD 20 GAUGE WHITE GROMMET STYLE \$138
<b>FIELD INSTALLED ACCESSORIES</b>	
LOOSE	CURTAIN PREMIUM 66" X 72" WHITE NYLON WTD \$180
LOOSE	CURTAIN HEAVY DUTY 66" X 72" WHITE VINYL WTD \$119
<b>ADDITIONAL ACCESSORIES AND SERVICES MAY BE AVAILABLE UPON REQUEST</b>	



### A 6436 IBS TAS

PHOTOGRAPH AT LEFT ILLUSTRATES PACKAGE ONE (HANDED BY SEAT LEFT)

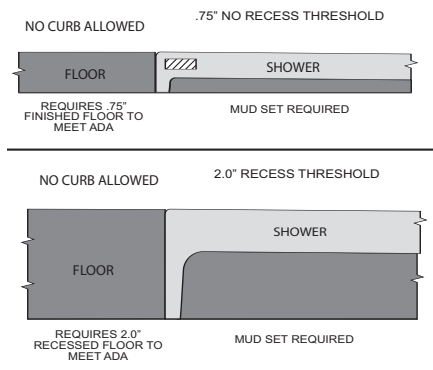
**Premium Cast Acrylic**

**Five Year Warranty**

#### Primary Applications:

- Healthcare
- College Dormitory
- Hospitality
- Schools

#### TAS Roll-In Shower Threshold Requirements:



<b>701B</b>	rev. 09/25/07
<b>A 6436 I TAS</b>	
OD: 64.5" x 36.25" x 82.75"	
ID: 60" x 36" CENTER POINT	
<b>WEIGHT: 255</b>	
<b>LOAD FACTOR: 2</b>	
<b>HANDED BY: SEAT L/R OR CENTER</b>	

Special Notes: This unit complies with TAS, ANSI Z124.2, ICC/ANSI A117.1, UPC, HUD, ASTM F462, ASTM E84, ADA, ABA, BOCA, SBCCI, NAHB.

Warranty: Gelcoat models have a 3 year limited warranty. Acrylic models have a 5 year limited warranty. Pumps, parts, and accessories 1 year limited warranty. For further details please refer to the complete warranty section.

Due to the nature of the materials, dimensions may vary +/- 1/2".

DRAWING REQUEST MUST BE MADE FOR PACKAGE 2 DRAWING AND BULIT TO ORDER UNITS.



### Hamilton Bathware/Praxis Companies, LLC.

435 Industrial Road, Savannah • Tennessee 38372 • Customer Service: 800.326.5489 • Fax: 888.246.0466 • www.hamiltonbathware.com

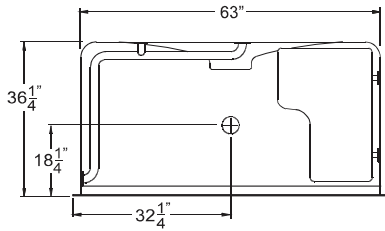
**Product Availability**  
**Hamilton Northeast**  
**XL-EXTENDED LEADTIME**

**Product Availability**  
**Hamilton Mid-America**  
**XL-EXTENDED LEADTIME**

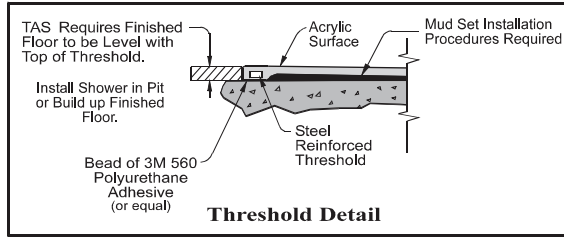
**Product Availability**  
**Hamilton South**  
**STD-STANDARD LEADTIME**

# PACKAGE ONE - TAS A 6436 IBS TAS

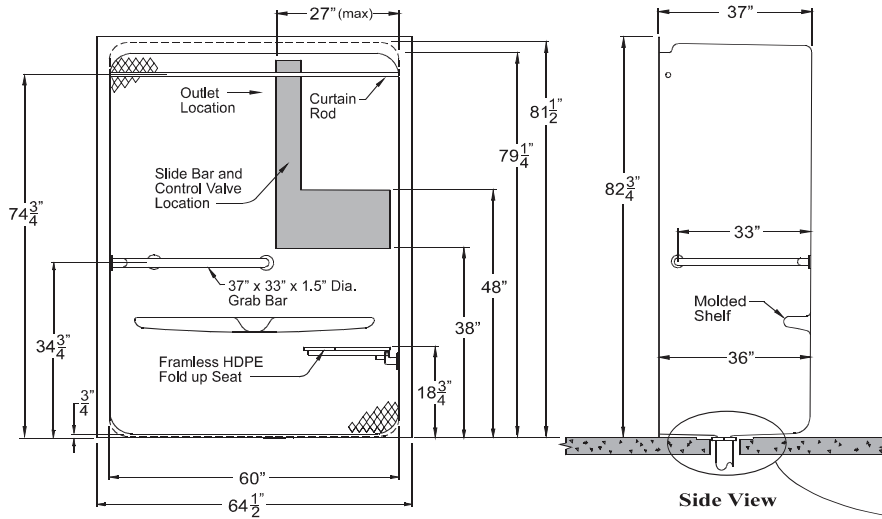
No modifications accepted (Packaged units only)



Top View



Threshold Detail



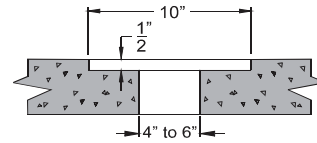
Front View

Side View

### DETAIL OF DRAIN CORE AREA

4" To 6" Diameter Drain Core Through Slab.

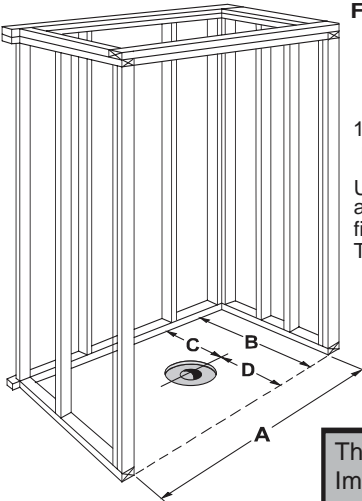
10" Diameter x 1/2" Deep Recess Around Core



NOTE: Due to the nature of the materials, dimension may vary +/- 1/2".

## TAS COMPLIANCE REQUIREMENTS

For TAS compliance with seat: Installed accessories must include: L-shaped fold up seat, horizontal L-grab bar, pressure balancing mixing valve, hand held shower with slide bar (on back wall within reach of seated user), vacuum breaker and 60" hose. Unit and accessories must be installed per TAS and Praxis guidelines.



### FRAMING DIMENSIONS

A	B	C	D
64 3/4"	37"	18"	18 1/4"

10" Diameter x 1/2" Deep Recess Around Drain Core

Unit must be installed into a recessed pit -or- build up finished floor to comply with TAS threshold guidelines.

### STANDARD FEATURES

- Durable cast acrylic finish
- Low threshold entry
- Molded accessory shelf
- Integral dome
- HDPE fold up seat
- Stainless steel grab bars
- Stainless steel curtain rod

### STANDARD CODES

- ANSI Z124.2
- ASTM F463
- ASTM E84
- SBCCI
- NAHB
- UPC

### TEXAS ACCESSIBILITY STANDARD CODE

- TAS
- ICC/ANSI A117.1
- HUD/ADA
- UFAS

(when fully equipped)  
Unit configured with standard features, pressure balanced control valve and hand held shower package.

Confirm any requested loose accessories desired by circling the items on page one.

Submittal drawing required for Prepackaged model. **NO MODIFICATIONS ACCEPTED.**

All built to order model configurations and submittal drawings must be ordered.

**UPC/SKU NUMBERS** Left Hand Valve: \_\_\_\_\_ Right Hand Valve: \_\_\_\_\_

This model included in the **PRAXIS QUALITY INSTALLATION ASSURANCE PROGRAM.** Important installation procedures **MUST** be followed for the fixture to be granted a warranty.

**ATTENTION PLUMBING CONTRACTOR!!!** THIS ORDER WILL NOT BE PROCESSED UNLESS THIS DOCUMENT IS SIGNED, DATED AND A CONTACT PHONE NUMBER OF THE PLUMBING CONTRACTOR IS PROVIDED. FOR ORDERS OF FOUR OR MORE UNITS, PARTICIPATION IN THE PRAXIS QUALITY INSTALLATION ASSURANCE PROGRAM IS MANDATORY FOR ACTIVATION OF PRODUCT WARRANTY.

Signed:  Date:  Contact Phone Number:

Praxis Quality Installation Assurance Program Information: Phone: (800)-759-7744 ext: 29.

Customer Service: (800)-443-7269 Fax: (731)-925-0379

# Commercial Showers & Tub Showers

## 64" Acrylic Shower



**Hamilton**  
BATHWARE

### MAS Roll-In Showers ONE-PIECE DOMED ACRYLIC

<b>701C-</b> NO MODIFICATIONS TO PACKAGES. FOR BUILT TO ORDER UNIT, SELECT BASE UNIT AND ACCESSORIES.		
<b>PKG ONE-MAS: A 6436 IBS MAS</b>		<b>List: \$3243</b>
.75" NO RECESS BF THRESHOLD	MUDSET	
Handed by Seat L/R	WHITE PREMIUM CAST ACRYLIC	
Factory Installed Accessories ( <b>VALVE/SHOWER KIT NOT INCLUDED IN PKG1</b> )		
L-BAR	37" x 33" x 1.25" PEENED SS RADIUS	
SEAT	32" X 21" FRAMELESS WHITE PADDED RAD FOLD UP	
ROD	1" OD 20 GAUGE SS GROMMET STYLE	
<b>FOR MAS COMPLIANCE WITH SEAT: NO CURB ALLOWED, INSTALLED ACCESSORIES MUST INCLUDE: PEENED OR TEXTURED L-BAR, PADDED L-SEAT, PRESSURE BALANCING MIXING VALVE, HAND HELD SHOWER WITH SLIDE BAR (BACK WALL, WITH IN REACH OF SEATED USER), VACUUM BREAKER AND 60" HOSE. UNIT AND ACCESSORIES INSTALLED PER MAS &amp; PRAXIS INSTALLATION &amp; WARRANTY GUIDELINES.</b>		
<b>BUILD TO ORDER BASE PLUS ACCESSORIES</b>		
<b>BASE UNIT 1: A 6436 I MAS</b>		<b>List: \$2187</b>
SPECIFY THRESHOLD HEIGHT	MUDSET	
Handed by SEAT L/R		
Reinforced for Standard Accessories		
<b>BASE UNIT OPTIONAL ACCESSORIES</b>		<b>List:</b>
<b>FINISHES</b>		
STANDARD FINISH- PREMIUM CAST ACRYLIC: WHITE, BONE, BISCUIT		\$0
<b>GRAB BARS</b>		
L-BAR	37" x 33" x 1.25" PEENED SS RADIUS	\$237
L-BAR	37" x 33" x 1.25" TEXTURED WHITE RADIUS	\$342
<b>INSIDE CURTAIN LINE SEATS (REVISED ADA-ABA 2004)</b>		
SEAT	32" X 21" FRAMELESS WHITE PADDED RAD FOLD UP	\$747
SEAT	32" X 14.5" WHITE PADDED W/LEGS (Bariatrics)	\$1281
<b>FACTORY MODIFICATIONS</b>		
MOD	VALVE DRILLING - SPECIFY HOLE SIZE	\$56
MOD	INSTALL STANDARD SYMMONS VALVE PACKAGE	\$633
MOD	INSTALL HANS GROHE THERMOSTATIC VALVE PACKAGE (XLT)	\$501
MOD	INSTALL POWERS VALVE PACKAGE (XLT)	\$656
MOD	INSTALL 30" SLIDE BAR / HS KIT	\$411
MOD	2" BF THRESHOLD	\$0
MOD	.75" NO RECESS BF THRESHOLD	\$111
MOD	ARMORSHIELD P3 PROTECTION	\$149
<b>CURTAIN RODS</b>		
ROD	1" OD 20 GAUGE SS GROMMET STYLE	\$71
ROD	1" OD 20 GAUGE WHITE GROMMET STYLE	\$138
<b>FIELD INSTALLED ACCESSORIES</b>		
LOOSE	CURTAIN PREMIUM 66" X 72" WHITE NYLON WTD	\$180
LOOSE	CURTAIN HEAVY DUTY 66" X 72" WHITE VINYL WTD	\$119

**ADDITIONAL ACCESSORIES AND SERVICES MAY BE AVAILABLE UPON REQUEST**

Special Notes: This unit complies with MAS, ANSI Z124.2, NAHB, UPC, ASTM F462, ASTM E84.

Warranty: Gelcoat models have a 3 year limited warranty. Acrylic models have a 5 year limited warranty. Pumps, parts, and accessories 1 year limited warranty. For further details please refer to the complete warranty section.

Due to the nature of the materials, dimensions may vary +/- .1/2".

DRAWING REQUEST MUST BE MADE FOR PACKAGE 2 DRAWING AND BULIT TO ORDER UNITS.



### A 6436 IBS MAS

PHOTOGRAPH AT LEFT ILLUSTRATES PACKAGE ONE (HANDED BY SEAT LEFT)

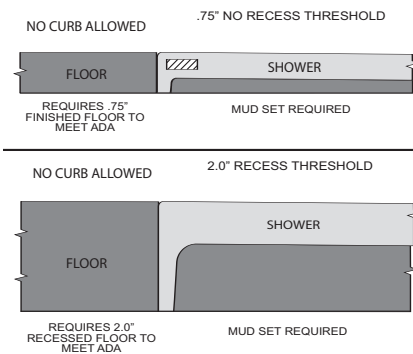
**Premium Cast Acrylic**

**Five Year Warranty**

**Primary Applications:**

- Healthcare
- College Dormitory
- Hospitality
- Schools

#### MAS Roll-In Shower Threshold Requirements:



#### 701C

rev. 09/25/07

#### A 6436 I MAS

OD: 64.5" x 36.25" x 82.75"

ID: 60" x 36" CENTER POINT

WEIGHT: 255

LOAD FACTOR: 2

**HANDED BY: SEAT L/R**



**Hamilton Bathware/Praxis Companies, LLC.**

435 Industrial Road, Savannah • Tennessee 38372 • Customer Service: 800.326.5489 • Fax: 888.246.0466 • www.hamiltonbathware.com

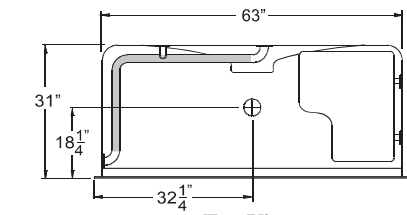
**Product Availability**  
**Hamilton Northeast**  
**XL-EXTENDED LEADTIME**

**Product Availability**  
**Hamilton Mid-America**  
**XL-EXTENDED LEADTIME**

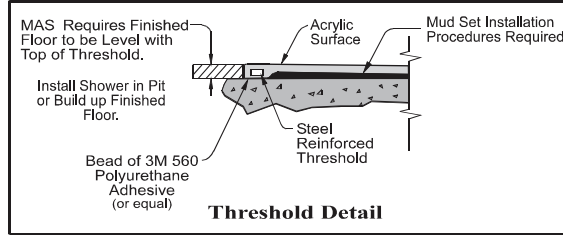
**Product Availability**  
**Hamilton South**  
**STD-STANDARD LEADTIME**

# PACKAGE ONE - MAS A 6436 IBS MAS

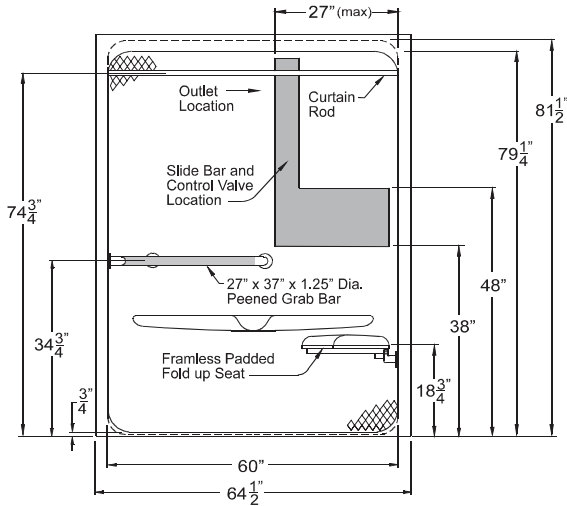
No modifications accepted (Packaged units only)



Top View

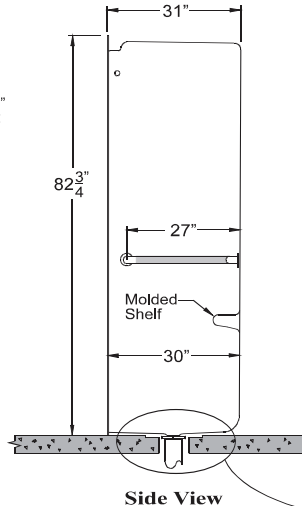


Threshold Detail



Front View

NOTE: Due to the nature of the materials, dimension may vary +/- 1/2".

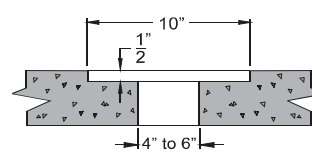


Side View

### DETAIL OF DRAIN CORE AREA

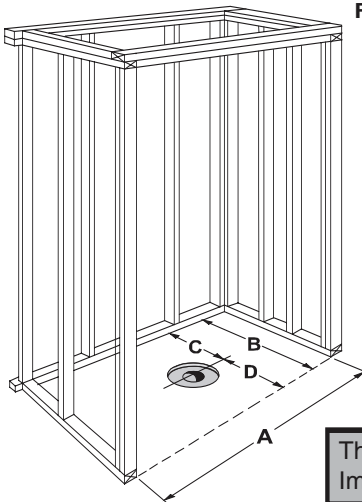
4" To 6" Diameter Drain Core Through Slab.

10" Diameter x 1/2" Deep Recess Around Core



## MAS COMPLIANCE REQUIREMENTS

For MAS compliance with seat: Installed accessories must include: L-shaped padded fold up seat, horizontal L-grab bar, pressure balancing mixing valve, hand held shower with 30" slide bar (on back wall within reach of seated user), vacuum breaker and 60" hose. Unit and accessories must be installed per MAS and Praxis guidelines.



### FRAMING DIMENSIONS

A	B	C	D
64 <sup>3</sup> / <sub>4</sub> "	36 <sup>1</sup> / <sub>4</sub> "	18"	18 <sup>1</sup> / <sub>4</sub> "

10" Diameter x 1/2" Deep Recess Around Drain Core

Unit must be installed into a recessed pit -or- build up finished floor to comply with MAS threshold guidelines.

Confirm any requested loose accessories desired by circling the items on page one.

Submittal drawing required for Prepackaged model. **NO MODIFICATIONS ACCEPTED.**

All built to order model configurations and submittal drawings must be ordered.

UPC/SKU NUMBERS Left Hand Valve: \_\_\_\_\_ Right Hand Valve: \_\_\_\_\_

This model included in the **PRAXIS QUALITY INSTALLATION ASSURANCE PROGRAM.** Important installation procedures **MUST** be followed for the fixture to be granted a warranty.

### STANDARD FEATURES

- Durable cast acrylic finish
- Low threshold entry
- Molded accessory shelf
- Integral dome
- Padded fold up seat
- Stainless steel grab bar
- Stainless steel curtain rod

### STANDARD CODES

- ANSI Z124.2
- ASTM F463
- ASTM E84
- SBCCI
- NAHB
- UPC

### MASSACHUSETTS ARCHITECTURAL ACCESS BOARD

- MAS

(when fully equipped)  
Unit configured with standard features, pressure balanced control valve and hand held shower package.

**ATTENTION PLUMBING CONTRACTOR!!!** THIS ORDER WILL NOT BE PROCESSED UNLESS THIS DOCUMENT IS SIGNED, DATED AND A CONTACT PHONE NUMBER OF THE PLUMBING CONTRACTOR IS PROVIDED. FOR ORDERS OF FOUR OR MORE UNITS, PARTICIPATION IN THE PRAXIS QUALITY INSTALLATION ASSURANCE PROGRAM IS MANDATORY FOR ACTIVATION OF PRODUCT WARRANTY.

Signed:  Date:  Contact Phone Number:

Praxis Quality Installation Assurance Program Information: Phone: (800)-759-7744 ext: 29.

Customer Service: (800)-443-7269 Fax: (731)-925-0379

# Commercial Showers & Tub Showers

## 60" Acrylic Tub Shower



Hamilton  
BATHWARE

### ADA Tub Showers ONE-PIECE DOMED ACRYLIC

**702A-** NO MODIFICATIONS TO PACKAGES. FOR BUILT TO ORDER UNIT, SELECT BASE UNIT AND ACCESSORIES.

PKG ONE-ADA/ANSI/TAS: A 6032 TS IBS		List: \$ 3016
18" Apron	SHIM	
Handed by Valve Wall L/R	WHITE PREMIUM CAST ACRYLIC	
Factory Installed Accessories (VALVE/SHOWER KIT NOT INCLUDED IN PKG1)		
S-BAR	24" X 1.5" SMOOTH SS	
S-BAR	24" X 1.5" SMOOTH SS	
S-BAR	24" X 1.5" SMOOTH SS	
S-BAR	24" X 1.5" SMOOTH SS	
S-BAR	24" X 1.5" SMOOTH SS	
ROD	1" OD 20 GAUGE SS GROMMET STYLE	
SEAT	27" X 15" WOODGRAIN PHENOLIC FOLD UP	

FOR ADA/ANSI/TAS COMPLIANCE: SEAT AT HEAD END OF TUB SHALL BE PROVIDED AND PERMANENTLY AND SECURELY MOUNTED, INSTALLED ACCESSORIES MUST INCLUDE: 24" VERTICAL GRAB BAR ON VALVE WALL, 24" GRAB BAR ON VALVE WALL, TWO 24" GRAB BARS ON BACK WALL, 12" MIN. GRAB BAR ON HEAD WALL, PRESSURE BALANCING MIXING VALVE, HAND HELD SHOWER WITH SLIDE BAR, VACUUM BREAKER AND 60" HOSE. UNIT AND ACCESSORIES INSTALLED PER ADA/ANSI/TAS AND PRAXIS INSTALLATION AND WARRANTY GUIDELINES.

### BUILD TO ORDER BASE PLUS ACCESSORIES

BASE UNIT 1: A 6032 TS I		List: \$1824
18" Apron	SHIM	
Handed by Valve Wall L/R		
Reinforced for Standard Accessories		

BASE UNIT OPTIONAL ACCESSORIES		List:
<b>FINISHES</b>		
STANDARD FINISH- PREMIUM CAST ACRYLIC: WHITE, BONE, BISCUIT		\$0
<b>GRAB BARS</b>		
S-BAR	24" X 1.5" SMOOTH SS	\$128
S-BAR	24" X 1.25" SMOOTH WHITE	\$154
<b>STANDARD SEATS (ATTACHED OR REMOVABLE)</b>		
SEAT	27" X 15" WOODGRAIN PHENOLIC FOLD UP (NOT AVAILABLE WITH 48" S-BAR)	\$481
SEAT	28" X 15" WHITE TRI FOLD REMOVABLE	\$434
<b>FACTORY MODIFICATIONS</b>		
MOD	WHIRLPOOL SYSTEM WITH 3/4 HORSE POWER AND 4 JETS	\$562
MOD	VALVE DRILLING - SPECIFY HOLE SIZE	\$56
MOD	INSTALL STANDARD SYMMONS VALVE PACKAGE	\$633
MOD	INSTALL HANS GROHE THERMOSTATIC VALVE PACKAGE (XLT)	\$501
MOD	INSTALL POWERS VALVE PACKAGE (XLT)	\$656
MOD	INSTALL 30" SLIDE BAR / HS KIT	\$411
MOD	1.5" STANDARD ROUGH (17" APRON)	\$56
<b>CURTAIN RODS</b>		
ROD	1" OD 20 GAUGE SS GROMMET STYLE	\$71
ROD	1" OD 20 GAUGE WHITE GROMMET STYLE	\$138
ROD	5'x 1" OD 20 GAUGE CHROME CURVED WITH BRACKETS	\$148
<b>FIELD INSTALLED ACCESSORIES</b>		
LOOSE	CURTAIN HEAVY DUTY 66" X 72" WHITE VINYL	\$119

ADDITIONAL ACCESSORIES AND SERVICES MAY BE AVAILABLE UPON REQUEST



### A 6032 TS IBS

PHOTOGRAPH AT LEFT ILLUSTRATES PACKAGE ONE (HANDED BY VALVE WALL RIGHT)

Premium Cast Acrylic

Five Year Warranty

Primary Applications:

- Healthcare
- College Dormitory
- Hospitality
- Schools

### WELL INFORMATION

WELL DEPTH: 12"

WELL L TO R: 48"

WELL FRONT TO BACK: 22.5"

GALLONS TO OVERFLOW: 62

SLOPE OF DRAIN: .375" per ft.

702A

rev. 09/25/07

### A 6032 TS I

OD: 60" x 33" x 84"

2.5" ABOVE FLOOR ROUGH

WEIGHT: 225

LOAD FACTOR: 1.26

HANDED BY: VALVE WALL L/R

Special Notes: This unit complies with ANSI Z124.1, ICC/ANSI A117.1, UPC, HUD,ASTM F462, ASTM E84, ADA, ABA, SBCCI, NAHB.

Warranty: Gelcoat models have a 3 year limited warranty. Acrylic models have a 5 year limited warranty. Pumps, parts, and accessories 1 year limited warranty. For further details please refer to the complete warranty section.

Due to the nature of the materials, dimensions may vary +/- 1/2".

DRAWING REQUEST MUST BE MADE FOR PACKAGE 2 DRAWING AND BUILT TO ORDER UNITS.

Hamilton Bathware/Praxis Companies, LLC.

435 Industrial Road, Savannah • Tennessee 38372 • Customer Service: 800.326.5489 • Fax: 888.246.0466 • www.hamiltonbathware.com



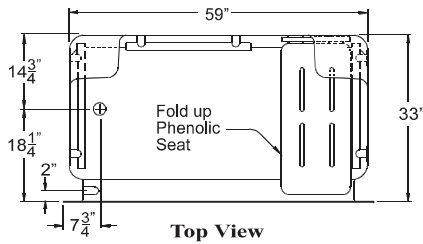
Product Availability  
Hamilton Northeast  
XLT-EXTENDED LEADTIME

Product Availability  
Hamilton Mid-America  
XLT-EXTENDED LEADTIME

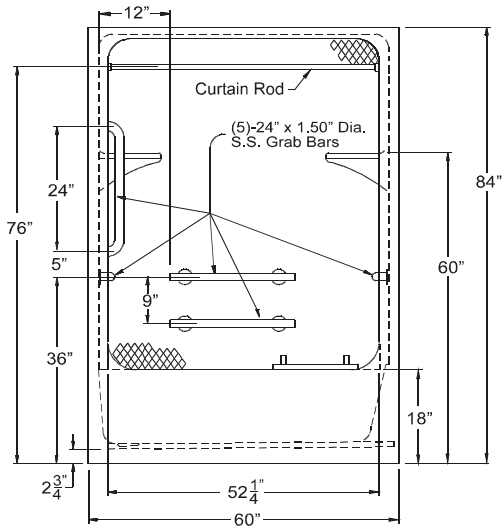
Product Availability  
Hamilton South  
STD-STANDARD LEADTIME

# PACKAGE ONE - ADA/ANSI/TAS A 6032 TS IBS

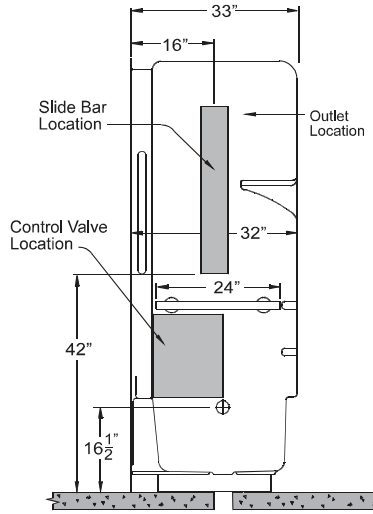
No modifications accepted (Packaged units only)



Top View



Front View

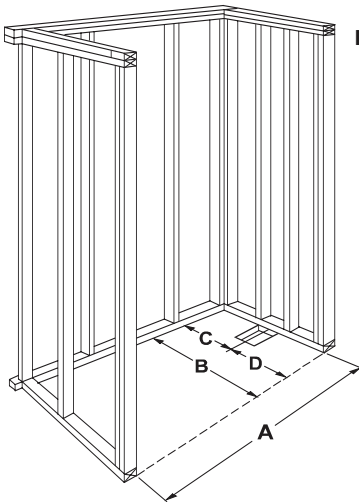


Side View

NOTE: Due to the nature of the materials, dimension may vary + - 1/2".

## ADA/TAS COMPLIANCE REQUIREMENTS

For ADA/TAS compliance: seat securely mounted at head end, one horizontal grab bar mounted on the valve wall, two horizontal grab bars mounted on the back wall, one horizontal grab bar mounted on the head wall and one vertical grab bar mounted on the valve wall near the entry. Pressure balancing mixing valve, hand held shower with slide bar, vacuum breaker and 60" hose. Unit and accessories must be installed per ADA/TAS and Praxis guidelines.



### FRAMING DIMENSIONS

A	B	C	D
60 1/4"	33"	14 3/4"	18 1/4"

6" x 6" minimum opening in floor for drain connection

### STANDARD FEATURES

- Durable acrylic finish
- One piece design
- Accessory shelves
- Phenolic fold up seat
- Stainless steel grab bars
- Stainless steel curtain rod

### STANDARD CODES

- ANSI Z124.1
- ASTM F463
- ASTM E84
- SBCCI
- NAHB
- UPC

### ADA CODES

- ICC/ANSI A117.1
- HUD/ADA
- UFAS
- TAS

(when fully equipped)  
Unit configured with standard features, pressure balanced control valve and hand held shower package.

Confirm any requested loose accessories desired by circling the items on page one. Submittal drawing required for Prepackaged model. **NO MODIFICATIONS ACCEPTED.** All built to order model configurations and submittal drawings must be ordered.

UPC/SKU NUMBERS Left Hand Valve: \_\_\_\_\_ Right Hand Valve: \_\_\_\_\_

**ATTENTION PLUMBING CONTRACTOR!!! THIS ORDER WILL NOT BE PROCESSED UNLESS THIS DOCUMENT IS SIGNED, DATED AND A CONTACT PHONE NUMBER OF THE PLUMBING CONTRACTOR IS PROVIDED.**

Signed:  Date:  Contact Phone Number:

Customer Service: (800)-443-7269 Fax: (731)-925-0379



# Commercial Showers & Tub Showers

## 60" Acrylic Tub Shower



**Hamilton**  
BATHWARE

### MAS Tub Showers ONE-PIECE DOMED ACRYLIC

<b>702B- NO MODIFICATIONS TO PACKAGES. FOR BUILT TO ORDER UNIT, SELECT BASE UNIT AND ACCESSORIES.</b>		
<b>PKG ONE-MAS: A 6032 TS IBS MAS</b>		<b>List: \$2569</b>
18" Apron	SHIM	
Handed by Valve Wall L/R	WHITE PREMIUM CAST ACRYLIC	
Factory Installed Accessories ( <b>VALVE/SHOWER KIT NOT INCLUDED IN PKG1</b> )		
S-BAR	48" X 1.25" PEENED SS	
S-BAR	48" X 1.25" PEENED SS	
SEAT	28" X 15" WHITE TRI FOLD REMOVABLE	
ROD	1" OD 20 GAUGE SS GROMMET STYLE	
<b>FOR MAS COMPLIANCE: SEAT AT HEAD END OF TUB SHALL BE PROVIDED AND SECURELY MOUNTED, INSTALLED ACCESSORIES MUST INCLUDE: TWO 48" GRAB BARS ON BACK WALL, PRESSURE BALANCING MIXING VALVE, HAND HELD SHOWER WITH SLIDE BAR, VACUUM BREAKER AND 60" HOSE. THE UNIT AND ACCESSORIES MUST BE INSTALLED PER MAS &amp; PRAXIS INSTALLATION &amp; WARRANTY GUIDELINES.</b>		
<b>BUILD TO ORDER BASE PLUS ACCESSORIES</b>		
<b>BASE UNIT 1: A 6032 TS I MAS</b>		<b>List: \$1785</b>
18" Apron	SHIM	
Handed by Valve Wall L/R		
Reinforced for Standard Accessories		
<b>BASE UNIT OPTIONAL ACCESSORIES</b>		<b>List:</b>
<b>FINISHES</b>		
STANDARD FINISH- PREMIUM CAST ACRYLIC: WHITE, BONE, BISCUIT		\$0
<b>GRAB BARS</b>		
S-BAR	48" X 1.25" PEENED SS	\$139
S-BAR	48" X 1.25" TEXTURED WHITE	\$329
<b>STANDARD SEATS (REMOVABLE)</b>		
SEAT	28" X 15" WHITE TRI FOLD REMOVABLE	\$434
<b>FACTORY MODIFICATIONS</b>		
MOD	WHIRLPOOL SYSTEM WITH 3/4 HORSE POWER AND 4 JETS	\$562
MOD	VALVE DRILLING - SPECIFY HOLE SIZE	\$56
MOD	INSTALL STANDARD SYMMONS VALVE PACKAGE	\$633
MOD	INSTALL HANS GROHE THERMOSTATIC VALVE PACKAGE (XLT)	\$501
MOD	INSTALL POWERS VALVE PACKAGE (XLT)	\$656
MOD	INSTALL 30" SLIDE BAR / HS KIT	\$411
MOD	1.5" STANDARD ROUGH (17" APRON)	\$56
<b>FIELD INSTALLED ACCESSORIES</b>		
LOOSE	CURTAIN HEAVY DUTY 66" X 72" WHITE VINYL	\$119
<b>CURTAIN RODS</b>		
ROD	1" OD 20 GAUGE SS GROMMET STYLE	\$71
ROD	1" OD 20 GAUGE WHITE GROMMET STYLE	\$138
ROD	5" x 1" OD 20 GAUGE CHROME CURVED WITH BRACKETS	\$148
<b>ADDITIONAL ACCESSORIES AND SERVICES MAY BE AVAILABLE UPON REQUEST</b>		

Special Notes: This unit complies with MAS, ANSI Z124.1, UPC, NAHB, ASTM F462, ASTM E84.

Warranty: Gelcoat models have a 3 year limited warranty. Acrylic models have a 5 year limited warranty. Pumps, parts, and accessories 1 year limited warranty. For further details please refer to the complete warranty section.

Due to the nature of the materials, dimensions may vary +/- 1/2".

DRAWING REQUEST MUST BE MADE FOR PACKAGE 2 DRAWING AND BUILT TO ORDER UNITS.



### A 6032 TS IBS MAS

PHOTOGRAPH AT LEFT ILLUSTRATES PACKAGE ONE (HANDED BY VALVE WALL RIGHT)

**Premium Cast Acrylic**

**Five Year Warranty**

**Primary Applications:**

- Healthcare
- College Dormitory
- Hospitality
- Schools
- Assisted Living

### WELL INFORMATION

WELL DEPTH: 12"
WELL L TO R: 48"
WELL FRONT TO BACK: 22.5"
GALLONS TO OVERFLOW: 62
SLOPE OF DRAIN: .375" per ft.

**702B**

rev. 09/25/07

### A 6032 TS IBS MAS

OD: 60" x 33" x 84"

2.5" ABOVE FLOOR ROUGH

WEIGHT: 225

LOAD FACTOR: 1.26

**HANDED BY: VALVE WALL L/R**



**Hamilton Bathware/Praxis Companies, LLC.**

435 Industrial Road, Savannah • Tennessee 38372 • Customer Service: 800.326.5489 • Fax: 888.246.0466 • www.hamiltonbathware.com

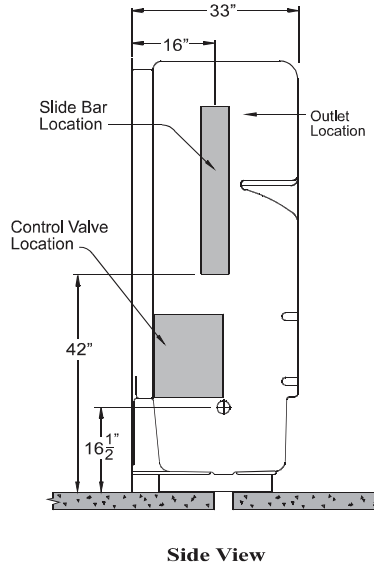
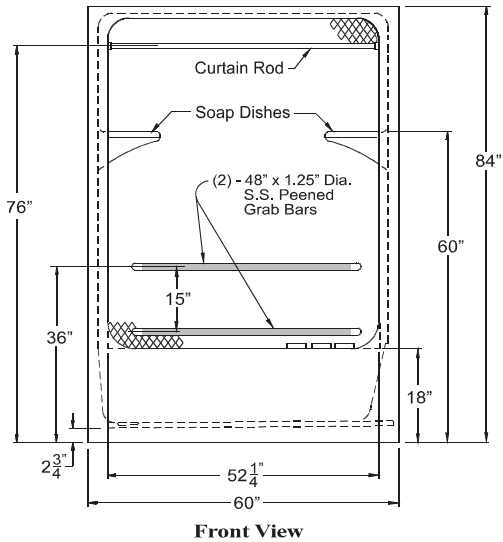
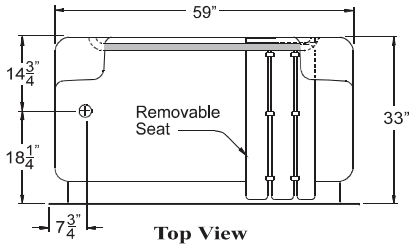
**Product Availability**  
**Hamilton Northeast**  
**XL-EXTENDED LEADTIME**

**Product Availability**  
**Hamilton Mid-America**  
**XL-EXTENDED LEADTIME**

**Product Availability**  
**Hamilton South**  
**STD-STANDARD LEADTIME**

# PACKAGE ONE - MAS S 6032 TS MAS

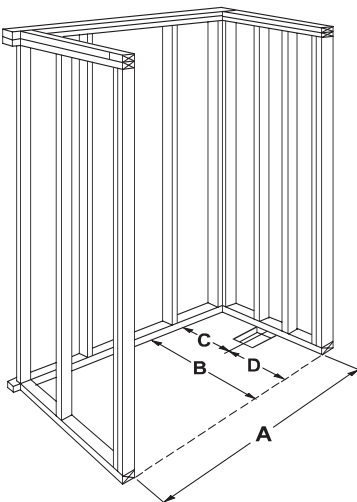
No modifications accepted (Packaged units only)



NOTE: Due to the nature of the materials, dimension may vary  $\pm$  - 1/2".

## MAS COMPLIANCE REQUIREMENTS

For MAS compliance installed accessories must include: Removable seat at head end, two peened horizontal grab bars on the back wall, pressure balancing mixing valve, hand held shower with 30" slide bar, vacuum breaker and 60" hose. Unit and accessories must be installed per MAS and Praxis guidelines.



### FRAMING DIMENSIONS

A	B	C	D
60 <sup>1</sup> / <sub>4</sub> "	33"	14 <sup>3</sup> / <sub>4</sub> "	18 <sup>1</sup> / <sub>4</sub> "

6" x 6" minimum opening in floor for drain connection

### STANDARD FEATURES

- Durable acrylic finish
- One piece design
- Accessory shelves
- Removable seat
- Stainless steel grab bars
- Stainless steel curtain rod

### STANDARD CODES

- ANSI Z124.1
- ASTM F463
- ASTM E84
- SBCCI
- NAHB
- UPC

### MASSACHUSETTS ARCHITECTURAL ACCESS BOARD

- MAS

(when fully equipped)  
Unit configured with standard features, pressure balanced control valve and hand held shower package.

Confirm any requested loose accessories desired by circling the items on page one. Submittal drawing required for Prepackaged model. **NO MODIFICATIONS ACCEPTED.** All built to order model configurations and submittal drawings must be ordered.

**UPC/SKU NUMBERS** Left Hand Valve: \_\_\_\_\_ Right Hand Valve: \_\_\_\_\_

**ATTENTION PLUMBING CONTRACTOR!!! THIS ORDER WILL NOT BE PROCESSED UNLESS THIS DOCUMENT IS SIGNED, DATED AND A CONTACT PHONE NUMBER OF THE PLUMBING CONTRACTOR IS PROVIDED.**

Signed:  Date:  Contact Phone Number:

Customer Service: (800)-443-7269 Fax: (731)-925-0379

# Commercial Showers & Tub Showers

## 41" Acrylic Shower



**Hamilton**  
BATHWARE

### ADA Transfer Showers ONE-PIECE DOMED ACRYLIC

<b>703A- NO MODIFICATIONS TO PACKAGES. FOR BUILT TO ORDER UNIT, SELECT BASE UNIT AND ACCESSORIES.</b>	
<b>PKG ONE - ADA/ANSI: A 4136 IBS</b>	<b>List: \$2874</b>
.75" NO RECESS BF THRESHOLD	MUDSET
Handed by Valve Wall L/R	WHITE PREMIUM CAST ACRYLIC
Factory Installed Accessories (VALVE/SHOWER KIT NOT INCLUDED IN PKG1)	
L-BAR	33.5" x 18" x 1.5" SMOOTH SS RADIUS
S-BAR	24" x 1.5" SMOOTH SS
SEAT	32" X 21" FRAMELESS HDPE RAD FOLD UP
ROD	1" OD 20 GAUGE SS GROMMET STYLE
<b>FOR ADA COMPLIANCE, INSTALLED ACCESSORIES MUST INCLUDE L-BAR AND VERTICAL S-BAR, L-SEAT, PRESSURE BALANCING MIXING VALVE, HAND-HELD SHOWER WITH SLIDE BAR, VACUUM BREAKER AND 60" HOSE. UNIT AND ACCESSORIES INSTALLED PER ADA/ANSI AND PRAXIS INSTALLATION &amp; WARRANTY GUIDELINES.</b>	
<b>BUILD TO ORDER BASE PLUS ACCESSORIES</b>	
<b>BASE UNIT 1: A 4136 I</b>	<b>List: \$1741</b>
SPECIFY THRESHOLD HEIGHT	MUDSET
Handed by Valve Wall L/R	
Reinforced for Standard Accessories	
<b>BASE UNIT OPTIONAL ACCESSORIES</b>	<b>List:</b>
<b>FINISHES</b>	
STANDARD FINISH- PREMIUM CAST ACRYLIC: WHITE, BONE, BISCUIT	\$0
<b>GRAB BARS</b>	
S-BAR	24" x 1.5" SMOOTH SS \$128
S-BAR	24" x 1.25" SMOOTH WHITE CC \$154
L-BAR	33.5" x 18" x 1.5" SMOOTH SS RADIUS \$198
L-BAR	33.5" x 18" x 1.25" SMOOTH WHITE RADIUS \$343
<b>INSIDE CURTAIN LINE SEATS (REVISED ADA-ABA 2004)</b>	
SEAT	32" X 21" FRAMELESS WHITE HDPE RAD FOLD UP \$747
SEAT	32" X 21" FRAMELESS WHITE PADDED RAD FOLD UP \$747
SEAT	32" X 21" FRAMELESS WOODGRAIN PHENOLIC RAD FOLD UP \$747
SEAT	32" X 14.5" PADDED W/LEGS (Bariatrics) \$1281
SEAT	ACRYLIC MOLDED SEAT \$100
<b>FACTORY MODIFICATIONS</b>	
MOD	VALVE DRILLING - SPECIFY HOLE SIZE \$56
MOD	.75" NO RECESS BF THRESHOLD \$111
MOD	2" BF THRESHOLD \$0
MOD	ARMORSHIELD P3 PROTECTION \$149
MOD	INSTALL 30" SLIDE BAR / HS KIT \$411
MOD	INSTALL STANDARD SYMMONS VALVE PACKAGE \$633
MOD	INSTALL HANS GROHE THERMOSTATIC VALVE PACKAGE (XLT) \$501
MOD	INSTALL POWERS VALVE PACKAGE (XLT) \$656
MOD	RECESSED RECEIVER FLANGE-WILL ADD 2" TO OVERALL PRODUCT WIDTH \$222
<b>CURTAIN RODS</b>	
ROD	1" OD 20 GAUGE SS GROMMET STYLE \$71
ROD	1" OD 20 GAUGE WHITE GROMMET STYLE \$138
<b>FIELD INSTALLED ACCESSORIES</b>	
LOOSE	CURTAIN PREMIUM 42" X 72" WHITE NYLON WTD \$118
LOOSE	CURTAIN HEAVY DUTY 42" X 72" WHITE VINYL WTD \$96
<b>ADDITIONAL ACCESSORIES AND SERVICES MAY BE AVAILABLE UPON REQUEST</b>	



### A 4136 IBS

PHOTOGRAPH AT LEFT ILLUSTRATES PACKAGE ONE (HANDED BY VALVE WALL LEFT)

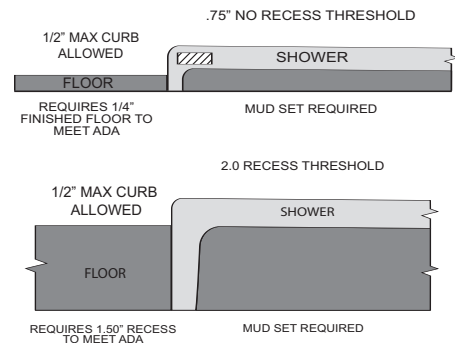
**Premium Cast Acrylic**

**Five Year Warranty**

#### Primary Applications:

- Healthcare
- College Dormitory
- Hospitality
- Schools
- Public Buildings

#### ADA Transfer Shower Threshold Requirements:



**703A**

rev. 09/25/07

### A 4136 I

OD: 41.25" x 36.25" x 82.75"

ID: 36" X 36" CENTER POINT

WEIGHT: 160

LOAD FACTOR: 1.06

**HANDED BY: VALVE WALL L/R**

Special Notes: This unit complies with ANSI Z124.2, ICC/ANSI A117.1, ASTM F463, ASTM E84, UPC, HUD, ADA, ABA, SBCCI, NAHB.

Warranty: Gelcoat models have a 3 year limited warranty. Acrylic models have a 5 year limited warranty. Pumps, parts, and accessories 1 year limited warranty. For further details please refer to the complete warranty section.

Due to the nature of the materials, dimensions may vary +/- 1/2".

DRAWING REQUEST MUST BE MADE FOR PACKAGE 2 DRAWING AND BUILT TO ORDER UNITS.



### Hamilton Bathware/Praxis Companies, LLC.

435 Industrial Road, Savannah • Tennessee 38372 • Customer Service: 800.326.5489 • Fax: 888.246.0466 • www.hamiltonbathware.com

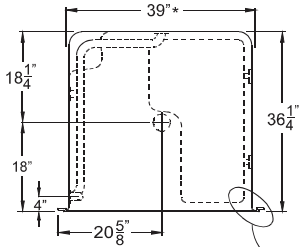
**Product Availability**  
**Hamilton Northeast**  
**XL-EXTENDED LEADTIME**

**Product Availability**  
**Hamilton Mid-America**  
**XL-EXTENDED LEADTIME**

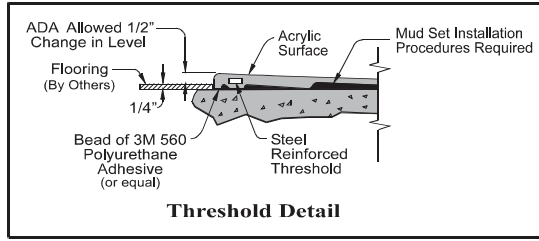
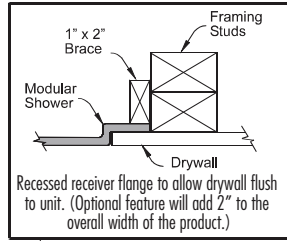
**Product Availability**  
**Hamilton South**  
**STD-STANDARD LEADTIME**

# PACKAGE ONE - ADA/ANSI A 4136 IBS

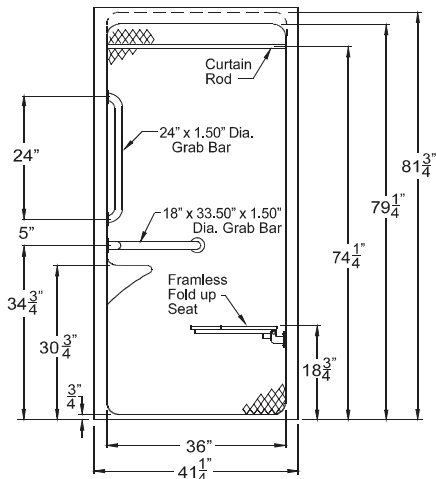
No modifications accepted (Packaged units only)



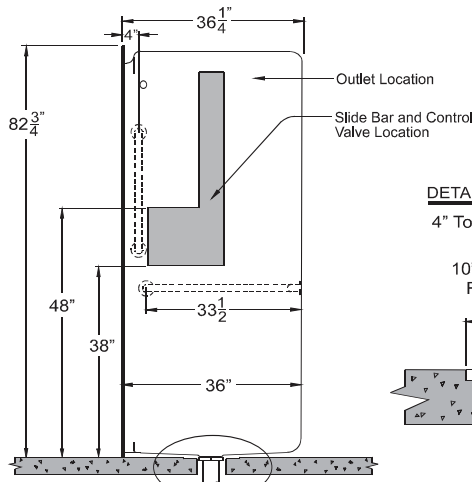
Top View



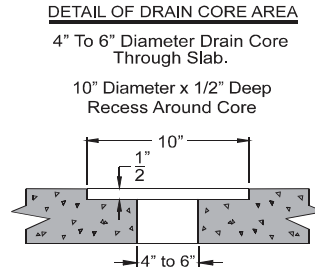
Threshold Detail



Front View



Side View

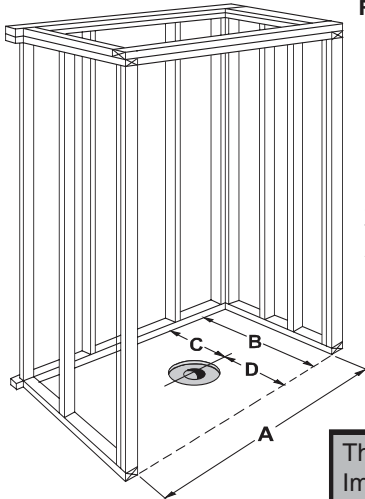


NOTE: Due to the nature of the materials, dimension may vary + - 1/2".

\* For Bolt Clearance - Factory Installed Components

## ADA COMPLIANCE REQUIREMENTS

For ADA compliance, unit must be configured with L-shaped fold up seat, horizontal L-grab bar, vertical grab bar near the entry, pressure balancing mixing valve, hand held shower with slide bar, vacuum breaker and 60" hose. Unit must be installed so threshold is no more than 1/2" above the finished floor. Unit and accessories must be installed per ADA and Praxis guidelines.



### FRAMING DIMENSIONS

A*	B	C	D
41 1/2"	36 1/4"	18 1/4"	18"

10" Diameter x 1/2" Deep Recess Around Drain Core

Unit must be installed into a recessed pit -or- build up finished floor to comply with ADA threshold guidelines.

### STANDARD FEATURES

- Durable cast acrylic finish
- Low threshold entry
- Corner accessory shelf
- Integral dome
- HDPE fold up seat
- Stainless steel grab bars
- Stainless steel curtain rod

### STANDARD CODES

- ANSI Z124.2
- ASTM F463
- ASTM E84
- SBCCI
- NAHB
- UPC

### ADA CODES

- ICC/ANSI A117.1
- HUD/ADA
- UFAS

(when fully equipped)  
Unit configured with standard features, pressure balanced control valve and hand held shower package.

Confirm any requested loose accessories desired by circling the items on page one.

Submittal drawing required for Prepackaged model. **NO MODIFICATIONS ACCEPTED.**

All built to order model configurations and submittal drawings must be ordered.

\*With optional recess receiver flange, add 2"

This model included in the **PRAXIS QUALITY INSTALLATION ASSURANCE PROGRAM.** Important installation procedures **MUST** be followed for the fixture to be granted a warranty.

**ATTENTION PLUMBING CONTRACTOR!!! THIS ORDER WILL NOT BE PROCESSED UNLESS THIS DOCUMENT IS SIGNED, DATED AND A CONTACT PHONE NUMBER OF THE PLUMBING CONTRACTOR IS PROVIDED. FOR ORDERS OF FOUR OR MORE UNITS, PARTICIPATION IN THE PRAXIS QUALITY INSTALLATION ASSURANCE PROGRAM IS MANDATORY FOR ACTIVATION OF PRODUCT WARRANTY.**

Signed:  Date:  Contact Phone Number:

Praxis Quality Installation Assurance Program Information: Phone: (800)-759-7744 ext: 29.

Customer Service: (800)-443-7269 Fax: (731)-925-0379

# Commercial Showers & Tub Showers

## 41" Acrylic Shower



**Hamilton**  
BATHWARE

### TAS Transfer Showers ONE-PIECE DOMED ACRYLIC

<b>703B- NO MODIFICATIONS TO PACKAGES. FOR BUILT TO ORDER UNIT, SELECT BASE UNIT AND ACCESSORIES.</b>		
<b>PKG ONE - TAS: A 4136 IBS TAS</b>		<b>List: \$2861</b>
.75" NO RECESS BF THRESHOLD MUDSET		
Handed by Valve Wall L/R WHITE PREMIUM CAST ACRYLIC		
Factory Installed Accessories (VALVE/SHOWER KIT NOT INCLUDED IN PKG1)		
L-BAR	33.5" x 18" x 1.5" SMOOTH SS RADIUS	
S-BAR	24" x 1.5" SMOOTH SS	
SEAT	34.5" X 21" FRAMELESS WHITE HDPE RAD FOLD UP	
ROD	1" OD 20 GAUGE SS GROMMET STYLE	
FOR TAS COMPLIANCE, UNIT REQUIRES RETURN RECEIVER FLANGE TO MEET OPEN FLOOR SPACE AND UNOBSTRUCTED TRANSFER; AND INSTALLED ACCESSORIES MUST INCLUDE L-BAR AND VERTICAL S-BAR, 34.5" L-SEAT, PRESSURE BALANCING MIXING VALVE, HAND-HELD SHOWER WITH SLIDE BAR, VACUUM BREAKER AND 60" HOSE. UNIT AND ACCESSORIES INSTALLED PER TAS AND PRAXIS INSTALLATION & WARRANTY GUIDELINES.		
<b>BUILD TO ORDER BASE PLUS ACCESSORIES</b>		
<b>BASE UNIT 1: A 4136 I TAS</b>		<b>List: \$1729</b>
SPECIFY THRESHOLD HEIGHT MUDSET		
Handed by Valve Wall L/R		
Reinforced for Standard Accessories		
<b>BASE UNIT OPTIONAL ACCESSORIES</b>		<b>List:</b>
<b>FINISHES</b>		
STANDARD FINISH- PREMIUM CAST ACRYLIC: WHITE, BONE, BISCUIT		\$0
<b>GRAB BARS</b>		
S-BAR	24" x 1.5" SMOOTH SS	\$117
S-BAR	24" x 1.25" SMOOTH WHITE CC	\$154
L-BAR	33.5" x 18" x 1.5" SMOOTH SS RADIUS	\$198
L-BAR	33.5" x 18" x 1.25" SMOOTH WHITE RADIUS	\$343
<b>FULL DEPTH OF STALL SEATS (ADAAG 1991-2002)</b>		
SEAT	34.5" X 21" FRAMELESS WHITE HDPE RAD FOLD UP	\$747
SEAT	34.5" X 21" FRAMELESS WHITE PADDED RAD FOLD UP	\$747
SEAT	34.5" X 21" FRAMELESS WOODGRAIN PHENOLIC RAD FOLD UP	\$747
<b>FACTORY MODIFICATIONS</b>		
MOD	VALVE DRILLING - SPECIFY HOLE SIZE	\$56
MOD	.75" NO RECESS BF THRESHOLD	\$111
MOD	2" BF THRESHOLD	\$0
MOD	ARMORSHIELD P3 PROTECTION	\$149
MOD	INSTALL 30" SLIDE BAR / HS KIT	\$411
MOD	INSTALL STANDARD SYMMONS VALVE PACKAGE	\$633
MOD	INSTALL HANS GROHE THERMOSTATIC VALVE PACKAGE (XLT)	\$501
MOD	INSTALL POWERS VALVE PACKAGE (XLT)	\$656
MOD	RECESSED RECEIVER FLANGE-WILL ADD 2" TO OVERALL PRODUCT WIDTH	\$222
<b>CURTAIN RODS</b>		
ROD	1" OD 20 GAUGE SS GROMMET STYLE	\$71
ROD	1" OD 20 GAUGE WHITE GROMMET STYLE	\$138
<b>FIELD INSTALLED ACCESSORIES</b>		
LOOSE	CURTAIN PREMIUM 42" X 72" WHITE NYLON WTD	\$118
LOOSE	CURTAIN HEAVY DUTY 42" X 72" WHITE VINYL WTD	\$96
<b>ADDITIONAL ACCESSORIES AND SERVICES MAY BE AVAILABLE UPON REQUEST</b>		



### A 4136 IBS TAS

PHOTOGRAPH AT LEFT ILLUSTRATES PACKAGE ONE (HANDED BY VALVE WALL LEFT)

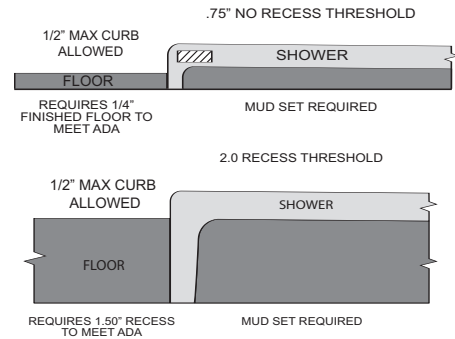
**Premium Cast Acrylic**

**Five Year Warranty**

**Primary Applications:**

- Healthcare
- College Dormitory
- Hospitality
- Schools
- Public Buildings

ADA Transfer Shower Threshold Requirements:



**703B**

rev. 09/25/07

### A 4136 I TAS

OD: 41.25" x 36.25" x 82.75"

ID: 36" X 36" CENTER POINT

WEIGHT: 160

LOAD FACTOR: 1.06

**HANDED BY: VALVE WALL L/R**

Special Notes: This unit complies with TAS, ANSI Z124.2, ICC/ANSI A117.1, UPC, HUD, ASTM F462, ASTM E84, ADA, ABA, BOCA, SBCCI, NAHB

Warranty: Gelcoat models have a 3 year limited warranty. Acrylic models have a 5 year limited warranty. Pumps, parts, and accessories 1 year limited warranty. For further details please refer to the complete warranty section.

Due to the nature of the materials, dimensions may vary +/- 1/2".

DRAWING REQUEST MUST BE MADE FOR PACKAGE 2 DRAWING AND BUILT TO ORDER UNITS.



**Hamilton Bathware/Praxis Companies, LLC.**

435 Industrial Road, Savannah • Tennessee 38372 • Customer Service: 800.326.5489 • Fax: 888.246.0466 • www.hamiltonbathware.com

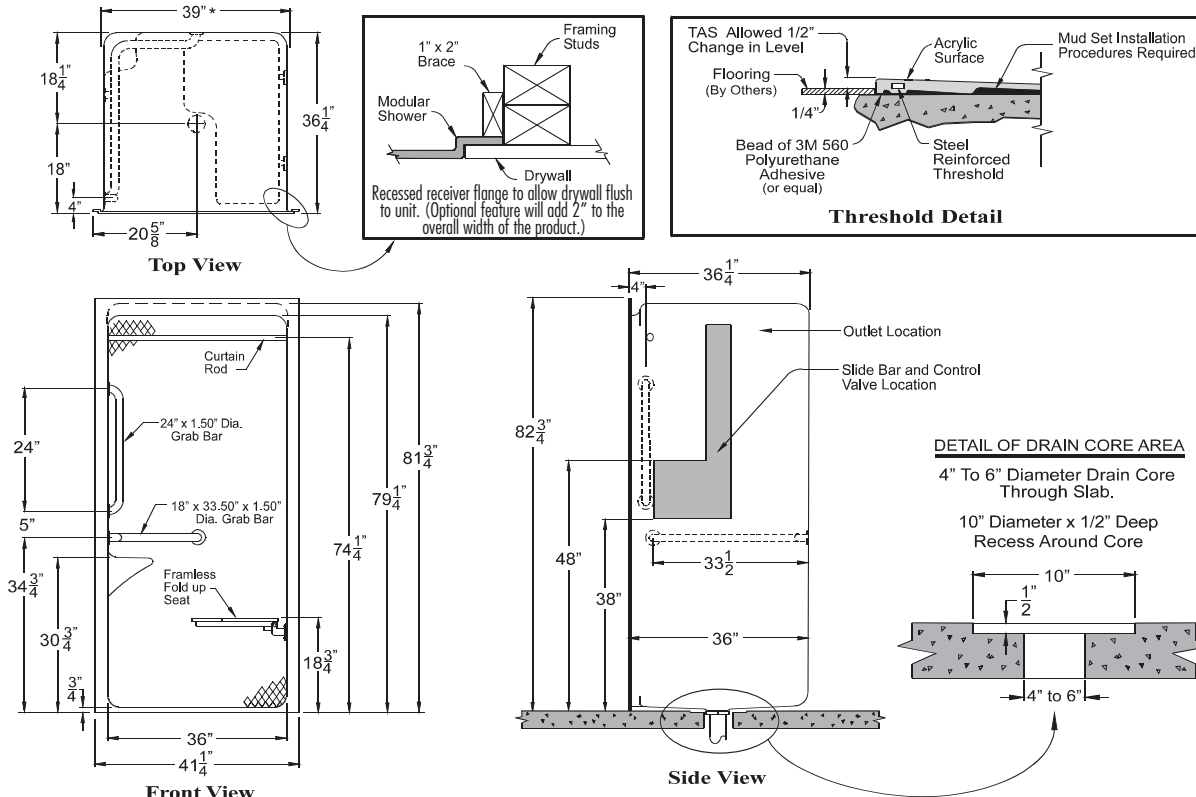
**Product Availability**  
**Hamilton Northeast**  
**XL-EXTENDED LEADTIME**

**Product Availability**  
**Hamilton Mid-America**  
**XL-EXTENDED LEADTIME**

**Product Availability**  
**Hamilton South**  
**STD-STANDARD LEADTIME**

# PACKAGE ONE - TAS/ANSI A 4136 IBS TAS

No modifications accepted (Packaged units only)

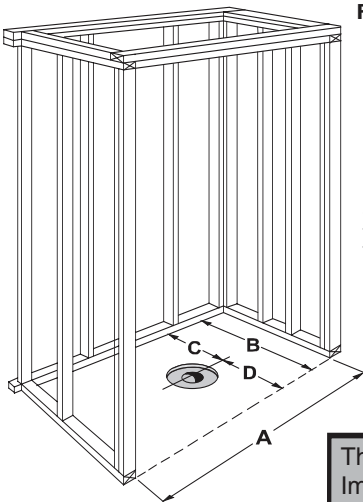


NOTE: Due to the nature of the materials, dimension may vary +/- 1/2".

\* For Bolt Clearance - Factory Installed Components

## TAS/ANSI COMPLIANCE REQUIREMENTS

For TAS/ANSI compliance, unit requires return receiver flange to meet open floor space and unobstructed transfer. Installed accessories must include L-grab bar and vertical S-grab bar, L-shaped fold up seat, pressure balancing mixing valve, hand-held shower with slide bar, vacuum breaker and 60" hose. Unit must be installed so threshold is no more than 1/2" above the finished floor. Unit and accessories must be installed per TAS/ANSI and Praxis Guidelines.



### FRAMING DIMENSIONS

A*	B	C	D
41 1/2"	36 1/4"	18 1/4"	18"

10" Diameter x 1/2" Deep Recess Around Drain Core

Unit must be installed into a recessed pit -or- build up finished floor to comply with TAS threshold guidelines.

### STANDARD FEATURES

- Durable cast acrylic finish
- Low threshold entry
- Corner accessory shelf
- Integral dome
- Molded receiver flange
- HDPE fold up seat
- Stainless steel grab bars
- Stainless steel curtain rod

### STANDARD CODES

- ANSI Z124.2
- ASTM F463
- ASTM E84
- SBCCI
- NAHB
- UPC

### TEXAS ACCESSIBILITY STANDARD CODE

- TAS
- ICC/ANSI A117.1
- HUD/ADA
- UFAS

(when fully equipped)  
Unit configured with standard features, pressure balanced control valve and hand held shower package.

Confirm any requested loose accessories desired by circling the items on page one. Submittal drawing required for Prepackaged model. **NO MODIFICATIONS ACCEPTED.**

All built to order model configurations and submittal drawings must be ordered.

\*With optional recess receiver flange, add 2"

This model included in the **PRAXIS QUALITY INSTALLATION ASSURANCE PROGRAM.** Important installation procedures **MUST** be followed for the fixture to be granted a warranty.

**ATTENTION PLUMBING CONTRACTOR!!! THIS ORDER WILL NOT BE PROCESSED UNLESS THIS DOCUMENT IS SIGNED, DATED AND A CONTACT PHONE NUMBER OF THE PLUMBING CONTRACTOR IS PROVIDED. FOR ORDERS OF FOUR OR MORE UNITS, PARTICIPATION IN THE PRAXIS QUALITY INSTALLATION ASSURANCE PROGRAM IS MANDATORY FOR ACTIVATION OF PRODUCT WARRANTY.**

Signed:  Date:  Contact Phone Number:

Praxis Quality Installation Assurance Program Information: Phone: (800)-759-7744 ext: 29.

Customer Service: (800)-443-7269 Fax: (731)-925-0379

# Commercial Showers & Tub Showers

## 41" Acrylic Shower



**Hamilton**  
BATHWARE

### MAS Transfer Showers ONE-PIECE DOMED ACRYLIC

<b>703C- NO MODIFICATIONS TO PACKAGES. FOR BUILT TO ORDER UNIT, SELECT BASE UNIT AND ACCESSORIES.</b>		
<b>PKG ONE - MAS: A 4136 IBS MAS</b>		<b>List: \$2701</b>
.75" NO RECESS BF THRESHOLD	MUDSET	
Handed by Valve Wall L/R	WHITE PREMIUM CAST ACRYLIC	
Factory Installed Accessories (VALVE/SHOWER KIT NOT INCLUDED IN PKG1)		
L-BAR	33.5" x 18" x 1.25" PEENED SS RADIUS	
SEAT	32" X 21" FRAMELESS WHITE PADDED RAD FOLD UP	
ROD	1" OD 20 GAUGE SS GROMMET STYLE	
FOR MAS COMPLIANCE, INSTALLED ACCESSORIES MUST INCLUDE PEENED OR TEXTURED L-BAR, PADDED L-SEAT, PRESSURE BALANCING MIXING VALVE, HAND-HELD SHOWER WITH SLIDE BAR, VACUUM BREAKER AND 60" HOSE. UNIT AND ACCESSORIES INSTALLED PER MAS AND PRAXIS INSTALLATION & WARRANTY GUIDELINES.		
<b>BUILD TO ORDER BASE PLUS ACCESSORIES</b>		
<b>BASE UNIT 1: A 4136 I MAS</b>		<b>List: \$1715</b>
SPECIFY THRESHOLD HEIGHT	MUDSET	
Handed by Valve Wall L/R		
Reinforced for Standard Accessories		
<b>BASE UNIT OPTIONAL ACCESSORIES</b>		<b>List:</b>
<b>FINISHES</b>		
STANDARD FINISH- PREMIUM CAST ACRYLIC: WHITE, BONE, BISCUIT		\$0
<b>GRAB BARS</b>		
L-BAR	33.5" x 18" x 1.25" PEENED SS RADIUS	\$168
L-BAR	33.5" x 18" x 1.25" TEXTURED WHITE RADIUS	\$349
<b>INSIDE CURTAIN LINE SEATS (REVISED ADA-ABA 2004)</b>		
SEAT	32" X 21" FRAMELESS WHITE PADDED RAD FOLD UP	\$747
SEAT	32" X 14.5" WHITE PADDED W/LEGS	\$1281
<b>FACTORY MODIFICATIONS</b>		
MOD	VALVE DRILLING - SPECIFY HOLE SIZE	\$56
MOD	.75" NO RECESS BF THRESHOLD	\$111
MOD	2" BF THRESHOLD	\$0
MOD	ARMORSHIELD P3 PROTECTION	\$149
MOD	INSTALL 30" SLIDE BAR / HS KIT	\$411
MOD	INSTALL STANDARD SYMMONS VALVE PACKAGE	\$633
MOD	INSTALL HANS GROHE THERMOSTATIC VALVE PACKAGE (XLT)	\$501
MOD	INSTALL POWERS VALVE PACKAGE (XLT)	\$656
MOD	RECESSED RECEIVER FLANGE-WILL ADD 2" TO OVERALL PRODUCT WIDTH	\$222
<b>CURTAIN RODS</b>		
ROD	1" OD 20 GAUGE SS GROMMET STYLE	\$71
ROD	1" OD 20 GAUGE WHITE GROMMET STYLE	\$138
<b>FIELD INSTALLED ACCESSORIES</b>		
LOOSE	CURTAIN PREMIUM 42" X 72" WHITE NYLON WTD	\$118
LOOSE	CURTAIN HEAVY DUTY 42" X 72" WHITE VINYL WTD	\$96
<b>ADDITIONAL ACCESSORIES AND SERVICES MAY BE AVAILABLE UPON REQUEST</b>		



### A 4136 IBS MAS

PHOTOGRAPH AT LEFT ILLUSTRATES PACKAGE ONE (HANDED BY VALVE WALL LEFT)

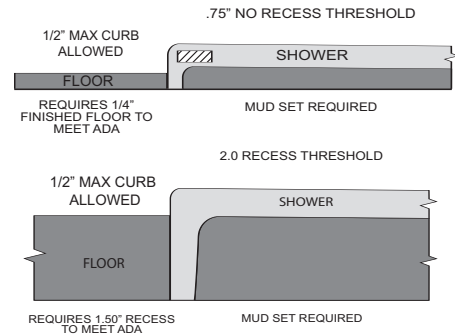
**Premium Cast Acrylic**

**Five Year Warranty**

#### Primary Applications:

- Healthcare
- College Dormitory
- Hospitality
- Schools
- Public Buildings

#### MAS Transfer Shower Threshold Requirements:



**703C**

rev. 09/25/07

### A 4136 I MAS

OD: 41.25" x 36.25" x 82.75"

ID: 36" X 36" CENTER POINT

WEIGHT: 160

LOAD FACTOR: 1.06

**HANDED BY: VALVE WALL L/R**

Special Notes: This unit complies with MAS, ANSI Z124.2, NAHB, UPC, ASTM F462, ASTM E84.

Warranty: Gelcoat models have a 3 year limited warranty. Acrylic models have a 5 year limited warranty. Pumps, parts, and accessories 1 year limited warranty. For further details please refer to the complete warranty section.

Due to the nature of the materials, dimensions may vary +/- 1/2".

DRAWING REQUEST MUST BE MADE FOR PACKAGE 2 DRAWING AND BUILT TO ORDER UNITS.



### Hamilton Bathware/Praxis Companies, LLC.

435 Industrial Road, Savannah • Tennessee 38372 • Customer Service: 800.326.5489 • Fax: 888.246.0466 • www.hamiltonbathware.com

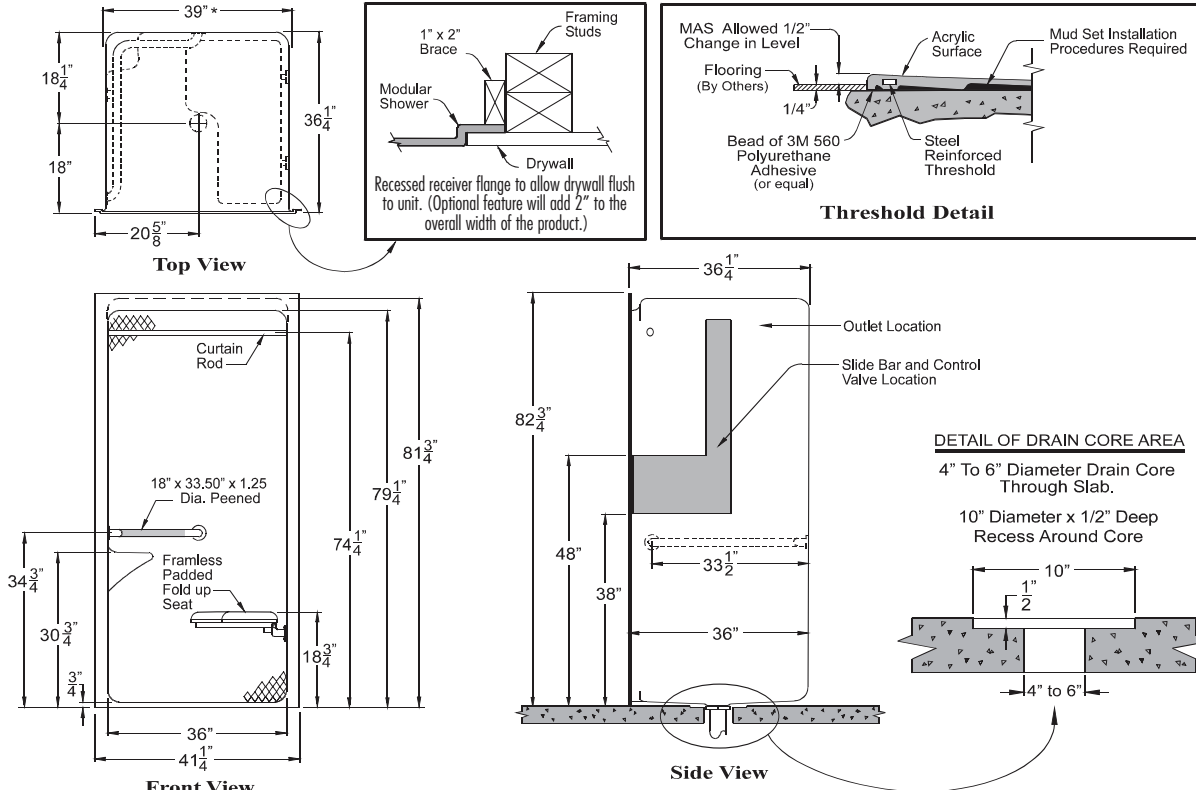
**Product Availability**  
**Hamilton Northeast**  
**XL-EXTENDED LEADTIME**

**Product Availability**  
**Hamilton Mid-America**  
**XL-EXTENDED LEADTIME**

**Product Availability**  
**Hamilton South**  
**STD-STANDARD LEADTIME**

# PACKAGE ONE - MAS A 4136 IBS MAS

No modifications accepted (Packaged units only)

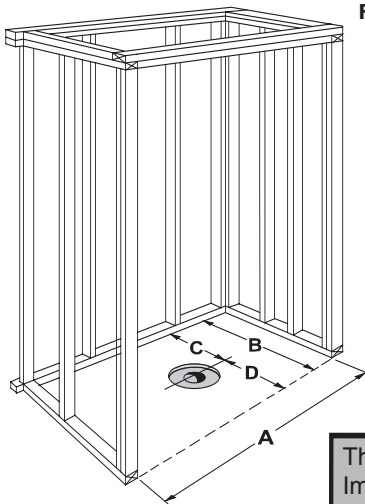


NOTE: Due to the nature of the materials, dimension may vary +/- 1/2".

\* For Bolt Clearance - Factory Installed Components

## MAS COMPLIANCE REQUIREMENTS

For MAS compliance, installed accessories must include peened L-grab bar, padded fold up seat, pressure balancing mixing valve, hand-held shower with 30" slide bar, vacuum breaker and 60" hose. Unit must be installed so threshold is no more than 1/2" above the finished floor. Unit and accessories must be installed per MAS and Praxis Guidelines.



### FRAMING DIMENSIONS

A*	B	C	D
41 1/2"	36 1/4"	18 1/4"	18"

10" Diameter x 1/2" Deep Recess Around Drain Core

Unit must be installed into a recessed pit -or- build up finished floor to comply with MAS threshold guidelines.

### STANDARD FEATURES

- Durable cast acrylic finish
- Low threshold entry
- Corner accessory shelf
- Integral dome
- Padded fold up seat
- Stainless steel grab bars
- Stainless steel curtain rod

### STANDARD CODES

- ANSI Z124.2
- ASTM F463
- ASTM E84
- SBCCI
- NAHB
- UPC

### MASSACHUSETTS ARCHITECTURAL ACCESS BOARD

- MAS

(when fully equipped)  
Unit configured with standard features, pressure balanced control valve and hand held shower package.

Confirm any requested loose accessories desired by circling the items on page one. Submittal drawing required for Prepackaged model. **NO MODIFICATIONS ACCEPTED.**

All built to order model configurations and submittal drawings must be ordered.

\*With optional recess receiver flange, add 2"

This model included in the **PRAXIS QUALITY INSTALLATION ASSURANCE PROGRAM.** Important installation procedures **MUST** be followed for the fixture to be granted a warranty.

**ATTENTION PLUMBING CONTRACTOR!!! THIS ORDER WILL NOT BE PROCESSED UNLESS THIS DOCUMENT IS SIGNED, DATED AND A CONTACT PHONE NUMBER OF THE PLUMBING CONTRACTOR IS PROVIDED. FOR ORDERS OF FOUR OR MORE UNITS, PARTICIPATION IN THE PRAXIS QUALITY INSTALLATION ASSURANCE PROGRAM IS MANDATORY FOR ACTIVATION OF PRODUCT WARRANTY.**

Signed:  Date:  Contact Phone Number:

Praxis Quality Installation Assurance Program Information: Phone: (800)-759-7744 ext: 29.

Customer Service: (800)-443-7269 Fax: (731)-925-0379



# Commercial Showers & Tub Showers

## 60" Gelcoat Tub Shower



Hamilton  
BATHWARE

### ADA Tub Showers ONE-PIECE OPEN TOP GELCOAT

**704A-** NO MODIFICATIONS TO PACKAGES. FOR BUILT TO ORDER UNIT, SELECT BASE UNIT AND ACCESSORIES.

PKG ONE-ADA/ANSI/TAS: G 6092 TS IBS		List: \$1945
18" APRON	SHIM	
HANDED BY VALVE WALL L/R	WHITE POLYESTER GELCOAT FINISH	
Factory Installed Accessories (VALVE/SHOWER KIT NOT INCLUDED IN PKG1)		
S-BAR	24" X 1.5" SMOOTH SS	
S-BAR	24" X 1.5" SMOOTH SS	
S-BAR	24" X 1.5" SMOOTH SS	
S-BAR	24" X 1.5" SMOOTH SS	
S-BAR	24" X 1.5" SMOOTH SS	
SEAT	27" X 15" WOODGRAIN PHENOLIC FOLD UP	

FOR ADA/ANSI/TAS COMPLIANCE: SEAT AT HEAD END OF TUB SHALL BE PROVIDED AND PERMANENTLY AND SECURELY MOUNTED, INSTALLED ACCESSORIES MUST INCLUDE: 24" VERTICAL GRAB BAR ON VALVE WALL, 24" GRAB BAR ON VALVE WALL, TWO 24" GRAB BARS ON BACK WALL, 12" MIN. GRAB BAR ON HEAD WALL, PRESSURE BALANCING MIXING VALVE, HAND HELD SHOWER WITH SLIDE BAR, VACUUM BREAKER AND 60" HOSE. THE UNIT AND ACCESSORIES MUST BE INSTALLED PER ADA/ANSI/TAS AND PRAXIS INSTALLATION AND WARRANTY GUIDELINES.

### BUILD TO ORDER BASE PLUS ACCESSORIES

BASE UNIT 1: G 6092 TS I		List: \$824
18" APRON	SHIM	
Handed by Valve Wall L/R		
Reinforced for Standard Accessories		

### BASE UNIT OPTIONAL ACCESSORIES

FINISHES		List:
STANDARD FINISH- POLYESTER GELCOAT FINISH: WHITE, BONE, BISCUIT		\$0
<b>GRAB BARS</b>		
S-BAR	24" X 1.5" SMOOTH SS	\$128
S-BAR	24" X 1.25" SMOOTH WHITE	\$154
<b>STANDARD SEATS (ATTACHED OR REMOVABLE)</b>		
SEAT	27" X 15" WOODGRAIN PHENOLIC FOLD UP ATTACHED	\$481
SEAT	28" X 15" WHITE TRI FOLD REMOVABLE	\$434

### FACTORY MODIFICATIONS

MOD	WHIRLPOOL SYSTEM WITH 3/4 HORSE POWER AND 4 JETS	\$562
MOD	VALVE DRILLING - SPECIFY HOLE SIZE	\$56
MOD	INSTALL STANDARD SYMMONS VALVE PACKAGE	\$633
MOD	INSTALL HANS GROHE THERMOSTATIC VALVE PACKAGE (XLT)	\$501
MOD	INSTALL POWERS VALVE PACKAGE (XLT)	\$656
MOD	INSTALL 30" SLIDE BAR / HS KIT	\$411
MOD	ARMORSHIELD P3 PROTECTION	\$149
MOD	TUBGUARD P3 PROTECTION 60" TUB SHOWER	\$86
MOD	2" STANDARD ROUGH (17" APRON)	\$56

### CURTAIN RODS

ROD	CURTAIN ROD U CUP HOLDER PAIR	\$14
ROD	1" OD 20 GAUGE SS	\$71
ROD	1" OD 20 GAUGE WHITE	\$138

### FIELD INSTALLED ACCESSORIES

LOOSE	CURTAIN HEAVY DUTY 66" X 72" WHITE VINYL	\$119
LOOSE	TUBGUARD P3 PRO FIELD INST - STANDARD 60" TUB SHOWER	\$89

ADDITIONAL ACCESSORIES AND SERVICES MAY BE AVAILABLE UPON REQUEST



### G 6092 TS IBS

PHOTOGRAPH AT LEFT ILLUSTRATES PACKAGE ONE (HANDED BY VALVE WALL LEFT)

**Sanitary Grade Polyester Gelcoat  
Three Year Warranty**

### Primary Applications:

- Healthcare
- College Dormitory
- Hospitality
- Schools
- Assisted Living

### WELL INFORMATION

WELL DEPTH: 11.25"
WELL L TO R: 48"
WELL FRONT TO BACK: 22.5"
GALLONS TO OVERFLOW: 58
SLOPE OF DRAIN: .375" per ft.

704A

rev. 09/25/07

### G 6092 TS I

OD: 60" x 32.25" x 77.5"  
3" ABOVE FLOOR ROUGH

WEIGHT: 170

LOAD FACTOR: 1.13

HANDED BY: VALVE WALL L/R



Special Notes: This unit complies with ANSI Z124.1, ICC/ANSI A117.1, UPC, HUD, ASTM F462, ASTM E84, ADA, ABA, SBCCI, NAHB, UFAS.  
Warranty: Gelcoat models have a 3 year limited warranty. Acrylic models have a 5 year limited warranty. Pumps, parts, and accessories 1 year limited warranty.  
For further details please refer to the complete warranty section. Due to the nature of the materials, dimensions may vary +/- 1/2".  
DRAWING REQUEST MUST BE MADE FOR PACKAGE 2 DRAWING AND BUILT TO ORDER UNITS.

### Hamilton Bathware/Praxis Companies, LLC.

435 Industrial Road, Savannah • Tennessee 38372 • Customer Service: 800.326.5489 • Fax: 888.246.0466 • www.hamiltonbathware.com

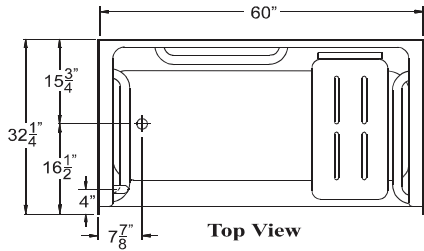
Product Availability  
Hamilton Northeast  
NA-NOT AVAILABLE  
\*SEE UNIT G 3260 TS IBS

Product Availability  
Hamilton Mid-America  
NA-NOT AVAILABLE  
\*SEE UNIT G 3260 TS IBS

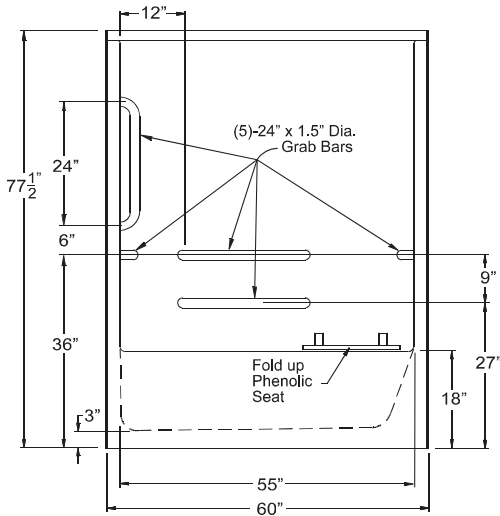
Product Availability  
Hamilton South  
800-326-5489  
STD-STANDARD LEADTIME

# PACKAGE ONE - ADA/ANSI/TAS G 6092 TS IBS

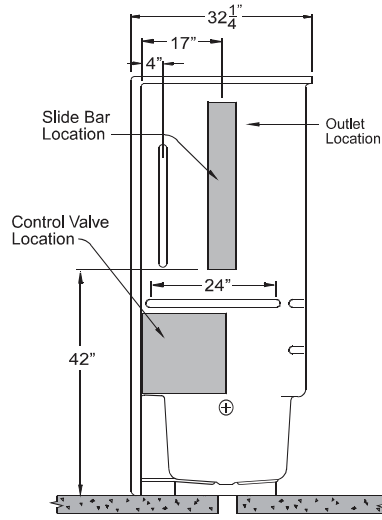
No modifications accepted (Packaged units only)



Top View



Front View

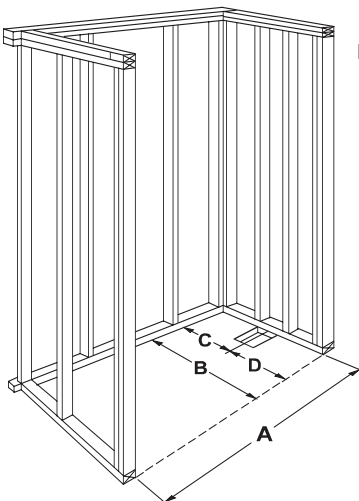


Side View

NOTE: Due to the nature of the materials, dimension may vary + - 1/2".

## ADA/TAS COMPLIANCE REQUIREMENTS

For ADA/TAS compliance: seat securely mounted at head end, one horizontal grab bar mounted on the valve wall, two horizontal grab bars mounted on the back wall, one horizontal grab bar mounted on the head wall and one vertical grab bar mounted on the valve wall near the entry. Pressure balancing mixing valve, hand held shower with slide bar, vacuum breaker and 60" hose. Unit and accessories must be installed per ADA/TAS and Praxis guidelines.



### FRAMING DIMENSIONS

A	B	C	D
60 1/4"	32 1/4"	15 3/4"	16 1/2"

6" x 6" minimum opening in floor for drain connection

### STANDARD FEATURES

- High gloss gelcoat finish
- One piece design
- Phenolic fold up seat
- Stainless steel grab bars

### STANDARD CODES

- ANSI Z124.1
- ASTM F463
- ASTM E84
- SBCCI
- NAHB
- UPC

### ADA CODES

- ICC/ANSI A117.1
  - HUD/ADA
  - UFAS
  - TAS
- (when fully equipped)  
Unit configured with standard features, pressure balanced control valve and hand held shower package.

Confirm any requested loose accessories desired by circling the items on page one. Submittal drawing required for Prepackaged model. **NO MODIFICATIONS ACCEPTED.** All built to order model configurations and submittal drawings must be ordered.

UPC/SKU NUMBERS Left Hand Valve: \_\_\_\_\_ Right Hand Valve: \_\_\_\_\_

**ATTENTION PLUMBING CONTRACTOR!!! THIS ORDER WILL NOT BE PROCESSED UNLESS THIS DOCUMENT IS SIGNED, DATED AND A CONTACT PHONE NUMBER OF THE PLUMBING CONTRACTOR IS PROVIDED.**

Signed:  Date:  Contact Phone Number:

Customer Service: (800)-443-7269 Fax: (731)-925-0379

# Commercial Showers & Tub Showers

## 60" Gelcoat Tub/Shower



Hamilton  
BATHWARE

### MAS Tub Showers ONE-PIECE OPEN TOP GELCOAT

704B- NO MODIFICATIONS TO PACKAGES. FOR BUILT TO ORDER UNIT, SELECT BASE UNIT AND ACCESSORIES.		
<b>PKG ONE-MAS: G 6092 TS IBS MAS</b>		<b>List: \$1490</b>
18" APRON	SHIM	
HANDED BY VALVE WALL L/R	WHITE POLYESTER GELCOAT FINISH	
Factory Installed Accessories (VALVE/SHOWER KIT NOT INCLUDED IN PKG1)		
S-BAR	48" X 1.25" PEENED SS	
S-BAR	48" X 1.25" PEENED SS	
SEAT	28" X 15" WHITE TRI FOLD REMOVABLE	
FOR MAS COMPLIANCE: TRI FOLD REMOVABLE SEAT AT HEAD END OF TUB SHALL BE PROVIDED AND SECURELY MOUNTED, INSTALLED ACCESSORIES MUST INCLUDE: TWO 48" PEENED OR TEXTURED GRAB BARS ON BACK WALL, PRESSURE BALANCING MIXING VALVE, HAND HELD SHOWER WITH SLIDE BAR, VACUUM BREAKER AND 60" HOSE. UNIT AND ACCESSORIES INSTALLED PER MAS & PRAXIS INSTALLATION & WARRANTY GUIDELINES.		
BUILD TO ORDER BASE PLUS ACCESSORIES		
<b>BASE UNIT 1: G 6092 TS I MAS</b>		<b>List: \$777</b>
18" APRON	SHIM	
Handed by Valve Wall L/R		
Reinforced for Standard Accessories		
BASE UNIT OPTIONAL ACCESSORIES		List:
<b>FINISHES</b>		
STANDARD FINISH- POLYESTER GELCOAT FINISH: WHITE, BONE, BISCUIT		\$0
<b>GRAB BARS</b>		
S-BAR	48" X 1.25" PEENED SS	\$139
S-BAR	48" X 1.25" TEXTURED WHITE	\$329
<b>STANDARD SEATS (REMOVABLE)</b>		
SEAT	28" X 15" WHITE TRI FOLD REMOVABLE	\$434
<b>FACTORY MODIFICATIONS</b>		
MOD	WHIRLPOOL SYSTEM WITH 3/4 HORSE POWER AND 4 JETS	\$562
MOD	VALVE DRILLING - SPECIFY HOLE SIZE	\$56
MOD	INSTALL STANDARD SYMMONS VALVE PACKAGE	\$633
MOD	INSTALL HANS GROHE THERMOSTATIC VALVE PACKAGE (XLT)	\$501
MOD	INSTALL POWERS VALVE PACKAGE (XLT)	\$656
MOD	INSTALL 30" SLIDE BAR / HS KIT	\$411
MOD	ARMORSHIELD P3 PROTECTION	\$149
MOD	TUBGUARD P3 PROTECTION 60" TUB SHOWER	\$86
MOD	2" STANDARD ROUGH (17" APRON)	\$56
<b>CURTAIN RODS</b>		
ROD	CURTAIN ROD U CUP HOLDER PAIR	\$14
ROD	1" OD 20 GAUGE SS	\$71
ROD	1" OD 20 GAUGE WHITE	\$138
<b>FIELD INSTALLED ACCESSORIES</b>		
LOOSE	CURTAIN HEAVY DUTY 66" X 72" WHITE VINYL	\$119
LOOSE	TUBGUARD P3 PRO FIELD INST - STANDARD 60" TUB SHOWER	\$89
ADDITIONAL ACCESSORIES AND SERVICES MAY BE AVAILABLE UPON REQUEST		



### G 6092 TS IBS MAS

PHOTOGRAPH AT LEFT ILLUSTRATES PACKAGE ONE (HANDED BY VALVE WALL LEFT)

**Sanitary Grade Polyester Gelcoat**  
**Three Year Warranty**

#### Primary Applications:

- Healthcare
- College Dormitory
- Hospitality
- Schools
- Assisted Living

#### WELL INFORMATION

WELL DEPTH: 11.25"
WELL L TO R: 48"
WELL FRONT TO BACK: 22.5"
GALLONS TO OVERFLOW: 58
SLOPE OF DRAIN: .375" per ft.

704B

rev. 09/25/07

### G 6092 TS I MAS

OD: 60" x 32.25" x 77.5"

3" ABOVE FLOOR ROUGH

WEIGHT: 170

LOAD FACTOR: 1.13

HANDED BY: VALVE WALL L/R



Special Notes: This unit complies with MAS, ANSI Z124.1, NAHB, UPC, ASTM F462, ASTM E84.

Warranty: Gelcoat models have a 3 year limited warranty. Acrylic models have a 5 year limited warranty. Pumps, parts, and accessories 1 year limited warranty. For further details please refer to the complete warranty section.

Due to the nature of the materials, dimensions may vary +/- .1/2".

DRAWING REQUEST MUST BE MADE FOR PACKAGE 2 DRAWING AND BUILT TO ORDER UNITS.

### Hamilton Bathware/Praxis Companies, LLC.

435 Industrial Road, Savannah • Tennessee 38372 • Customer Service: 800.326.5489 • Fax: 888.246.0466 • www.hamiltonbathware.com

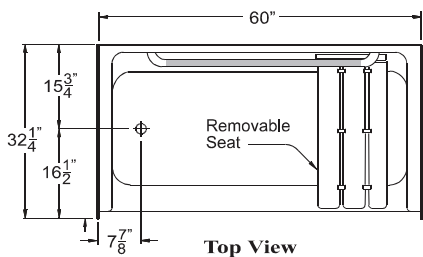
**Product Availability**  
**Hamilton Northeast**  
**NA-NOT AVAILABLE**  
**\*SEE UNIT G 3260 TS IBS**

**Product Availability**  
**Hamilton Mid-America**  
**NA-NOT AVAILABLE**  
**\*SEE UNIT G 3260 TS IBS**

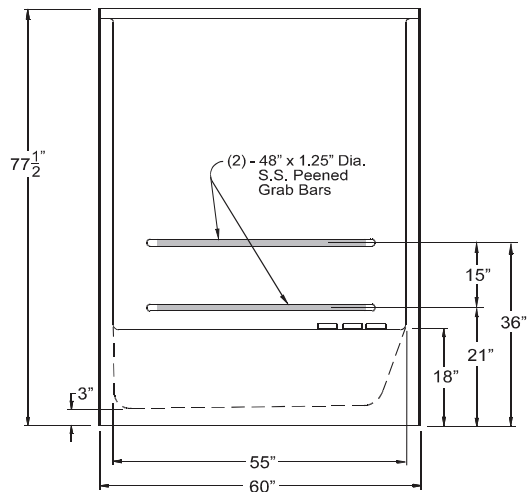
**Product Availability**  
**Hamilton South**  
**STD-STANDARD LEADTIME**

# PACKAGE ONE - MAS G 6092 TS IBS MAS

No modifications accepted (Packaged units only)

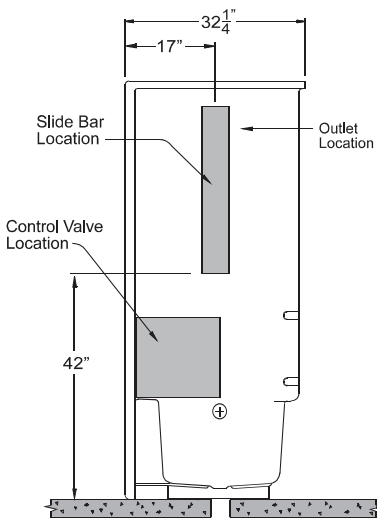


Top View



Front View

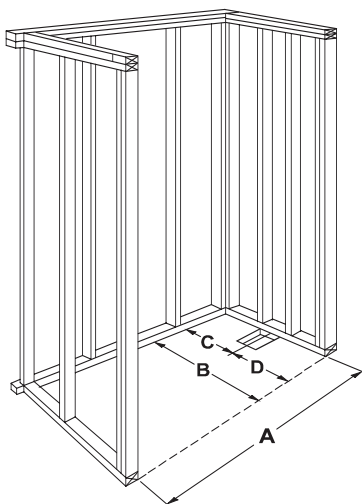
NOTE: Due to the nature of the materials, dimension may vary + - 1/2".



Side View

## MAS COMPLIANCE REQUIREMENTS

For MAS compliance installed accessories must include: Removable seat at head end, two peened horizontal grab bars on the back wall, pressure balancing mixing valve, hand held shower with 30" slide bar, vacuum breaker and 60" hose. Unit and accessories must be installed per MAS and Praxis guidelines.



### FRAMING DIMENSIONS

A	B	C	D
60 $\frac{1}{4}$ "	32 $\frac{1}{4}$ "	15 $\frac{3}{4}$ "	16 $\frac{1}{4}$ "

6" x 6" minimum opening in floor for drain connection

### STANDARD FEATURES

- High gloss gelcoat finish
- One piece design
- Tri-fold Removable seat
- Stainless steel grab bars

### STANDARD CODES

- ANSI Z124.1
- ASTM F463
- ASTM E84
- SBCCI
- NAHB
- UPC

### MASSACHUSETTS ARCHITECTURAL ACCESS BOARD

MAS

(when fully equipped)  
Unit configured with standard features, pressure balanced control valve and hand held shower package.

Confirm any requested loose accessories desired by circling the items on page one. Submittal drawing required for Prepackaged model. **NO MODIFICATIONS ACCEPTED.** All built to order model configurations and submittal drawings must be ordered.

**UPC/SKU NUMBERS** Left Hand Valve: \_\_\_\_\_ Right Hand Valve: \_\_\_\_\_

**ATTENTION PLUMBING CONTRACTOR!!! THIS ORDER WILL NOT BE PROCESSED UNLESS THIS DOCUMENT IS SIGNED, DATED AND A CONTACT PHONE NUMBER OF THE PLUMBING CONTRACTOR IS PROVIDED.**

Signed:  Date:  Contact Phone Number:

Customer Service: (800)-443-7269 Fax: (731)-925-0379

# Commercial Showers & Tub Showers

## 60" Gelcoat Tub/Shower



Hamilton  
BATHWARE

### ADA Tub Showers ONE-PIECE OPEN TOP GELCOAT

705A- NO MODIFICATIONS TO PACKAGES. FOR BUILT TO ORDER UNIT, SELECT BASE UNIT AND ACCESSORIES.		
<b>PKG 1-ADA/ANSI/TAS: G 3260 TS IBS</b>		<b>List: \$1945</b>
18" APRON	SHIM	
HANDED BY VALVE WALL L/R		WHITE POLYESTER GELCOAT FINISH
Factory Installed Accessories (VALVE/SHOWER KIT NOT INCLUDED IN PKG1)		
S-BAR	24" X 1.5" SMOOTH SS	
S-BAR	24" X 1.5" SMOOTH SS	
S-BAR	24" X 1.5" SMOOTH SS	
S-BAR	24" X 1.5" SMOOTH SS	
S-BAR	24" X 1.5" SMOOTH SS	
SEAT	27" X 15" WOODGRAIN PHENOLIC FOLD UP	
FOR ADA/ANSI/TAS COMPLIANCE: SEAT AT HEAD END OF TUB SHALL BE PROVIDED AND PERMANENTLY AND SECURELY MOUNTED, INSTALLED ACCESSORIES MUST INCLUDE: 24" VERTICAL GRAB BAR ON VALVE WALL, 24" GRAB BAR ON VALVE WALL, TWO 24" GRAB BARS ON BACK WALL, 12" MIN. GRAB BAR ON HEAD WALL, PRESSURE BALANCING MIXING VALVE, HAND HELD SHOWER WITH SLIDE BAR, VACUUM BREAKER AND 60" HOSE. THE UNIT AND ACCESSORIES MUST BE INSTALLED PER ADA/ANSI/TAS AND PRAXIS INSTALLATION AND WARRANTY GUIDELINES.		
BUILD TO ORDER BASE PLUS ACCESSORIES		
<b>BASE UNIT 1: G 3260 TS I</b>		<b>List: \$824</b>
18" APRON	SHIM	
Handed by Valve Wall L/R		
Reinforced for Standard Accessories		
BASE UNIT OPTIONAL ACCESSORIES		List:
<b>FINISHES</b>		
STANDARD FINISH- POLYESTER GELCOAT FINISH: WHITE, BONE, BISCUIT		\$0
<b>GRAB BARS</b>		
S-BAR	24" X 1.5" SMOOTH SS	\$128
S-BAR	24" X 1.25" SMOOTH WHITE	\$154
<b>STANDARD SEATS (ATTACHED OR REMOVABLE)</b>		
SEAT	27" X 15" WOODGRAIN PHENOLIC FOLD UP ATTACHED	\$481
SEAT	28" X 15" WHITE TRI FOLD REMOVABLE	\$434
<b>FACTORY MODIFICATIONS</b>		
MOD	WHIRLPOOL SYSTEM WITH 3/4 HORSE POWER AND 4 JETS	\$562
MOD	VALVE DRILLING - SPECIFY HOLE SIZE	\$56
MOD	INSTALL STANDARD SYMMONS VALVE PACKAGE	\$633
MOD	INSTALL HANS GROHE THERMOSTATIC VALVE PACKAGE (XLT)	\$501
MOD	INSTALL POWERS VALVE PACKAGE (XLT)	\$656
MOD	INSTALL 30" SLIDE BAR / HS KIT	\$411
MOD	ARMORSHIELD P3 PROTECTION	\$149
MOD	TUBGUARD P3 PROTECTION 60" TUB SHOWER	\$86
<b>CURTAIN RODS</b>		
ROD	CURTAIN ROD U CUP HOLDER PAIR	\$14
ROD	1" OD 20 GAUGE SS	\$71
ROD	1" OD 20 GAUGE WHITE	\$138
<b>FIELD INSTALLED ACCESSORIES</b>		
LOOSE	CURTAIN HEAVY DUTY 66" X 72" WHITE VINYL	\$119
LOOSE	TUBGUARD P3 PRO FIELD INST - STANDARD 60" TUB SHOWER	\$89
ADDITIONAL ACCESSORIES AND SERVICES MAY BE AVAILABLE UPON REQUEST		



### G 3260 TS IBS

PHOTOGRAPH AT LEFT ILLUSTRATES PACKAGE ONE (HANDED BY VALVE WALL RIGHT)

**Sanitary Grade Polyester Gelcoat  
Three Year Warranty**

#### Primary Applications:

- Healthcare
- College Dormitory
- Hospitality
- Schools
- Assisted Living

#### WELL INFORMATION

WELL DEPTH: 9.5"
WELL L TO R: 48"
WELL FRONT TO BACK: 18"
GALLONS TO OVERFLOW: 42
SLOPE OF DRAIN: .375" per ft.

705A

rev. 09/25/07

### G 3260 TS I

OD: 60" x 32.375" x 76.75"
4.125" ABOVE FLOOR ROUGH
WEIGHT: 170
LOAD FACTOR: 1.13
<b>HANDED BY: VALVE WALL L/R</b>



Special Notes: This unit complies with ANSI Z124.1, ICC/ANSI A117.1, UPC, HUD, ASTM F462, ASTM E84, ADA, ABA, SBCCI, NAHB, UFAS.  
Warranty: Gelcoat models have a 3 year limited warranty. Acrylic models have a 5 year limited warranty. Pumps, parts, and accessories 1 year limited warranty.  
For further details please refer to the complete warranty section.  
Due to the nature of the materials, dimensions may vary +/- 1/2".  
DRAWING REQUEST MUST BE MADE FOR PACKAGE 2 DRAWING AND BUILT TO ORDER UNITS.

### Hamilton Bathware/Praxis Companies, LLC.

435 Industrial Road, Savannah • Tennessee 38372 • Customer Service: 800.326.5489 • Fax: 888.246.0466 • www.hamiltonbathware.com

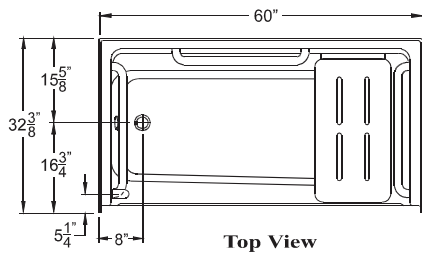
Product Availability  
Hamilton Northeast  
STD-STANDARD LEADTIME

Product Availability  
Hamilton Mid-America  
STD-STANDARD LEADTIME

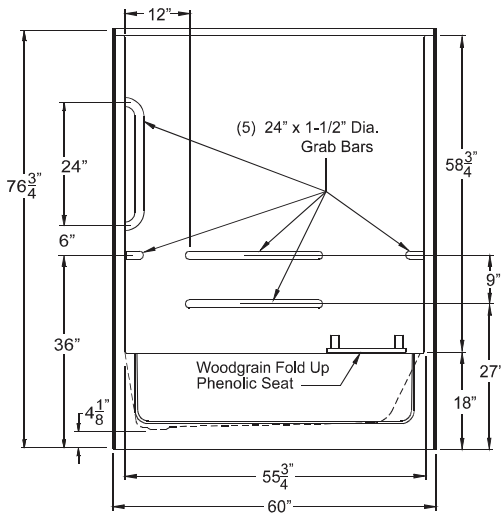
Product Availability  
Hamilton South  
NA-NOT AVAILABLE  
\*SEE UNIT G 6092 TS IBS

# PACKAGE ONE - ADA/ANSI/TAS G 3260 TS IBS

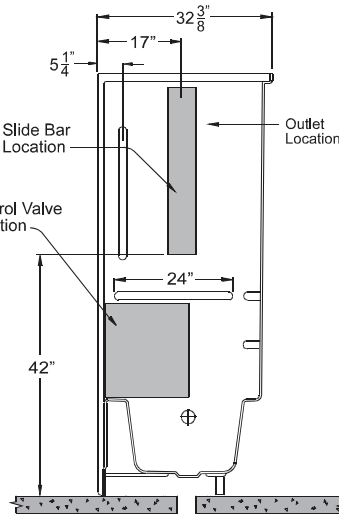
No modifications accepted (Packaged units only)



Top View



Front View

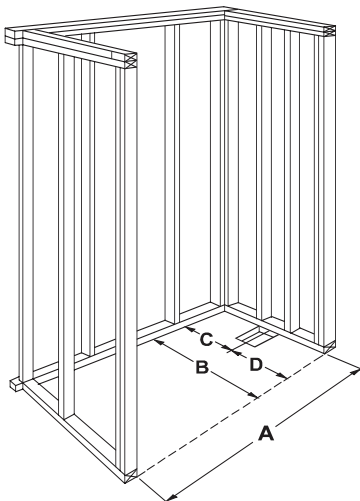


Side View

NOTE: Due to the nature of the materials, dimension may vary  $\pm$  1/2".

## ADA/TAS COMPLIANCE REQUIREMENTS

For ADA/TAS compliance: seat securely mounted at head end, one horizontal grab bar mounted on the valve wall, two horizontal grab bars mounted on the back wall, one horizontal grab bar mounted on the head wall and one vertical grab bar mounted on the valve wall near the entry. Pressure balancing mixing valve, hand held shower with slide bar, vacuum breaker and 60" hose. Unit and accessories must be installed per ADA/TAS and Praxis guidelines.



### FRAMING DIMENSIONS

A	B	C	D
60 $\frac{1}{4}$ "	32 $\frac{3}{8}$ "	15 $\frac{5}{8}$ "	16 $\frac{3}{4}$ "

6" x 6" minimum opening in floor for drain connection

### STANDARD FEATURES

- High gloss gelcoat finish
- One piece design
- Phenolic fold up seat
- Stainless steel grab bars

### STANDARD CODES

- ANSI Z124.1
- ASTM F463
- ASTM E84
- SBCCI
- NAHB
- UPC

### ADA CODES

- ICC/ANSI A117.1
  - HUD/ADA
  - UFAS
  - TAS
- (when fully equipped)  
Unit configured with standard features, pressure balanced control valve and hand held shower package.

Confirm any requested loose accessories desired by circling the items on page one. Submittal drawing required for Prepackaged model. **NO MODIFICATIONS ACCEPTED.** All built to order model configurations and submittal drawings must be ordered.

UPC/SKU NUMBERS Left Hand Valve: \_\_\_\_\_ Right Hand Valve: \_\_\_\_\_

**ATTENTION PLUMBING CONTRACTOR!!! THIS ORDER WILL NOT BE PROCESSED UNLESS THIS DOCUMENT IS SIGNED, DATED AND A CONTACT PHONE NUMBER OF THE PLUMBING CONTRACTOR IS PROVIDED.**

Signed:  Date:  Contact Phone Number:

Customer Service: (800)-443-7269 Fax: (731)-925-0379

# Commercial Showers & Tub Showers

## 60" Gelcoat Tub/Shower



Hamilton  
BATHWARE

### MAS Tub Showers ONE-PIECE OPEN TOP GELCOAT

<b>705B- NO MODIFICATIONS TO PACKAGES. FOR BUILT TO ORDER UNIT, SELECT BASE UNIT AND ACCESSORIES.</b>	
<b>PKG 1-MAS: G 3260 TS IBS MAS</b>	<b>List: \$1490</b>
18" APRON SHIM	
HANDED BY VALVE WALL L/R WHITE POLYESTER GELCOAT FINISH	
Factory Installed Accessories (VALVE/SHOWER KIT NOT INCLUDED IN PKG1)	
S-BAR	48" X 1.25" PEENED SS
S-BAR	48" X 1.25" PEENED SS
SEAT	28" X 15" WHITE TRI FOLD REMOVABLE
FOR MAS COMPLIANCE: TRI FOLD REMOVABLE SEAT AT HEAD END OF TUB SHALL BE PROVIDED AND SECURELY MOUNTED, INSTALLED ACCESSORIES MUST INCLUDE: TWO 48" PEENED OR TEXTURED GRAB BARS ON BACK WALL, PRESSURE BALANCING MIXING VALVE, HAND HELD SHOWER WITH SLIDE BAR, VACUUM BREAKER AND 60" HOSE. UNIT AND ACCESSORIES INSTALLED PER MAS & PRAXIS INSTALLATION & WARRANTY GUIDELINES.	
<b>BUILD TO ORDER BASE PLUS ACCESSORIES</b>	
<b>BASE UNIT 1: G 3260 TS I MAS</b>	<b>List: \$777</b>
18" APRON SHIM	
Handed by Valve Wall L/R	
Reinforced for Standard Accessories	
<b>BASE UNIT OPTIONAL ACCESSORIES</b>	<b>List:</b>
<b>FINISHES</b>	
STANDARD FINISH- POLYESTER GELCOAT FINISH: WHITE, BONE, BISCUIT	\$0
<b>GRAB BARS</b>	
S-BAR	24" X 1.25" PEENED SS \$136
S-BAR	24" X 1.25" TEXTURED WHITE \$157
S-BAR	48" X 1.25" PEENED SS \$139
S-BAR	48" X 1.25" TEXTURED WHITE \$329
<b>STANDARD SEATS (REMOVABLE)</b>	
SEAT	28" X 15" WHITE TRI FOLD REMOVABLE \$434
<b>FACTORY MODIFICATIONS</b>	
MOD	WHIRLPOOL SYSTEM WITH 3/4 HORSE POWER AND 4 JETS \$562
MOD	VALVE DRILLING - SPECIFY HOLE SIZE \$56
MOD	INSTALL STANDARD SYMMONS VALVE PACKAGE \$633
MOD	INSTALL HANS GROHE THERMOSTATIC VALVE PACKAGE (XLT) \$501
MOD	INSTALL POWERS VALVE PACKAGE (XLT) \$656
MOD	INSTALL 30" SLIDE BAR / HS KIT \$411
MOD	ARMORSHIELD P3 PROTECTION \$149
MOD	TUBGUARD P3 PROTECTION 60" TUB SHOWER \$86
<b>CURTAIN RODS</b>	
ROD	CURTAIN ROD U CUP HOLDER PAIR \$14
ROD	1" OD 20 GAUGE SS \$71
ROD	1" OD 20 GAUGE WHITE \$138
<b>FIELD INSTALLED ACCESSORIES</b>	
LOOSE	CURTAIN HEAVY DUTY 66" X 72" WHITE VINYL \$119
LOOSE	TUBGUARD P3 PRO FIELD INST - STANDARD 60" TUB SHOWER \$89
<b>ADDITIONAL ACCESSORIES AND SERVICES MAY BE AVAILABLE UPON REQUEST</b>	



### G 3260 TS IBS MAS

PHOTOGRAPH AT LEFT ILLUSTRATES PACKAGE ONE (HANDED BY VALVE WALL RIGHT)

**Sanitary Grade Polyester Gelcoat  
Three Year Warranty**

#### Primary Applications:

- Healthcare
- College Dormitory
- Hospitality
- Schools
- Assisted Living

#### WELL INFORMATION

WELL DEPTH: 9.5"
WELL L TO R: 48"
WELL FRONT TO BACK: 18"
GALLONS TO OVERFLOW: 42
SLOPE OF DRAIN: .375" per ft.

<b>705B</b>	rev. 09/25/07
<b>G 3260 TS I MAS</b>	
OD: 60" x 32.375" x 76.75"	
4.125" ABOVE FLOOR ROUGH	
WEIGHT: 170	
LOAD FACTOR: 1.3	
<b>HANDED BY: VALVE WALL L/R</b>	

\*UNIT IS NOT AVAILABLE IN THE SOUTHERN MARKET. SEE COMPARABLE UNIT G 6092 TS MAS.

Special Notes: This unit complies with MAS, ANSI Z124.1, NAHB, UPC, ASTM F462, ASTM E84.

Warranty: Gelcoat models have a 3 year limited warranty. Acrylic models have a 5 year limited warranty. Pumps, parts, and accessories 1 year limited warranty.

For further details please refer to the complete warranty section.

Due to the nature of the materials, dimensions may vary +/- 1/2".

DRAWING REQUEST MUST BE MADE FOR PACKAGE 2 DRAWING AND BUILT TO ORDER UNITS.



Hamilton Bathware/Praxis Companies, LLC.

435 Industrial Road, Savannah • Tennessee 38372 • Customer Service: 800.326.5489 • Fax: 888.246.0466 • www.hamiltonbathware.com

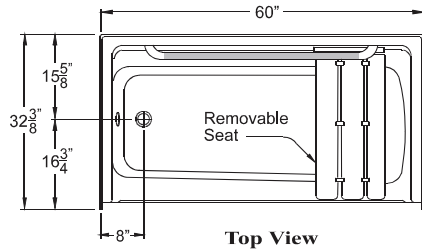
Product Availability  
Hamilton Northeast  
STD-STANDARD LEADTIME

Product Availability  
Hamilton Mid-America  
STD-STANDARD LEADTIME

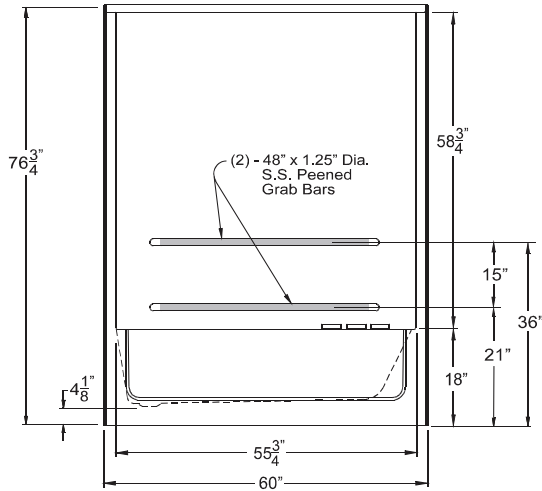
Product Availability  
Hamilton South  
NA-NOT AVAILABLE  
\*SEE UNIT G 6092 TS IBS

# PACKAGE ONE - MAS G 3260 TS IBS MAS

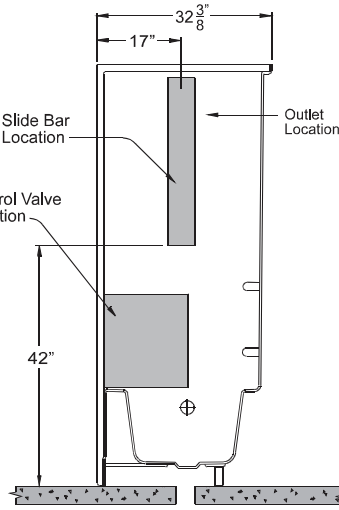
No modifications accepted (Packaged units only)



Top View



Front View

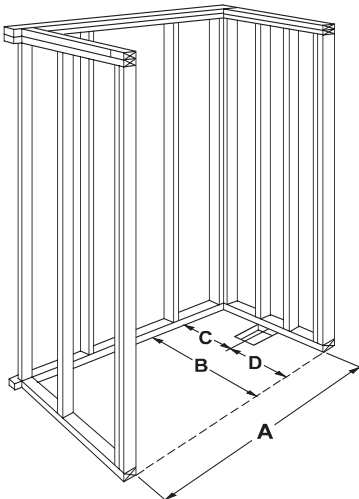


Side View

NOTE: Due to the nature of the materials, dimension may vary + - 1/2".

## MAS COMPLIANCE REQUIREMENTS

For MAS compliance installed accessories must include: Removable seat at head end, two peened horizontal grab bars on the back wall, pressure balancing mixing valve, hand held shower with 30" slide bar, vacuum breaker and 60" hose. Unit and accessories must be installed per MAS and Praxis guidelines.



### FRAMING DIMENSIONS

A	B	C	D
60 1/4"	32 3/8"	15 5/8"	16 3/4"

6" x 6" minimum opening in floor for drain connection

### STANDARD FEATURES

- High gloss gelcoat finish
- One piece design
- Tri-fold Removable seat
- Stainless steel grab bars

### STANDARD CODES

- ANSI Z124.1
- ASTM F463
- ASTM E84
- SBCCI
- NAHB
- UPC

### MASSACHUSETTS ARCHITECTURAL ACCESS BOARD

MAS  
  
(when fully equipped)  
Unit configured with standard features, pressure balanced control valve and hand held shower package.

Confirm any requested loose accessories desired by circling the items on page one. Submittal drawing required for Prepackaged model. **NO MODIFICATIONS ACCEPTED.** All built to order model configurations and submittal drawings must be ordered.

UPC/SKU NUMBERS Left Hand Valve: \_\_\_\_\_ Right Hand Valve: \_\_\_\_\_

**ATTENTION PLUMBING CONTRACTOR!!! THIS ORDER WILL NOT BE PROCESSED UNLESS THIS DOCUMENT IS SIGNED, DATED AND A CONTACT PHONE NUMBER OF THE PLUMBING CONTRACTOR IS PROVIDED.**

Signed:  Date:  Contact Phone Number:

Customer Service: (800)-443-7269 Fax: (731)-925-0379



# Commercial Showers & Tub Showers

## 62" Gelcoat Shower



Hamilton  
BATHWARE

### ADA / ANSI Roll-In Showers ONE-PIECE GELCOAT

<b>706A- NO MODIFICATIONS TO PACKAGES. FOR BUILT TO ORDER UNIT, SELECT BASE UNIT AND ACCESSORIES.</b>		
<b>PKG ONE-ADA/ANSI: G 6239 IBS</b>		<b>List: \$1950</b>
.75" NO RECESS BF THRESHOLD	MUDSET	
Handed by SEAT L/R	WHITE POLYESTER GELCOAT FINISH	
Factory Installed Accessories (VALVE/SHOWER KIT NOT INCLUDED IN PKG1)		
L-BAR	37" X 33" X 1.5" SMOOTH SS	
SEAT	32" X 21" FRAMELESS WHITE HDPE FOLD UP	
FOR ADA/ANSI COMPLIANCE WITH SEAT: INSTALLED ACCESSORIES MUST INCLUDE: L-SEAT, L-BAR, PRESSURE BALANCING MIXING VALVE, HAND HELD SHOWER WITH SLIDE BAR (BACK WALL, WITH IN REACH OF SEATED USER), VACUUM BREAKER AND 60" HOSE. UNIT AND ACCESSORIES INSTALLED PER ADA/ANSI & PRAXIS INSTALLATION & WARRANTY GUIDELINES.		
<b>PKG TWO-ADA/ANSI: G 6239 IB</b>		<b>List: \$1308</b>
.75" NO RECESS BF THRESHOLD	MUDSET	
Handed by CENTER DRAIN	WHITE POLYESTER GELCOAT FINISH	
Factory Installed Accessories (VALVE/SHOWER KIT NOT INCLUDED IN PKG2)		
U-BAR	33.5" X 60.5" 33.5" X 1.5" SMOOTH SS W/ CENTER FLANGE	
FOR ADA/ANSI COMPLIANCE LESS SEAT: INSTALLED ACCESSORIES MUST INCLUDE: U-BAR, PRESSURE BALANCING MIXING VALVE, HAND HELD SHOWER WITH SLIDE BAR (ON ANY WALL), VACUUM BREAKER AND 60" HOSE. UNIT AND ACCESSORIES INSTALLED PER ADA/ANSI & PRAXIS INSTALLATION & WARRANTY GUIDELINES.		
<b>BUILD TO ORDER BASE PLUS ACCESSORIES</b>		
<b>BASE UNIT 1: G 6239 I</b>		<b>List: \$978</b>
SPECIFY THRESHOLD HEIGHT	MUDSET	Handed by CENTER DRAIN OR SEAT L/R
Reinforced for Standard Accessories		
<b>BASE UNIT OPTIONAL ACCESSORIES</b>		<b>List:</b>
<b>FINISHES</b>		
STANDARD FINISH- POLYESTER GELCOAT FINISH: WHITE, BONE, BISCUIT		\$0
<b>GRAB BARS</b>		
L-BAR	37" X 33" X 1.5" SMOOTH SS	\$224
L-BAR	37" X 33" X 1.25" SMOOTH WHITE CC	\$235
U-BAR	33.5" X 60.5" 33.5" X 1.5" SMOOTH SS W/ CENTER FLANGE	\$386
U-BAR	33.5" X 60.5" 33.5" X 1.25" SMOOTH WHITE W/ CENTER FLANGE	\$487
<b>INSIDE CURTAIN LINE SEATS (REVISED ADA-ABA 2004)</b>		
SEAT	32" X 21" FRAMELESS WHITE HDPE FOLD UP	\$747
SEAT	32" X 21" FRAMELESS WHITE PADDED FOLD UP	\$747
SEAT	32" X 21" FRAMELESS WOODGRAIN PHENOLIC FOLD UP	\$747
<b>FACTORY MODIFICATIONS</b>		
MOD	VALVE DRILLING - SPECIFY HOLE SIZE	\$56
MOD	2" BF THRESHOLD	\$0
MOD	.75" NO RECESS BF THRESHOLD	\$111
MOD	INSTALL STANDARD SYMMONS VALVE PACKAGE	\$633
MOD	INSTALL HANS GROHE THERMOSTATIC VALVE PACKAGE (XLT)	\$501
MOD	INSTALL POWERS VALVE PACKAGE (XLT)	\$656
MOD	INSTALL 30" SLIDE BAR / HS KIT	\$411
MOD	ARMORSHIELD P3 PROTECTION	\$149
MOD	TUBGUARD P3 PROTECTION 60" X 36" BF	\$86
<b>CURTAIN RODS</b>		
ROD	CURTAIN ROD U CUP HOLDER PAIR	\$14
ROD	1" OD 20 GAUGE SS	\$71
ROD	1" OD 20 GAUGE WHITE	\$138
<b>FIELD INSTALLED ACCESSORIES</b>		
LOOSE	CURTAIN PREMIUM 66" X 72" WHITE NYLON WTD	\$180
LOOSE	CURTAIN HEAVY DUTY 66" X 72" WHITE VINYL WTD	\$119
LOOSE	TUBGUARD P3 PRO FIELD INST 60" X 36" BF	\$74

ADDITIONAL ACCESSORIES AND SERVICES MAY BE AVAILABLE UPON REQUEST

Special Notes: This unit complies with ANSI Z124.2, ICC/ANSI A117.1, UPC, HUD, ASTM F462, ASTM E84, ADA, ABA, SBCCI, NAHB, UFAS. Warranty: Gelcoat models have a 3 year limited warranty. Acrylic models have a 5 year limited warranty. Pumps, parts, and accessories 1 year limited warranty. For further details please refer to the complete warranty section. Due to the nature of the materials, dimensions may vary +/- 1/2". DRAWING REQUEST MUST BE MADE FOR PACKAGE 2 DRAWING AND BUILT TO ORDER UNITS.

Hamilton Bathware/Praxis Companies, LLC.

435 Industrial Road, Savannah • Tennessee 38372 • Customer Service: 800.326.5489 • Fax: 888.246.0466 • www.hamiltonbathware.com



### G 6239 IBS

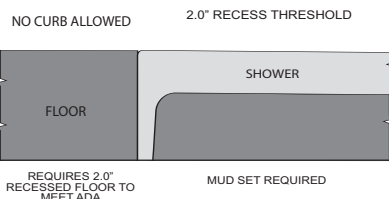
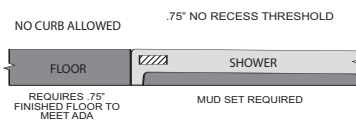
PHOTOGRAPH AT LEFT ILLUSTRATES PACKAGE ONE (HANDED BY SEAT LEFT)

**Sanitary Grade Polyester Gelcoat Three Year Warranty**

#### Primary Applications:

- Healthcare
- College Dormitory
- Hospitality
- Schools
- Public Buildings

ADA Roll-In Shower Threshold Requirements:



706A

rev. 09/25/07

### G 6239 I

OD: 62" x 39.5" x 78.75"

ID: 60" x 36" CENTER POINT

WEIGHT: 200

LOAD FACTOR: 2

HANDED BY: CENTER DRAIN OR SEAT L/R



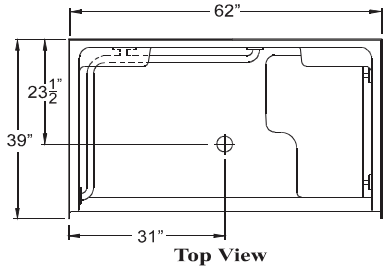
Product Availability  
Hamilton Northeast  
STD-STANDARD LEADTIME

Product Availability  
Hamilton Mid-America  
STD-STANDARD LEADTIME

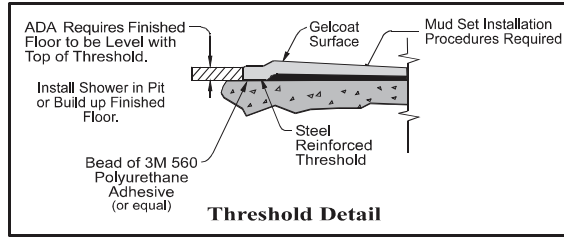
Product Availability  
Hamilton South  
STD-STANDARD LEADTIME

# PACKAGE ONE - ADA/ANSI G 6239 IBS

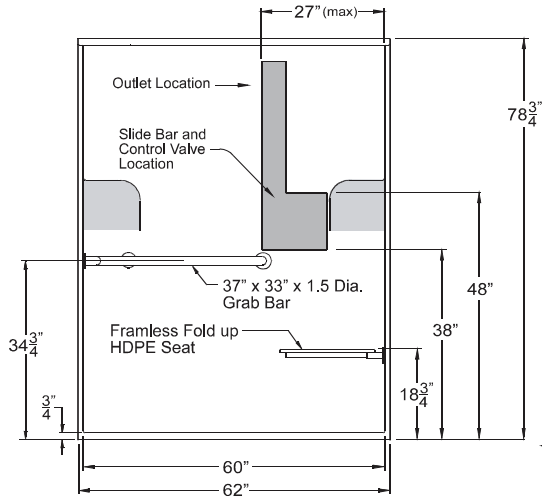
No modifications accepted (Packaged units only)



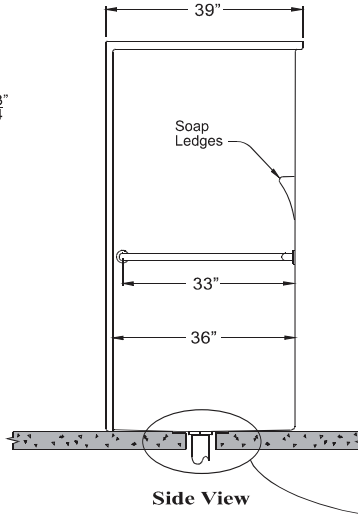
Top View



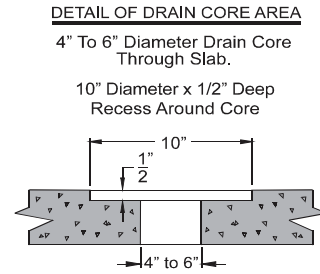
Threshold Detail



Front View



Side View

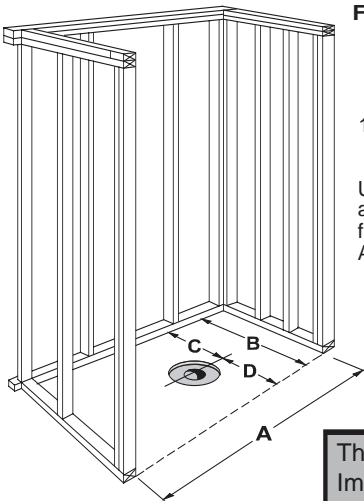


DETAIL OF DRAIN CORE AREA

NOTE: Due to the nature of the materials, dimension may vary + - 1/2".

## ADA COMPLIANCE REQUIREMENTS

For ADA compliance with seat: Installed accessories must include: horizontal L-grab bar, L-shaped fold up seat, pressure balancing mixing valve, hand shower with slide bar (on back wall within reach of seated user), vacuum breaker and 60" hose. Unit and accessories installed per ADA and Praxis guidelines.



### FRAMING DIMENSIONS

A	B	C	D
62 1/4"	39"	23 1/2"	15 1/2"

10" Diameter x 1/2" Deep Recess Around Drain Core

Unit must be installed into a recessed pit -or- build up finished floor to comply with ADA threshold guidelines.

### STANDARD FEATURES

- High gloss gelcoat finish
- Low threshold entry
- Molded soap dishes
- HDPE fold up seat
- Stainless steel grab bar

### STANDARD CODES

- ANSI Z124.2
- ASTM F463
- ASTM E84
- SBCCI
- NAHB
- UPC

### ADA CODES

- ICC/ANSI A117.1
- HUD/ADA
- UFAS

(when fully equipped)  
Unit configured with standard features, pressure balanced control valve and hand held shower package.

Confirm any requested loose accessories desired by circling the items on page one.

Submittal drawing required for Prepackaged model. **NO MODIFICATIONS ACCEPTED.**

All built to order model configurations and submittal drawings must be ordered.

UPC/SKU NUMBERS Left Hand Valve: \_\_\_\_\_ Right Hand Valve: \_\_\_\_\_

This model included in the **PRAXIS QUALITY INSTALLATION ASSURANCE PROGRAM.** Important installation procedures **MUST** be followed for the fixture to be granted a warranty.

**ATTENTION PLUMBING CONTRACTOR!!!** THIS ORDER WILL NOT BE PROCESSED UNLESS THIS DOCUMENT IS SIGNED, DATED AND A CONTACT PHONE NUMBER OF THE PLUMBING CONTRACTOR IS PROVIDED. FOR ORDERS OF FOUR OR MORE UNITS, PARTICIPATION IN THE PRAXIS QUALITY INSTALLATION ASSURANCE PROGRAM IS MANDATORY FOR ACTIVATION OF PRODUCT WARRANTY.

Signed:  Date:  Contact Phone Number:

Praxis Quality Installation Assurance Program Information: Phone: (800)-759-7744 ext: 29.

Customer Service: (800)-443-7269 Fax: (731)-925-0379

# Commercial Showers & Tub Showers

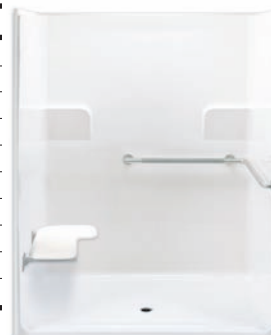
## 62" Gelcoat Shower



Hamilton  
BATHWARE

### MAS Roll-In Showers ONE-PIECE GELCOAT

<b>706B-</b> NO MODIFICATIONS TO PACKAGES. FOR BUILT TO ORDER UNIT, SELECT BASE UNIT AND ACCESSORIES.	
<b>PKG ONE-MAS: G 6239 IBS MAS</b>	<b>List: \$1951</b>
.75" NO RECESS BF THRESHOLD	MUDSET
Handed by SEAT L/R	WHITE POLYESTER GELCOAT FINISH
Factory Installed Accessories (VALVE/SHOWER KIT NOT INCLUDED IN PKG1)	
L-BAR	37" X 33" X 1.25" PEENED SS
SEAT	32" X 21" FRAMELESS WHITE PADDED FOLD UP
FOR MAS COMPLIANCE WITH SEAT: NO CURB ALLOWED, INSTALLED ACCESSORIES MUST INCLUDE: PEENED OR TEXTURED L-BAR, PADDED L-SEAT, PRESSURE BALANCING MIXING VALVE, HAND HELD SHOWER WITH SLIDE BAR (BACK WALL, WITH IN REACH OF SEATED USER), VACUUM BREAKER AND 60" HOSE. UNIT AND ACCESSORIES INSTALLED PER MAS & PRAXIS INSTALLATION & WARRANTY GUIDELINES.	
<b>BUILD TO ORDER BASE PLUS ACCESSORIES</b>	
<b>BASE UNIT 1: G 6239 I MAS</b>	<b>List: \$978</b>
SPECIFY THRESHOLD HEIGHT	MUDSET
Handed by SEAT L/R	
Reinforced for Standard Accessories	
<b>BASE UNIT OPTIONAL ACCESSORIES</b>	<b>List:</b>
<b>FINISHES</b>	
STANDARD FINISH- POLYESTER GELCOAT FINISH: WHITE, BONE, BISCUIT	\$0
<b>GRAB BARS</b>	
L-BAR	37" X 33" X 1.25" PEENED SS \$225
L-BAR	37" X 33" X 1.25" TEXTURED WHITE CC \$291
<b>INSIDE CURTAIN LINE SEATS (REVISED ADA-ABA 2004)</b>	
SEAT	32" X 21" FRAMELESS WHITE PADDED FOLD UP \$747
<b>FACTORY MODIFICATIONS</b>	
MOD	VALVE DRILLING - SPECIFY HOLE SIZE \$56
MOD	2" BF THRESHOLD \$0
MOD	.75" NO RECESS BF THRESHOLD \$111
MOD	INSTALL STANDARD SYMMONS VALVE PACKAGE \$633
MOD	INSTALL HANS GROHE THERMOSTATIC VALVE PACKAGE (XLT) \$501
MOD	INSTALL POWERS VALVE PACKAGE (XLT) \$656
MOD	INSTALL 30" SLIDE BAR / HS KIT \$411
MOD	ARMORSHIELD P3 PROTECTION \$149
MOD	TUBGUARD P3 PROTECTION 60" X 36" BF \$86
<b>CURTAIN RODS</b>	
ROD	CURTAIN ROD U CUP HOLDER PAIR \$14
ROD	1" OD 20 GAUGE SS \$71
ROD	1" OD 20 GAUGE WHITE \$138
<b>FIELD INSTALLED ACCESSORIES</b>	
LOOSE	CURTAIN PREMIUM 66" X 72" WHITE NYLON WTD \$180
LOOSE	CURTAIN HEAVY DUTY 66" X 72" WHITE VINYL WTD \$119
LOOSE	TUBGUARD P3 PRO FIELD INST 60" X 36" BF \$74
<b>ADDITIONAL ACCESSORIES AND SERVICES MAY BE AVAILABLE UPON REQUEST</b>	



### G 6239 IBS MAS

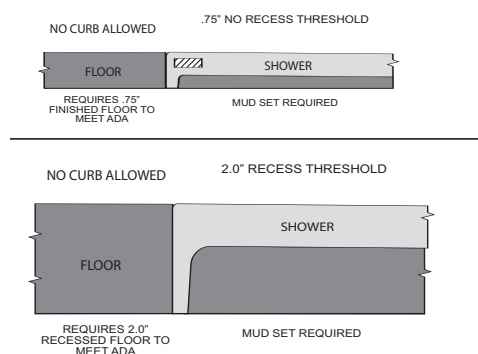
PHOTOGRAPH AT LEFT ILLUSTRATES PACKAGE ONE (HANDED BY SEAT LEFT)

**Sanitary Grade Polyester Gelcoat  
Three Year Warranty**

#### Primary Applications:

- Healthcare
- College Dormitory
- Hospitality
- Schools
- Assisted Living

#### MAS Roll-In Shower Threshold Requirements:



**706B** rev. 09/25/07

### G 6239 I MAS

OD: 62" x 39.5" x 78.75"

ID: 60" x 36" CENTER POINT

WEIGHT: 200

LOAD FACTOR: 2

**HANDED BY: CENTER DRAIN OR SEAT L/R**

Special Notes: This unit complies with MAS, ANSI Z124.2, NAHB, UPC, ASTM F462, ASTM E84.  
Warranty: Gelcoat models have a 3 year limited warranty. Acrylic models have a 5 year limited warranty.  
Pumps, parts, and accessories 1 year limited warranty. For further details please refer to the complete warranty section.

Due to the nature of the materials, dimensions may vary +/- 1/2".

DRAWING REQUEST MUST BE MADE FOR PACKAGE 2 DRAWING AND BUILT TO ORDER UNITS.



**Hamilton Bathware/Praxis Companies, LLC.**

435 Industrial Road, Savannah • Tennessee 38372 • Customer Service: 800.326.5489 • Fax: 888.246.0466 • www.hamiltonbathware.com

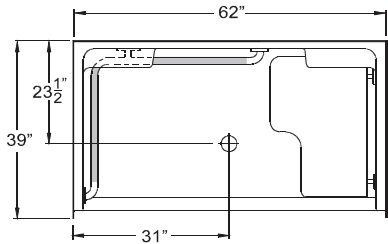
**Product Availability  
Hamilton Northeast  
STD-STANDARD LEADTIME**

**Product Availability  
Hamilton Mid-America  
STD-STANDARD LEADTIME**

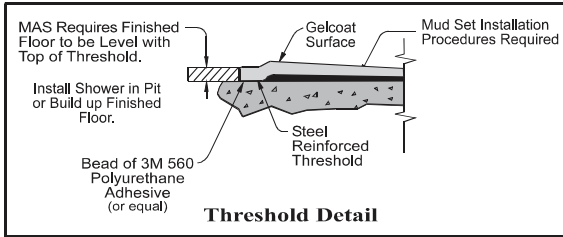
**Product Availability  
Hamilton South  
STD-STANDARD LEADTIME**

# PACKAGE ONE - MAS G 6239 IBS MAS

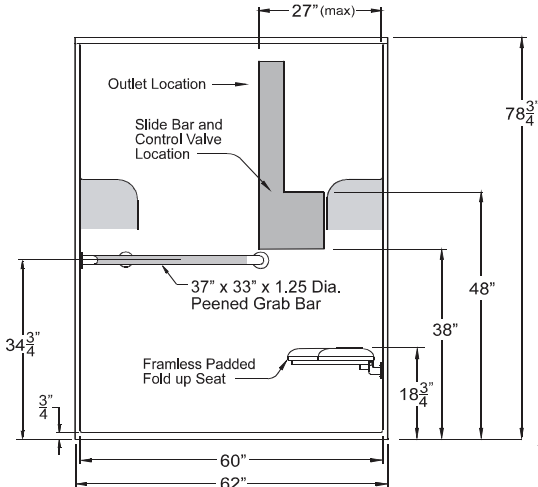
No modifications accepted (Packaged units only)



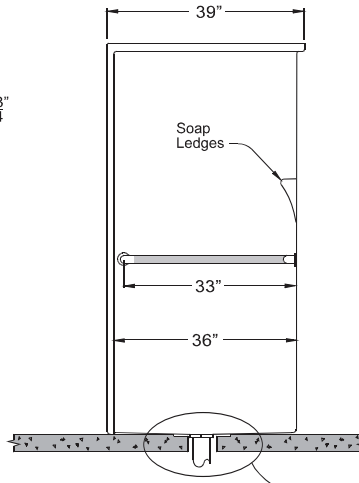
Top View



Threshold Detail



Front View

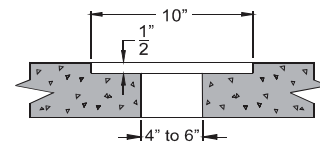


Side View

### DETAIL OF DRAIN CORE AREA

4" To 6" Diameter Drain Core Through Slab.

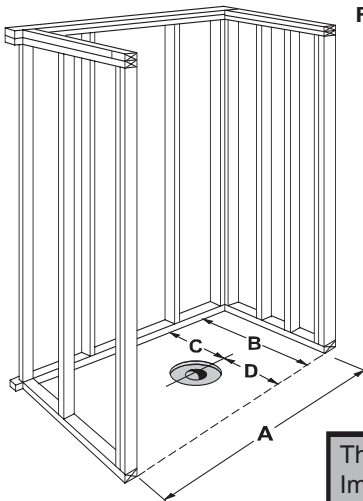
10" Diameter x 1/2" Deep Recess Around Core



NOTE: Due to the nature of the materials, dimension may vary + - 1/2".

## MAS COMPLIANCE REQUIREMENTS

For MAS compliance with seat: Installed accessories must include: L-shaped padded fold up seat, horizontal peened L-grab bar, pressure balancing mixing valve, hand held shower with 30" slide bar (on back wall within reach of seated user), vacuum breaker and 60" hose. Unit and accessories must be installed per MAS and Praxis guidelines.



### FRAMING DIMENSIONS

A	B	C	D
62 1/4"	39"	23 1/2"	15 1/2"

10" Diameter x 1/2" Deep Recess Around Drain Core

Unit must be installed into a recessed pit -or- build up finished floor to comply with MAS threshold guidelines.

Confirm any requested loose accessories desired by circling the items on page one.

Submittal drawing required for Prepackaged model. **NO MODIFICATIONS ACCEPTED.**

All built to order model configurations and submittal drawings must be ordered.

UPC/SKU NUMBERS Left Hand Valve: \_\_\_\_\_ Right Hand Valve: \_\_\_\_\_

This model included in the **PRAXIS QUALITY INSTALLATION ASSURANCE PROGRAM.** Important installation procedures **MUST** be followed for the fixture to be granted a warranty.

### STANDARD FEATURES

- High gloss gelcoat finish
- Low threshold entry
- Molded soap dishes
- Padded fold up seat
- Stainless steel grab bars

### STANDARD CODES

- ANSI Z124.2
- ASTM F463
- ASTM E84
- SBCCI
- NAHB
- UPC

### MASSACHUSETTS ARCHITECTURAL ACCESS BOARD

- MAS

(when fully equipped)  
Unit configured with standard features, pressure balanced control valve and hand held shower package.

**ATTENTION PLUMBING CONTRACTOR!!!** THIS ORDER WILL NOT BE PROCESSED UNLESS THIS DOCUMENT IS SIGNED, DATED AND A CONTACT PHONE NUMBER OF THE PLUMBING CONTRACTOR IS PROVIDED. FOR ORDERS OF FOUR OR MORE UNITS, PARTICIPATION IN THE PRAXIS QUALITY INSTALLATION ASSURANCE PROGRAM IS MANDATORY FOR ACTIVATION OF PRODUCT WARRANTY.

Signed:  Date:  Contact Phone Number:

Praxis Quality Installation Assurance Program Information: Phone: (800)-759-7744 ext: 29.

Customer Service: (800)-443-7269 Fax: (731)-925-0379

# Commercial Showers & Tub Showers

## 62" Gelcoat Shower



**Hamilton**  
BATHWARE

### ADA / ANSI Roll-In Showers ONE-PIECE GELCOAT

<b>707A- NO MODIFICATIONS TO PACKAGES. FOR BUILT TO ORDER UNIT, SELECT BASE UNIT AND ACCESSORIES.</b>		
<b>PKG ONE-ADA/ANSI: G 6233 IBS</b>		<b>List: \$1899</b>
.75" NO RECESS BF THRESHOLD	MUDSET	
Handed by SEAT L/R	WHITE POLYESTER GELCOAT FINISH	
Factory Installed Accessories (VALVE/SHOWER KIT NOT INCLUDED IN PKG1)		
L-BAR	27" x 37" x 1.5" SMOOTH SS	
SEAT	26" X 21" FRAMELESS WHITE HDPE	
FOR ADA/ANSI COMPLIANCE WITH SEAT: INSTALLED ACCESSORIES MUST INCLUDE: L-SEAT, L-BAR, PRESSURE BALANCING MIXING VALVE, HAND HELD SHOWER WITH SLIDE BAR (BACK WALL, WITH IN REACH OF SEATED USER), VACUUM BREAKER AND 60" HOSE. UNIT AND ACCESSORIES INSTALLED PER ADA/ANSI & PRAXIS INSTALLATION & WARRANTY GUIDELINES.		
<b>PKG TWO-ADA/ANSI: G 6233 IB</b>		<b>List: \$1274</b>
.75" NO RECESS BF THRESHOLD	MUDSET	
Handed by CENTER DRAIN	WHITE POLYESTER GELCOAT FINISH	
Factory Installed Accessories (VALVE/SHOWER KIT NOT INCLUDED IN PKG2)		
U-BAR	27" X 60" X 27" X 1.5" SMOOTH SS W/ CENTER FLANGE	
FOR ADA/ANSI COMPLIANCE LESS SEAT: INSTALLED ACCESSORIES MUST INCLUDE: U-BAR, PRESSURE BALANCING MIXING VALVE, HAND HELD SHOWER WITH SLIDE BAR (ON ANY WALL), VACUUM BREAKER AND 60" HOSE. UNIT AND ACCESSORIES INSTALLED PER ADA/ANSI & PRAXIS INSTALLATION & WARRANTY GUIDELINES.		
<b>BUILD TO ORDER BASE PLUS ACCESSORIES</b>		
<b>BASE UNIT 1: G 6233 I</b>		<b>List: \$957</b>
SPECIFY THRESHOLD HEIGHT	MUDSET	Handed by CENTER DRAIN OR SEAT L/R
Reinforced for Standard Accessories		
<b>BASE UNIT OPTIONAL ACCESSORIES</b>		<b>List:</b>
<b>FINISHES</b>		
STANDARD FINISH- POLYESTER GELCOAT FINISH: WHITE, BONE, BISCUIT		\$0
<b>GRAB BARS</b>		
U-BAR	27" X 60" X 27" X 1.5" SMOOTH SS W/ CENTER FLANGE	\$372
U-BAR	27" X 60" X 27" X 1.25" SMOOTH WHITE W/ CENTER FLANGE	\$434
L-BAR	27" X 37" X 1.5" SMOOTH SS	\$219
L-BAR	27" X 37" X 1.25" SMOOTH WHITE	\$258
<b>INSIDE CURTAIN LINE SEATS (REVISED ADA-ABA 2004)</b>		
SEAT	26" X 21" FRAMELESS WHITE HDPE	\$723
SEAT	26" X 21" FRAMELESS WHITE PADDED	\$723
SEAT	26" X 21" FRAMELESS WOODGRAIN PHENOLIC	\$723
<b>FACTORY MODIFICATIONS</b>		
MOD	VALVE DRILLING - SPECIFY HOLE SIZE	\$56
MOD	2" BF THRESHOLD	\$0
MOD	.75" NO RECESS BF THRESHOLD	\$111
MOD	TUBGUARD P3 PROTECTION 60" X 30" ADA	\$86
MOD	ARMORSHIELD P3 PROTECTION	\$149
MOD	INSTALL 30" SLIDE BAR / HS KIT	\$411
MOD	INSTALL STANDARD SYMMONS VALVE PACKAGE	\$633
MOD	INSTALL HANS GROHE THERMOSTATIC VALVE PACKAGE (XLT)	\$501
MOD	INSTALL POWERS VALVE PACKAGE (XLT)	\$656
<b>CURTAIN RODS</b>		
ROD	CURTAIN ROD U CUP HOLDER PAIR	\$14
ROD	1" OD 20 GAUGE SS	\$71
ROD	1" OD 20 GAUGE WHITE	\$138
<b>FIELD INSTALLED ACCESSORIES</b>		
LOOSE	CURTAIN PREMIUM 66" X 72" WHITE NYLON WTD	\$180
LOOSE	CURTAIN HEAVY DUTY 66" X 72" WHITE VINYL WTD	\$119
LOOSE	TUBGUARD PRO FIELD INST 60" X 30" ADA	\$74

**ADDITIONAL ACCESSORIES AND SERVICES MAY BE AVAILABLE UPON REQUEST**



### G 6233 IBS

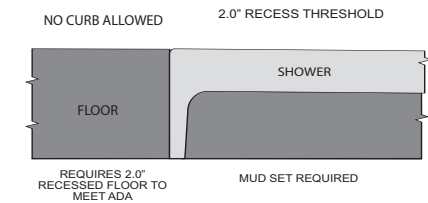
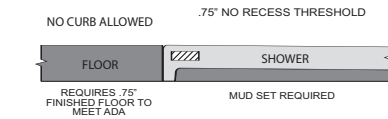
PHOTOGRAPH AT LEFT ILLUSTRATES PACKAGE ONE (HANDED BY SEAT LEFT)

**Sanitary Grade Polyester Gelcoat Three Year Warranty**

#### Primary Applications:

- Healthcare
- College Dormitory
- Hospitality
- Assisted Living

#### ADA Roll-In Shower Threshold Requirements:



**707A**

rev. 09/25/07

### G 6233 IBS

OD: 62" X 33" X 78.75"

ID: 60" X 30" CENTER POINT

WEIGHT: 200

LOAD FACTOR: 1.30

**HANDED BY: CENTER DRAIN OR SEAT L/R**



Special Notes: This unit complies with ANSI Z124.2, ICC/ANSI A117.1, UPC, HUD, ASTM F462, ASTM E84, ADA, ABA, SBCCI, NAHB, UFAS. Warranty: Gelcoat models have a 3 year limited warranty. Acrylic models have a 5 year limited warranty. Pumps, parts, and accessories 1 year limited warranty. For further details please refer to the complete warranty section. Due to the nature of the materials, dimensions may vary +/- 1/2". DRAWING REQUEST MUST BE MADE FOR PACKAGE 2 DRAWING AND BUILT TO ORDER UNITS.

**Hamilton Bathware/Praxis Companies, LLC.**

435 Industrial Road, Savannah • Tennessee 38372 • Customer Service: 800.326.5489 • Fax: 888.246.0466 • www.hamiltonbathware.com

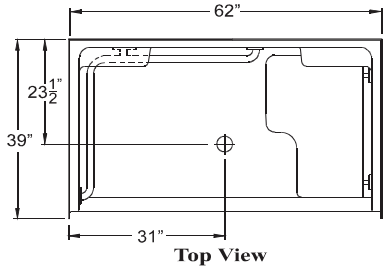
**Product Availability**  
**Hamilton Northeast**  
**STD-STANDARD LEADTIME**

**Product Availability**  
**Hamilton Mid-America**  
**STD-STANDARD LEADTIME**

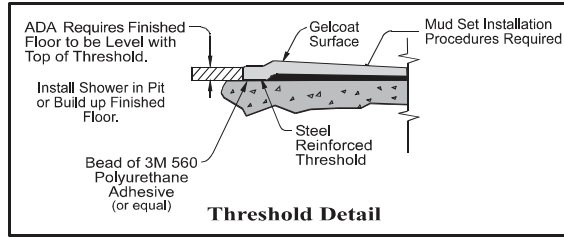
**Product Availability**  
**Hamilton South**  
**STD-STANDARD LEADTIME**

# PACKAGE ONE - ADA/ANSI G 6239 IBS

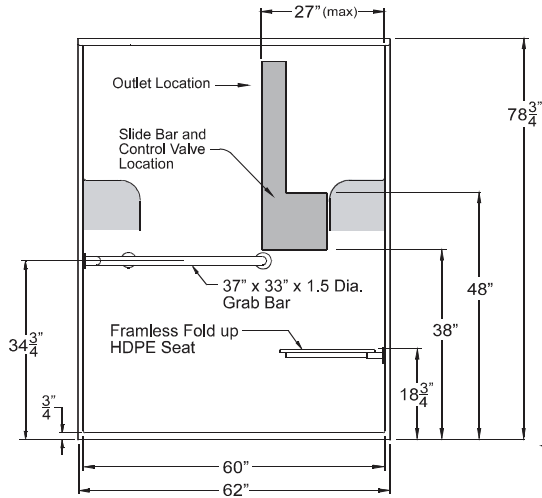
No modifications accepted (Packaged units only)



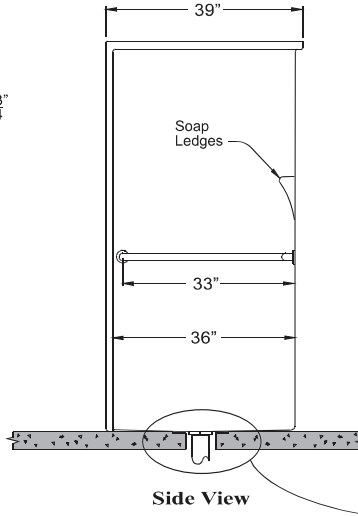
Top View



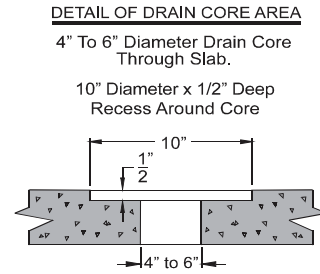
Threshold Detail



Front View



Side View

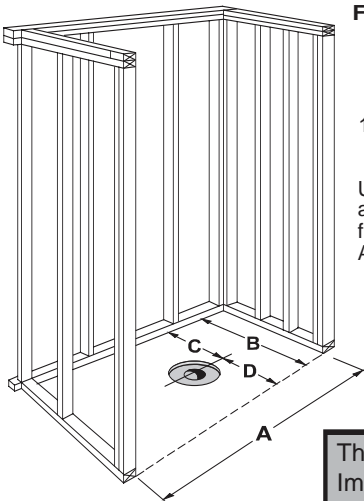


DETAIL OF DRAIN CORE AREA

NOTE: Due to the nature of the materials, dimension may vary + - 1/2".

## ADA COMPLIANCE REQUIREMENTS

For ADA compliance with seat: Installed accessories must include: horizontal L-grab bar, L-shaped fold up seat, pressure balancing mixing valve, hand shower with slide bar (on back wall within reach of seated user), vacuum breaker and 60" hose. Unit and accessories installed per ADA and Praxis guidelines.



### FRAMING DIMENSIONS

A	B	C	D
62 1/4"	39"	23 1/2"	15 1/2"

10" Diameter x 1/2" Deep Recess Around Drain Core

Unit must be installed into a recessed pit -or- build up finished floor to comply with ADA threshold guidelines.

### STANDARD FEATURES

- High gloss gelcoat finish
- Low threshold entry
- Molded soap dishes
- HDPE fold up seat
- Stainless steel grab bar

### STANDARD CODES

- ANSI Z124.2
- ASTM F463
- ASTM E84
- SBCCI
- NAHB
- UPC

### ADA CODES

- ICC/ANSI A117.1
- HUD/ADA
- UFAS

(when fully equipped)  
Unit configured with standard features, pressure balanced control valve and hand held shower package.

Confirm any requested loose accessories desired by circling the items on page one.

Submittal drawing required for Prepackaged model. **NO MODIFICATIONS ACCEPTED.**

All built to order model configurations and submittal drawings must be ordered.

UPC/SKU NUMBERS Left Hand Valve: \_\_\_\_\_ Right Hand Valve: \_\_\_\_\_

This model included in the **PRAXIS QUALITY INSTALLATION ASSURANCE PROGRAM.** Important installation procedures **MUST** be followed for the fixture to be granted a warranty.

**ATTENTION PLUMBING CONTRACTOR!!!** THIS ORDER WILL NOT BE PROCESSED UNLESS THIS DOCUMENT IS SIGNED, DATED AND A CONTACT PHONE NUMBER OF THE PLUMBING CONTRACTOR IS PROVIDED. FOR ORDERS OF FOUR OR MORE UNITS, PARTICIPATION IN THE PRAXIS QUALITY INSTALLATION ASSURANCE PROGRAM IS MANDATORY FOR ACTIVATION OF PRODUCT WARRANTY.

Signed:  Date:  Contact Phone Number:

Praxis Quality Installation Assurance Program Information: Phone: (800)-759-7744 ext: 29.

Customer Service: (800)-443-7269 Fax: (731)-925-0379

# Commercial Showers & Tub Showers

## 62" Gelcoat Shower



**Hamilton**  
BATHWARE

### MAS Roll-In Showers ONE-PIECE GELCOAT

<b>707B-</b> NO MODIFICATIONS TO PACKAGES. FOR BUILT TO ORDER UNIT, SELECT BASE UNIT AND ACCESSORIES.		
<b>PKG ONE-MAS: G 6233 IBS MAS</b>		<b>List: \$1931</b>
.75" NO RECESS BF THRESHOLD	MUDSET	
Handed by SEAT L/R	WHITE POLYESTER GELCOAT FINISH	
Factory Installed Accessories (VALVE/SHOWER KIT NOT INCLUDED IN PKG1)		
L-BAR	27" X 37" X 1.25 PEENED SS	
SEAT	26" X 21" FRAMELESS WHITE PADDED	
FOR MAS COMPLIANCE WITH SEAT: NO CURB ALLOWED, INSTALLED ACCESSORIES MUST INCLUDE: PEENED OR TEXTURED L-BAR, PADDED SEAT, PRESSURE BALANCING MIXING VALVE, HAND HELD SHOWER WITH SLIDE BAR (BACK WALL, WITH IN REACH OF SEATED USER), VACUUM BREAKER AND 60" HOSE. UNIT AND ACCESSORIES INSTALLED PER MAS & PRAXIS INSTALLATION & WARRANTY GUIDELINES.		
<b>BUILD TO ORDER BASE PLUS ACCESSORIES</b>		
<b>BASE UNIT 1: G 6233 I MAS</b>		<b>List: \$960</b>
SPECIFY THRESHOLD HEIGHT	MUDSET	
Handed by SEAT L/R		
Reinforced for Standard Accessories		
<b>BASE UNIT OPTIONAL ACCESSORIES</b>		<b>List: \$</b>
<b>FINISHES</b>		
STANDARD FINISH- POLYESTER GELCOAT FINISH: WHITE, BONE, BISCUIT		\$0
<b>GRAB BARS</b>		
S-BAR	24" X 1.25" PEENED SS	\$136
S-BAR	24" X 1.25" TEXTURED WHITE	\$157
L-BAR	27" X 37" X 1.25 PEENED SS	\$248
L-BAR	27" X 37" X 1.25 TEXTURED WHITE	\$304
<b>INSIDE CURTAIN LINE SEATS (REVISED ADA-ABA 2004)</b>		
SEAT	26" X 21" FRAMELESS WHITE PADDED	\$723
<b>FACTORY MODIFICATIONS</b>		
MOD	VALVE DRILLING - SPECIFY HOLE SIZE	\$56
MOD	2" BF THRESHOLD	\$0
MOD	.75" NO RECESS BF THRESHOLD	\$111
MOD	TUBGUARD P3 PROTECTION 60" X 30" ADA	\$86
MOD	ARMORSHIELD P3 PROTECTION	\$149
MOD	INSTALL 30" SLIDE BAR / HS KIT	\$411
MOD	INSTALL STANDARD SYMMONS VALVE PACKAGE	\$633
MOD	INSTALL HANS GROHE THERMOSTATIC VALVE PACKAGE (XLT)	\$501
MOD	INSTALL POWERS VALVE PACKAGE (XLT)	\$656
<b>CURTAIN RODS</b>		
ROD	CURTAIN ROD U CUP HOLDER PAIR	\$14
ROD	1" OD 20 GAUGE SS	\$71
ROD	1" OD 20 GAUGE WHITE	\$138
<b>FIELD INSTALLED ACCESSORIES</b>		
LOOSE	CURTAIN PREMIUM 66" X 72" WHITE NYLON WTD	\$180
LOOSE	CURTAIN HEAVY DUTY 66" X 72" WHITE VINYL WTD	\$119
LOOSE	TUBGUARD P3 PRO FIELD INST 60" X 30"	\$74

**ADDITIONAL ACCESSORIES AND SERVICES MAY BE AVAILABLE UPON REQUEST**

Special Notes: This unit complies with MAS, ANSI Z124.2, NAHB, UPC, ASTM F462, ASTM E84.  
Warranty: Gelcoat models have a 3 year limited warranty. Acrylic models have a 5 year limited warranty.  
Pumps, parts, and accessories 1 year limited warranty. For further details please refer to the complete warranty section.

Due to the nature of the materials, dimensions may vary +/- 1/2".

DRAWING REQUEST MUST BE MADE FOR PACKAGE 2 DRAWING AND BUILT TO ORDER UNITS.



### G 6233 IBS MAS

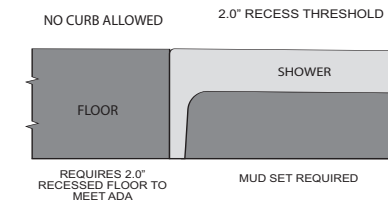
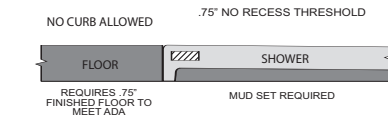
PHOTOGRAPH AT LEFT ILLUSTRATES PACKAGE ONE (HANDED BY SEAT LEFT)

**Sanitary Grade Polyester Gelcoat  
Three Year Warranty**

#### Primary Applications:

- Healthcare
- College Dormitory
- Hospitality
- Schools
- Assisted Living

#### MAS Roll-In Shower Threshold Requirements:



**707B**

rev. 09/25/07

### G 6233 I MAS

OD: 62" x 33" x 78.75"

ID: 60" x 30" CENTER POINT

WEIGHT: 200

LOAD FACTOR: 1.30

**HANDED BY: SEAT L/R**



### Hamilton Bathware/Praxis Companies, LLC.

435 Industrial Road, Savannah • Tennessee 38372 • Customer Service: 800.326.5489 • Fax: 888.246.0466 • www.hamiltonbathware.com

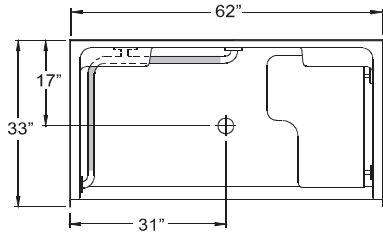
**Product Availability  
Hamilton Northeast  
STD-STANDARD LEADTIME**

**Product Availability  
Hamilton Mid-America  
STD-STANDARD LEADTIME**

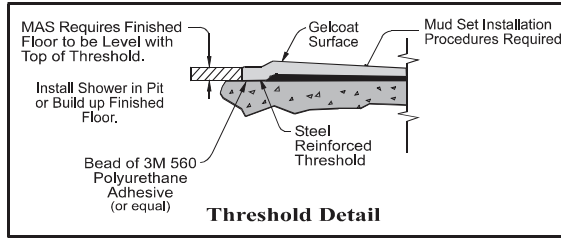
**Product Availability  
Hamilton South  
STD-STANDARD LEADTIME**

# PACKAGE ONE - MAS G 6233 IBS MAS

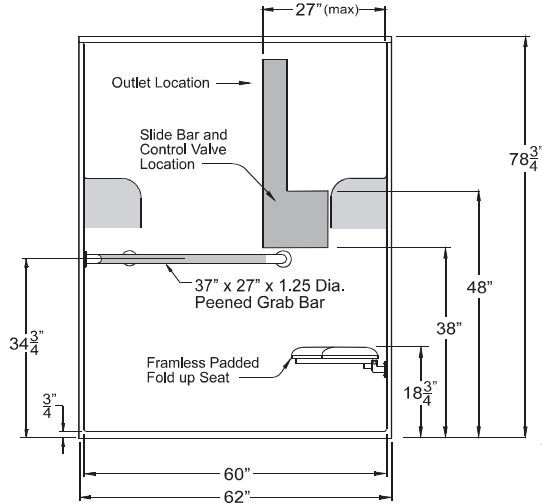
No modifications accepted (Packaged units only)



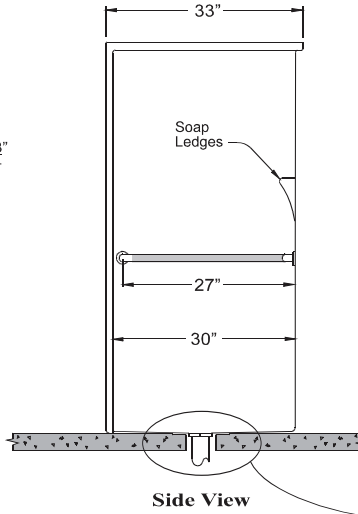
Top View



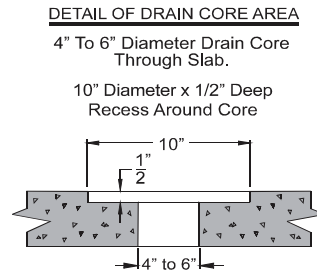
Threshold Detail



Front View



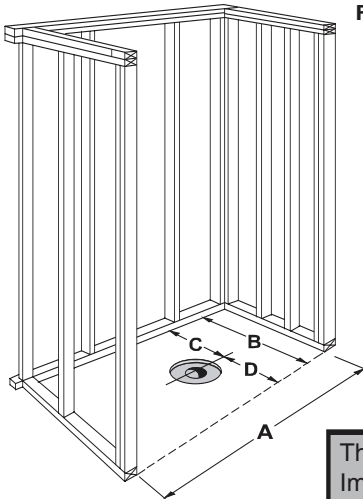
Side View



NOTE: Due to the nature of the materials, dimension may vary  $\pm 1/2$ ".

## MAS COMPLIANCE REQUIREMENTS

For MAS compliance with seat: Installed accessories must include: L-shaped padded fold up seat, horizontal L-grab bar, pressure balancing mixing valve, hand held shower with 30" slide bar (on back wall within reach of seated user), vacuum breaker and 60" hose. Unit and accessories must be installed per MAS and Praxis guidelines.



### FRAMING DIMENSIONS

A	B	C	D
62 $\frac{1}{4}$ "	33"	17"	16"

10" Diameter x 1/2" Deep Recess Around Drain Core  
Unit must be installed into a recessed pit -or- build up finished floor to comply with MAS threshold guidelines.

### STANDARD FEATURES

- High gloss gelcoat finish
- Low threshold entry
- Molded soap dishes
- Padded fold up seat
- Stainless steel grab bar

### STANDARD CODES

- ANSI Z124.2
- ASTM F463
- ASTM E84
- SBCCI
- NAHB
- UPC

### MASSACHUSETTS ARCHITECTURAL ACCESS BOARD

- MAS

(when fully equipped)  
Unit configured with standard features, pressure balanced control valve and hand held shower package.

Confirm any requested loose accessories desired by circling the items on page one.  
Submittal drawing required for Prepackaged model. **NO MODIFICATIONS ACCEPTED.**  
All built to order model configurations and submittal drawings must be ordered.

UPC/SKU NUMBERS Left Hand Valve: \_\_\_\_\_ Right Hand Valve: \_\_\_\_\_

This model included in the **PRAXIS QUALITY INSTALLATION ASSURANCE PROGRAM.** Important installation procedures **MUST** be followed for the fixture to be granted a warranty.

**ATTENTION PLUMBING CONTRACTOR!!! THIS ORDER WILL NOT BE PROCESSED UNLESS THIS DOCUMENT IS SIGNED, DATED AND A CONTACT PHONE NUMBER OF THE PLUMBING CONTRACTOR IS PROVIDED. FOR ORDERS OF FOUR OR MORE UNITS, PARTICIPATION IN THE PRAXIS QUALITY INSTALLATION ASSURANCE PROGRAM IS MANDATORY FOR ACTIVATION OF PRODUCT WARRANTY.**

Signed:  Date:  Contact Phone Number:

Praxis Quality Installation Assurance Program Information: Phone: (800)-759-7744 ext: 29.

Customer Service: (800)-443-7269 Fax: (731)-925-0379



# Commercial Showers & Tub Showers

## 38" Gelcoat Shower



**Hamilton**  
BATHWARE

### ADA Transfer Showers ONE-PIECE GELCOAT

<b>708- NO MODIFICATIONS TO PACKAGES. FOR BUILT TO ORDER UNIT, SELECT BASE UNIT AND ACCESSORIES.</b>		
<b>PKG ONE-ADA/ANSI: G 3838 IBS</b>		<b>List: \$2025</b>
.5" NO RECESS BF THRESHOLD MUDSET		
Handed by Valve Wall L/R WHITE POLYESTER GELCOAT FINISH		
Factory Installed Accessories (VALVE/SHOWER KIT NOT INCLUDED IN PKG1)		
L-BAR	33.5" X 18" X 1.5" SMOOTH SS	
S-BAR	24" X 1.5" SMOOTH SS	
SEAT	32" X 21" FRAMELESS WHITE HDPE RAD FOLD UP	
FOR ADA/ANSI COMPLIANCE: 0.5" CURB ALLOWED, INSTALLED ACCESSORIES MUST INCLUDE: L-BAR AND VERTICAL GRAB BAR, L-SEAT, PRESSURE BALANCING MIXING VALVE, HAND HELD SHOWER WITH SLIDE BAR, VACUUM BREAKER AND 60" HOSE. UNIT AND ACCESSORIES INSTALLED PER ADA/ANSI & PRAXIS INSTALLATION & WARRANTY GUIDELINES.		
<b>BUILD TO ORDER BASE PLUS ACCESSORIES</b>		
<b>BASE UNIT 1: G 3838 I</b>		<b>List: \$952</b>
SPECIFY THRESHOLD HEIGHT MUDSET		
Handed by Valve Wall L/R		
Reinforced for Standard Accessories		
<b>BASE UNIT OPTIONAL ACCESSORIES</b>		<b>List:</b>
<b>FINISHES</b>		
STANDARD FINISH- POLYESTER GELCOAT FINISH: WHITE, BONE, BISCUIT		\$0
<b>GRAB BARS</b>		
S-BAR	24" X 1.5" SMOOTH SS	\$128
S-BAR	24" X 1.25" SMOOTH WHITE	\$154
L-BAR	33.5" X 18" X 1.5" SMOOTH SS	\$198
L-BAR	33.5" X 18" X 1.25" SMOOTH WHITE CC	\$313
<b>INSIDE CURTAIN LINE SEATS (REVISED ADA-ABA 2004)</b>		
SEAT	32" X 21" FRAMELESS WHITE HDPE RAD FOLD UP	\$747
SEAT	32" X 21" FRAMELESS WHITE PADDED RAD FOLD UP	\$747
SEAT	32" X 21" FRAMELESS WOODGRAIN PHENOLIC RAD FOLD UP	\$747
<b>FACTORY MODIFICATIONS</b>		
MOD	VALVE DRILLING - SPECIFY HOLE SIZE	\$56
MOD	.5" NO RECESS BF THRESHOLD	\$111
MOD	2" BF THRESHOLD	\$0
MOD	INSTALL STANDARD SYMMONS VALVE PACKAGE	\$633
MOD	INSTALL HANS GROHE THERMOSTATIC VALVE PACKAGE (XLT)	\$501
MOD	INSTALL POWERS VALVE PACKAGE (XLT)	\$656
MOD	INSTALL 30" SLIDE BAR / HS KIT	\$411
MOD	ARMORSHIELD P3 PROTECTION	\$149
MOD	TUBGUARD P3 PROTECTION 36" ADA	\$86
<b>CURTAIN RODS</b>		
ROD	CURTAIN ROD U CUP HOLDER PAIR	\$14
ROD	1" OD 20 GAUGE SS	\$71
ROD	1" OD 20 GAUGE WHITE	\$138
<b>FIELD INSTALLED ACCESSORIES</b>		
LOOSE	CURTAIN PREMIUM 42" X 72" WHITE NYLON WTD	\$118
LOOSE	CURTAIN HEAVY DUTY 42" X 72" WHITE VINYL WTD	\$96
LOOSE	TUBGUARD P3 PRO FIELD INST 36" ADA	\$74
<b>ADDITIONAL ACCESSORIES AND SERVICES MAY BE AVAILABLE UPON REQUEST</b>		



### G 3838 IBS

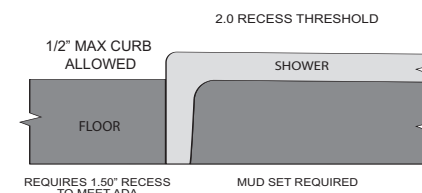
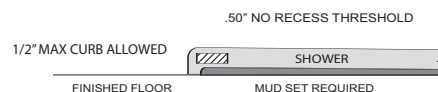
PHOTOGRAPH AT LEFT ILLUSTRATES PACKAGE ONE (HANDED BY VALVE WALL RIGHT)

**Sanitary Grade Polyester Gelcoat Three Year Warranty**

#### Primary Applications:

- Healthcare
- College Dormitory
- Hospitality
- Schools
- Public Buildings

#### ADA Transfer Shower Threshold Requirements:



**708**

rev. 09/25/07

**G 3838 I**

OD: 38" x 39" x 78.25"

ID: 36" x 36" CENTER POINT

WEIGHT: 160

LOAD FACTOR: 1.06

**HANDED BY: VALVE WALL L/R**

Special Notes: This unit complies with ANSI Z124.2, ICC/ANSI A117.1, UPC, HUD, ASTM F462, ASTM E84, ADA, ABA, SBCCI, NAHB, UFAS.

Warranty: Gelcoat models have a 3 year limited warranty. Acrylic models have a 5 year limited warranty. Pumps, parts, and accessories 1 year limited warranty. For further details please refer to the complete warranty section.

Due to the nature of the materials, dimensions may vary +/- 1/2".

DRAWING REQUEST MUST BE MADE FOR PACKAGE 2 DRAWING AND BUILT TO ORDER UNITS.

**Hamilton Bathware/Praxis Companies, LLC.**

435 Industrial Road, Savannah • Tennessee 38372 • Customer Service: 800.326.5489 • Fax: 888.246.0466 • www.hamiltonbathware.com



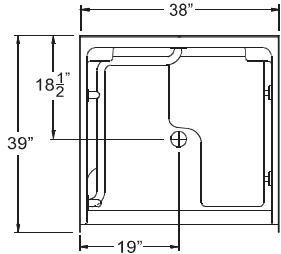
**Product Availability**  
**Hamilton Northeast**  
**XL-EXTENDED LEADTIME**

**Product Availability**  
**Hamilton Mid-America**  
**XL-EXTENDED LEADTIME**

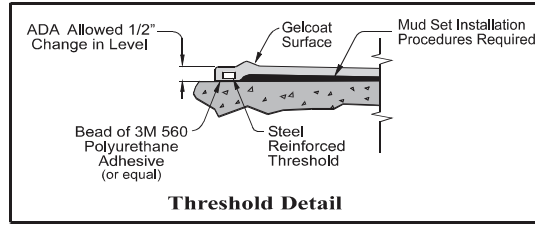
**Product Availability**  
**Hamilton South**  
**STD-STANDARD LEADTIME**

# PACKAGE ONE - ADA/ANSI G 3838 IBS

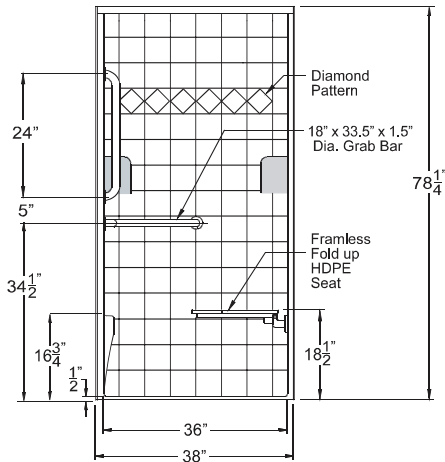
No modifications accepted (Packaged units only)



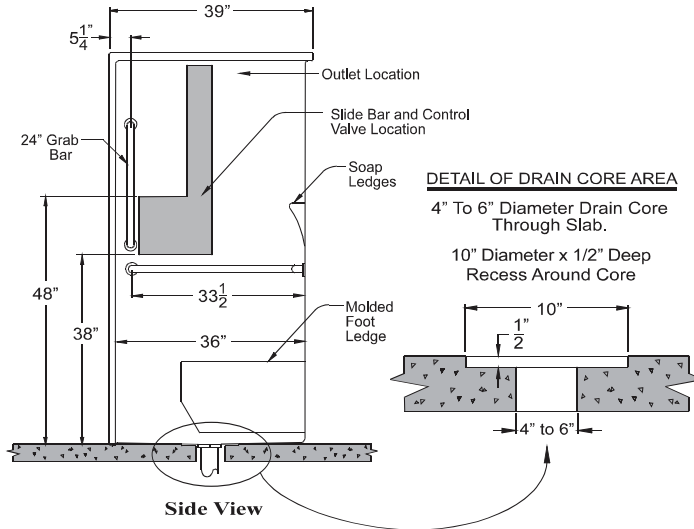
Top View



Threshold Detail



Front View

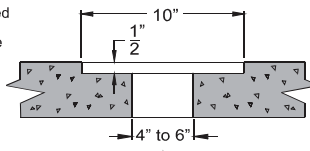


Side View

**DETAIL OF DRAIN CORE AREA**

4" To 6" Diameter Drain Core Through Slab.

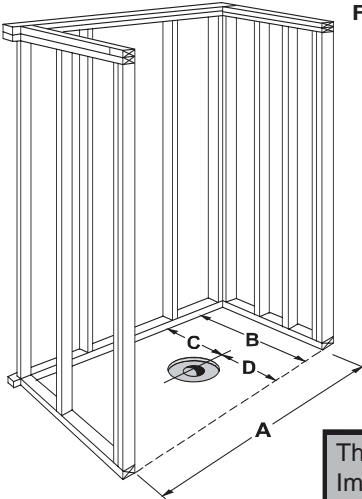
10" Diameter x 1/2" Deep Recess Around Core



NOTE: Due to the nature of the materials, dimension may vary + - 1/2".

## ADA COMPLIANCE REQUIREMENTS

For ADA compliance, unit must be configured with L-shaped fold up seat, horizontal L-grab bar, vertical grab bar near the entry, pressure balancing mixing valve, hand held shower with slide bar, vacuum breaker and 60" hose. Unit must be installed so threshold is no more than 1/2" above the finished floor. Unit and accessories must be installed per ADA and Praxis guidelines.



**FRAMING DIMENSIONS**

A	B	C	D
38 1/4"	39"	18 1/2"	20 1/2"

10" Diameter x 1/2" Deep Recess Around Drain Core

**STANDARD FEATURES**

- High gloss gelcoat finish
- Low threshold entry
- Corner accessory shelves
- Simulated tile pattern
- HDPE fold up seat
- Stainless steel grab bars

**STANDARD CODES**

- ANSI Z124.2
- ASTM F463
- ASTM E84
- SBCCI
- NAHB
- UPC

**ADA CODES**

- ICC/ANSI A117.1
- HUD/ADA
- UFAS

(when fully equipped)  
Unit configured with standard features, pressure balanced control valve and hand held shower package.

Confirm any requested loose accessories desired by circling the items on page one. Submittal drawing required for Prepackaged model. **NO MODIFICATIONS ACCEPTED.** All built to order model configurations and submittal drawings must be ordered.

**UPC/SKU NUMBERS** Left Hand Valve: \_\_\_\_\_ Right Hand Valve: \_\_\_\_\_

This model included in the **PRAXIS QUALITY INSTALLATION ASSURANCE PROGRAM.** Important installation procedures **MUST** be followed for the fixture to be granted a warranty.

**ATTENTION PLUMBING CONTRACTOR!!! THIS ORDER WILL NOT BE PROCESSED UNLESS THIS DOCUMENT IS SIGNED, DATED AND A CONTACT PHONE NUMBER OF THE PLUMBING CONTRACTOR IS PROVIDED. FOR ORDERS OF FOUR OR MORE UNITS, PARTICIPATION IN THE PRAXIS QUALITY INSTALLATION ASSURANCE PROGRAM IS MANDATORY FOR ACTIVATION OF PRODUCT WARRANTY.**

Signed:  Date:  Contact Phone Number:

Praxis Quality Installation Assurance Program Information: Phone: (800)-759-7744 ext: 29.  
Customer Service: (800)-443-7269 Fax: (731)-925-0379

# 39" Gelcoat Shower



Hamilton  
BATHWARE

## ADA Transfer Showers ONE-PIECE GELCOAT

**709A-** NO MODIFICATIONS TO PACKAGES. FOR BUILT TO ORDER UNIT, SELECT BASE UNIT AND ACCESSORIES.

<b>PKG ONE-ADA/ANSI: G 3698 IBS</b>	<b>List: \$1931</b>
.5" NO RECESS BF THRESHOLD	MUDSET
Handed by Valve Wall L/R	WHITE POLYESTER GELCOAT FINISH
Factory Installed Accessories (VALVE/SHOWER KIT NOT INCLUDED IN PKG1)	
L-BAR	33.5" X 18" X 1.5" SMOOTH SS
S-BAR	24" X 1.5" SMOOTH SS
SEAT	32" X 21" FRAMELESS WHITE HDPE FOLD UP

FOR ADA COMPLIANCE, INSTALLED ACCESSORIES MUST INCLUDE L-BAR AND VERTICAL S-BAR, L-SEAT, PRESSURE BALANCING MIXING VALVE, HAND HELD SHOWER WITH SLIDE BAR, VACUUM BREAKER AND 60" HOSE. UNIT AND ACCESSORIES INSTALLED PER ADA/ANSI AND PRAXIS INSTALLATION & WARRANTY GUIDELINES.

### BUILD TO ORDER BASE PLUS ACCESSORIES

<b>BASE UNIT 1: G 3698 I</b>	<b>List: \$858</b>
SPECIFY THRESHOLD HEIGHT	MUDSET
Handed by Valve Wall L/R	
Reinforced for Standard Accessories	

<b>BASE UNIT OPTIONAL ACCESSORIES</b>	<b>List:</b>
<b>FINISHES</b>	
STANDARD FINISH- POLYESTER GELCOAT FINISH: WHITE, BONE, BISCUIT	\$0

<b>GRAB BARS</b>		
S-BAR	24" X 1.5" SMOOTH SS	\$128
S-BAR	24" X 1.25" SMOOTH WHITE	\$154
L-BAR	33.5" X 18" X 1.5" SMOOTH SS	\$198
L-BAR	33.5" X 18" X 1.25" SMOOTH WHITE CC -INSIDE	\$313

<b>INSIDE CURTAIN LINE SEATS (REVISED ADA-ABA 2004)</b>		
SEAT	32" X 21" FRAMELESS WHITE HDPE FOLD UP	\$747
SEAT	32" X 21" FRAMELESS WHITE PADDED FOLD UP	\$747
SEAT	32" X 21" FRAMELESS WOODGRAIN PHENOLIC FOLD UP	\$747

<b>FACTORY MODIFICATIONS</b>		
MOD	VALVE DRILLING - SPECIFY HOLE SIZE	\$56
MOD	.5" NO RECESS BF THRESHOLD	\$111
MOD	2" BF THRESHOLD	\$0
MOD	INSTALL STANDARD SYMMONS VALVE PACKAGE	\$633
MOD	INSTALL HANS GROHE THERMOSTATIC VALVE PACKAGE (XLT)	\$501
MOD	INSTALL POWERS VALVE PACKAGE (XLT)	\$656
MOD	INSTALL 30" SLIDE BAR / HS KIT	\$411
MOD	ARMORSHIELD P3 PROTECTION	\$149
MOD	TUBGUARD P3 PROTECTION 36" ADA	\$86

<b>CURTAIN RODS</b>		
ROD	CURTAIN ROD U CUP HOLDER PAIR	\$14
ROD	1" OD 20 GAUGE SS	\$71
ROD	1" OD 20 GAUGE WHITE	\$138

<b>FIELD INSTALLED ACCESSORIES</b>		
LOOSE	CURTAIN PREMIUM 42" X 72" WHITE NYLON WTD	\$118
LOOSE	CURTAIN HEAVY DUTY 42" X 72" WHITE VINYL WTD	\$96
LOOSE	TUBGUARD P3 PRO FIELD INST 36" ADA	\$74

ADDITIONAL ACCESSORIES AND SERVICES MAY BE AVAILABLE UPON REQUEST

Special Notes: This unit complies with ANSI Z124.2, ICC/ANSI A117.1, UPC, HUD, ASTM F462, ASTM E84, ADA, ABA, SBCCI, NAHB, UFAS. For TAS compliant unit, see Comfort Designs XST3938BF.5

Warranty: Gelcoat models have a 3 year limited warranty. Acrylic models have a 5 year limited warranty. Pumps, parts, and accessories 1 year limited warranty. For further details please refer to the complete warranty section.

Due to the nature of the materials, dimensions may vary +/- 1/2".

DRAWING REQUEST MUST BE MADE FOR PACKAGE 2 DRAWING AND BUILT TO ORDER UNITS.

Hamilton Bathware/Praxis Companies, LLC.

435 Industrial Road, Savannah • Tennessee 38372 • Customer Service: 800.326.5489 • Fax: 888.246.0466 • www.hamiltonbathware.com



## G 3698 IBS

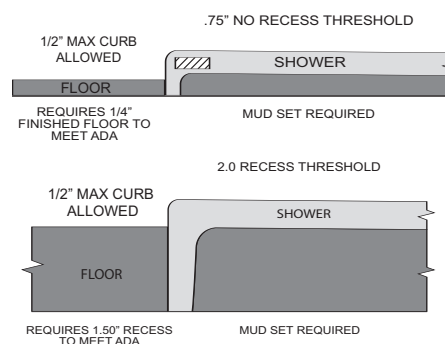
PHOTOGRAPH AT LEFT ILLUSTRATES PACKAGE ONE (HANDED BY VALVE WALL LEFT)

**Sanitary Grade Polyester Gelcoat Three Year Warranty**

### Primary Applications:

- Healthcare
- College Dormitory
- Hospitality
- Schools
- Assisted Living

### ADA Transfer Shower Threshold Requirements:



**709A** rev. 09/25/07

### G 3698 I

OD: 39" x 39.5" x 77"

ID: 36" X 36" CENTER POINT

WEIGHT: 160

LOAD FACTOR: 1.06

HANDED BY: VALVE WALL L/R



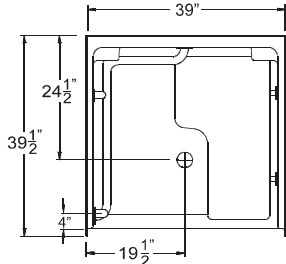
Product Availability  
Hamilton Northeast  
STD-STANDARD LEADTIME

Product Availability  
Hamilton Mid-America  
STD-STANDARD LEADTIME

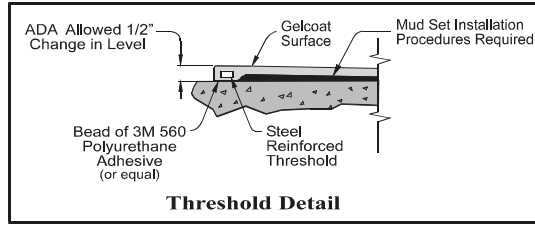
Product Availability  
Hamilton South  
STD-STANDARD LEADTIME

# PACKAGE ONE - ADA/ANSI G 3698 IBS

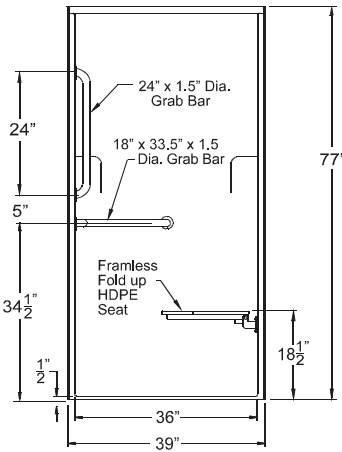
No modifications accepted (Packaged units only)



Top View

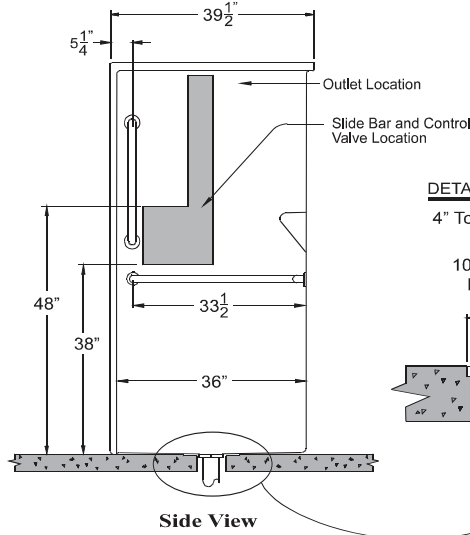


Threshold Detail



Front View

NOTE: Due to the nature of the materials, dimension may vary + - 1/2".

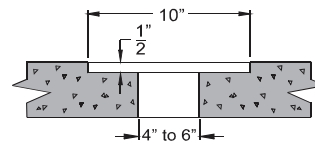


Side View

### DETAIL OF DRAIN CORE AREA

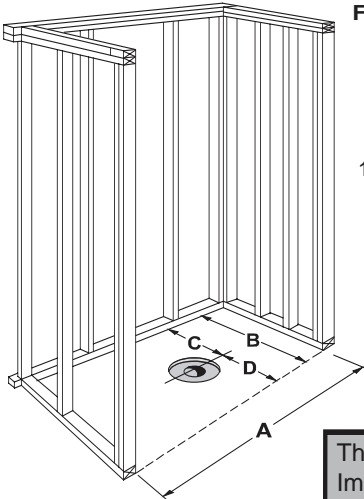
4" To 6" Diameter Drain Core Through Slab.

10" Diameter x 1/2" Deep Recess Around Core



## ADA COMPLIANCE REQUIREMENTS

For ADA compliance, unit must be configured with L-shaped fold up seat, horizontal L-grab bar, vertical grab bar near the entry, pressure balancing mixing valve, hand held shower with slide bar, vacuum breaker and 60" hose. Unit must be installed so threshold is no more than 1/2" above the finished floor. Unit and accessories must be installed per ADA and Praxis guidelines.



### FRAMING DIMENSIONS

A	B	C	D
39 1/4"	39 1/2"	24 1/2"	15"

10" Diameter x 1/2" Deep Recess Around Drain Core

### STANDARD FEATURES

- High gloss gelcoat finish
- Low threshold entry
- Corner accessory shelves
- HDPE fold up seat
- Stainless steel grab bars

### STANDARD CODES

- ANSI Z124.2
- ASTM F463
- ASTM E84
- SBCCI
- NAHB
- UPC

### ADA CODES

- ICC/ANSI A117.1
- HUD/ADA
- UFAS

(when fully equipped)  
Unit configured with standard features, pressure balanced control valve and hand held shower package.

Confirm any requested loose accessories desired by circling the items on page one. Submittal drawing required for Prepackaged model. **NO MODIFICATIONS ACCEPTED.** All built to order model configurations and submittal drawings must be ordered.

UPC/SKU NUMBERS Left Hand Valve: \_\_\_\_\_ Right Hand Valve: \_\_\_\_\_

This model included in the **PRAXIS QUALITY INSTALLATION ASSURANCE PROGRAM.** Important installation procedures **MUST** be followed for the fixture to be granted a warranty.

**ATTENTION PLUMBING CONTRACTOR!!! THIS ORDER WILL NOT BE PROCESSED UNLESS THIS DOCUMENT IS SIGNED, DATED AND A CONTACT PHONE NUMBER OF THE PLUMBING CONTRACTOR IS PROVIDED. FOR ORDERS OF FOUR OR MORE UNITS, PARTICIPATION IN THE PRAXIS QUALITY INSTALLATION ASSURANCE PROGRAM IS MANDATORY FOR ACTIVATION OF PRODUCT WARRANTY.**

Signed:  Date:  Contact Phone Number:

Praxis Quality Installation Assurance Program Information: Phone: (800)-759-7744 ext: 29.

Customer Service: (800)-443-7269 Fax: (731)-925-0379

# Commercial Showers & Tub Showers

## 39" Gelcoat Shower



**Hamilton**  
BATHWARE

### MAS Transfer Showers ONE-PIECE GELCOAT

**709B-** NO MODIFICATIONS TO PACKAGES. FOR BUILT TO ORDER UNIT, SELECT BASE UNIT AND ACCESSORIES.

<b>PKG ONE-MAS: G 3698 IBS MAS</b>	<b>List: \$1758</b>
.5" NO RECESS BF THRESHOLD	MUDSET
Handed by Valve Wall L/R	WHITE POLYESTER GELCOAT FINISH
Factory Installed Accessories ( <b>VALVE/SHOWER KIT NOT INCLUDED IN PKG1</b> )	
L-BAR	33.5" x 18" x 1.25" PEENED SS-INSIDE
SEAT	32" X 21" FRAMELESS WHITE PADDED FOLD UP
<b>FOR MAS COMPLIANCE INSTALLED ACCESSORIES MUST INCLUDE PEENED OR TEXTURED L-BAR, PADDED L-SEAT, PRESSURE BALANCING MIXING VALVE, HAND HELD SHOWER WITH SLIDE BAR, VACUUM BREAKER AND 60" HOSE. UNIT AND ACCESSORIES INSTALLED PER MAS &amp; PRAXIS INSTALLATION &amp; WARRANTY GUIDELINES.</b>	

<b>BUILD TO ORDER BASE PLUS ACCESSORIES</b>	
<b>BASE UNIT 1: G 3698 I MAS</b>	<b>List: \$843</b>
SPECIFY THRESHOLD HEIGHT	MUDSET
Handed by Valve Wall L/R	
Reinforced for Standard Accessories	

<b>BASE UNIT OPTIONAL ACCESSORIES</b>	<b>List:</b>
<b>FINISHES</b>	
STANDARD FINISH- POLYESTER GELCOAT FINISH: WHITE, BONE, BISCUIT	\$0

<b>GRAB BARS</b>	
L-BAR	33.5" x 18" x 1.25" PEENED SS-INSIDE \$168
L-BAR	33.5" x 18" x 1.25" TEXTURED WHITE CC -INSIDE \$318

<b>INSIDE CURTAIN LINE SEATS (REVISED ADA-ABA 2004)</b>	
SEAT	32" X 21" FRAMELESS WHITE PADDED FOLD UP \$747

<b>FACTORY MODIFICATIONS</b>	
MOD	VALVE DRILLING -SPECIFY HOLE SIZE \$56
MOD	.5" NO RECESS BF THRESHOLD \$111
MOD	2" BF THRESHOLD \$0
MOD	INSTALL STANDARD SYMMONS VALVE PACKAGE \$633
MOD	INSTALL HANS GROHE THERMOSTATIC VALVE PACKAGE (XLT) \$501
MOD	INSTALL POWERS VALVE PACKAGE (XLT) \$656
MOD	INSTALL 30" SLIDE BAR / HS KIT \$411
MOD	ARMORSHIELD P3 PROTECTION \$149
MOD	TUBGUARD P3 PROTECTION 36" ADA \$86

<b>CURTAIN RODS</b>	
ROD	CURTAIN ROD U CUP HOLDER PAIR \$14
ROD	1" OD 20 GAUGE SS \$71
ROD	1" OD 20 GAUGE WHITE \$138

<b>FIELD INSTALLED ACCESSORIES</b>	
LOOSE	CURTAIN PREMIUM 42" X 72" WHITE NYLON WTD \$118
LOOSE	CURTAIN HEAVY DUTY 42" X 72" WHITE VINYL WTD \$96
LOOSE	TUBGUARD P3 PRO FIELD INST 36" ADA \$74

**ADDITIONAL ACCESSORIES AND SERVICES MAY BE AVAILABLE UPON REQUEST**



### G 3698 IBS MAS

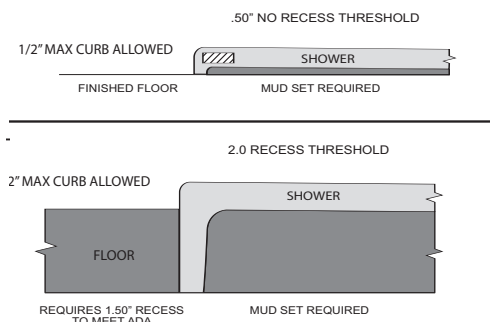
PHOTOGRAPH AT LEFT ILLUSTRATES PACKAGE ONE (HANDED BY VALVE WALL LEFT)

**Sanitary Grade Polyester Gelcoat Three Year Warranty**

#### Primary Applications:

- Healthcare
- College Dormitory
- Hospitality
- Schools

#### MAS Transfer Shower Threshold Requirements:



**709B** rev. 09/25/07

### G 3698 I MAS

OD: 39" x 39.5" x 77"

ID: 36" X 36" CENTER POINT

WEIGHT: 160

LOAD FACTOR: 1.06

**HANDED BY: VALVE WALL L/R**

Special Notes: This unit complies with MAS, ANSI Z124.2, NAHB, UPC, ASTM F462, ASTM E84.

Warranty: Gelcoat models have a 3 year limited warranty. Acrylic models have a 5 year limited warranty. Pumps, parts, and accessories 1 year limited warranty. For further details please refer to the complete warranty section.

Due to the nature of the materials, dimensions may vary +/- 1/2".

DRAWING REQUEST MUST BE MADE FOR PACKAGE 2 DRAWING AND BUILT TO ORDER UNITS.



### Hamilton Bathware/Praxis Companies, LLC.

435 Industrial Road, Savannah • Tennessee 38372 • Customer Service: 800.326.5489 • Fax: 888.246.0466 • www.hamiltonbathware.com

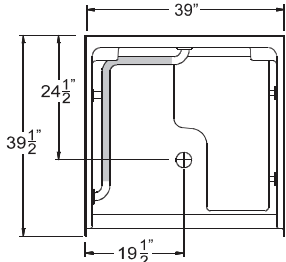
**Product Availability**  
**Hamilton Northeast**  
**STD-STANDARD LEADTIME**

**Product Availability**  
**Hamilton Mid-America**  
**STD-STANDARD LEADTIME**

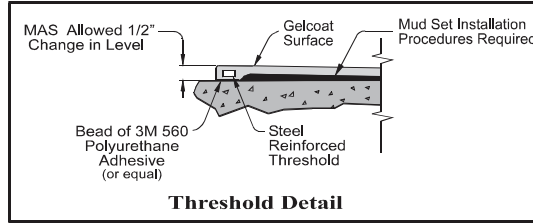
**Product Availability**  
**Hamilton South**  
**STD-STANDARD LEADTIME**

# PACKAGE ONE - MAS G 3698 IBS MAS

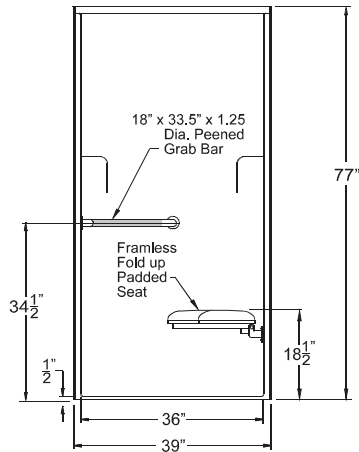
No modifications accepted (Packaged units only)



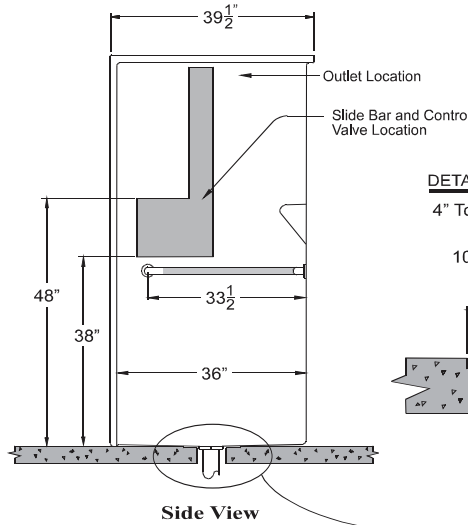
Top View



Threshold Detail



Front View

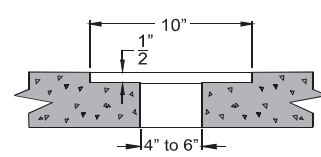


Side View

**DETAIL OF DRAIN CORE AREA**

4" To 6" Diameter Drain Core Through Slab.

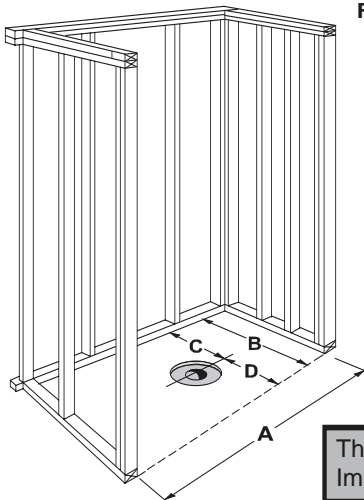
10" Diameter x 1/2" Deep Recess Around Core



NOTE: Due to the nature of the materials, dimension may vary + - 1/2".

## MAS COMPLIANCE REQUIREMENTS

For MAS compliance, installed accessories must include peened L-grab bar, padded fold up seat, pressure balancing mixing valve, hand-held shower with 30" slide bar, vacuum breaker and 60" hose. Unit must be installed so threshold is no more than 1/2" above the finished floor. Unit and accessories must be installed per MAS and Praxis Guidelines.



**FRAMING DIMENSIONS**

A	B	C	D
39 1/4"	39 1/2"	24 1/2"	15"

10" Diameter x 1/2" Deep Recess Around Drain Core

**STANDARD FEATURES**

- High gloss gelcoat finish
- Low threshold entry
- Corner accessory shelves
- Padded fold up seat
- Stainless steel grab bars

**STANDARD CODES**

- ANSI Z124.2
- ASTM F463
- ASTM E84
- SBCCI
- NAHB
- UPC

**MASSACHUSETTS ARCHITECTURAL ACCESS BOARD**

- MAS

(when fully equipped)  
Unit configured with standard features, pressure balanced control valve and hand held shower package.

Confirm any requested loose accessories desired by circling the items on page one. Submittal drawing required for Prepackaged model. **NO MODIFICATIONS ACCEPTED.** All built to order model configurations and submittal drawings must be ordered.

**UPC/SKU NUMBERS** Left Hand Valve: \_\_\_\_\_ Right Hand Valve: \_\_\_\_\_

This model included in the **PRAXIS QUALITY INSTALLATION ASSURANCE PROGRAM.** Important installation procedures **MUST** be followed for the fixture to be granted a warranty.

**ATTENTION PLUMBING CONTRACTOR!!! THIS ORDER WILL NOT BE PROCESSED UNLESS THIS DOCUMENT IS SIGNED, DATED AND A CONTACT PHONE NUMBER OF THE PLUMBING CONTRACTOR IS PROVIDED. FOR ORDERS OF FOUR OR MORE UNITS, PARTICIPATION IN THE PRAXIS QUALITY INSTALLATION ASSURANCE PROGRAM IS MANDATORY FOR ACTIVATION OF PRODUCT WARRANTY.**

Signed:  Date:  Contact Phone Number:

Praxis Quality Installation Assurance Program Information: Phone: (800)-759-7744 ext: 29.

Customer Service: (800)-443-7269 Fax: (731)-925-0379

# Commercial Showers & Tub Showers

## 60" Gelcoat Remodel Tub Shower



Hamilton  
BATHWARE

### ADA Tub Showers SECTIONAL GELCOAT

<b>710A- NO MODIFICATIONS TO PACKAGES. FOR BUILT TO ORDER UNIT, SELECT BASE UNIT AND ACCESSORIES.</b>	
<b>PKG ONE-ADA/ANSI/TAS: G 6017 TS FB IBS 2P</b>	<b>List: \$2112</b>
17.25" Apron	SHIM
Handed by Valve Wall L/R	WHITE POLYESTER GELCOAT FINISH
Factory Installed Accessories (VALVE/SHOWER KIT NOT INCLUDED IN PKG1)	
S-BAR	24" X 1.5" SMOOTH SS
S-BAR	24" X 1.5" SMOOTH SS
S-BAR	24" X 1.5" SMOOTH SS
S-BAR	24" X 1.5" SMOOTH SS
S-BAR	24" X 1.5" SMOOTH SS
SEAT	23.5" X 14.5" WOODGRAIN PHENOLIC FOLD UP
LOOSE	SELF-LOCKING PUSH PINS

FOR ADA/ANSI/TAS COMPLIANCE: SEAT AT HEAD END OF TUB SHALL BE PROVIDED AND SECURELY MOUNTED, INSTALLED ACCESSORIES MUST INCLUDE: 24" VERTICAL GRAB BAR ON VALVE WALL, 24" GRAB BAR ON VALVE WALL, TWO 24" GRAB BARS ON BACK WALL, 12" MIN. GRAB BAR ON HEAD WALL, PRESSURE BALANCING MIXING VALVE, HAND HELD SHOWER WITH SLIDE BAR, VACUUM BREAKER AND 60" HOSE. THE UNIT AND ACCESSORIES MUST BE INSTALLED PER ADA/ANSI/TAS & PRAXIS INSTALLATION & WARRANTY GUIDELINES.

### BUILD TO ORDER BASE PLUS ACCESSORIES

<b>BASE UNIT 1: G 6017 TS FB I 2P</b>	<b>List: \$975</b>
17.25" Apron	SHIM
Handed by Valve Wall L/R	
Reinforced for Standard Accessories	
LOOSE	SELF-LOCKING PUSH PINS

### BASE UNIT OPTIONAL ACCESSORIES

<b>FINISHES</b>		<b>List:</b>
STANDARD FINISH- POLYESTER GELCOAT FINISH: WHITE, BONE, BISCUIT		\$0
<b>GRAB BARS</b>		
S-BAR	24" X 1.5" SMOOTH SS	\$128
S-BAR	24" X 1.25" SMOOTH WHITE	\$154
<b>STANDARD SEATS (ATTACHED)</b>		
SEAT	23.5" X 14.5" WOODGRAIN PHENOLIC FOLD UP	\$520
<b>FACTORY MODIFICATIONS</b>		
MOD	VALVE DRILLING - SPECIFY HOLE SIZE	\$56
MOD	INSTALL STANDARD SYMMONS VALVE PACKAGE	\$633
MOD	INSTALL HANS GROHE THERMOSTATIC VALVE PACKAGE (XLT)	\$501
MOD	INSTALL POWERS VALVE PACKAGE (XLT)	\$656
MOD	INSTALL 30" SLIDE BAR / HS KIT	\$411
MOD	INSTALL SS SOAP DISH RECESSED	\$120
MOD	2" STANDARD ROUGH (16.25" APRON)	\$56
<b>CURTAIN RODS</b>		
ROD	CURTAIN ROD U CUP HOLDER PAIR	\$14
ROD	1" OD 20 GAUGE SS	\$71
ROD	1" OD 20 GAUGE WHITE	\$138
ROD	5' x 1" OD 20 GAUGE CHROME CURVED WITH BRACKETS	\$148
<b>FIELD INSTALLED ACCESSORIES</b>		
LOOSE	CURTAIN HEAVY DUTY 66" X 72" WHITE VINYL	\$119

ADDITIONAL ACCESSORIES AND SERVICES MAY BE AVAILABLE UPON REQUEST



### G 6017 TS FB IBS 2P

PHOTOGRAPH AT LEFT ILLUSTRATES PACKAGE ONE (HANDED BY VALVE WALL RIGHT)

**Sanitary Grade Polyester Gelcoat**  
**Three Year Warranty**

### WELL INFORMATION

WELL DEPTH: 10.25"
WELL L TO R: 50"
WELL FRONT TO BACK: 20"
GALLONS TO OVERFLOW: 35
SLOPE OF DRAIN: .25" per ft.

710A

rev. 09/25/07

### G 6017 TS FB I 2P

OD: 60" x 32.5" x 80.5"
3" ABOVE FLOOR ROUGH
WEIGHT: 200
LOAD FACTOR: 1.26
<b>HANDED BY: VALVE WALL L/R</b>

Special Notes: This unit complies with ANSI Z124.1, ICC/ANSI A117.1, UPC, HUD, ASTM F462, ASTM E84, ADA, ABA, SBCCI, NAHB.

Warranty: Gelcoat models have a 3 year limited warranty. Acrylic models have a 5 year limited warranty. Pumps, parts, and accessories 1 year limited warranty. For further details please refer to the complete warranty section.

Due to the nature of the materials, dimensions may vary +/- 1/2".

DRAWING REQUEST MUST BE MADE FOR PACKAGE 2 DRAWING AND BUILT TO ORDER UNITS.

### Hamilton Bathware/Praxis Companies, LLC.

435 Industrial Road, Savannah • Tennessee 38372 • Customer Service: 800.326.5489 • Fax: 888.246.0466 • www.hamiltonbathware.com



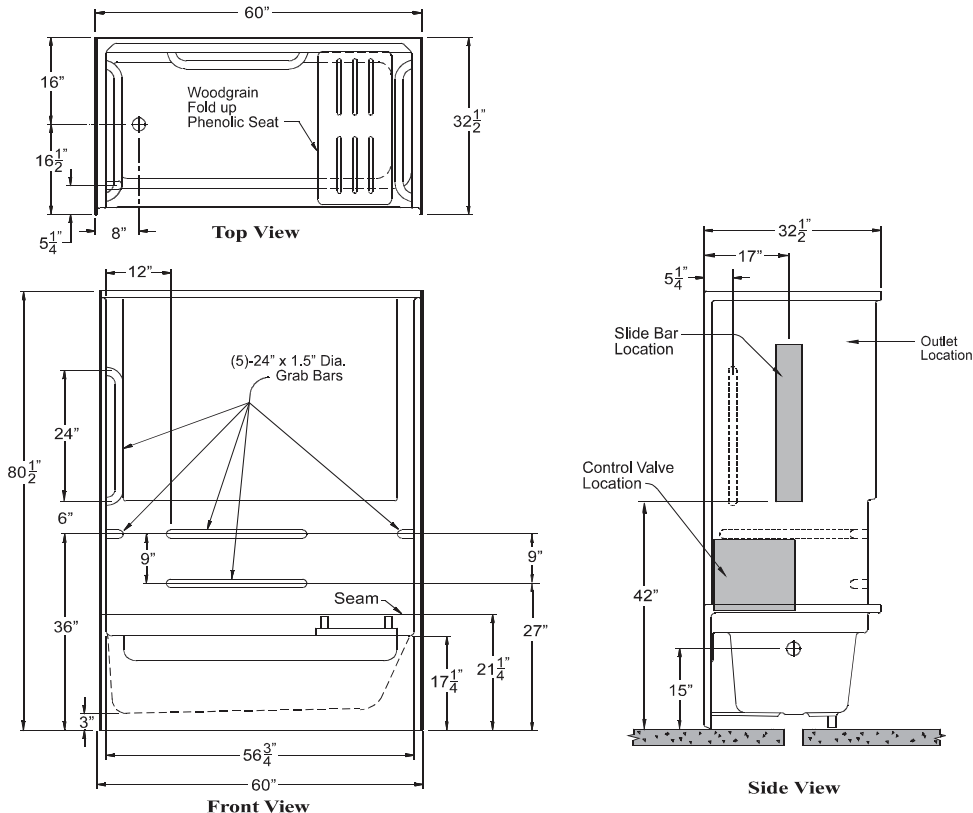
Product Availability  
Hamilton Northeast  
XLT-EXTENDED LEADTIME

Product Availability  
Hamilton Mid-America  
XLT-EXTENDED LEADTIME

Product Availability  
Hamilton South  
STD-STANDARD LEADTIME

# PACKAGE ONE - ADA/ANSI/TAS G 6017 TS FB IBS 2P

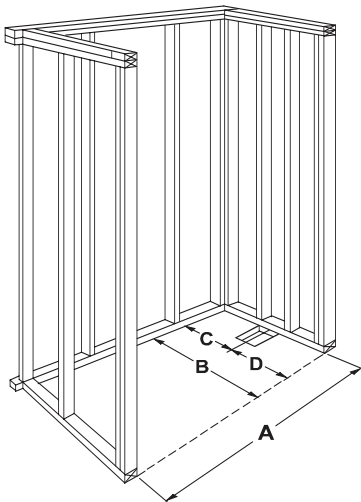
No modifications accepted (Packaged units only)



NOTE: Due to the nature of the materials, dimension may vary +/- 1/2".

## ADA/TAS COMPLIANCE REQUIREMENTS

For ADA/TAS compliance: seat securely mounted at head end, one horizontal grab bar mounted on the valve wall, two horizontal grab bars mounted on the back wall, one horizontal grab bar mounted on the head wall and one vertical grab bar mounted on the valve wall near the entry. Pressure balancing mixing valve, hand held shower with slide bar, vacuum breaker and 60" hose. Unit and accessories must be installed per ADA/TAS and Praxis guidelines.



### FRAMING DIMENSIONS

A	B	C	D
60 1/4"	32 1/2"	16"	16 1/2"

6" x 6" minimum opening in floor for drain connection

### STANDARD FEATURES

- High gloss gelcoat finish
- Two piece design
- Phenolic fold up seat
- Stainless steel grab bars

### STANDARD CODES

- ANSI Z124.1
- ASTM F463
- ASTM E84
- SBCCI
- NAHB
- UPC

### ADA CODES

- ICC/ANSI A117.1
- HUD/ADA
- UFAS
- TAS

(when fully equipped)  
Unit configured with standard features, pressure balanced control valve and hand held shower package.

Confirm any requested loose accessories desired by circling the items on page one. Submittal drawing required for Prepackaged model. **NO MODIFICATIONS ACCEPTED.** All built to order model configurations and submittal drawings must be ordered.

**UPC/SKU NUMBERS** Left Hand Valve: \_\_\_\_\_ Right Hand Valve: \_\_\_\_\_

**ATTENTION PLUMBING CONTRACTOR!!! THIS ORDER WILL NOT BE PROCESSED UNLESS THIS DOCUMENT IS SIGNED, DATED AND A CONTACT PHONE NUMBER OF THE PLUMBING CONTRACTOR IS PROVIDED.**

Signed:  Date:  Contact Phone Number:

Customer Service: (800)-443-7269 Fax: (731)-925-0379



# Commercial Showers & Tub Showers

## 60" Gelcoat Remodel Tub Shower



Hamilton  
BATHWARE

### MAS Tub Showers SECTIONAL GELCOAT

<b>710B- NO MODIFICATIONS TO PACKAGES. FOR BUILT TO ORDER UNIT, SELECT BASE UNIT AND ACCESSORIES.</b>		
<b>PKG ONE-MAS: G 6017 TS FB IBS 2P MAS</b>		<b>List: \$1665</b>
17.25" Apron		SHIM
Handed by Valve Wall L/R		WHITE POLYESTER GELCOAT FINISH
Factory Installed Accessories (VALVE/SHOWER KIT NOT INCLUDED IN PKG1)		
S-BAR	48" X 1.25" PEENED SS	
S-BAR	48" X 1.25" PEENED SS	
SEAT	26" X 15" WHITE TRI FOLD REMOVABLE	
LOOSE	SELF-LOCKING PUSH PINS	
FOR MAS COMPLIANCE: TRI FOLD REMOVABLE SEAT AT HEAD END OF TUB SHALL BE PROVIDED AND SECURELY MOUNTED, INSTALLED ACCESSORIES MUST INCLUDE: TWO 48" PEENED OR TEXTURED GRAB BARS ON BACK WALL, PRESSURE BALANCING MIXING VALVE, HAND HELD SHOWER WITH SLIDE BAR, VACUUM BREAKER AND 60" HOSE. UNIT AND ACCESSORIES INSTALLED PER MAS & PRAXIS INSTALLATION & WARRANTY GUIDELINES.		
<b>BUILD TO ORDER BASE PLUS ACCESSORIES</b>		
<b>BASE UNIT 1: G 6017 TS FB I 2P MAS</b>		<b>List: \$952</b>
17.25" Apron		SHIM
Handed by Valve Wall L/R		
Reinforced for Standard Accessories		
LOOSE	SELF-LOCKING PUSH PINS	
<b>BASE UNIT OPTIONAL ACCESSORIES</b>		<b>List:</b>
<b>FINISHES</b>		
STANDARD FINISH- POLYESTER GELCOAT FINISH: WHITE, BONE, BISCUIT		\$0
<b>GRAB BARS</b>		
S-BAR	48" X 1.25" PEENED SS	\$139
S-BAR	48" X 1.25" TEXTURED WHITE	\$329
<b>STANDARD SEATS (REMOVABLE)</b>		
SEAT	26" X 15" WHITE TRI FOLD REMOVABLE	\$434
<b>FACTORY MODIFICATIONS</b>		
MOD	VALVE DRILLING - SPECIFY HOLE SIZE	\$56
MOD	INSTALL STANDARD SYMMONS VALVE PACKAGE	\$633
MOD	INSTALL HANS GROHE THERMOSTATIC VALVE PACKAGE (XLT)	\$501
MOD	INSTALL POWERS VALVE PACKAGE (XLT)	\$656
MOD	INSTALL 30" SLIDE BAR / HS KIT	\$411
MOD	2" STANDARD ROUGH (16.25" APRON)	\$56
<b>CURTAIN RODS</b>		
ROD	CURTAIN ROD U CUP HOLDER PAIR	\$14
ROD	1" OD 20 GAUGE SS GROMMET STYLE	\$71
ROD	1" OD 20 GAUGE WHITE GROMMET STYLE	\$138
ROD	5' x 1" OD 20 GAUGE CHROME CURVED WITH BRACKETS	\$148
<b>FIELD INSTALLED ACCESSORIES</b>		
LOOSE	CURTAIN HEAVY DUTY 66" X 72" WHITE VINYL	\$119
<b>ADDITIONAL ACCESSORIES AND SERVICES MAY BE AVAILABLE UPON REQUEST</b>		



### G 6017 TS FB IBS 2P MAS

PHOTOGRAPH AT LEFT  
ILLUSTRATES PACKAGE ONE  
(HANDED BY VALVE WALL RIGHT)

**Sanitary Grade Polyester  
Gelcoat  
Three Year Warranty**

#### WELL INFORMATION

WELL DEPTH: 10.25"
WELL L TO R: 50"
WELL FRONT TO BACK: 20"
GALLONS TO OVERFLOW: 35
SLOPE OF DRAIN: .25" per ft.

**710B**

rev. 09/25/07

### G 6017 TS FB I 2P MAS

OD: 60" x 32.5" x 80.5"
3" ABOVE FLOOR ROUGH
WEIGHT: 200
LOAD FACTOR: 1.26
<b>HANDED BY: VALVE WALL L/R</b>

Special Notes: This unit complies with ANSI Z124.1, UPC, HUD, ASTM F462, ASTM E84, MAS, ABA, SBCCI, NAHB.

Warranty: Gelcoat models have a 3 year limited warranty. Acrylic models have a 5 year limited warranty. Pumps, parts, and accessories 1 year limited warranty. For further details please refer to the complete warranty section.

Due to the nature of the materials, dimensions may vary +/- 1/2".

DRAWING REQUEST MUST BE MADE FOR PACKAGE 2 DRAWING AND BUILT TO ORDER UNITS.



### Hamilton Bathware/Praxis Companies, LLC.

435 Industrial Road, Savannah • Tennessee 38372 • Customer Service: 800.326.5489 • Fax: 888.246.0466 • www.hamiltonbathware.com

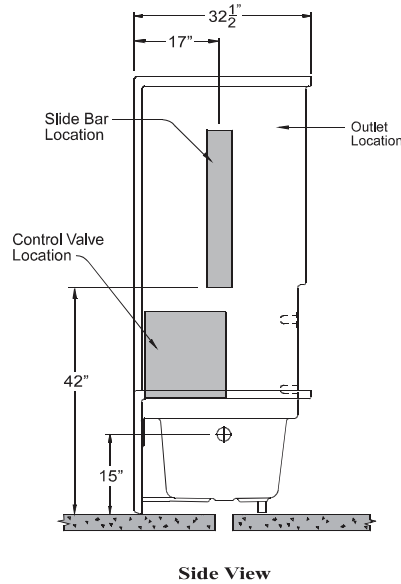
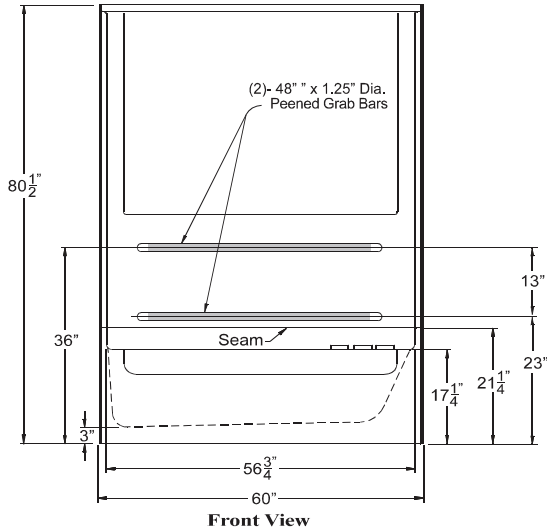
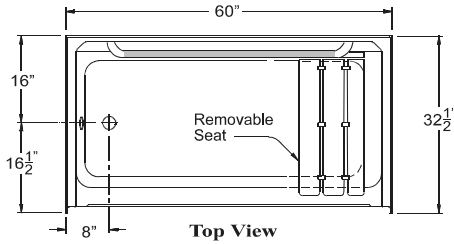
**Product Availability  
Hamilton Northeast  
XLT-EXTENDED LEADTIME**

**Product Availability  
Hamilton Mid-America  
XLT-EXTENDED LEADTIME**

**Product Availability  
Hamilton South  
STD-STANDARD LEADTIME**

# PACKAGE ONE - MAS G 6017 TS FB IBS 2P MAS

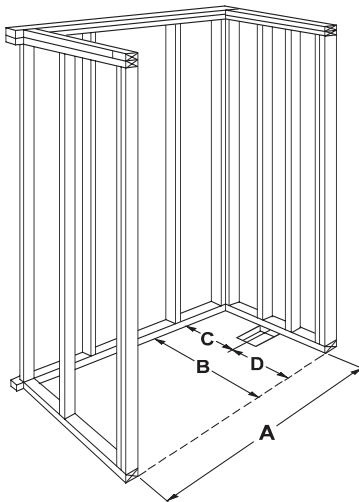
No modifications accepted (Packaged units only)



NOTE: Due to the nature of the materials, dimension may vary +/- 1/2".

## MAS COMPLIANCE REQUIREMENTS

For MAS compliance: removable seat securely mounted at head end, two horizontal grab bars mounted on the back wall. Pressure balancing mixing valve, hand held shower with slide bar, vacuum breaker and 60" hose. Unit and accessories installed per MAS and Praxis guidelines.



### FRAMING DIMENSIONS

A	B	C	D
60 1/4"	32 1/2"	16"	16 1/2"

6" x 6" minimum opening in floor for drain connection

### STANDARD FEATURES

- High gloss gelcoat finish
- Two piece design
- Removable seat
- Stainless steel grab bars

### STANDARD CODES

- ANSI Z124.1
- ASTM F463
- ASTM E84
- SBCCI
- NAHB
- UPC

### MASSACHUSETTS ARCHITECTURAL ACCESS BOARD

MAS  
  
(when fully equipped)  
Unit configured with standard features, pressure balanced control valve and hand held shower package.

Confirm any requested loose accessories desired by circling the items on page one. Submittal drawing required for Prepackaged model. **NO MODIFICATIONS ACCEPTED.** All built to order model configurations and submittal drawings must be ordered.

**UPC/SKU NUMBERS** Left Hand Valve: \_\_\_\_\_ Right Hand Valve: \_\_\_\_\_

**ATTENTION PLUMBING CONTRACTOR!!! THIS ORDER WILL NOT BE PROCESSED UNLESS THIS DOCUMENT IS SIGNED, DATED AND A CONTACT PHONE NUMBER OF THE PLUMBING CONTRACTOR IS PROVIDED.**

Signed:  Date:  Contact Phone Number:

Customer Service: (800)-443-7269 Fax: (731)-925-0379

# 64" Gelcoat Remodel Shower



Hamilton  
BATHWARE

## ADA Roll-In Showers SECTIONAL GELCOAT

**711A-** NO MODIFICATIONS TO PACKAGES. FOR BUILT TO ORDER UNIT, SELECT BASE UNIT AND ACCESSORIES.

<b>PKG ONE-ADA/ANSI: G 6037 IBS 3P</b>		<b>List: \$2408</b>	
1.25" NO RECESS BF THRESHOLD	MUDSET		
Handed by SEAT L/R		WHITE POLYESTER GELCOAT FINISH	
Factory Installed Accessories (VALVE/SHOWER KIT NOT INCLUDED IN PKG1)			
S-BAR	24" X 1.5" SMOOTH SS	S-BAR	36" X 1.5" SMOOTH SS
SEAT	28.5" X 21" FRAMELESS WHITE HDPE	LOOSE	SELF-LOCKING PUSH PINS

FOR ADA/ANSI COMPLIANCE WITH SEAT: INSTALLED ACCESSORIES MUST INCLUDE: (2) S-BARS, PRESSURE BALANCING MIXING VALVE, HAND HELD SHOWER WITH SLIDE BAR (BACK WALL, WITH IN REACH OF SEATED USER), VACUUM BREAKER AND 60" HOSE. UNIT AND ACCESSORIES INSTALLED PER ADA/ANSI & PRAXIS INSTALLATION & WARRANTY GUIDELINES.

<b>PKG TWO-ADA/ANSI: G 6037 IB 3P</b>		<b>List: \$1764</b>	
1.25" NO RECESS BF THRESHOLD	MUDSET		
Handed by CENTER DRAIN		WHITE POLYESTER GELCOAT FINISH	
Factory Installed Accessories (VALVE/SHOWER KIT NOT INCLUDED IN PKG2)			
S-BAR	24" X 1.5" SMOOTH SS	S-BAR	24" X 1.5" SMOOTH SS
S-BAR	48" X 1.5" SMOOTH SS	LOOSE	SELF-LOCKING PUSH PINS

FOR ADA/ANSI COMPLIANCE LESS SEAT: INSTALLED ACCESSORIES MUST INCLUDE: (3) S-BARS, PRESSURE BALANCING MIXING VALVE, HAND HELD SHOWER WITH SLIDE BAR (ON ANY WALL), VACUUM BREAKER AND 60" HOSE. UNIT AND ACCESSORIES INSTALLED PER ADA/ANSI & PRAXIS INSTALLATION & WARRANTY GUIDELINES.

## BUILD TO ORDER BASE PLUS ACCESSORIES

<b>BASE UNIT 1: G 6037 I 3P</b>		<b>List: \$1430</b>	
SPECIFY THRESHOLD HEIGHT	MUDSET	Handed by	CENTER DRAIN OR SEAT SIDE
Reinforced for Standard Accessories:		LOOSE	SELF-LOCKING PUSH PINS

## BASE UNIT OPTIONAL ACCESSORIES

<b>FINISHES</b>		<b>List:</b>
STANDARD FINISH- POLYESTER GELCOAT FINISH: WHITE, BONE, BISCUIT		\$0

<b>GRAB BARS</b>		
S-BAR	24" x 1.5" SMOOTH SS	\$117
S-BAR	24" x 1.25" SMOOTH WHITE	\$154
S-BAR	36" x 1.5" SMOOTH SS	\$127
S-BAR	36" x 1.25" SMOOTH WHITE	\$165
S-BAR	48" x 1.5" SMOOTH SS	\$135
S-BAR	48" x 1.25" SMOOTH WHITE	\$238

<b>INSIDE CURTAIN LINE SEATS (REVISED ADA-ABA 2004)</b>		
SEAT	28.5" X 21" FRAMELESS WHITE HDPE	\$723
SEAT	28.5" X 21" FRAMELESS WHITE PADDED	\$723
SEAT	28.5" X 21" FRAMELESS WOODGRAIN PHENOLIC	\$723

<b>FACTORY MODIFICATIONS</b>		
MOD	VALVE DRILLING - SPECIFY HOLE SIZE	\$56
MOD	1.25" NO RECESS BF THRESHOLD	\$111
MOD	2" THRESHOLD	\$0
MOD	INSTALL 30" SLIDE BAR / HS KIT	\$411
MOD	INSTALL STANDARD SYMMONS VALVE PACKAGE	\$633
MOD	INSTALL HANS GROHE THERMOSTATIC VALVE PACKAGE (XLT)	\$501
MOD	INSTALL POWERS VALVE PACKAGE (XLT)	\$656

<b>CURTAIN RODS</b>		
ROD	CURTAIN ROD U CUP HOLDER PAIR	\$14
ROD	1" OD 20 GAUGE SS	\$71
ROD	1" OD 20 GAUGE WHITE	\$138

<b>FIELD INSTALLED ACCESSORIES</b>		
LOOSE	CURTAIN PREMIUM 66" X 72" WHITE NYLON WTD	\$180
LOOSE	CURTAIN HEAVY DUTY 66" X 72" WHITE VINYL WTD	\$119
LOOSE	TUBGUARD P3 PRO FIELD INST 60" X 30" ADA	\$74

ADDITIONAL ACCESSORIES AND SERVICES MAY BE AVAILABLE UPON REQUEST

Warranty: Gelcoat models have a 3 year limited warranty. Acrylic models have a 5 year limited warranty. Pumps, parts, and accessories 1 year limited warranty. For further details please refer to the complete warranty section. Due to the nature of the materials, dimensions may vary +/- .1/2". DRAWING REQUEST MUST BE MADE FOR PACKAGE 2 DRAWING AND BUILT TO ORDER UNITS.

Hamilton Bathware/Praxis Companies, LLC.

435 Industrial Road, Savannah • Tennessee 38372 • Customer Service: 800.326.5489 • Fax: 888.246.0466 • www.hamiltonbathware.com



## G 6037 IBS 3P

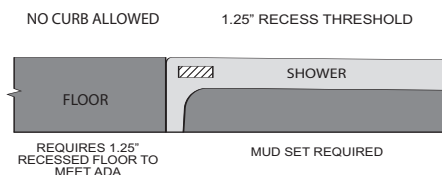
PHOTOGRAPH AT LEFT ILLUSTRATES PACKAGE ONE (HANDED BY SEAT LEFT)

**Sanitary Grade Polyester Gelcoat Three Year Warranty**

### Primary Applications:

- Healthcare
- College Dormitory
- Hospitality
- Schools
- Assisted Living

### ADA Transfer Shower Threshold Requirements:



**711A** rev. 09/25/07

## G 6037 I 3P

OD: 64" x 35" x 75.25"

ID: 60" x 32" CENTER POINT

WEIGHT: 230

LOAD FACTOR: 1.88

**HANDED BY: CENTER DRAIN OR SEAT L/R**

Special Notes: This unit complies with ANSI Z124.2, ICC/ANSI A117.1, UPC, HUD, ASTM F462, ASTM E84, ADA, ABA, SBCCI, NAHB, UFAS.



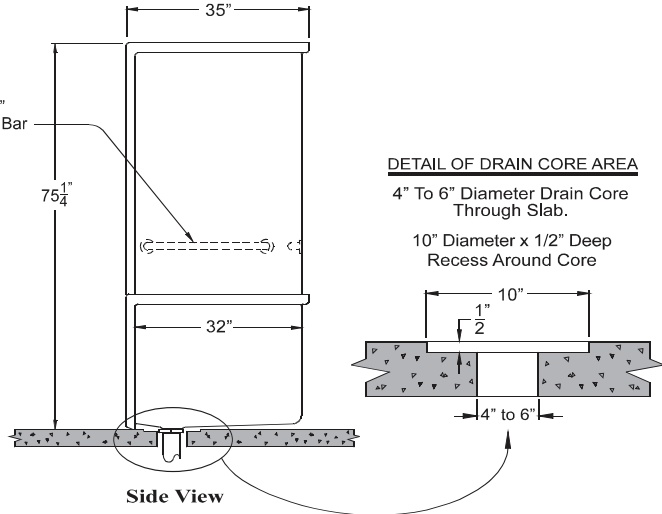
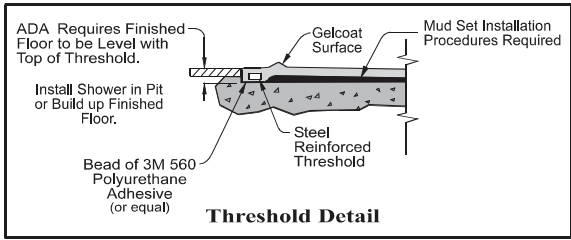
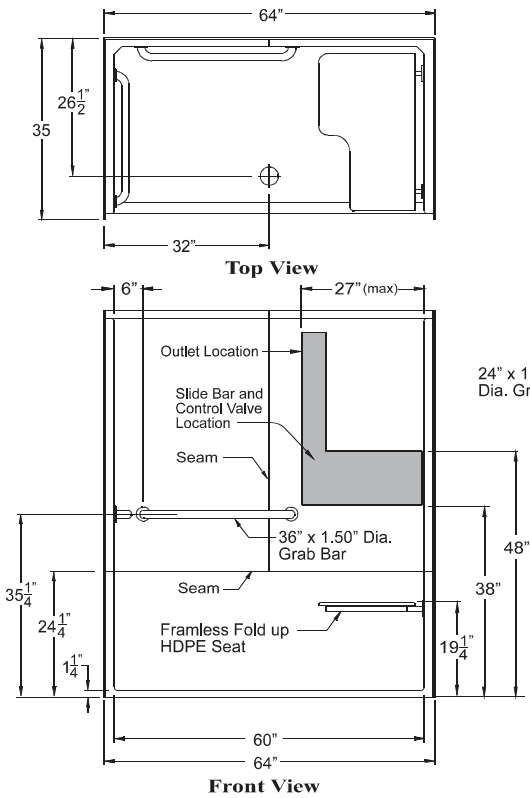
Product Availability  
Hamilton Northeast  
XLT-EXTENDED LEADTIME

Product Availability  
Hamilton Mid-America  
XLT-EXTENDED LEADTIME

Product Availability  
Hamilton South  
STD-STANDARD LEADTIME

# PACKAGE ONE - ADA/ANSI G 6037 IBS 3P

No modifications accepted (Packaged units only)

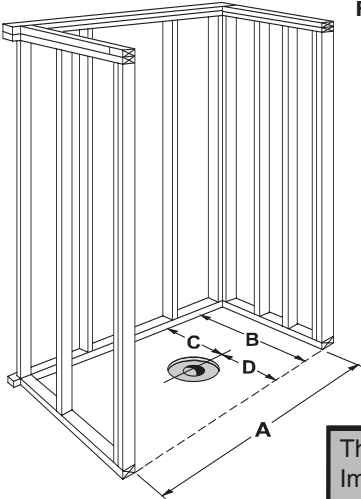


NOTE: Due to the nature of the materials, dimension may vary  $\pm 1/2"$ .

NOTE: Back wall grab bar must be un-bolted during shower installation.

## ADA COMPLIANCE REQUIREMENTS

For ADA compliance with seat: Installed accessories must include: L-shaped fold up seat, 2 horizontal grab bars, pressure balancing mixing valve, hand held shower with slide bar (on back wall within reach of seated user), vacuum breaker and 60" hose. Unit and accessories must be installed per ADA and Praxis guidelines.



### FRAMING DIMENSIONS

A	B	C	D
64 $\frac{1}{4}$ "	35"	26 $\frac{1}{2}$ "	8 $\frac{1}{2}$ "

10" Diameter x 1/2" Deep Recess Around Drain Core  
Unit must be installed into a recessed pit -or- build up finished floor to comply with ADA threshold guidelines.

STANDARD FEATURES	STANDARD CODES	ADA CODES
<ul style="list-style-type: none"> <li>High gloss gelcoat finish</li> <li>Low threshold entry</li> <li>Three piece design</li> <li>HDPE fold up seat</li> <li>Stainless steel grab bars</li> </ul>	<ul style="list-style-type: none"> <li>ANSI Z124.2</li> <li>ASTM F463</li> <li>ASTM E84</li> <li>SBCCI</li> <li>NAHB</li> <li>UPC</li> </ul>	<ul style="list-style-type: none"> <li>ICC/ANSI A117.1</li> <li>HUD/ADA</li> <li>UFAS</li> </ul> <p>(when fully equipped)</p> <p>Unit configured with standard features, pressure balanced control valve and hand held shower package.</p>

Confirm any requested loose accessories desired by circling the items on page one. Submittal drawing required for Prepackaged model. **NO MODIFICATIONS ACCEPTED.** All built to order model configurations and submittal drawings must be ordered.

UPC/SKU NUMBERS Left Hand Valve: \_\_\_\_\_ Right Hand Valve: \_\_\_\_\_

This model included in the **PRAXIS QUALITY INSTALLATION ASSURANCE PROGRAM.** Important installation procedures **MUST** be followed for the fixture to be granted a warranty.

**ATTENTION PLUMBING CONTRACTOR!!!** THIS ORDER WILL NOT BE PROCESSED UNLESS THIS DOCUMENT IS SIGNED, DATED AND A CONTACT PHONE NUMBER OF THE PLUMBING CONTRACTOR IS PROVIDED. FOR ORDERS OF FOUR OR MORE UNITS, PARTICIPATION IN THE PRAXIS QUALITY INSTALLATION ASSURANCE PROGRAM IS MANDATORY FOR ACTIVATION OF PRODUCT WARRANTY.

Signed:  Date:  Contact Phone Number:

Praxis Quality Installation Assurance Program Information: Phone: (800)-759-7744 ext: 29.  
Customer Service: (800)-443-7269 Fax: (731)-925-0379

# Commercial Showers & Tub Showers

## 64" Gelcoat Remodel Shower



Hamilton  
BATHWARE

### MAS Roll-In Showers SECTIONAL GELCOAT

**711B** - NO MODIFICATIONS TO PACKAGES. FOR BUILT TO ORDER UNIT, SELECT BASE UNIT AND ACCESSORIES.

<b>PKG ONE-MAS: G 6037 IBS 3P MAS</b>		<b>List: \$2429</b>
1.25" NO RECESS BF THRESHOLD	MUDSET	
Handed by SEAT L/R	WHITE POLYESTER GELCOAT FINISH	
Factory Installed Accessories (VALVE/SHOWER KIT NOT INCLUDED IN PKG1)		
S-BAR 24" X 1.25" PEENED SS		
S-BAR 36" X 1.25" PEENED SS		
SEAT 28.5" X 21" FRAMELESS WHITE PADDED		
LOOSE SELF-LOCKING PUSH PINS		

FOR MAS COMPLIANCE WITH SEAT: NO CURB ALLOWED, INSTALLED ACCESSORIES MUST INCLUDE: PEENED OR TEXTURED L-BAR, PADDED L-SEAT, PRESSURE BALANCING MIXING VALVE, HAND HELD SHOWER WITH SLIDE BAR (BACK WALL, WITH IN REACH OF SEATED USER), VACUUM BREAKER AND 60" HOSE. UNIT AND ACCESSORIES INSTALLED PER MAS & PRAXIS INSTALLATION & WARRANTY GUIDELINES.

### BUILD TO ORDER BASE PLUS ACCESSORIES

<b>BASE UNIT 1: G 6037 I 3P MAS</b>		<b>List: \$1432</b>
SPECIFY THRESHOLD HEIGHT	MUDSET	Handed by CENTER DRAIN OR SEAT SIDE
Reinforced for Standard Accessories		
LOOSE SELF-LOCKING PUSH PINS		

### BASE UNIT OPTIONAL ACCESSORIES

<b>FINISHES</b>		<b>List:</b>
STANDARD FINISH- POLYESTER GELCOAT FINISH: WHITE, BONE, BISCUIT		\$0

<b>GRAB BARS</b>		
S-BAR 24" x 1.25" PEENED SS		\$136
S-BAR 24" x 1.25" TEXTURED WHITE		\$157
S-BAR 36" x 1.25" PEENED SS		\$138
S-BAR 36" x 1.25" TEXTURED WHITE		\$176

<b>INSIDE CURTAIN LINE SEATS (REVISED ADA-ABA 2004)</b>		
SEAT 28.5" X 21" FRAMELESS WHITE PADDED		\$723

<b>FACTORY MODIFICATIONS</b>		
MOD VALVE DRILLING - SPECIFY HOLE SIZE		\$56
MOD 1.25" NO RECESS BF THRESHOLD		\$111
MOD 2" THRESHOLD		\$0
MOD INSTALL 30" SLIDE BAR / HS KIT		\$411
MOD INSTALL STANDARD SYMMONS VALVE PACKAGE		\$633
MOD INSTALL HANS GROHE THERMOSTATIC VALVE PACKAGE (XLT)		\$501
MOD INSTALL POWERS VALVE PACKAGE (XLT)		\$656

<b>CURTAIN RODS</b>		
ROD CURTAIN ROD U CUP HOLDER PAIR		\$14
ROD 1" OD 20 GAUGE SS		\$71
ROD 1" OD 20 GAUGE WHITE		\$138

<b>FIELD INSTALLED ACCESSORIES</b>		
LOOSE CURTAIN PREMIUM 66" X 72" WHITE NYLON WTD		\$180
LOOSE CURTAIN HEAVY DUTY 66" X 72" WHITE VINYL WTD		\$119
LOOSE TUBGUARD P3 PRO FIELD INST 60" X 30" ADA		\$74

ADDITIONAL ACCESSORIES AND SERVICES MAY BE AVAILABLE UPON REQUEST



### G 6037 IBS 3P MAS

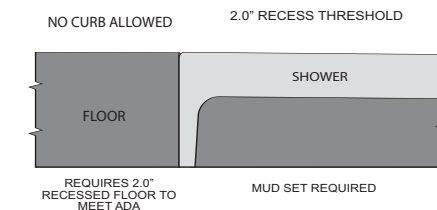
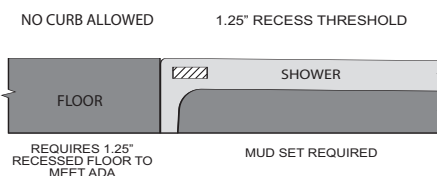
PHOTOGRAPH AT LEFT ILLUSTRATES PACKAGE ONE (HANDED BY SEAT LEFT)

**Sanitary Grade Polyester Gelcoat Three Year Warranty**

### Primary Applications:

- Healthcare
- College Dormitory
- Hospitality
- Schools
- Assisted Living

### MAS Roll-In Shower Threshold Requirements:



**711B** rev. 09/25/07

### G 6037 I 3P MAS

OD: 64" x 35" x 75.25"

ID: 60" x 32" CENTER POINT

WEIGHT: 230

LOAD FACTOR: 1.88

**HANDED BY: CENTER DRAIN OR SEAT L/R**

Special Notes: This unit complies with MAS, ANSI Z124.2, NAHB, UPC, ASTM F462, ASTM E84.

Warranty: Gelcoat models have a 3 year limited warranty. Acrylic models have a 5 year limited warranty. Pumps, parts, and accessories 1 year limited warranty. For further details please refer to the complete warranty section.

Due to the nature of the materials, dimensions may vary +/- 1/2".

DRAWING REQUEST MUST BE MADE FOR PACKAGE 2 DRAWING AND BUILT TO ORDER UNITS.



### Hamilton Bathware/Praxis Companies, LLC.

435 Industrial Road, Savannah • Tennessee 38372 • Customer Service: 800.326.5489 • Fax: 888.246.0466 • www.hamiltonbathware.com

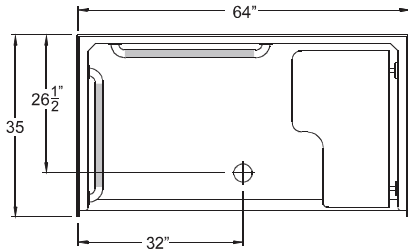
Product Availability  
Hamilton Northeast  
XLT-EXTENDED LEADTIME

Product Availability  
Hamilton Mid-America  
XLT-EXTENDED LEADTIME

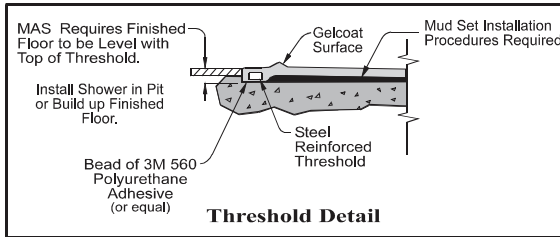
Product Availability  
Hamilton South  
STD-STANDARD LEADTIME

# PACKAGE ONE - MAS G 6037 IBS 3P MAS

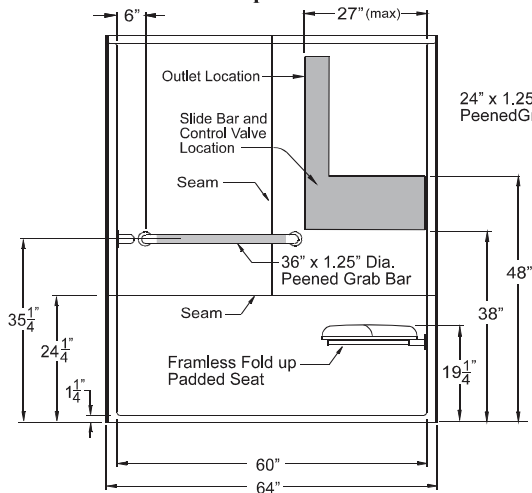
No modifications accepted (Packaged units only)



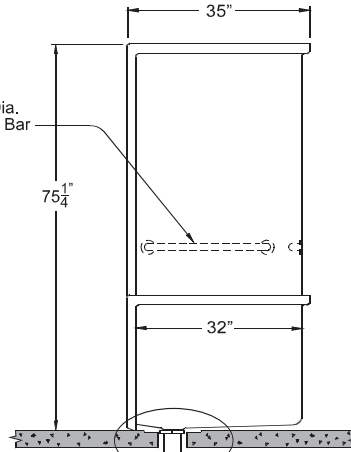
Top View



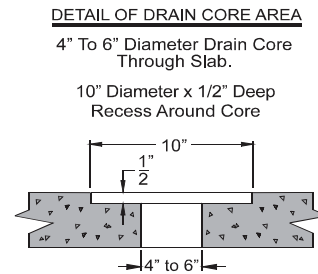
Threshold Detail



Front View



Side View

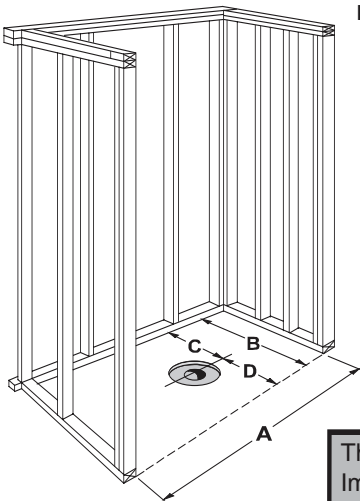


NOTE: Due to the nature of the materials, dimension may vary + - 1/2".

NOTE: Back wall grab bar must be un-bolted during shower installation.

## MAS COMPLIANCE REQUIREMENTS

For ADA compliance with seat: Installed accessories must include: L-shaped padded fold up seat, two horizontal grab bars, pressure balancing mixing valve, hand held shower with slide bar (on back wall within reach of seated user), vacuum breaker and 60" hose. Unit and accessories must be installed per MAS and Praxis guidelines.



### FRAMING DIMENSIONS

A	B	C	D
64 1/4"	35"	26 1/2"	8 1/2"

10" Diameter x 1/2" Deep Recess Around Drain Core

Unit must be installed into a recessed pit -or- build up finished floor to comply with ADA threshold guidelines.

### STANDARD FEATURES

- High gloss gelcoat finish
- Low threshold entry
- Three piece design
- White padded fold up seat
- Stainless steel grab bars

### STANDARD CODES

- ANSI Z124.2
- ASTM F463
- ASTM E84
- SBCCI
- NAHB
- UPC

### MASSACHUSETTS ARCHITECTURAL ACCESS BOARD

MAS

(when fully equipped)  
Unit configured with standard features, pressure balanced control valve and hand held shower package.

Confirm any requested loose accessories desired by circling the items on page one.

Submittal drawing required for Prepackaged model. **NO MODIFICATIONS ACCEPTED.**

All built to order model configurations and submittal drawings must be ordered.

UPC/SKU NUMBERS Left Hand Valve: \_\_\_\_\_ Right Hand Valve: \_\_\_\_\_

This model included in the **PRAXIS QUALITY INSTALLATION ASSURANCE PROGRAM.** Important installation procedures **MUST** be followed for the fixture to be granted a warranty.

**ATTENTION PLUMBING CONTRACTOR!!!** THIS ORDER WILL NOT BE PROCESSED UNLESS THIS DOCUMENT IS SIGNED, DATED AND A CONTACT PHONE NUMBER OF THE PLUMBING CONTRACTOR IS PROVIDED. FOR ORDERS OF FOUR OR MORE UNITS, PARTICIPATION IN THE PRAXIS QUALITY INSTALLATION ASSURANCE PROGRAM IS MANDATORY FOR ACTIVATION OF PRODUCT WARRANTY.

Signed:  Date:  Contact Phone Number:

Praxis Quality Installation Assurance Program Information: Phone: (800)-759-7744 ext: 29.

Customer Service: (800)-443-7269 Fax: (731)-925-0379

# Commercial Showers & Tub Showers

## 40" Gelcoat Remodel Shower



**Hamilton**  
BATHWARE

### ADA/ANSI Transfer Showers SECTIONAL GELCOAT

**712A-** NO MODIFICATIONS TO PACKAGES. FOR BUILT TO ORDER UNIT, SELECT BASE UNIT AND ACCESSORIES.

<b>PKG ONE-ADA/ANSI: G 3637 IBS 3P</b>	<b>List: \$2043</b>
.5" NO RECESS BF THRESHOLD	MUDSET
Handed by Valve Wall L/R	WHITE POLYESTER GELCOAT FINISH
Factory Installed Accessories (VALVE/SHOWER KIT NOT INCLUDED IN PKG1)	
L-BAR	33.5" X 20" X 1.5" SMOOTH SS
S-BAR	24" x 1.5" SMOOTH SS
SEAT	32" X 21" FRAMELESS WHITE HDPE FOLD UP
LOOSE	SELF-LOCKING PUSH PINS

**FOR ADA/ANSI COMPLIANCE: 0.5" CURB ALLOWED, INSTALLED ACCESSORIES MUST INCLUDE: L-BAR AND VERTICAL GRAB BAR, SEAT, PRESSURE BALANCING MIXING VALVE, HAND HELD SHOWER WITH SLIDE BAR, VACUUM BREAKER AND 60" HOSE. UNIT AND ACCESSORIES INSTALLED PER ADA/ANSI & PRAXIS INSTALLATION & WARRANTY GUIDELINES.**

### BUILD TO ORDER BASE PLUS ACCESSORIES

<b>BASE UNIT 1: G 3637 I 3P</b>	<b>List: \$961</b>
SPECIFY THRESHOLD HEIGHT	MUDSET
Handed by Valve Wall L/R	
Reinforced for Standard Accessories	
LOOSE	SELF-LOCKING PUSH PINS

### BASE UNIT OPTIONAL ACCESSORIES List:

#### FINISHES

STANDARD FINISH- POLYESTER GELCOAT FINISH: WHITE, BONE, BISCUIT	\$0
-----------------------------------------------------------------	-----

#### GRAB BARS

S-BAR	24" x 1.5" SMOOTH SS	\$128
S-BAR	24" x 1.25" SMOOTH WHITE	\$154
L-BAR	33.5" X 20" X 1.5" SMOOTH SS	\$182
L-BAR	33.5" X 20" X 1.25" SMOOTH WHITE	\$284

#### INSIDE CURTAIN LINE SEATS (REVISED ADA-ABA 2004)

SEAT	32" X 21" FRAMELESS WHITE HDPE FOLD UP	\$747
SEAT	32" X 21" FRAMELESS WHITE PADDED FOLD UP	\$747
SEAT	32" X 21" FRAMELESS WOODGRAIN PHENOLIC FOLD UP	\$747

#### FACTORY MODIFICATIONS

MOD	VALVE DRILLING - SPECIFY HOLE SIZE	\$56
MOD	.5" NO RECESS BF THRESHOLD	\$111
MOD	INSTALL STANDARD SYMMONS VALVE PACKAGE	\$633
MOD	INSTALL HANS GROHE THERMOSTATIC VALVE PACKAGE (XLT)	\$501
MOD	INSTALL POWERS VALVE PACKAGE (XLT)	\$656
MOD	INSTALL 30" SLIDE BAR / HS KIT	\$411
MOD	ARMORSHIELD P3 PROTECTION	\$149

#### CURTAIN RODS

ROD	CURTAIN ROD U CUP HOLDER PAIR	\$14
ROD	1" OD 20 GAUGE SS	\$71
ROD	1" OD 20 GAUGE WHITE	\$138

#### FIELD INSTALLED ACCESSORIES

LOOSE	CURTAIN PREMIUM 42" X 72" WHITE NYLON WTD	\$118
LOOSE	CURTAIN HEAVY DUTY 42" X 72" WHITE VINYL WTD	\$96
LOOSE	TUBGUARD P3 PRO FIELD INST 36" ADA	\$74

**ADDITIONAL ACCESSORIES AND SERVICES MAY BE AVAILABLE UPON REQUEST**

\*UNIT IS NOT AVAILABLE IN NORTHEAST MARKET. SEE COMPARABLE UNIT 713 G 3636 IBS 3P.

Special Notes: This unit complies with ANSI Z124.2, ICC/ANSI A117.1, UPC, HUD, ASTM F462, ASTM E84, ADA, ABA, SBCCI, NAHB, UFAS.

Warranty: Gelcoat models have a 3 year limited warranty. Acrylic models have a 5 year limited warranty. Pumps, parts, and accessories 1 year limited warranty. For further details please refer to the complete warranty section.

Due to the nature of the materials, dimensions may vary +/- 1/2".

DRAWING REQUEST MUST BE MADE FOR PACKAGE 2 DRAWING AND BUILT TO ORDER UNITS.



### G 3637 IBS 3P

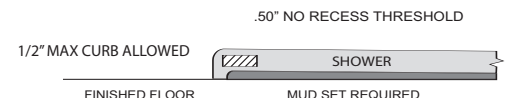
PHOTOGRAPH AT LEFT ILLUSTRATES PACKAGE ONE (HANDED BY VALVE WALL RIGHT)

**Sanitary Grade Polyester Gelcoat Three Year Warranty**

#### Primary Applications:

- Healthcare
- College Dormitory
- Hospitality
- Assisted Living

#### ADA Transfer Shower Threshold Requirements:



<b>712A</b>	rev. 09/25/07
<b>G 3637 I 3P</b>	
OD: 40.25" x 39.5" x 77.25"	
ID: 36" x 36" CENTER POINT	
WEIGHT: 165	
LOAD FACTOR: 1.06	
<b>HANDED BY: VALVE WALL L/R</b>	



### Hamilton Bathware/Praxis Companies, LLC.

435 Industrial Road, Savannah • Tennessee 38372 • Customer Service: 800.326.5489 • Fax: 888.246.0466 • www.hamiltonbathware.com

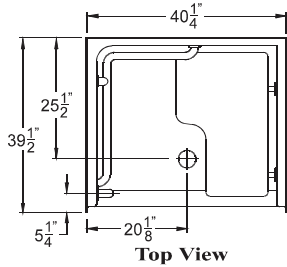
**Product Availability**  
**Hamilton Northeast**  
**NA-NOT AVAILABLE**

**Product Availability**  
**Hamilton Mid-America**  
**XLT-EXTENDED LEADTIME**

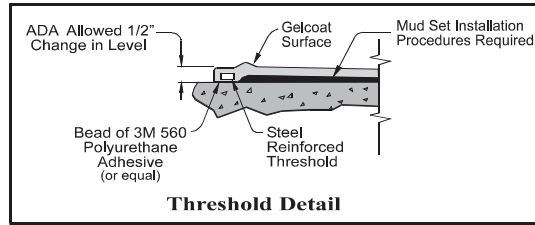
**Product Availability**  
**Hamilton South**  
**STD-STANDARD LEADTIME**

# PACKAGE ONE - ADA/ANSI G 3637 IBS 3P

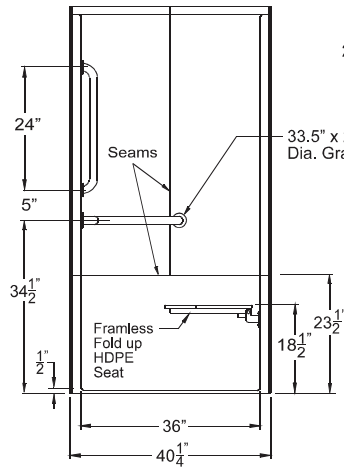
No modifications accepted (Packaged units only)



Top View

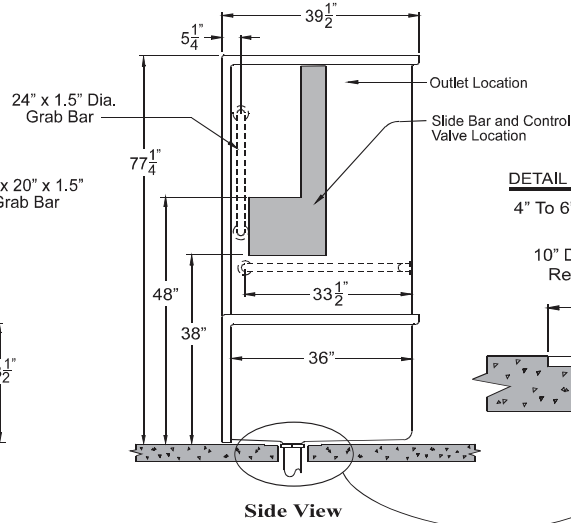


Threshold Detail



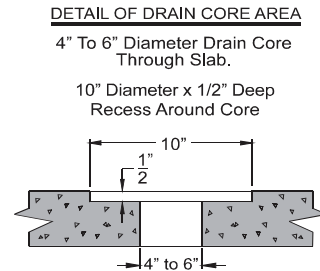
Front View

NOTE: Due to the nature of the materials, dimension may vary + - 1/2".



Side View

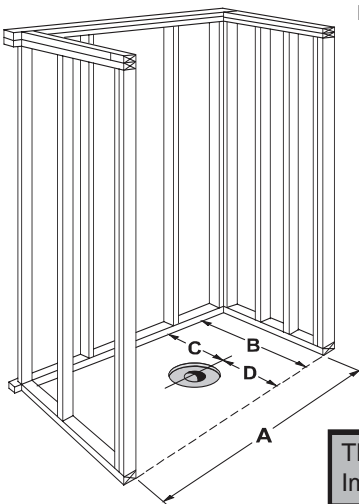
NOTE: Back wall grab bar must be un-bolted during shower installation.



DETAIL OF DRAIN CORE AREA

## ADA COMPLIANCE REQUIREMENTS

For ADA compliance installed accessories must include: L-shaped fold up seat, horizontal L-grab bar, vertical grab bar near the entry, pressure balancing mixing valve, hand held shower with slide bar, vacuum breaker and 60" hose. Unit and accessories must be installed per ADA and Praxis guidelines.



### FRAMING DIMENSIONS

A	B	C	D
40 1/2"	39 1/2"	25 1/2"	14"

10" Diameter x 1/2" Deep Recess Around Drain Core

### STANDARD FEATURES

- High gloss gelcoat finish
- Low threshold entry
- Three piece design
- HDPE fold up seat
- Stainless steel grab bars

### STANDARD CODES

- ANSI Z124.2
- ASTM F463
- ASTM E84
- SBCCI
- NAHB
- UPC

### ADA CODES

- ICC/ANSI A117.1
- HUD/ADA
- UFAS

(when fully equipped)  
Unit configured with standard features, pressure balanced control valve and hand held shower package.

Confirm any requested loose accessories desired by circling the items on page one. Submittal drawing required for Prepackaged model. **NO MODIFICATIONS ACCEPTED.** All built to order model configurations and submittal drawings must be ordered.

UPC/SKU NUMBERS Left Hand Valve: \_\_\_\_\_ Right Hand Valve: \_\_\_\_\_

This model included in the **PRAXIS QUALITY INSTALLATION ASSURANCE PROGRAM.** Important installation procedures **MUST** be followed for the fixture to be granted a warranty.

**ATTENTION PLUMBING CONTRACTOR!!!** THIS ORDER WILL NOT BE PROCESSED UNLESS THIS DOCUMENT IS SIGNED, DATED AND A CONTACT PHONE NUMBER OF THE PLUMBING CONTRACTOR IS PROVIDED. FOR ORDERS OF FOUR OR MORE UNITS, PARTICIPATION IN THE PRAXIS QUALITY INSTALLATION ASSURANCE PROGRAM IS MANDATORY FOR ACTIVATION OF PRODUCT WARRANTY.

Signed:  Date:  Contact Phone Number:

Praxis Quality Installation Assurance Program Information: Phone: (800)-759-7744 ext: 29.  
Customer Service: (800)-443-7269 Fax: (731)-925-0379



# Commercial Showers & Tub Showers

## 40" Gelcoat Remodel Shower



**Hamilton**  
BATHWARE

### MAS Transfer Showers SECTIONAL GELCOAT

<b>712B</b> - NO MODIFICATIONS TO PACKAGES. FOR BUILT TO ORDER UNIT, SELECT BASE UNIT AND ACCESSORIES.		
<b>PKG ONE-MAS: G 3637 IBS 3P MAS</b>		<b>List: \$1930</b>
.5" NO RECESS BF THRESHOLD	MUDSET	
Handed by Valve Wall L/R	WHITE POLYESTER GELCOAT FINISH	
Factory Installed Accessories ( <b>VALVE/SHOWER KIT NOT INCLUDED IN PKG1</b> )		
L-BAR	33.5" X 20" X 1.25" PEENED SS	
SEAT	32" X 21" FRAMELESS WHITE PADDED FOLD UP	
LOOSE	SELF-LOCKING PUSH PINS	
FOR MAS COMPLIANCE INSTALLED ACCESSORIES MUST INCLUDE PEENED OR TEXTURED L-BAR, PADDED L-SEAT, PRESSURE BALANCING MIXING VALVE, HAND HELD SHOWER WITH SLIDE BAR, VACUUM BREAKER AND 60" HOSE. UNIT AND ACCESSORIES INSTALLED PER MAS & PRAXIS INSTALLATION & WARRANTY GUIDELINES.		
<b>BUILD TO ORDER BASE PLUS ACCESSORIES</b>		
<b>BASE UNIT 1: G 3637 I 3P MAS</b>		<b>List: \$951</b>
SPECIFY THRESHOLD HEIGHT	MUDSET	
Handed by Valve Wall L/R		
Reinforced for Standard Accessories		
LOOSE	SELF-LOCKING PUSH PINS	
<b>BASE UNIT OPTIONAL ACCESSORIES</b>		<b>List: \$</b>
<b>FINISHES</b>		
STANDARD FINISH- POLYESTER GELCOAT FINISH: WHITE, BONE, BISCUIT		\$0
<b>GRAB BARS</b>		
L-BAR	33.5" X 20" X 1.25" PEENED SS	\$232
L-BAR	33.5" X 20" X 1.25" TEXTURED WHITE	\$290
<b>INSIDE CURTAIN LINE SEATS (REVISED ADA-ABA 2004)</b>		
SEAT	32" X 21" FRAMELESS WHITE PADDED FOLD UP	\$747
SEAT	32" X 14.5" WHITE PADDED W/LEGS (Bariatrics)	\$1281
<b>FACTORY MODIFICATIONS</b>		
MOD	VALVE DRILLING - SPECIFY HOLE SIZE	\$56
MOD	.5" NO RECESS BF THRESHOLD	\$111
MOD	INSTALL STANDARD SYMMONS VALVE PACKAGE	\$633
MOD	INSTALL HANS GROHE THERMOSTATIC VALVE PACKAGE (XLT)	\$501
MOD	INSTALL POWERS VALVE PACKAGE (XLT)	\$656
MOD	INSTALL 30" SLIDE BAR / HS KIT	\$411
<b>CURTAIN RODS</b>		
ROD	CURTAIN ROD U CUP HOLDER PAIR	\$14
ROD	1" OD 20 GAUGE SS	\$71
ROD	1" OD 20 GAUGE WHITE	\$138
<b>FIELD INSTALLED ACCESSORIES</b>		
LOOSE	CURTAIN PREMIUM 42" X 72" WHITE NYLON WTD	\$118
LOOSE	TUBGUARD P3 PRO FIELD INST 36" ADA	\$74
<b>ADDITIONAL ACCESSORIES AND SERVICES MAY BE AVAILABLE UPON REQUEST</b>		

\*UNIT IS NOT AVAILABLE IN NORTHEAST MARKET. SEE COMPARABLE UNIT G 3636 IBS 3P MAS.



### G 3637 IBS 3P MAS

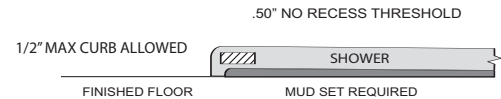
PHOTOGRAPH AT LEFT ILLUSTRATES PACKAGE ONE (HANDED BY VALVE WALL RIGHT)

**Sanitary Grade Polyester Gelcoat**  
**Three Year Warranty**

#### Primary Applications:

- Healthcare
- College Dormitory
- Hospitality
- Assisted Living

#### MAS Transfer Shower Threshold Requirements:



**712B**

rev. 09/25/07

### G 3637 I 3P MAS

OD: 40.25" x 39.5" x 77.25"

ID: 36" x 36" CENTER POINT

WEIGHT: 165

LOAD FACTOR: 1.06

**HANDED BY: VALVE WALL L/R**



Special Notes: This unit complies with MAS, ANSI Z124.2, NAHB, UPC, ASTM F462, ASTM E84.

Warranty: Gelcoat models have a 3 year limited warranty. Acrylic models have a 5 year limited warranty. Pumps, parts, and accessories 1 year limited warranty. For further details please refer to the complete warranty section.

Due to the nature of the materials, dimensions may vary +/- 1/2".

DRAWING REQUEST MUST BE MADE FOR PACKAGE 2 DRAWING AND BUILT TO ORDER UNITS.

### Hamilton Bathware/Praxis Companies, LLC.

435 Industrial Road, Savannah • Tennessee 38372 • Customer Service: 800.326.5489 • Fax: 888.246.0466 • www.hamiltonbathware.com

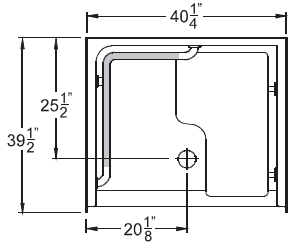
**Product Availability**  
**Hamilton Northeast**  
**NA-NOT AVAILABLE**

**Product Availability**  
**Hamilton Mid-America**  
**XLT-EXTENDED LEADTIME**

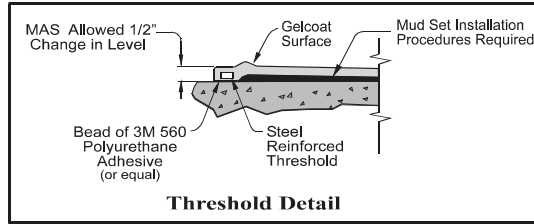
**Product Availability**  
**Hamilton South**  
**STD-STANDARD LEADTIME**

# PACKAGE ONE - MAS G 3637 IBS 3P MAS

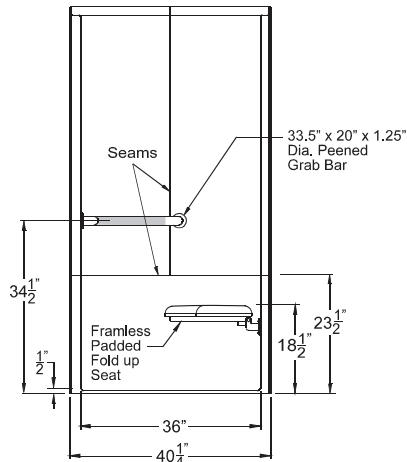
No modifications accepted (Packaged units only)



Top View

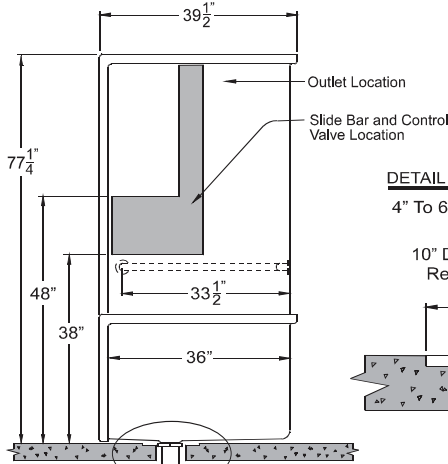


Threshold Detail



Front View

NOTE: Due to the nature of the materials, dimension may vary  $\pm$  1/2".



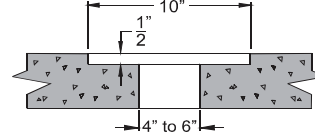
Side View

NOTE: Back wall grab bar must be un-bolted during shower installation.

### DETAIL OF DRAIN CORE AREA

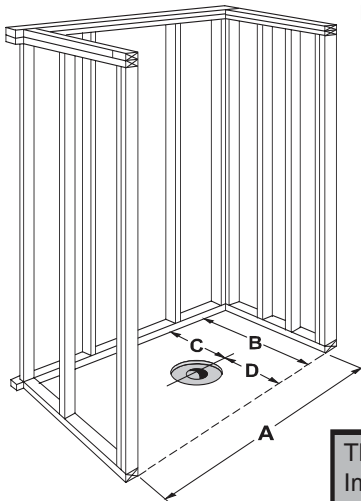
4" To 6" Diameter Drain Core Through Slab.

10" Diameter x 1/2" Deep Recess Around Core



## MAS COMPLIANCE REQUIREMENTS

For MAS compliance Installed accessories must include: peened L-grab bar, padded L-shaped fold up seat, pressure balancing mixing valve, hand held shower with 30" slide bar, vacuum breaker and 60" hose. Unit and accessories must be installed per MAS and Praxis guidelines.



### FRAMING DIMENSIONS

A	B	C	D
40 1/2"	39 1/2"	25 1/2"	14"

10" Diameter x 1/2" Deep Recess Around Drain Core

### STANDARD FEATURES

- High gloss gelcoat finish
- Low threshold entry
- Three piece design
- White padded fold up seat
- Stainless steel grab bar

### STANDARD CODES

- ANSI Z124.2
- ASTM F463
- ASTM E84
- SBCCI
- NAHB
- UPC

### MASSACHUSETTS ARCHITECTURAL ACCESS BOARD

MAS

(when fully equipped)  
Unit configured with standard features, pressure balanced control valve and hand held shower package.

Confirm any requested loose accessories desired by circling the items on page one. Submittal drawing required for Prepackaged model. **NO MODIFICATIONS ACCEPTED.** All built to order model configurations and submittal drawings must be ordered.

UPC/SKU NUMBERS Left Hand Valve: \_\_\_\_\_ Right Hand Valve: \_\_\_\_\_

This model included in the **PRAXIS QUALITY INSTALLATION ASSURANCE PROGRAM.** Important installation procedures **MUST** be followed for the fixture to be granted a warranty.

**ATTENTION PLUMBING CONTRACTOR!!!** THIS ORDER WILL NOT BE PROCESSED UNLESS THIS DOCUMENT IS SIGNED, DATED AND A CONTACT PHONE NUMBER OF THE PLUMBING CONTRACTOR IS PROVIDED. FOR ORDERS OF FOUR OR MORE UNITS, PARTICIPATION IN THE PRAXIS QUALITY INSTALLATION ASSURANCE PROGRAM IS MANDATORY FOR ACTIVATION OF PRODUCT WARRANTY.

Signed:  Date:  Contact Phone Number:

Praxis Quality Installation Assurance Program Information: Phone: (800)-759-7744 ext: 29.

Customer Service: (800)-443-7269 Fax: (731)-925-0379

# 40" Gelcoat Remodel Shower



Hamilton  
BATHWARE

## ADA/ANSI Transfer Showers SECTIONAL GELCOAT

**713A-** NO MODIFICATIONS TO PACKAGES. FOR BUILT TO ORDER UNIT, SELECT BASE UNIT AND ACCESSORIES.

<b>PKG ONE-ADA/ANSI: G 3636 IBS 3P</b>		<b>List: \$1953</b>
.5" NO RECESS BF THRESHOLD	MUDSET	
Handed by Valve Wall L/R		WHITE POLYESTER GELCOAT FINISH
Factory Installed Accessories (VALVE/SHOWER KIT NOT INCLUDED IN PKG1)		
L-BAR	33.5" X 18" X 1.5" SMOOTH SS	
S-BAR	24" x 1.5" SMOOTH SS	
SEAT	32" X 21" FRAMELESS WHITE HDPE FOLD UP	
LOOSE	SELF-LOCKING PUSH PINS	

FOR ADA/ANSI COMPLIANCE: 0.5" CURB ALLOWED, INSTALLED ACCESSORIES MUST INCLUDE: L-BAR AND VERTICAL GRAB BAR, L-SEAT, PRESSURE BALANCING MIXING VALVE, HAND HELD SHOWER WITH SLIDE BAR, VACUUM BREAKER AND 60" HOSE. UNIT AND ACCESSORIES INSTALLED PER ADA/ANSI & PRAXIS INSTALLATION & WARRANTY GUIDELINES.

### BUILD TO ORDER BASE PLUS ACCESSORIES

<b>BASE UNIT 1: G 3636 I 3P</b>		<b>List: \$883</b>
SPECIFY THRESHOLD HEIGHT	MUDSET	
Handed by Valve Wall L/R		
Reinforced for Standard Accessories		
LOOSE	SELF-LOCKING PUSH PINS	

### BASE UNIT OPTIONAL ACCESSORIES List:

#### FINISHES

STANDARD FINISH- POLYESTER GELCOAT FINISH: WHITE, BONE, BISCUIT	\$0
-----------------------------------------------------------------	-----

#### GRAB BARS

S-BAR	24" x 1.5" SMOOTH SS	\$128
S-BAR	24" x 1.25" SMOOTH WHITE	\$154
L-BAR	33.5" X 18" X 1.5" SMOOTH SS	\$198
L-BAR	33.5" X 18" X 1.25" SMOOTH WHITE	\$313

#### INSIDE CURTAIN LINE SEATS (REVISED ADA-ABA 2004)

SEAT	32" X 21" FRAMELESS WHITE HDPE FOLD UP	\$747
SEAT	32" X 21" FRAMELESS WHITE PADDED FOLD UP	\$747
SEAT	32" X 21" FRAMELESS WOODGRAIN PHENOLIC FOLD UP	\$747

#### FACTORY MODIFICATIONS

MOD	VALVE DRILLING - SPECIFY HOLE SIZE	\$56
MOD	.5" NO RECESS BF THRESHOLD	\$111
MOD	INSTALL STANDARD SYMMONS VALVE PACKAGE	\$633
MOD	INSTALL HANS GROHE THERMOSTATIC VALVE PACKAGE (XLT)	\$501
MOD	INSTALL POWERS VALVE PACKAGE (XLT)	\$656
MOD	INSTALL 30" SLIDE BAR / HS KIT	\$411

#### CURTAIN RODS

ROD	CURTAIN ROD U CUP HOLDER PAIR	\$14
ROD	1" OD 20 GAUGE SS	\$71
ROD	1" OD 20 GAUGE WHITE	\$138

#### FIELD INSTALLED ACCESSORIES

LOOSE	CURTAIN PREMIUM 42" X 72" WHITE NYLON WTD	\$118
LOOSE	CURTAIN HEAVY DUTY 42" X 72" WHITE VINYL WTD	\$96
LOOSE	TUBGUARD P3 PRO FIELD INST 36" ADA	\$74

ADDITIONAL ACCESSORIES AND SERVICES MAY BE AVAILABLE UPON REQUEST



## G 3636 IBS 3P

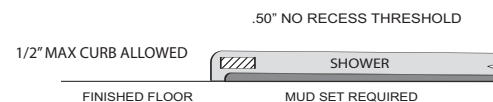
PHOTOGRAPH AT LEFT ILLUSTRATES PACKAGE ONE (HANDED BY VALVE WALL LEFT)

**Sanitary Grade Polyester Gelcoat Three Year Warranty**

### Primary Applications:

- Healthcare
- College Dormitory
- Hospitality
- Schools
- Assisted Living

### ADA Transfer Shower Threshold Requirements:



**713A** rev. 09/25/07

## G 3636 I 3P

OD: 39.75" x 39.5" x 77.25"

ID: 36" x 36" CENTER POINT

WEIGHT: 150

LOAD FACTOR: 1.06

HANDED BY: VALVE WALL L/R

\*UNIT IS NOT AVAILABLE IN SOUTH OR MID-AMERICA MARKET. SEE COMPARABLE UNIT 712A G 3637 IBS 3P.

Special Notes: This unit complies with ANSI Z124.2, ICC/ANSI A117.1, UPC, HUD, ASTM F462, ASTM E84, ADA, ABA, SBCCI, NAHB, UFAS.

Warranty: Gelcoat models have a 3 year limited warranty. Acrylic models have a 5 year limited warranty. Pumps, parts, and accessories 1 year limited warranty. For further details please refer to the complete warranty section.

Due to the nature of the materials, dimensions may vary +/- 1/2".

DRAWING REQUEST MUST BE MADE FOR PACKAGE 2 DRAWING AND BUILT TO ORDER UNITS.

## Hamilton Bathware/Praxis Companies, LLC.

435 Industrial Road, Savannah • Tennessee 38372 • Customer Service: 800.326.5489 • Fax: 888.246.0466 • www.hamiltonbathware.com



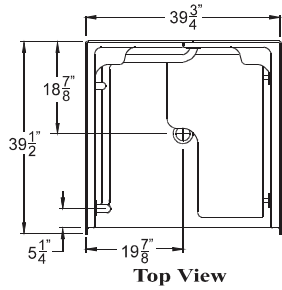
Product Availability  
Hamilton Northeast  
STD-STANDARD LEADTIME

Product Availability  
Hamilton Mid-America  
NA-NOT AVAILABLE

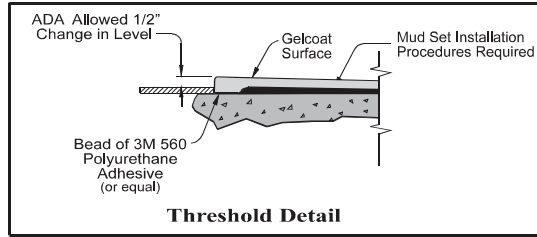
Product Availability  
Hamilton South  
NA-NOT AVAILABLE

# PACKAGE ONE - ADA/ANSI G 3636 IBS 3P

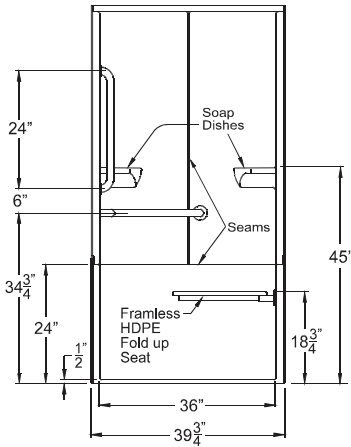
No modifications accepted (Packaged units only)



Top View

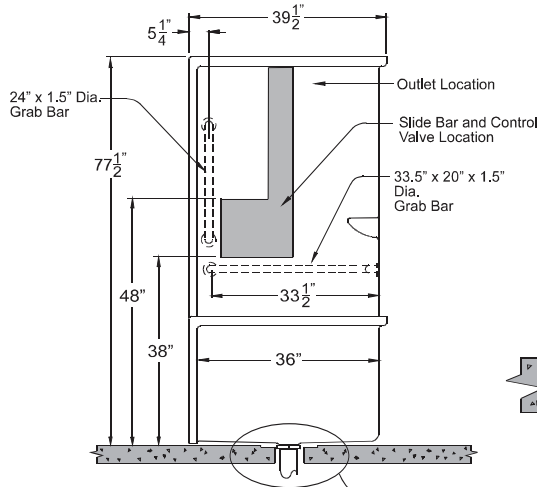


Threshold Detail



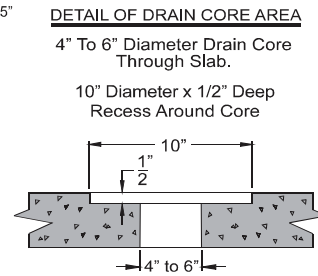
Front View

NOTE: Due to the nature of the materials, dimension may vary +/- 1/2".



Side View

NOTE: Back wall grab bar must be un-bolted during shower installation.



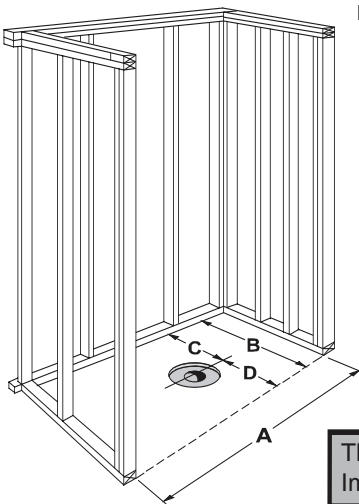
DETAIL OF DRAIN CORE AREA

4" To 6" Diameter Drain Core Through Slab.

10" Diameter x 1/2" Deep Recess Around Core

## ADA COMPLIANCE REQUIREMENTS

For ADA compliance installed accessories must include: L-shaped fold up seat, horizontal L-grab bar, vertical grab bar near the entry, pressure balancing mixing valve, hand held shower with slide bar, vacuum breaker and 60" hose. Unit and accessories must be installed per ADA and Praxis guidelines.



### FRAMING DIMENSIONS

A	B	C	D
40"	39 1/2"	18 7/8"	20 5/8"

10" Diameter x 1/2" Deep Recess Around Drain Core

### STANDARD FEATURES

- High gloss gelcoat finish
- Low threshold entry
- Three piece design
- HDPE fold up seat
- Stainless steel grab bars

### STANDARD CODES

- ANSI Z124.2
- ASTM F463
- ASTM E84
- SBCCI
- NAHB
- UPC

### ADA CODES

- ICC/ANSI A117.1
- HUD/ADA
- UFAS

(when fully equipped)

Unit configured with standard features, pressure balanced control valve and hand held shower package.

Confirm any requested loose accessories desired by circling the items on page one.

Submittal drawing required for Prepackaged model. **NO MODIFICATIONS ACCEPTED.**

All built to order model configurations and submittal drawings must be ordered.

UPC/SKU NUMBERS Left Hand Valve: \_\_\_\_\_ Right Hand Valve: \_\_\_\_\_

This model included in the **PRAXIS QUALITY INSTALLATION ASSURANCE PROGRAM.** Important installation procedures **MUST** be followed for the fixture to be granted a warranty.

**ATTENTION PLUMBING CONTRACTOR!!!** THIS ORDER WILL NOT BE PROCESSED UNLESS THIS DOCUMENT IS SIGNED, DATED AND A CONTACT PHONE NUMBER OF THE PLUMBING CONTRACTOR IS PROVIDED. FOR ORDERS OF FOUR OR MORE UNITS, PARTICIPATION IN THE PRAXIS QUALITY INSTALLATION ASSURANCE PROGRAM IS MANDATORY FOR ACTIVATION OF PRODUCT WARRANTY.

Signed:  Date:  Contact Phone Number:

Praxis Quality Installation Assurance Program Information: Phone: (800)-759-7744 ext: 29.

Customer Service: (800)-443-7269 Fax: (731)-925-0379

# Commercial Showers & Tub Showers

## 40" Gelcoat Remodel Shower



Hamilton  
BATHWARE

### MAS Transfer Showers SECTIONAL GELCOAT

**713B** - NO MODIFICATIONS TO PACKAGES. FOR BUILT TO ORDER UNIT, SELECT BASE UNIT AND ACCESSORIES.

<b>PKG ONE-MAS: G 3636 IBS 3P MAS</b>		<b>List: \$1840</b>
.5" NO RECESS BF THRESHOLD	MUDSET	
Handed by Valve Wall L/R	WHITE POLYESTER GELCOAT FINISH	
Factory Installed Accessories (VALVE/SHOWER KIT NOT INCLUDED IN PKG1)		
L-BAR	33.5" X 18" X 1.25" PEENED SS	
SEAT	32" X 21" FRAMELESS WHITE PADDED FOLD UP	
LOOSE	SELF-LOCKING PUSH PINS	

FOR MAS COMPLIANCE INSTALLED ACCESSORIES MUST INCLUDE PEENED OR TEXTURED L-BAR, PADDED L-SEAT, PRESSURE BALANCING MIXING VALVE, HAND HELD SHOWER WITH SLIDE BAR, VACUUM BREAKER AND 60" HOSE. UNIT AND ACCESSORIES INSTALLED PER MAS & PRAXIS INSTALLATION & WARRANTY GUIDELINES.

### BUILD TO ORDER BASE PLUS ACCESSORIES

<b>BASE UNIT 1: G 3636 I 3P MAS</b>		<b>List: \$861</b>
SPECIFY THRESHOLD HEIGHT	MUDSET	
Handed by Valve Wall L/R		
Reinforced for Standard Accessories		
LOOSE	SELF-LOCKING PUSH PINS	

### BASE UNIT OPTIONAL ACCESSORIES

<b>FINISHES</b>		<b>List:</b>
STANDARD FINISH- POLYESTER GELCOAT FINISH: WHITE, BONE, BISCUIT		\$0

### GRAB BARS

L-BAR	33.5" X 18" X 1.25" PEENED SS	\$168
L-BAR	33.5" X 18" X 1.25" TEXTURED WHITE	\$318

### INSIDE CURTAIN LINE SEATS (REVISED ADA-ABA 2004)

SEAT	32" X 21" FRAMELESS WHITE PADDED FOLD UP	\$747
------	------------------------------------------	-------

### FACTORY MODIFICATIONS

MOD	VALVE DRILLING - SPECIFY HOLE SIZE	\$56
MOD	.5" NO RECESS BF THRESHOLD	\$111
MOD	INSTALL STANDARD SYMMONS VALVE PACKAGE	\$633
MOD	INSTALL HANS GROHE THERMOSTATIC VALVE PACKAGE (XLT)	\$501
MOD	INSTALL POWERS VALVE PACKAGE (XLT)	\$656
MOD	INSTALL 30" SLIDE BAR / HS KIT	\$411

### CURTAIN RODS

ROD	CURTAIN ROD U CUP HOLDER PAIR	\$14
ROD	1" OD 20 GAUGE SS	\$71
ROD	1" OD 20 GAUGE WHITE	\$138

### FIELD INSTALLED ACCESSORIES

LOOSE	CURTAIN PREMIUM 42" X 72" WHITE NYLON WTD	\$118
LOOSE	CURTAIN HEAVY DUTY 42" X 72" WHITE VINYL WTD	\$96
LOOSE	TUBGUARD P3 PRO FIELD INST 36" ADA	\$74

ADDITIONAL ACCESSORIES AND SERVICES MAY BE AVAILABLE UPON REQUEST

\*UNIT IS NOT AVAILABLE IN SOUTH OR MID-AMERICA MARKET. SEE COMPARABLE UNIT 712B G 3637 IBS 3P MAS.



### G 3636 IBS 3P MAS

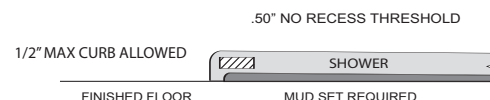
PHOTOGRAPH AT LEFT ILLUSTRATES PACKAGE ONE (HANDED BY VALVE WALL LEFT)

**Sanitary Grade Polyester Gelcoat Three Year Warranty**

### Primary Applications:

- Healthcare
- College Dormitory
- Hospitality
- Schools
- Assisted Living

### MAS Transfer Shower Threshold Requirements:



**713B**

rev. 09/25/07

### G 3636 I 3P MAS

OD: 39.75" x 39.5" x 77.25"

ID: 36" x 36" CENTER POINT

WEIGHT: 150

LOAD FACTOR: 1.06

HANDED BY: VALVE WALL L/R

Special Notes: This unit complies with MAS, ANSI Z124.2, NAHB, UPC, ASTM F462, ASTM E84.

Warranty: Gelcoat models have a 3 year limited warranty. Acrylic models have a 5 year limited warranty. Pumps, parts, and accessories 1 year limited warranty. For further details please refer to the complete warranty section.

Due to the nature of the materials, dimensions may vary +/- 1/2".

DRAWING REQUEST MUST BE MADE FOR PACKAGE 2 DRAWING AND BUILT TO ORDER UNITS.

**Hamilton Bathware/Praxis Companies, LLC.**

435 Industrial Road, Savannah • Tennessee 38372 • Customer Service: 800.326.5489 • Fax: 888.246.0466 • www.hamiltonbathware.com



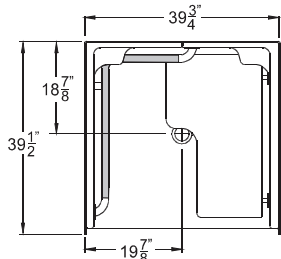
**Product Availability**  
Hamilton Northeast  
STD-STANDARD LEADTIME

**Product Availability**  
Hamilton Mid-America  
NA-NOT AVAILABLE

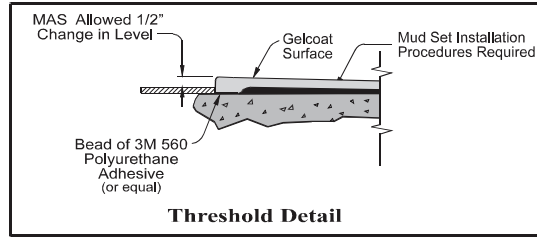
**Product Availability**  
Hamilton South  
NA-NOT AVAILABLE

# PACKAGE ONE - MAS G 3636 IBS 3P MAS

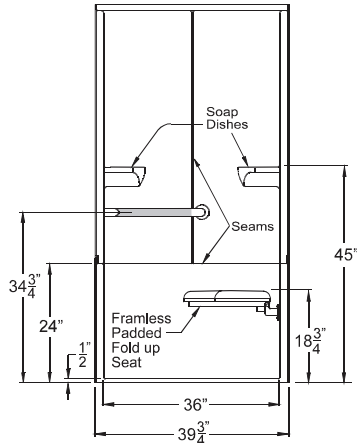
No modifications accepted (Packaged units only)



Top View

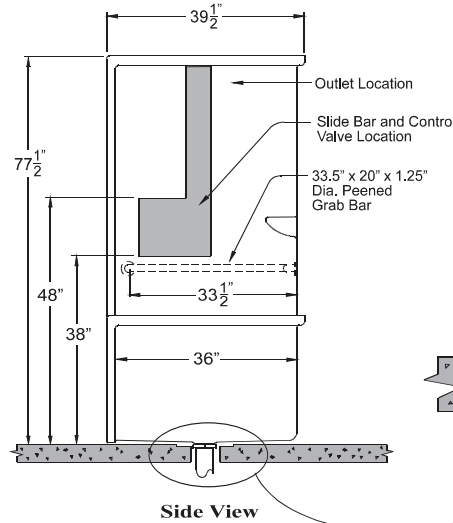


Threshold Detail



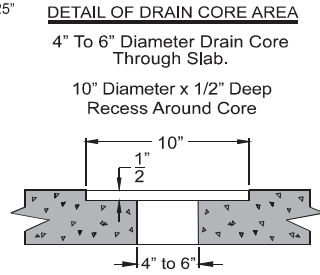
Front View

NOTE: Due to the nature of the materials, dimension may vary +/- 1/2".



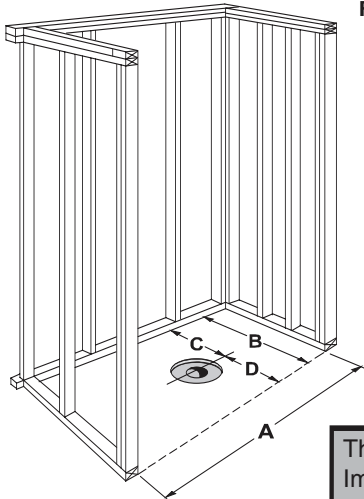
Side View

NOTE: Back wall grab bar must be un-bolted during shower installation.



## MAS COMPLIANCE REQUIREMENTS

For MAS compliance Installed accessories must include: peened L-grab bar, padded L-shaped fold up seat, pressure balancing mixing valve, hand held shower with 30" slide bar, vacuum breaker and 60" hose. Unit and accessories must be installed per MAS and Praxis guidelines.



### FRAMING DIMENSIONS

A	B	C	D
40"	39 1/2"	18 7/8"	20 5/8"

10" Diameter x 1/2" Deep Recess Around Drain Core

### STANDARD FEATURES

- High gloss gelcoat finish
- Low threshold entry
- Three piece design
- White padded fold up seat
- Stainless steel grab bar

### STANDARD CODES

- ANSI Z124.2
- ASTM F463
- ASTM E84
- SBCCI
- NAHB
- UPC

### MASSACHUSETTS ARCHITECTURAL ACCESS BOARD

MAS

(when fully equipped)  
Unit configured with standard features, pressure balanced control valve and hand held shower package.

Confirm any requested loose accessories desired by circling the items on page one. Submittal drawing required for Prepackaged model. **NO MODIFICATIONS ACCEPTED.**

All built to order model configurations and submittal drawings must be ordered.

UPC/SKU NUMBERS Left Hand Valve: \_\_\_\_\_ Right Hand Valve: \_\_\_\_\_

This model included in the **PRAXIS QUALITY INSTALLATION ASSURANCE PROGRAM.** Important installation procedures **MUST** be followed for the fixture to be granted a warranty.

**ATTENTION PLUMBING CONTRACTOR!!! THIS ORDER WILL NOT BE PROCESSED UNLESS THIS DOCUMENT IS SIGNED, DATED AND A CONTACT PHONE NUMBER OF THE PLUMBING CONTRACTOR IS PROVIDED. FOR ORDERS OF FOUR OR MORE UNITS, PARTICIPATION IN THE PRAXIS QUALITY INSTALLATION ASSURANCE PROGRAM IS MANDATORY FOR ACTIVATION OF PRODUCT WARRANTY.**

Signed:  Date:  Contact Phone Number:

Praxis Quality Installation Assurance Program Information: Phone: (800)-759-7744 ext: 29.

Customer Service: (800)-443-7269 Fax: (731)-925-0379

# Commercial Showers & Tub Showers

## 60" Gelcoat Shower



**Hamilton**  
BATHWARE

### Accessible Showers ONE-PIECE GELCOAT

<b>714- NO MODIFICATIONS TO PACKAGES. FOR BUILT TO ORDER UNIT, SELECT BASE UNIT AND ACCESSORIES.</b>		
<b>PKG ONE-ACCESSIBLE: G 3760 IBS</b>		<b>List: \$2722</b>
1.75" THRESHOLD	MUDSET	
HANDED BY SEAT L/R	WHITE POLYESTER GELCOAT FINISH	
Factory Installed Accessories (VALVE/SHOWER KIT NOT INCLUDED IN PKG1)		
S-BAR	24" x 1.5" SMOOTH SS	
S-BAR	24" x 1.5" SMOOTH SS	
S-BAR	30" x 1.5" SMOOTH SS	
SEAT	28.5" X 21" FRAMELESS WHITE HDPE RAD	
<b>BUILD TO ORDER BASE PLUS ACCESSORIES</b>		
<b>BASE UNIT 1: G 3760 I</b>		<b>List: \$2428</b>
SPECIFY THRESHOLD HEIGHT	MUDSET	
HANDED BY CENTER DRAIN OR SEAT SIDE		
Reinforced for Standard Accessories		
<b>BASE UNIT OPTIONAL ACCESSORIES</b>		<b>List:</b>
<b>FINISHES</b>		
STANDARD FINISH- POLYESTER GELCOAT FINISH: WHITE, BONE, BISCUIT		\$0
<b>GRAB BARS</b>		
S-BAR	24" x 1.5" SMOOTH SS	\$117
S-BAR	24" x 1.25" SMOOTH WHITE	\$154
S-BAR	24" x 1.25" PEENED SS	\$136
S-BAR	30" x 1.5" SMOOTH SS	\$121
S-BAR	30" x 1.25" SMOOTH WHITE	\$158
S-BAR	30" x 1.25" PEENED SS	\$129
<b>STANDARD SEATS</b>		
SEAT	28.5" X 21" FRAMELESS WHITE HDPE	\$723
SEAT	28.5" X 21" FRAMELESS WHITE PADDED	\$723
SEAT	28.5" X 21" FRAMELESS WOODGRAIN PHENOLIC	\$723
<b>FACTORY MODIFICATIONS</b>		
MOD	.75" BF THRESHOLD	\$111
MOD	1.75" THRESHOLD	\$111
MOD	VALVE DRILLING - SPECIFY HOLE SIZE	\$56
MOD	ARMORSHIELD P3 PROTECTION	\$149
MOD	INSTALL 30" SLIDE BAR / HS KIT	\$411
MOD	INSTALL STANDARD SYMMONS VALVE PACKAGE	\$633
MOD	INSTALL HANS GROHE VALVE PACKAGE (XLT)	\$501
MOD	INSTALL POWERS VALVE PACKAGE (XLT)	\$656
<b>CURTAIN RODS</b>		
ROD	CURTAIN ROD U CUP HOLDER PAIR	\$14
ROD	1" OD 20 GAUGE SS	\$71
ROD	1" OD 20 GAUGE WHITE	\$138
<b>FIELD INSTALLED ACCESSORIES</b>		
LOOSE	CURTAIN PREMIUM 66" X 72" WHITE NYLON WTD	\$180
LOOSE	CURTAIN HEAVY DUTY 66" X 72" WHITE VINYL WTD	\$119
<b>ADDITIONAL ACCESSORIES AND SERVICES MAY BE AVAILABLE UPON REQUEST</b>		



### G 3760 IBS

PHOTOGRAPH AT LEFT ILLUSTRATES PACKAGE ONE (HANDED BY CENTER DRAIN)

**Sanitary Grade Polyester Gelcoat Three Year Warranty**

### Primary Applications:

- Healthcare
- Hospitality
- Assisted Living

**714**

**G 3760 I**

OD: 60" x 37.75" x 78.25"

WEIGHT: 170

LOAD FACTOR: 1.26

**HANDED BY: CENTER DRAIN OR SEAT SIDE**

Special Notes: This unit complies with ANSI Z124.2, UPC, HUD, ASTM F462, ASTM E84, ABA, SBCCI, NAHB, UFAS.

Warranty: Gelcoat models have a 3 year limited warranty. Acrylic models have a 5 year limited warranty. Pumps, parts, and accessories 1 year limited warranty. For further details please refer to the complete warranty section.

Due to the nature of the materials, dimensions may vary +/- 1/2".

DRAWING REQUEST MUST BE MADE FOR PACKAGE 2 DRAWING AND BUILT TO ORDER UNITS.



**Hamilton Bathware/Praxis Companies, LLC.**

435 Industrial Road, Savannah • Tennessee 38372 • Customer Service: 800.326.5489 • Fax: 888.246.0466 • www.hamiltonbathware.com

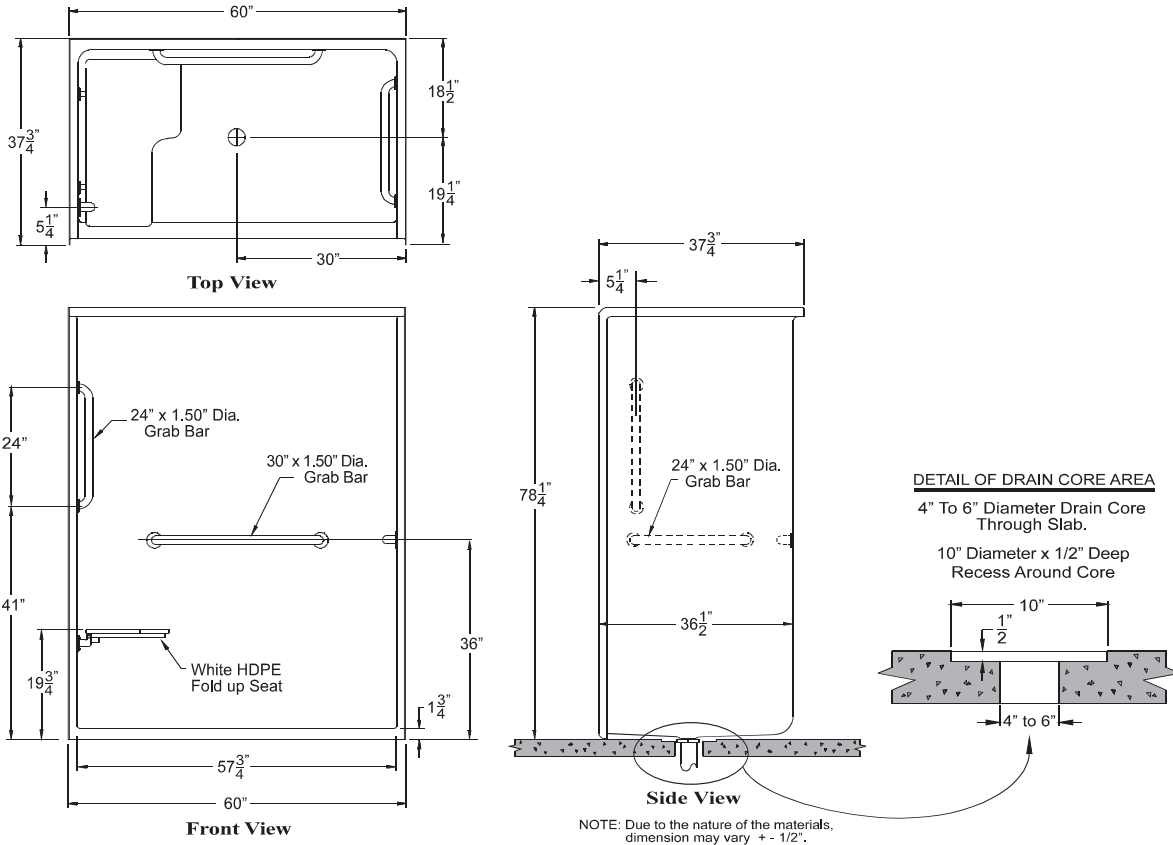
**Product Availability**  
**Hamilton Northeast**  
**STD-STANDARD LEADTIME**

**Product Availability**  
**Hamilton Mid-America**  
**STD-STANDARD LEADTIME**

**Product Availability**  
**Hamilton South**  
**NA-NOT AVAILABLE**

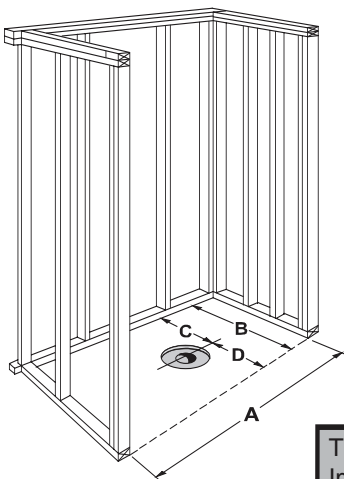
# PACKAGE ONE - ACCESSIBLE MODEL G 3760 IBS

No modifications accepted (Packaged units only)



## INSTALLATION REQUIREMENTS

Unit is designed to accommodate special needs of accessibility for commercial or residential. Unit requires mud set installation procedures. Unit must be installed per warranty and Praxis guidelines.



### FRAMING DIMENSIONS

A	B	C	D
60 1/4"	37 3/4"	18 1/2"	19 1/4"

10" Diameter x 1/2" Deep Recess Around Drain Core

### STANDARD FEATURES

- High gloss gelcoat finish
- Low threshold entry
- White fold up seat
- Stainless steel grab bars

### STANDARD CODES

- ANSI Z124.2
- ASTM F463
- ASTM E84
- SBCCI
- NAHB
- UPC

### PRIMARY APPLICATIONS

- Public Buildings
- Healthcare
- College Dormitory
- Hospitality
- Schools

Confirm any requested loose accessories desired by circling the items on page one. Submittal drawing required for Prepackaged model. **NO MODIFICATIONS ACCEPTED.** All built to order model configurations and submittal drawings must be ordered.

**UPC/SKU NUMBERS** Left Hand Valve: \_\_\_\_\_ Right Hand Valve: \_\_\_\_\_

This model included in the **PRAXIS QUALITY INSTALLATION ASSURANCE PROGRAM.** Important installation procedures **MUST** be followed for the fixture to be granted a warranty.

**ATTENTION PLUMBING CONTRACTOR!!!** THIS ORDER WILL NOT BE PROCESSED UNLESS THIS DOCUMENT IS SIGNED, DATED AND A CONTACT PHONE NUMBER OF THE PLUMBING CONTRACTOR IS PROVIDED. FOR ORDERS OF FOUR OR MORE UNITS, PARTICIPATION IN THE PRAXIS QUALITY INSTALLATION ASSURANCE PROGRAM IS MANDATORY FOR ACTIVATION OF PRODUCT WARRANTY.

Signed:  Date:  Contact Phone Number:

Praxis Quality Installation Assurance Program Information: Phone: (800)-759-7744 ext: 29.

Customer Service: (800)-443-7269 Fax: (731)-925-0379



# Commercial Showers & Tub Showers

## 60" Gelcoat Shower



**Hamilton**  
BATHWARE

### Accessible Showers ONE-PIECE GELCOAT

<b>715- NO MODIFICATIONS TO PACKAGES. FOR BUILT TO ORDER UNIT, SELECT BASE UNIT AND ACCESSORIES.</b>		
<b>PKG ONE-ACCESSIBLE: G 6096 SH 1S</b>		<b>List: \$969</b>
4" THRESHOLD	WHITE POLYESTER GELCOAT FINISH	
Handed by SEAT L/R		
Factory Installed Accessories (VALVE/SHOWER KIT NOT INCLUDED IN PKG1)		
S-BAR	24" X 1.5" SMOOTH SS	
SEAT	MOLDED 21" H	
<b>BUILD TO ORDER BASE PLUS ACCESSORIES</b>		
<b>BASE UNIT 1: G 6096 SH 1S</b>		<b>List: \$852</b>
SPECIFY THRESHOLD HEIGHT		
Handed by SEAT L/R		
Reinforced for Standard Accessories		
<b>BASE UNIT OPTIONAL ACCESSORIES</b>		<b>List:</b>
<b>FINISHES</b>		
STANDARD FINISH- POLYESTER GELCOAT FINISH: WHITE, BONE, BISCUIT		\$0
<b>GRAB BARS</b>		
S-BAR	24" X 1.5" SMOOTH SS	\$117
S-BAR	24" X 1.25" SMOOTH WHITE	\$154
S-BAR	24" X 1.25" PEENED SS	\$136
<b>FACTORY MODIFICATIONS</b>		
MOD	VALVE DRILLING - SPECIFY HOLE SIZE	\$56
MOD	4" THRESHOLD	\$111
MOD	ARMORSHIELD P3 PROTECTION	\$149
MOD	INSTALL 30" SLIDE BAR / HS KIT	\$411
MOD	INSTALL STANDARD SYMMONS VALVE PACKAGE	\$633
MOD	INSTALL HANS GROHE VALVE PACKAGE (XLT)	\$501
MOD	INSTALL POWERS VALVE PACKAGE (XLT)	\$656
MOD	TUBGUARD P3 PROTECTION 60" X 36" SH	\$86
<b>CURTAIN RODS</b>		
ROD	CURTAIN ROD U CUP HOLDER PAIR	\$14
ROD	1" OD 20 GAUGE SS	\$71
ROD	1" OD 20 GAUGE WHITE	\$138
<b>FIELD INSTALLED ACCESSORIES</b>		
LOOSE	CURTAIN PREMIUM 66" X 72" WHITE NYLON WTD	\$180
LOOSE	CURTAIN HEAVY DUTY 66" X 72" WHITE VINYL WTD	\$119
LOOSE	TUBGUARD P3 PROTECTION 60" X 36" SH	\$74
<b>ADDITIONAL ACCESSORIES AND SERVICES MAY BE AVAILABLE UPON REQUEST</b>		



### G 6096 SH 1S

PHOTOGRAPH AT LEFT  
ILLUSTRATES PACKAGE ONE  
(HANDED BY SEAT LEFT)

**Sanitary Grade  
Polyester Gelcoat  
Three Year Warranty**

#### Primary Applications:

- Healthcare
- College Dormitory
- Multi-Family
- Assisted Living

THIS UNIT FEATURES THE OUTSIDE DIMENSIONS OF 60" OF OVERALL WIDTH. THIS DOES NOT ALLOW FOR FULL ENCLOSURE OF THE BOLTS THAT ARE USED TO SECURE THE BARS AND SEAT IN PLACE. THE BOLT AND NUT COMBINATION SHOULD NOT PROTRUDE ANY MORE THAN 3/4" ON EITHER SIDE. THIS SHOULD NOT CREATE ANY TYPE OF INSTALLATION PROBLEMS EXCEPT FOR A DRY WALL ENCLOSED FIRE WALL INSTALLATION AREA THAT WOULD NOT ALLOW FOR ANY VARIATIONS. IN A STANDARD STUD / OPENING INSTALLATION THE EXTENSION OF THE HARDWARE SHOULD NOT CAUSE ANY TYPE OF PROBLEM.

Special Notes: This unit complies with ANSI Z124.2, ASTM F462, ASTM E84, UPC, SBCCI, NAHB.

Warranty: Gelcoat models have a 3 year limited warranty. Acrylic models have a 5 year limited warranty. Pumps, parts, and accessories 1 year limited warranty. For further details please refer to the complete warranty section.

Due to the nature of the materials, dimensions may vary +/- 1/2".

DRAWING REQUEST MUST BE MADE FOR PACKAGE 2 DRAWING AND BUILT TO ORDER UNITS.

**715**

### G 6096 SH 1S

OD: 60" X 35" X 73"

WEIGHT: 180

LOAD FACTOR: 1.26

**HANDED BY: SEAT L/R**



### Hamilton Bathware/Praxis Companies, LLC.

435 Industrial Road, Savannah • Tennessee 38372 • Customer Service: 800.326.5489 • Fax: 888.246.0466 • www.hamiltonbathware.com

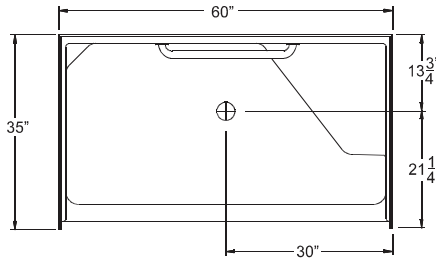
**Product Availability  
Hamilton Northeast  
STD-STANDARD LEADTIME**

**Product Availability  
Hamilton Mid-America  
STD-STANDARD LEADTIME**

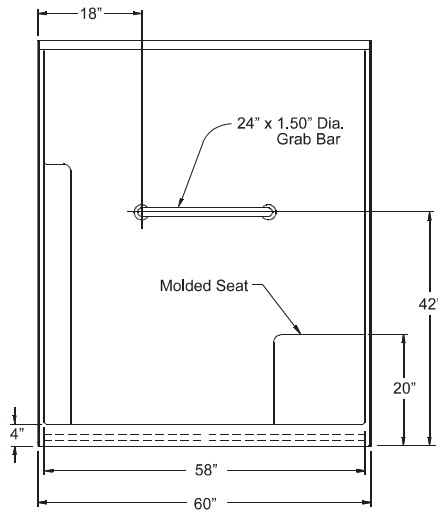
**Product Availability  
Hamilton South  
STD-STANDARD LEADTIME**

# PACKAGE ONE - ACCESSIBLE MODEL G 6096 SH 1S

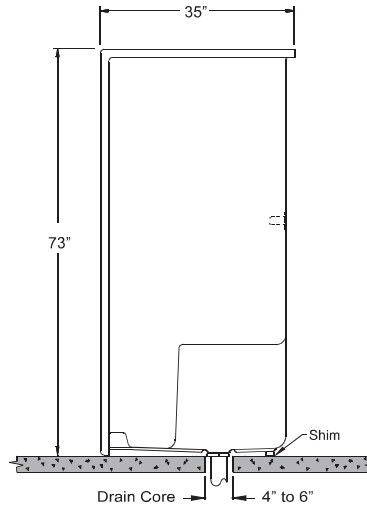
No modifications accepted (Packaged units only)



Top View



Front View

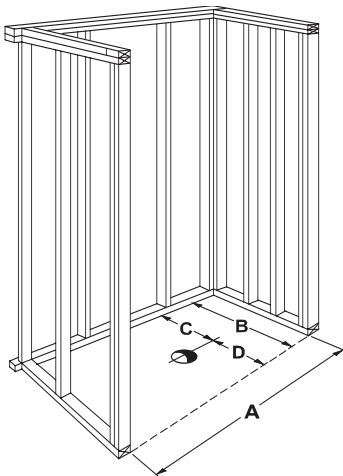


Side View

NOTE: Due to the nature of the materials, dimension may vary + - 1/2".

## INSTALLATION REQUIREMENTS

Unit is designed to accommodate special needs of accessibility for commercial or residential. Unit must be installed per warranty and Praxis guidelines.



### FRAMING DIMENSIONS

A	B	C	D
60 1/4"	35"	13 3/4"	21 1/4"

### STANDARD FEATURES

- High gloss gelcoat finish
- One piece design
- Molded corner shelf
- Molded seat
- Stainless steel grab bars

### STANDARD CODES

- ANSI Z124.2
- ASTM F463
- ASTM E84
- SBCCI
- NAHB
- UPC

### PRIMARY APPLICATIONS

- Public Buildings
- Healthcare
- College Dormitory
- Hospitality
- Schools

Confirm any requested loose accessories desired by circling the items on page one. Submittal drawing required for Prepackaged model. **NO MODIFICATIONS ACCEPTED.**

All built to order model configurations and submittal drawings must be ordered.

**UPC/SKU NUMBERS** Left Hand Valve: \_\_\_\_\_ Right Hand Valve: \_\_\_\_\_

**ATTENTION PLUMBING CONTRACTOR!!! THIS ORDER WILL NOT BE PROCESSED UNLESS THIS DOCUMENT IS SIGNED, DATED AND A CONTACT PHONE NUMBER OF THE PLUMBING CONTRACTOR IS PROVIDED.**

Signed:  Date:  Contact Phone Number:

Customer Service: (800)-443-7269 Fax: (731)-925-0379

# Commercial Showers & Tub Showers

## 48" Gelcoat Shower



**Hamilton**  
BATHWARE

### Accessible Showers OPEN TOP GELCOAT

<b>716- NO MODIFICATIONS TO PACKAGES. FOR BUILT TO ORDER UNIT, SELECT BASE UNIT AND ACCESSORIES.</b>		
<b>PKG ONE-ACCESSIBLE: G 4897 IB</b>		<b>List: \$1232</b>
RECESS REQUIRED- 2" BF THRESHOLD	MUDSET	
Handed by CENTER DRAIN	WHITE POLYESTER GELCOAT	
Factory Installed Accessories (VALVE/SHOWER KIT NOT INCLUDED IN PKG1)		
S-BAR	20" X 1.5" SMOOTH SS	
S-BAR	20" X 1.5" SMOOTH SS	
S-BAR	30" X 1.5" SMOOTH SS	
<b>PKG TWO-ACCESSIBLE: G 4897 IBS</b>		<b>List: \$1892</b>
RECESS REQUIRED- 2" BF THRESHOLD	MUDSET	
Handed by VALVE WALL L/R	WHITE POLYESTER GELCOAT	
Factory Installed Accessories (VALVE/SHOWER KIT NOT INCLUDED IN PKG2)		
S-BAR	20" X 1.5" SMOOTH SS	
S-BAR	20" X 1.5" SMOOTH SS	
SEAT	28.5" X 21" WHITE HDPE FOLD UP	
<b>BUILD TO ORDER BASE PLUS ACCESSORIES</b>		
<b>BASE UNIT 1: G 4897 I</b>		<b>List: \$891</b>
SPECIFY THRESHOLD HEIGHT	MUDSET	
Handed by CENTER DRAIN OR VALVE WALL L/R		
Reinforced for Standard Accessories		
<b>BASE UNIT OPTIONAL ACCESSORIES</b>		<b>List:</b>
<b>FINISHES</b>		
STANDARD FINISH- POLYESTER GELCOAT FINISH: WHITE, BONE, BISCUIT		\$0
<b>GRAB BARS</b>		
S-BAR	20" X 1.5" SMOOTH SS	\$110
S-BAR	20" X 1.25" SMOOTH WHITE	\$151
S-BAR	20" X 1.25" PEENED SS	\$113
S-BAR	30" X 1.5" SMOOTH SS	\$121
S-BAR	30" X 1.25" SMOOTH WHITE	\$158
S-BAR	30" X 1.25" PEENED SS	\$129
<b>STANDARD SEATS</b>		
SEAT	28.5" X 21" FRAMELESS WHITE HDPE	\$723
SEAT	28.5" X 21" FRAMELESS WHITE PADDED	\$723
SEAT	28.5" X 21" FRAMELESS WOODGRAIN PHENOLIC	\$723
<b>FACTORY MODIFICATIONS</b>		
MOD	VALVE DRILLING - SPECIFY HOLE SIZE	\$56
MOD	1.75" THRESHOLD	\$111
MOD	RECESS REQUIRED- 2" BF THRESHOLD	\$0
MOD	INSTALL STANDARD SYMMONS VALVE PACKAGE	\$633
MOD	INSTALL HANS GROHE VALVE PACKAGE (XLT)	\$501
MOD	INSTALL POWERS VALVE PACKAGE(XLT)	\$656
MOD	INSTALL 30" SLIDE BAR / HS KIT	\$411
MOD	ARMORSHIELD P3 PROTECTION	\$149
MOD	TUBGUARD P3 PROTECTION 48" BF	\$
<b>CURTAIN RODS</b>		
ROD	CURTAIN ROD U CUP HOLDER PAIR	\$14
ROD	1" OD 20 GAUGE SS	\$71
ROD	1" OD 20 GAUGE WHITE	\$138
<b>FIELD INSTALLED ACCESSORIES</b>		
LOOSE	CURTAIN PREMIUM 54" X 72" WHITE NYLON WTD	\$180
LOOSE	CURTAIN HEAVY DUTY 54" X 72" WHITE VINYL WTD	\$111
LOOSE	TUBGUARD P3 PRO FIELD INST 48" BF	\$74

**ADDITIONAL ACCESSORIES AND SERVICES MAY BE AVAILABLE UPON REQUEST**

\*UNIT IS NOT AVAILABLE IN THE NORTHERN MARKET OR MID-AMERICA MARKET. SEE COMPARABLE UNIT G 4836 IBS.



### G 4897 IB

PHOTOGRAPH AT LEFT ILLUSTRATES PACKAGE ONE (HANDED BY CENTER DRAIN)

**Sanitary Grade Polyester Gelcoat Three Year Warranty**

#### Primary Applications:

- Healthcare
- Assisted Living

### 716

#### G 4897 I

OD: 47.875" x 37" x 77.75"

WEIGHT: 170

LOAD FACTOR: 1.06

**HANDED BY: CENTER DRAIN OR VALVE WALL L/R**

Special Notes: This unit complies with ANSI Z124.2, ASTM F462, ASTM E84, UPC, SBCCI, NAHB.

Warranty: Gelcoat models have a 3 year limited warranty. Acrylic models have a 5 year limited warranty. Pumps, parts, and accessories 1 year limited warranty. For further details please refer to the complete warranty section.

Due to the nature of the materials, dimensions may vary +/- 1/2".

DRAWING REQUEST MUST BE MADE FOR PACKAGE 2 DRAWING AND BUILT TO ORDER UNITS.



**Hamilton Bathware/Praxis Companies, LLC.**

435 Industrial Road, Savannah • Tennessee 38372 • Customer Service: 800.326.5489 • Fax: 888.246.0466 • www.hamiltonbathware.com

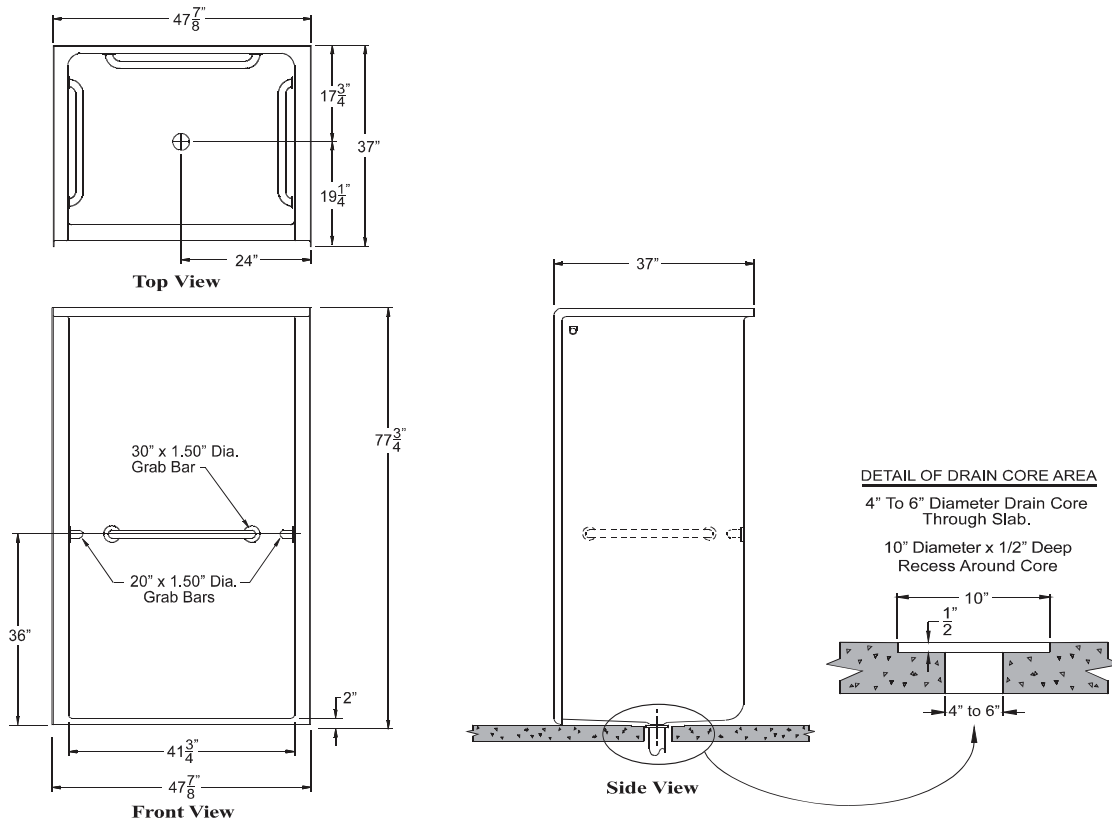
**Product Availability  
Hamilton Northeast  
NA-NOT AVAILABLE**

**Product Availability  
Hamilton Mid-America  
NA-NOT AVAILABLE**

**Product Availability  
Hamilton South  
STD-STANDARD LEADTIME**

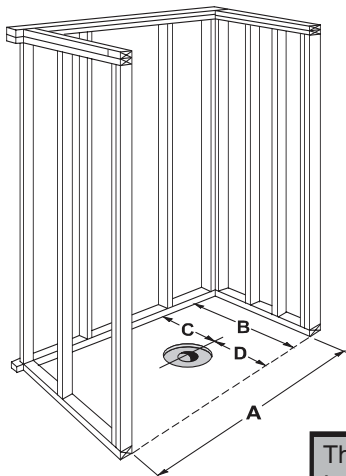
# PACKAGE ONE - ACCESSIBLE MODEL G 4897 IB

No modifications accepted (Packaged units only)



## INSTALLATION REQUIREMENTS

Unit is designed to accommodate special needs of accessibility for commercial or residential. Unit requires mud set installation procedures. Unit must be installed per warranty and Praxis guidelines.



### FRAMING DIMENSIONS

A	B	C	D
48"	37"	17 3/4"	19 1/4"

10" Diameter x 1/2" Deep Recess Around Drain Core

### STANDARD FEATURES

- High gloss gelcoat finish
- Low threshold entry
- Stainless steel grab bars

### STANDARD CODES

- ANSI Z124.2
- ASTM F463
- ASTM E84
- SBCCI
- NAHB
- UPC

### PRIMARY APPLICATIONS

- Public Buildings
- Healthcare
- College Dormitory
- Hospitality
- Schools

Confirm any requested loose accessories desired by circling the items on page one. Submittal drawing required for Prepackaged model. **NO MODIFICATIONS ACCEPTED.** All built to order model configurations and submittal drawings must be ordered.

**UPC/SKU NUMBERS** Left Hand Valve: \_\_\_\_\_ Right Hand Valve: \_\_\_\_\_

This model included in the **PRAXIS QUALITY INSTALLATION ASSURANCE PROGRAM.** Important installation procedures **MUST** be followed for the fixture to be granted a warranty.

**ATTENTION PLUMBING CONTRACTOR!!! THIS ORDER WILL NOT BE PROCESSED UNLESS THIS DOCUMENT IS SIGNED, DATED AND A CONTACT PHONE NUMBER OF THE PLUMBING CONTRACTOR IS PROVIDED. FOR ORDERS OF FOUR OR MORE UNITS, PARTICIPATION IN THE PRAXIS QUALITY INSTALLATION ASSURANCE PROGRAM IS MANDATORY FOR ACTIVATION OF PRODUCT WARRANTY.**

Signed:  Date:  Contact Phone Number:

Praxis Quality Installation Assurance Program Information: Phone: (800)-759-7744 ext: 29.

Customer Service: (800)-443-7269 Fax: (731)-925-0379

# Commercial Showers & Tub Showers

## 48" Gelcoat Shower



**Hamilton**  
BATHWARE

### Accessible Showers ONE-PIECE GELCOAT

**717**- NO MODIFICATIONS TO PACKAGES. FOR BUILT TO ORDER UNIT, SELECT BASE UNIT AND ACCESSORIES.

PKG ONE-ACCESSIBLE: G 4836 IB		List: \$1693
1.75" BF THRESHOLD	MUDSET	
Handed by CENTER DRAIN OR VALVE WALL L/R	WHITE POLYESTER GELCOAT FINISH	
Factory Installed Accessories (VALVE/SHOWER KIT NOT INCLUDED IN PKG1)		
S-BAR	20" X 1.5" SMOOTH SS	
S-BAR	20" X 1.5" SMOOTH SS	
S-BAR	30" X 1.5" SMOOTH SS	

PKG TWO-ACCESSIBLE: G 4836 IBS		List: \$2411
1.75" BF THRESHOLD	MUDSET	
Handed by VALVE WALL L/R	WHITE POLYESTER GELCOAT	
Factory Installed Accessories (VALVE/SHOWER KIT NOT INCLUDED IN PKG2)		
S-BAR	20" X 1.5" SMOOTH SS	
S-BAR	20" X 1.5" SMOOTH SS	
SEAT	28.5" X 21" FRAMELESS WHITE HDPE	

### BUILD TO ORDER BASE PLUS ACCESSORIES

BASE UNIT 1: G 4836 I		List: \$1456
SPECIFY THRESHOLD HEIGHT	MUDSET	
Handed by CENTER DRAIN OR VALVE WALL L/R		
Reinforced for Standard Accessories		

### BASE UNIT OPTIONAL ACCESSORIES List:

FINISHES		List:
STANDARD FINISH- POLYESTER GELCOAT FINISH: WHITE, BONE, BISCUIT		\$0

GRAB BARS		List:
S-BAR	20" X 1.5" SMOOTH SS	\$110
S-BAR	20" X 1.25" SMOOTH WHITE	\$151
S-BAR	20" X 1.25" PEENED SS	\$113
S-BAR	30" X 1.5" SMOOTH SS	\$121
S-BAR	30" X 1.25" SMOOTH WHITE	\$158
S-BAR	30" X 1.25" PEENED SS	\$129

STANDARD SEATS		List:
SEAT	28.5" X 21" FRAMELESS WHITE HDPE	\$723
SEAT	28.5" X 21" FRAMELESS WHITE PADDED	\$723
SEAT	28.5" X 21" FRAMELESS WOODGRAIN PHENOLIC	\$723

FACTORY MODIFICATIONS		List:
MOD	VALVE DRILLING - SPECIFY HOLE SIZE	\$56
MOD	1.75" THRESHOLD	\$111
MOD	INSTALL STANDARD SYMMONS VALVE PACKAGE	\$633
MOD	INSTALL HANS GROHE VALVE PACKAGE (XLT)	\$501
MOD	INSTALL POWERS VALVE PACKAGE (XLT)	\$656
MOD	INSTALL 30" SLIDE BAR / HS KIT	\$411
MOD	ARMORSHIELD P3 PROTECTION	\$149
MOD	TUBGUARD P3 PROTECTION 48" BF	\$56

CURTAIN RODS		List:
ROD	CURTAIN ROD U CUP HOLDER PAIR	\$14
ROD	1" OD 20 GAUGE SS	\$71
ROD	1" OD 20 GAUGE WHITE	\$138

FIELD INSTALLED ACCESSORIES		List:
LOOSE	CURTAIN PREMIUM 54" X 72" WHITE NYLON WTD	\$180
LOOSE	CURTAIN HEAVY DUTY 54" X 72" WHITE VINYL WTD	\$111
LOOSE	TUBGUARD P3 PRO FIELD INST 48" BF	\$74

ADDITIONAL ACCESSORIES AND SERVICES MAY BE AVAILABLE UPON REQUEST

\*UNIT IS NOT AVAILABLE IN THE SOUTHERN MARKET. SEE COMPARABLE UNIT G 4897 IB.

**Hamilton Bathware/Praxis Companies, LLC.**

435 Industrial Road, Savannah • Tennessee 38372 • Customer Service: 800.326.5489 • Fax: 888.246.0466 • www.hamiltonbathware.com



### G 4836 IB

PHOTOGRAPH AT LEFT ILLUSTRATES PACKAGE ONE (HANDED BY CENTER DRAIN OR VALVE WALL)

**Sanitary Grade Polyester Gelcoat Three Year Warranty**

### Primary Applications:

- Healthcare
- Assisted Living

### 717

### G 4836 I

OD: 48" x 37.25" x 78"

WEIGHT: 170

LOAD FACTOR: 1.06

**HANDED BY: CENTER DRAIN OR VALVE WALL**

Special Notes: This unit complies with ANSI Z124.2, ASTM F462, ASTM E84, UPC, SBCCI, NAHB.

Warranty: Gelcoat models have a 3 year limited warranty. Acrylic models have a 5 year limited warranty. Pumps, parts, and accessories 1 year limited warranty. For further details please refer to the complete warranty section.

Due to the nature of the materials, dimensions may vary +/- 1/2".

DRAWING REQUEST MUST BE MADE FOR PACKAGE 2 DRAWING AND BUILT TO ORDER UNITS.



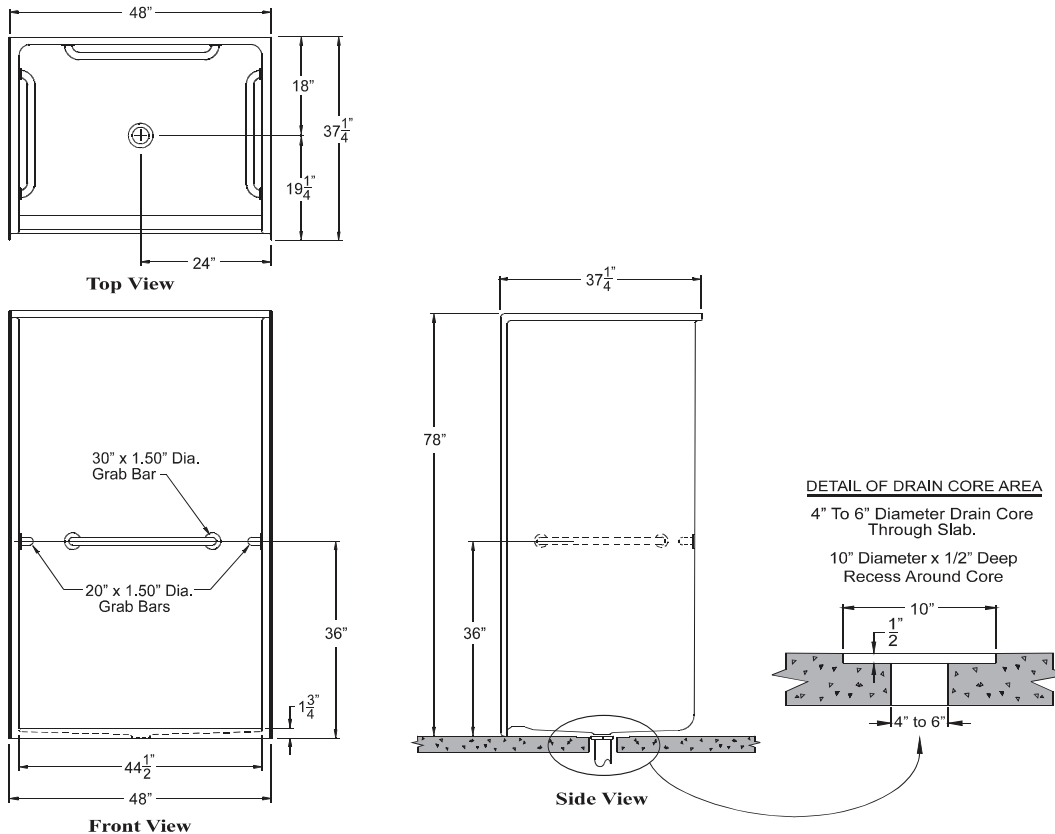
**Product Availability**  
Hamilton Northeast  
STD-STANDARD LEADTIME

**Product Availability**  
Hamilton Mid-America  
STD-STANDARD LEADTIME

**Product Availability**  
Hamilton South  
NA-NOT AVAILABLE

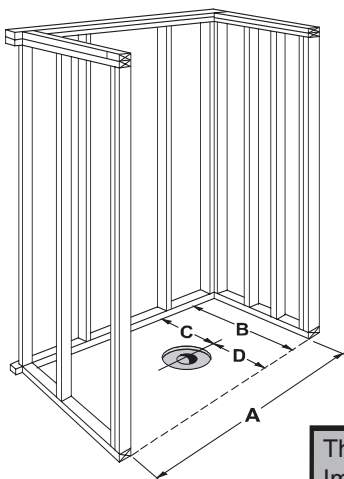
# PACKAGE ONE - ACCESSIBLE MODEL G 4836 IB

No modifications accepted (Packaged units only)



## INSTALLATION REQUIREMENTS

Unit is designed to accommodate special needs of accessibility for commercial or residential. Unit requires mud set installation procedures. Unit must be installed per warranty and Praxis guidelines.



### FRAMING DIMENSIONS

A	B	C	D
48 1/4"	37 1/4"	18"	19 1/4"

10" Diameter x 1/2" Deep Recess Around Drain Core

### STANDARD FEATURES

- High gloss gelcoat finish
- Low threshold entry
- Stainless steel grab bars

### STANDARD CODES

- ANSI Z124.2
- ASTM F463
- ASTM E84
- SBCCI
- NAHB
- UPC

### PRIMARY APPLICATIONS

- Public Buildings
- Healthcare
- College Dormitory
- Hospitality
- Schools

Confirm any requested loose accessories desired by circling the items on page one. Submittal drawing required for Prepackaged model. **NO MODIFICATIONS ACCEPTED.** All built to order model configurations and submittal drawings must be ordered.

**UPC/SKU NUMBERS** Left Hand Valve: \_\_\_\_\_ Right Hand Valve: \_\_\_\_\_

This model included in the **PRAXIS QUALITY INSTALLATION ASSURANCE PROGRAM.** Important installation procedures **MUST** be followed for the fixture to be granted a warranty.

**ATTENTION PLUMBING CONTRACTOR!!! THIS ORDER WILL NOT BE PROCESSED UNLESS THIS DOCUMENT IS SIGNED, DATED AND A CONTACT PHONE NUMBER OF THE PLUMBING CONTRACTOR IS PROVIDED. FOR ORDERS OF FOUR OR MORE UNITS, PARTICIPATION IN THE PRAXIS QUALITY INSTALLATION ASSURANCE PROGRAM IS MANDATORY FOR ACTIVATION OF PRODUCT WARRANTY.**

Signed:  Date:  Contact Phone Number:

Praxis Quality Installation Assurance Program Information: Phone: (800)-759-7744 ext: 29.

Customer Service: (800)-443-7269 Fax: (731)-925-0379

# Commercial Showers & Tub Showers

## 48" Gelcoat Shower



**Hamilton**  
BATHWARE

### Accessible Showers ONE-PIECE GELCOAT

<b>718- NO MODIFICATIONS TO PACKAGES. FOR BUILT TO ORDER UNIT, SELECT BASE UNIT AND ACCESSORIES.</b>		
<b>PKG ONE-ACCESSIBLE: G 4837 SH 1S</b>		<b>List: \$1057</b>
4" THRESHOLD	SHIM	
Handed by SEAT L/R	WHITE POLYESTER GELCOAT FINISH	
Factory Installed Accessories (VALVE/SHOWER KIT NOT INCLUDED IN PKG1)		
S-BAR	16" X 1.5" SMOOTH SS	
S-BAR	20" X 1.5" SMOOTH SS	
SEAT	MOLDED 18" H	
<b>BUILD TO ORDER BASE PLUS ACCESSORIES</b>		
<b>BASE UNIT 1: G 4837 SH 1S</b>		<b>List: \$835</b>
SPECIFY THRESHOLD HEIGHT	SHIM	
Handed by SEAT L/R		
Reinforced for Standard Accessories		
<b>BASE UNIT OPTIONAL ACCESSORIES</b>		<b>List:</b>
<b>FINISHES</b>		
STANDARD FINISH- POLYESTER GELCOAT FINISH: WHITE, BONE, BISCUIT		\$0
<b>GRAB BARS</b>		
S-BAR	16" X 1.5" SMOOTH SS	\$112
S-BAR	16" X 1.25" SMOOTH WHITE	\$173
S-BAR	16" X 1.25" PEENED SS	\$111
S-BAR	20" X 1.5" SMOOTH SS	\$110
S-BAR	20" X 1.25" SMOOTH WHITE	\$151
S-BAR	20" X 1.25" PEENED SS	\$113
<b>FACTORY MODIFICATIONS</b>		
MOD	VALVE DRILLING - SPECIFY HOLE SIZE	\$56
MOD	3.25" THRESHOLD	\$111
MOD	4" THRESHOLD	\$111
MOD	ARMORSHIELD P3 PROTECTION	\$149
MOD	INSTALL 30" SLIDE BAR / HS KIT	\$411
MOD	INSTALL STANDARD SYMMONS VALVE PACKAGE	\$633
MOD	INSTALL HANS GROHE VALVE PACKAGE (XLT)	\$501
MOD	INSTALL POWERS VALVE PACKAGE (XLT)	\$656
<b>CURTAIN RODS</b>		
ROD	CURTAIN ROD U CUP HOLDER PAIR	\$14
ROD	1" OD 20 GAUGE SS	\$71
ROD	1" OD 20 GAUGE WHITE	\$138
<b>FIELD INSTALLED ACCESSORIES</b>		
LOOSE	CURTAIN PREMIUM 54" X 72" WHITE NYLON WTD	\$180
LOOSE	CURTAIN HEAVY DUTY 54" X 72" WHITE VINYL WTD	\$111
<b>ADDITIONAL ACCESSORIES AND SERVICES MAY BE AVAILABLE UPON REQUEST</b>		



### G 4837 SH 1S

PHOTOGRAPH AT LEFT  
ILLUSTRATES PACKAGE ONE  
(HANDED BY SEAT LEFT)

**Sanitary Grade  
Polyester Gelcoat  
Three Year Warranty**

#### Primary Applications:

- Healthcare
- College Dormitory
- Hospitality
- Multi-Family
- Assisted Living

**718**

### G 4837 SH 1S

OD: 48" x 37" x 78"

WEIGHT: 155

LOAD FACTOR: 1.06

**HANDED BY: SEAT L/R**

Special Notes: This unit complies with ANSI Z124.2, ASTM F462, ASTM E84, UPC, SBCCI, NAHB.

Warranty: Gelcoat models have a 3 year limited warranty. Acrylic models have a 5 year limited warranty. Pumps, parts, and accessories 1 year limited warranty. For further details please refer to the complete warranty section.

Due to the nature of the materials, dimensions may vary +/- 1/2".

DRAWING REQUEST MUST BE MADE FOR PACKAGE 2 DRAWING AND BUILT TO ORDER UNITS.



### Hamilton Bathware/Praxis Companies, LLC.

435 Industrial Road, Savannah • Tennessee 38372 • Customer Service: 800.326.5489 • Fax: 888.246.0466 • www.hamiltonbathware.com

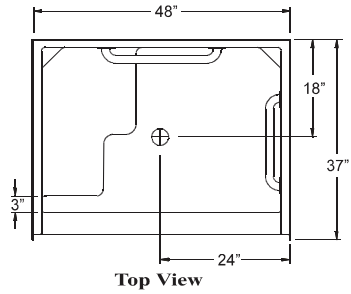
**Product Availability  
Hamilton Northeast  
STD-STANDARD LEADTIME**

**Product Availability  
Hamilton Mid-America  
STD-STANDARD LEADTIME**

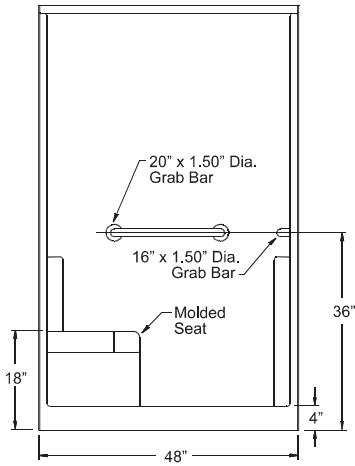
**Product Availability  
Hamilton South  
STD-STANDARD LEADTIME**

# PACKAGE ONE - ACCESSIBLE MODEL G 4837 SH 1S

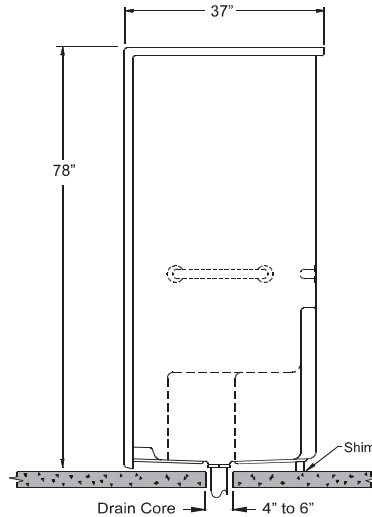
No modifications accepted (Packaged units only)



Top View



Front View

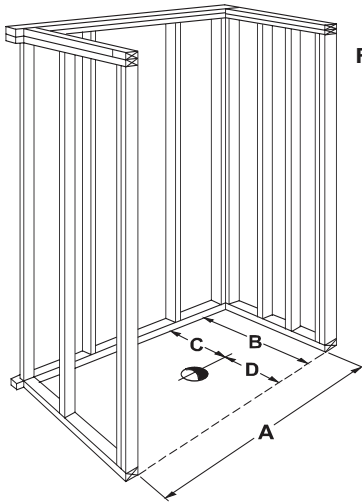


Side View

NOTE: Due to the nature of the materials, dimension may vary + - 1/2".

## INSTALLATION REQUIREMENTS

Unit is designed to accommodate special needs of accessibility for commercial or residential. Unit must be installed per warranty and Praxis guidelines.



### FRAMING DIMENSIONS

A	B	C	D
48 1/4"	37"	18"	19"

### STANDARD FEATURES

- High gloss gelcoat finish
- One piece design
- Molded soap dishes
- Molded seat, right or left
- Stainless steel grab bars

### STANDARD CODES

- ANSI Z124.2
- ASTM F463
- ASTM E84
- SBCCI
- NAHB
- UPC

### PRIMARY APPLICATIONS

- Public Buildings
- Healthcare
- College Dormitory
- Hospitality
- Schools

Confirm any requested loose accessories desired by circling the items on page one. Submittal drawing required for Prepackaged model. **NO MODIFICATIONS ACCEPTED.**

All built to order model configurations and submittal drawings must be ordered.

**UPC/SKU NUMBERS** Left Hand Valve: \_\_\_\_\_ Right Hand Valve: \_\_\_\_\_

**ATTENTION PLUMBING CONTRACTOR!!! THIS ORDER WILL NOT BE PROCESSED UNLESS THIS DOCUMENT IS SIGNED, DATED AND A CONTACT PHONE NUMBER OF THE PLUMBING CONTRACTOR IS PROVIDED.**

Signed:  Date:  Contact Phone Number:

Customer Service: (800)-443-7269 Fax: (731)-925-0379



# Commercial Showers & Tub Showers

## 48" Acrylic Shower



**Hamilton**  
BATHWARE

### Accessible Showers DOME TOP ACRYLIC

<b>719- NO MODIFICATIONS TO PACKAGES. FOR BUILT TO ORDER UNIT, SELECT BASE UNIT AND ACCESSORIES.</b>		
<b>PKG ONE -ACCESSIBLE: H 4836 IBS</b>		<b>List: \$1986</b>
2" THRESHOLD	MUDSET	
Handed by Valve Wall L/R	WHITE PREMIUM CAST ACRYLIC	
Factory Installed Accessories (VALVE/SHOWER KIT NOT INCLUDED IN PKG1)		
S-BAR	24" X 1.5" SMOOTH SS	
L-BAR	25" X 20" X 1.5" SMOOTH SS RADIUS	
SEAT	ACRYLIC MOLDED SEAT L/R	
ROD	1" OD 20 GAUGE SS GROMMET STYLE	
<b>BUILD TO ORDER BASE PLUS ACCESSORIES</b>		
<b>BASE UNIT 1: H 4836 I</b>		<b>List: \$1604</b>
SPECIFY THRESHOLD HEIGHT	MUDSET	
Handed by Valve Wall L/R		
Reinforced for Standard Accessories		
<b>BASE UNIT OPTIONAL ACCESSORIES</b>		<b>List:</b>
<b>FINISHES</b>		
STANDARD FINISH- PREMIUM CAST ACRYLIC: WHITE, BONE, BISCUIT		\$0
<b>GRAB BARS</b>		
S-BAR	24" X 1.5" SMOOTH SS	\$117
S-BAR	24" X 1.25" SMOOTH WHITE	\$154
S-BAR	24" X 1.25" PEENED SS	\$136
L-BAR	25" X 20" X 1.5" SMOOTH SS RADIUS	\$195
L-BAR	25" X 20" X 1.25" SMOOTH WHITE RADIUS	\$298
L-BAR	25" X 20" X 1.25" PEENED SS RADIUS	\$220
<b>STANDARD SEATS</b>		
SEAT	ACRYLIC MOLDED SEAT L/R	\$100
SEAT	28.5" X 21" FRAMELESS WHITE HDPE RAD	\$723
SEAT	28.5" X 21" FRAMELESS WHITE PADDED RAD	\$723
SEAT	28.5" X 21" FRAMELESS WOODGRAIN PHENOLIC RAD	\$723
<b>FACTORY MODIFICATIONS</b>		
MOD	MODIFIED DRAIN LOCATION-SPECIFY LOCATION	\$500
MOD	VALVE DRILLING - SPECIFY HOLE SIZE	\$56
MOD	.75" THRESHOLD (EASYBASE)	\$111
MOD	2" THRESHOLD	\$0
MOD	INSTALL 30" SLIDE BAR / HS KIT	\$411
MOD	INSTALL STANDARD SYMMONS VALVE PACKAGE	\$633
MOD	INSTALL HANS GROHE VALVE PACKAGE (XLT)	\$501
MOD	INSTALL POWERS VALVE PACKAGE (XLT)	\$656
<b>CURTAIN RODS</b>		
ROD	1" OD 20 GAUGE SS GROMMET STYLE	\$71
ROD	1" OD 20 GAUGE WHITE GROMMET STYLE	\$138
<b>FIELD INSTALLED ACCESSORIES</b>		
LOOSE	CURTAIN PREMIUM 54" X 72" WHITE NYLON WTD	\$180
LOOSE	CURTAIN HEAVY DUTY 54" X 72" WHITE VINYL WTD	\$111
<b>ADDITIONAL ACCESSORIES AND SERVICES MAY BE AVAILABLE UPON REQUEST</b>		



### H 4836 IBS

PHOTOGRAPH AT LEFT ILLUSTRATES PACKAGE ONE (HANDED BY VALVE WALL RIGHT)

*Premium Cast Acrylic*

*Five Year Warranty*

#### Primary Applications:

- Public Buildings
- Healthcare
- College Dormitory
- Hospitality
- Schools

**719**

**H 4836 I**

OD: 48" x 35.5" x 84"

WEIGHT: 200

LOAD FACTOR: 1.06

**HANDED BY: VALVE WALL L/R**

Special Notes: This unit complies with ANSI Z124.2, ASTM F462, ASTM E84, UPC, SBCCI, NAHB.

Warranty: Gelcoat models have a 3 year limited warranty. Acrylic models have a 5 year limited warranty. Pumps, parts, and accessories 1 year limited warranty. For further details please refer to the complete warranty section.

Due to the nature of the materials, dimensions may vary +/- 1/2".

DRAWING REQUEST MUST BE MADE FOR PACKAGE 2 DRAWING AND BUILT TO ORDER UNITS.



**Hamilton Bathware/Praxis Companies, LLC.**

435 Industrial Road, Savannah • Tennessee 38372 • Customer Service: 800.326.5489 • Fax: 888.246.0466 • www.hamiltonbathware.com

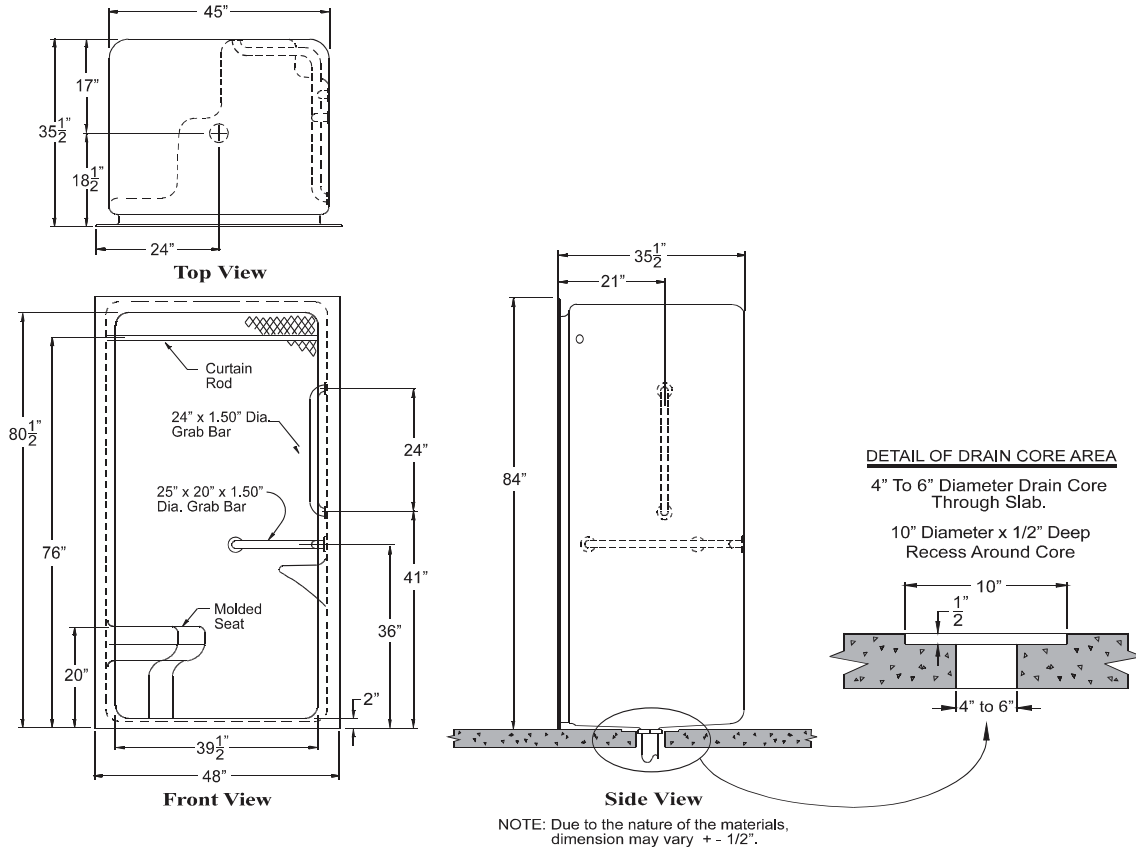
**Product Availability**  
**Hamilton Northeast**  
**XLT-EXTENDED LEADTIME**

**Product Availability**  
**Hamilton Mid-America**  
**XLT-EXTENDED LEADTIME**

**Product Availability**  
**Hamilton South**  
**STD-STANDARD LEADTIME**

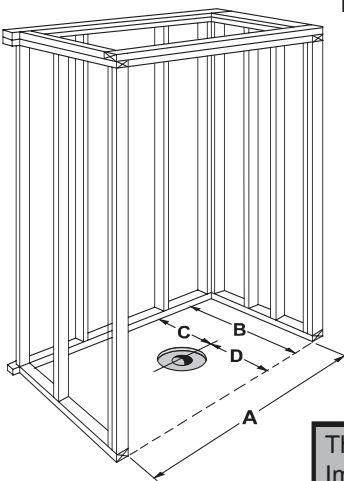
# PACKAGE ONE - ACCESSIBLE MODEL H 4836 IBS

No modifications accepted (Packaged units only)



## INSTALLATION REQUIREMENTS

Unit is designed to accommodate special needs of accessibility for commercial or residential. Unit requires mud set installation procedures. Unit must be installed per warranty and Praxis guidelines.



### FRAMING DIMENSIONS

A	B	C	D
48 1/4"	35 1/2"	17"	18 1/2"

10" Diameter x 1/2" Deep Recess Around Drain Core

### STANDARD FEATURES

- Durable acrylic finish
- Low threshold entry
- Integral dome
- Molded seat
- Stainless steel grab bars
- Stainless steel curtain rod

### STANDARD CODES

- ANSI Z124.2
- ASTM F463
- ASTM E84
- SBCCI
- NAHB
- UPC

### PRIMARY APPLICATIONS

- Public Buildings
- Healthcare
- College Dormitory
- Hospitality
- Schools

Confirm any requested loose accessories desired by circling the items on page one.

Submittal drawing required for Prepackaged model. **NO MODIFICATIONS ACCEPTED.**

All built to order model configurations and submittal drawings must be ordered.

**UPC/SKU NUMBERS** Left Hand Valve: \_\_\_\_\_ Right Hand Valve: \_\_\_\_\_

This model included in the **PRAXIS QUALITY INSTALLATION ASSURANCE PROGRAM.** Important installation procedures **MUST** be followed for the fixture to be granted a warranty.

**ATTENTION PLUMBING CONTRACTOR!!!** THIS ORDER WILL NOT BE PROCESSED UNLESS THIS DOCUMENT IS SIGNED, DATED AND A CONTACT PHONE NUMBER OF THE PLUMBING CONTRACTOR IS PROVIDED. FOR ORDERS OF FOUR OR MORE UNITS, PARTICIPATION IN THE PRAXIS QUALITY INSTALLATION ASSURANCE PROGRAM IS MANDATORY FOR ACTIVATION OF PRODUCT WARRANTY.

Signed:  Date:  Contact Phone Number:

Praxis Quality Installation Assurance Program Information: Phone: (800)-759-7744 ext: 29.

Customer Service: (800)-443-7269 Fax: (731)-925-0379

# Commercial Showers & Tub Showers

## 36" Gelcoat Shower



**Hamilton**  
BATHWARE

### Accessible Showers OPEN TOP GELCOAT

<b>720- NO MODIFICATIONS TO PACKAGES. FOR BUILT TO ORDER UNIT, SELECT BASE UNIT AND ACCESSORIES.</b>		
<b>PKG ONE-ACCESSIBLE: G 3636 SH</b>		<b>List: \$1565</b>
4" THRESHOLD	SHIM	
HANDED BY VALVE WALL L/R	WHITE POLYESTER GELCOAT FINISH	
Factory Installed Accessories (VALVE/SHOWER KIT NOT INCLUDED IN PKG1)		
S-BAR	18" X 1.5" SMOOTH SS	
S-BAR	18" X 1.5" SMOOTH SS	
SEAT	16" X 14.5" WHITE PADDED FOLD-UP	
THIS UNIT IS DESIGNED TO ACCOMMODATE SPECIAL NEEDS OF ACCESSIBILITY FOR MANY COMMERCIAL OR RESIDENTIAL APPLICATIONS.		
<b>BUILD TO ORDER BASE PLUS ACCESSORIES</b>		
<b>BASE UNIT 1: G 3636 SH</b>		<b>List: \$878</b>
SPECIFY THRESHOLD HEIGHT	SHIM	
Handed by Valve Wall L/R		
Reinforced for Standard Accessories		
<b>BASE UNIT OPTIONAL ACCESSORIES</b>		<b>List:</b>
<b>FINISHES</b>		
STANDARD FINISH- POLYESTER GELCOAT FINISH: WHITE, BONE, BISCUIT		\$0
<b>GRAB BARS</b>		
S-BAR	18" X 1.5" SMOOTH SS	\$109
S-BAR	18" X 1.25" SMOOTH WHITE	\$140
S-BAR	18" X 1.25" PEENED SS	\$118
<b>STANDARD SEATS (FRAME STYLE)</b>		
SEAT	16" X 14.5" WHITE PADDED FOLD-UP	\$470
<b>FACTORY MODIFICATIONS</b>		
MOD	VALVE DRILLING - SPECIFY HOLE SIZE	\$56
MOD	INSTALL STANDARD SYMMONS VALVE PACKAGE	\$633
MOD	INSTALL HANS GROHE VALVE PACKAGE (XLT)	\$501
MOD	INSTALL POWERS VALVE PACKAGE (XLT)	\$656
MOD	4" THRESHOLD	\$111
MOD	INSTALL 30" SLIDE BAR / HS KIT	\$411
MOD	ARMORSHIELD P3 PROTECTION	\$149
MOD	TUBGUARD P3 PROTECTION - STANDARD 36"	\$86
<b>CURTAIN RODS</b>		
ROD	CURTAIN ROD U CUP HOLDER PAIR	\$14
ROD	1" OD 20 GAUGE SS	\$71
ROD	1" OD 20 GAUGE WHITE	\$138
<b>FIELD INSTALLED ACCESSORIES</b>		
LOOSE	CURTAIN PREMIUM 42" X 72" WHITE NYLON WTD	\$118
LOOSE	CURTAIN HEAVY DUTY 42" X 72" WHITE VINYL WTD	\$96
LOOSE	TUBGUARD P3 PRO FIELD INST - STANDARD 36"	\$74
ADDITIONAL ACCESSORIES AND SERVICES MAY BE AVAILABLE UPON REQUEST		



### G 3636 SH

PHOTOGRAPH AT LEFT ILLUSTRATES PACKAGE ONE (HANDED BY VALVE WALL LEFT)

**Sanitary Grade Polyester Gelcoat Three Year Warranty**

#### Primary Applications:

- Healthcare
- College Dormitory
- Multi-Family
- Assisted Living

**720**

### G 3636 SH

OD: 35.75" x 37.25" x 77.5"

WEIGHT: 150

LOAD FACTOR: 1.06

HANDED BY: VALVE WALL L/R

Special Notes: This unit complies with ANSI Z124.2, ASTM F462, ASTM E84, UPC, SBCCI, NAHB.

Warranty: Gelcoat models have a 3 year limited warranty. Acrylic models have a 5 year limited warranty. Pumps, parts, and accessories 1 year limited warranty. For further details please refer to the complete warranty section.

Due to the nature of the materials, dimensions may vary +/- 1/2".

DRAWING REQUEST MUST BE MADE FOR PACKAGE 2 DRAWING AND BUILT TO ORDER UNITS.



**Hamilton Bathware/Praxis Companies, LLC.**

435 Industrial Road, Savannah • Tennessee 38372 • Customer Service: 800.326.5489 • Fax: 888.246.0466 • www.hamiltonbathware.com

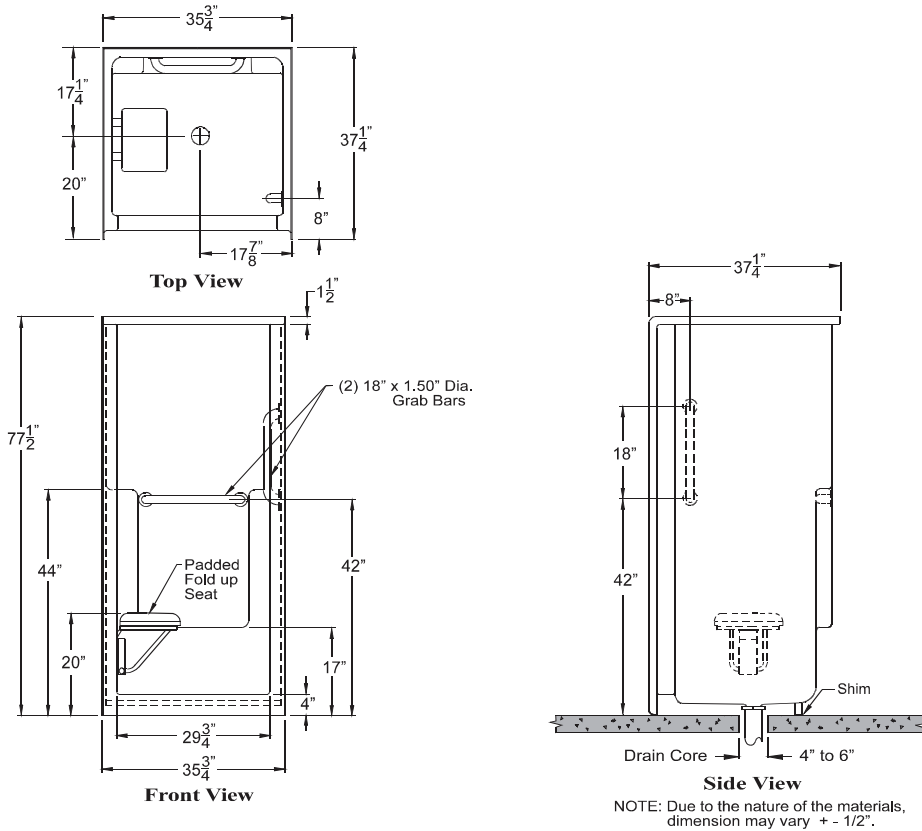
**Product Availability**  
**Hamilton Northeast**  
**XL-EXTENDED LEADTIME**

**Product Availability**  
**Hamilton Mid-America**  
**XL-EXTENDED LEADTIME**

**Product Availability**  
**Hamilton South**  
**STD-STANDARD LEADTIME**

# PACKAGE ONE - ACCESSIBLE MODEL G 3636 SH

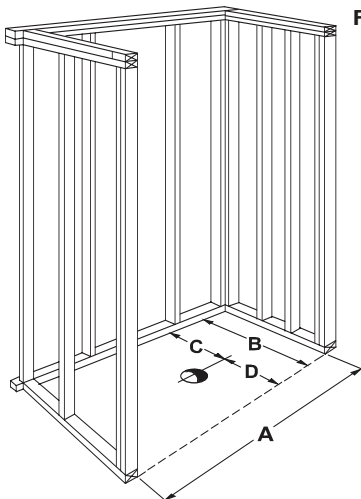
No modifications accepted (Packaged units only)



NOTE: Due to the nature of the materials, dimension may vary +/- 1/2".

## INSTALLATION REQUIREMENTS

Unit is designed to accommodate special needs of accessibility for commercial or residential. Unit must be installed per warranty and Praxis guidelines.



### FRAMING DIMENSIONS

A	B	C	D
36"	37 1/4"	17 1/4"	20"

### STANDARD FEATURES

- High gloss gelcoat finish
- One piece design
- Molded soap dishes
- Padded fold up seat
- Stainless steel grab bars

### STANDARD CODES

- ANSI Z124.2
- ASTM F463
- ASTM E84
- SBCCI
- NAHB
- UPC

### PRIMARY APPLICATIONS

- Public Buildings
- Healthcare
- College Dormitory
- Hospitality
- Schools

Confirm any requested loose accessories desired by circling the items on page one. Submittal drawing required for Prepackaged model. **NO MODIFICATIONS ACCEPTED.**

All built to order model configurations and submittal drawings must be ordered.

UPC/SKU NUMBERS Left Hand Valve: \_\_\_\_\_ Right Hand Valve: \_\_\_\_\_

**ATTENTION PLUMBING CONTRACTOR!!! THIS ORDER WILL NOT BE PROCESSED UNLESS THIS DOCUMENT IS SIGNED, DATED AND A CONTACT PHONE NUMBER OF THE PLUMBING CONTRACTOR IS PROVIDED.**

Signed:  Date:  Contact Phone Number:

Customer Service: (800)-443-7269 Fax: (731)-925-0379