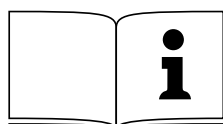
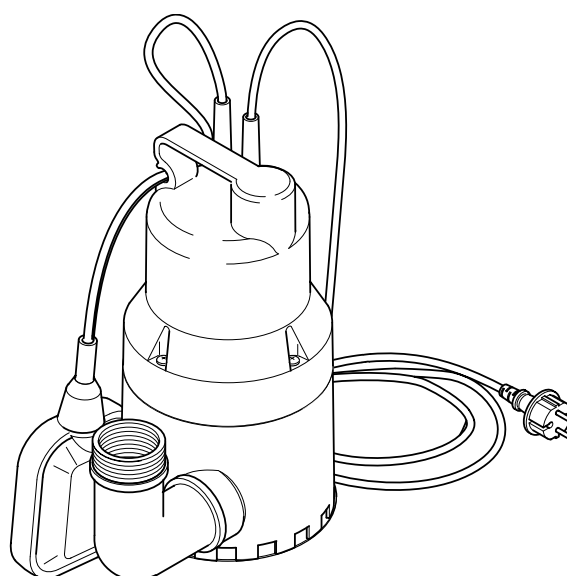









ELEKTRA BECKUM

Ein Unternehmen der Metabo-Gruppe



TP 7000 S



 Betriebsanleitung	3
 Operating Instruction	8
 Instructions d'utilisation	12
 Handleiding	17
 Manual de uso	22
 Betjeningsvejledning	27
 Bruksanvisning	31

D DEUTSCH**KONFORMITÄTSERKLÄRUNG**

Wir erklären in alleiniger Verantwortlichkeit, daß dieses Produkt mit den folgenden Normen übereinstimmt* gemäß den Bestimmungen der Richtlinien**

F FRANÇAIS**DECLARATION DE CONFORMITE**

Nous déclarons, sous notre seule responsabilité, que ce produit est en conformité avec les normes ou documents normatifs suivants* en vertu des dispositions des directives **

IT ITALIANO**DICHIARAZIONE DI CONFORMITÀ**

Noi dichiariamo sotto la nostra esclusiva responsabilità che il presente prodotto è conforme alle seguenti norme* in conformità con le disposizioni delle normative **

PT PORTUGUÊS**DECLARAÇÃO DE CONFORMIDADE**

Declaramos sob nossa responsabilidade que este produto está de acordo com as seguintes normas* de acordo com as directrizes dos regulamentos **

FIN SUOMI**VAATIMUKSEN MUKAISUUSVAKUUTUS**

Vakuutamme, että tämä tuote vastaa seuraavia norveja* on direktiivien määräysten mukainen**

DA DANSK**OVERENSSTEMMELSESTATTEST**

Hermed erklærer vi på eget ansvar, at dette produkt stemmer overens ed følgende standarder* iht bestemmelserne i direktiverne**

EL ΕΛΛΗΝΙΚΑ**ΔΗΛΩΣΗ ΑΝΤΙΣΤΟΙΧΕΙΑΣ**

Δηλώνουμε με ίδια ευθύνη ότι το προϊόν αυτό αντιστοιχεί στις ακόλουθες προδιαγραφές* σύμφωνα με τις διατάξεις των οδηγιών**

ENG ENGLISH**DECLARATION OF CONFORMITY**

We herewith declare in our sole responsibility that this product complies with the following standards* in accordance with the regulations of the undermentioned Directives**

NL NEDERLANDS**CONFORMITEITSVERKLARING**

Wij verklaren als enige verantwoordelijke, dat dit product in overeenstemming is met de volgende normen* conform de bepalingen van de richtlijnen**

ES ESPAÑOL**DECLARACION DE CONFORMIDAD**

Declaramos bajo nuestra exclusiva responsabilidad, que el presente producto cumple con las siguientes normas* de acuerdo a lo dispuesto en las directrices**

SV SVENSKA**FÖRSÄKRAN OM ÖVERENSSTÄMMELSE**

Vi försäkrar på eget ansvar att denna produkt överensstämmer med följande standarder* enligt bestämmelserna i direktiven**

NO NORGE**SAMSVAR SERKLÆRING**

Vi erklærer under eget ansvar at dette produkt samsvarer med følgende normer* henhold til bestemmelsene i direktiv**

POL POLSKI**OŚWIADCZENIE O ZGODNOŚCI**

Oświadczamy z pełną odpowiedzialnością, że niniejszy produkt odpowiada wymogom następujących norm* według ustaleń wytycznych **

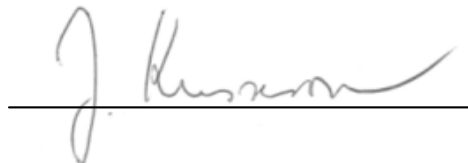
HU MAGYAR**MEGEGYZŐSÉGI NYILATKOZAT**

Kizárólagos felelősségünk tudatában ezennel igazoljuk, hogy ez a termék kielégíti az alábbi szabványokban lefektetett követelményeket* megfelel az alábbi irányelvek előírásainak**

TP 7000 S

* EN 292-1, EN 292-2, EN 60335-1 (1988-99), EN 60335-2-41(1990-91), EN 60055-2, -3

** 98/37/EG, 73/23/EWG, 89/336/EW, 93/68/EWG



Jürgen Kusserow

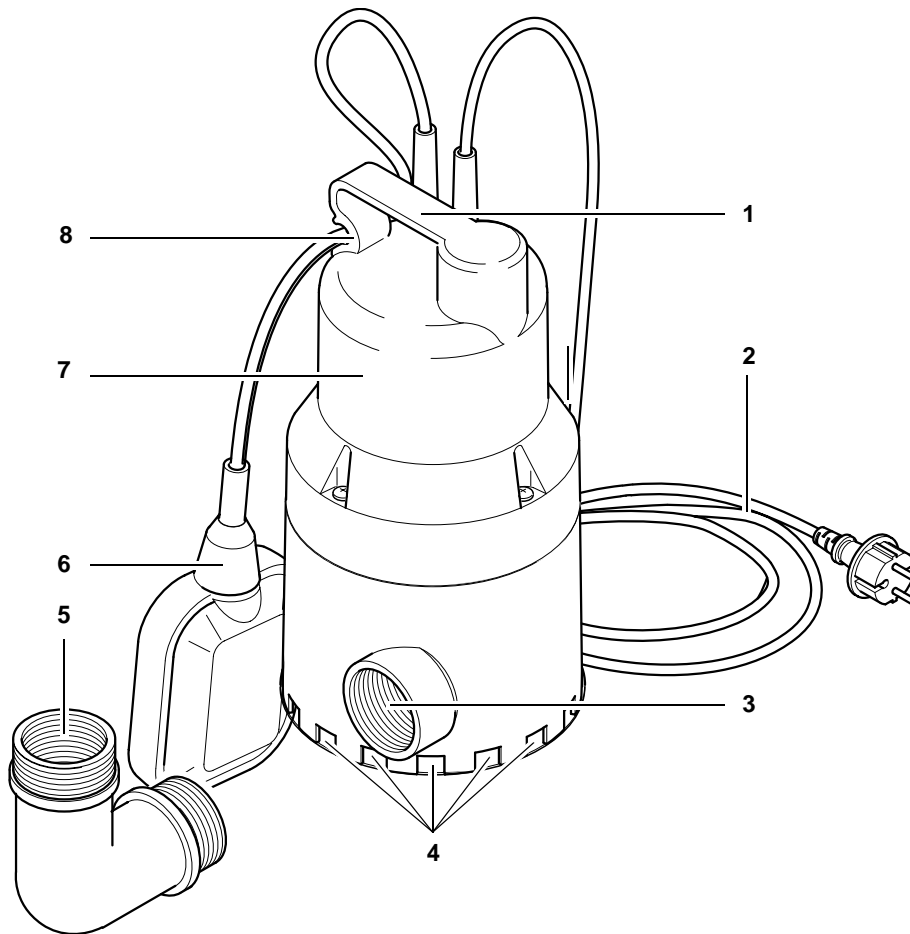
Vorstand



ELEKTRA BECKUM AG – Daimlerstraße 1 – 49716 Meppen

1000998/ 00

1. Machine Overview



- 1 Handle / cable eye
- 2 Power cable with plug
- 3 Discharge port
- 4 Suction inlet
- 5 Elbow
- 6 Float switch
- 7 Pump casing
- 8 Cable holder

Table of Contents

1. Machine Overview	8
2. Please Read First!.....	9
3. Range of Application and Media	9
4. Safety	9
4.1 Specified conditions of use	9
4.2 General safety instructions	9
5. Prior to Operation	9
5.1 Discharge hose connection	9
5.2 Installation.....	9
6. Operation.....	10
6.1 Switching ON and OFF	10
6.2 Pump characteristic curve	10
7. Care and Maintenance.....	10
7.1 Periodic maintenance	10
7.2 Pump storage	10
8. Trouble Shooting	10
8.1 Fault finding	10
9. Repairs.....	11
10. Environmental Protection	11
11. Available Accessories	11
12. Technical Specifications	11
13. Available Accessories	35

2. Please Read First!

- Read these instructions before use. Pay special attention to the safety instructions.
- Disregard of the instructions renders the warranty null and void; the equipment manufacturer is not liable for any damage resulting from disregard of the instructions.
- If you notice transport damage while unpacking, notify your supplier immediately. **Do not** operate the machine!
- Dispose of the packing in an environmentally friendly manner. Take to a proper collecting point.
- Save these instructions - refer to them when in doubt.
- If you lend or sell this machine be sure to have the instructions go with it.

3. Range of Application and Media

This pump is intended for pumping water in domestic applications, such as

- pumping containers, sumps and flooded basements;
- fountain pumps;
- circulation to avoid putrefaction;
- feeding false rivulets and brooks.



Caution!

The max. permissible fluid temperature is 35 °C.

Pumping liquids containing abrasives (such as sand) reduces the service life of the pump.

4. Safety

4.1 Specified conditions of use

This pump must not be used to supply drinking water or for pumping foodstuff.

Explosive, flammable, aggressive fluids or substances detrimental to health, sewage must not be pumped.

This equipment is not suitable for commercial or industrial use.

Any other use is not as specified. Use not as specified, alteration of the machine or use of parts that are not approved by the equipment manufacturer, can cause unforeseeable damage!

4.2 General safety instructions

Children, juveniles and persons not familiar with the instructions are not permitted to operate the pump.

When used in swimming pools and garden ponds and their range of protection, the regulations according to DIN VDE 0100 -702, -738 are to be observed. Also all local regulations pertaining to the safe operation of submersible pumps are to be observed.

The following residual risks do principally exist when operating submersible pumps and can not be fully eliminated – even by employing safety devices.



Hazard by ambient conditions!

Do not use the pump in hazardous locations or near inflammable liquids and gases!



Danger! Risk of electric shock!

Do not touch the plug with wet hands! To unplug always pull at the plug, not the power cable.

Connect only to an earthed outlet that is properly installed, earthed and tested. Mains voltage and fuse protection must correspond to those stated in the "Technical Specifications".

Protection must be provided by a residual current device (RCD) of max. 30 mA capacity.

Use only extension cables of sufficient lead cross section (see "Technical Specifications"). Unroll cable reels fully.

Do not buckle, squeeze, drag or drive over power cable and extension cables; protect from sharp edges.

Place extension cable so that it can not get into the fluid to be pumped.

Always unplug before servicing the pump.



Danger by pump failings!

Before each use check the pump, especially the power cable, plug and float switch for possible damage. Risk of fatal electric shock!

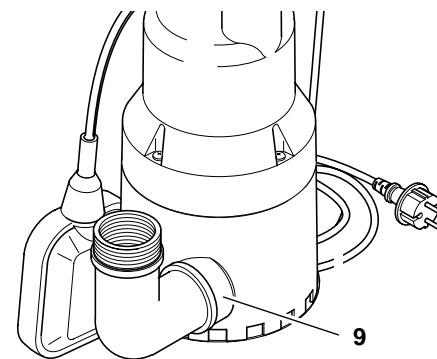
A damaged pump must be workmanlike repaired before it can be used again.

Do not attempt to repair the pump yourself! When repaired inexpertly there is a hazard of fluid entering the electrical parts of the pump.

5. Prior to Operation

5.1 Discharge hose connection

- Attach discharge hose to the discharge port (9).



5.2 Installation

- Required space is approx. 50 cm x 50 cm (for the float switch to operate properly it must be able to move freely).
- The pump must not be submerged deeper into water than stated in the "Technical Specifications".
- Place pump so that the suction inlet can not be blocked by foreign objects (stand on a base, if necessary).
- Ensure sufficient upright stability.



Caution!

Do not lift pump at the cable or discharge hose; both are not designed for the tensile load by the weight of the pump.

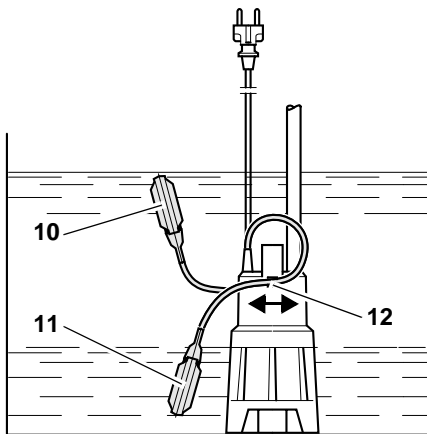
1. Submerge pump at an angle to avoid an air cushion at the underside, which would prevent priming. Once the pump is submerged, it can be set into an upright position.
2. Lower pump to the bottom of the fluid container. Use a strong rope, fastened to the cable eye, to lower the pump.
The pump can also be operated when suspended by a rope.

6. Operation

6.1 Switching ON and OFF

After connection to the mains, the submersible pump is automatically switched ON and OFF by the float switch:

- It starts pumping when the fluid has lifted the float switch fully (10).
- The pump switches OFF when the float switch has fallen down (11).



The cable for the float switch can be moved in the cable holder (12) to adjust the distance between the switching ON and OFF positions:

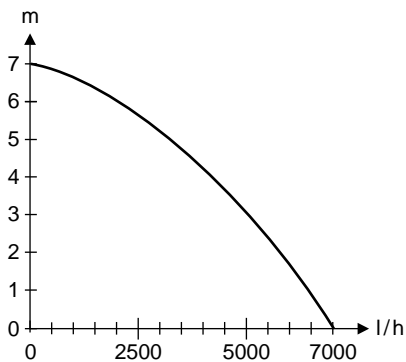
- Float switch on a "short cable": the On and OFF positions are close together.
- Float switch on a "long cable": the On and OFF positions are wide apart.



Caution!
The float switch must be able to move in such way that the pump can not run dry.

6.2 Pump characteristic curve

The pump characteristic curve shows which pump capacity is possible in dependance on the delivery head.



7. Care and Maintenance



Danger!
Prior to all servicing:

- Switch Off.
- Unplug.

Service and repair work other than described here must be left to qualified specialists.

7.1 Periodic maintenance

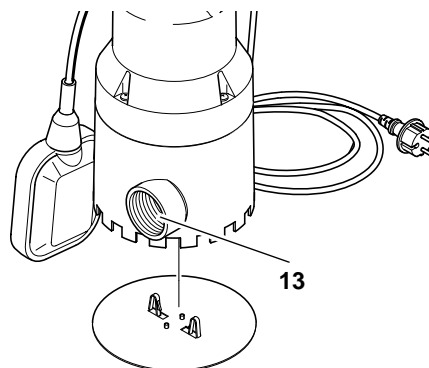
For the pump to function perfectly at any time periodic maintenance is required. This also applies if the pump is used under heavy conditions, but does not run for extended periods of time (e.g. when used in well drains):

Yearly service

1. Check pump casing, cables and float switch for damage.
2. Rinse pump with clear water. Remove persistent soiling, e.g. algae desposits, with brush and dishwashing liquid.
3. To flush the inside of the pump, place it into a container filled with clear water and switch ON briefly.

Cleaning the strainer

1. Remove strainer base by spreading the clips.



2. Clean all accessible inside surfaces of the casing. Remove any fibres, which may have wound around the impeller shaft, through the discharge port opening (13). Remove persistent soiling with brush and dishwashing liquid.
3. Reassemble pump.

7.2 Pump storage



Caution!
Frost damages the pump and accessories, as both always contain water!

- When there is danger of freezing remove pump and accessories and store at a frost-proof location.

8. Trouble Shooting



Danger!
Prior to all servicing:

- Switch Off.
- Unplug.

8.1 Fault finding

Pump does not run:

- No mains voltage.
 - Check cables, plug, outlet and mains fuse.
- Mains voltage too low.
 - Use only extension cables with sufficient lead cross section (see "Technical Specifications").
- Motor overheated, motor protection relay tripped.
 - Remove cause for overheating (fluid pumped too hot? Pump blocked by foreign objects?)
 - After cooling off the pump will switch ON again.
- Float switch does not switch the pump ON.
 - Ensure there is a sufficient water supply.
 - Make sure the float switch can move unrestricted.

Motor hums but does not start:

- Pump blocked by foreign object.
 - Clean pump.

Pump does not pump properly:

- Delivery head too high.
 - Observe max. delivery head (see "Technical Specifications").
- Discharge hose kinked.
 - Straighten discharge hose.
- Discharge hose leaky.
 - Seal discharge hose, tighten screw fittings.

Pump runs very noisily:

- Pump primes air.
 - Ensure there is a sufficient water supply.
 - Adjust float switch correctly.
 - Hold pump at an angle when submerging.

Pump runs continuously:

- Float switch does not reach lower position.
 - Make sure the float switch can move unrestricted.

9. Repairs



Danger!

Repairs to electric tools must only be carried out by a qualified electrician!

Electric tools in need of repair can be sent to an authorised service center in your country. See spare parts list for address.

Please attach a description of the fault to the electric tool.

10. Environmental Protection

The packaging of the pump can be 100 % recycled.

Worn out power tools and accessories contain considerable amounts of valuable raw and plastic materials, which can be recycled.

These instructions are printed on chlorine-free bleached paper.

11. Available Accessories

For this equipment the following accessories are available at specialist dealers.



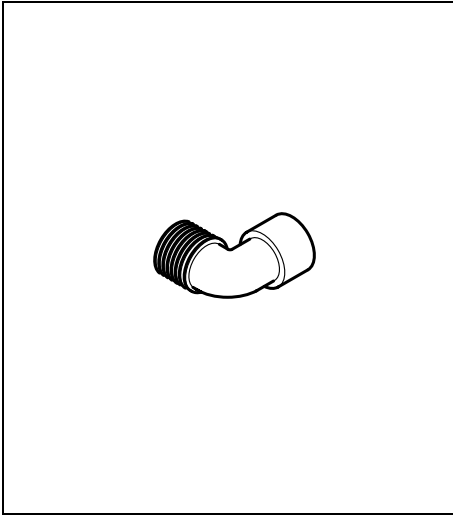
Note:

Illustrations and stock numbers can be found at the end of these instructions.

- A** Elbow
 Inlet port thread:
 1 1/4" male
 Discharge port thread:
 1" female + 1 1/4" male

12. Technical Specifications

Mains voltage	V	230 ~ 1
Frequency	Hz	50
Rated output	W	350
Rated current	A	1.5
Fuse protection min. (time-lag or L-type circuit breaker)	A	10
Running capacitor	µF	8
Rated speed	min ⁻¹	2800
Pump capacity max.	l/h	7000
Delivery head max.	m	7
Delivery pressure max.	bar	0.7
Immersion depth max.	m	5
Standing water max.	mm	15
Temperature of the primed medium max.	°C	35
Degree of protection		IP 68
Degree of protection		I
Insulation class		B
Materials Pump casing Pump shaft Impeller		Polypropylene Stainless steel Noryl
Power cable (HO 7 RN-F)	m	10
Discharge port		1 1/4 female
Dimensions (pump casing) Height Width Diameter	mm mm mm	260 180 130
Weight	kg	4.5
Max. length of extension cable at 3 x 1.0 mm ² lead cross-section at 3 x 1.5 mm ² lead cross-section	m m	60 100



A 090 305 3143

