

## RANGE COMPOSITION

The range consists of 5 sinks, with all-round apron panelling, 700, 1200 or 1400 mm in length, and with a single bowl.



LG1416SX-TAP

## HD SINGLE BOWL SINKS ON LEGS **ZANUSSI** PROFESSIONAL

### FUNCTIONAL AND CONSTRUCTION FEATURES

- ◆ Worktop in 12/10, 304 AISI stainless steel, 50 mm in thickness and with overflow rim along the top; the worktop has welded corners.
- ◆ Sink bowl in 304 AISI stainless steel, supplied as standard with an overflow pipe and a drain hole; the bowl is seam welded and polished, the base is inclined towards the drain outlets.

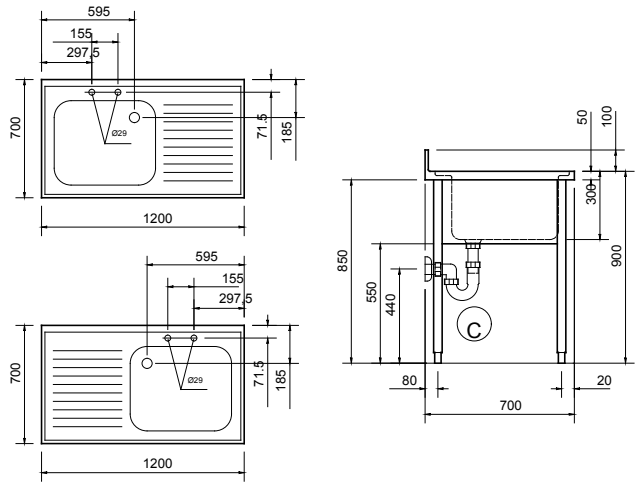
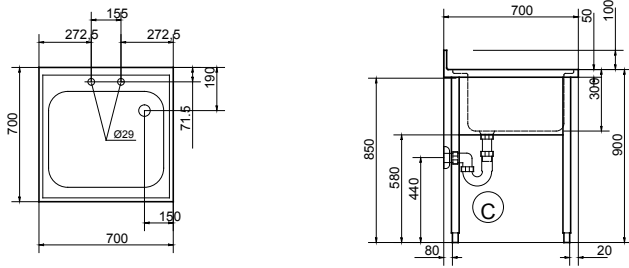
- ◆ Rear splashback with 10 mm rounded corner, 100 mm in height and 13 mm deep.
- ◆ Round section legs with 50 mm Dia. height-adjustable (-60 +10 mm) feet in 304 AISI stainless steel to guarantee perfect alignment with other food preparation equipment. For an easy installation (in case of external pipes or other connections) legs are mounted at 80 mm from the edge of table top. All-round apron panelling in 304 AISI stainless steel.
- ◆ Quick and easy installation as the Taps are easily installed from the rear.

- ◆ Accessories available on request: lower shelf, tap unit, false bowl bottom, overflow filter, single or double syphons.
- ◆ A 50 mm thick lower shelf, in 304 AISI stainless steel, can be easily slotted into position, 200 mm from the floor. The shelves are supplied in solid versions as standard, with louvered shelves supplied on request.
- ◆ All models comply with the more strict international standards as far as hygiene and cleanliness are concerned.

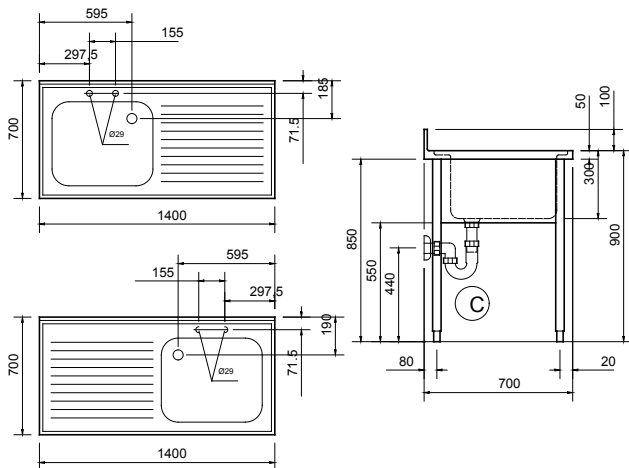
TECHNICAL DATA					
CHARACTERISTICS	MODELS				
	LG716 131447	LG1216DX 131449	LG1216SX 131450	LG1416DX 131452	LG1416SX 131453
External dimensions - mm					
width	700	1200	1200	1400	1400
depth	700	700	700	700	700
height	900	900	900	900	900
Worktop thickness - mm	50	50	50	50	50
Upstand dimensions - mm					
height	100	100	100	100	100
depth	13	13	13	13	13
radius	R=10	R=10	R=10	R=10	R=10
Bowls - n.	1	1	1	1	1
Bowl dimensions (wxdxh) - mm	500x500xH300	600x500xH300	500x500xH300	600x500xH300	600x500xH300
Net weight - kg.	20	42	42	46	46

131447

131449, 131450



131452, 131453



## LEGEND

	LG716 131447	LG1216DX 131449	LG1216SX 131450	LG1416DX 131452	LG1416SX 131453
A - Hot water inlet	3/4"	3/4"	3/4"	3/4"	3/4"
B - Cold water inlet	3/4"	3/4"	3/4"	3/4"	3/4"
C - Water drain	2"	2"	2"	2"	2"

## OPTIONAL ACCESSORIES

ACCESSORIES	MODELS				
	LG716 131447	LG1216DX 131449	LG1216SX 131450	LG1416DX 131452	LG1416SX 131453
ELBOW OP.MIXER TAP+SPOUT-3/4"SINGLE HOLE	855322	855322	855322	855322	855322
ELBOW OP.TAP+SPRAY ARM+SPOUT-3/4" HOLE	855324	855324	855324	855324	855324
FALSE BOTTOM FOR L/H 600X500 MM BOWL	895110	895110		895110	
FALSE BOTTOM FOR R/H 600X500 MM BOWL			895100		895100
FOOT OP.MIXER TAP(HOT+COLD)+SPOUT-3/4"	855328	855328	855328	855328	855328
LOWER SHELF FOR 1200 MM UNITS		855021	855021		
LOWER SHELF FOR 1400 MM UNITS				855023	855023
LOWER SHELF FOR 700 MM UNITS	854004				
MAXIREEL-RETRACTABLE HOSE SPRAY UNIT 10M	855320	855320	855320	855320	855320
MAXIREEL-RETRACTABLE HOSE SPRAY UNIT 15M	855321	855321	855321	855321	855321
MAXIREEL-RETRACTABLE HOSE SPRAY UNIT 6M	855327	855327	855327	855327	855327
MIXER TAP W/FOOT PEDAL FOR SINKS ON LEGS	855317	855317	855317	855317	855317
MIXER TAP WITH SPOUT 3/4" SINGLE HOLE	855319	855319	855319	855319	855319
MIXER TAP(PREMIUM)+SPRAY ARM-3/4" HOLE	855326	855326	855326	855326	855326
MIXER TAP+SPRAY ARM+SPOUT-3/4" SING.HOLE	855329	855329	855329	855329	855329
OVERFLOW FILTER FOR 600X500 MM BOWL	895135	895135	895135	895135	895135
PRE-WASH SPRAY UNIT,SINGLE HOLE	855315	855315	855315	855315	855315
SINGLE BRASS SYPHON 2"	895314	895314	895314	895314	895314
SINGLE PLASTIC SYPHON 2"	895313	895313	895313	895313	895313
WALL MIX.TAP+SPRAY+SPOUT+SH.LEVER+THERM	855307	855307	855307	855307	855307
WALL MIXER TAP WITH SWIVEL SPOUT 3/4"	855310	855310	855310	855310	855310



www.zanussiprofessional.com