

500
500-WF
501
501-WF

510-WF

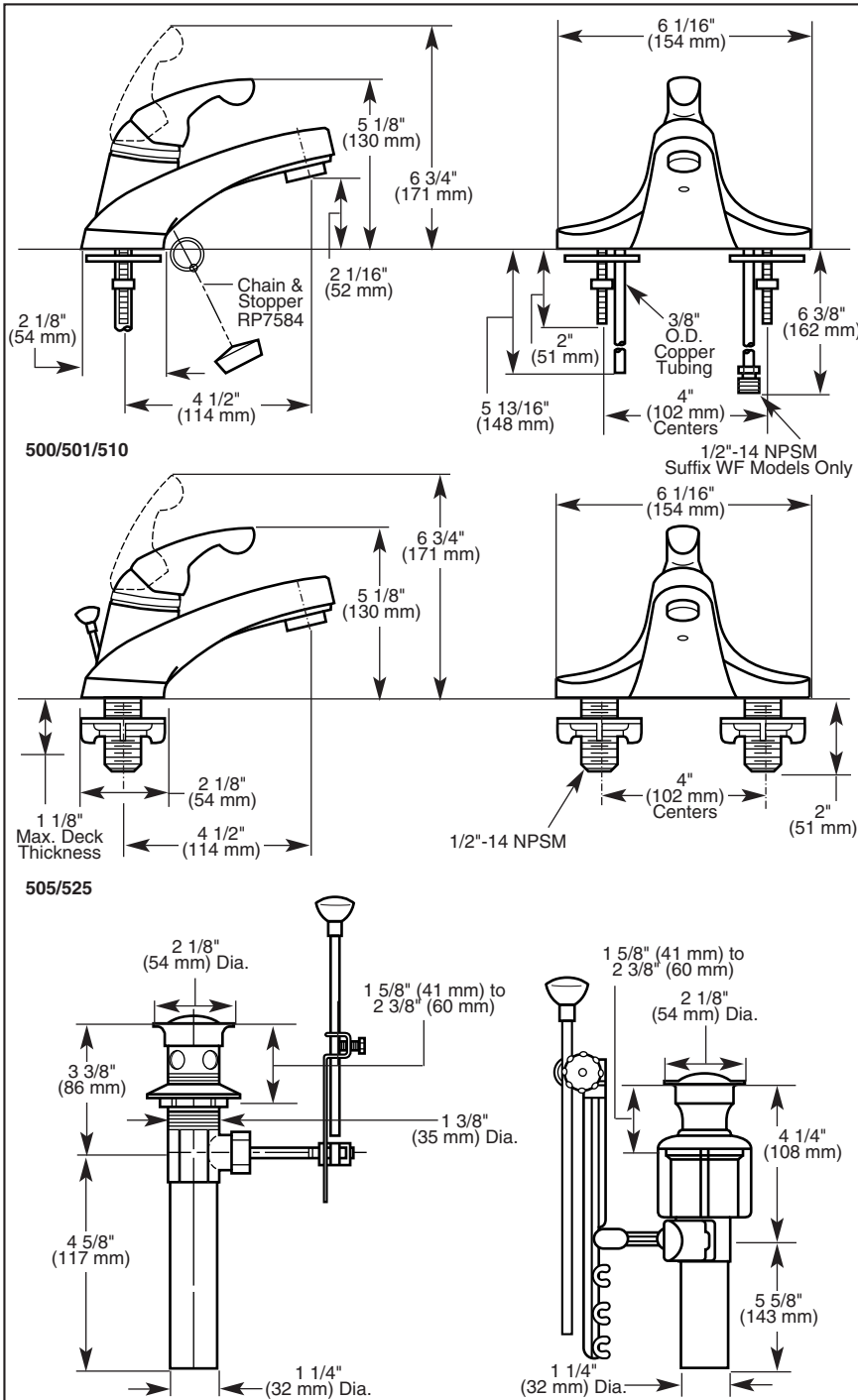
520
520-MPU
520-WF
520-WFMPU

505

525-MPU

Submitted Model No.: _____

Specific Features: _____



LAVATORY FAUCETS

- Classic Series
- Single Handle Deck Mount
- 2 and 3 Hole Sink Applications
- 4" Centerset

STANDARD SPECIFICATIONS:

- Solid brass fabricated body.
- 4" (102 mm) centerset.
- 4 1/2" (114 mm) long spout.
- Lever handle. Control mechanism is the rotating stainless steel ball type with replaceable non-metallic seats operating in stainless steel line sockets.
- Control handle shall return to neutral position when valve is turned off.
- Models 500, 501 and 510 and 520 Series supplied with 3/8" O.D. copper supply tubes.
- Models with suffix "WF" supplied with 1/2"-14 NPSM adapters.
- Models 505 and 525 Series supplied with 1/2"-14 NPSM threaded male inlet shanks.
- Model 510 series supplied with chain and drain stopper.
- Models 520 and 520-WF with Snap-N-Pop-Up® drain have polypropylene pop-up type fitting with plated flange and stopper.
- Models with suffix "MPU" have metal drain with pop-up type fitting with plated flange and stopper.
- Maximum flow rate 1.5 gpm @ 60 PSI.

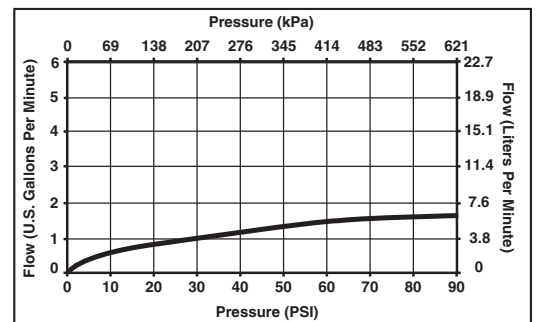
WARRANTY

- Lifetime Faucet and Finish Limited Warranty to the original consumer purchaser to be free from defects in material and workmanship.
- 5 Year Limited Warranty for usage in all industrial, commercial and business applications.



COMPLIES WITH:

- ASME A112.18.1 / CSA B125.1
- ASME A112.18.2 / CSA B125.2
- Indicates compliance to ICC/ANSI A117.1
- EPA Water Sense
- ASTM F409 (for non-metallic drain)



55 E 111th Street, Indianapolis, Indiana 46280
395 Matheson Blvd. E., Mississauga, ON L4Z 2H2
© 2008 Masco Corporation of Indiana

Delta reserves the right (1) to make changes in specifications and materials, and (2) to change or discontinue models, both without notice or obligation. Dimensions are for reference only. See current full-line price book or www.specselect.com for finish options and product availability.
DSP-L-500 Rev. C