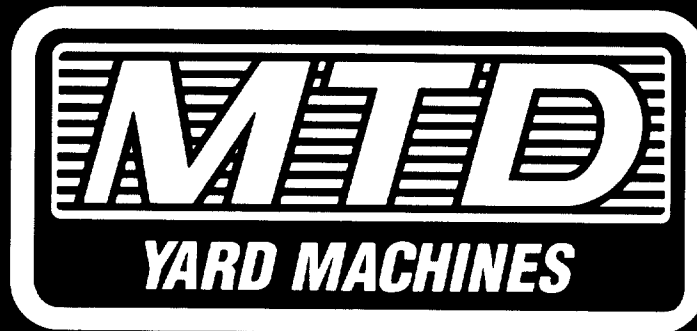


# ILLUSTRATED PARTS



OUTDOOR POWER EQUIPMENT



1997

## LEAF BLOWERS

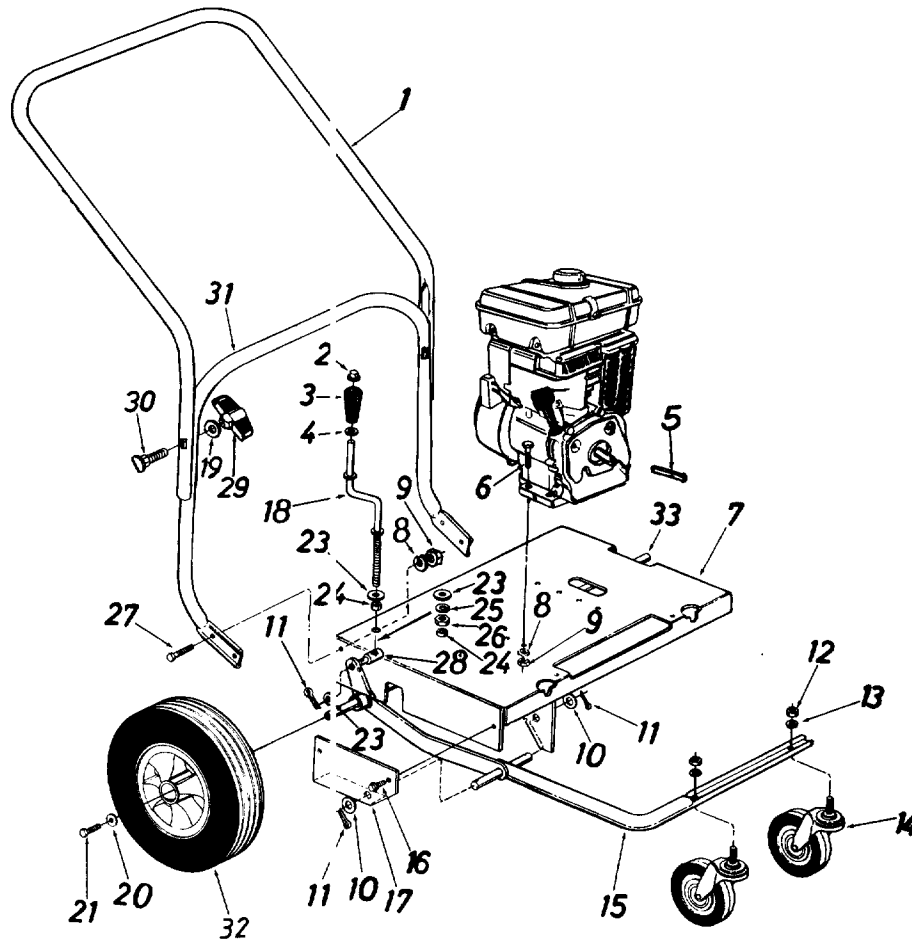
Model Number	Pages
247-652C000 .....	2, 3
247-655A000 .....	2, 3
290-204-000 .....	4
290-210-000 .....	4

MTD PRODUCTS INC • P.O. BOX 368022 • CLEVELAND, OHIO 44136-9722

PRINTED IN U.S.A.

FORM NO. 770-97-7D

# Models 652 and 655

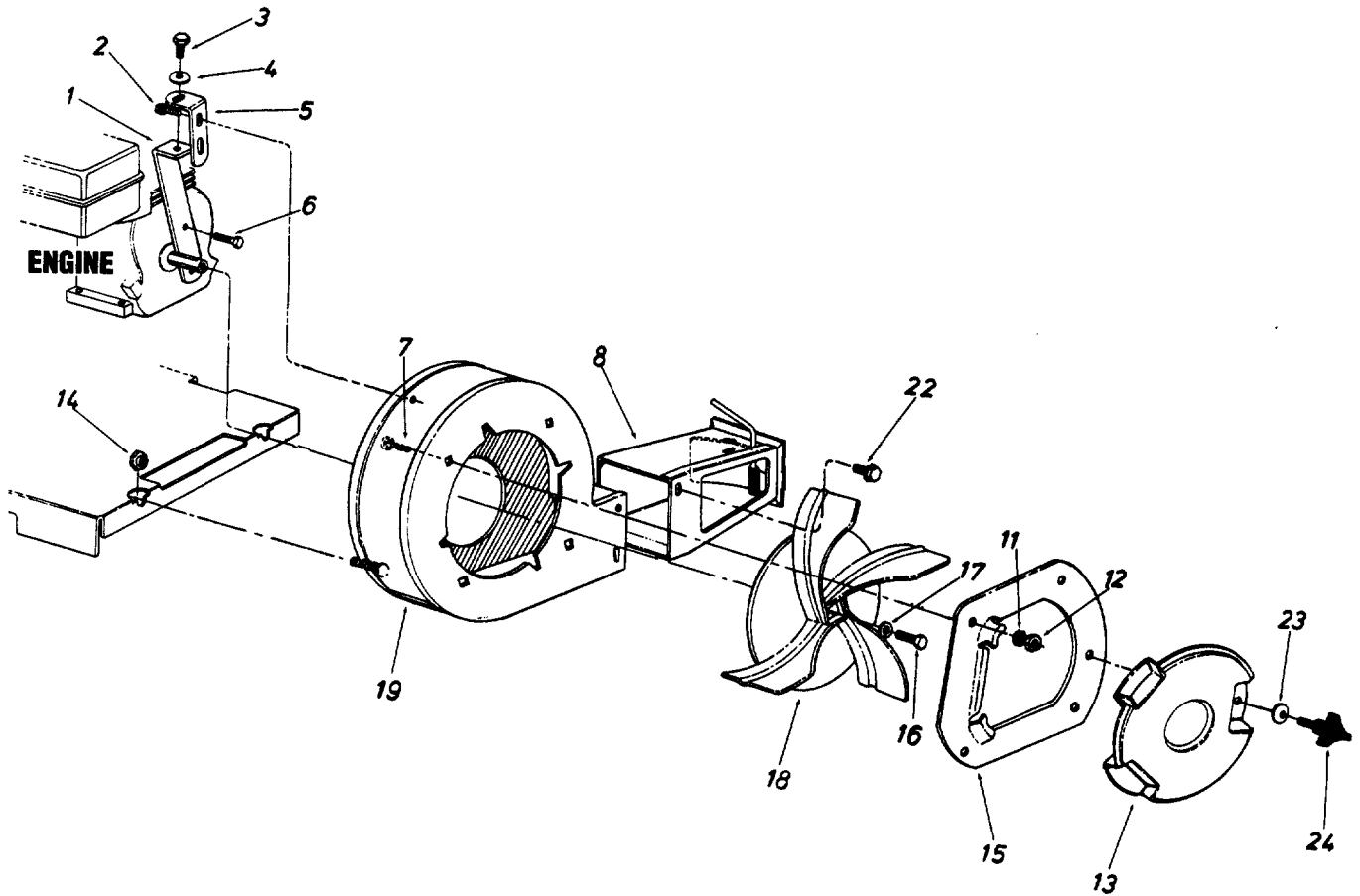


**PARTS LIST FOR MODELS 652 AND 655 LEAF BLOWERS**

REF. NO.	PART NO.	CODE	DESCRIPTION	REF. NO.	PART NO.	CODE	DESCRIPTION
1	749-0784		Upper Handle	17	14529		Caster Arm Bracket
2	726-0100		Push Nut 3/8" Rod	18	747-0542		Height Adjustment Crank
3	720-0171		Crank Knob	19	736-0451		Saddle Wash. .32" I.D. x .93"
4	736-0117		FI-Wash. .385" I.D. x .62"	20	736-0159		FI-Wash. .34" I.D. x .87" O.D.
5	714-0114		Sq. Key 1/4" x 2.0" Lg.*†	21	710-0170		Hex L-Bolt 5/16-24 x .64" Lg.
6	710-0442		Hex Bolt 5/16-18 x 1.50" Lg.*	23	736-0300		FI-Wash. .38" I.D. x .57"
7	16453		Engine Mounting Frame Ass'y.	24	750-0528		Spacer .382" I.D. x .50" x .180" Lg.
8	736-0119		L-Wash. 5/16" I.D.*	25	736-0169		L-Wash. 3/8" I.D.*
9	712-0267		Hex Nut 5/16-18 Thd.*	26	712-0354		Hex Nut 3/8-8 Thd.
10	736-0187		FI-Wash. .63" I.D. x 1.25"	27	710-0118		Hex Bolt 5/16-18 x .75" Lg.*
11	714-0115		Cotter Pin 1/8" Dia. x 1.0"	28	711-0797		Ferrule
12	712-0206		Hex Nut 1/2-13 Thd.*	29	720-0241		Hand Knob
13	736-0921		L-Wash. 1/2" I.D.*	30	710-1174		Carriage Bolt 5/16-18 x 2.0"
14	734-1036		Swivel Caster Wheel 5" Dia. x 1.25"	31	749-0785		Lower Handle
15	16273		Caster Arm Ass'y.	32	734-1035		Wheel Ass'y. Comp. 12" x 3"
16	710-0726		Hex Wash. Hd. "AB" Tap Scr. 5/16" x .75" Lg.	33	738-0185		Rear Axle

†Used with keyed engine crankshaft.

# Models 652 and 655



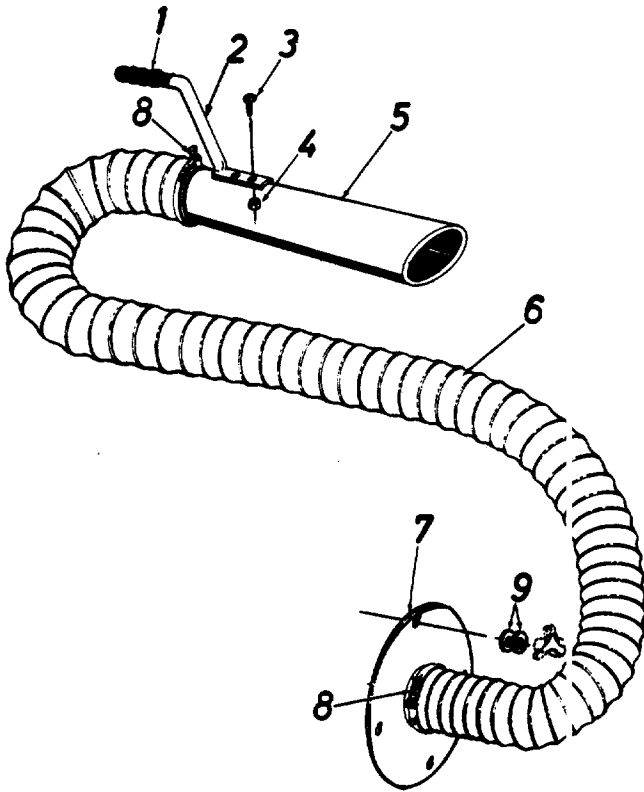
## PARTS LIST FOR MODELS 652 AND 655 LEAF BLOWERS

PART NO.	CODE	DESCRIPTION	REF. NO.	PART NO.	CODE	DESCRIPTION
14539		Engine Housing Brace Ass'y.	14	711-0758		Hex Shoulder Nut .50" I.D.
710-0600		Hex Self-Tap Scr. 5/16" x .5"	15	14563A		Nozzle Plate Ass'y.
710-0118		Hex Bolt 5/16-18 x .75" Lg.*	16	710-0191		Hex Bolt 3/8-24 x 1.25"†
736-0119		L-Wash. 5/16" I.D.*	17	736-0217		L-Wash. 3/8" I.D.-H.D.
14541		Right Angle Bracket	18	14536A		Air Vane Plate Ass'y.†
710-0627		Hex Locking Bolt 5/16-24 x .75"	19	14496A		Blower Housing Ass'y.-Comp.
710-0260		Carriage Bolt 5/16-18 x .62"	22	710-0259		Hex Sems Bolt 5/16-18 x .62" Lg.*
14479		Directional Discharge Ass'y.				Bell-Wash. .34" I.D. x .87" O.D.
736-0119		L-Wash. 5/16" I.D.*	23	736-0242		3-Arm Thumb Scr. 5/16-18 x .75" Lg.
712-3010		Hex Nut 5/16-18 Thd. (Gr. 5)	24	720-0170		
731-0608		Blower Guard				

†Used with keyed engine crankshaft.

## Hose Attachment Kit

**Model Number  
290-204-000**

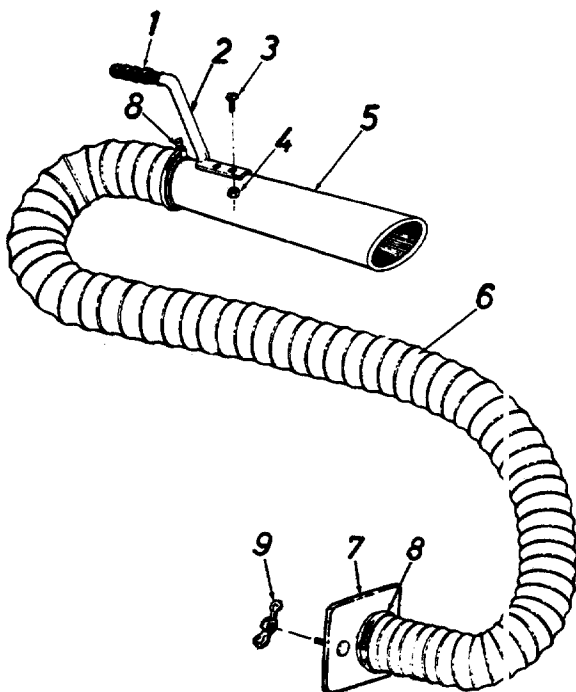


### PARTS LIST FOR KIT 290-204-000

REF. NO.	PART NO.	DESCRIPTION
1	07071	Handle Grip
2	12229A	Handle
3	710-0399	Truss Sems Scr. 10-24 x 1/2" Lg.*
4	712-0121	Hex Nut 10-24 Thd.*
5	731-0213	Hose Nozzle
6	723-0294	Flexible Hose 4" Dia. x 10' Lg.
7	14568	Hose Adapter
8	723-0295	Hose Clamp—For 4" Dia. Hose
9	736-0231	Flat Washer .34 I.D. x 1.12 O.D.
10	764-0199A	Bag (Optional)

## Hose Attachment Kit

**Model Number  
290-210-000**



### PARTS LIST FOR MODEL 290-210-000 HOSE KIT

REF. NO.	PART NO.	DESCRIPTION
1	07071	Handle Grip
2	12229A	Handle
3	710-0399	Truss Sems Scr. 10-24 x 1/2" Lg.*
4	712-0121	Hex Nut 10-24 Thd.*
5	731-0213	Hose Nozzle
6	723-0294	Flexible Hose 4" Dia. x 10'
7	15776	Hose Adapter Plate
8	723-0295	Hose Clamp—4"
9	712-0113	Wing Nut 1/4-20 Thd.