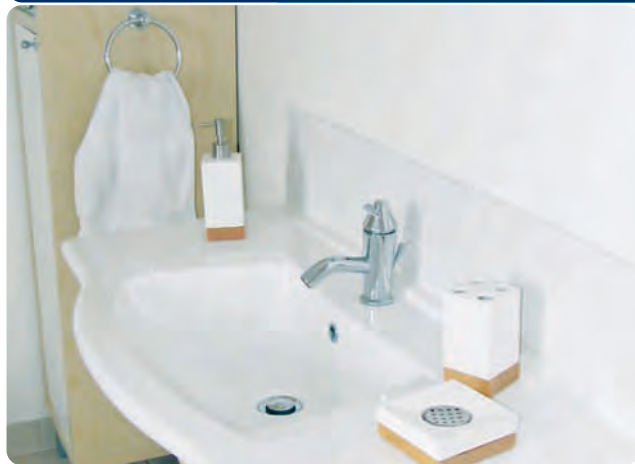


## Outline

Thermostatic integral control towel rails

Towel rails & bathroom warmers



“ Outline heated towel rails are of the popular ladder style and, with outputs of up to 750W, they provide background heating as well as warm dry towels. ”



### Technical Specification

- Element - cartridge type
- Control - digital electronic thermostat with boost facility
- Protection - thermal cut-out
- Supply - 230/240V AC single phase

### Key features

- 300W, 500W and 750W output rails
- High quality white or chrome finish
- Integral controls (Controls must be positioned outside of zones 0, 1 & 2)
- Digital electronic thermostat with range restriction and lock facility
- Pilot wire control compatible
- IP24 rated (splashproof)

### Integral control features



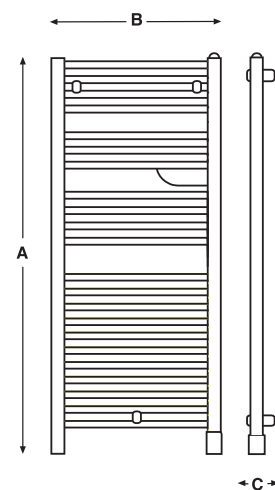
- Push button - On/off with neon indicator
- Rotary - Thermostat with frost protection setting
- Rotary - Variable boost - time set 15 minutes, 30 minutes, 1 hour or 2 hours

### Control options



Outline towel rails can be pilot wire linked to a flash controller as part of a complete heating system.

### Dimensions



### Product Selector

Model	Reference	Product Description	Rating	Height A	Width B	Depth C
OTRC300	75 772710	Outline 30 (chrome)	300W	855mm	550mm	85mm
OTRC500	75 772711	Outline 50 (chrome)	500W	1,300mm	550mm	85mm
OTRW500	75 772701	Outline 50 (white)	500W	815mm	550mm	85mm
OTRW750	75 772702	Outline 75 (white)	750W	1,225mm	550mm	85mm
PW E4ZC	75 770916	4 zone pilot wire central controller				



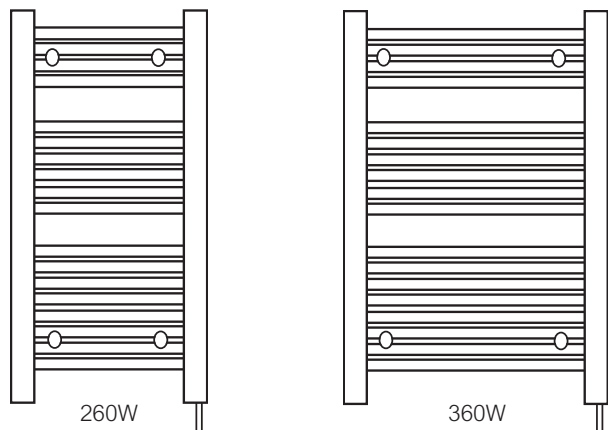
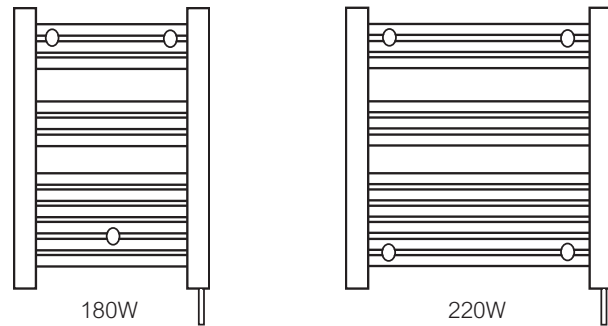
“ The new Proline II range of dry element ladder style towel rails provide much faster heat up than fluid filled models and are lighter and easier to install, with no chance of leaks. ”

Featuring a patented fast response technology and outstanding performance. Proline II towel rails are available in a choice of 16 models with chrome or white finishes and both and straight options.

**Key features**

- Fast response technology for a quicker warm up than conventional towel rails
- Provides more heat from a lower output so more energy efficient
- Even heat distribution - no cold spots
- Compact, slimline design
- Dry element technology - no leakage, no rusting
- Lightweight for faster, easier installation
- IPX4 rated (splashproof)

Four sizes each in white or chrome, straight or curved rails

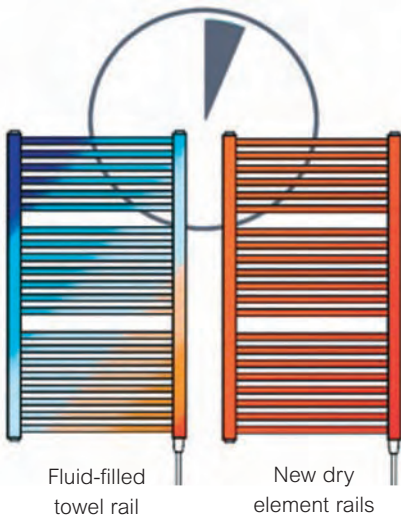


**Product Selector**

Model	Reference	Description	Rating	Height A	Width B	Depth C	Weight
<b>Straight rail models</b>							
PL180SW	75 774502	Straight white	180W	610mm	453mm	80mm	4.4kg
PL220SW	75 774503	Straight white	220W	610mm	602mm	80mm	7.9kg
PL260SW	75 774504	Straight white	260W	843mm	453mm	80mm	5.5kg
PL360SW	75 774505	Straight white	360W	843mm	602mm	80mm	9.5kg
PL180SC	75 774512	Straight chrome	180W	610mm	453mm	80mm	5.4kg
PL220SC	75 774513	Straight chrome	220W	610mm	602mm	80mm	7.9kg
PL260SC	75 774514	Straight chrome	260W	843mm	453mm	80mm	5.5kg
PL360SC	75 774515	Straight chrome	360W	843mm	602mm	80mm	9.5kg



**Fast even heat distribution in minutes**



**Control Options**



RFRTK7 RF remote thermostat and programmer kit.

Enables thermostatic and time control using wireless signalling between the remote wall mounted thermostat and the receiver unit at the appliance (Also available thermostat kit only see page 21).



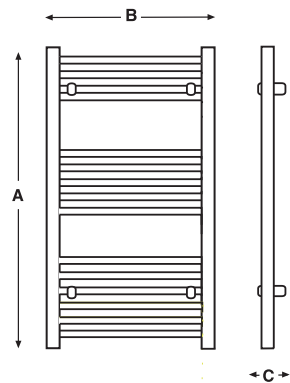
PW E16A Pilot wire auxiliary interface unit

Enables heaters without electronic controls to be central programmed, for on/off time periods only, as part of a pilot wire linked heating system (see page 20).

**Technical Specification**

- Element - silicone coated dry element type
- Control - cycling cutout
- Protection - Two auto re-set temperature limiters
- Supply - 230/240V AC single phase

**Dimensions**



**Product Selector**

Model	Reference	Description	Rating	Height A	Width B	Depth C	Weight
<b>Curved rail models</b>							
PL180CW	75 774552	Curved white	180W	610mm	453mm	90-100mm	4.4kg
PL220CW	75 774553	Curved white	220W	610mm	602mm	90-100mm	7.9kg
PL260CW	75 774554	Curved white	260W	843mm	454mm	90-100mm	5.5kg
PL360CW	75 774555	Curved white	360W	843mm	602mm	90-100mm	9.5kg
PL180CC	75 774562	Curved chrome	180W	610mm	453mm	90-100mm	4.4kg
PL220CC	75 774563	Curved chrome	220W	610mm	602mm	90-100mm	7.9kg
PL260CC	75 774564	Curved chrome	260W	843mm	453mm	90-100mm	5.5kg
PL360CC	75 774565	Curved chrome	360W	843mm	602mm	90-100mm	9.5kg
<b>RF Thermostat kits</b>							
RFRTK	75 770917	RF remote thermostat kit	2kW				
RFRTK7	75 770920	RF thermostat and programmer	2kW				
RFRI	75 770921	RF additional receiver unit only	2kW				
<b>Pilot wire interface unit</b>							
PW E16A	75 770915	Pilot wire auxiliary interface unit	3kW				



“ Classically styled towel rails that warm and dry towels. All models offer low energy use whilst maintaining superior heat output. ”

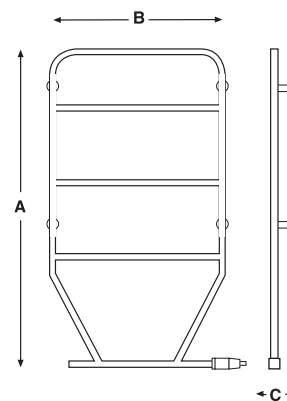
Permanently liquid filled for maintenance free operation the TD towel rail range offers chrome and white options, ideal for drying and airing small towels in areas such as kitchens, cloakrooms and ensuite bathrooms. The TD towel rail can be left switched on indefinitely with the low wattage cartridge element providing economical operation.



**Technical Specification**

- Element - cartridge type
- Cycling thermostat
- Protection - thermofuse
- Supply - 230/240V AC single phase

**Dimensions**



**Key features**

- 60W or 80W models
- Available in white or chrome finishes
- Oil filled for even heat transfer
- Mains neon indicator
- IPX4 rated (splashproof)
- Supplied with wall mounting brackets as standard
- Durable white stove enamel or chrome plated
- Can be mounted for left or right hand cable entry

**Control options**

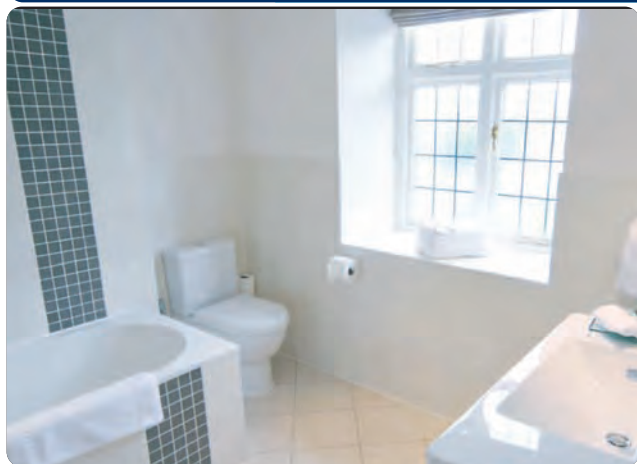


RFRTK RF remote thermostat kit.

Enables thermostatic control of electric towel rails using wireless signalling between the remote wall mounted thermostat and the receiver unit at the appliance. (see page 21).

**Product Selector**

Model	Reference	Product Description	Rating	Height A	Width B	Depth C
TD60W	75 774601	TD towel rail (white)	60W	616mm	533mm	93mm
TD60C	75 774611	TD towel rail (chrome)	60W	616mm	533mm	93mm
TD80W	75 774602	TD towel rail (white)	80W	851mm	533mm	93mm
TD80C	75 774612	TD towel rail (chrome)	80W	851mm	533mm	93mm
RFRTK	75 770917	RF remote thermostat kit	-	-	-	-



“ Solarail and LRC electric and dry element towel rails offer a choice of large surface area to ultra compact towel rails to satisfy all requirements. ”

#### Solarail dry element towel rails

Designed for towel drying in the bathroom, shower room or even kitchen areas, Solarails are compact enough to fit in the smallest of spaces.

#### Key features

- Dry element towel rails with a choice of 50W, 85W and 100W outputs
- Supplied with mains cable and mounting brackets for easy installation
- Finished in white or chrome
- IPX4 rated (splashproof)

#### LRC electric towel rails

A range of ladder style fluid-filled towel rails finished in chrome. All models offer low energy usage whilst maintaining superior heat output.

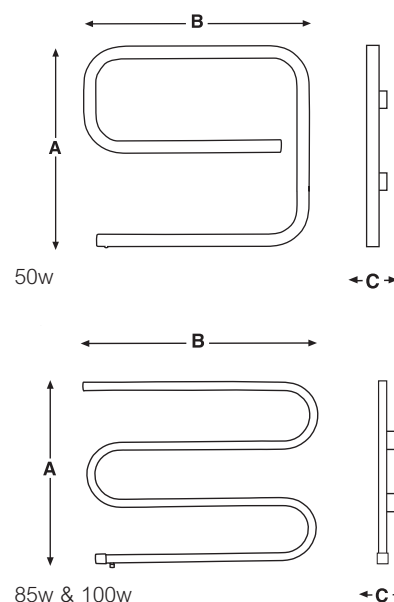
#### Key features

- Fluid filled for even heat distribution
- 22mm rail diameter
- Triple layer corrosion protection
- Unique styling complements a range of décor
- Maximises power distribution to optimise energy usage
- Highly polished finish
- High impact ABS support brackets
- IP55 rated (water jets)
- Easy to install - complete with fittings
- Designed for durability

#### Technical Specification

- Elements - cartridge type (LRC)
- Flexible cable type (Solarail)
- Cycling thermostat
- Protection - thermofuse
- Supply - 230/240V AC single phase

#### Dimensions



#### Product Selector

Model	Reference	Product Description	Rating	Height A	Width B	Depth C
LRC3	86060	Ladder Rail (chrome)	140W	1,000mm	500mm	110mm
LRC5	86080	Ladder Rail (chrome)	175W	1,200mm	600mm	155mm
CSR50W	51 805702	Solarail 50 (white)	50W	410mm	460mm	85mm
CSR50C	51 805701	Solarail 50 (chrome)	50W	410mm	460mm	85mm
CSR100W	51 805303	Solarail 100 (white)	100W	570mm	710mm	100mm
CSR85C	51 805314	Solarail 85 (chrome)	85W	570mm	710mm	100mm