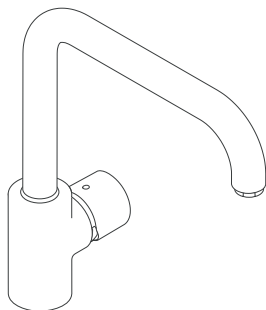
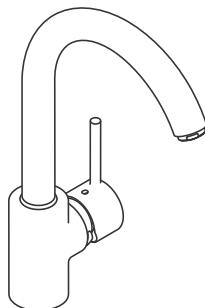


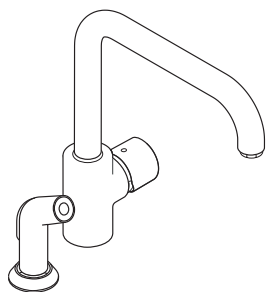
Installation Instructions / Warranty



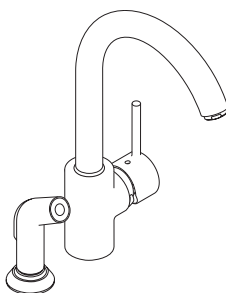
Uno
14850001



Puro
14870001



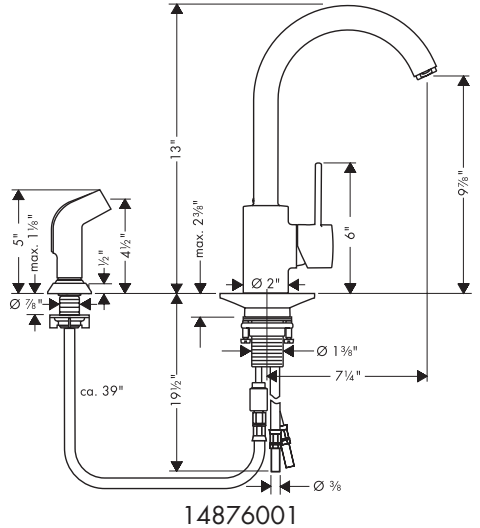
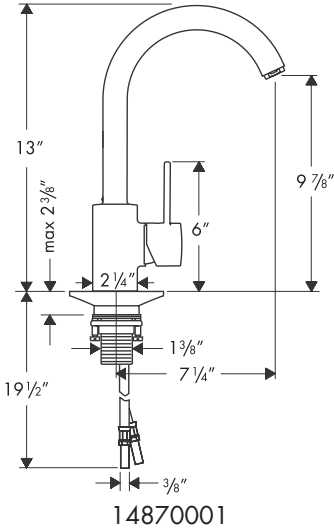
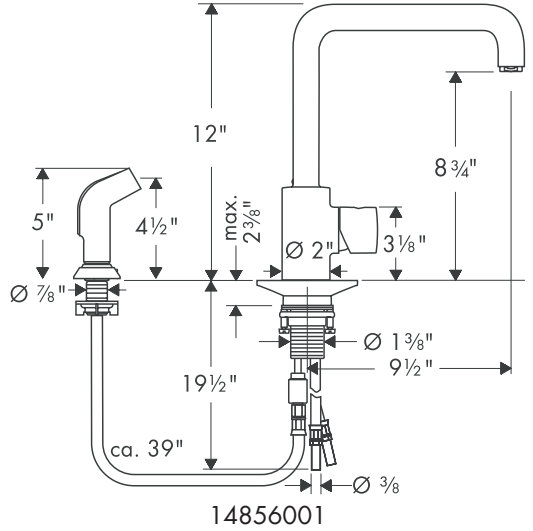
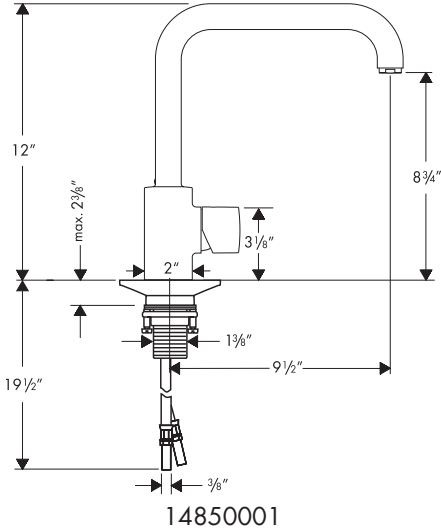
Uno
14856001



Puro
14876001

hansgrohe

Axor Uno Kitchen Mixer	14850001
Axor Uno Kitchen Mixer with Sidespray	14856001
Axor Puro Kitchen Mixer	14870001
Axor Puro Kitchen Mixer with Sidespray	14876001



Product Specification

Recommended water pressure 45 - 80 psi
Recommended hot water temp 120°F - 140°F*

Flow rate 2.2 gpm

Hole sizes

Faucet 1 1/2"

Sidespray 1"

Max. mounting surface thickness

Faucet 2 3/8"

Sidespray 1 1/8"

3/8" supply hoses – requires 3/8" compression fittings (not included)

Sidespray faucets include double check valve

*Please know and follow all applicable plumbing codes when setting the temperature on the water heater.

Installation Considerations

For best results, Hansgrohe recommends installation by a licensed, professional plumber.

Large differences in pressure between the hot and cold supplies should be balanced.

The supply lines should be flushed thoroughly of building debris before installing this faucet.

The supply hoses on this faucet require stops with 3/8" compression fittings (not included).

Install the faucet

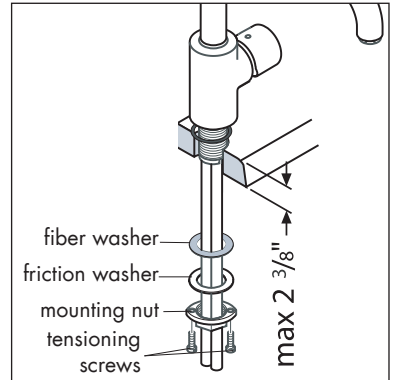
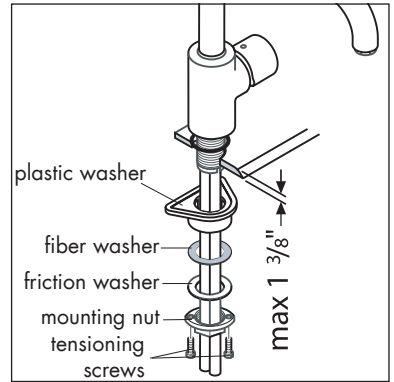
Remove the plastic washer, fiber washer, friction washer, and mounting nut from the faucet.

If the mounting surface is thicker than $1\frac{3}{8}$ " , or if there is insufficient space, discard the plastic washer.

From below the mounting surface, install the plastic washer (if using), fiber washer, and friction washer. Install the mounting nut, but do not tighten it completely.

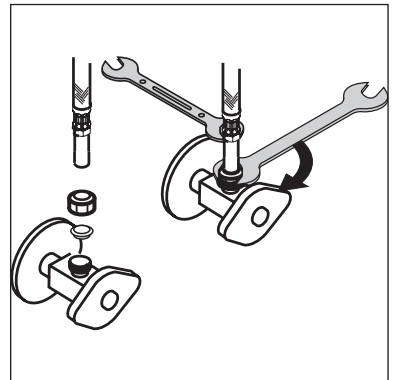
Inspect the placement of the faucet. Reposition if necessary.

When satisfied, finish tightening the mounting nut. Tighten the tensioning screws.



Connect the hoses to the stops using $\frac{3}{8}$ " compression fittings (not included). Use two wrenches, as shown in the diagram, to prevent the hoses from twisting or from becoming loosened from the faucet.

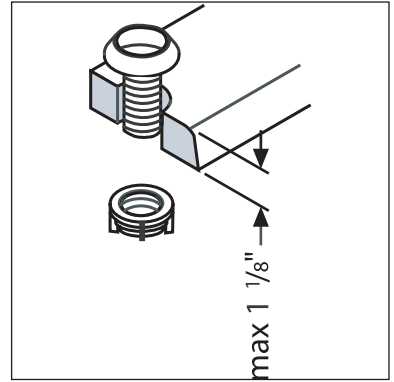
For proper operation of the faucet, the hot supply should be on the left, and the cold supply should be on the right.



Install the sidespray (sidespray models only)

Position the sidespray holder on the mounting surface.

Install and tighten the mounting nut.

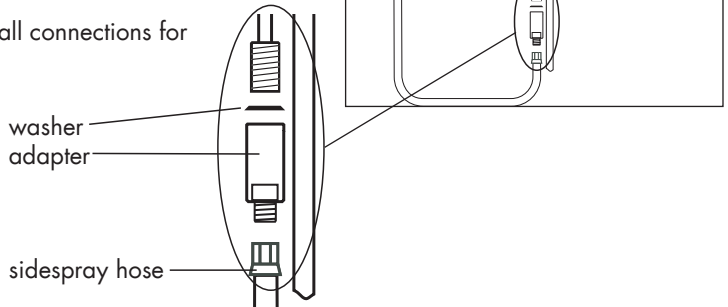


Thread the sidespray hose through the handspray holder. Sit the sidespray in the holder.

Install the double check valve adapter with washer on the sidespray connection on the faucet.

Connect the sidespray hose to the adapter. Hold the adapter firmly with one wrench while tightening the hose nut with a second wrench.

Turn on the water and check all connections for leaks.



User Instructions

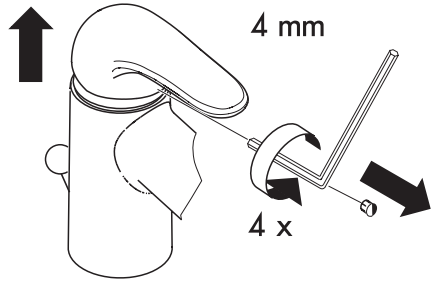
Pivot the handle out to turn the water on. Pivot it forward to make the water cooler, to the rear to make it warmer.

To use the sidespray, turn the water on. Pull the sidespray out of the holder. Press and hold the trigger on the back of the sidespray.

Water will still come from the spout when the sidespray is turned on.

Re-set the High Temperature Limit Stop (optional)

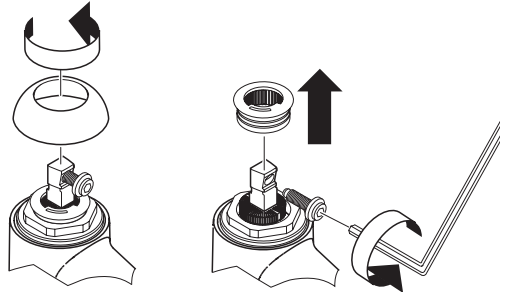
Close the drain OR cover it with a wash cloth.
Use the included 4 mm Allen wrench to push the screw cover into the handle. Retrieve the screw cover when the handle is removed.



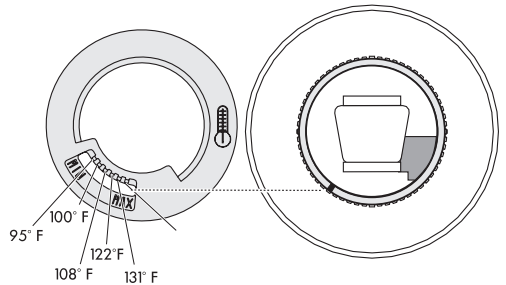
Use the 4mm Allen wrench to loosen the handle screw 4 complete revolutions. Remove the handle and put it in a safe place.

Remove the decorative nut cover and put it in a safe place.

Remove the handle screw from the stem of the cartridge. Remove the high temperature limit stop.



Replace the high temperature limit stop so that the pin on the cartridge is in the desired slot on the limit stop. **Note:** the temperatures given in the diagram assume a water heater temperature of 140° F, a cold water temperature of 50° F and a water pressure of 45 PSI.

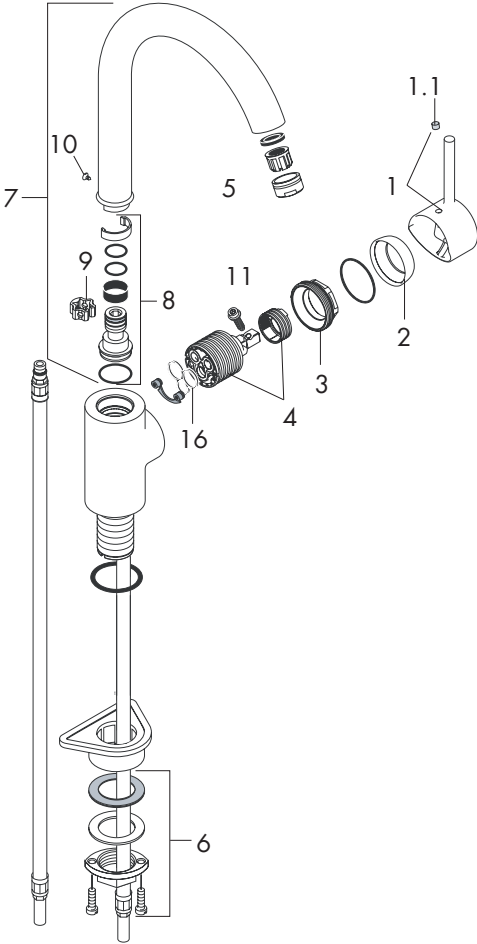


Replace the decorative nut cover. Replace the handle screw. Use the Allen wrench to turn the screw 4 revolutions.

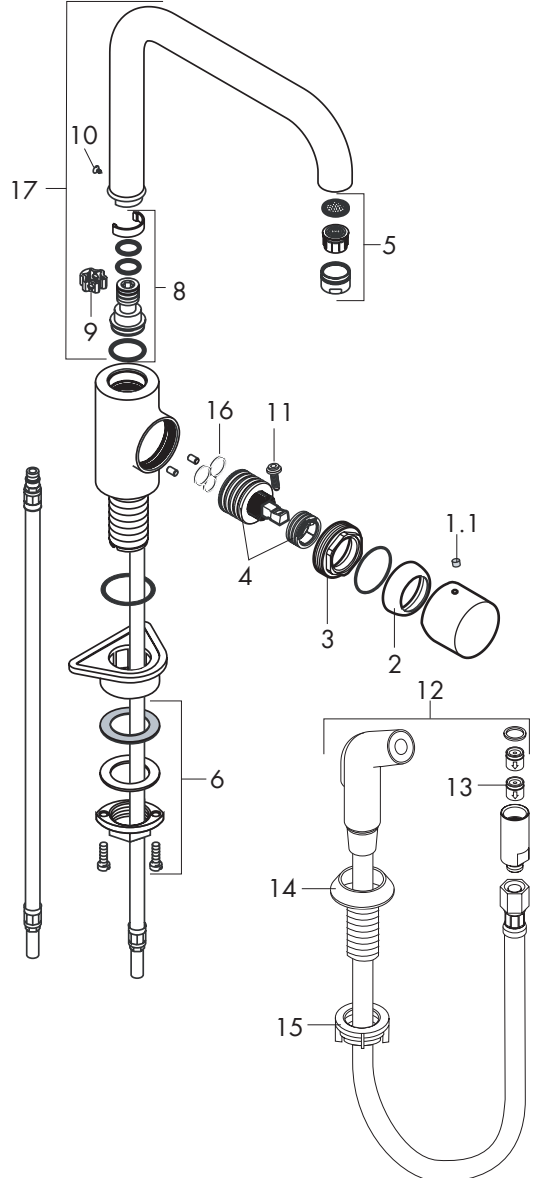
Replace the handle. Finish tightening the handle screw. Turn on the water and test the faucet.

Replacement Parts

14870001 / 14876001



14850001 / 14856001



Replacement Parts (continued from p. 7)

1	handle	10490000
1.1	screw cover	96338000
2	flange	96468000
3	nut	96461000
4	cartridge	92730000
5	aerator	13913000
6	fixing set	95049000
7	spout	92830000
8	sealing set	92646000
9	axial ring	97558000
10	screw	97662000
11	handle screw	96059000
12	handspray	06327000
13	check valve	94074000
14	flange	88504000
15	nut	88506000
16	seal	95008000
17	spout	96514000

Cleaning Recommendation for Hansgrohe Products

Modern sanitary faucetry and shower fixtures consist of very different materials to comply with the needs of the market with regard to design and functionality.

To avoid damage and returns, it is necessary to consider certain points when cleaning:

Cleaning materials for faucets and shower products:

Acids are necessary ingredients of cleaning materials for removing lime. However, please pay attention to the following points when cleaning faucets and shower products:

- Use only cleaning materials intended for the application.
- Never use cleaning materials which contain hydrochloric, formic, or phosphoric, or acetic acid, as these can cause considerable damage.
- Do not mix one cleaning material with another.
- Do not use abrasives, such as cleaning powders, sponge pads, or microfiber cloths.

Cleaning Instructions for Faucets and Shower Products:

Please follow the cleaning material manufacturer's instructions. In addition, please note the following:

- Clean your faucets and shower products as and when required.
- Follow the label instructions. Do not allow any cleaner to remain on the product for longer than necessary.
- Regular cleaning will prevent scale buildup and water spotting.
- When using spray cleaners, spray first onto a sponge or cloth. Do not spray directly onto the faucet or shower product as drops could enter openings or gaps and cause damage.
- After cleaning, rinse thoroughly with clear water to remove any cleaner residue.

Important

Residues of liquid soaps, shampoos, and shower foams can also cause damage, so rinse with clean water after using.

Please note:

- If the surface is already damaged, the effect of cleaning materials will cause further damage.
- Components with damaged surfaces must be replaced, otherwise, this could cause injury.
- Damage caused by improper treatment will not be covered by our warranty.

Limited Lifetime Consumer Warranty

This product has been manufactured and tested to the highest quality standards by Hansgrohe, Inc. ("Hansgrohe"). This warranty is limited to Hansgrohe products which are purchased by a consumer in the United States after March 1, 1996, and installed in either the United States or Canada.

WHO IS COVERED BY THE WARRANTY

This warranty extends to the original consumer purchaser only.

WHAT IS COVERED BY THE WARRANTY

This warranty covers only your Hansgrohe manufactured product. Hansgrohe warrants this product against defects in material or workmanship as follows: Hansgrohe will repair at no charge for parts only or, at its option, replace any product or part of the product which proves defective because of improper workmanship and/or material, under normal installation, use, service and maintenance. If Hansgrohe is unable to provide a replacement and repair is not practical or cannot be timely made, Hansgrohe may elect to refund the purchase price in exchange for the return of the product.

LENGTH OF WARRANTY

Replacement or repaired parts of products will be covered for the term of this warranty as stated in the following two sentences. If you are a consumer who purchased the product for use primarily for personal, family, or household purposes, this warranty extends for as long as you own the product and the home in which the product is installed. If you purchased the product for use primarily for any other purpose, including, without limitation, a commercial purpose, this warranty extends only (i) for 1 year, with respect to Interaktiv and Retroaktiv products, and (ii) for 5 years, with respect to AXOR, ShowerPower and Pharo products.

THIS WARRANTY DOES NOT COVER, AND HANSGROHE WILL NOT PAY FOR:

- A. Conditions, malfunctions or damage not resulting from defects in material or workmanship.
- B. Conditions, malfunctions or damage resulting from (1) improper installation, improper maintenance, misuse, abuse, negligence, accident or alteration, or (2) the use of abrasive or caustic cleaning agents or "no rinse" cleaning products, or the use of the product in any manner contrary to the product instructions.
- C. Labor or other expenses for the disconnection or return of the product for warranty service, or for installation or reinstallation of the product.
- D. Accessories or related products not manufactured by Hansgrohe.

TO OBTAIN WARRANTY SERVICE

Contact your Hansgrohe retailer, or write to Technical Service at:

Hansgrohe Inc.
1492 Bluegrass Lakes Parkway
Alpharetta GA 30004

Or, call Hansgrohe toll-free at (800) 334-0455.

In requesting warranty service, you will need to provide

- 1. The sales receipt or other evidence of the date and place of purchase.
- 2. A description of the problem.
- 3. Delivery of the product or the defective part, postage prepaid and carefully packed and insured, to Hansgrohe Inc. 1492 Bluegrass Lakes Parkway, Alpharetta, Georgia 30004, Attention: Technical Service, if required by Hansgrohe.

When warranty service is completed, any repaired or replacement product or part will be returned to you postage prepaid.

EXCLUSIONS AND LIMITATIONS

REPAIR OR REPLACEMENT (OR, IN LIMITED CIRCUMSTANCES, REFUND OF THE PURCHASE PRICE) AS PROVIDED UNDER THIS WARRANTY IS THE EXCLUSIVE REMEDY OF THE PURCHASER. HANSGROHE NEITHER ASSUMES NOR AUTHORIZES ANY PERSON TO CREATE FOR IT ANY OBLIGATION OR LIABILITY IN CONNECTION WITH THIS PRODUCT.

HANSGROHE SHALL NOT BE LIABLE TO PURCHASER OR ANY PERSON FOR ANY INCIDENTAL, SPECIAL, OR CONSEQUENTIAL DAMAGES, ARISING OUT OF BREACH OF THIS WARRANTY OR ANY IMPLIED WARRANTY (INCLUDING MERCHANTABILITY).

Some States do not allow the exclusion or limitation of incidental or consequential damages, so the above limitation or exclusion may not apply to you.

This warranty gives you specific legal rights, and you may have other rights which vary from State to State.

You may be required by law to give us a reasonable opportunity to correct or cure any failure to comply before you can bring any action in court against us under the Magnuson-Moss Warranty Act.

PRODUCT INSTRUCTIONS AND QUESTIONS

Upon purchase or prior to installation, please carefully inspect your Hansgrohe product for any damage or visible defect. Prior to installing, always carefully study the enclosed instructions on the proper installation and the care and maintenance of the product. If you have questions at any time about the use, installation, or performance of your Hansgrohe product, or this warranty, please call or write to us at the toll-free number and address printed above.

hansgrohe

Hansgrohe, Inc. • 1490 Bluegrass Lakes Parkway • Alpharetta, GA 30004
Tel. 770 360-9880 • Fax 770 360 9887

www.hansgrohe-USA.com