

Product Features

- Single control operation
- Ceramic cartridge with Boltic™ handle lock
- Spout swivels 360°
- Cascade no-clog aerator
- 2.2 gpm

Code Compliance

This unit meets or exceeds the following:

- ASME A112.18.1
- CSA B125.1
- Listed by IAPMO
- ADA compliant
- Approved for use in Massachusetts

Available Finishes

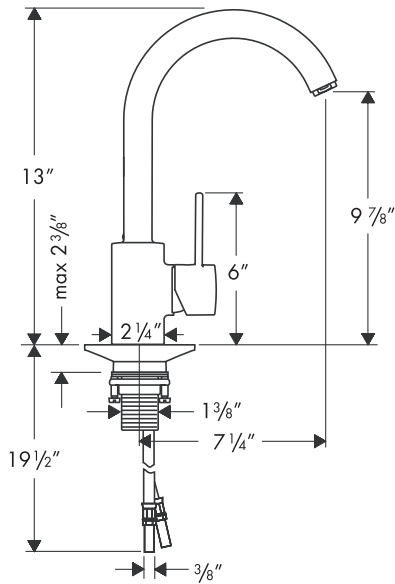
Chrome

14870001

Optional Accessories

10" baseplate

14019001



The measurements shown are for reference only.

Products and specifications shown are subject to change without notice.

Specification sheet revised 5/2008