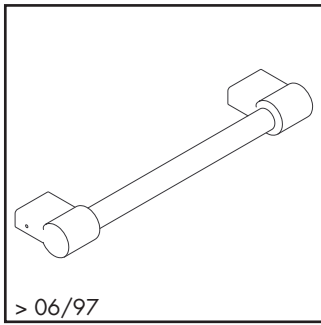
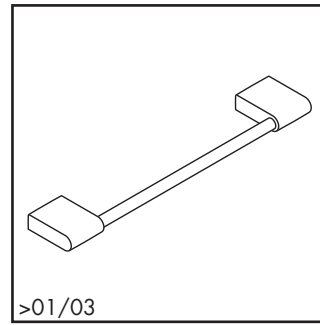


Axor Steel

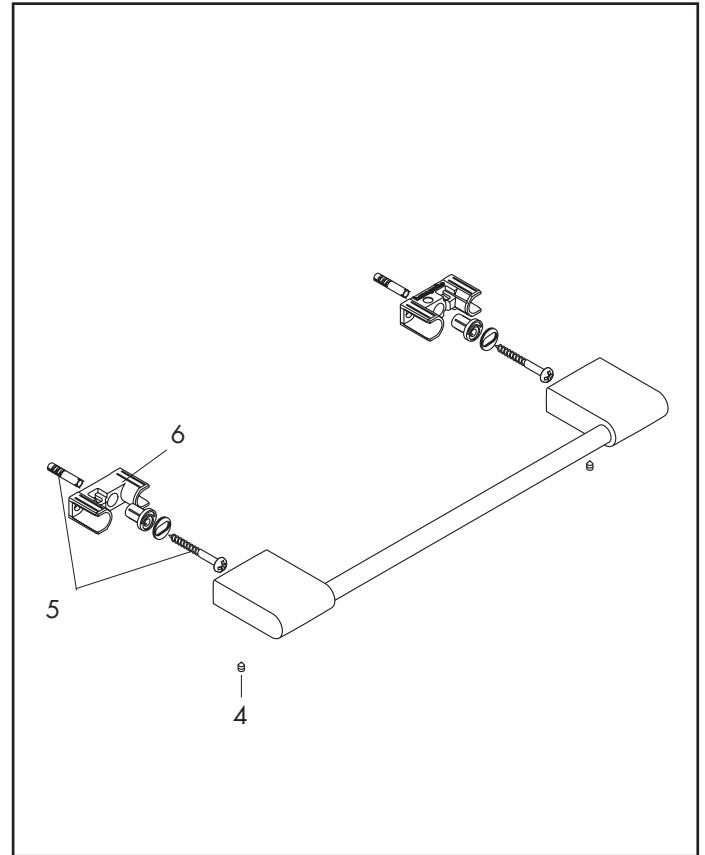
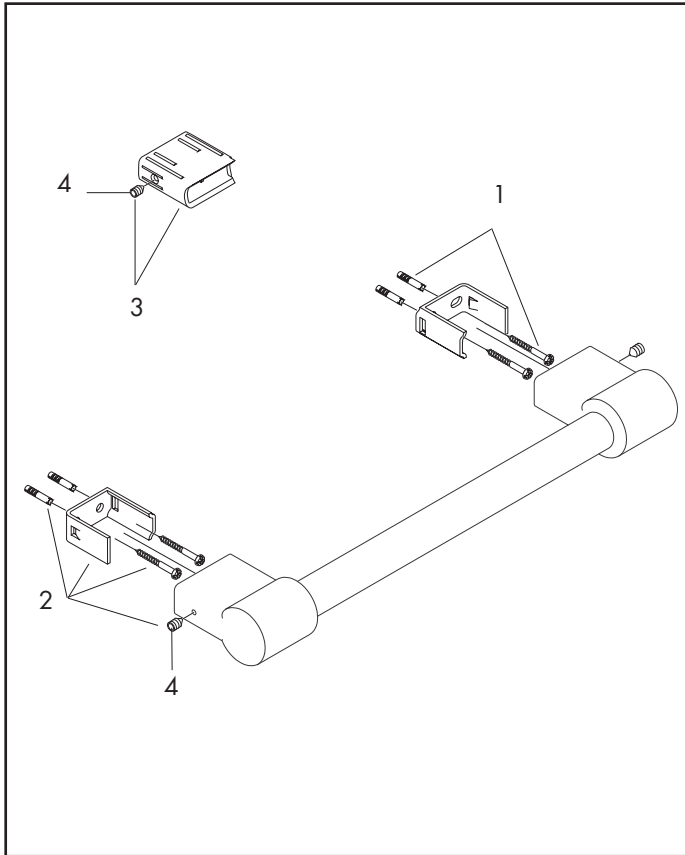
Towel bar / Porte-serviette / Toallero



41230800 / 41260800 / 41280800



41830800 / 41860800 / 41880800



Pos.	Description	Description	Denominación	Nr./Nr./Nº
1	mounting set	set de fixation	Set de Fijación	96179000
2	support element until 10/00	support < 10/00	Soporte < 10/00	95071000
3	support element after 10/00	support > 10/00	Soporte > 10/00	96437000
4	set screw M4x8	vis M4x8	Tornillo M4x8	97669000
5	mounting set	set de fixation.	Set de Fijación	40915000
6	support element	support	Soporte	96938000

XX = Please see page 11.1 for finish
 XX = Description des codes couleur page 11.1
 XX = Para el código de acabados ver página 11.1