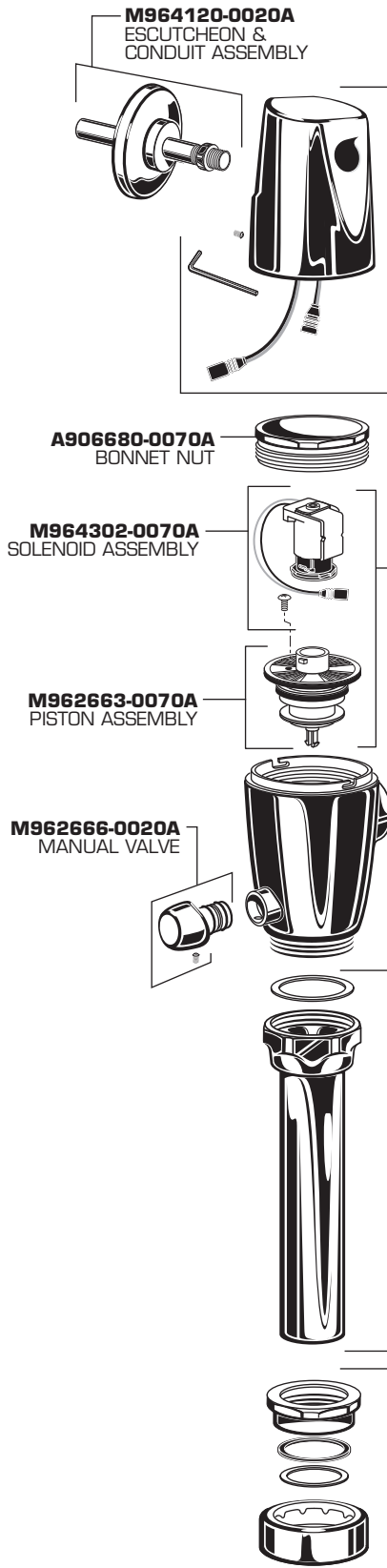
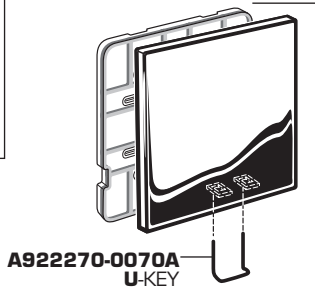


SELECTRONIC® HARD-WIRED AC POWERED PROXIMITY TOILET FLUSH VALVE 1.1, 1.28, 1.6, 1.6/1.1, & 1.28/1.1 PRODUCT NUMBERS

6067.111	6068.161
6067.721	6068.121
6067.761	6068.111
6067.121	6068.761
6067.161	6068.721

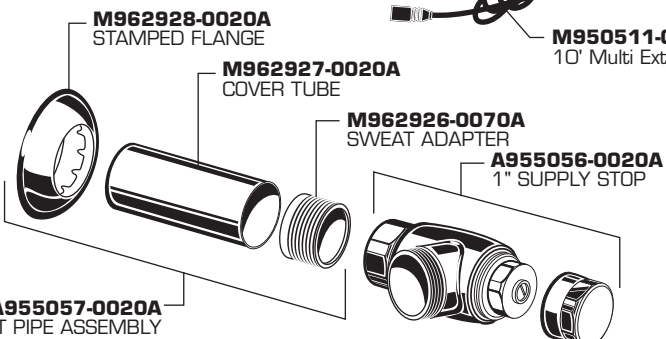


- M964107-0024000A**
COVER ASSEMBLY FOR FLUSH VALVE WITH 1.6/1.1 gpf
- M964107-0025000A**
COVER ASSEMBLY FOR FLUSH VALVE WITH 1.28/1.1 gpf
- M964107-0021600A**
COVER ASSEMBLY FOR FLUSH VALVE WITH 1.6 gpf
- M964107-0021280A**
COVER ASSEMBLY FOR FLUSH VALVE WITH 1.28 gpf
- M964107-0021100A**
COVER ASSEMBLY FOR FLUSH VALVE WITH 1.1 gpf



- M964312-0070A**
SOLENOID & PISTON SUBASSEMBLY

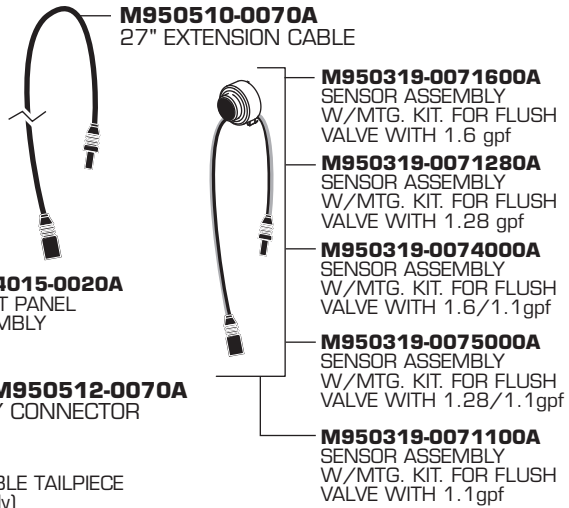
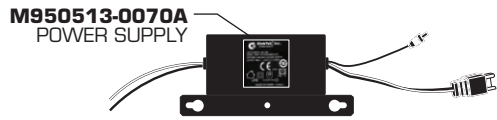
- OPTIONAL ADJUSTABLE TAILPIECE (Purchased Separately)
- M962836-0020A** (8-1/4" to 9-1/4" Rough-in)
- M962835-0020A** (7-1/4" to 8-1/4" Rough-in)
- M962834-0020A** (6-1/4" to 7-1/4" Rough-in)
- M962833-0020A** (5-1/4" to 6-1/4" Rough-in)
- M962920-0020A**
ADJUSTABLE TAILPIECE (4-1/4" to 5-1/4" Rough-in)



- A955057-0020A**
INLET PIPE ASSEMBLY

- A955054-0020A**
1" VACUUM BREAKER

- M964059-0020A**
CAP (40mm TREAD)



HOT LINE FOR HELP
For toll-free information and answers to your questions, call:
1 (800) 442-1902
Weekdays 8:00 a.m. to 6:00 p.m. EST
IN MEXICO 01-800-839-12-00
IN CANADA 1-800-387-0369 (TORONTO 1-905-306-1093)
Weekdays 8:00 a.m. to 7:00 p.m. EST

Product names listed herein are trademarks of AS America, Inc.
© American Standard Inc. 2012