

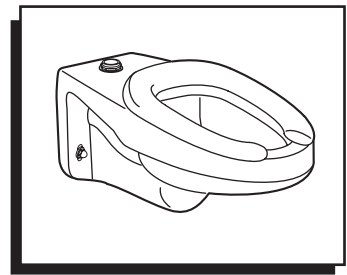
INSTALLATION INSTRUCTIONS

AFWALL FLUSH VALVE

WALL-MOUNTED TOILETS

Model 3351, 3352, 3353, 3354

 Meets the American Disabilities Act Guidelines and ANSI A117.1 Requirements for the Physically Challenged



Thank you for selecting American Standard – the benchmark of fine quality for over 100 years. To ensure this product is installed properly, please read these instructions carefully before you begin. (Certain installations may require professional help.) Also be sure your installation conforms to local codes.

▲ CAUTION: PRODUCT IS FRAGILE. TWO PEOPLE ARE RECOMMENDED FOR HANDLING TO AVOID BREAKAGE AND POSSIBLE INJURY!

NOTE: For proper operation product requires a minimum of 30 psi working line pressure

RECOMMENDED TOOLS AND MATERIALS

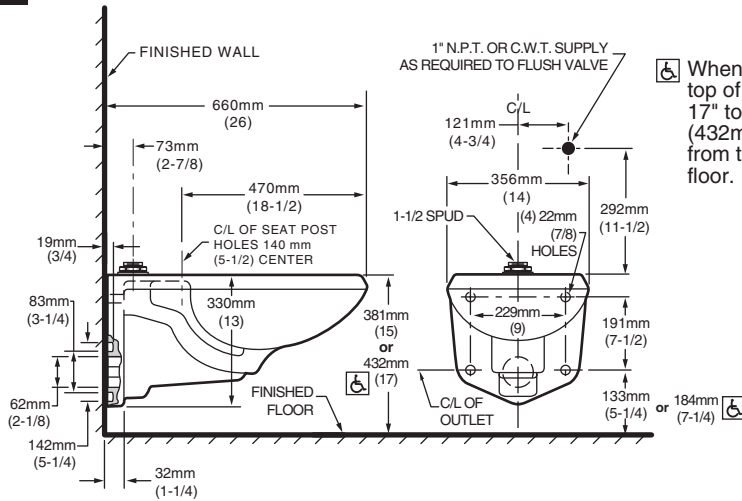
Closet Carrier Support
Putty Knife


Regular Screwdriver
Adjustable Wrench

Sealant
Tape Measure

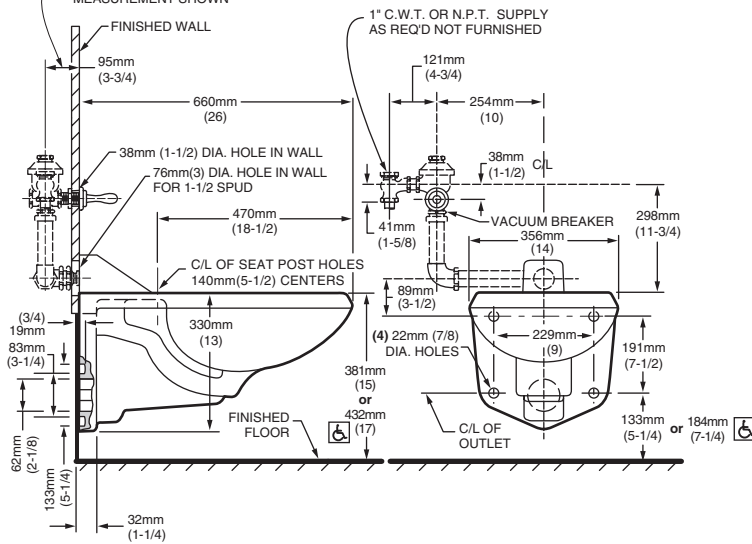
Carpenters Level
Flush Valve

1 Pictures may not exactly define contour of china



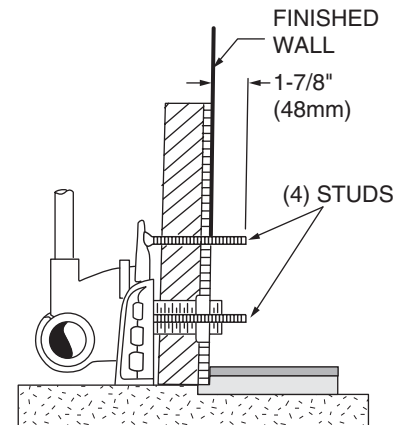
 When installed, top of seat is 17" to 19" (432mm to 483mm) from the finished floor.

FOR WALLS UP TO 1" IN THICKNESS FOR EACH INCH ADDITIONAL THICKNESS OF WALL ADD 25mm (1) TO MEASUREMENT SHOWN

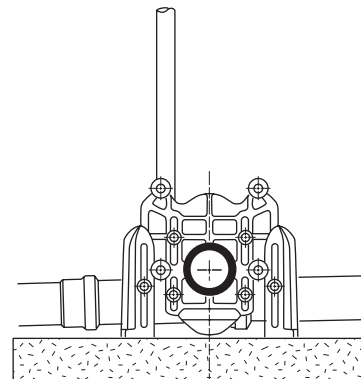


2 FIXTURE MOUNTING

Fixture studs should project 1-7/8" (48mm) from face of finished wall.



Side View



Front View

Refer to instructions supplied with wall carrier for proper installation of 4-bolt support system wall cavity requirements and rough-in information for waste outlet piping.

American Standard

Ideal Standard

Incesa Standard

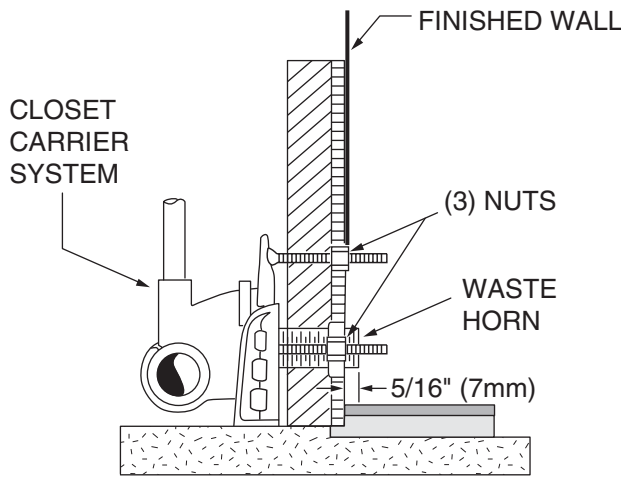
Sadona Standard

Cedelca

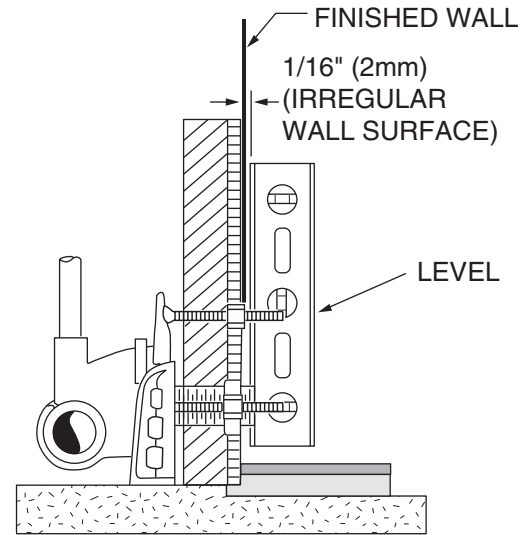
Saniwares

3

- Place back-up nuts on both bottom bolts, and the top left-hand bolt only.
- Adjust the two lower back-up nuts so that front face of nuts is flush with finished wall.
- Adjust waste horn to project 5/16" (7mm) from finished wall.

**4**

- Using a level, adjust the top left back-up nut so that it is in the same vertical plane as the lower left back-up nut. (If wall surface is irregular, the three back-up nuts must be positioned to allow a minimum 1/16" gap between fixture and wall surface.)

**5**

- **NOTE:** Bearing nuts and washers must be set to take full loading from the fixture allowing 1/16" (2mm) clearance between fixture and wall.
- Follow support manufacturer's recommended setting of closet outlet connection.
- Place felt or neoprene gasket (wax ring not recommended) on closet outlet.
- When the fixture is installed, closet outlet gasket must be compressed sufficiently to assure a gas and watertight seal.

The following steps require a helper:

- Install bowl on support using cap nuts and fiber washers with the back-up nuts and washers.
- DO NOT APPLY TOP RIGHT FIBER WASHER AND CAP NUT UNTIL OTHER CAP NUTS HAVE BEEN FIRMLY TIGHTENED USING A WRENCH.**
- Install top right cap nut with fiber washer and run up hand tight. Wrench tighten approximately 1/4 turn.
 - Apply sealant to gap between bowl and finished wall. Remove excess sealant.

AMERICAN-STANDARD ONE-YEAR LIMITED WARRANTY

If inspection of this American-Standard plumbing product, within one year after its initial installation, confirms that it is defective in materials or workmanship, American-Standard will repair or, at its option, exchange the product for a similar model.

This warranty **does not apply** to local building code compliance. Since local building codes vary considerably, the purchaser of this product should check with a local building or plumbing contractor to insure local code compliance before installation.

This warranty **shall be void** if the product has been moved from its initial place of installation; if it has been subjected to faulty maintenance, abuse, misuse, accident or other damage; if it was not installed in accordance with American-Standard's instructions; or if it has been modified in a manner inconsistent with the product as shipped by American-Standard.

American-Standard's option to repair or exchange the product under this warranty does not cover any labor or other costs of removal or installation, **nor shall American-Standard be responsible for any other incidental or consequential damages attributable to a product defect or to the repair or exchange of a defective product, all of which are expressly excluded from this warranty.** (Some states or provinces do not allow the exclusion or limitation of implied warranties, so this exclusion may not apply to you.)

This warranty gives you specific legal rights. You may have other statutory rights that vary from state to state or from province to province, in which case this warranty does not affect such statutory rights.

For service under this warranty, it is suggested that a claim be made through the contractor or dealer from or through whom the product was purchased, or that a service request (including a description of the product model and of the defect) be sent to the following address:

In the United States:
 American Standard Inc.
 P.O. Box 6820
 Piscataway, New Jersey 08855
 Attention: Director of Consumer Affairs

In Canada:
 American-Standard
 2480 Stanfield Road
 Mississauga, Ontario
 Canada L4Y 1S2

For residents of the United States, warranty information may also be obtained by calling the following toll free number: (800) 442-1902
www.americanstandard-us.com

Toll Free: (800) 387-0369
www.americanstandard.ca

In Mexico:
 Customer Service Manager
 Ideal Standard, S.A. de C.V.
 Via Morelos #330
 Col. Santa Clara
 Ecatepec 55540 Edo. Mexico
www.americanstandard.com.mx