



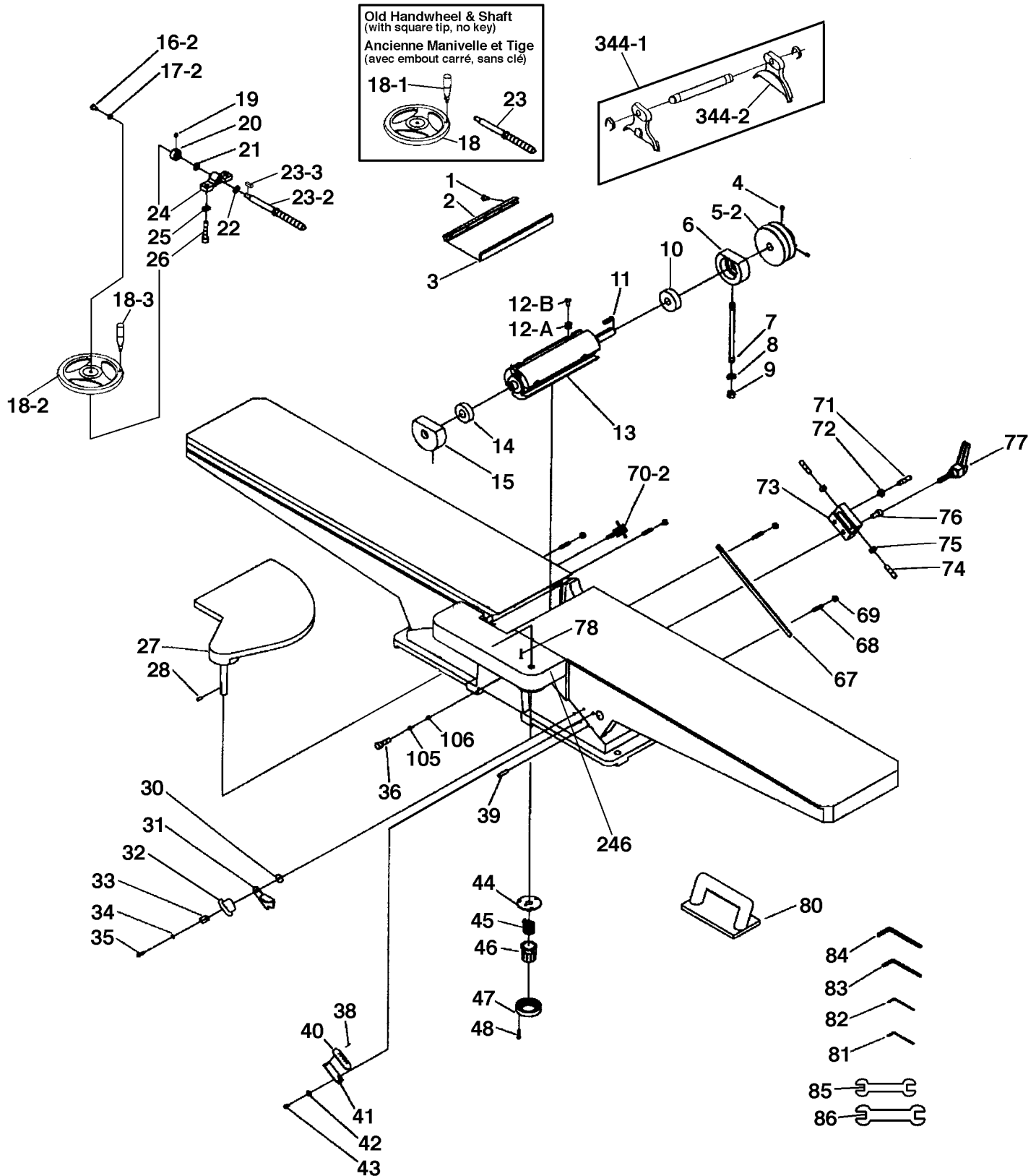
8" Jointer Dégauchisseuse 8"



Revised/Revisé 08/2008

Head Diagram / Diagramme de la Tête

KC-203C





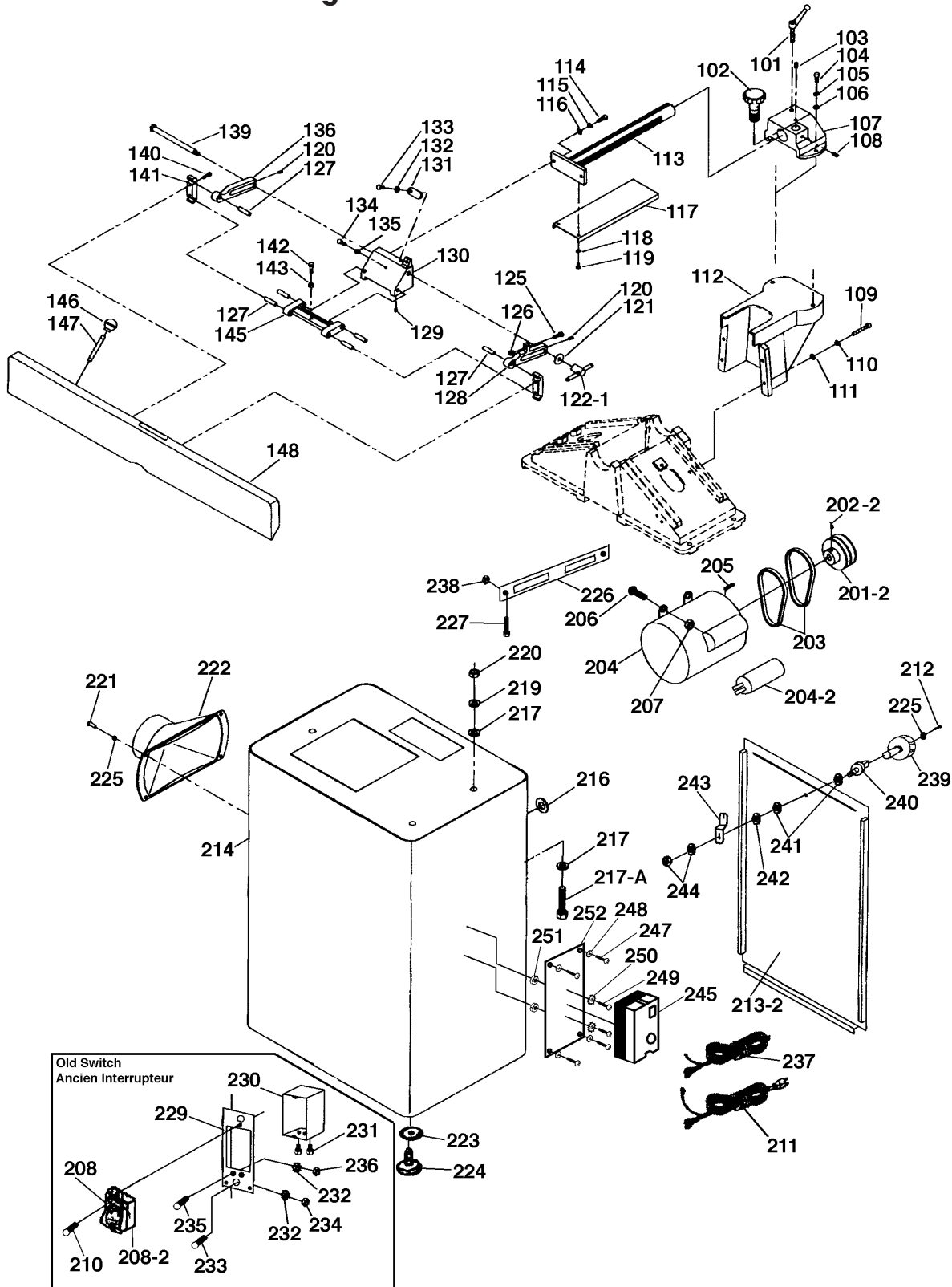
8" Jointer Dégauchisseuse 8"



Revised/Revisé 08/2008

Motor & Cabinet Diagram / Diagramme du Moteur et du Cabinet

KC-203C





Parts Pricing List / Liste de Prix des Pièces **KC-203C**

Diag.	Order # Com.	English Description	Description Française	Qty./Qté.	Price/Prix
1	4502030010	KNIFE BAR SCREW	BOULON DE VERROUILLAGE	15	\$2.13
2	4502030020	KNIFE LOCKING BAR	BARRE DE VERROUILLAGE	3	\$14.89
3	KKC-8	KNIFE (SET OF 3)	COUTEAU (JEU DE 3)	1	-
4	4502030040	SET SCREW	VIS SANS TETE	2	\$1.55
5-2	4502030052	CUTTERHEAD PULLEY (2 BELTS)	POULIE TETE DE COUPE (2 COUR.)	1	\$38.81
6	4502030060	BEARING HOUSING	BOITIER DU ROULEMENT	1	\$22.83
7	4502030070	LOCKING STUD	TIGE DE VERROUILLAGE	2	\$7.42
8	4502030080	SPRING WASHER	RONDELLE A RESSORT	2	\$1.55
9	4502030090	HEX. NUT	ECROU HEXAGONAL	2	\$1.73
10	4502030100	BALL BEARING	ROULEMENT A BILLES	1	\$22.94
11	4502030110	KEY	CLE DE RETENUE	1	\$2.13
12-A	4502030121	KNIFE LIFTER SLEEVE	BAGUE D'ELEVATION POUR COUTEAU	6	\$3.39
12-B	4502030122	POINTED SET SCREW	VIS SANS TETE POINTUE	6	\$2.24
13	4502030130	3 KNIFE CUTTERHEAD - JACK SCREW	TETE DE COUPE - 3 COUTEAUX	1	\$143.75
14	4502030140	BALL BEARING	ROULEMENT A BILLES	1	\$21.79
15	4502030150	BEARING SUPPORT	BOITIER DU ROULEMENT	1	\$21.79
16-2	4502030162	CAP SCREW	BOULON A TETE CYLINDRIQUE	2	\$1.73
17-2	4502030172	THICK WASHER	RONDELLE EPAISSE	2	\$2.59
18	4502030180	HANDWHEEL (OLD)	MANIVELLE (ANCIENNE)	2	\$34.33
18-1	4502030181	HANDLE (OLD)	POIGNEE (ANCIENNE)	2	\$12.25
18-2	4502030182	HANDWHEEL	MANIVELLE	2	\$37.55
18-3	4502030183	HANDLE	POIGNEE	2	\$12.25
19	4502030190	SET SCREW	VIS SANS TETE	2	\$1.67
20	4502030200	COLLAR BUSHING	COLLIER	2	\$5.00
21	4502030210	WAVE WASHER	RONDELLE ONDULEE	2	\$1.67
22	4502030220	BRASS WASHER	RONDELLE DE BRONZE	2	\$2.47
23	4502030230	SHAFT (SQUARE TIP, NO KEY)	TIGE (EMBOUT CARRÉ, SANS CLÉ)	2	\$32.60
23-2	4502030232	SHAFT (WITH KEY WAY)	TIGE (AVEC CHEMIN DE CLÉ)	2	\$34.44
23-3	4502030233	KEY	CLE DE RETENUE	2	\$1.78
24	4502030240	SHAFT BRACKET	SUPPORT DE TIGE	2	\$10.06
25	4502030250	SPRING WASHER	RONDELLE A RESSORT	4	\$1.55
26	4502030260	CAP SCREW	BOULON A TETE CYLINDRIQUE	4	\$2.24
27	4502030270	CUTTERHEAD GUARD	PROTECTEUR DE LA TETE DE COUPE	1	\$50.43
28	4502030280	SET SCREW	VIS SANS TETE	1	\$1.73
30	4502030300	WASHER	RONDELLE	1	\$1.61
31	4502030310	PLATE	PLAQUE	1	\$4.89
32	4502030320	SHOULDER SPACER	ESPACEUR A EPAULEMENT	1	\$2.70
33	4502030330	POINTER	INDICATEUR	1	\$2.82
34	4502030340	WASHER	RONDELLE	1	\$1.55
35	4502030350	PAN HD SCREW	VIS A TETE BOMBEE	1	\$1.67
36	4502030360	CAP SCREW	BOULON A TETE CYLINDRIQUE	2	\$2.01
38	4502030380	RIVET	RIVET	2	\$2.01
39	4502030390	PIN	GOUPILLE	1	\$2.13
40	4502030400	SCALE	EHELLE	1	\$3.39
41	4502030410	SCALE BRACKET	SUPPORT DE L'EHELLE	1	\$4.08
42	4502030420	WASHER	RONDELLE	2	\$1.55
43	4502030430	PAN HD SCREW	VIS A TETE BOMBEE	2	\$1.61

Pricing subject to change without prior notice. / Prix sujet à changement sans préavis.



Parts Pricing List / Liste de Prix des Pièces **KC-203C**

Diag.	Order # Com.	English Description	Description Française	Qty./Qté.	Price/Prix
44	4502030440	RETAINING WASHER	RONDELLE DE RETENUE	1	\$3.28
45	4502030450	SPRING	RESSORT	1	\$4.31
46	4502030460	CUP FOR SPRING	COUPE DU RESSORT	1	\$4.31
47	4502030470	RETAINER FOR CUP	SUPPORT DE LA COUPE	1	\$4.43
48	4502030480	PAN HD SCREW	VIS A TETE BOMBEE	3	\$1.73
67	4502030670	GIB	GLISSIERE	2	\$16.04
68	4502030680	SPECIAL SET SCREW	VIS SANS TETE SPECIALE	5	\$2.47
69	4502030690	HEX. NUT	ECROU HEXAGONAL	5	\$1.67
70-2	4502030702	T-SHAPED LOCK SCREW	BOULON EN "T" DE VERROUILLAGE	1	\$4.89
71	4502030710	STOP SCREW	VIS D'ARRET	1	\$3.05
72	4502030720	HEX. NUT	ECROU HEXAGONAL	1	\$1.61
73	4502030730	FIXING PLATE	PLAQUE DE FIXATION	1	\$7.99
74	4502030740	SET SCREW	VIS SANS TETE	2	\$2.01
75	4502030750	HEX. NUT	ECROU HEXAGONAL	2	\$1.61
76	4502030760	CAP SCREW	BOULON A TETE CYLINDRIQUE	2	\$2.01
77	4502030770	LOCKING HANDLE	POIGNEE DE VERROUILLAGE	1	\$9.14
78	4502030780	SPRING PIN	GOUPILLE A RESSORT	1	\$2.01
80	K-1400	PUSH BLOCK	BLOC POUSSOIR	1	-
81	4502030810	HEX. KEY (2.5MM)	CLE HEXAGONALE (2.5MM)	1	\$2.93
82	4502030820	HEX. KEY (3MM)	CLE HEXAGONALE (3MM)	1	\$2.59
83	4502030830	HEX. KEY (4MM)	CLE HEXAGONALE (4MM)	1	\$2.70
84	4502030840	HEX. KEY (6MM)	CLE HEXAGONALE (6MM)	1	\$2.93
85	4502030850	OPEN END WRENCH	CLE OUVERTE	1	\$4.43
86	4502030860	OPEN END WRENCH	CLE OUVERTE	1	\$4.54
101	4502031010	LOCKING HANDLE	POIGNEE DE VERROUILLAGE	1	\$10.75
102	4502031020	DRIVE HANDLE	POIGNEE D'OPERATION	1	\$22.83
103	4502031030	STUDDERED SET SCREW	VIS SANS TETE AVEC TIGE	1	\$3.16
104	4502031040	CAP SCREW	BOULON A TETE CYLINDRIQUE	2	\$1.84
105	4502031050	SPRING WASHER	RONDELLE A RESSORT	4	\$1.67
106	4502031060	WASHER	RONDELLE	4	\$1.55
107	4502031070	SLIDING RACK BRACKET	SUPPORT DE LA CREMAILLERE	1	\$45.71
108	4502031080	STUDDERED SET SCREW	VIS SANS TETE AVEC TIGE	1	\$3.16
109	4502031090	CAP SCREW	BOULON A TETE CYLINDRIQUE	4	\$2.24
110	4502031100	SPRING WASHER	RONDELLE A RESSORT	4	\$1.67
111	4502031110	WASHER	RONDELLE	4	\$1.55
112	4502031120	BRACKET	SUPPORT	1	\$86.19
113	4502031130	SLIDING RACK	CREMAILLERE COULISSANTE	1	\$44.68
114	4502031140	CAP SCREW	BOULON A TETE CYLINDRIQUE	2	\$1.90
115	4502031150	SPRING WASHER	RONDELLE A RESSORT	2	\$1.67
116	4502031160	WASHER	RONDELLE	2	\$1.55
117	4502031170	SLIDING RACK PLATE	PLAQUE DE LA CREMAILLERE	1	\$14.66
118	4502031180	SPRING WASHER	RONDELLE A RESSORT	2	\$1.55
119	4502031190	PAN HD SCREW	VIS A TETE BOMBEE	2	\$1.55
120	4502031200	SET SCREW	VIS SANS TETE	2	\$1.61
121	4502031210	WASHER	RONDELLE	1	\$2.13
122-1	4502031221	LOCKING HANDLE NUT	POIGNEE ECROU DE VERROUILLAGE	1	\$6.50
125	4502031250	HEX. BOLT	BOULON HEXAGONAL	1	\$1.67

Pricing subject to change without prior notice. / Prix sujet à changement sans préavis.



Parts Pricing List / Liste de Prix des Pièces **KC-203C**

Diag.	Order # Com.	English Description	Description Française	Qty./Qté.	Price/Prix
126	4502031260	HEX. NUT	ECROU HEXAGONAL	1	\$1.61
127	4502031270	PIVOTING PIN	GOUPILLE DE PIVOTEMENT	6	\$3.16
128	4502031280	RIGHT SLIDING BRACKET	SUPPORT COULISSANT DROIT	1	\$16.04
129	4502031290	POINTED SET SCREW	VIS SANS TETE POINTUE	2	\$2.24
130	4502031300	FENCE BRACKET	SUPPORT DU GUIDE	1	\$41.34
131	4502031310	STOPPER	ARRET	1	\$3.05
132	4502031320	WASHER	RONDELLE	1	\$1.55
133	4502031330	SHOULDER HEX. BOLT	BOULON HEX. A EPAULEMENT	1	\$3.05
134	4502031340	HEX. BOLT	BOULON HEXAGONAL	1	\$1.84
135	4502031350	HEX. NUT	ECROU HEXAGONAL	1	\$1.61
136	4502031360	LEFT SLIDING BRACKET	SUPPORT COULISSANT GAUCHE	1	\$14.89
139	4502031390	SHOULDER BOLT	BOULON A EPAULEMENT	1	\$11.44
140	4502031400	CAP SCREW	BOULON A TETE CYLINDRIQUE	4	\$2.47
141	4502031410	RETAINING BRACKET	SUPPORT DE RETENUE	2	\$10.75
142	4502031420	HEX. BOLT	BOULON HEXAGONAL	1	\$1.84
143	4502031430	HEX. NUT	ECROU HEXAGONAL	1	\$1.61
145	4502031450	PIVOTING SUPPORT	SUPPORT DE PIVOTEMENT	1	\$20.53
146	4502031460	KNOB	BOUTON	2	\$3.39
147	4502031470	STUD	TIGE	2	\$5.35
148	4502031480	FENCE BODY	GUIDE D'APPUI	1	\$189.75
201-2	4502032012	MOTOR PULLEY (2 BELTS)	POULIE DU MOTEUR (2 COURROIES)	1	\$45.83
202-2	4502032020	SET SCREW	VIS SANS TETE	2	\$2.01
203	4502032030	V-BELT	COURROIE EN "V"	2	\$12.25
204	4502032040	MOTOR	MOTEUR	1	\$343.85
204-2	4502032042	STARTING CAPACITOR	CONDENSATEUR DE DEMARRAGE	1	\$39.04
205	4502032050	KEY	CLE DE RETENUE	1	\$2.01
206	4502032060	CARRIAGE BOLT	BOULON A CARROSSERIE	4	\$2.13
207	4502032070	HEX. NUT	ECROU HEXAGONAL	4	\$1.55
208	4502032080	PUSH SWITCH (4 PRONG)	INTERR. A POUSSOIRE (4 PATTES)	1	\$14.89
208-2	4502032082	SWITCH PLATE	PLAQUE DE L'INTERRUPTEUR	1	\$6.50
210	4502032100	TAPPING SCREW	VIS AUTOTARAUDEUSE	4	\$1.55
211	4502032110	POWER CORD	CORDON D'ALIMENTATION	1	\$22.94
212	4502032120	PAN HD SCREW	VIS A TETE BOMBEE	1	\$1.61
213-2	4502032132	BACK PANEL	PANNEAU ARRIERE	1	\$54.80
214	4502032140	CABINET STAND (SPECIAL ORDER)	SUPPORT CABINET (COMM. SPEC.)	1	\$304.75
216	4502032160	BUSHING INSULATOR	BAGUE DE PROTECTION	1	\$2.59
217	4502032170	WASHER	RONDELLE	6	\$1.55
217-A	4502032171	CAP SCREW	BOULON A TETE CYLINDRIQUE	3	\$3.05
219	4502032190	SPRING WASHER	RONDELLE A RESSORT	3	\$1.67
220	4502032200	HEX. NUT	ECROU HEXAGONAL	3	\$1.61
221	4502032210	PAN HD SCREW	VIS A TETE BOMBEE	4	\$1.61
222	4502032220	DUST CHUTE	SORTIE DE POUSSIERE	1	\$11.33
223	4502032230	HEX. NUT	ECROU HEXAGONAL	4	\$1.61
224	4502032240	PLASTIC COVERED PAD	PIED DE SUPPORT	4	\$4.31
225	4502032250	WASHER	RONDELLE	5	\$1.55
226	4502032260	MOTOR SUPPORT BRACKET	SUPPORT DU MOTEUR	2	\$16.04
227	4502032270	CARRIAGE BOLT	BOULON A CARROSSERIE	4	\$2.13

Pricing subject to change without prior notice. / Prix sujet à changement sans préavis.



Parts Pricing List / Liste de Prix des Pièces KC-203C

Diag.	Order # Com.	English Description	Description Française	Qty./Qté.	Price/Prix
229	4502032290	BACK PLATE FOR SWITCH	PLAQUE ARRIERE D'INTERRUPTEUR	1	\$6.15
230	4502032300	SWITCH BOX	BOITIER/INTERRUPTEUR	1	\$7.88
231	4502032310	STRAIN RELIEF	ATTACHE CORDON	2	\$2.59
232	4502032320	TOOTHED WASHER	RONDELLE ETOILEE	2	\$1.67
233	4502032330	PLATE SCREW	VIS DE LA PLAQUE	1	\$1.55
234	4502032340	HEX. NUT	ECROU HEXAGONAL	1	\$1.55
235	4502032350	GROUND SCREW	VIS DE MISE A LA TERRE	1	\$1.55
236	4502032360	GROUND NUT	ECROU DE MISE A LA TERRE	1	\$1.55
237	4502032370	SWITCH-MOTOR CORD	CORDON MOTEUR-INTERRUPTEUR	1	\$10.06
238	4502032380	FLANGE NUT	ECROU BRIDE	4	\$2.01
239	4502032390	DOOR KNOB	BOUTON DE LA PORTE	1	\$6.73
240	4502032400	SHAFT	TIGE	1	\$4.54
241	4502032410	WASHER	RONDELLE	2	\$1.67
242	4502032420	WAVE WASHER	RONDELLE ONDULE	1	\$1.55
243	4502032430	LOCK PLATE	PLAQUE DE VERROUILLAGE	1	\$2.70
244	4502032440	THIN HEX. NUT	ECROU HEXAGONAL MINCE	2	\$1.73
245	4502032450	MAGNETIC SWITCH (220V)	INTERRUPTEUR MAGNETIQUE (220V)	1	\$160.83
246	4502032460	RABETTING ARM	BRAS DE FEUILLURE	1	\$103.10
247	4502032470	PAN HD SCREW	VIS A TETE BOMBEE	4	\$1.67
248	4502032480	WASHER	RONDELLE	4	\$1.55
249	4502032490	PAN HD SCREW	VIS A TETE BOMBEE	2	\$1.67
250	4502032500	TOOTH WASHER	RONDELLE DENTELEE	2	\$1.67
251	4502032510	HEX. NUT	ECROU HEXAGONAL	2	\$1.55
252	4502032520	MAGNETIC SWITCH PLATE	PLAQUE DE L'INTERR. MAGNETIQUE	1	\$20.53
344-1	4502033441	KNIFE GAUGE & ROD ASS'Y	JAUGE POUR COUTEAU ASSEMBLE	1	\$27.54
344-2	4502033442	KNIFE GAUGE	JAUGE POUR COUTEAU	2	\$9.60
	450203MBIL	BILINGUAL MANUAL KC-203C	MANUEL BILINGUE KC-203C	1	\$15.00