



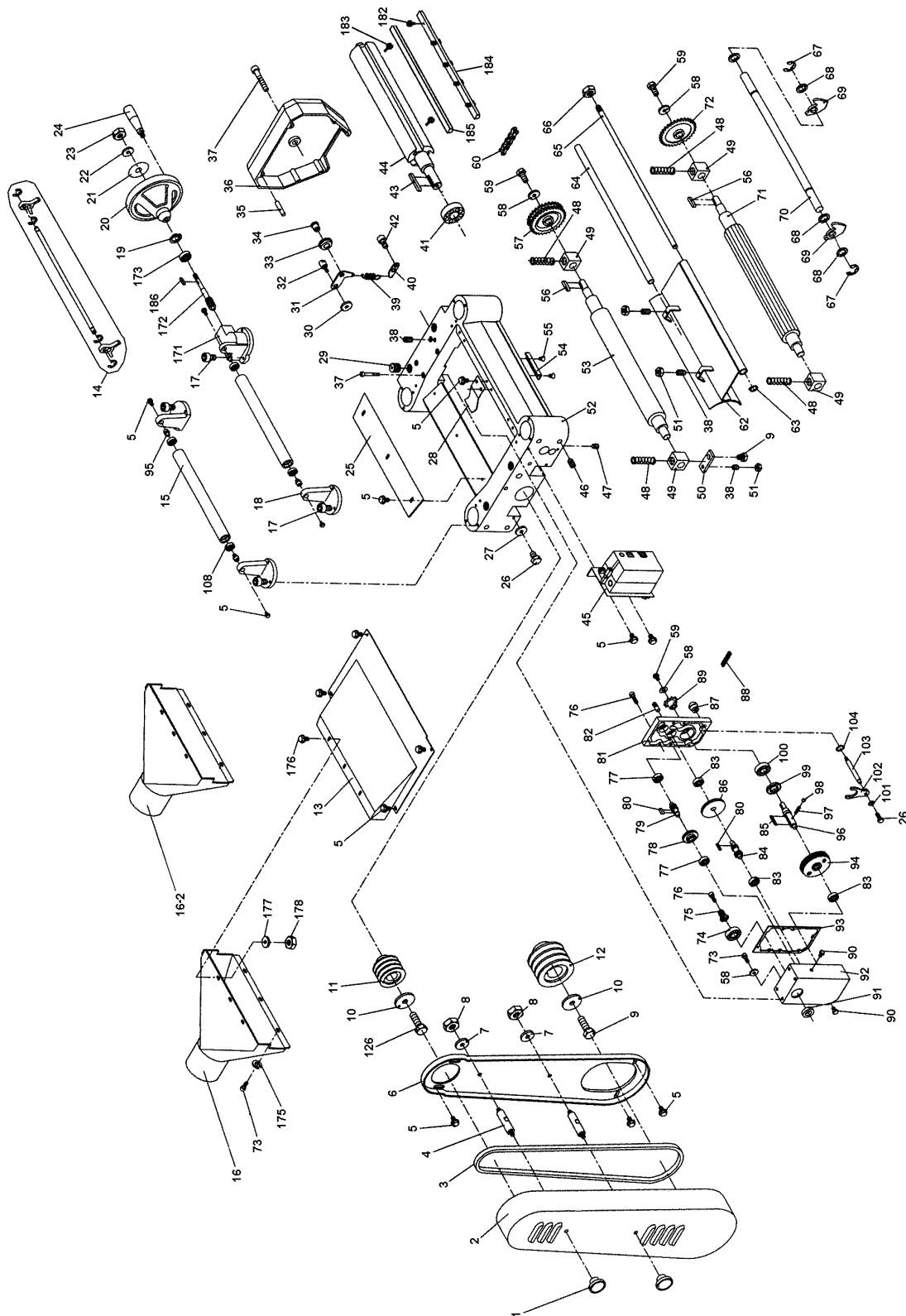
15" Planer Raboteuse 15"



Revised/Revisé 08/2008

Cutterhead Diagram / Diagramme de la Tête de Coupe

CT-381FX





Service Manual / Manuel de Service

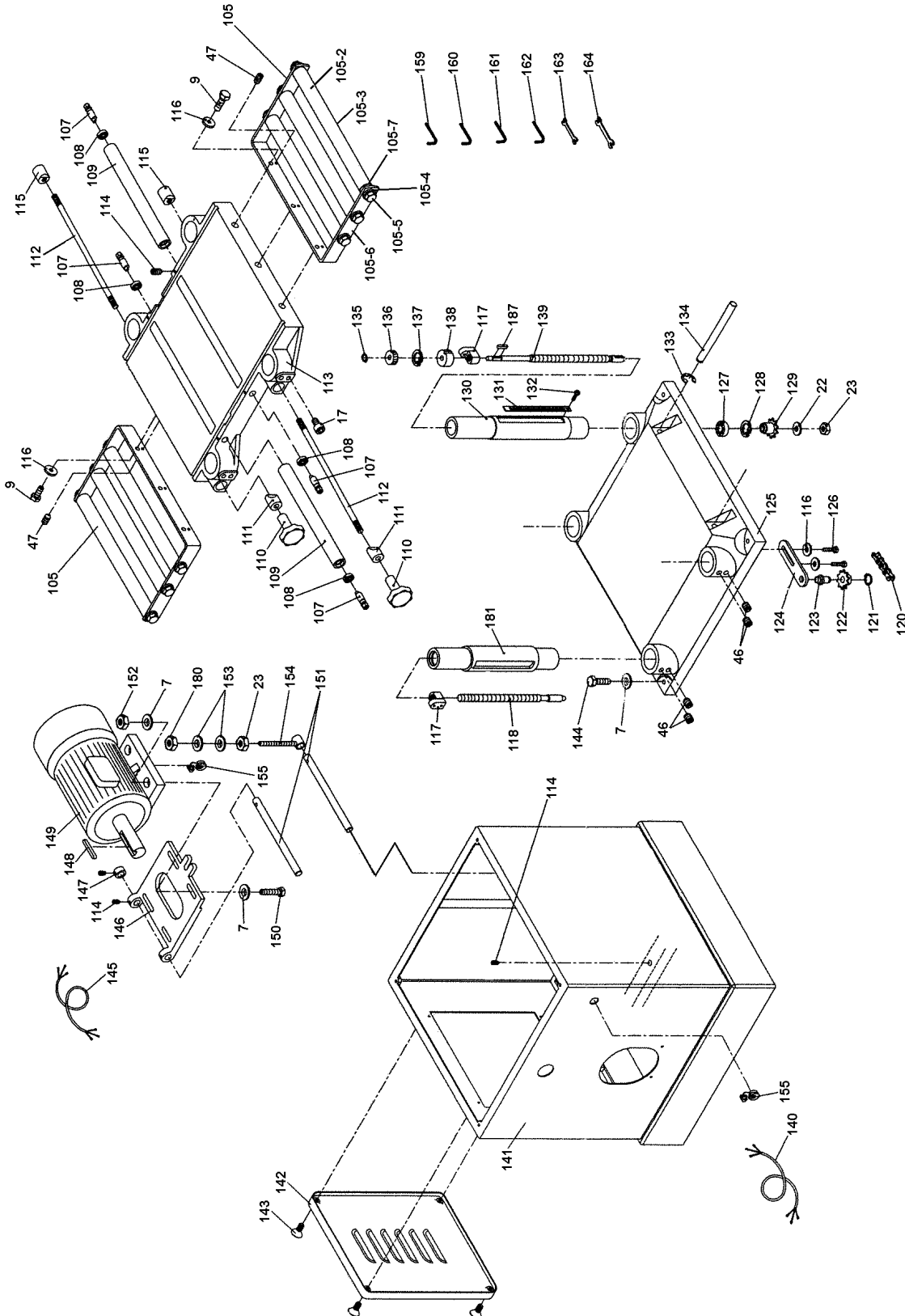
15" Planer Raboteuse 15"



Revised/Revisé 08/2008

Base Diagram / Diagramme de la Base

CT-381FX





Parts Pricing List / Liste de Prix des Pièces **CT-381FX**

Diag.	Order # Com.	English Description	Description Française	Qty./Qté.	Price/Prix
1	0838100010	KNOB	BOUTON	2	\$4.54
2	0838100020	BELT COVER	COUVERCLE DES COURROIES	1	\$80.33
3	0838100030	BELT	COURROIE	3	\$14.89
4	0838100040	SPACER BOLT	BOULON ESPACEUR	2	\$4.54
5	0838100050	FLANGE HD. BOLT	BOULON DE SECURITER	27	\$2.01
6	0838100060	BELT GUARD (INSIDE)	PROTECTEURS DES COURROIES (INT.)	1	\$49.16
7	0838100070	WASHER	RONDELLE	6	\$1.61
8	0838100080	HEX. NUT	ECROU HEXAGONAL	2	\$1.55
9	0838100090	HEX. BOLT	BOULON HEXAGONAL	11	\$2.07
10	0838100100	PULLEY WASHER	RONDELLE DE LA POULIE	2	\$3.16
11	0838100110	CUTTERHEAD PULLEY	POULIE/TETE DE COUPE	1	\$22.94
12	0838100120	MOTOR PULLEY	POULIE DU MOTEUR	1	\$34.33
13	0838100130	CUTTERHEAD COVER	COUVERCLE DE LA TETE DE COUPE	1	\$52.61
14	0838100140	KNIFE GAUGE ASS'Y	JAUGE A COUTEAUX ASSEMBLE	1	\$34.44
15	0838100150	ROLLER	ROULEAU	2	\$29.84
16	0838100160	DUST COLLECTOR HOOD	SORTIE DES COPEAUX	1	\$113.56
16-2	0838100162	PLASTIC DUST COLLECTOR HOOD	COLLECTEUR DE COPEAUX EN PLAS.	1	\$34.44
17	0838100170	CAP SCREW	BOULON A TETE CYLINDRIQUE	20	\$2.47
18	0838100180	ROLLER BRACKET	SUPPORT DE ROULEAU	3	\$18.34
19	0838100190	RETAINING RING/BORE	ANNEAU DE RETENU/ALESAGE	2	\$2.24
20	0838100200	HANDWHEEL	MANIVELLE D'OPERATION	1	\$45.94
21	0838100210	ROUND DIRECTION PLATE	PLAQUE RONDE DE DIRECTION	1	\$2.82
22	0838100220	WASHER	RONDELLE	5	\$1.55
23	0838100230	HEX. NUT (SPECIAL)	ECROU HEXAGONAL SPECIAL	7	\$2.59
24	0838100240	HANDLE WHEEL	POIGNEE DE LA MANIVELLE	1	\$12.25
25	0838100250	CHIP DEFLECTOR PLATE	DEFLECTEUR DE COPEAUX	1	\$21.56
26	0838100260	HEX. BOLT	BOULON HEXAGONAL	5	\$1.67
27	0838100270	WASHER	RONDELLE	12	\$1.61
28	0838100280	PLATE SPRING	PLAQUE A RESSORT	3	\$4.43
29	0838100290	TENSIONING SET SCREW	VIS SANS TETE POUR TENSION	4	\$4.54
30	0838100300	SPACER COLLAR	COLLET ESPACEUR	1	\$2.70
31	0838100310	WHEEL BRACKET	SUPPORT DE LA ROUE	1	\$5.35
32	0838100320	THREADED SHAFT	TIGE VISSEE	1	\$6.15
33	0838100330	TENSION WHEEL	ROUE DE TENSION	1	\$6.15
34	0838100340	TENSION WHEEL SHAFT	TIGE DE LA ROUE DE TENSION	1	\$5.69
35	0838100350	SPRING PIN	GOUPILLE A RESSORT	2	\$1.78
36	0838100360	CHAIN GEAR COVER	COUV. DES ENGRENAGES A CHAINE	1	\$57.33
37	0838100370	CAP SCREW	BOULON A TETE CYLINDRIQUE	5	\$3.05
38	0838100380	SET SCREW	VIS SANS TETE	7	\$1.67
39	0838100390	SPRING	RESSORT	1	\$2.70
40	0838100400	WHEEL BRACKET	SUPPORT DE LA ROUE	1	\$4.20
41	0838100410	BALL BEARING	ROULEMENT A BILLES	1	\$19.49
42	0838100420	CAP SCREW	BOULON A TETE CYLINDRIQUE	2	\$1.67
43	0838100430	KEY	CLE DE RETENUE	1	\$2.59
44	0838100440	CUTTERHEAD (3 KNIVES)	TETE DE COUPE (3 COUTEAUX)	1	\$270.25
45	0838100450	MAGNETIC SWITCH (220V-17.5AMP)	INTERR. MAGNETIQUE (220V-17.5AMP)	1	\$251.68
46	0838100460	SET SCREW	VIS SANS TETE	16	\$2.01
47	0838100470	SET SCREW	VIS SANS TETE	7	\$2.13



Parts Pricing List / Liste de Prix des Pièces **CT-381FX**

Diag.	Order # Com.	English Description	Description Française	Qty./Qté.	Price/Prix
48	0838100480	ROLLER SPRING	RESSORT DES ROULEAUX	4	\$4.54
49	0838100490	ROLLER BUSHING	SUPPORT DE ROULEAU	4	\$12.59
50	0838100500	SUPPORT PLATE	PLAQUE DE SOUTIEN	4	\$3.62
51	0838100510	HEX. NUT	ECROU HEXAGONAL	6	\$1.67
52	0838100520	HEAD CASTING (SPECIAL ORDER)	TETE EN FONTE (COMM. SPECIALE)	1	\$458.85
53	0838100530	15" OUTFEED ROLLER	ROULEAU DE SORTIE 15"	1	\$125.35
54	0838100540	CUT LIMIT PLATE	PLAQUE DE LIMITE DE COUPE	1	\$4.31
55	0838100550	COUNTERSINK SCREW	VIS FRAISER	2	\$1.67
56	0838100560	KEY	CLE DE RETENUE	2	\$2.01
57	0838100570	DOUBLE SPROCKET (31T)	ENGRENAGE DOUBLE (31 DENTS)	1	\$67.56
58	0838100580	SPECIAL WASHER	RONDELLE SPECIALE	4	\$1.90
59	0838100590	HEX. BOLT	BOULON HEXAGONAL	3	\$1.67
60	0838100600	CHAIN	CHAINE	1	\$25.13
62	0838100620	CHIPBREAKER	DEFLECTEUR DE COPEAUX	1	\$61.93
63	0838100630	RETAINING RING/SHAFT	ANNEAU DE RETENU/TIGE	1	\$1.55
64	0838100640	CHIPBREAKER SHAFT	TIGE/DEFLECTEUR DE COPEAUX	1	\$15.58
65	0838100650	LONG LOCKING BOLT	TIGE DE VERROUILLAGE	1	\$14.66
66	0838100660	HEX. NUT	ECROU HEXAGONAL	1	\$1.78
67	0838100670	RETAINING RING "E"	ANNEAU DE RETENU "E"	2	\$2.01
68	0838100680	FINGER SPACER	ESPACEUR DES DOIGTS	40	\$2.70
69	0838100690	ANTI-KICK FINGER	DOIGT ANTI-RETOUR	39	\$4.54
70	0838100700	ANTI-KICK BACK FINGER SHAFT	TIGE DES DOIGTS ANTI-RETOUR	1	\$19.15
71	0838100710	15" INFEED ROLLER	ROULEAU D'ALIMENTATION 15"	1	\$148.35
72	0838100720	CHAIN SPROCKET	ENGRENAGE A PIGNON	1	\$38.93
73	0838100730	CAP SCREW	BOULON A TETE CYLINDRIQUE	4	\$2.47
74	0838100740	BALL BEARING	ROULEMENT A BILLES	1	\$17.19
75	0838100750	HELICAL GEAR	ENGRENAGE HELICOIDAL	1	\$21.56
76	0838100760	CAP SCREW	BOULON A TETE CYLINDRIQUE	6	\$2.70
77	0838100770	BALL BEARING	ROULEMENT A BILLES	2	\$11.10
78	0838100780	GEAR	ENGRENAGE	1	\$33.75
79	0838100790	SINGLE GEARED SHAFT	TIGE ENGRENAGE SIMPLE	1	\$20.30
80	0838100800	KEY	CLE DE RETENUE	2	\$1.78
81	0838100810	GEAR BOX COVER	COUV. DU BOITIER D'ENGRENAGE	1	\$67.68
82	0838100820	PIN	GOUPILLE	2	\$2.24
83	0838100830	BALL BEARING	ROULEMENT A BILLES	3	\$11.10
84	0838100840	DOUBLE GEARED SHAFT	TIGE ENGRENAGE DOUBLE	1	\$27.43
85	0838100850	KEY	CLE DE RETENUE	1	\$2.24
86	0838100860	GEAR	ENGRENAGE	1	\$34.33
87	0838100870	SPEED SHAFT KNOB	BOUTON DE LA TIGE DES VITESSES	1	\$3.39
88	0838100880	CHAIN	CHAINE	1	\$17.19
89	0838100890	CHAIN SPROCKET (12 TEETH)	ENGRENAGE A PIGNON (12 DENTS)	1	\$17.08
90	0838100900	OIL PLUG	BOUCHON A L'HUILE	2	\$3.39
91	0838100910	OIL SEAL	JOINT D'ETANCHEITE	1	\$20.64
92	0838100920	GEAR BOX	BOITIER D'ENGRENAGE	1	\$96.43
93	0838100930	GASKET	JOINT DU BOITIER	1	\$10.06
94	0838100940	DOUBLE GEAR ASSEMBLY	ENGRENAGE DOUBLE ASSEMBLE	1	\$103.39
95	0838100950	ROLLER SHAFT	TIGE DE ROULEAU	4	\$3.74

Pricing subject to change without prior notice. / Prix sujet à changement sans préavis.



Parts Pricing List / Liste de Prix des Pièces **CT-381FX**

Diag.	Order # Com.	English Description	Description Française	Qty./Qté.	Price/Prix
96	0838100960	SHAFT FOR GEAR	TIGE POUR ENGRENAGE	1	\$34.44
97	0838100970	SPRING	RESSORT	1	\$2.70
98	0838100980	STEEL BALL	BILLE EN ACIER	1	\$2.01
99	0838100990	OIL SEAL	JOINT D'ETANCHEITE	1	\$16.04
100	0838101000	BALL BEARING	ROULEMENT A BILLES	1	\$22.94
101	0838101010	WASHER	RONDELLE	1	\$1.55
102	0838101020	CLUTCH FORK	FOURCHETTE D'EMBRAYAGE	1	\$15.93
103	0838101030	CLUTCH SHAFT	TIGE D'EMBRAYAGE	1	\$14.55
104	0838101040	O-RING	ANNEAU D'ETANCHEITE	1	\$2.01
105	0838101050	EXTENSION ROLLER ASSEMBLY (3)	ROULEAUX D'EXTENSION ASS. (3)	2	\$112.30
105-2	0838101052	ROLLER SHAFT	TIGE DE ROULEAU	3	\$12.59
105-3	0838101053	ROLLER	ROULEAU	3	\$16.85
105-4	0838101054	WASHER	RONDELLE PLATE	6	\$1.55
105-5	0838101055	HEX. BOLT	BOULON HEXAGONAL	6	\$1.67
105-6	0838101056	ROLLER FRAME	SUPPORT DE ROULEAUX	1	\$39.04
105-7	0838101057	ROLLER BUSHING	BAGUE DE ROULEAU	6	\$3.05
107	0838101070	ECCENTRIC SHAFT	TIGE EXCENTRIQUE	4	\$10.98
108	0838101080	BALL BEARING	ROULEMENT A BILLES	8	\$13.74
109	0838101090	TABLE ROLLER	ROULEAU DE TABLE	2	\$27.20
110	0838101100	LOCKING KNOB (SHORT)	BOUTON DE VERROUILLAGE (COURT)	2	\$9.60
111	0838101110	LOCK BUSHING	BAGUE DE VERROUILLAGE	2	\$5.35
112	0838101120	LOCKING BOLT	TIGE VISSEE DE VERROUILLAGE	2	\$16.85
113	0838101130	WORKING TABLE (SPEC. ORDER)	TABLE DE RABOTAGE (COMM. SPEC.)	1	\$431.25
114	0838101140	SET SCREW	VIS SANS TETE	8	\$1.61
115	0838101150	THREADED BUSHING	BARRURE DE TIGE FILETEE	2	\$5.69
116	0838101160	WASHER	RONDELLE	8	\$1.67
117	0838101170	ELEVATING NUT	ECROU POUR ELEVATION	4	\$9.03
118	0838101180	LEAD SCREW	TIGE D'ELEVATION	3	\$43.53
120	0838101200	CHAIN	CHAINE	1	\$44.56
121	0838101210	RETAINING RING/SHAFT	ANNEAU DE RETENU/TIGE	1	\$1.55
122	0838101220	CHAIN SPROCKET	ENGRENAGE A PIGNON	1	\$15.93
123	0838101230	SPROCKET SHAFT	TIGE DE L'ENGRENAGE A PIGNON	1	\$11.33
124	0838101240	SPROCKET BRACKET	SUPPORT DE L'ENGRENAGE	1	\$6.84
125	0838101250	BASE (SPECIAL ORDER)	SOCLE (COMMANDE SPECIAL)	1	\$412.85
126	0838101260	HEX. BOLT	BOULON HEXAGONAL	3	\$1.84
127	0838101270	BALL BEARING	ROULEMENT A BILLES	4	\$11.44
128	0838101280	RETAINING RING/BORE	ANNEAU DE RETENU/ALESAGE	4	\$2.47
129	0838101290	CHAIN SPROCKET	ENGRENAGE A PIGNON	4	\$16.85
130	0838101300	HANDWHEEL COLUMN	COLONNE DE LA MANIVELLE	1	\$78.95
131	0838101310	ELEVATING SCALE	ECELLE D'ELEVATION	1	\$4.54
132	0838101320	PAN HD. SCREW	VIS A TETE BOMBEE	2	\$1.44
133	0838101330	E-RETAINING RING	ANNEAU DE RETENU "E"	4	\$1.55
134	0838101340	LIFTING BAR	BARRE DE SOULEVEMENT	4	\$11.21
135	0838101350	RETAINING RING/SHAFT	ANNEAU DE RETENU/TIGE	1	\$1.50
136	0838101360	WORM GEAR	ENGRENAGE SANS FIN	1	\$22.60
137	0838101370	RETAINING RING/BORE	ANNEAU DE RETENU/ALESAGE	1	\$2.70
138	0838101380	BUSHING	ESPACEUR	1	\$5.69

Pricing subject to change without prior notice. / Prix sujet à changement sans préavis.



Parts Pricing List / Liste de Prix des Pièces **CT-381FX**

Diag.	Order # Com.	English Description	Description Française	Qty./Qté.	Price/Prix
139	0838101390	HANDWHEEL LEAD SCREW	TIGE D'ELEVATION DE LA MANIVELLE	1	\$49.16
140	0838101400	POWER CORD	CORDON D'ALIMENTATION	1	\$22.94
141	0838101410	STAND (SPECIAL ORDER)	CABINET (COMMANDE SPECIAL)	1	\$488.75
142	0838101420	CABINET COVER	COUVERCLE DU CABINET	1	\$57.21
143	0838101430	COUNTERSUNK SCREW	VIS FRAISER	8	\$1.78
144	0838101440	HEX. BOLT	BOULON HEXAGONAL	4	\$2.19
145	0838101450	MOTOR CORD	CORDON DU MOTEUR	1	\$16.04
146	0838101460	MOTOR MOUNT PLATE	PLAQUE DU MOTEUR	1	\$28.46
147	0838101470	COLLAR BUSHING	COLLET ESPACEUR	1	\$3.97
148	0838101480	KEY	CLE DE RETENUE	1	\$2.13
149	0838101490	MOTOR (3HP-14A-220V)	MOTEUR (3CV-14A-220V)	1	\$539.35
150	0838101500	HEX. BOLT	BOULON HEXAGONAL	4	\$2.19
151	0838101510	MOTOR MOUNTING SHAFT	TIGE DE MONTAGE DU MOTEUR	2	\$10.98
152	0838101520	HEX. NUT	ECROU HEXAGONAL	4	\$1.61
153	0838101530	WASHER	RONDELLE	2	\$1.61
154	0838101540	ADJUST. BOLT	BOULON D'AJUSTEMENT	1	\$9.14
155	0838101550	STRAIN RELIEF	ATTACHE FIL	2	\$2.70
159	0838101590	6mm HEX. KEY	CLE HEXAGONALE 6mm	1	\$2.93
160	0838101600	5mm HEX. KEY	CLE HEXAGONALE 5mm	1	\$2.82
161	0838101610	4mm HEX. KEY	CLE HEXAGONALE 4mm	1	\$2.70
162	0838101620	3mm HEX. KEY	CLE HEXAGONALE 3mm	1	\$2.59
163	0838101630	OPEN END WRENCH 8-10	CLE OUVERTE 8-10	1	\$4.43
164	0838101640	OPEN END WRENCH 12-14	CLE OUVERTE 12-14	1	\$4.54
171	0838101710	WORM GEAR BOX	BOITE D'ENGRENAGE	1	\$68.83
172	0838101720	WORM GEAR SHAFT	TIGE A ENGRENAGE SANS FIN	1	\$36.28
173	0838101730	BALL BEARING	ROULEMENT A BILLES	1	\$10.29
175	0838101750	SPRING WASHER	RONDELLE A RESSORT	3	\$1.55
176	0838101760	HEX. BOLT	BOULON HEXAGONAL	3	\$1.67
177	0838101770	WASHER	RONDELLE	3	\$1.67
178	0838101780	HEX. NUT	ECROU HEXAGONAL	3	\$1.67
180	0838101800	HEX. NUT	ECROU HEXAGONAL	2	\$1.73
181	0838101810	COLUMN	COLONNE	3	\$68.83
182	0838101820	KNIFE LOCKING SCREW	BOULON DE VERR. COUTEAUX	15	\$2.70
183	0838101830	JACK SCREW	VIS D'ELEVATION	6	\$2.13
184	0838101840	KNIFE LOCKING BAR	BARRE DE VERROUILLAGE	3	\$17.08
185	KKC-15	SET OF H.S.S. KNIVES (3)	JEU DE COUTEAUX EN ACIER (3)	1	-
186	0838101860	KEY	CLE DE RETENUE	1	\$1.78
187	0838101870	KEY	CLE DE RETENUE	1	\$1.78
555-5	0838105555	HARDWARE BAG	SAC DE QUINCAILLERIE	1	\$36.63
	083810MBIL	BILINGUAL MANUAL CT-381FX	MANUEL BILINGUE CT-381FX	1	\$15.00