

hp photosmart
7200 series

setup guide



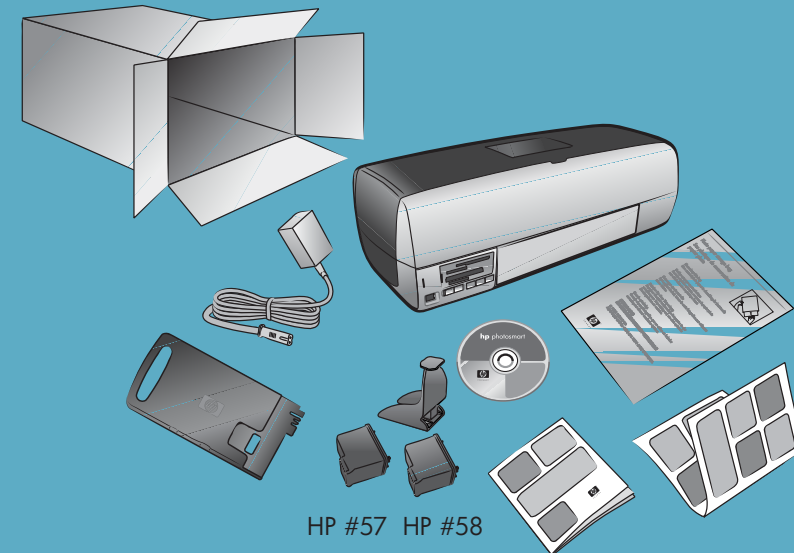
Windows PC: Do not connect the printer to your computer with the USB cable until prompted by the installation software.

Macintosh: Do not connect the printer to your computer with the USB cable until the software installation has finished.

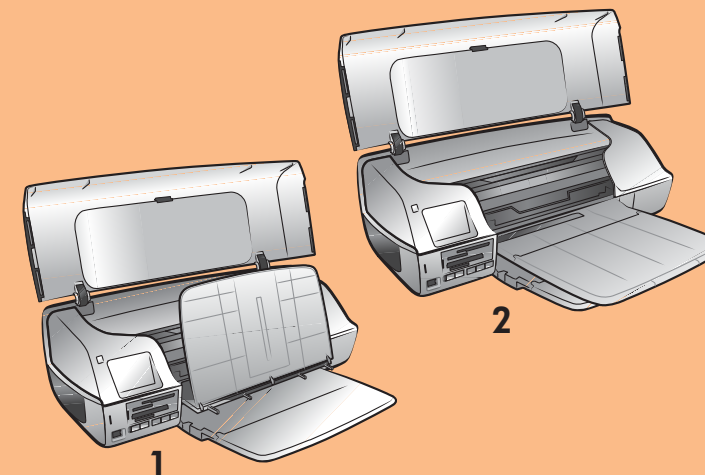


1 unpack your printer

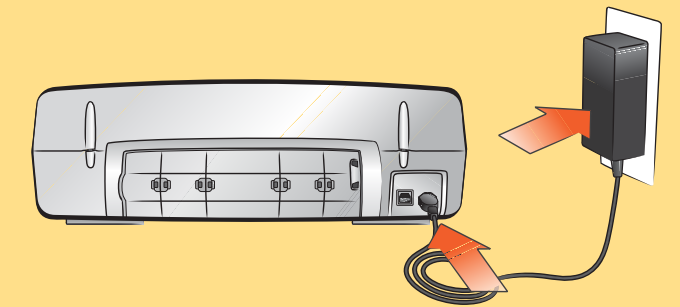
Note: Purchase a USB cable separately. See the *HP Photosmart Basics Guide* for a description of the items included with your printer.



2 open your printer



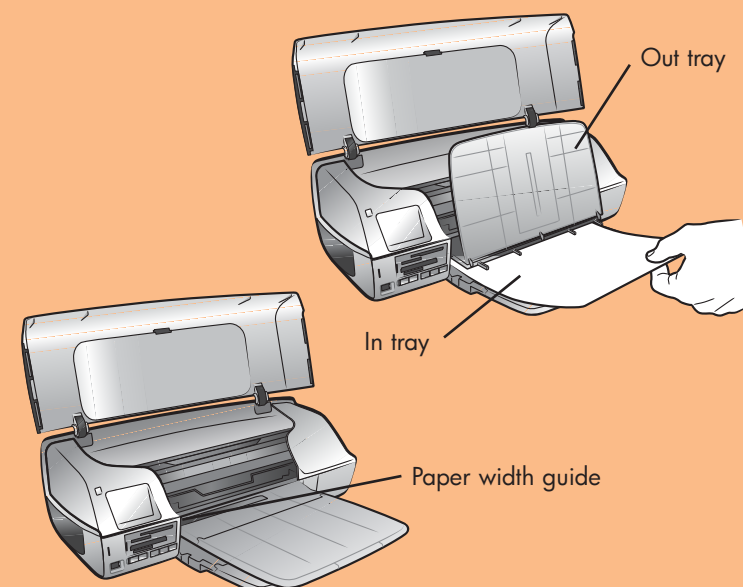
3 plug in the power cord



4 load plain paper in the in tray

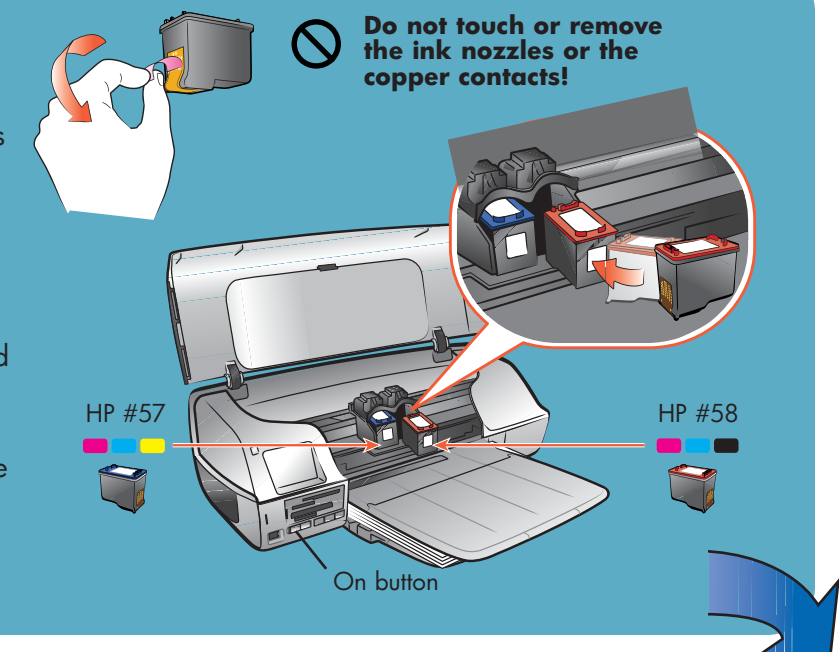
1. Lift the main cover of the printer, and slide the paper width guide as far to the left as it will go.
2. Lift the Out tray and place a stack of plain paper in the In tray.
3. Push the paper into the printer as far as it will go without bending.
4. Adjust the paper width guide to fit close to the edge of the paper without bending the paper.
5. Lower the Out tray and main cover.

Note: You can load 4 x 6 inch (100 x 150 mm) photo paper in the photo cassette (that came with the printer) for printing beautiful photos. Store photo paper in the resealable storage bag provided. For more information see the *HP Photosmart Basics Guide* or *HP Photosmart Printer Help*.



5 install the print cartridges

1. Press the **ON** button to turn on the printer.
2. Lift the main cover. The print cartridge cradle moves to the middle of the printer.
3. Pull the **pink pull-tab** to remove the clear tape from each print cartridge. Do not touch or remove the copper contacts.
4. Insert the print cartridges with the copper contacts facing the printer, and with one label facing up and the other label facing out from the printer.
Be sure to insert the **HP #57 tri-color** print cartridge in the left stall and the **HP #58 photo** print cartridge in the right stall.
5. Close the main cover.



Q3005-90154

6 install the hp photosmart printer software



Windows PC: Do not connect the printer to your computer with the USB cable until prompted by the installation software.

Macintosh: Do not connect the printer to your computer with the USB cable until the software installation has finished.

Note: For more detailed installation instructions or troubleshooting information, see the *HP Photosmart Setup & Support Reference Guide*.

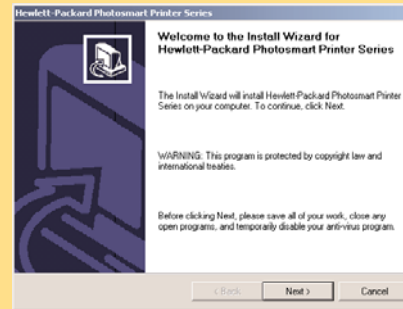
Windows PC

1. Be sure you have completed boxes 1 through 5. If your computer is off, turn it on.

Important: Disable virus-checking software before you install the printer software.

2. Insert the HP Photosmart CD into your computer's CD-ROM drive. Wait for the files to load. The following dialog box appears:

3. Click **Next**, then follow the onscreen instructions to install the printer software.



Note: If the dialog box does not appear, use Windows Explorer or My Computer to locate your CD-ROM drive, then double-click **setup.exe**. The HP Photosmart printer dialog box appears.

4. Continue with box 7 to connect the printer to your computer.

Macintosh



1. Be sure you have completed boxes 1 through 5. If your computer is off, turn it on.
2. Insert the HP Photosmart CD into your computer's CD-ROM drive.
3. Double-click the **HP Photosmart CD** icon.
4. Double-click the **HP Photosmart Install** icon. Follow the onscreen instructions to install the printer software.
5. Continue with box 7 to connect the printer to your computer.

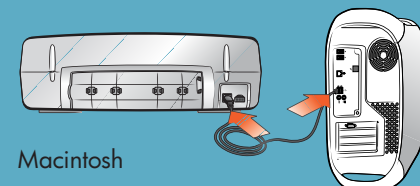
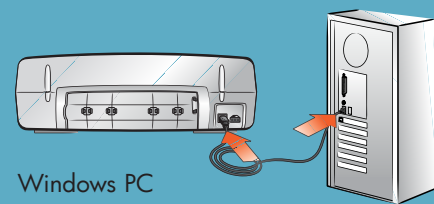
7 connect the printer to your computer

1. Purchase a USB-compliant interface cable separately.
2. Plug one end of the USB cable into your computer's USB port.
3. Plug the other end of the USB cable into the USB port on the **back** of your printer.

Note: The USB port on the front of your printer is for connecting a HP direct-printing digital camera or notebook computer.

Important: Be sure the printer is connected directly to your Windows PC. Installing the printer software when the printer is connected to the Windows PC through a USB hub can cause errors and prevent a successful installation.

4. Continue with step 5 to finish the software installation.



Windows PC

5. After connecting the printer to your computer, continue following the onscreen instructions to finish installing the HP Photosmart printer software and the HP Photo & Imaging software.

At the end of the installation, the computer may restart. When the update software window appears, click **Check Now** or **Close**. When the welcome window appears, click where it says **Click here to print a sample page** to verify that the printer and computer are setup and communicating properly.

Macintosh

5. **OS X:** After connecting the printer to your computer, select the printer in the Print dialog box. If the printer does not appear in the list, select **Edit Printer List** to add the printer. See the *HP Photosmart Setup & Support Reference Guide* for more information.

OS 9: After connecting the printer to your computer, select the printer in the Chooser. See the *HP Photosmart Setup & Support Reference Guide* for more information.



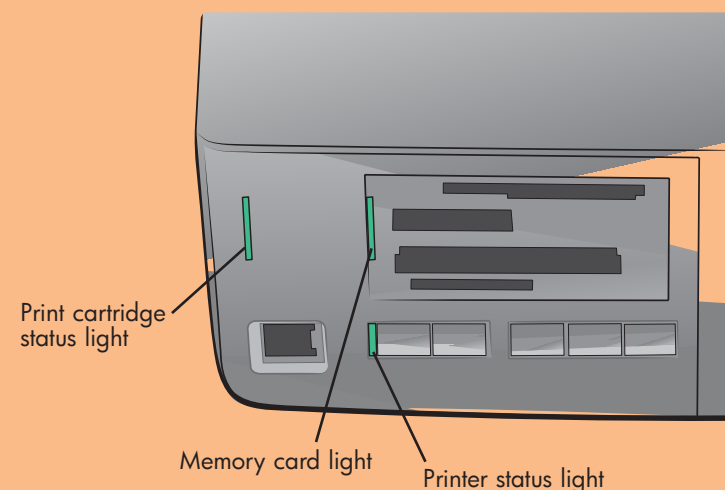
printer lights

Print cartridge status light — When this light is green, one of the print cartridges is low on ink. When this light flashes red, one of the print cartridges has failed.

Memory card light — When this light is on, a memory card is inserted in one of the memory card slots. When this light flashes green, the computer is accessing the memory card. When this light flashes red, there is an error.

Printer status light — When this light is on, the printer is on. When this light flashes green, the printer is busy. When this light flashes red, the printer requires attention.

Note: For more detailed instructions or troubleshooting information, see the *HP Photosmart Basics Guide* or *HP Photosmart Printer Help*.



need more help?



www.hp.com/support



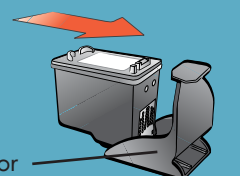
Printed in USA 05/03 v1.1.0 • Printed on recycled paper
© 2003 Hewlett-Packard Company
Windows is a registered trademark of Microsoft Corporation
Macintosh is a registered trademark of Apple Computer, Inc.

use an optional print cartridge

Be sure to purchase an HP #56 black print cartridge separately.

- To print text documents faster and better, replace the photo print cartridge in the right stall with an HP #56 black print cartridge.
- To go back to printing beautiful photos, remove the black print cartridge and reinstall the HP #58 photo print cartridge in the right stall.

Store the unused print cartridge in the print cartridge protector in the print cartridge storage area in your printer.



Print cartridge protector