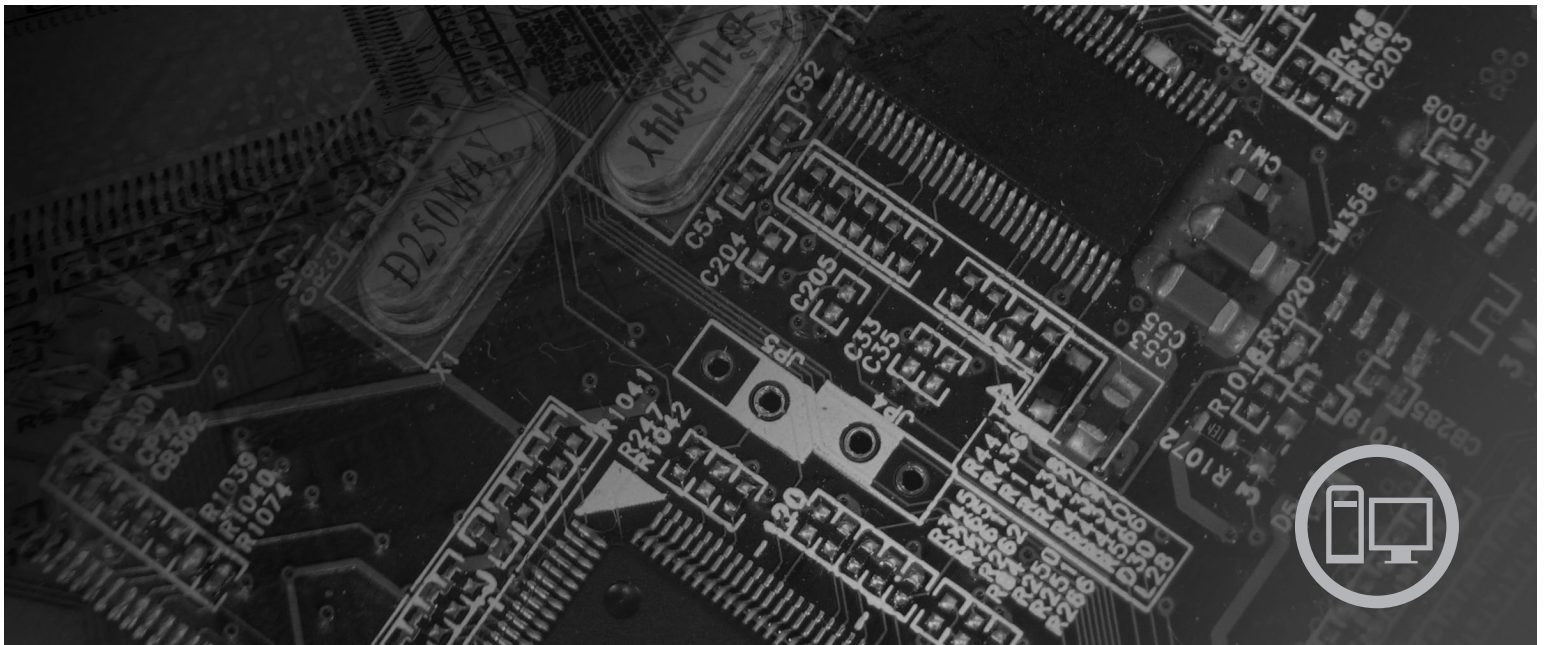




ThinkStation User Guide



Machine Types 6423, 6427, 6439, 6449, 6483, 6493

lenovo

ThinkStation
User Guide

Note

Before using this information and the product it supports, be sure to read the *Safety and Warranty Guide* that came with this product and Appendix B, "Notices," on page 57.

Second Edition (July 2008)

© Copyright Lenovo 2005, 2008.

Portions © Copyright International Business Machines Corporation 2005.

All rights reserved.

LENOVO products, data, computer software, and services have been developed exclusively at private expense and are sold to governmental entities as commercial items as defined by 48 C.F.R. 2.101 with limited and restricted rights to use, reproduction and disclosure.

LIMITED AND RESTRICTED RIGHTS NOTICE: If products, data, computer software, or services are delivered pursuant a General Services Administration "GSA" contract, use, reproduction, or disclosure is subject to restrictions set forth in Contract No. GS-35F-05925.

Contents

Introduction	v
-------------------------------	----------

Chapter 1. Important safety information	1
Additional safety requirements for machine types 6427, 6449, and 6493	1

Chapter 2. Arranging your workspace	3
Comfort	3
Glare and lighting	3
Air circulation	4
Electrical outlets and cable lengths	4

Chapter 3. Setting up your computer	5
Connecting your computer	5
Turning on computer power	11
Finishing the software installation	11
Completing important tasks	11
Updating your operating system	12
Installing other operating systems	12
Updating your antivirus software	12
Shutting down the computer	12
Installing external options	12
Features	13
Specifications	16

Chapter 4. Software overview	17
Software provided with your Windows operating system	17
Software provided by Lenovo	17
PC-Doctor for WINPE, PC-Doctor for Windows	17
Adobe Acrobat Reader	18

Chapter 5. Using the Setup Utility	19
Starting the Setup Utility program	19
Viewing and changing settings	19
Using passwords	19
Password considerations	19
User Password	20
Administrator Password	20
Setting, changing, and deleting a password	20
Selecting a startup device	20
Selecting a temporary startup device	20
Selecting or changing the startup device sequence	21
Advanced settings	21
Exiting from the Setup Utility program	21

Chapter 6. Installing and configuring RAID	23
Attaching SATA hard disk drives	23
Configuring the system BIOS to enable embedded SATA RAID functionality	23
Creating RAID volumes	23
Deleting RAID volumes	24
SUPPORTED SAS RAID configurations	24

Configuring the system BIOS to enable SAS RAID functionality	24
Configuring the system BIOS to enable SAS RAID 0 functionality	25
Configuring the system BIOS to enable SAS RAID 1 functionality	25
Configuring a mirrored volume with three to five disks, with an optional hot spare disk:	26
Configuring the system BIOS to enable SAS RAID 1E functionality	26

Chapter 7. Updating system programs	29
Using system programs	29
Updating (flashing) BIOS from a diskette or CD-ROM	29
Updating (flashing) BIOS from your operating system	30

Chapter 8. Troubleshooting and diagnostics	31
Basic troubleshooting	31
Diagnostic programs	32
PC-Doctor for Windows	33
PC-Doctor for Windows PE	33
PC-Doctor for DOS	33
Cleaning the mouse	35
Optical mouse	35
Non-optical mouse	35

Chapter 9. Recovering software	37
Creating and using the Product Recovery disc	37
Performing backup and recovery operations	38
Using the Rescue and Recovery workspace	39
Creating and using rescue media	40
Creating and using a Recovery Repair diskette	41
Recovering or installing device drivers	42
Setting a rescue device in the startup sequence	43
Solving recovery problems	43

Chapter 10. Getting information, help, and service	45
Information resources	45
Online Books folder	45
ThinkVantage Productivity Center	45
Safety and Warranty	46
www.lenovo.com	46
Help and service	46
Using the documentation and diagnostic programs	46
Calling for service	47
Using other services	47
Purchasing additional services	48

Appendix A. Manual modem commands 49
 Basic AT commands 49
 Extended AT commands 51
 MNP/V.42/V.42bis/V.44 commands 52
 Fax Class 1 commands 53
 Fax Class 2 commands 53
 Voice commands. 54

Appendix B. Notices 57
 Television output notice 58
 Trademarks 58

Index 59

Introduction

This *User Guide* contains the following information:

- Chapter 1, “Important safety information,” on page 1 provides information about where to find safety information for this product.
- Chapter 2, “Arranging your workspace,” on page 3 provides information about setting up your computer for comfort and the impact of light sources, air circulation, and electrical outlets.
- Chapter 3, “Setting up your computer,” on page 5 provides information about setting up your computer, and also installing the operating system and other software.
- Chapter 4, “Software overview,” on page 17 provides information about the software for this computer.
- Chapter 5, “Using the Setup Utility,” on page 19 provides instructions on how to view and change the configuration settings of your computer.
- Chapter 7, “Updating system programs,” on page 29 provides information about updating POST/BIOS and how to recover from a POST/BIOS update failure.
- Chapter 8, “Troubleshooting and diagnostics,” on page 31 provides information about basic troubleshooting and diagnostic tools for your computer.
- Chapter 9, “Recovering software,” on page 37 provides instructions on how to use the ThinkVantage[®] Rescue and Recovery[®] program to create product recovery disks, back up data, recover software, and restore the entire contents of your hard disk drive to a previously saved state.
- Chapter 10, “Getting information, help, and service,” on page 45 provides information about the wide variety of helpful resources available from Lenovo.
- Appendix A, “Manual modem commands,” on page 49 provides commands for manually programming your modem.
- Appendix B, “Notices,” on page 57 provides notices and trademark information.

Chapter 1. Important safety information

CAUTION:

Before using this manual, it is important that you read and understand all the related safety information for this product. Refer to the *Safety and Warranty Guide* that you received with this product for the latest safety information. Reading and understanding this safety information reduces the risk of personal injury and or damage to your product.

If you no longer have a copy of the *Safety and Warranty Guide*, you can obtain one online from the Lenovo Support Web site at:

<http://www.lenovo.com/support/>

Additional safety requirements for machine types 6427, 6449, and 6493

ThinkStation™ machine types 6427, 6449, and 6493 require two persons to lift or carry.

Chapter 2. Arranging your workspace

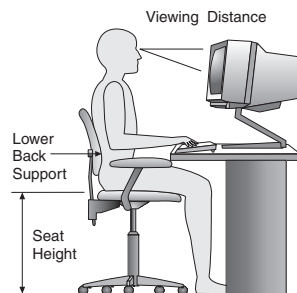
To get the most from your computer, arrange both the equipment you use and your work area to suit your needs and the kind of work you do. Your comfort is of foremost importance, but light sources, air circulation, and the location of electrical outlets can also affect the way you arrange your workspace.

Comfort

Although no single working position is ideal for everyone, here are a few guidelines to help you find a position that suits you best.

Sitting in the same position for a long time can cause fatigue. The backrest and seat of your chair should adjust independently and provide good support. The seat should have a curved front to relieve pressure on the thighs. Adjust the seat so that your thighs are parallel to the floor and your feet are either flat on the floor or on a footrest.

When using the keyboard, keep your forearms parallel to the floor and your wrists in a comfortable position. Use a light touch on the keyboard and your hands and fingers relaxed. Change the angle of the keyboard for maximum comfort by adjusting the position of the keyboard feet.



Adjust the monitor so the top of the screen is at, or slightly below, eye level. Place the monitor at a comfortable viewing distance, usually 51 to 61 cm (20 to 24 inch), and position it so you can view it without having to twist your body. Also, position other equipment you use regularly, such as the telephone or a mouse, within easy reach.

Glare and lighting

Position the monitor to minimize glare and reflections from overhead lights, windows, and other light sources. Reflected light from shiny surfaces can cause annoying reflections on your monitor screen. Place the monitor at right angles to windows and other light sources, when possible. Reduce overhead lighting, if necessary, by turning off lights or using lower wattage bulbs. If you install the monitor near a window, use curtains or blinds to block the sunlight. You can adjust the brightness and contrast controls on the monitor as the room lighting changes throughout the day.

Where it is impossible to avoid reflections or to adjust the lighting, an antiglare filter placed over the screen might be helpful. However, these filters might affect the clarity of the image on the screen; try them only after you have exhausted other methods of reducing glare.

Dust buildup compounds problems associated with glare. Remember to clean your monitor screen periodically using a soft cloth as directed in your monitor documentation.

Air circulation

Your computer and monitor produce heat. The computer has a fan that pulls in fresh air and forces out hot air. The monitor lets hot air escape through vents. Blocking the air vents can cause overheating, which might result in a malfunction or damage. Place the computer and monitor so that nothing blocks the air vents; usually, 51 mm (2 in.) of air space is sufficient. Also, make sure the vented air is not blowing on someone else.

Electrical outlets and cable lengths

The location of electrical outlets, the length of power cords and cables that connect to the monitor, printer, and other devices might determine the final placement of your computer.

When arranging your workspace:

- Avoid the use of extension cords. When possible, plug the computer power cord directly into an electrical outlet.
- Keep power cords and cables neatly routed away from walkways and other areas where they might get kicked accidentally.

For more information about power cords, refer to the *Safety and Warranty Guide* that was provided with your computer.

Chapter 3. Setting up your computer

Read and understand the *Safety and Warranty Guide* before you set up your computer. Reading and understanding the safety information reduces the risk of personal injury and or damage to your product.

Set up your computer in the best possible work area that suits your needs and habits. For more information, see Chapter 2, "Arranging your workspace," on page 3.

Connecting your computer

Use the following information when connecting your computer.

- Look for the small connector icons on the back of your computer. Match the connectors to the icons.
- If your computer cables and connector panel have color-coded connectors, match the color of the cable end with the color of the connector. For example, match a blue cable end with a blue connector or a red cable end with a red connector.

Note: Depending on your model type, your computer might not have all of the connectors that are described in this section.

1. Check the position of the voltage-selection switch on the rear of the computer. Use a ballpoint pen to slide the switch, if necessary.

Note: Some models are equipped with a voltage-selection switch located on the rear of the computer. Ensure you set the voltage-selection switch to match the voltage available at your electrical outlet. Setting the voltage-selection switch-incorrectly can cause permanent damage to the computer.

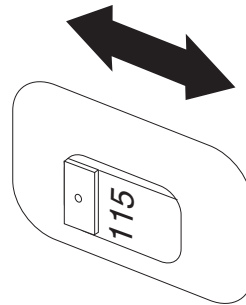
If your computer does not have a voltage-selection switch, your computer is designed to operate only at the voltage provided in the country where the computer was originally purchased.

If you relocate your computer to another country, be aware of the following:

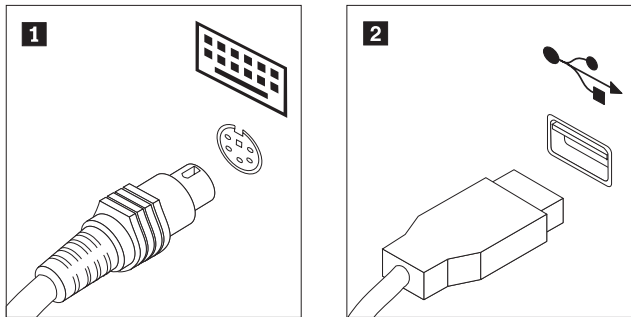
* If your computer does not have a voltage-selection switch, do not connect the computer to an electrical outlet until you have verified that the voltage is the same as it was in the country where the computer was originally purchased.

* If your computer has a voltage-selection switch, do not connect the computer to an electrical outlet until you have verified that the voltage-selection switch is set to match the voltage in that country.

- If the voltage supply range is 100–127 V AC, set the switch to 115 V.
- If the voltage supply range is 200–240 V AC, set the switch to 230 V.

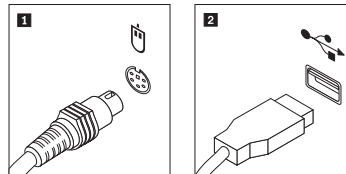


2. Connect the keyboard cable to the appropriate keyboard connector, either the standard keyboard connector **1** or the Universal Serial Bus (USB) connector **2**.



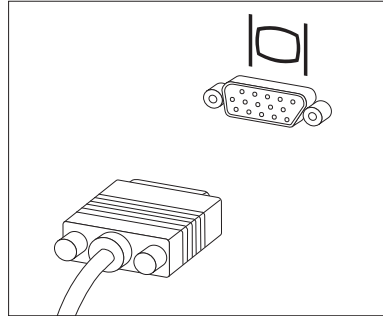
Note: Some models will have keyboards with a fingerprint reader.

3. Connect the USB mouse cable to the appropriate mouse connector.

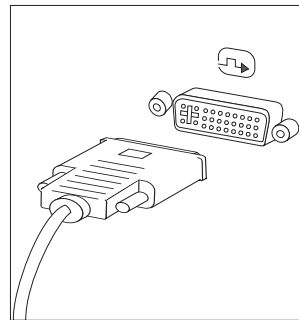


4. Connect the monitor cable to the monitor connector on the computer.
 - If you have a Video Graphics Array (VGA) Standard monitor, connect the cable to the connector as shown.

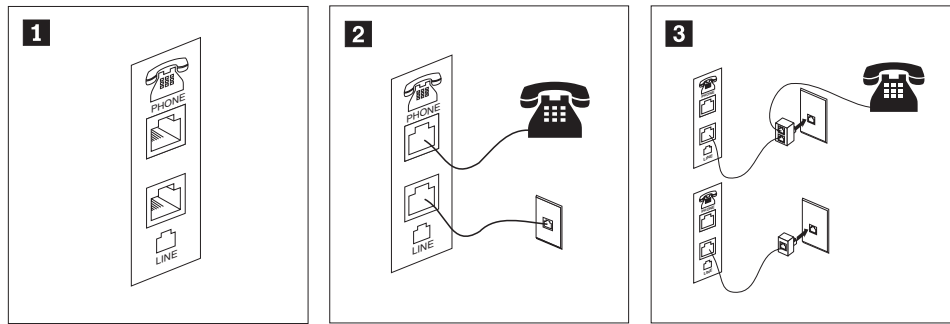
Note: If your model has two monitor connectors, be sure to use the connector on the graphics adapter.



- If you have a digital video interface (DVI) monitor, your computer must have an adapter installed that supports the DVI monitor. Connect the cable to the connector as shown.

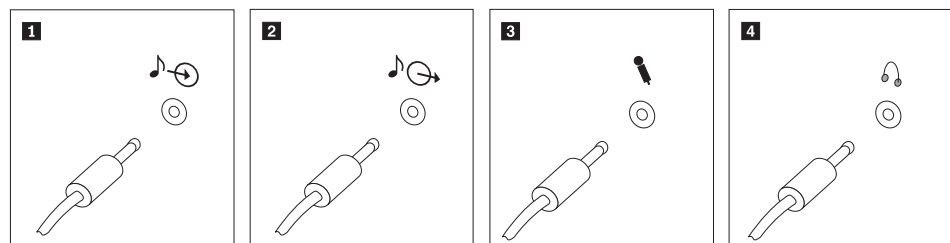


5. If you have a modem, connect the modem using the following information.



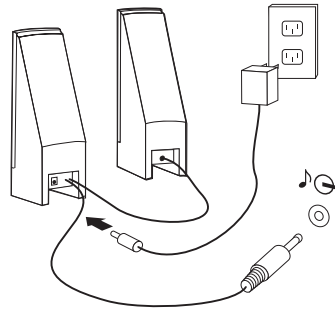
- 1** This illustration shows the two connections on the back of the computer that are needed to set up your modem.
- 2** In the United States and other countries or regions that use the RJ-11 telephone outlet, attach one end of the telephone cable to the telephone and the other end to the telephone connector on the back of the computer. Attach one end of the modem cable to the modem connector on the back of the computer and the other end to the telephone outlet.
- 3** In countries or regions that do not use RJ-11 telephone outlets, a splitter or converter is required to attach the cables to the telephone outlet, as shown at the top of the illustration. You also can use the splitter or converter without the telephone, as shown at the bottom of the illustration.

6. If you have audio devices, attach them using the following instructions. For more information about speakers, see steps 7 and 8 on page 9.

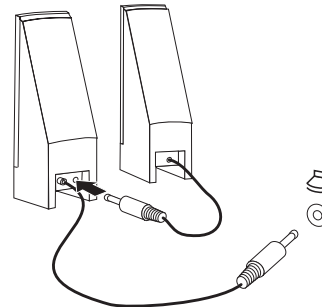


- 1** Audio line-in This connector receives audio signals from an external audio device, such as a stereo system.
- 2** Audio line-out This connector sends audio signals from the computer to external devices, such as powered stereo speakers.
- 3** Microphone Use this connector to attach a microphone to your computer when you want to record sound or if you use speech-recognition software.
- 4** Headphone Use this connector to attach headphones to your computer when you want to listen to music or other sounds without disturbing anyone. This connector might be located on the front of the computer.

7. If you have *powered* speakers with an ac adapter:

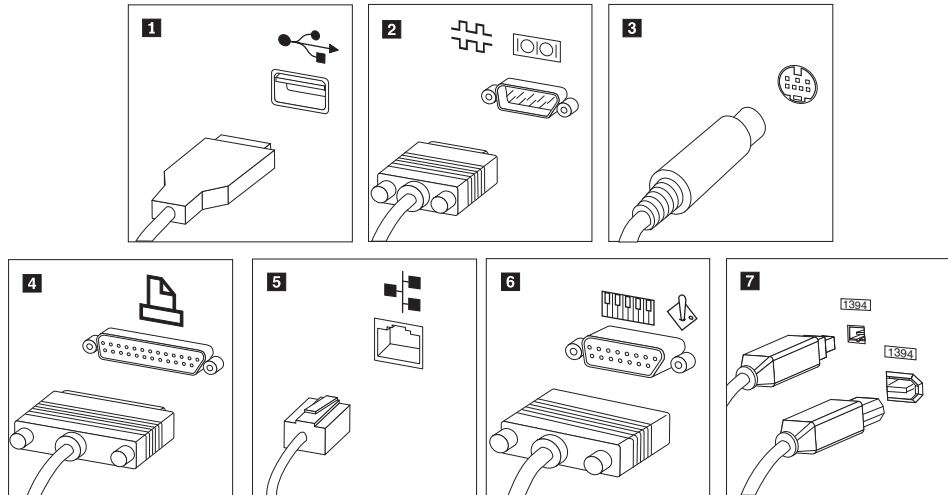


- a. Connect the cable that runs between the speakers, if necessary. On some speakers, this cable is permanently attached.
 - b. Connect the ac adapter cable to the speaker.
 - c. Connect the speakers to the computer.
 - d. Connect the ac adapter to the ac power source.
8. If you have *unpowered* speakers with no ac adapter:



- a. Connect the cable that runs between the speakers, if necessary. On some speakers, this cable is permanently attached.
- b. Connect the speakers to the computer.

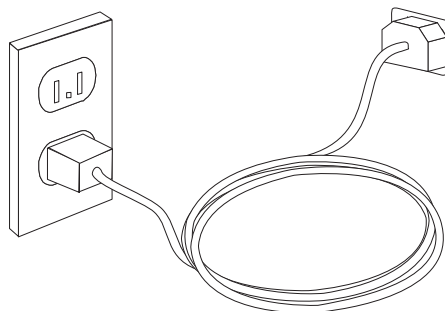
- Connect any additional devices that you have. Your computer might not have all connectors that are shown.



- 1** USB connector
Use this connector to attach a device that requires a USB connection, such as a keyboard, mouse, scanner, printer, or personal digital assistant (PDA).
- 2** Serial connector
Use this connector to attach an external modem, serial printer, or other device that uses a 9-pin serial connector.
- 3** S-video connector
Use this connector to attach a television set that has an S-Video connector. This connector is present on some high-performance video adapters.
- 4** Parallel connector
Use this connector to attach a parallel printer or any other device that requires a 25-pin parallel connection.
- 5** Ethernet connector
Use this connector to attach the computer to an Ethernet-type local area network or to a cable modem.

Important: To operate the computer within FCC limits when it is connected to an Ethernet network, use a Category 5 Ethernet cable.
- 6** MIDI/joystick connector
Use this connector to attach a joystick, gamepad, or a musical instrument digital interface (MIDI) device such as a MIDI keyboard.
- 7** IEEE 1394 connector
This connector is sometimes called Firewire because it transmits data rapidly. There are two types of IEEE 1394 connectors: the 4-pin and the 6-pin. IEEE 1394 offers connection to several types of consumer electronics, including digital audio devices and scanners.

- Connect the power cords to properly grounded electrical outlets.



Turning on computer power

Turn on the monitor and other external devices first, and then turn on the computer. When the power-on self-test (POST) is finished, the logo window closes. If your computer has preinstalled software, the software installation program starts.

If you experience any problems during startup, refer to Chapter 10, “Getting information, help, and service,” on page 45. You can get additional help and information by telephone through the Customer Support Center. Refer to the safety and warranty information that is provided with your computer for the Service and Support worldwide telephone list.

Finishing the software installation

Important

Read the license agreements carefully before using the programs on this computer. These agreements detail your rights, obligations, and warranties for the software on this computer. By using these programs, you accept the terms of the agreements. If you do not accept the agreements, do not use the programs. Instead, promptly return the entire computer for a full refund.

The first time you start your computer, follow the instructions on the screen to complete the software installation. If you do not complete the software installation the first time the computer is turned on, unpredictable results might occur.

Note: Some models might have a multilingual version of Microsoft® Windows® operating system preinstalled. If your computer has the multilingual version, you will be prompted to choose a language during the installation process. After installation, the language version can be changed through the Windows Control Panel.

Completing important tasks

After you have set up your computer, perform the following tasks, which will save you time and trouble later:

- Create a diagnostic CD image, diagnostic diskettes, or rescue media. Diagnostic programs are used to test hardware components of your computer and report operating-system-controlled settings that can cause hardware failures. Making a diagnostic CD image, diagnostic diskettes, or rescue media ahead of time assures that you will be able to run diagnostics if the Rescue and Recovery workspace becomes inaccessible. See “PC-Doctor for DOS” on page 33 for more information. Also, see “Creating and using rescue media” on page 40.
- Record your computer machine type, model, and serial number. If you need service or technical support, you will probably be asked for this information. For further information, refer to the safety and warranty information that is provided with your computer.

Updating your operating system

Microsoft makes updates available for various operating systems through the Microsoft Windows Update Web site. The Web site automatically determines what Windows updates are available for your specific computer and lists those updates only. Updates could include security fixes, new versions of Windows components (such as media player), fixes to other portions of the Windows operating system, or enhancements.

Installing other operating systems

If you install your own operating system, follow the instructions that come with your operating system CDs or diskettes. Remember to install all device drivers after you install your operating system. Installation instructions are usually provided with the device drivers.

Updating your antivirus software

Your computer comes with antivirus software you can use to detect and eliminate viruses. Lenovo provides a full version of antivirus software on your hard disk drive with a free 90-day subscription. After 90 days, you must get a new virus definition.

Shutting down the computer

When you turn off your computer, always follow the shutdown procedure for your operating system. This prevents the loss of unsaved data or damage to your software programs. To shut down the Microsoft Windows Vista® operating system, open the **Start** menu from the Windows desktop, move the cursor to the arrow next to the lock workstation button, and select **Shut Down**.

Installing external options

For information about installing external options for your computer, refer to "Installing external options" in the *ThinkStation Hardware Installation and Replacement Guide* .

Features

This section provides an overview of the computer features and preinstalled software.

System information

The following information covers a variety of models. For information for your specific model, use the Setup Utility. See Chapter 5, “Using the Setup Utility,” on page 19.

Microprocessor

- Machine types 6423, 6439, and 6483: Intel Core™ 2
- Machine types 6427, 6449, and 6493: Intel Xeon®
- Internal cache (size varies by model type)

Memory

- Machine types 6423, 6439, and 6483 support for four double data rate 3 error correction code unbuffered dual inline memory modules (DDR3 EEC UDIMMs)
- Machine types 6427, 6449, and 6493 support for eight double data rate 2 fully buffered dual inline memory modules (DDR2 FBDIMMs)
- Flash memory for system programs (varies by model type)

Internal drives

- 3.5-inch, half-inch (slim) diskette drive (optional)
- Card reader (optional)
- Serial Advanced Technology Attachment (SATA) internal hard disk drive (some models)
- Serial attached SCSI (SAS) (some models)
- Optical drive (some models)

Video subsystem

- Graphics card (specified by customer)

Audio subsystem

- On-board high-definition audio
- Available PCI sound card
- Microphone and headphone connectors on the front panel
- Six ports on the rear panel
- Mono internal speaker (some models)

Connectivity

- Two 10/100/1000 Mbps integrated Ethernet controllers
- Peripheral Component Interconnect (PCI) V.90 Data/Fax modem (some models)

System management features

- Preboot Execution Environment (PXE) and Dynamic Host Configuration Protocol (DHCP)
- Wake on LAN®

- Wake on Ring (in the Setup Utility program, this feature is called Serial Port Ring Detect for an external modem)
- Remote Administration
- Automatic power-on startup
- System Management (SM) BIOS and SM software
- Ability to store power-on self-test (POST) hardware test results

Input/output features

- 9-pin serial connector
- Machine types 6427, 6449, and 6493, four rear and two front USB connectors
- Machine types 6423, 6439, and 6483, eight rear and two front USB connectors
- Ethernet connectors
- VGA or DVI monitor connector (requires video card)
- Machine types 6427, 6449, and 6493, eight audio connectors on the rear panel (7.1 analog out, 7.1 coax digital out, coax digital in, line-in, and microphone)
- Machine types 6423, 6439, and 6483, six audio connectors on the rear panel (5.1 analog out, 7.1 optical digital out, line-in, and microphone)
- Two audio connectors (microphone and headphone) on the front panel

Expansion for machine types 6423, 6439, and 6483

- Two optical drive bays
- One drive bay for either 3.5 inch diskette drive or a card reader
- Two 32-bit PCI adapter connectors
- One PCI Express x4 adapter connector (mechanical x16)
- Two PCI Express 2.0 x16 adapter connectors
- Three hard disk drive bays

Expansion for machine types 6427, 6449, and 6493

- Three optical drive bays
- One drive bay for either 3.5 inch diskette drive or a card reader
- One 32-bit PCI adapter connector
- Two PCI-X 133/100MHz adapter connector
- Two PCI Express x4 adapter connectors (mechanical x8)
- Five hard disk drive bays

Power

- Machine types 6423, 6439, and 6483 have a 650-watt power supply with auto-sensing voltage-selection switch
- Machine types 6427, 6449, and 6493 have a 1000-watt power supply with auto-sensing voltage-selection switch
- Automatic 50/60 Hz input frequency switching
- Advanced Configuration and Power Interface (ACPI) support

Security features

- User and administrator passwords for BIOS access
- Support for the addition of an integrated cable lock (Kensington lock)
- Keyboard with fingerprint reader (some models, see the ThinkVantage Productivity Center program for more information)

- Cover presence switch (some models)
- Startup sequence control
- Startup without diskette drive, keyboard, or mouse
- Unattended start mode
- Diskette and hard disk I/O control
- Serial and parallel port I/O control

Preinstalled software

Your computer might come with preinstalled software. If it does, an operating system, device drivers to support built-in features, and other support programs are included.

Operating systems, preinstalled (varies by model)

Note: Not all countries or regions have these operating systems.

- Microsoft Windows Vista[®] Ultimate

Operating systems, certified or tested for compatibility¹ (varies by model)

Microsoft Windows XP

1. The operating systems listed here are being certified or tested for compatibility at the time this publication goes to press. Additional operating systems might be identified by Lenovo as compatible with your computer following the publication of this booklet. Corrections and additions to this list are subject to change. To determine if an operating system has been certified or tested for compatibility, check the Web site of the operating system vendor.

Specifications

This section lists the physical specifications for all the ThinkStation machine types.

Dimensions machine types 6423, 6439, and 6483 tower:

Width: 175 mm (6.9 in.)

Height: 478 mm (18.8 in.) floor to top of handle

Depth: 460 mm (18.1 in.)

Weight machine types 6423, 6439, and 6483 tower:

Maximum configuration: 16.33 kg (36 lbs)

Dimensions machine types 6427, 6449, and 6493 tower:

Width: 210 mm (8 in.)

Height: 485 mm (19.1 in.)

Depth: 579 mm (22.8 in.)

Dimensions machine types 6427, 6449, and 6493 rack mounted:

Width: 427 mm (16.8 in.)

Height: 210 mm (8 in.)

Depth: 579 mm (22.8 in.)

Weight machine types 6427, 6449, and 6493 rack mounted:

Maximum configuration: 26.00 kg (57 lbs)

Environment

Air temperature:

Operating at 0 - 3000 ft (914.4 m): 10° to 35°C (50° to 95°F)

Operating at 3000 ft - 7000 ft (2134 m): 10° to 32°C (50° to 89.6°F)

Non-operating: 10° to 43°C (50° to 110°F)

Humidity:

Operating: 10% to 80%

Non-operating: 10% to 90%

Transit: 10% to 90%

Maximum altitude: 7000 ft (2133.6 m)

Electrical input machine types 6423, 6439, and 6483

Input voltage:

Range 100 V - 240 V

Input kilovolt-amperes (kVA) (approximate)

Minimum configuration as shipped: 0.17 kVA

Maximum configuration: 0.8 kVA

Electrical input machine types 6427, 6449, and 6493

Input voltage:

Range 100 V - 240 V

Input kilovolt-amperes (kVA) (approximate)

Minimum configuration as shipped: 0.17 kVA

Maximum configuration: 1.2 kVA

Chapter 4. Software overview

The ThinkStation is manufactured with the Windows Vista operating system and several preloaded applications. The applications can be specified by the client.

Software provided with your Windows operating system

This section describes the Windows Vista applications included with this product.

Software provided by Lenovo

This section describes software applications provided by Lenovo. The software applications installed on your computer might vary depending on your model.

ThinkVantage Productivity Center

The Productivity Center program guides you to a host of information and tools to help you set up, understand, maintain, and enhance your computer.

ThinkVantage Rescue and Recovery

The Rescue and Recovery program is a one button recovery and restore solution that includes a set of self-recovery tools to help users diagnose, get help, and recover from system crashes quickly, even if the primary operating system will not boot.

ThinkVantage Client Security Solution

This unique hardware-software combination is available on select Lenovo computers. It helps protect your information, including vital security information like passwords, encryption keys and electronic credentials, while guarding against unauthorized user access to data.

ThinkVantage System Update

System Update is a software program that helps you keep the software on your system current, by downloading and installing software packages (applications, device drivers, BIOS flashes and other updates). Some examples of software that you would like to keep updated are programs provided by Lenovo, such as the Rescue and Recovery program and the Productivity Center program.

System Migration Assistant

System Migration Assistant (SMA) is a software tool that enables system administrators and individual users to migrate a work environment from one computer to another.

Fingerprint software

Fingerprint software is operating system login only.

PC-Doctor for WINPE, PC-Doctor for Windows

This diagnostic program is preinstalled from the factory on your hard disk drive. PC-Doctor for Windows works through the Windows operating system to diagnose hardware problems and report operating-system-controlled settings that can cause hardware failures. See “PC-Doctor for Windows” on page 33 for more information.

Adobe Acrobat Reader

This program allows you to view, navigate and print pdf files. See “Online Books folder” on page 45 for more information about accessing the online books and the Lenovo Web site.

Chapter 5. Using the Setup Utility

The Setup Utility program is used to view and change the configuration settings of your computer, regardless of which operating system you are using. However, the operating-system settings might override any similar settings in the Setup Utility program.

Starting the Setup Utility program

To start the Setup Utility program, do the following:

1. If your computer is turned on when you start this procedure, shut down the operating system and turn off the computer.
2. Press and hold the F1 key then turn on the computer. When you hear multiple beeps, release the F1 key.

Notes:

- a. If you are using a USB keyboard and the Setup Utility program does not display using this method, repeatedly press and release the F1 key rather than leaving it pressed when turning on the computer.
- b. If a user password or an administrator password has been set, the Setup Utility program menu is not displayed until you type your password. For more information, see "Using passwords."

The Setup Utility might start automatically when POST detects that hardware has been removed or new hardware has been installed in your computer.

Viewing and changing settings

The Setup Utility program menu lists items that identify system configuration topics. To view or change settings, see "Starting the Setup Utility program."

When working with the Setup Utility program menu, you must use the keyboard. The keys used to perform various tasks are displayed at the bottom of each screen.

Using passwords

By using the Setup Utility program, you can set passwords to prevent unauthorized persons from gaining access to your computer and data. See "Starting the Setup Utility program." The following types of passwords are available:

- User Password
- Administrator Password

You do not have to set any passwords to use your computer. However, if you decide to set any passwords, read the following sections.

Password considerations

A password can be any combination of up to twelve characters (a-z and 0-9) and symbols. For security reasons, it is a good idea to use a strong password that cannot be easily compromised. Passwords should adhere to the following rules:

- Have at least eight characters in length

- Contain at least one alphabetic character, one numeric character, and one symbol
- Contain at least one of the following symbols: , . / ` ; ' []
- You can also use the space bar
- Setup Utility program and hard disk drive passwords are not case sensitive
- Not be your name or your user name
- Not be a common word or a common name
- Be significantly different from your previous password

User Password

When a User Password is set, the computer cannot be used until a valid password is typed from the keyboard.

Administrator Password

When an Administrator Password is set, it deters unauthorized persons from changing configuration settings. If you are responsible for maintaining the settings of several computers, you might want to set an Administrator Password.

After you set an Administrator Password, a password prompt is displayed each time you try to access the Setup Utility program.

If both the user and administrator passwords are set, you can type either password. However, to change any configuration settings, you must use your administrator password.

Setting, changing, and deleting a password

To set, change, or delete a password, do the following:

Note: A password can be any combination of up to twelve characters (A- Z, a-z, and 0-9). For more information, see “Password considerations” on page 19.

1. Start the Setup Utility program (see Chapter 5, “Using the Setup Utility,” on page 19).
2. From the Setup Utility program menu, select **Security** → **Set Passwords**.
3. Read the information displayed on the right side of the screen.

Selecting a startup device

If your computer does not start up (boot) from a device such as the CD-ROM, diskette, or hard disk drive as expected, use one of the following procedures to select a startup device.

Selecting a temporary startup device

Use this procedure to startup from any boot device.

Note: Not all CDs, hard disk drives, and diskettes are bootable.

1. Turn off your computer.
2. Press and hold the F12 key then turn on the computer. When the Startup Device Menu appears, release the F12 key.

Note: If you are using a USB keyboard and the Startup Device Menu does not display using this method, repeatedly press and release the F12 key rather than leaving it pressed when turning on the computer.

3. Select the desired startup device from the Startup Device Menu and press Enter to begin.

Note: Selecting a startup device from the Startup Device menu does not permanently change the startup sequence.

Selecting or changing the startup device sequence

To view or permanently change the configured startup device sequence, do the following:

1. Start the Setup Utility program (see “Starting the Setup Utility program” on page 19).
2. Select **Startup** → **Startup Sequence**, and see the information displayed on the right side of the screen.
3. Select the devices for the Primary Startup Sequence, the Automatic Startup Sequence, and the Error Startup Sequence.
4. Select **Exit** from the Setup Utility menu and then **Save Settings** or **Save and exit the Setup Utility**.

If you have changed these settings and want to return to the default settings, select **Load Default Settings** on the Exit menu.

Advanced settings

On some computer models, the Advanced settings menu includes a setting to Enable/Disable HyperThreading. This feature works only with HyperThreading-aware operating systems, such as Windows XP. The default setting for HyperThreading is Enabled. However, if you select **Set Defaults** and are using an operating system other than Windows XP, your computer performance might be degraded. Therefore, you should always set HyperThreading to Disabled unless you are sure your operating system supports HyperThreading.

Exiting from the Setup Utility program

After you finish viewing or changing settings, press Esc to return to the Setup Utility program menu (you might have to press Esc several times). If you want to save the new settings, select **Save Settings** or **Save and exit the Setup Utility**. Otherwise, your changes will not be saved.

Chapter 6. Installing and configuring RAID

This section contains information about attaching SATA devices and configuring RAID for this product.

Attaching SATA hard disk drives

You must attach the minimum number of SATA drives for the level of RAID.

- RAID Level 0: Two drives minimum
- RAID Level 1: Two drives
- RAID Level 5: Three drives minimum
- RAID Level 10: Four drives (Available for two-processor system only)

Configuring the system BIOS to enable embedded SATA RAID functionality

This section describes how to configure the BIOS for RAID.

1. Press F1 to enter the system BIOS setup.
2. Use the arrow key on the keyboard to select **Devices**, and press Enter.
3. Use the arrow keys to select **IDE Drive Setup**, and press Enter.
4. Use the arrow keys to select **SATA RAID**, and press Enter.
5. Use the up and down arrow to select **Enabled**.
6. Press F10 to save the new settings.

Creating RAID volumes

This section describes how to use the Intel Matrix Storage Manager option ROM Configuration Utility to create RAID volumes.

1. Press Ctrl+I when prompted to enter the Intel Matrix Storage Manager option ROM configuration Utility.

Note: To make enough physical drives available to create a RAID volume, see “Deleting RAID volumes” on page 24.
2. Use the arrow keys to select **Create RAID Volume**, and press Enter.
3. Type a RAID Volume name in the **Name** field, and press Tab.
4. Use the arrow keys to select a RAID level in the **RAID Level** field, and press Tab.
5. If appropriate, use the arrow keys to select the Stripe Size in the **Stripe Size** field, and press Tab.
6. Type a volume size in the **Capacity** field, and press Tab.
7. To initiate volume creation, press Enter.
8. When prompted, press Y to accept the warning message and create the volume.
9. To create additional RAID volumes, return to step 3 or select **Exit** and press Enter.
10. Press Y when prompted to confirm the exit.

Deleting RAID volumes

This section describes how to use the Intel Matrix Storage Manager option ROM Configuration Utility to delete RAID volumes.

1. Press Ctrl+I when prompted to enter the Intel Matrix Storage Manager option ROM Configuration Utility.
2. Use the arrow keys to select the RAID volume to be deleted, and press Delete.
3. When prompted, press Y to confirm the deletion of the selected RAID volume.
4. After deleting a RAID volume, you can:
 - Return to step 1 to delete additional RAID volumes.
 - See “Creating RAID volumes” on page 23 for RAID volume creation.
 - Use the arrow keys to select **Exit** and press Enter.
 - Use the arrow keys to select **Reset Disks to Non-RAID**, and press Enter.
 - a. Use the arrow keys and space to mark individual physical disks to be reset.
 - b. Use the space key to select, and then press Enter to complete the selection.
 - c. When prompted, press Y to confirm the reset action.
 - d. After completing the Reset Disks to Non-RAID function, you can:
 - Return to step 1 to delete additional RAID volumes.
 - See “Creating RAID volumes” on page 23 for RAID volume creation.
 - Use the arrow keys to select **Exit** and press Enter.

SUPPORTED SAS RAID configurations

This section provides information that is applicable only for a Windows environment. For information about configuring RAID in a Linux environment, contact your Linux software provider.

The following RAID configurations are supported on the Lenovo ThinkStation:

- RAID Level 0 – Striped disk array
 - Two drives minimum.
 - Better performance and no fault tolerance.
- RAID Level 1 – Mirrored disk array
 - Two drives.
 - Improved read performance and 100% redundancy.
- RAID Level 1E (1 Enhanced)
 - Three drives minimum
 - Can always recover from a single drive failure and, in some cases, can recover from two drives.
 - High Performance.

Configuring the system BIOS to enable SAS RAID functionality

This section describes how to configure the system BIOS to enable SAS RAID functionality.

1. Press F1 to enter the system BIOS setup.
2. Use the arrow keys on the keyboard to select **Advanced**, and press Enter.
3. Use the arrow keys to select the **LSI SAS Interface**, and press Enter.

4. Use the up and down arrow to select **Enabled**, and press F10 to save the new settings.

Configuring the system BIOS to enable SAS RAID 0 functionality

To configure the system BIOS to enable SAS RAID 0 functionality, use the LSI Logic Config Utility as the SAS Configuration Utility. This utility assumes that the system has the required number of disks.

1. Press Ctrl +C when prompted to start the LSI Logic Config Utility.
2. On the Adapter Properties screen, use the arrow key to select **RAID Properties**, and press Enter. The RAID Properties screen is displayed.
3. Use the arrow key to select the first disk for the **IS (Stripe) volume**.
4. Use the arrow keys to move the Array Disk column for this disk, and press +, -, or the space key to select **Yes**.

Note: If a partition is defined on the disk, a message warns you that the data will be lost when the striped volume is created.

5. Press M to Migrate, or D to delete the data on the drive.
6. Repeat the previous steps to select up to three more disks for the stripe volume.
7. Press C to create the array after all drives have been chosen, and select **Save Changes**. Exit this menu, press Enter, and select **Save**.
8. Repeat Step 4 and select **View Existing Array** to view the new Array.
9. To delete the new array, select **Manage Array**, and press Y.

Configuring the system BIOS to enable SAS RAID 1 functionality

To configure the system BIOS to enable SAS RAID 1 functionality, use the LSI Logic Config Utility as the SAS Configuration Utility. This utility assumes that the system has the required number of disks.

1. Press Ctrl +C when prompted to start the LSI Logic Config Utility.
2. On the Adapter Properties screen, use the arrow key to select **RAID Properties**.
3. Press Enter to go to the RAID Properties screen.
4. On the RAID Properties screen, use the arrow keys to select the first disk (primary disk) for the IM (Mirror) volume, the disk with the data that you want to mirror.
5. Then use the arrow keys to move the Array Disk column for this disk, and press the Space key to select **Yes**.

Note: If a partitions is defined on the disk, a message warns you that the data will be lost when the striped volume is created.

6. Press M to Migrate, or D to delete the data on the drive.
7. When the Keep Data/Erase Disk message is displayed, press F3 to keep the data currently on this disk. The value in the Array Disk column changes to Primary.
8. Use the arrow keys to select the secondary (mirrored) disk for the IM volume. Select **Yes** as the value for the Array Disk column.

Note: If a partition is defined on the disk, a message warns you that the data will be lost when the mirrored volume is created.

9. Press Delete to confirm erasing data from the disk.

Configuring a mirrored volume with three to five disks, with an optional hot spare disk:

To configure a mirrored volume with three to five disks, with an optional hot spare disk:

1. On the RAID Properties screen, use the arrow key to select the first disk for the IM (Mirror) volume.
2. Use the arrow keys to move to the Array Disk column for this disk, and use the + and – keys to select **Yes** as the value.
3. When the Keep Data/Erase Disk message appears, press Delete to erase the disk.
4. Use the arrow keys to select the next disk for the IM volume. Select Yes as the value for the Array Disk column.

Note: If a partition is defined on the disk, a message warns you that the data will be lost when the mirrored volume is created.

5. Press Delete to confirm erasing data from the disk.
6. Repeat the previous steps to select up to four more disks for the IM volume. If you want to configure a hot spare disk for the volume, you can select up to three more disks.
7. (Optional) Use the arrow keys to select a hot spare disk for the IM volume. Select **Yes** as the value for the Hot Spare column.
8. When you have selected all disks for the IM volume, Press C to create the array after all drives have been chosen, and then select **Save Changes** to exit this menu. Press Enter and select **Save**.
9. Repeat Step 1 above and select **View Existing Array** to view the New Array.
10. To Delete the New Array, select **Manage Array**.
11. Then press Y to delete the New Array and exit the Adapter properties screen.

Configuring the system BIOS to enable SAS RAID 1E functionality

To configure the system BIOS to enable SAS RAID 1E functionality, use the LSI Logic Config Utility as the SAS Configuration Utility. This utility assumes that the system has the required number of disks.

1. Press Ctrl+C when prompted to start the LSI Logic Config Utility.
2. On the Adapter Properties screen, use the arrow key to select **RAID Properties**.
3. Press Enter to go to the RAID Properties screen. Continue with step 4 through 9 to configure a two-disk mirrored volume.
4. On the RAID Properties screen, use the arrow key to select the first disk for the IME (Mirror) volume, the disk with the data that you want to mirror.
5. Use the arrow keys to move the Array Disk column for this disk, and press Space, + or - key to select **Yes**.

Note: If a partition is defined on the disk, a message warns you that the data will be lost when the striped volume is created.

6. Press M to Migrate, or D to delete the data on the drive.

7. When the Keep Data/Erase Disk message is displayed, press F3 to keep the data currently on this disk. The value in the Array Disk column changes to Primary.
8. Use the arrow keys to select the secondary (mirrored) disk for the IM volume. Select **Yes** as the value for the Array Disk column.

Note: If a partition is defined on the disk, a message warns you that the data will be lost when the mirrored volume is created. Press Delete to confirm erasing data from the disk. To configure a mirrored volume with the three to five disks, with an optional hot spare disk, see “Configuring a mirrored volume with three to five disks, with an optional hot spare disk:” on page 26.

9. On the RAID Properties screen, use the arrow key to select the first disk for the IME volume.
10. Use the arrow keys to move to the Array Disk column for this disk, and use the + and – keys to select **Yes** as the value.
11. When the Keep Data/Erase Disk message is displayed, press Delete to erase the disk.
12. Use the arrow keys to select the next disk for the IME volume. Select **Yes** as the value for the Array Disk column.

Note: If a partition is defined on the disk, a message warns you that the data will be lost when the mirrored volume is created. Press Delete to confirm erasing data from the disk.

13. Repeat the previous steps to select up to four more disks for the IME volume. If you want to configure a hot spare disk for the volume, you can select up to three more disks.
14. (Optional) Use the arrow keys to select a hot spare disk for the IME volume. Select **Yes** as the value for the Hot Spare column.
15. When you have selected all disks for the IM volume, Press C to create the array after all drives have been chosen, and then select **Save Changes** to exit this menu. Press Enter and select **Save**.
16. Repeat Step 1 above and select **View Existing Array** to view the New Array.
17. To delete the New Array, select **Manage Array**.
18. Press Y to delete the New Array and exit the Adapter properties screen.

Chapter 7. Updating system programs

This chapter contains information about updating POST/BIOS and how to recover from a POST/BIOS update failure.

Using system programs

System programs are the basic layer of software built into your computer. They include the power-on self-test (POST), the basic input/output system (BIOS) code, and the Setup Utility program. POST is a set of tests and procedures that is performed each time you turn on your computer. BIOS is a layer of software that translates instructions from other layers of software into electrical signals that the computer hardware can execute. You can use the Setup Utility program to view and change the configuration and setup of your computer.

Your computer system board has a module called electrically erasable programmable read-only memory (EEPROM, also referred to as flash memory). You can easily update POST, BIOS, and the Setup Utility program by starting your computer using a flash update diskette or by running a special update program from your operating system.

Lenovo might make changes and enhancements to the POST/BIOS. When updates are released, they are available as downloadable files on the Lenovo Web site at: <http://www.lenovo.com>

Instructions for using the POST/BIOS updates are available in a .TXT file that is included with the update files. For most models, you can download either an update program to create a system-program-update (flash) diskette or an update program that can be run from the operating system.

Note: You can download a self-starting bootable CD image (known as an .iso image) of the diagnostics program from <http://www.lenovo.com> to support systems without a diskette drive.

Updating (flashing) BIOS from a diskette or CD-ROM

This section describes how to update (flash) the BIOS using a diskette or CD-ROM. System program updates are available at: <http://www.lenovo.com/support/>

1. To update (flash) the BIOS:
 - From a diskette, make sure the computer is turned off and insert a system program update (flash diskette). Then turn the computer on. The update begins.
 - From a CD-ROM, make sure the computer is turned on. Insert the CD-ROM into the optical drive.
2. Turn on the computer. If it is on already, you must turn it off and back on again. The update begins.
3. When you are prompted to select a language, press the number on your keyboard that corresponds to the language and then press Enter.
4. When prompted to change the serial number, press Y.
5. Type in the seven character serial number of your computer and then press Enter.

6. When prompted to change the machine type/model, press Y.
7. Type in the seven character machine type/model of your computer and then press Enter.
8. Follow the instructions on the screen to complete the update.

Updating (flashing) BIOS from your operating system

Note: Due to the constant improvements made to the Web site, Web page content (including the links referenced in the following procedure) is subject to change.

1. From your browser, type <http://www.lenovo.com/support> in the address field and press Enter.
2. Locate the Downloadable files for your machine type as follows:
 - a. Type your machine type and click **Go** → **Continue** → **Downloads and drivers**.
 - b. Under the BIOS category, click the Flash BIOS update.
 - c. Click the .TXT file that contains the installation instructions for the flash BIOS update (flash from the operating system version).
3. Print these instructions. This is very important since they are not on the screen after the download begins.
4. From your browser, click **Back** to return to the list of files. Carefully follow the printed instructions to download, extract, and install the update.

Chapter 8. Troubleshooting and diagnostics

This chapter describes some basic troubleshooting and diagnostic programs. If your computer problem is not described here, see Chapter 10, "Getting information, help, and service," on page 45 for additional troubleshooting resources.

Basic troubleshooting

The following table provides information to help you troubleshoot your computer problem.

Symptom	Action
The computer does not start when you press the power button.	<p>Verify that:</p> <ul style="list-style-type: none">• The power cord is plugged into the rear of the computer and into a working electrical outlet.• If your computer has a secondary power switch on the back of the computer, make sure that it is switched on.• The power indicator on the front of the computer is on. <p>If you cannot correct the problem, have the computer serviced. Refer to the safety and warranty information that is provided with your computer for a list of service and support telephone numbers.</p>
The monitor screen is blank.	<p>Verify that:</p> <ul style="list-style-type: none">• The monitor cable is securely attached to the rear of the monitor and to the rear of the computer.• The monitor power cord is plugged into the monitor and into a working electrical outlet.• The monitor is turned on and the brightness and contrast controls are set correctly.• The monitor signal cable is securely connected to the monitor and to the monitor connector on the computer. <p>If you cannot correct the problem, have the computer serviced. Refer to the safety and warranty information that is provided with your computer for a list of service and support telephone numbers.</p>
The keyboard does not work. The computer does not respond to the keyboard.	<p>Verify that:</p> <ul style="list-style-type: none">• The computer is turned on.• The monitor is turned on and the brightness and contrast controls are set correctly.• The keyboard is securely connected to the keyboard connector on the computer.• No keys are stuck. <p>If you cannot correct the problem, have the computer serviced. Refer to the safety and warranty information that is provided with your computer for a list of service and support telephone numbers.</p>

Symptom	Action
The USB Keyboard does not work.	<p>Verify that:</p> <ul style="list-style-type: none"> • The computer is turned on. • The keyboard is securely connected to a USB connector on the front or rear of the computer. • No keys are stuck. <p>If you cannot correct the problem, have the computer serviced. Refer to the safety and warranty information that is provided with your computer for a list of service and support telephone numbers.</p>
The mouse does not work. The computer does not respond to the mouse.	<p>Verify that:</p> <ul style="list-style-type: none"> • The computer is turned on. • The mouse is securely connected to the mouse connector on the computer. • The mouse is clean. Refer to “Cleaning the mouse” on page 35 for further information. <p>If you cannot correct the problem, have the computer serviced. Refer to the safety and warranty information that is provided with your computer for a list of service and support telephone numbers.</p>
The operating system will not start.	<p>Verify that:</p> <ul style="list-style-type: none"> • There is no diskette in the diskette drive. • The startup sequence includes the device where the operating system resides. Usually, the operating system is on the hard disk drive. For more information, see “Selecting a startup device” on page 20. <p>If you cannot correct the problem, have the computer serviced. Refer to the safety and warranty information that is provided with your computer for a list of service and support telephone numbers.</p>
The computer beeps multiple times before the operating system starts.	<p>Verify that no keys are stuck down.</p> <p>If you cannot correct the problem, have the computer serviced. Refer to the safety and warranty information that is provided with your computer for a list of service and support telephone numbers.</p>

Diagnostic programs

Diagnostic programs are used to test hardware components of your computer and report operating-system-controlled settings that can cause hardware failures. There are two diagnostic programs preinstalled on your computer to help you diagnose problems:

- PC-Doctor for Windows (used when diagnosing problems while running the Windows operating system)
- PC-Doctor for Windows PE (used when your Windows operating system will not start)

Notes:

1. You can also download the latest version of the PC-Doctor for Windows and PC-Doctor for DOS diagnostic programs from:
<http://www.lenovo.com/support/>
2. If you are unable to isolate and repair the problem yourself by running the applicable version of PC-Doctor, click the Save Button in the PC-Doctor-log-file display. You will need to have all problem-related log files available when you speak to a Lenovo technical support representative.

PC-Doctor for Windows

PC-Doctor for Windows is a diagnostic program that works through the Windows operating system. The PC-Doctor for Windows diagnostic program enables you to view symptoms and solutions for computer problems, access the Lenovo troubleshooting center, update system drivers, and review system information.

To run PC-Doctor for Windows, click **Start** → **All Programs** → **PC-Doctor for Windows** → **PC-Doctor for Windows**. Follow the instructions on the screen. For additional information about running the diagnostic program, refer to the PC-Doctor for Windows help system.

If you still suspect a problem after PC-Doctor for Windows runs successfully, run PC-Doctor for DOS or PC-Doctor for Windows PE to help you diagnose the computer problem.

PC-Doctor for Windows also has problem determination aids that determine software and usage problems.

PC-Doctor for Windows PE

The PC-Doctor for Windows PE diagnostic program is part of the Rescue and Recovery workspace on each Lenovo computer. Use PC-Doctor for Windows PE, if you are unable to start the Windows operating system or if PC-Doctor for Windows has not been successful in isolating a possible problem.

Running diagnostics from the Rescue and Recovery workspace

You can run the PC-Doctor for Windows PE diagnostic program from the Rescue and Recovery workspace. To run diagnostics from the Rescue and Recovery workspace, use the following procedure:

1. Shut down the operating system and turn off the computer.
2. Repeatedly press and release the F11 key as you turn on the computer.
3. When you hear beeps or see a logo screen, stop pressing the F11 key. The Rescue and Recovery workspace opens.
4. From the Rescue and Recovery workspace, select **Diagnose hardware**.
5. The diagnostic program opens automatically. Select the diagnostic test you want to run. Press the F1 key for additional help.
6. Follow the instructions on the screen.

Note: Rescue media includes PC-Doctor for Windows PE. For more information about rescue media, see the *User Guide* for the computer.

PC-Doctor for DOS

Use PC-Doctor for DOS, if you are unable to start the Windows operating system or if PC-Doctor for Windows has not been successful in isolating a possible problem. You can run PC-Doctor for DOS from a diagnostic CD image or diagnostic diskettes that have been created.

Note: It is important to create a diagnostic CD image or diagnostic diskettes in case PC-Doctor for Windows PE cannot be run from the Rescue and Recovery workspace.

Creating a diagnostic CD image

To create a diagnostic CD image, download a self-starting bootable CD image (known as an .iso image) of the diagnostic program from <http://www.lenovo.com/support/>. After you download the image, you can create the CD using any CD burning software.

If the computer does not have a CD burner or you do not have Internet access, see “Creating diagnostic diskettes.”

Creating diagnostic diskettes

To create diagnostic diskettes, download the PC-Doctor for DOS diagnostic program from <http://www.lenovo.com/support/> onto two blank, formatted diskettes.

If you do not have Internet access, create the diagnostic diskettes using the following procedure:

Note: You will need a diskette drive on the computer or a USB diskette drive to complete this procedure.

1. Shut down the operating system and turn off the computer.
2. If you are using a USB diskette drive, plug it into the computer.
3. Repeatedly press and release the F11 key as you turn on the computer.
4. When you hear beeps or see a logo screen, stop pressing the F11 key. The Rescue and Recovery workspace opens.

Note: For some models, press the Esc key to enter Rescue and Recovery.

5. From the Rescue and Recovery workspace, select **Create diagnostic disks**.
6. Follow the instructions on the screen.
7. When prompted, insert a blank, formatted diskette into the diskette drive and continue to follow the instructions on the screen.
8. When the operation is complete, remove the diskette and click **Quit**.
9. Insert another blank, formatted diskette into the diskette drive and continue to follow the instructions on the screen.
10. When the operation is complete, remove the diskette and click **Quit**.

Running diagnostics from the CD or diskettes

To run diagnostics from the diagnostic CD image or diagnostic diskettes that you created, use the following procedure:

1. Make sure the computer is turned off.
2. If you are running diagnostics from diskettes using a USB diskette drive, plug in the USB device.
3. Insert the CD into the optical drive or the first diagnostic diskette into the diskette drive.
4. Restart the computer.

Note: If the diagnostic program does not start, you might not have your optical drive or diskette drive set as a startable device. See “Selecting a startup device” on page 20 for instructions on how to change the startup device.

5. When the diagnostics program opens, follow the instructions on the screen.

Note: If you are running diagnostics from a diskette, when prompted, remove the first diskette and insert the second diskette.

6. When the program finishes, be sure to remove the CD or diskette from the drive.
7. Select the diagnostic test you want to run. Press the F1 key for additional help.

Cleaning the mouse

This section provides instructions on how to clean an optical or non-optical mouse.

Optical mouse

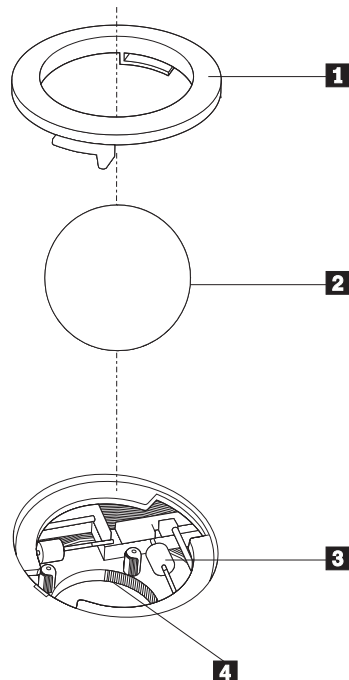
An optical mouse uses a light-emitting diode (LED) and an optical sensor to navigate the pointer. If the pointer on the screen does not move smoothly with the optical mouse, you might need to clean the mouse. To clean the optical mouse:

1. Turn off your computer.
2. Disconnect the mouse cable from the computer.
3. Turn the mouse upside down to look at the lens.
 - a. If there is a smudge on the lens, gently clean the area with a plain cotton-tipped swab.
 - b. If there is debris in the lens, gently blow the debris away from the area.
4. Check the surface on which you are using the mouse. If you have a very intricate picture or pattern beneath the mouse it may be difficult for the digital signal processor (DSP) to determine changes in the mouse position.
5. Reconnect the mouse cable to the computer.
6. Turn your computer back on.

Non-optical mouse

The non-optical mouse uses a ball to navigate the pointer. If the pointer on the screen does not move smoothly with the mouse, you might need to clean the mouse. To clean the non-optical mouse:

Note: The following illustration might be slightly different from your mouse.



- 1** Retainer ring
- 2** Ball
- 3** Plastic rollers
- 4** Ball cage

To clean a mouse with a ball, follow the instructions below:

1. Turn off your computer.
2. Disconnect the mouse cable from the computer.
3. Turn the mouse upside down. Twist the retainer ring **1** to the unlocked position to remove the ball.
4. Place your hand over the retainer ring and ball **2**, and then turn the mouse right-side up, so that the retainer ring and ball fall out into your hand.
5. Wash the ball in warm, soapy water then dry it with a clean cloth.
6. Blow air carefully into the ball cage **4** to dislodge dust and lint.
7. Look for a build up of dirt on the plastic rollers **3** inside the ball cage. This build up usually appears as a stripe running across the middle of the rollers.
8. If the rollers are dirty, clean them by using a cotton swab soaked in isopropyl (rubbing) alcohol. Turn the rollers with your finger and continue swabbing them until all the dirt is removed. Be sure the rollers are still centered in their channels after you clean them.
9. Remove any fibers from the swab that might be remaining on the rollers.
10. Replace the ball and the retainer ring. Twist the retainer ring to the locked position.
11. Reconnect the mouse cable to the computer.
12. Turn your computer back on.

Chapter 9. Recovering software

This chapter will help you become familiar with recovery solutions provided by Lenovo. This chapter explains how and when to use the following recovery methods:

- Creating and using Product Recovery discs
- Performing backup and recovery operations
- Using the Rescue and Recovery workspace
- Creating and using rescue media
- Creating and using a Recovery Repair diskette
- Recovering or installing device drivers
- Setting a rescue device in the startup sequence
- Solving recovery problems

Note: There are a variety of methods to choose from when considering how to recover software in the event of a software or hardware-related problem. Some methods vary depending on the type of operating system you have.

Creating and using the Product Recovery disc

If your computer is equipped with a recordable CD or DVD drive, you can create a set of Product Recovery discs that enables you to restore the contents of the hard disk drive to the same state as when the computer was originally shipped from the factory. Product Recovery discs are useful if you transfer the computer to another area, sell the computer, recycle the computer, or as a last resort put the computer in an operational state after all other methods of recovery have failed. As a precautionary measure, it is important to create a set of Product Recovery discs as soon as possible.

Note: The recovery operations you can perform using Product Recovery discs vary depending on the operating system from which they were created. Your Microsoft Windows license permits you to create only one set of Product Recovery discs, so it is important that you store the discs in a safe place after you make them.

To create Product Recovery discs, do the following:

1. From the Windows desktop, click **Start** → **All Programs** → **ThinkVantage** → **Create Recovery Media**.
2. Follow the instructions on the screen.

The following list explains how Product Recovery discs are used on different operating systems:

- Windows XP: Use Product Recovery discs to restore your computer to the original factory contents, perform a custom factory recovery, or to perform other rescue and recovery operations such as rescuing individual files.
- Windows Vista: Use Product Recovery discs to restore your computer to the original factory contents only.

When using Product Recovery discs on Windows XP, you are given the option to enter the Rescue and Recovery workspace and choose from a variety of recovery

operations. When using Product Recovery discs on Windows Vista, you are prompted to insert your Product Recovery discs and are guided through the process of restoring from original factory contents only.

To use Product Recovery discs on Windows XP, do the following:

Attention: When you restore the factory contents from the Product Recovery discs, all files currently on the hard disk drive will be deleted and replaced by the original factory contents. During the restore process, you will be given the opportunity to save one or more files currently on your hard disk drive to other media before any data is removed.

1. Insert Product Recovery disc 1 into your CD or DVD drive.
2. Restart your computer.
3. After a short delay, the Rescue and Recovery workspace opens.

Note: If the Rescue and Recovery workspace fails to open, you might not have your startup device (CD drive or DVD drive) set correctly in your BIOS startup sequence. For more information, see “Setting a rescue device in the startup sequence” on page 43.

4. In the Rescue and Recovery menu, click **Restore your system**.
5. Follow the instructions on the screen. Insert the appropriate Product Recovery disc when prompted.

Note: After restoring your hard disk drive to the original factory content, you might have to reinstall some software or drivers. See “Using the Rescue and Recovery workspace” on page 39 for details.

To use Product Recovery discs on Windows Vista, do the following:

Attention: When you restore the factory contents from the Product Recovery discs, all files currently on the hard disk drive will be deleted and replaced by the original factory contents.

1. Insert Product Recovery disc 1 into your CD or DVD drive.
2. Restart your computer.
3. Follow the instructions on the screen. Insert the appropriate Product Recovery disc when prompted.

Note: After restoring your hard disk drive to the original factory content, you might have to reinstall some software or drivers. See “Using the Rescue and Recovery workspace” on page 39 for details.

Performing backup and recovery operations

The Rescue and Recovery program enables you to back up your complete hard disk drive contents including the operating system, data files, application programs, and personal settings. You can designate where the Rescue and Recovery program stores the backup:

- On a protected area of your hard disk drive
- On a second hard disk drive installed in your computer
- On an externally attached USB hard disk drive
- On a network drive
- On recordable CDs or DVDs (a recordable CD or DVD drive is required for this option)

After you have backed up your hard disk drive, you can restore the complete contents of the hard disk drive, restore selected files only, or restore only the Windows operating system and applications.

To perform a backup operation using the Rescue and Recovery program, do the following:

1. From the Windows desktop, click **Start → All Programs → ThinkVantage → Rescue and Recovery**. The Rescue and Recovery program opens.
2. From the Rescue and Recovery main window, click **Back up your hard drive** select backup operation options.
3. Follow the instructions on the screen.

To perform a restore operation using the Rescue and Recovery program, do the following:

1. From the Windows desktop, click **Start → All Programs → ThinkVantage → Rescue and Recovery**. The Rescue and Recovery program opens.
2. From the Rescue and Recovery main window, click **Restore your system from a backup** icon.
3. Follow the instructions on the screen.

For information about performing a restore operation from the Rescue and Recovery workspace, see “Using the Rescue and Recovery workspace.”

Using the Rescue and Recovery workspace

The Rescue and Recovery workspace resides in a protected, hidden area of your hard disk drive that operates independently from the Windows operating system. This enables you to perform recovery operations even if the Windows operating system cannot be started. You can perform the following recovery operations from the Rescue and Recovery workspace:

- **Rescue files from your hard disk drive or from a backup:** The Rescue and Recovery workspace enables you to locate files on your hard disk drive and transfer them to a network drive or other recordable media, such as a USB hard disk drive or a diskette. This solution is available, even if you did not back up your files or if changes were made to the files since your last backup operation. You also can rescue individual files from a Rescue and Recovery backup located on your local hard disk drive, a USB device, or a network drive.
- **Restore your hard disk drive from a Rescue and Recovery backup:** When you perform a backup operation using the Rescue and Recovery program, you can perform restore operations from the Rescue and Recovery workspace, even if you cannot start the Windows operating system.
- **Restore your hard disk drive to the factory contents:** The Rescue and Recovery workspace enables you to restore the complete contents of your hard disk drive to the same state as it was when originally shipped from the factory. If you have multiple partitions on your hard disk drive, you have the option to restore the factory contents to the C: partition and leave the other partitions intact. Because the Rescue and Recovery workspace operates independently from the Windows operating system, you can restore the factory contents even if you cannot start the Windows operating system.

Attention: If you restore the hard disk drive from a Rescue and Recovery backup or restore the hard disk drive to the factory contents, all files on the primary hard disk drive partition (usually drive C) will be deleted in the recovery process. If possible, make copies of important files. If you are unable to start the Windows operating system, you can use the Rescue files feature in the Rescue and Recovery workspace to copy files from your hard disk drive to other media.

To start the Rescue and Recovery workspace, do the following:

1. Turn off your computer.
2. Restart your computer.
3. Repeatedly press and release the F11 key.
4. When you hear beeps or see a logo screen, release the F11 key.
5. If you set a Rescue and Recovery password, type your password when prompted. The Rescue and Recovery workspace opens after a short delay.

Note: If the Rescue and Recovery workspace fails to open, see “Solving recovery problems” on page 43.

6. Do one of the of the following:
 - To rescue files from your hard disk drive or from a backup, click **Rescue files**; then, follow the instructions on the screen.
 - To restore your hard disk drive from a Rescue and Recovery backup or to restore your hard drive to the factory contents, click **Restore your system**; then, follow the instructions on the screen.
 - For information about other features of the Rescue and Recovery workspace, click **Help**.

Notes:

1. After restoring a hard disk drive to the original factory contents you might have to reinstall device drivers for some devices. See “Recovering or installing device drivers” on page 42.
2. Some computers come with Microsoft Office or Microsoft Works preinstalled. If you need to recover or reinstall your Microsoft Office or Microsoft Works applications, you must use the *Microsoft Office CD* or *Microsoft Works CD*. These CDs are provided only with computers that come with Microsoft Office or Microsoft Works preinstalled.

Creating and using rescue media

Rescue media such as a CD or USB hard disk drive enables you to recover from failures that prevent you from gaining access to the Rescue and Recovery workspace on your hard disk drive.

Note: The recovery operations you can perform using rescue media vary depending on the operating system. The rescue disc can be started in any type of CD or DVD. Rescue media also contains a PC-Doctor diagnostics program, which enables you to run diagnostics from the rescue media.

To create rescue media, do the following:

1. From the Windows desktop, click **Start** → **All Programs** → **ThinkVantage** → **Create Recovery Media**.
2. In the **Rescue Media** area, select the type of rescue media you want to create. You can create rescue media using a CD, USB hard drive, or a second internal hard disk drive.
3. Click **OK**.
4. Follow the instructions on the screen.

The following list explains how Product Recovery discs are used on different operating systems:

- Windows XP: Use Product Recovery discs to restore your computer to the original factory contents, perform a custom factory recovery, or to perform other rescue and recovery operations such as rescuing individual files.
- Windows Vista: Use rescue media to perform all recovery operations except the ability to restore to the original factory contents and custom factory recovery.

To use rescue media, do one of the following:

- If your rescue media is on CDs or DVDs, insert the rescue disc and restart your computer.
- If your rescue media is on a USB hard disk drive, attach your USB hard disk drive to one of the USB connectors on your computer, then restart on your computer.
- If you are using a second internal hard disk drive, set the startup sequence to start from that drive.

When the rescue media starts, the Rescue and Recovery workspace opens. Help for each feature is available from the Rescue and Recovery workspace. If your rescue media fails to start, you might not have your rescue device (CD drive, DVD drive, or USB device) set correctly in your BIOS startup sequence. For more information, see "Setting a rescue device in the startup sequence" on page 43.

Creating and using a Recovery Repair diskette

If you are unable to access the Rescue and Recovery workspace or the Windows environment, use a Recovery Repair diskette to repair the Rescue and Recovery workspace or repair a file needed to enter the Windows environment. It is important to create a Recovery Repair diskette as soon as possible and store it in a safe place as a precautionary measure.

To create a Recovery Repair diskette, do the following:

1. Start your computer and operating system.
2. Using an Internet browser, go to the following Web address:

<http://www.lenovo.com/think/support/site.wss/document.do?Indocid=MIGR-54483>

3. Insert a diskette into diskette drive A. Information on the diskette will be erased and the diskette will be formatted appropriately.
4. Double-click on the appropriate file name. The diskette is created.
5. Take out the diskette and label it Recovery Repair diskette.

To use the Recovery Repair diskette, do the following:

1. Shut down the operating system and turn off the computer.

2. Insert the Recovery Repair diskette into diskette drive A.
3. Turn on the computer and follow the instructions on the screen.

Note: If the repair operation finishes without error, you will be able to access the Rescue and Recovery workspace by repeatedly pressing the F11 key while you restart your computer. When you hear beeps or see a logo screen, release the F11 key. You will also be able to access the Windows environment after the repair operation finishes.

If an error message appears during the repair operation and the repair operation cannot be completed, you might have a problem with the partition that contains the Rescue and Recovery workspace. Use your rescue media to access the Rescue and Recovery workspace. For information about creating and using rescue media, see “Creating and using rescue media” on page 40.

Recovering or installing device drivers

Before you can recover or install device drivers, your operating system must be installed on your computer. Make sure that you have the documentation and software media for the device.

Device drivers for factory-installed devices are located on the computer hard disk drive (usually drive C) in the SWTOOLS\drivers folder. Other device drivers are on the software media that come with individual devices.

The latest device drivers for factory-installed devices also are available at:
<http://www.lenovo.com/think/support/>

To reinstall a device driver for a factory-installed device, do the following:

1. Start your computer and operating system.
2. Use Windows Explorer or My Computer to display the directory structure of your hard disk drive.
3. Open the C:\SWTOOLS folder.
4. Open the DRIVERS folder. Within the DRIVERS folder are several subfolders that are named for various devices that are installed in your computer (for example, AUDIO or VIDEO).
5. Open the appropriate device subfolder.
6. Use one of the following methods to reinstall the device driver:
 - In the device subfolder, look for a README.TXT or other file with the .TXT extension. This file might be named after the operating system, such as WIN98.TXT. The text file has information on how to reinstall that device driver.
 - If the device subfolder contains a file with an .INF extension, you can use the Add New Hardware program (located in the Windows Control Panel) to reinstall the device driver. Not all device drivers can be reinstalled using this program. In the Add New Hardware program, when prompted for the device driver that you want to install, click **Have Disk** and **Browse**. Then select the appropriate device driver file from the device subfolder.
 - In the device subfolder, look for a SETUP.EXE file. Double-click **SETUP.EXE** and follow the instructions on the screen.

Setting a rescue device in the startup sequence

Before you start the Rescue and Recovery program from a CD, DVD, USB hard disk drive, or any external device, you must first change the startup sequence in the Setup Utility.

To view or change the startup sequence, do the following:

1. With the computer turned off, repeatedly press and release the F1 key while you turn on the computer.
2. When the logo screen appears, or you hear a series of beeps, release the F1 key.
3. If you are prompted for a password, type your current password.
4. From the Setup Utility main menu, use the right-arrow key to select **Startup**.
5. Arrange the startup sequence to meet your needs.
6. Press the Esc key twice to go to the Setup Utility exit menu.
7. Use the down-arrow key to select Save and exit the Setup Utility, then press Enter.
8. When the Setup Confirmation window appears, press Enter.
9. The computer restarts.

Note: If you are using an external device, you first must turn off your computer before connecting the external device.

For more information on Setup Utility, see Chapter 5, “Using the Setup Utility,” on page 19.

Solving recovery problems

If you are unable to access the Rescue and Recovery workspace or the Windows environment, you can:

- Use your rescue media (CD, DVD, or USB hard disk drive) to start the Rescue and Recovery workspace. See “Creating and using rescue media” on page 40 for details.
- Use a Recovery Repair diskette to repair the Rescue and Recovery workspace or repair a file needed to enter the Windows environment. See “Creating and using a Recovery Repair diskette” on page 41 for details.
- Use a set of Product Recovery discs if your intent is to restore the hard disk drive to its original factory contents. See “Creating and using the Product Recovery disc” on page 37.

It is important to create a Recovery Repair diskette, rescue media, and a set of Product Recovery discs as soon as possible and store them in a safe place.

If you are unable to access the Rescue and Recovery workspace or the Windows environment from rescue media, a Recovery Repair diskette, or a set of Product Recovery CDs, you might not have the rescue device, CD drive, DVD drive, or USB hard disk drive defined as a startup device in the BIOS startup sequence. For more information, see “Setting a rescue device in the startup sequence.”

Chapter 10. Getting information, help, and service

This chapter contains information about help, service, and technical assistance for products manufactured by Lenovo.

Information resources

This section describes how to access useful resources relating to your computing needs.

Online Books folder

The Online Books folder provides publications to help you set up and use your computer. The Online Books folder is preinstalled on your computer and requires no Internet access to view the publications. In addition to this *ThinkStation User Guide*, the *ThinkStation Hardware Installation and Replacement Guide* is also available in the Online Books folder.

The *ThinkStation Hardware Installation and Replacement Guide* provides step-by-step instructions for replacing Customer Replacement Units (CRUs) in your computer. CRUs are computer parts that can be upgraded or replaced by the customer.

To view a publication, click **Start** → **All Programs** → **Online Books** to open the online books list. Then, double-click the appropriate publication. The publications are also available on the Lenovo Web site at:
<http://www.lenovo.com>

Notes:

1. These publications are in Portable Document Format (PDF) format, which requires Adobe Acrobat Reader to be installed. If Adobe Acrobat Reader has not yet been installed on your computer, a message will appear when you attempt to view the PDF file and you will be guided through the Adobe Acrobat Reader installation.
2. The publications that are preinstalled on your computer are available in other languages on the Lenovo Support Web site at:
<http://www.lenovo.com/support/>
3. If you want to install a different language version of Adobe Acrobat Reader than the version provided on your computer, go to the Adobe Web site at <http://www.adobe.com> and download the version you want to use.

ThinkVantage Productivity Center

The ThinkVantage Productivity Center program contains information sources and tools designed to make computing easier and secure.

The ThinkVantage Productivity Center program provides information about your computer and easy access to various technologies, such as:

- The Rescue and Recovery program
- Productivity Center
- Client Security Solutions
- Factory Recovery
- System Updates

- Service and support

Note: ThinkVantage Technologies are only available on select Lenovo computers.

To access the ThinkVantage Productivity Center program, click **Start** → **All Programs** → **ThinkVantage** → **Productivity Center**.

Safety and Warranty

The safety and warranty information that is provided with your computer contains information on safety, and warranty, notices. Read and understand all safety information before using this product.

www.lenovo.com

The Lenovo Web site (www.lenovo.com) provides information and services to help you buy, upgrade, and maintain your computer. You can access up-to-date information for your computer on the Lenovo Web site. From the www.lenovo.com Web site, you can also:

- Shop for:
 - Desktop and notebook computers,
 - Monitors
 - Projectors
 - Upgrades and accessories
 - Special offers.
- Purchase additional services, such as support for hardware, operating systems, application programs, network setup and configuration, and custom installations.
- Purchase upgrades and extended hardware repair services.
- Download the latest device drivers and software updates for your computer model.
- Access the online manuals.
- Access the Lenovo Statement of Limited Warranty.
- Access troubleshooting and support information for your computer model and other supported products.
- Find the service and support phone number for your country or region.
- Find a service provider located near you.

Help and service

This section contains information about obtaining help and service.

Using the documentation and diagnostic programs

If you experience a problem with your computer, see Chapter 8, “Troubleshooting and diagnostics,” on page 31. For information on additional resources to help you troubleshoot your computer problem, see “Information resources” on page 45.

If you suspect a software problem, see the documentation, including README files and online help, that comes with the operating system or application program.

Most computers come with a set of diagnostic programs that you can use to help you identify hardware problems. For instructions on using the diagnostic programs, see “Diagnostic programs” on page 32.

Lenovo maintains pages on the World Wide Web where you can get the latest technical information and download device drivers and updates. To access these pages, go to <http://www.lenovo.com/support/> and follow the instructions.

Calling for service

During the warranty period you can get help and information by telephone through the Customer Support Center.

These services are available during the warranty period:

- **Problem determination** - Trained personnel are available to assist you with determining a hardware problem and deciding what action is necessary to fix the problem.
- **Hardware repair** - If the problem is caused by hardware under warranty, trained service personnel are available to provide the applicable level of service.
- **Engineering Change management** - There might be changes that are required after a product has been sold. Lenovo or your reseller will make selected Engineering Changes (ECs) available that apply to your hardware.

These items are not covered by the warranty.

- Replacement or use of parts not manufactured for or by Lenovo or non-warranted Lenovo parts
- Identification of software problem sources
- Configuration of BIOS as part of an installation or upgrade
- Changes, modifications, or upgrades to device drivers
- Installation and maintenance of network operating systems (NOS)
- Installation and maintenance of application programs

Refer to the safety and warranty information that is provided with your computer for a complete explanation of warranty terms. You must retain your proof of purchase to obtain warranty service.

For a list of service and support phone numbers for your country or region, go to <http://www.lenovo.com/support/> and click **Support phone list** or refer to the safety and warranty information provided with your computer.

Note: Phone numbers are subject to change without notice. If the number for your country or region is not provided, contact your Lenovo reseller or Lenovo marketing representative.

If possible, be at your computer when you call. Have the following information available:

- Machine type and model
- Serial numbers of your hardware products
- Description of the problem
- Exact wording of any error messages
- Hardware and software configuration information

Using other services

If you travel with your computer or relocate it to a country where your desktop or notebook computer machine type is sold, your computer might be eligible for International Warranty Service, which automatically entitles you to obtain warranty service throughout the warranty period. Service will be performed by service providers authorized to perform warranty service.

Service methods and procedures vary by country, and some services might not be available in all countries. International Warranty Service is delivered through the method of service (such as depot, carry-in, or on-site service) that is provided in the servicing country. Service centers in certain countries might not be able to service all models of a particular machine type. In some countries, fees and restrictions might apply at the time of service.

To determine whether your computer is eligible for International Warranty Service and to view a list of the countries where service is available, go to <http://www.lenovo.com/support/>, click **Warranty**, and follow the instructions on the screen.

For technical assistance with the installation of or questions related to Service Packs for your preinstalled Microsoft Windows product, refer to the Microsoft Product Support Services Web site at <http://support.microsoft.com/directory/>, or you can contact the Customer Support Center. Some fees might apply.

Purchasing additional services

During and after the warranty period, you can purchase additional services, such as support for hardware, operating systems, and application programs; network setup and configuration; upgraded or extended hardware repair services; and custom installations. Service availability and service name might vary by country or region. For more information about these services, go to: <http://www.lenovo.com>

Appendix A. Manual modem commands

The following section lists commands for manually programming your modem.

Commands are accepted by the modem while it is in Command Mode. Your modem is automatically in Command Mode until you dial a number and establish a connection. Commands can be sent to your modem from a PC running communication software or any other terminal devices.

All commands sent to the modem must begin with **AT** and end with **ENTER**. All commands can be typed in either upper or lower case, but not mixed. To make the command line more readable, spaces can be inserted between commands. If you omit a parameter from a command that requires one, it is just like specifying a parameter of **0**.

Example:

ATH [ENTER]

Basic AT commands

In the following listings, all default settings are printed in **bold text**.

Command		Function
A		Manually answer incoming call.
A/		Repeat last command executed. Do not precede A/ with AT or follow with ENTER .
D_		0 - 9, A-D, # and *
	L	last number redial
	P	pulse dialing
		Note: Pulse dialing is not supported for Australia, New Zealand, Norway, and South Africa.
	T	touch-tone dialing
	W	wait for second dial tone
	,	pause
	@	wait for five seconds of silence
	!	flash
	;	return to Command Mode after dialing
DS=n		Dial one of the four telephone numbers (n=0-3) stored in the modem non-volatile memory.
E_	E0	Commands are not echoed
	E1	Commands are echoed
+++		Escape Characters - Switch from Data Mode to Command Mode (T.I.E.S. Command)
H_	H0	Force modem on-hook (hang up)

Command		Function
	H1	Force modem off-hook (make busy) Note: H1 command is not supported for Italy
I_	I0	Display product-identification code
	I1	Factory ROM checksum test
	I2	Internal memory test
	I3	Firmware ID
	I4	Reserved ID
L_	L0	Low speaker volume
	L1	Low speaker volume
	L2	Medium speaker volume
	L3	High speaker volume
M_	M0	Internal speaker off
	M1	Internal speaker on until carrier detected
	M2	Internal speaker always on
	M3	Internal speaker on until carrier detected and off while dialing
N_		Included for compatibility only, provides no effect
O_	O0	Return to Data Mode
	O1	Return to Data Mode and initiate an equalizer retrain
P		Set Pulse dial as default
Q_	Q0	Modem sends responses
Sr?		Read and display value in register r.
Sr=n		Set register r to value n (n = 0-255).
T		Set Tone Dial as default
V_	V0	Numeric responses
	V1	Word responses
W_	W0	Report DTE speed only
	W1	Report line speed, error correction protocol, and DTE speed.
	W2	Report DCE speed only
X_	X0	Hayes Smartmodem 300 compatible responses/blind dialing.
	X1	Same as X0 plus all CONNECT responses/blind dialing
	X2	Same as X1 plus dial tone detection
	X3	Same as X1 plus busy detection/blind dialing
	X4	All responses and dial tone and busy signal detection
Z_	Z0	Reset and retrieve active profile 0
	Z1	Reset and retrieve active profile 1

Extended AT commands

Command		Function
&C_	&C0	Force Carrier Detect Signal High (ON)
	&C1	Turn on CD when remote carrier is present
&D_	&D0	Modem ignores the DTR signal
	&D1	Modem returns to Command Mode after DTR toggle
	&D2	Modem hangs up, returns to the Command Mode after DTR toggle
	&D3	Resets modem after DTR toggle
&F_	&F	Recall factory default configuration
&G_	&G0	Guard tone disabled
	&G1	Guard tone disabled
	&G2	1800 Hz guard tone
&K_	&K0	Disable flow control
	&K3	Enable RTS/CTS hardware flow control
	&K4	Enable XON/XOFF software flow control
	&K5	Enable transparent XON/XOFF flow control
	&K6	Enable both RTS/CTS and XON/XOFF flow control
&M_	&M0	Asynchronous operation
&P_	&P0	US setting for off-hook-to-on-hook ratio
	&P1	UK and Hong Kong off-hook-to-on-hook ratio
	&P2	Same as &P0 setting but at 20 pulses per minute
	&P3	Same as &P1 setting but at 20 pulses per minute
&R_	&R0	Reserved
	&R1	CTS operates per flow control requirements
&S_	&S0	Force DSR Signal High (ON)
	&S1	DSR off in command mode, on in on-line mode
&T_	&T0	Ends test in progress
	&T1	Perform Local Analog Loopback Test
	&T3	Perform Local Digital Loopback Test
	&T4	Grant Remote Digital Loopback Test request by remote modem
	&T5	Deny Remote Digital Loopback Test request
	&T6	Perform a Remote Digital Loopback Test
	&T7	Perform a Remote Digital Loopback Test and Self-Test
	&T8	Perform Local Analog Loopback Test and Self-Test
&V	&V0	Displays Active and Stored Profiles

Command		Function
	&V1	Display Last Connection Statistics
&W_	&W0	Stores the active profile as Profile 0
	&W1	Stores the active profile as Profile 1
%E_	%E0	Disable auto-retrain
	%E1	Enable auto-retrain
+MS?		Displays the current Select Modulation settings
+MS=?		Displays a list of supported Select Modulation options
+MS=a,b,c,e,f		Select modulation where: a =0, 1, 2, 3, 9, 10, 11, 12, 56, 64, 69; b =0-1; c =300-56000; d =300-56000; e =0-1; and f =0-1. A, b, c, d, e, f default= 12, 1, 300, 56000, 0, 0 . Parameter " a " specifies the modulation protocol desired where: 0=V.21, 1=V.22, 2=V.22bis, 3=V.23, 9=V.32, 10=V.32bis, 11=V.34, 12=V.90,K56Flex,V.34.....,56=K 56Flex, V.90,V.34....., 64=Bell 103, and 69=Bell 212. Parameter " b " specifies automode operations where: 0=automode disabled, 1= automode enabled with V.8/V.32 Annex A. Parameter " c " specifies the minimum connection data rate (300- 56000). Parameter " d " specifies the maximum connection rate (300-56000); Parameter " e " specifies the codec type (0= Law, and 1=A-Law). Parameter " f " specifies "robbed bit" signaling detection (0=detection disabled 1=detection enabled)

MNP/V.42/V.42bis/V.44 commands

Command		Function
%C_	%C0	Disable MNP Class 5 and V.42bis data compression
	%C1	Enable MNP Class 5 data compression only
	%C2	Enable V.42bis data compression only
	%C3	Enable MNP Class 5 and V.42bis data compression
&Q_	&Q0	Direct data link only (same as \N1)
	&Q5	V.42 data link with fallback options
	&Q6	Normal data link only (same as \N0)
+DS44=0, 0		Disable V.44
+DS44=3, 0		Enable V.44
+DS44?		Current values
+DS44=?		List of support values

Fax Class 1 commands

+FAE=n	Data/Fax Auto Answer
+FCLASS=n	Service Class
+FRH=n	Receive data with HDLC framing
+FRM=n	Receive data
+FRS=n	Receive silence
+FTH=n	Transmit data with HDLC framing
+FTM=n	Transmit data
+FTS=n	Stop transmission and wait

Fax Class 2 commands

+FCLASS=n	Services class.
+FAA=n	Adaptive answer.
+FAXERR	Fax error value.
+FBOR	Phase C data bit order.
+FBUF?	Buffer size (read only).
+FCFR	Indicate confirmation to receive.
+FCLASS=	Service class.
+FCON	Facsimile connection response.
+FCIG	Set the polled station identification.
+FCIG:	Report the polled station identification.
+FCR	Capability to receive.
+FCR=	Capability to receive.
+FCSI:	Report the called station ID.
+FDCC=	DCE capabilities parameters.
+FDCS:	Report current session.
+FDCS=	Current session results.
+FDIS:	Report remote capabilities.
+FDIS=	Current sessions parameters.
+FDR	Begin or continue phase C receive data.
+FDT=	Data transmission.
+FDTC:	Report the polled station capabilities.
+FET:	Post page message response.
+FET=N	Transmit page punctuation.
+FHNG	Call termination with status.
+FK	Session termination.
+FLID=	Local ID string.
+FLPL	Document for polling.
+FMDL?	Identify model.
+FMFR?	Identify manufacturer.

+FPHCTO	Phase C time out.
+FPOLL	Indicates polling request.
+FPTS:	Page transfer status.
+FPTS=	Page transfer status.
+FRECV?	Identify revision.
+FSPT	Enable polling.
+FTSI:	Report the transmit station ID.

Voice commands

#BDR	Select Baud Rate
#CID	Enable Caller ID detection and reporting format
#CLS	Select Data, Fax or Voice/Audio
#MDL?	Identify Model
#MFR?	Identify Manufacturer
#REV?	Identify Revision Level
#TL	Audio output transmit level
#VBQ?	Query Buffer Size
#VBS	Bits per sample (ADPCM or PCM)
#VBT	Beep Tone Timer
#VCI?	Identify Compression Method
#VLS	Voice line select
#VRA	Ringback goes away timer
#VRN	Ringback never came timer
#VRX	Voice Receive Mode
#VSDB	Silence deletion tuner
#VSK	Buffer skid setting
#VSP	Silence detection period
#VSR	Sampling rate selection
#VSS	Silence deletion tuner
#VTD	DTMF tone reporting capability
#VTM	Enable timing mark placement
#VTS	Generate tone signals
#VTX	Voice transmit mode

Attention Switzerland User:

If your Swisscom phone line does not have Taxsignal switched OFF, modem function may be impaired. The impairment may be resolved by a filter with the following specifications:

Telekom PTT SCR-BE
Taximpulssperrfilter-12kHz
PTT Art. 444.112.7
Bakom 93.0291.Z.N

Appendix B. Notices

Lenovo may not offer the products, services, or features discussed in this document in all countries. Consult your local Lenovo representative for information on the products and services currently available in your area. Any reference to a Lenovo product, program, or service is not intended to state or imply that only that Lenovo product, program, or service may be used. Any functionally equivalent product, program, or service that does not infringe any Lenovo intellectual property right may be used instead. However, it is the user's responsibility to evaluate and verify the operation of any other product, program, or service.

Lenovo may have patents or pending patent applications covering subject matter described in this document. The furnishing of this document does not give you any license to these patents. You can send license inquiries, in writing, to:

*Lenovo (United States), Inc.
1009 Think Place - Building One
Morrisville, NC 27560
U.S.A.
Attention: Lenovo Director of Licensing*

LENOVO PROVIDES THIS PUBLICATION "AS IS" WITHOUT WARRANTY OF ANY KIND, EITHER EXPRESS OR IMPLIED, INCLUDING, BUT NOT LIMITED TO, THE IMPLIED WARRANTIES OF NON-INFRINGEMENT, MERCHANTABILITY OR FITNESS FOR A PARTICULAR PURPOSE. Some jurisdictions do not allow disclaimer of express or implied warranties in certain transactions, therefore, this statement may not apply to you.

This information could include technical inaccuracies or typographical errors. Changes are periodically made to the information herein; these changes will be incorporated in new editions of the publication. Lenovo may make improvements and/or changes in the product(s) and/or the program(s) described in this publication at any time without notice.

The products described in this document are not intended for use in implantation or other life support applications where malfunction may result in injury or death to persons. The information contained in this document does not affect or change Lenovo product specifications or warranties. Nothing in this document shall operate as an express or implied license or indemnity under the intellectual property rights of Lenovo or third parties. All information contained in this document was obtained in specific environments and is presented as an illustration. The result obtained in other operating environments may vary.

Lenovo may use or distribute any of the information you supply in any way it believes appropriate without incurring any obligation to you.

Any references in this publication to non-Lenovo Web sites are provided for convenience only and do not in any manner serve as an endorsement of those Web sites. The materials at those Web sites are not part of the materials for this Lenovo product, and use of those Web sites is at your own risk.

Any performance data contained herein was determined in a controlled environment. Therefore, the result obtained in other operating environments may

vary significantly. Some measurements may have been made on development-level systems and there is no guarantee that these measurements will be the same on generally available systems. Furthermore, some measurements may have been estimated through extrapolation. Actual results may vary. Users of this document should verify the applicable data for their specific environment.

Television output notice

The following notice applies to models that have the factory-installed television-output feature.

This product incorporates copyright protection technology that is protected by method claims of certain U.S. patents and other intellectual property rights owned by Macrovision Corporation and other rights owners. Use of this copyright protection technology must be authorized by Macrovision Corporation, and is intended for home and other limited viewing uses only unless otherwise authorized by Macrovision Corporation. Reverse engineering or disassembly is prohibited.

Trademarks

The following terms are trademarks of Lenovo in the United States, other countries, or both:

- Lenovo
- Rescue and Recovery
- ThinkStation
- ThinkVantage

The following terms are trademarks of International Business Machines Corporation in the United States, other countries, or both:

- Wake on LAN

Microsoft, Windows, and Windows Vista are trademarks of Microsoft Corporation in the United States, other countries, or both.

Intel, Celeron, Core, Pentium, and Xeon are trademarks of Intel Corporation in the United States, other countries, or both.

Other company, product, or service names may be trademarks or service marks of others.

Index

A

- administrator, password 20
- advanced settings 21
- antivirus software, updating 12
- arranging workspace 3
- AT commands
 - basic 49
 - extended 51
- audio subsystem 13

B

- backup and recovery operations 38
- basic trouble shooting 31
- BIOS, updating (flashing) 29, 30
- books folder, online 45

C

- cable lengths 4
- changing
 - password 20
 - startup device sequence 21
- cleaning the mouse 35
- comfort 3
- commands
 - basic AT 49
 - fax class 1 53
 - fax class 2 53
 - manual modem 49
 - MNP/V.42/V.42bis/V.44 52
 - voice 54
- computer
 - connecting your 5
 - setting up your 5
 - shutting down 12
- connecting your computer 5
- considerations, passwords 19
- creating
 - and using recovery repair diskette 41
 - and using rescue media 40
 - product recovery disc 37
- customer support center 47

D

- deleting password 20
- device drivers
 - installing 42
 - recovering 42
- diagnostic
 - CD image 11
 - diskettes 11
- diagnostics programs, using 46
- diagnostics, troubleshooting 31
- disc, creating product recovery 37
- diskette, creating and using a recovery repair 41
- documentation, using 46

E

- electrical outlets 4
- environment, operating 16
- Ethernet 13
- exiting, setup utility 21
- expansion adapters 14
- external options, installing 12

F

- fax class 1
 - commands 53
- fax class 2
 - commands 53
- features 13
- flashing BIOS 29
- folder, books online 45

G

- getting
 - help 45
 - information 45
 - service 45
- glare, lighting 3

H

- help
 - and service 46
 - getting 45

I

- important safety information 1
- information
 - getting 45
 - important safety 1
 - resources 45
 - safety 46
 - warranty 46
- input/output (I/O) features 14
- installing
 - device drivers 42
 - operating system 12
 - software 11
- installing external options 12
- internal drives 13
- introduction v

L

- Lenovo web site 46
- lighting, glare 3

M

- manual modem commands 49
- media, creating and using rescue 40
- MNP/V.42/V.42bis/V.44, commands 52
- modem commands
 - basic AT 49
 - Extended AT 51
 - fax class 1 53
 - fax class 2 53
 - manual 49
 - MNP/V.42/V.42bis/V.44 52
 - Voice 54
- mouse
 - cleaning 35
 - non-optical 35
 - optical mouse 35

N

- non-optical mouse 35
- notice, television output 58
- notices 57

O

- online books folder 45
- operating system
 - installing 12
 - updating 12
- operations, backup and recovery 38
- optical mouse 35
- outlets, electrical 4
- overview, software 17

P

- password
 - administrator 20
 - considerations 19
 - setting, changing, deleting 20
 - user 20
- passwords, using 19
- physical specifications 16
- power
 - Advanced Configuration and Power Interface (ACPI)
 - support 14
 - features 14
 - turning off computer 12
 - turning on computer 11
- power-on self-test (POST) 29
- product recovery disc, creating 37
- productivity center, ThinkVantage 45
- programs, updating system 29
- purchasing additional services 48

R

- recovering
 - device drivers 42
 - software 37
- recovery
 - operations, backup and 38
 - problems, solving 43
 - repair diskette, creating and using 41
 - workspace, rescue and 39

- Rescue and Recovery 37
- rescue and recovery workspace 39
- rescue device, starting 43
- rescue media, creating and using 40
- resources, information 45

S

- safety 1
- safety information 46
- security
 - features 14
- selecting
 - start up device 20
 - temporary startup device 20
- service
 - and help 46
 - customer support center 47
 - getting 45
- services
 - other 47
 - purchasing additional 48
- setting
 - password 20
 - rescue device 43
 - up your computer 5
- settings
 - advanced 21
 - changing 19
 - viewing 19
- Setup Utility 19
- setup utility, exiting 21
- software
 - installing 11
 - overview 17
 - recovering 37
- solving recovery problems 43
- starting the setup utility program 19
- startup device 20
 - sequence, changing 21
 - temporary, selecting 20
- system
 - management 13
 - programs 29

T

- television output notice 58
- temporary startup device 20
- ThinkVantage productivity center 45
- trademarks 58
- troubleshooting, basic 31
- troubleshooting, diagnostics 31
- turning on power 11

U

- updating
 - (flashing) BIOS 29
 - antivirus software 12
 - operating system 12
 - system programs 29
- updating (flashing) BIOS 30
- user, password 20
- using
 - diagnostic programs 46

- using *(continued)*
 - documentation 46
 - other services 47
 - passwords 19
 - recovery repair diskette, creating and using 41
 - rescue media, creating and 40
 - Setup Utility 19
- utility program, starting 19

V

- video subsystem 13
- viewing and changing settings 19
- voice, commands 54

W

- warranty information 46
- web site, Lenovo 46
- workspace, arranging 3
- workspace, backup and recovery 39

lenovo®

Part Number: 43C9722

Printed in USA

(1P) P/N: 43C9722

