

ViewSonic®

VOT120
PC Mini

- User Guide
- Guide de l'utilisateur
- Bedienungsanleitung
- Podręcznik użytkownika
- Руководство пользователя
- Užívateľská príruka
- 使用手冊 (繁中)



Model No. : VS12869

Preface

Compliance Information

For U.S.A.

This device complies with part 15 of FCC Rules. Operation is subject to the following two conditions: (1) this device may not cause harmful interference, and (2) this device must accept any interference received, including interference that may cause undesired operation.

This equipment has been tested and found to comply with the limits for a Class B digital device, pursuant to part 15 of the FCC Rules. These limits are designed to provide reasonable protection against harmful interference in a residential installation. This equipment generates, uses, and can radiate radio frequency energy, and if not installed and used in accordance with the instructions, may cause harmful interference to radio communications. However, there is no guarantee that interference will not occur in a particular installation. If this equipment does cause harmful interference to radio or television reception, which can be determined by turning the equipment off and on, the user is encouraged to try to correct the interference by one or more of the following measures:

- Reorient or relocate the receiving antenna.
- Increase the separation between the equipment and receiver.
- Connect the equipment into an outlet on a circuit different from that to which the receiver is connected.
- Consult the dealer or an experienced radio/TV technician for help.


Warning: You are cautioned that changes or modifications not expressly approved by the party responsible for compliance could void your authority to operate the equipment.

For Canada

This Class B digital apparatus complies with Canadian ICES-003.

Cet appareil numérique de la classe B est conforme à la norme NMB-003 du Canada.

CE Conformity for European Countries

 The device complies with the EMC Directive 2004/108/EC and Low Voltage Directive 2006/95/EC.

Following information is only for EU-member states:

The mark shown to the right is in compliance with the Waste Electrical and Electronic Equipment Directive 2002/96/EC (WEEE).

The mark indicates the requirement NOT to dispose the equipment as unsorted municipal waste, but use the return and collection systems according to local law.

If the batteries, accumulators and button cells included with this equipment, display the chemical symbol Hg, Cd, or Pb, then it means that the battery has a heavy metal content of more than 0.0005% Mercury or more than, 0.002% Cadmium, or more than 0.004% Lead.



FCC Radiation Exposure Statement

This equipment should be installed and operated with minimum distance 20cm between the radiator & your body.

This wireless module device complies with part 15 of FCC Rules. Operation is subject to the following two conditions: (1) this device may not cause harmful interference, and (2) this device must accept any interference received, including interference that may cause undesired operation.

Industry Canada Notice

This wireless module device complies with Canadian RSS-210. To prevent radio interference to the licensed service, this device is intended to be operated indoors and away from windows to provide maximum shielding. Equipment (or its transmitting antenna) that is installed outdoors is subject to licensing. The installer of this radio equipment must ensure that the antenna is located or pointed such that it does not emit RF field in excess of Health Canada limits for the general population; consult Safety Code 6, obtainable from Health Canada's web site www.hc-sc.gc.ca/rpb.

R&TTE Compliance Statement

This wireless module device complies with the Essential Requirements of the R&TTE Directive of the European Union (1999/5/EC). This equipment meets the following conformance standards:

ETSI EN 300 328
EN 301 489-01
EN 301 489-17

Notified Countries: Germany, UK, Netherlands, Belgium, Sweden, Denmark, Finland, France, Italy, Spain, Austria, Ireland, Portugal, Greece, Luxembourg, Estonia, Latvia, Lithuania, Czech Republic, Slovakia, Slovenia, Hungary, Poland and Malta.

ENERGY STAR® information

The computer complies with the ENERGY STAR® requirements of less than 15 min of user inactivity for the display and less than 30 min of inactivity for the computer. Move the mouse or click any button on the keyboard to wake the computer from Sleep mode.

Important Safety Instructions

1. Read these instructions completely before using the equipment.
2. Keep these instructions in a safe place.
3. Heed all warnings.
4. Follow all instructions.
5. Do not use this equipment near water. Warning: To reduce the risk of fire or electric shock, do not expose this apparatus to rain or moisture.
6. Do not block any ventilation openings. Install the equipment in accordance with the manufacturer's instructions.
7. Do not install near any heat sources such as radiators, heat registers, stoves, or other devices (including amplifiers) that produce heat.
8. Do not attempt to circumvent the safety provisions of the polarized or grounding-type plug. A polarized plug has two blades with one wider than the other. A grounding type plug has two blades and a third grounding prong. The wide blade and the third prong are provided for your safety. If the plug does not fit into your outlet, consult an electrician for replacement of the outlet.
9. Protect the power cord from being tread upon or pinched, particularly at the plug, and the point where it emerges from the equipment. Be sure that the power outlet is located near the equipment so that it is easily accessible.
10. Only use attachments/accessories specified by the manufacturer.
11. Use only with the cart, stand, tripod, bracket, or table specified by the manufacturer, or sold with the equipment. When a cart is used, use caution when moving the cart/equipment combination to avoid injury from tipping over.
12. Unplug this equipment when it will be unused for long periods of time.
13. Refer all servicing to qualified service personnel. Service is required when the unit has been damaged in any way, such as: if the power-supply cord or plug is damaged, if liquid is spilled onto or objects fall into the unit, if the unit is exposed to rain or moisture, or if the unit does not operate normally or has been dropped.



Declaration of RoHS Compliance

This product has been designed and manufactured in compliance with Directive 2002/95/EC of the European Parliament and the Council on restriction of the use of certain hazardous substances in electrical and electronic equipment (RoHS Directive) and is deemed to comply with the maximum concentration values issued by the European Technical Adaptation Committee (TAC) as shown below:

Substance	Proposed Maximum Concentration	Actual Concentration
Lead (Pb)	0,1%	< 0,1%
Mercury (Hg)	0,1%	< 0,1%
Cadmium (Cd)	0,01%	< 0,01%
Hexavalent Chromium (Cr6+)	0,1%	< 0,1%
Polybrominated biphenyls (PBB)	0,1%	< 0,1%
Polybrominated diphenyl ethers (PBDE)	0,1%	< 0,1%

Certain components of products as stated above are exempted under the Annex of the RoHS Directives as noted below:

Examples of exempted components are:

1. Mercury in compact fluorescent lamps not exceeding 5 mg per lamp and in other lamps not specifically mentioned in the Annex of RoHS Directive.
2. Lead in glass of cathode ray tubes, electronic components, fluorescent tubes, and electronic ceramic parts (e.g. piezoelectronic devices).
3. Lead in high temperature type solders (i.e. lead-based alloys containing 85% by weight or more lead).
4. Lead as an alloying element in steel containing up to 0.35% lead by weight, aluminium containing up to 0.4% lead by weight and as a copper alloy containing up to 4% lead by weight.

Copyright Information

Copyright © ViewSonic® Corporation, 2010. All rights reserved.

Microsoft®, Windows®, Windows NT®, and the Windows® logo are registered trademarks of Microsoft® Corporation in the United States and other countries. ViewSonic®, the three birds logo, OnView®, ViewMatch™, and ViewMeter® are registered trademarks of ViewSonic® Corporation.

Intel®, Pentium®, and Atom™ are registered trademarks of Intel Corporation.

Award® is a registered trademark of Phoenix Technologies Ltd.

AMI® is a registered trademark of American Megatrends Inc.

ENERGY STAR® is a registered trademark of the U.S. Environmental Protection Agency (EPA).

As an ENERGY STAR® partner, ViewSonic Corporation has determined that this product meets the ENERGY STAR® guidelines for energy efficiency.

Disclaimer: ViewSonic® Corporation shall not be liable for technical or editorial errors or omissions contained herein; nor for incidental or consequential damages resulting from furnishing this material, or the performance or use of this product.

In the interest of continuing product improvement, ViewSonic® Corporation reserves the right to change product specifications without notice. Information in this document may change without notice.

No part of this document may be copied, reproduced, or transmitted by any means, for any purpose without prior written permission from ViewSonic® Corporation.

Product Registration

To meet your future needs, and to receive any additional product information as it becomes available, please register your product on the Internet at: www.viewsonic.com. The ViewSonic® Wizard CD-ROM also provides an opportunity for you to print the registration form, which you may mail or fax to ViewSonic®.

For Your Records

Product Name:	VOT120 ViewSonic PC Mini
Model Number:	VS12869
Document Number:	VOT120-1_UG_ENG Rev. 1C 08-30-10
Serial Number:	_____
Purchase Date:	_____

Product disposal at end of product life

ViewSonic respects the environment and is committed to working and living green. Thank you for being part of Smarter, Greener Computing. Please visit ViewSonic website to learn more.

USA: <http://www.viewsonic.com/company/green/>

Europe: <http://www.viewsoniceurope.com/uk/support/recycling-information/>

Taiwan: <http://recycle.epa.gov.tw/recycle/index2.aspx>

Content

Chapter 1	Introduction	1
	Overview	1
	Product Specifications	2
	System Tour	3
Chapter 2	Getting Started	7
	Setting up your PC.....	7
	Mounting your PC to a monitor	10
Chapter 3	AMI BIOS Setup.....	12
	Overview.....	12
	Main Menu	13
	Advanced Menu.....	15
	Boot Menu	17
	Chipset Menu.....	18
	Power Menu.....	19
	Security Menu.....	20
	Exit Menu.....	21
Chapter 4	System Recovery	23
	When to Use System Recovery	23
	Running ViewSonic® Recovery Manager.....	23
Chapter 5	FAQ & Troubleshooting	25
	Frequently asked questions	25
	Troubleshooting	26
Chapter 6	Other Information	27
	Customer Support.....	27
	Limited Warranty	28

Figures

Figure 1 Front Panel.....	3
Figure 2 Rear Panel	5
Figure 3 Connecting the DVI cable	7
Figure 4 Connecting USB mouse & keyboard.....	8
Figure 5 Network cable with RJ45 connector.....	8
Figure 6 Turning on the system.....	9
Figure 7 Using a Kensington lock.....	9
Figure 8 Computer Stand	10
Figure 9 VESA mounting (1).....	10
Figure 10 VESA mounting (2).....	11

Tables

Table 1 VOT120 product specifications.....	2
Table 2 BIOS Main Menu	13
Table 3 IDE Device Setting Menu.....	13
Table 4 System Information.....	14
Table 5 Advanced Menu	15
Table 6 OnBoard Peripherals Configuration Settings.....	15
Table 7 Hardware Health Configuration.....	16
Table 8 Boot Menu	17
Table 9 Chipset Menu.....	18
Table 10 Power Menu.....	19
Table 11 Security Menu	20
Table 12 Exit Menu.....	21

Chapter 1

Introduction

■ Overview

The VOT120 is a PC mini in a small format that is ideal for space critical installations. This system is designed with the Intel® Atom N270 processor which allows for computing power in small devices. This PC can be used on the desktop or mounted on the back of your LCD.

NOTE



The contents of your package may be different due to regional variations.

Package Contents

- VOT120
- Power Adapter
- Power Cord
- Desktop Stand
- Driver CD
- Quick installation Guide
- Optional VESA Mounting Kit (with 4 x M4X6 flat head screws)

Features

- Ultra Quiet, Ultra Small, Ultra-Low Power
- Intel® Atom Processor N270
- Intel® 945GSE + ICH7-M
- Support DDR2 SODIMM up to 2GB
- Support 1x DVI-I, 1x GbE, 1x 2.5" SATA HDD, 1x eSATA, 4x USB and Audio

■ Product Specifications

Dimensions	39 x 130 x 115 mm (WxHxD), 1.5 x 5.1 x 4.5 inch (WxHxD)
Weight	550 g / 1.21 lb
CPU/ Chipset	Intel® Atom N270 Processor , 945GSE / ICH7-M
RAM	1 x DDR2 SO-DIMM up to 2GB
Storage	1 x 2.5" SATA HDD , or 1x SSD
Front IO	1x Line-Out, 1x MIC-In 1x Push button for power on/off 1x Push button for reset 1x POWER LED 1x HDD LED 1x WiFi LED 2x USB2.0 1x eSATA connector
Rear IO	1x DC JACK 1x DVI-I connector for CRT & DVI output 2x USB2.0 1x RJ-45, GbE port
Wireless LAN	Mini PCI-E WiFi Card
Cooling	System Fan
Power Unit	Input: 100-240 VAC, 50-60 Hz Output: 20W (Min.) / 30W (Max.), +19Vdc, 1.58A
Mounting	Desktop stand, optional VESA-mount
Certifications	CE, CE R&TTE , BSMI, NCC, C-tick, WPC, GOST-R, UL/cUL, FCC-B, FCC ID, ICES003, IC, ENERGY STAR®

Table 1 VOT120 product specifications

■ Power Supplies:

Lite-On Technology Corp / PA-1300-014XX (X can be A-Z, 0-9, "-" or blank)

Delta Electronics Inc / ADP-30MH B

■ System Tour

Refer to the diagram below to identify the components of the system.

■ Front Panel

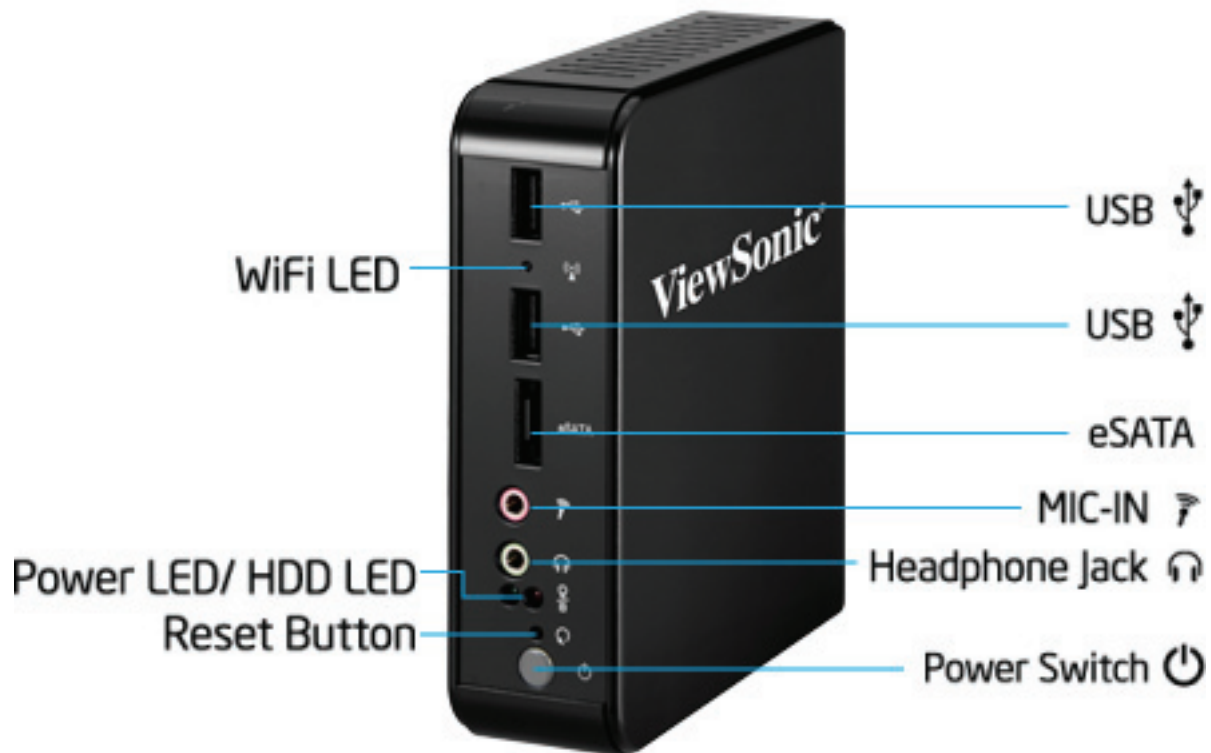


Figure 1 Front Panel



USB

The USB (Universal Serial Bus) port is compatible with USB devices such as keyboards, mouse devices, cameras, and hard disk drives. USB allows many devices to run simultaneously on a single computer, with some peripherals acting as additional plug-in sites or hubs.



WiFi LED

When the data is transferring, the WiFi LED will blink.

eSATA eSATA

The eSATA connector provides an external connectivity for mass storage devices.

CAUTION



This connector does not support hot-swapping. Users should not connect or disconnect their eSATA devices from PC when the system is working.



MIC-IN

The microphone jack is designed to connect the microphone used for video conferencing, voice narrations, or simple audio recordings.



Headphone Jack

The stereo headphone jack (3.5mm) is used to connect the system's audio out signal to amplified speakers or headphones.



Power LED

The power LED will light when the PC is power-on.



HDD LED

The hard disk LED blinks when data is being written to or read from the HDD



Reset Button

To reset the computer, use the tip of a pen to press the Reset button briefly (for less than three seconds).



Power Switch

The power switch allows powering ON and OFF the system.

■ Rear Panel

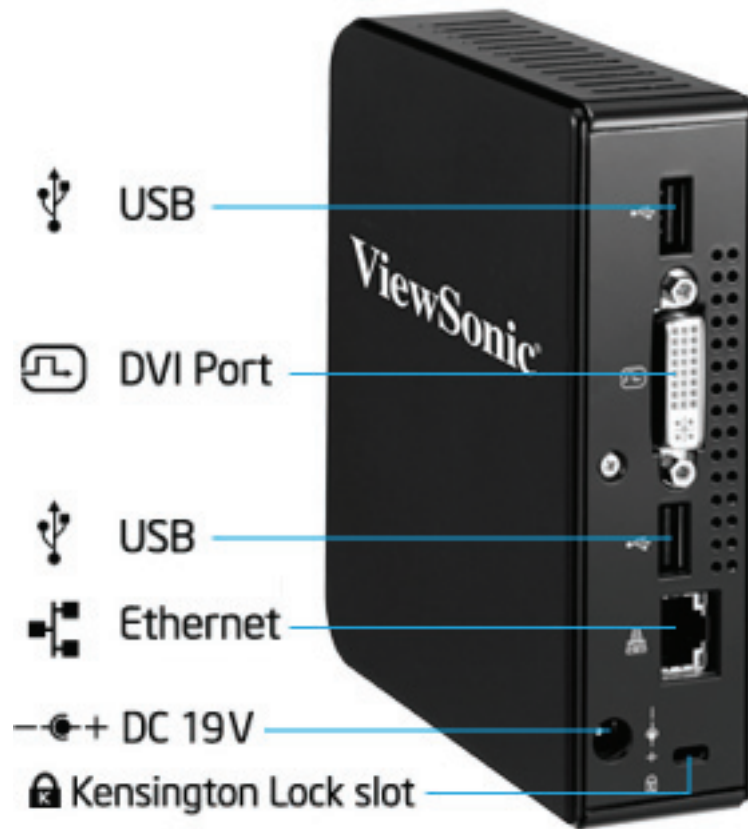


Figure 2 Rear Panel



USB

The USB (Universal Serial Bus) port is compatible with USB devices such as keyboards, mouse devices, cameras, and hard disk drives. USB allows many devices to run simultaneously on a single computer, with some peripherals acting as additional plug-in sites or hubs.



DVI Port

The Digital Visual Interface (DVI-I) port supports a high quality VGA-compatible device such as a monitor or LCD TV to allow viewing on a larger external display.



Ethernet

The eight-pin RJ-45 LAN port supports a standard Ethernet cable for connection to a local network.



DC 19V

The supplied power adapter converts AC power to DC 19V power for use with this jack. Power supplied through this jack supplies power to the PC. To prevent damage to the PC, always use the supplied power adapter.



Kensington Lock Slot

The slot is used for attaching a lock-and-cable apparatus. Locks are generally secured in place with a key or combination lock attached to a rubberized metal cable.

Chapter 2

Getting Started

■ Setting up your PC

■ Connecting the monitor

Connect the DVI cable from your display to the DVI port.

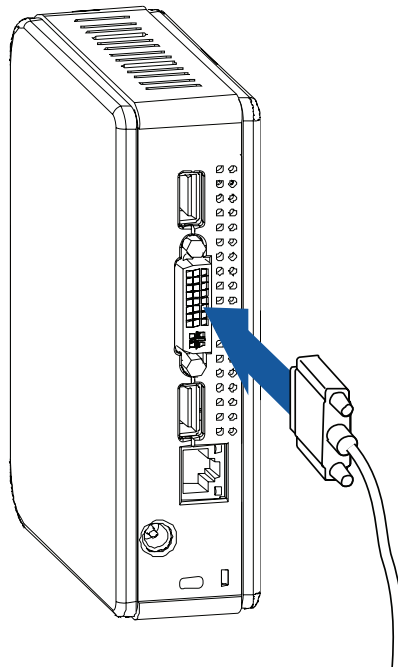


Figure 3 Connecting the DVI cable

NOTE



To connect a VGA display, you need a DVI to VGA adapter to connect a display with a VGA connector.

NOTE



When the system reboots without connecting the DVI connector, there may not be any image on the screen when you insert the DVI cable. Please press **<Ctrl>+<Alt>+<F4>** simultaneously to show the image on screen.

■ Connecting USB mouse & keyboard

Your VOT120 does not come with a keyboard and mouse, but you can use any USB keyboard or mouse with your computer.

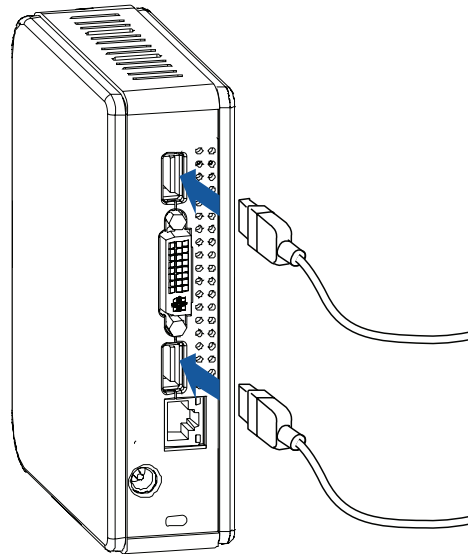


Figure 4 Connecting USB mouse & keyboard

NOTE



Using a third-party USB mouse or keyboard may require software drivers. Check the manufacturer's website for the latest software drivers.

■ Connecting to a network device

Connect one end of a network cable to the LAN port on the system rear panel and the other end to a hub or switch.

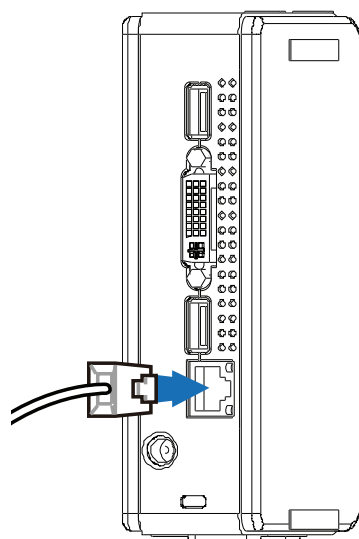


Figure 5 Network cable with RJ45 connector

■ Turning on the system

1. Connect the power adapter cable to the DC jack (DC IN) of the VOT120
2. Connect the power cable to the power adapter
3. Connect the power cable to a power outlet
4. Press the power switch on the front panel to turn on the system

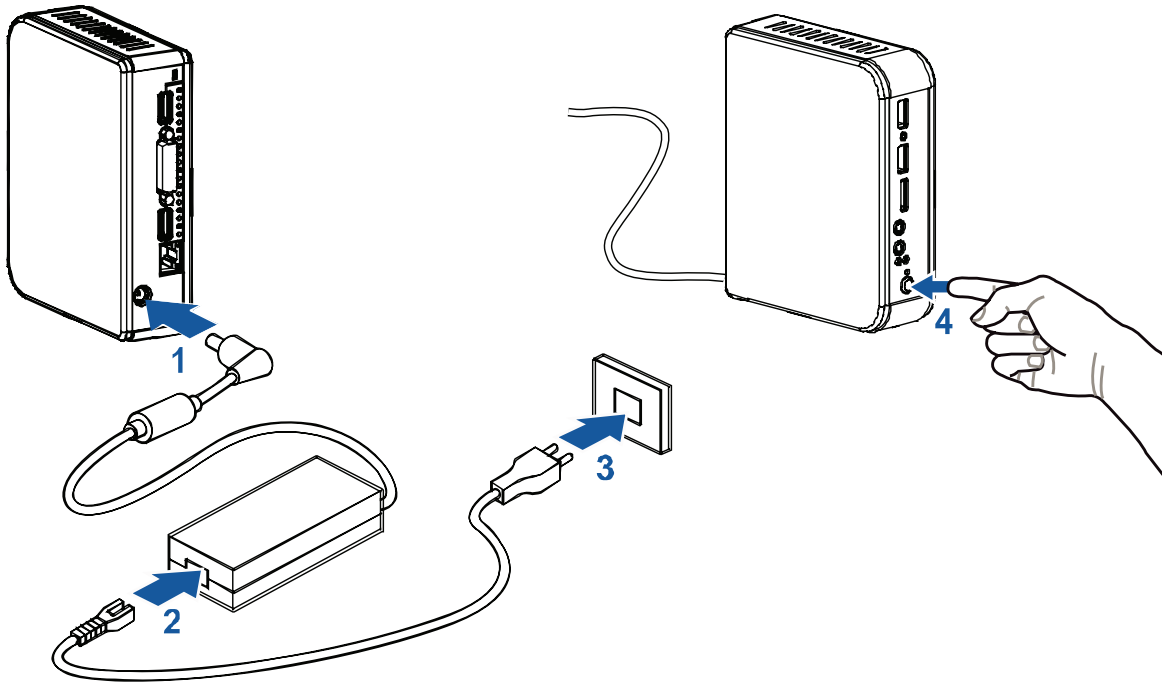


Figure 6 Turning on the system

■ Anti-theft protection with a Kensington Lock

The VOT120 has a Kensington lock slot for the Kensington MicroSaver. With the Kensington MicroSaver, a sturdy steel cable, you can attach your VOT120 to a stationary object and protect your PC from theft.

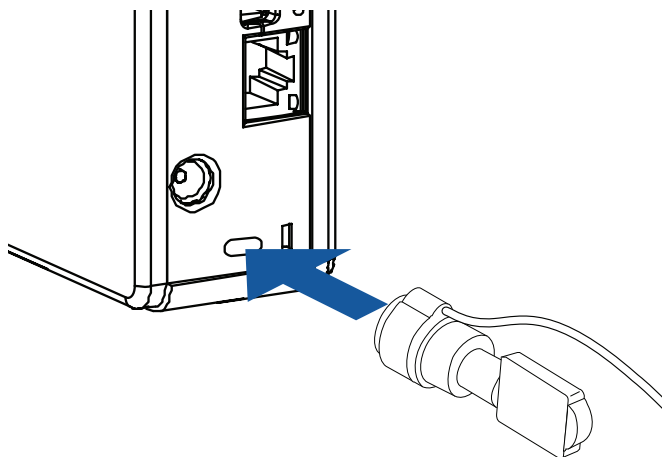


Figure 7 Using a Kensington lock

■ Computer Stand

You can use the computer stand to keep the VOT120 stable on your desktop. Please do not block the ventilation holes and be sure to leave sufficient space around the unit for ventilation.

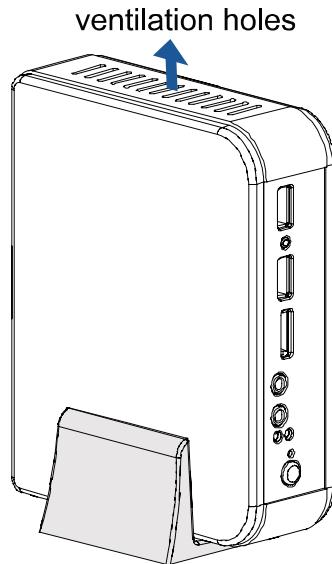


Figure 8 Computer Stand

■ Mounting your PC to a monitor

1. Secure the VESA mounting kit to your monitor with four screws.

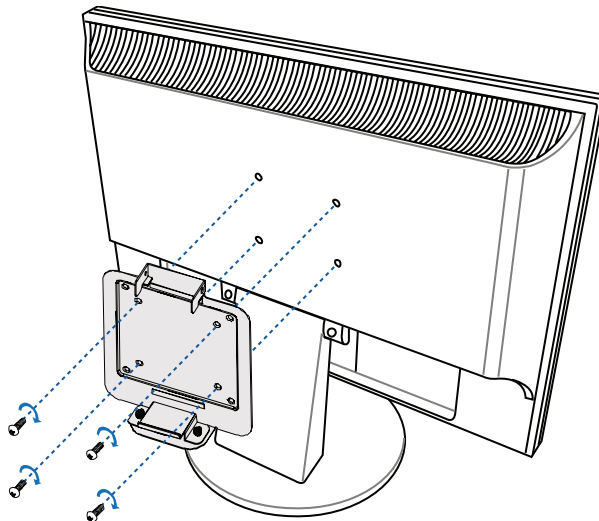


Figure 9 VESA mounting (1)

NOTE



To fasten the metal shelf, your monitor must comply with VESA75 or VESA100 standard.

2. Place the VOT120 on the VESA mounting bracket.
3. Make sure the air vents are hooked by the VESA mounting bracket and VOT120 is solidly secured to the display.

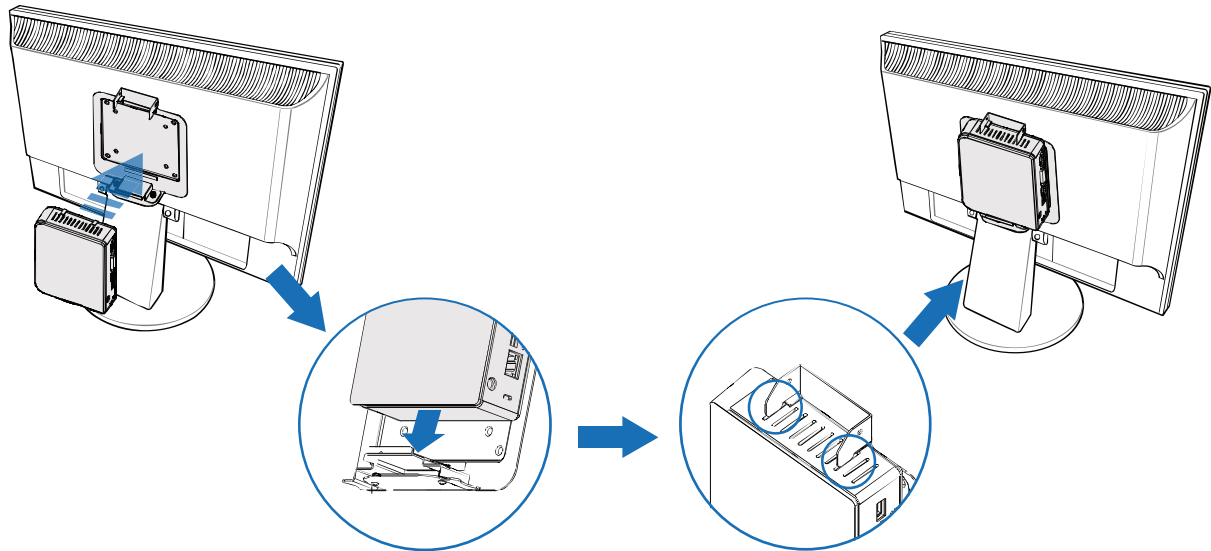


Figure 10 VESA mounting (2)

NOTE



The total weight of the unit won't exceed 7 kg.

Chapter 3

AMI BIOS Setup

■ Overview

This chapter provides a description of the AMI BIOS. The BIOS setup menus and available selections may vary from those of your product. For specific information on the BIOS for your product, please contact ViewSonic®.



NOTE: The BIOS menus and selections for your product may vary from those in this chapter. For the BIOS manual specific to your product, please contact ViewSonic®.

AMI's ROM BIOS provides a built-in Setup program, which allows the user to modify the basic system configuration and hardware parameters. The modified data will be stored in a battery-backed CMOS, so that data will be retained even when the power is turned off. In general, the information saved in the CMOS RAM will not need to be changed unless there is a configuration change in the system, such as a hard drive replacement or when a device is added.

It is possible for the CMOS battery to fail, which will cause data loss in the CMOS only. If this happens you will need to reconfigure your BIOS settings.

■ Main Menu

The BIOS Setup is accessed by pressing the F2 button after the Power-On Self-Test (POST) memory test begins and before the operating system boot begins. Once you enter the BIOS Setup Utility, the Main Menu will appear on the screen. The Main Menu provides System Overview information and allows you to set the System Time and Date. Use the “<” and “>” cursor keys to navigate between menu screens.

Table 2 BIOS Main Menu

BIOS SETUP UTILITY						
Main	Advanced	Boot	Chipset	Power	Security	Exit
System Date			[Mon 04/03/2009]			
System Time			[10:18:15]			Use [ENTER], [TAB] or [SHIFT-TAB] to select a field.
> Primary IDE Master			: [Not Detected]			
> Primary IDE Slave			: [Not Detected]			Use [+] or [-] to configure system Time.
> Secondary IDE Master			: [Not Detected]			
> System Information						<> Select Screen ↑↓ Select Item +- Change Field Tab Select Field F1 General Help F10 Save and Exit ESC Exit
V02.61 (C)Copyright 1985-2006, American Megatrends, Inc.						

Below table is described for Primary IDE Master, Primary IDE Slave, and Secondary IDE Master setting.

Table 3 IDE Device Setting Menu

BIOS SETUP UTILITY						
Main						
Primary Master			Disable: Disables LBA Mode.			
Device	: Not Detected		Auto: Enables LBA Mode if the device supports it and the device is not already formatted with LBA Mode disabled.			
LBA/ Large Mode			[Auto]			
DMA Mode			[Auto]			
S.M.A.R.T			[Auto]			
<> Select Screen ↑↓ Select Item +- Change Field Tab Select Field F1 General Help F10 Save and Exit ESC Exit						
V02.61 (C)Copyright 1985-2006, American Megatrends, Inc.						

LBA/ Large Mode [Auto]

Enables or disables the LBA (Logical Block Addressing)/ Large mode. Setting to Auto enables the LBA mode if the device supports this mode, and if the device was not previously formatted with LBA mode disabled.

Options: Disabled, Auto

DMA Mode [Auto]

Options: Auto

S.M.A.R.T [Auto]

SMART stands for Smart Monitoring, Analysis, and Reporting Technology. It allows AMIBIOS to use the SMART protocol to report server system information over a network.

Options: Auto, Disabled, Enabled

Table 4 System Information

BIOS SETUP UTILITY	
Main	
BIOS	
Version : 1.3	
Build Date: :04/03/09	
Processor	
Intel® ATOM™ CPU N270 @ 1.60GHz	
Speed :1600MHz	
Count :1	
System Memory	
Size :1016MB	
<> Select Screen ↑↓ Select Item +- Change Field Tab Select Field F1 General Help F10 Save and Exit ESC Exit	
V02.61 (C)Copyright 1985-2006, American Megatrends, Inc.	

■ Advanced Menu

Table 5 Advanced Menu

BIOS SETUP UTILITY						
Main	Advanced	Boot	Chipset	Power	Security	Exit
Advanced Settings						
Warning: Setting wrong values in below sections may cause system to malfunction.						
> OnBoard Peripherals Configuration		<> Select Screen ↑↓ Select Item +- Change Field Tab Select Field F1 General Help F10 Save and Exit ESC Exit				
> Hardware Health Configuration						
V02.61 (C)Copyright 1985-2006, American Megatrends, Inc.						

Press <Enter> to select a sub-menu for detailed options.

Table 6 OnBoard Peripherals Configuration Settings

BIOS SETUP UTILITY		
Advanced		
OnBoard Peripherals Configuration Settings		Options
USB Controller	[Enabled]	Disabled Enabled <> Select Screen ↑↓ Select Item +- Change Field Tab Select Field F1 General Help F10 Save and Exit ESC Exit
USB 2.0 Controller	[Enabled]	
USB Device Legacy Support	[Enabled]	
Audio Controller	[Enabled]	
Onboard LAN Controller	[Enabled]	
Onboard LAN OPTROM	[Disabled]	
WLAN Controller	[Enabled]	
V02.61 (C)Copyright 1985-2006, American Megatrends, Inc.		

USB Controller [Enabled]

Options: Enabled, Disabled

USB 2.0 Controller [Enabled]

Options: Enabled, Disabled

USB Device Legacy Support [Enabled]

Options: Enabled, Disabled, Auto

Audio Controller [Enabled]

Options: Enabled, Disabled

Onboard LAN Controller [Enabled]

Options: Enabled, Disabled

Onboard LAN OPTROM [Disabled]

Options: Enabled, Disabled

WLAN Controller [Enabled]

Options: Enabled, Disabled

Table 7 Hardware Health Configuration

BIOS SETUP UTILITY		
Advanced		
<u>Hardware Health Configuration</u>		Disabled
CPU Shutdown Temperature	[Disabled]	80°C/176°F
CPU Temperature	:43°C/ 109°F	85°C/185°F
Fan1 Reading	:366 RPM	90°C/194°F
		95°C/203°F
+VCORE	:1.196 V	
+VIN	:12.35 V	<> Select Screen
+5.00V	:4.958 V	↑↓ Select Item
		+ - Change Field
		Tab Select Field
		F1 General Help
		F10 Save and Exit
		ESC Exit
V02.61 (C)Copyright 1985-2006, American Megatrends, Inc.		

■ Boot Menu

Table 8 Boot Menu

BIOS SETUP UTILITY						
Main	Advanced	Boot	Chipset	Power	Security	Exit
Boot Settings <hr/> > Boot Device Priority > Hard Disk Drives > Quick Boot [Enabled] > Bootup Num-Lock [ON] > Wait For 'F1' If Error [Enabled] > Hit 'F2' Message Display [Enabled]			Specifies the Boot Device Priority sequence. <> Select Screen ↑↓ Select Item +- Change Field Tab Select Field F1 General Help F10 Save and Exit ESC Exit			
V02.61 (C)Copyright 1985-2006, American Megatrends, Inc.						

Boot Device Priority

The items allow you to specify the Boot Device Priority sequence.

Hard Disk Drives

The items allow you to specify the Boot Device Priority sequence from available Removable Drives.

Quick Boot [Enabled]

Enabling this item allows BIOS to skip some Power On Self Tests (POST) while booting to decrease the time needed to boot the system. When set to [Disabled], BIOS performs all the POST items.

Options: Disabled, Enabled

Bootup Num-Lock [On]

Allow you to select the power-on state for the NumLock.

Options: Off, On

Wait for 'F1' If Error [Enabled]

When set to Enabled, the system waits for F1 key to be pressed when error occurs.

Options: Disabled, Enabled

Hit 'F2' Message Display [Enabled]

When set to Enabled, the system displays the message 'Press F2 to run Setup' during POST.

Options: Disabled, Enabled

■ Chipset Menu

Table 9 Chipset Menu

BIOS SETUP UTILITY						
Main	Advanced	Boot	Chipset	Power	Security	Exit
Chipset Settings				Options		
DRAM Frequency		[Auto]		Auto		
Internal Graphics Mode Select		[Enabled, 8MB]		400 MHz		
				533 MHz		
DVMT Mode Select		[DVMT Mode]		<> Select Screen		
DVMT/FIXED Memory		[128M]		↑↓ Select Item		
				+- Change Field		
				Tab Select Field		
				F1 General Help		
				F10 Save and Exit		
				ESC Exit		
V02.61 (C)Copyright 1985-2006, American Megatrends, Inc.						

DRAM Frequency [Auto]

Options: Auto, 400 MHz, 533MHz

Internal Graphics Mode Select [Enabled 8MB]

Select the amount of system memory used by the internal graphics device.

Options: Enabled 1MB, Enabled 8MB

DVMT Mode Select [DVMT Mode]

Options: Fixed Mode, DVMT Mode, Combo Mode

DVMT/FIXED Memory [128MB]

Options: 64MB, 128MB, Maximum DVMT

■ Power Menu

Table 10 Power Menu

BIOS SETUP UTILITY						
Main	Advanced	Boot	Chipset	Power	Security	Exit
Power Management Setting				Select the ACPI state used for System Suspend		
ACPI Function			[Enabled]			
Suspend mode			[S3 (STR)]		<> Select Screen	
Repost Video on S3 Resume			[No]		↑↓ Select Item	
Suspend Time Out			[Disabled]		+- Change Field	
Restore on AC Power Loss			[Power Off]		Tab Select Field	
Resume By USB Device			[Disabled]		F1 General Help	
Resume By PCI-E Device			[Disabled]		F10 Save and Exit	
Resume On RTC Alarm			[Disabled]		ESC Exit	
V02.61 (C)Copyright 1985-2006, American Megatrends, Inc.						

ACPI Function [Enabled]

Enable/ Disable ACPI support for Operating System.

ENABLE: If OS supports ACPI, DISABLE: IF OS Does not support ACPI.

Suspend mode [S3 (STR)]

Options: S1 (POS), S3 (STR)

Repost Video on S3 Resume [No]

Determines whether to invoke VGA BIOS post on S3/STR resume.

Options: No, Yes

Suspend Time Out [Disabled]

Options: Disabled, 1 Min, 2 Min, 4 Min, 8 Min, 10 Min, 20 Min, 30 Min, 40 Min, 50 Min, 60 Min

Restore On AC Power Loss [Power Off]

Options: Power Off, Power On, Last State

Resume By USB Device [Disabled]

Options: Disabled, Enabled

Resume By PCI-E Device [Disabled]

Options: Disabled, Enabled

Resume On RTC Alarm [Disabled]

Options: Disabled, Enabled

■ Security Menu

Table 11 Security Menu

BIOS SETUP UTILITY						
Main	Advanced	Boot	Chipset	Power	Security	Exit
<u>Security Setting</u> Supervisor Password :Not Installed User Password :Not Installed Change Supervisor Password Change User Password					Install or Change the password. <> Select Screen ↑↓ Select Item +- Change Field Tab Select Field F1 General Help F10 Save and Exit ESC Exit	
V02.61 (C)Copyright 1985-2006, American Megatrends, Inc.						

Change Supervisor Password

Select this item to set or change the supervisor password. The Supervisor Password item on top of the screen displays the default Not Installed. After you have set a password, this item displays Installed.

Change User Password

Select this item to set or change the user password. The User Password item on top of the screen displays the default Not Installed. After you have set a password, this item displays Installed.

■ Exit Menu

Table 12 Exit Menu

BIOS SETUP UTILITY						
Main	Advanced	Boot	Chipset	Power	Security	Exit
Exit Setting <hr/> Save Changes and Exit Discard Changes and Exit Discard Changes Load Optimal Defaults Load Failsafe Defaults					Exit System Setup after saving the changes. F10 key can be used for this operation. <> Select Screen ↑↓ Select Item +- Change Field Tab Select Field F1 General Help F10 Save and Exit ESC Exit	
V02.61 (C)Copyright 1985-2006, American Megatrends, Inc.						

Save Changes and Exit

Exit system setup after saving the changes. Once you are finished making your selections, choose this option from the Exit menu to ensure the values you selected are saved to the CMOS RAM. The CMOS RAM is sustained by an onboard backup battery and stays on even when the PC is turned off. When you select this option, a confirmation window appears. Select [Yes] to save changes and exit.

Discard Changes and Exit

Exit system setup without saving any changes. Select this option only if you do not want to save the changes that you made to the Setup program. If you made changes to fields other than system date, system time, and password, the BIOS asks for a confirmation before exiting.

Discard Changes

Discards changes done so far to any of the setup values. This option allows you to discard the selections you made and restore the previously saved values. After selecting this option, a confirmation appears. Select [Yes] to discard any changes and load the previously saved values.

Load Optimal Defaults

Load Optimal Default values for all the setup values. This option allows you to load optimal default values for each of the parameters on the Setup menus, which will provide the best performance settings for your system. The F9 key can be used for this operation.

Load Failsafe Defaults

Load Optimal Default values for all the setup values. This option allows you to load failsafe default values for each of the parameters on the Setup menus, which will provide the most stable performance settings. The F8 key can be used for this operation.

Chapter 4

System Recovery

■ When to Use System Recovery

You need to run system recovery:

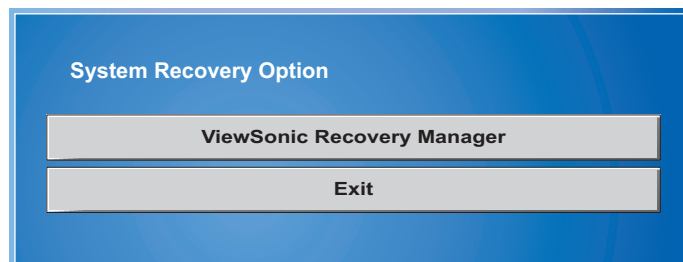
- In the event of a system or hardware failure.
- You need to restore the system back to its default settings.
- You forgot the system password.

System recovery will format the hard disk and restore the system to its default settings. However all files and other data on drive C: will be deleted.

■ Running ViewSonic® Recovery Manager

Your PC Mini uses ViewSonic® Recovery Manager for system recovery functions. To run ViewSonic® Recovery Manager, follow the steps below:

1. Turn on the PC Mini. The system boots up and the ViewSonic® logo appears.
2. When the screen displays F3..., quickly press the F3 button on the keyboard. The window below appears. Click ViewSonic® Recovery Manager.

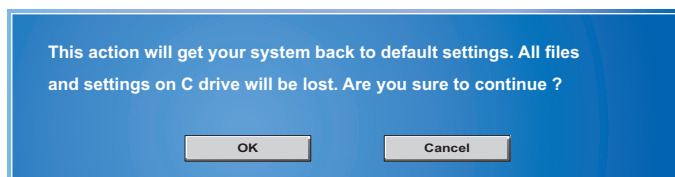


NOTE

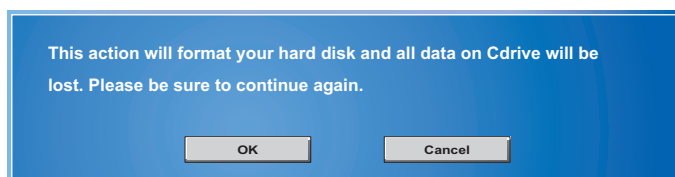


If Windows operating system starts up before you press F3 and you still wish to run System Recovery, restart the PC Mini then follow the same procedures above.

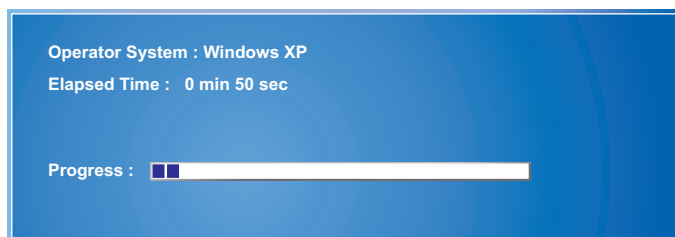
3. The following window appears. Click OK.



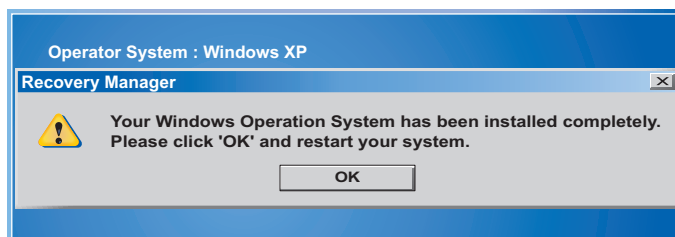
4. Another confirmation message appears as below. Click OK.



5. System recovery is initiated and the following screen appears.



6. After the system has been restored, the following window appears.



NOTE

Restarting may take several seconds to finish.

7. Click OK to restart your PC Mini.
8. After restarting, Windows Setup Wizard appears to help you configure basic settings. Follow the on screen instructions to complete setup and start using your PC Mini.

Chapter 5

FAQ & Troubleshooting

■ Frequently asked questions

Q1: How to change Boot device from HDD to other bootable devices?

A1: When seeing POST message, press “F11” to load BBS table then to select the bootable device you plugged in.

Q2: How to use the e-SATA device in VOT120?

A2: the e-SATA connector for the VOT120 does not support a hot plug device, you have to plug it in before you boot the system. Please note if you're using 3.5" HDD, please provide extra power input for the HDD.

Q3: How to set the WOL (Wake on LAN) function?

A3: The WOL function is the default support for the VOT120 so you do not have to do any modification setting in VOT120 BIOS.

Q4: How much current is provided from the VOT120 USB ports?

A4: 500mA

■ Troubleshooting

1. System would not power on or power off by pressing power button.

- 1.1. Check all power connections.
- 1.2. Make sure the DC plug is inserted correctly. If the power LED does not light you may have a faulty power adapter.
- 1.3. If the power button does not function you may have a faulty button.
- 1.4. If you can press the power button in but the power LED does not light, you may have a faulty power button
- 1.5. If the power LED stays lit and the system will not power down after holding the power button in for more than 4 seconds you may have a faulty power button.

2. When you boot the system on and you hear a beep but do not see any image:

- 2.1. Check the display power is in "Power On" status.
Check that the display is in a Power On status
- 2.2. Check that you have connected the VOT120 to the display with the correct connector
- 2.3. Check that the connection between the VOT120 and the display is connected correctly
- 2.4. If you used a DVI to D-Sub adapter, check that it is connected correctly
- 2.5. If you can see a POST message but cannot see any image on the display, try the following:
Press "Ctrl+Alt+F1" for D-Sub connector Display (Using DVI-I to D-Sub Adapter),
Press "Ctrl+Alt+F4" for DVI-I connector Display
(Please make sure your system runs in auto-login mode!)

3. When system boots for a while, and you do not hear a beep sound.

- If the system continues to boot up for an extended period of time, but nothing happens and there is no beep, please call ViewSonic® for technical support.

4. No sound from headphones.

- Check the headphone cable connection — Ensure that the headphone cable is securely inserted into the headphone connector.
- Adjust the windows volume control — Click or double-click the speaker icon in the lower-right corner of your screen. Ensure that the volume is turned up and that the sound is not muted.

Chapter 6

Other Information

Customer Support

For technical support or product service, see the table below or contact your reseller.

NOTE: You will need the product serial number.

Country/Region	Website	T = Telephone F = FAX	Email
Australia/New Zealand	www.viewsonic.com.au	AUS= 1800 880 818 NZ= 0800 008 822	service@au.viewsonic.com
Canada	www.viewsonic.com	T (Toll-Free)= 1-866-463-4775 T (Toll)= 1-424-233-2533 F= 1-909-468-3757	service.ca@viewsonic.com
Europe	www.viewsoniceurope.com	www.viewsoniceurope.com/uk/Support/Calldesk.htm	
Hong Kong	www.hk.viewsonic.com	T= 852 3102 2900	service@hk.viewsonic.com
India	www.in.viewsonic.com	T= 1800 11 9999	service@in.viewsonic.com
Ireland (Eire)	www.viewsoniceurope.com/uk/	www.viewsoniceurope.com/uk/support/call-desk/	service_ie@viewsoniceurope.com
Korea	www.kr.viewsonic.com	T= 080 333 2131	service@kr.viewsonic.com
Latin America (Argentina)	www.viewsonic.com/la/	T= 0800-4441185	soporte@viewsonic.com
Latin America (Chile)	www.viewsonic.com/la/	T= 1230-020-7975	soporte@viewsonic.com
Latin America (Columbia)	www.viewsonic.com/la/	T= 01800-9-157235	soporte@viewsonic.com
Latin America (Mexico)	www.viewsonic.com/la/	T= 001-8882328722	soporte@viewsonic.com
Renta y Datos, 29 SUR 721, COL. LA PAZ, 72160 PUEBLA, PUE. Tel: 01.222.891.55.77 CON 10 LINEAS Electroser, Av Reforma No. 403Gx39 y 41, 97000 Mérida, Yucatán. Tel: 01.999.925.19.16 Other places please refer to http://www.viewsonic.com/la/soporte/index.htm#Mexico			
Latin America (Peru)	www.viewsonic.com/la/	T= 0800-54565	soporte@viewsonic.com
Macau	www.hk.viewsonic.com	T= 853 2870 0303	service@hk.viewsonic.com
Middle East	ap.viewsonic.com/me/	Contact your reseller	service@ap.viewsonic.com
Puerto Rico & Virgin Islands	www.viewsonic.com	T= 1-800-688-6688 (English) T= 1-866-379-1304 (Spanish) F= 1-909-468-3757	service.us@viewsonic.com soporte@viewsonic.com
Singapore/Malaysia/Thailand	www.ap.viewsonic.com	T= 65 6461 6044	service@sg.viewsonic.com
South Africa	ap.viewsonic.com/za/	Contact your reseller	service@ap.viewsonic.com
United Kingdom	www.viewsoniceurope.com/uk/	www.viewsoniceurope.com/uk/support/call-desk/	service_gb@viewsoniceurope.com
United States	www.viewsonic.com	T (Toll-Free)= 1-800-688-6688 T (Toll)= 1-424-233-2530 F= 1-909-468-3757	service.us@viewsonic.com

Limited Warranty

VIEWSONIC® PC MINI

What the warranty covers:

ViewSonic warrants its products to be free from defects in material and workmanship during the warranty period. If a product proves to be defective in material or workmanship during the warranty period, ViewSonic will, at its sole option, repair or replace the product with a similar product. Replacement Product or parts may include remanufactured or refurbished parts or components. The replacement unit will be covered by the balance of the time remaining on the customer's original limited warranty. ViewSonic provides no warranty for the third-party software included with the product or installed by the customer.

How long the warranty is effective:

ViewSonic PC products are warranted for (1) year for parts and labor from the first consumer purchase; Germany, Spain, and Portugal are warranted for (2) years for parts and labor from the first consumer purchase.

User is responsible for the back up of any data before returning the unit for service. ViewSonic is not responsible for any data lost.

Who the warranty protects:

This warranty is valid only for the first consumer purchaser.

What the warranty does not cover:

1. Any product on which the serial number has been defaced, modified or removed.
2. Damage, deterioration or malfunction resulting from:
 - a. Accident, misuse, neglect, fire, water, lightning, or other acts of nature, unauthorized product modification, or failure to follow instructions supplied with the product.
 - b. Any damage of the product due to shipment.
 - c. Removal or installation of the product.
 - d. Causes external to the product, such as electrical power fluctuations or failure.
 - e. Use of supplies or parts not meeting ViewSonic's specifications.
 - f. Normal wear and tear.
 - g. Any other cause which does not relate to a product defect.
3. Removal, installation, one way transportation, insurance, and set-up service charges.

How to get service:

1. For information about receiving service under warranty, contact ViewSonic Customer Support (Please refer to Customer Support page). You will need to provide your product's serial number.
2. To obtain warranty service, you will be required to provide (a) the original dated sales slip, (b) your name, (c) your address, (d) a description of the problem, and (e) the serial number of the product.
3. Take or ship the product freight prepaid in the original container to an authorized ViewSonic service center or ViewSonic.
4. For additional information or the name of the nearest ViewSonic service center, contact ViewSonic.

Limitation of implied warranties:

There are no warranties, express or implied, which extend beyond the description contained herein including the implied warranty of merchantability and fitness for a particular purpose.

Exclusion of damages:

ViewSonic's liability is limited to the cost of repair or replacement of the product. ViewSonic shall not be liable for:

1. Damage to other property caused by any defects in the product, damages based upon inconvenience, loss of use of the product, loss of time, loss of profits, loss of business opportunity, loss of goodwill, interference with business relationships, or other commercial loss, even if advised of the possibility of such damages.
2. Any other damages, whether incidental, consequential or otherwise.
3. Any claim against the customer by any other party.
4. Repair or attempted repair by anyone not authorized by ViewSonic.

Effect of state law:

This warranty gives you specific legal rights, and you may also have other rights which vary from state to state. Some states do not allow limitations on implied warranties and/or do not allow the exclusion of incidental or consequential damages, so the above limitations and exclusions may not apply to you.

Sales outside the U.S.A. and Canada:

For warranty information and service on ViewSonic products sold outside of the U.S.A. and Canada, contact ViewSonic or your local ViewSonic dealer.

The warranty period for this product in mainland China (Hong Kong, Macao and Taiwan Excluded) is subject to the terms and conditions of the Maintenance Guarantee Card.

For users in Europe and Russia, full details of warranty provided can be found in www.viewsoniceurope.com under Support/Warranty Information.



ViewSonic®