

KitchenAid®

ELECTRIC COOKTOP

Use & Care Guide

For questions about features, operation/performance, parts accessories or service, call: **1-800-422-1230**
In Canada, call for assistance **1-800-461-5681**, for installation and service, call: **1-800-807-6777** or visit our website at...
www.kitchenaid.com or www.KitchenAid.ca

TABLE DE CUISSON ÉLECTRIQUE

Guide d'utilisation et d'entretien

Au Canada, pour assistance composez le **1-800-461-5681**, pour installation ou service composez le **1-800-807-6777** ou visitez notre site web à...
www.KitchenAid.ca

Table of Contents/Table des matières..... 2



TABLE OF CONTENTS

COOKTOP SAFETY	2
PARTS AND FEATURES	4
COOKTOP CONTROLS	6
Knob Controls	6
Electronic Touch Controls.....	6
ALL OFF	7
Control Lock.....	7
COOKTOP USE	7
Ceramic Glass	7
Dual-Circuit Elements	8
Melt & Hold Function	8
Keep Warm Function	9
Home Canning	9
Cookware	9
COOKTOP CARE	10
General Cleaning	10
TROUBLESHOOTING	10
ASSISTANCE OR SERVICE	11
WARRANTY	12

TABLE DES MATIÈRES

SÉCURITÉ DE LA TABLE DE CUISSON	13
PIÈCES ET CARACTÉRISTIQUES	15
COMMANDES DE LA TABLE DE CUISSON	17
Commandes à boutons.....	17
Commandes électroniques tactiles	17
ALL OFF (toutes commandes éteintes)	18
Verrouillage des commandes.....	18
UTILISATION DE LA TABLE DE CUISSON	18
Vitrocéramique	18
Éléments à double circuit.....	19
Fonction Melt & Hold (fondre et garder)	20
Fonction Keep Warm (garder au chaud).....	20
Préparation de conserves à la maison.....	20
Ustensiles de cuisson	20
ENTRETIEN DE LA TABLE DE CUISSON	21
Nettoyage général	21
DÉPANNAGE	22
ASSISTANCE OU SERVICE	22
GARANTIE	23

COOKTOP SAFETY

Your safety and the safety of others are very important.

We have provided many important safety messages in this manual and on your appliance. Always read and obey all safety messages.



This is the safety alert symbol.

This symbol alerts you to potential hazards that can kill or hurt you and others.

All safety messages will follow the safety alert symbol and either the word "DANGER" or "WARNING." These words mean:

⚠ DANGER

You can be killed or seriously injured if you don't immediately follow instructions.

⚠ WARNING

You can be killed or seriously injured if you don't follow instructions.

All safety messages will tell you what the potential hazard is, tell you how to reduce the chance of injury, and tell you what can happen if the instructions are not followed.

IMPORTANT SAFETY INSTRUCTIONS

WARNING: To reduce the risk of fire, electrical shock, injury to persons, or damage when using the cooktop, follow basic precautions, including the following:

- **CAUTION:** Do not store items of interest to children in cabinets above a cooktop – Children climbing on the cooktop to reach items could be seriously injured.
- Proper Installation – Be sure your cooktop is properly installed and grounded by a qualified technician.
- Never Use Your Cooktop for Warming or Heating the Room.
- Do Not Leave Children Alone – Children should not be left alone or unattended in area where cooktop is in use. They should never be allowed to sit or stand on any part of the cooktop.
- Wear Proper Apparel – Loose-fitting or hanging garments should never be worn while using the cooktop.
- User Servicing – Do not repair or replace any part of the cooktop unless specifically recommended in the manual. All other servicing should be referred to a qualified technician.
- Storage on Cooktop – Flammable materials should not be stored near surface units.
- Do Not Use Water on Grease Fires – Smother fire or flame or use dry chemical or foam-type extinguisher.
- Use Only Dry Potholders – Moist or damp potholders on hot surfaces may result in burns from steam. Do not let potholder touch hot heating elements. Do not use a towel or other bulky cloth.
- DO NOT TOUCH SURFACE UNITS OR AREAS NEAR UNITS – Surface units may be hot even though they are dark in color. Areas near surface units may become hot enough to cause burns. During and after use, do not touch, or let clothing or other flammable materials contact surface units or areas near units until they have had sufficient time to cool. Among those areas are the cooktop and surfaces facing the cooktop.
- Use Proper Pan Size – This cooktop is equipped with one or more surface units of different size. Select utensils having flat bottoms large enough to cover the surface unit heating element. The use of undersized utensils will expose a portion of the heating element to direct contact and may result in ignition of clothing. Proper relationship of utensil to burner will also improve efficiency.
- Never Leave Surface Units Unattended at High Heat Settings – Boilover causes smoking and greasy spillovers that may ignite.
- Glazed Cooking Utensils – Only certain types of glass, glass/ceramic, ceramic, earthenware, or other glazed utensils are suitable for cooktop service without breaking due to the sudden change in temperature.
- Utensil Handles Should Be Turned Inward and Not Extend Over Adjacent Surface Units – To reduce the risk of burns, ignition of flammable materials, and spillage due to unintentional contact with the utensil, the handle of a utensil should be positioned so that it is turned inward, and does not extend over adjacent surface units.
- Do Not Cook on Broken Cooktop – If cooktop should break, cleaning solutions and spillovers may penetrate the broken cooktop and create a risk of electric shock. Contact a qualified technician immediately.
- Clean Cooktop With Caution – If a wet sponge or cloth is used to wipe spills on a hot cooking area, be careful to avoid steam burn. Some cleaners can produce noxious fumes if applied to a hot surface.

For units with ventilating hood –

- Clean Ventilating Hoods Frequently – Grease should not be allowed to accumulate on hood or filter.
- When flaming foods under the hood, turn the fan on.

For units with coil elements –

- Make Sure Reflector Pans or Drip Bowls Are in Place – Absence of these pans or bowls during cooking may subject wiring or components underneath to damage.
- Protective Liners – Do not use aluminum foil to line surface unit drip bowls, except as suggested in the manual. Improper installation of these liners may result in a risk of electric shock, or fire.
- Do Not Soak Removable Heating Elements - Heating elements should never be immersed in water.

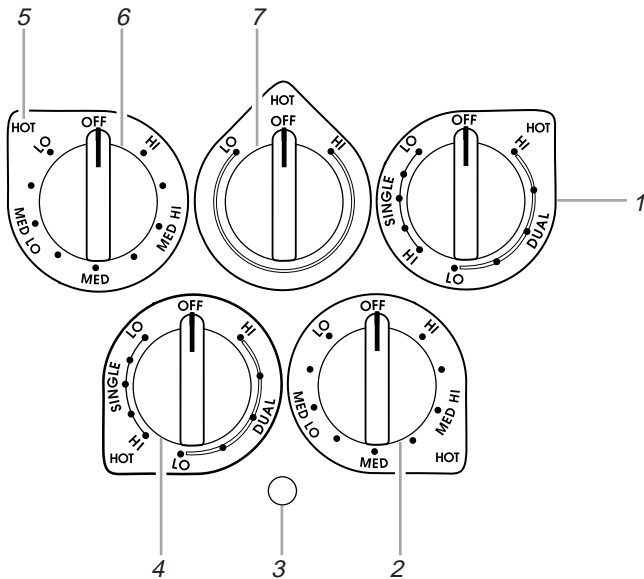
SAVE THESE INSTRUCTIONS

PARTS AND FEATURES

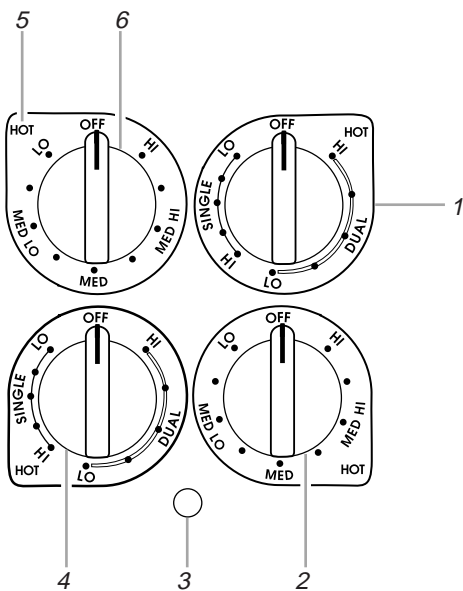
This manual covers different models. The cooktop you have purchased may have some or all of the items listed. The locations and appearances of the features shown here may not match those of your model.

Control Panels

36 in. (91.4 cm) Knob Control Models

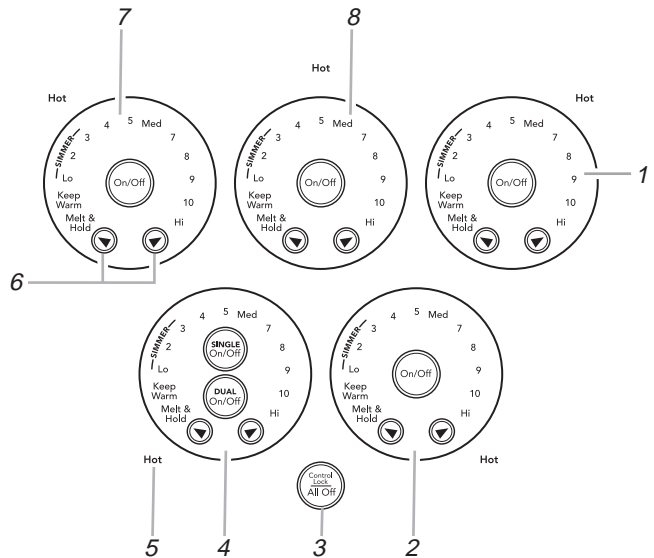


30 in. (76.2 cm) Knob Control Models

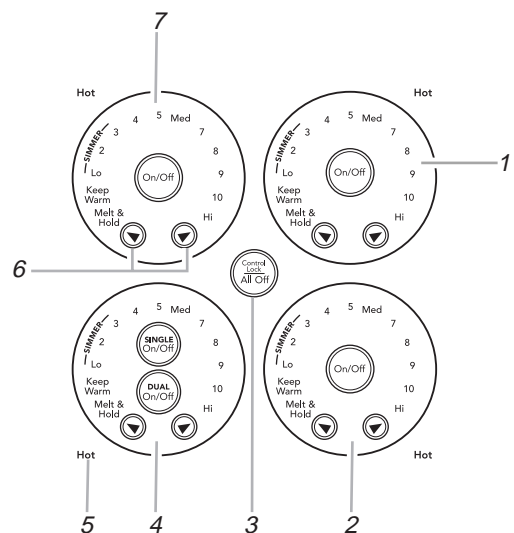


1. Right Rear Control Knob
(Dual Circuit Element on some models)
2. Right Front Control Knob
(Halogen Element on some models)
3. Power On Light
4. Left Front Control Knob
(Dual Circuit Element on some models)
5. Hot Surface Indicator Light
6. Left Rear Control Knob
(Halogen Element on some models)
7. Right Center Control Knob (Keep Warm Element on some models)

36 in. (91.4 cm) Touch Control Models



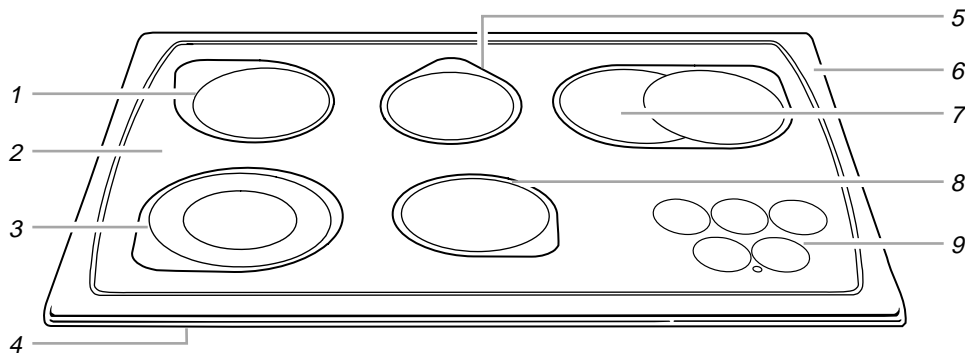
30 in. (76.2 cm) Touch Control Models



1. Right Rear Touch Control (Simmer; Keep Warm Function; Melt and Hold Function)
2. Right Front Touch Control (Simmer; Keep Warm Function; Melt and Hold Function)
3. ALL OFF Control Lock
4. Left Front Touch Control (Simmer; Keep Warm Function; Melt and Hold Function; Dual-Circuit Element)
5. Hot Surface Indicator Lights
6. Increase/Decrease Temperature Touch Control
7. Left Rear Touch Control (Simmer; Keep Warm Function; Melt and Hold Function)
8. Center Rear Touch Control (Simmer; Keep Warm Function; Melt and Hold Function)

Cooktops

Knob Control Models (36 in. [91.4 cm] model shown)

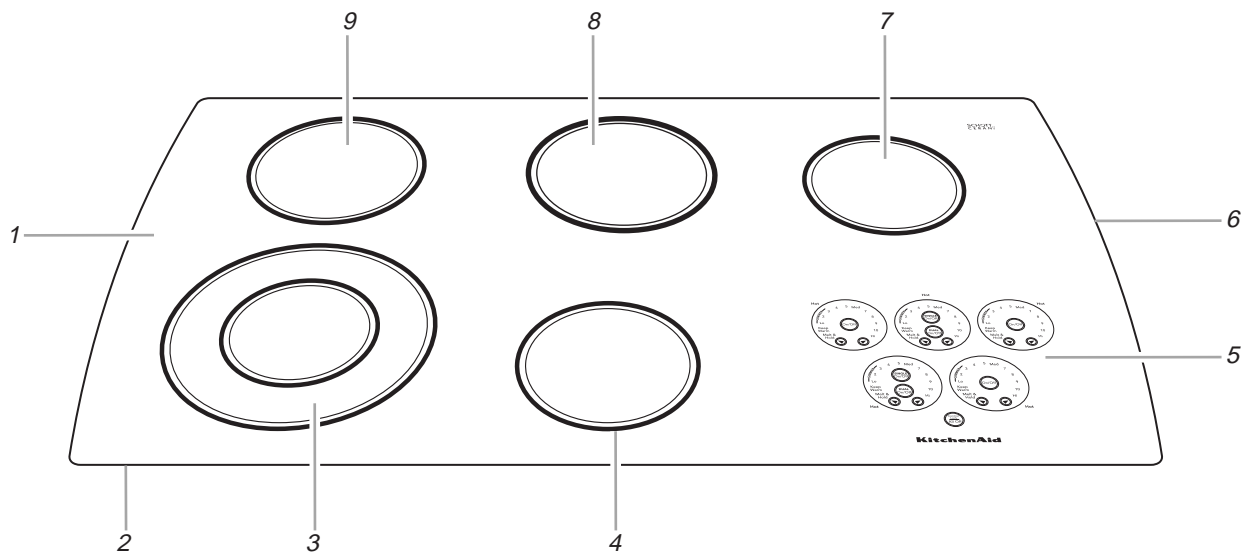


- 1. Left Rear Surface Cooking Area (Halogen Element on some models)
- 2. Ceramic Glass Cooktop
- 3. Left Front Surface Cooking Area (with Dual-Circuit Element on some models)

- 4. Model and Serial Number Plate
- 5. Center Rear Surface Cooking Area (Warming Element on some models)
- 6. Stainless Steel Frame (on some models)
- 7. Right Rear Surface Cooking Area (Dual-Circuit Element on some models)

- 8. Right Front Surface Cooking Area (Halogen Element on some models)
- 9. Control Panel

Touch Control Models (36 in. [91.4 cm] model shown)



- 1. Ceramic Glass Cooktop
- 2. Model and Serial Number Plate (located underneath cooktop on metal cabinet)
- 3. Left Front Surface Cooking Area (with Dual-Circuit Element)

- 4. Right Front Surface Cooking Area
- 5. Control Panel
- 6. Stainless Steel Frame (on some models)
- 7. Right Rear Surface Cooking Area

- 8. Center Rear Surface Cooking Area
- 9. Left Rear Surface Cooking Area

COOKTOP CONTROLS

Knob Controls

⚠️ WARNING



Fire Hazard

**Turn off all controls when done cooking.
Failure to do so can result in death or fire.**

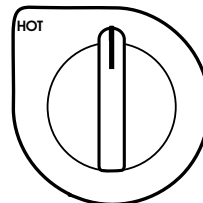
The control knobs can be set anywhere between HI and LO. Push in and turn to setting. Use the following chart as a guide when setting heat levels.

SETTING	RECOMMENDED USE
HI	<ul style="list-style-type: none"> Start food cooking. Bring liquid to a boil.
6-8 [MED- HI]	<ul style="list-style-type: none"> Hold a rapid boil. Quickly brown or sear food.
5 [MED]	<ul style="list-style-type: none"> Maintain a slow boil. Fry poultry or meat. Cook pudding, sauce, icing or gravy.
2-4 [MED- LO]	<ul style="list-style-type: none"> Stew or steam food. Simmer.
LO	<ul style="list-style-type: none"> Keep food warm. Melt chocolate or butter.
DUAL-CIRCUIT ELEMENT (on some ceramic glass models)	<ul style="list-style-type: none"> Home canning. Large-diameter cookware. Large quantities of food.

REMEMBER: When cooktop is in use, the entire cooktop area may become hot.

Hot Surface Indicator Light (on Knob Control models)

The hot surface indicator light will glow as long as any surface cooking area is too hot to touch, even after the surface cooking area(s) is turned off.



1. Hot Surface Indicator Light

If the cooktop is on when a power failure occurs, the Hot Surface Indicator Lights will remain on after power is restored to the cooktop. They will remain on until the cooktop has cooled completely.

POWER ON Lights

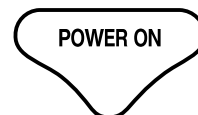
Each control knob has a POWER ON light. The light will glow when its control knob is on.



On 30 in. (76.2 cm)
Stainless steel models



On 30 in. (76.2 cm) models
On 36 in. (91.4 cm) models



On 15 in. (38.1 cm) models

Electronic Touch Controls

⚠️ WARNING



Fire Hazard

**Turn off all controls when done cooking.
Failure to do so can result in death or fire.**

The electronic touch controls offer a variety of heat settings for optimal cooking results. When melting foods such as chocolate or butter, or when proofing bread, the surface cooking area can be set to MELT & HOLD for minimal element operation.

For maximum element operation, all cooktop touch controls can be set to HI when bringing liquids to a rapid boil. Touch the “down” arrow to immediately reach the HI setting.

To Use:

1. Touch ON/OFF.
2. Touch the “up” or “down” arrow to increase or decrease power.
3. To choose a power level between HI and MELT & HOLD, touch and hold either arrow until the desired level has been reached.
4. When finished cooking, touch ON/OFF to turn surface cooking area(s) off individually, or touch ALL OFF to turn off all elements at the same time.

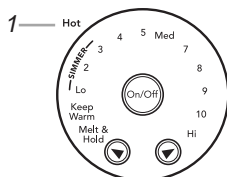
Use the following chart as a guide when setting heat levels.

SETTING	RECOMMENDED USE
HI	<ul style="list-style-type: none">■ Start food cooking.■ Bring liquid to a boil.
7-10 [MED- HI]	<ul style="list-style-type: none">■ Hold a rapid boil.■ Quickly brown or sear food.
MED	<ul style="list-style-type: none">■ Maintain a slow boil.■ Fry or sauté foods.■ Cook soups, sauces and gravies.
4-5	<ul style="list-style-type: none">■ Stew or steam food.
LO-3 [SIMMER]	<ul style="list-style-type: none">■ Provide lowest simmer/heat setting.■ Simmer (range of simmer temperatures).
DUAL-CIRCUIT ELEMENT	<ul style="list-style-type: none">■ Home canning.■ Large-diameter cookware.■ Large quantities of food.
MELT & HOLD FUNCTION	<ul style="list-style-type: none">■ Melt chocolate or butter.
KEEP WARM FUNCTION	<ul style="list-style-type: none">■ Keep cooked foods warm.

REMEMBER: When cooktop is in use, the entire cooktop area may become hot.

Hot Surface Indicator Lights (on Touch Control models)

The Hot Surface Indicator Lights are located next to each of the cooktop touch controls. The Hot Surface Indicator Lights will glow as long as any surface cooking area is too hot to touch, even after the surface cooking area(s) is turned off.



1. Hot Surface Indicator Light

If the cooktop is on when a power failure occurs, the Hot Surface Indicator Lights will remain on after power is restored to the cooktop. They will remain on until the cooktop has cooled completely.

ALL OFF

(on Electronic Touch Control models)

The ALL OFF cooktop touch controls turn off all surface cooking areas that are in use at the same time.

Control Lock

(on Electronic Touch Control models)

The Control Lock cooktop touch control prevents unintended use of the surface cooking areas. When the cooktop is locked out, the surface cooking areas cannot be turned on by the cooktop touch controls.

To Lock Cooktop: Press and hold the Control Lock/ALL OFF keypad for 5 seconds. After 5 seconds, CONTROL LOCK will glow red, indicating that the cooktop touch controls are in the lockout position.

To Unlock Cooktop: Press and hold the Control Lock/ALL OFF keypad for 5 seconds.

COOKTOP USE

Ceramic Glass

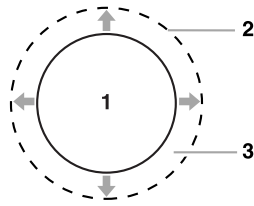
The surface cooking area will glow red when an element is on. It will cycle on and off, at all settings, to maintain the selected heat level.

It is normal for the surface of white ceramic glass to appear to change color when surface cooking areas are hot. As the glass cools, it will return to its original color.

Wiping off the cooktop before and after each use will help keep it free from stains and provide the most even heating. For more information, see “General Cleaning” section.

- Do not store jars or cans above the cooktop. Dropping a heavy or hard object on the cooktop could crack it.
- Do not leave a hot lid on the cooktop. As the cooktop cools, air can become trapped between the lid and the cooktop, and the ceramic glass could break when the lid is removed.
- Clean up sugary spills and soils as soon as hot surface indicator light goes off. If spills and soils are not wiped up while warm, surface pitting can occur.
- Do not slide cookware or bakeware across the cooktop. Aluminum or copper bottoms and rough finishes on cookware or bakeware could leave scratches or marks on the cooktop.
- Do not cook popcorn in prepackaged aluminum containers on the cooktop. It could leave aluminum marks that cannot be removed completely.
- Do not allow objects that could melt, such as plastic or aluminum foil, to touch any part of the entire cooktop.
- Do not use the cooktop as a cutting board.

- Use cookware about the same size as the surface cooking area. Cookware should not extend more than 1 in. (2.5 cm) outside the area.



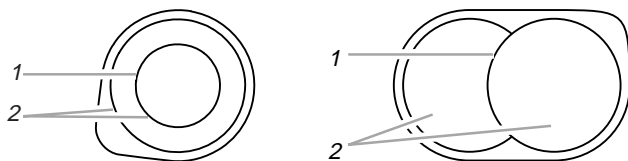
1. Surface Cooking Area
2. Cookware/Canner
3. 1 in. (2.5 cm) Maximum Overhang

- Use flat-bottomed cookware for best heat conduction and energy efficiency. Cookware with rounded, warped, ribbed or dented bottoms could cause uneven heating and poor cooking results.
- Determine flatness by placing the straight edge of a ruler across the bottom of the cookware. While rotating the ruler, no space or light should be visible between it and the cookware.
- Cookware designed with slightly indented bottoms or small expansion channels can be used.
- Make sure the bottoms of pots and pans are clean and dry before using them. Residue and water can leave deposits when heated.
- Do not cook foods directly on the cooktop.

Dual-Circuit Elements

(on some Knob and Electronic Touch Control models)

KNOB CONTROLS



1. Single size
2. Dual size

The Dual Circuit Elements offer flexibility depending on the size of the cookware. Single size can be used in the same way as a regular element. The dual size combines both the single and outer element and is recommended for larger size cookware.

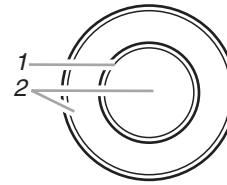
To Use SINGLE:

1. Push in and turn knob counterclockwise from the OFF position to the SINGLE zone anywhere between HI and LO.
2. Push in and turn knob to OFF when finished.

To Use DUAL:

1. Push in and turn knob clockwise from the OFF position to the DUAL zone anywhere between HI and LO.
2. Push in and turn knob to OFF when finished.

ELECTRONIC TOUCH CONTROL



1. Single size
2. Dual size

To Use SINGLE:

1. Touch SINGLE ON/OFF.
2. Touch the “up” or “down” arrow to increase or decrease power.
3. To choose a power level between HI and MELT & HOLD, touch and hold either arrow until the desired level has been reached.
4. When finished cooking, touch SINGLE ON/OFF to turn surface cooking area(s) off individually, or touch ALL OFF to turn off all the elements at the same time.

To Use DUAL:

1. Touch DUAL ON/OFF.
2. Touch the “up” or “down” arrow to increase or decrease power.
3. To choose a power level between HI and MELT & HOLD, touch and hold either arrow until the desired level has been reached.
4. When finished cooking, touch DUAL ON/OFF to turn surface cooking area(s) off individually, or touch ALL OFF to turn off all the elements at the same time.

Melt & Hold Function

(on Electronic Touch Control models)

The Melt & Hold Function is available on all the surface cooking elements, and is ideal for melting chocolate or butter.

To Use:

1. Touch ON/OFF.
2. Touch the “up” arrow once for MELT & HOLD.
3. When finished cooking, touch ON/OFF to turn off all the elements at the same time.

Keep Warm Function (on Electronic Touch Control models)

⚠ WARNING

Food Poisoning Hazard

Do not let food sit for more than one hour before or after cooking.

Doing so can result in food poisoning or sickness.

The Keep Warm Function can be used to keep cooked foods warm, and may be used whether or not the other surface cooking zones are in use.

It is not recommended for heating cold foods. When the Keep Warm Function is in use, it will not glow red like the cooking zones, but the indicator light will glow on the control panel.

Use only cookware and dishes recommended for oven and cooktop use, and that have flat bottoms to make direct contact with the cooktop surface. Use pot holders or oven mitts to remove cookware.

Cover all foods with a lid or aluminum foil. Do not use plastic wrap to cover food, as it may melt onto the cooktop surface. When warming baked goods, allow a small opening in the cover for moisture to escape.

Food quality may deteriorate if food is kept on the Keep Warm Function for an extended period. For best results, keep food warm for no longer than 30 to 45 minutes.

On models with touch controls, the Keep Warm element is available on all surface cooking areas, and can be used as either an element for warming foods, or for normal element operation.

To Use:

1. Touch ON/OFF.
2. Touch the “up” arrow twice for KEEP WARM.
3. When finished cooking, touch ON/OFF to turn surface cooking area off.

Home Canning

When canning for long periods, alternate the use of surface cooking areas, elements or surface burners between batches. This allows time for the most recently used areas to cool.

- Center the canner on the grate or largest surface cooking area or element. Canners should not extend more than 1 in. (2.5 cm) outside the cooking area.
- Do not place canner on two surface cooking areas, elements or surface burners at the same time.
- Use only flat-bottomed canners.
- For more information, contact your local U.S. Government Agricultural Department Extension Office. In Canada, contact Agriculture Canada. Companies that manufacture home canning products can also offer assistance.

Cookware

IMPORTANT: Never leave empty cookware on a hot surface cooking area, element or surface burner.

Ideal cookware should have a flat bottom, straight sides, a well-fitting lid and the material should be of medium-to-heavy thickness.

Rough finishes may scratch the cooktop. Aluminum and copper may be used as a core or base in cookware. However, when used as a base it can leave permanent marks on the cooktop or grates.

Cookware material is a factor in how quickly and evenly heat is transferred, which affects cooking results. A nonstick finish has the same characteristics as its base material. For example, aluminum cookware with a nonstick finish will take on the properties of aluminum.

Use the following chart as a guide for cookware material characteristics.

COOKWARE	CHARACTERISTICS
Aluminum	<ul style="list-style-type: none">■ Heats quickly and evenly.■ Suitable for all types of cooking.■ Medium or heavy thickness is best for most cooking tasks.
Cast iron	<ul style="list-style-type: none">■ Heats slowly and evenly.■ Good for browning and frying.■ Maintains heat for slow cooking.
Ceramic or Ceramic glass	<ul style="list-style-type: none">■ Follow manufacturer's instructions.■ Heats slowly, but unevenly.■ Ideal results on low to medium heat settings.
Copper	<ul style="list-style-type: none">■ Heats very quickly and evenly.
Earthenware	<ul style="list-style-type: none">■ Follow manufacturer's instructions.■ Use on low heat settings.
Porcelain enamel-on-steel or cast iron	<ul style="list-style-type: none">■ See stainless steel or cast iron.
Stainless steel	<ul style="list-style-type: none">■ Heats quickly, but unevenly.■ A core or base of aluminum or copper on stainless steel provides even heating.

COOKTOP CARE

General Cleaning

IMPORTANT: Before cleaning, make sure all controls are off and the cooktop are cool. Always follow label instructions on cleaning products.

Soap, water and a soft cloth or sponge are suggested first unless otherwise noted.

STAINLESS STEEL (on some models)

Do not use soap-filled scouring pads, abrasive cleaners, Cooktop Polishing Creme, steel-wool pads, gritty washcloths or some paper towels. Damage may occur.

Rub in direction of grain to avoid damaging.

- Stainless Steel Cleaner & Polish (not included): See back cover for ordering information.
- Liquid detergent or all-purpose cleaner: Rinse with clean water and dry with soft, lint-free cloth.
- Vinegar for hard water spots.

COOKTOP CONTROLS

Do not use steel wool, abrasive cleansers or oven cleaner.

Do not soak knobs.

When replacing knobs, make sure knobs are in the OFF position.

On some models, do not remove seals under knobs.

- Soap and water or dishwasher:
Pull knobs straight away from control panel to remove.

CERAMIC GLASS

Do not use steel wool, abrasive powder cleansers, chlorine bleach, rust remover or ammonia because damage may occur.

Always wipe with a clean, wet cloth or sponge and dry thoroughly to prevent streaking and staining.

Cooktop Polishing Creme is recommended for regular use to help prevent scratches, pitting and abrasions, and to condition the cooktop. It may be ordered as an accessory. See “Assistance or Service” to order.

A Cooktop Scraper is also recommended for stubborn soils, and can be ordered as an accessory. See “Assistance or Service” to order. The Cooktop Scraper uses razor blades. **Store razor blades out of the reach of children.**

Light to moderate soil

- Paper towels or clean damp sponge:
Clean while the cooktop is still warm. You may want to wear oven mitts while doing so.

Sugary spills (jellies, candy, syrup)

- Cooktop Scraper:
Clean while the cooktop is still warm. You may want to wear oven mitts while doing so.
- Cooktop Polishing Creme and clean damp paper towel:
Clean as soon as cooktop has cooled down. Rub creme into surface with a damp paper towel or soft cloth. Continue rubbing until white film disappears.

Heavy soil, dark streaks, specks and discoloration

- Cooktop Polishing Creme or nonabrasive cleanser:
Rub product into soil with a damp paper towel or soft cloth. Continue rubbing until white film disappears.

Burned-on soil

- Cooktop Polishing Creme and Cooktop Scraper:
Rub creme into soil with damp paper towel. Hold scraper as flat as possible on surface and scrape. Repeat for stubborn spots. Polish entire cooktop with creme and paper towel.

Metal marks from aluminum and copper

- Cooktop Polishing Creme:
Clean as soon as cooktop has cooled down. Rub creme into surface with a damp paper towel or soft cloth. Continue rubbing until white film disappears. The marks will not totally disappear but after many cleanings become less noticeable.

Tiny scratches and abrasions

- Cooktop Polishing Creme:
Rub creme into surface with a damp paper towel or soft cloth. Continue rubbing until white film disappears. Scratches and abrasions do not affect cooking performance and after many cleanings become less noticeable.

TROUBLESHOOTING

Try the solutions suggested here first in order to avoid the cost of an unnecessary service call.

Nothing will operate

- **Is the cooktop wired properly?** See “Installation Instructions” for more information.
- **Has a household fuse been blown or has the circuit breaker been tripped?** Replace the fuse or reset the circuit.

Cooktop will not operate

- **On models with knob controls, is the control knob set correctly?** Push in the knob before turning to a setting.
- **On models with electronic touch controls, is the cooktop control set correctly?** Touch ON/OFF before selecting a setting.
- **On models with touch controls, is the “Control Lock/ALL OFF” Cooktop Lockout set?** See “ALL OFF” or “Control Lock” sections.

Excessive heat around cookware on cooktop

- **Is the cookware the proper size?** Use cookware about the same size as the surface cooking area, element or surface burner. Cookware should not extend more than 1 in. (2.5 cm) outside the cooking area.

Cooktop has flashing lights

- **Are there lights on the cooktop flashing on and off?**
 1. Make sure the cooktop controls are OFF.
 2. Clean the cooktop touch control panel thoroughly (see “General Cleaning” section).
 3. If the cooktop lights continue to flash, disconnect power or unplug the cooktop.
 4. After a few seconds, reconnect power or plug in the cooktop.
 5. If the lights continue to blink on and off, call for service.

Cooktop cooking results not what expected

- **Is the proper cookware being used?** See “Cookware” section.
- **Is the cooktop control set to the proper heat level?** See “Cooktop Controls” section.
- **Is the appliance level?** Level the appliance. See the Installation Instructions.

ASSISTANCE OR SERVICE

Before calling for assistance or service, please check “Troubleshooting.” It may save you the cost of a service call. If you still need help, follow the instructions below.

When calling, please know the purchase date and the complete model and serial number of your appliance. This information will help us to better respond to your request.

If you need replacement parts

If you need to order replacement parts, we recommend that you only use factory specified parts. These factory specified parts will fit right and work right because they are made with the same precision used to build every new KITCHENAID® appliance.

To locate factory specified parts in your area, call our Customer Interaction Center telephone number or your nearest KitchenAid designated service center.

In the U.S.A.

Call the KitchenAid Customer Interaction Center toll free:
1-800-422-1230.

Our consultants provide assistance with:

- Features and specifications on our full line of appliances.
- Installation information.
- Accessory and repair parts sales.
- Specialized customer assistance (Spanish speaking, hearing impaired, limited vision, etc.).
- Referrals to local dealers, repair parts distributors, and service companies. KitchenAid designated service technicians are trained to fulfill the product warranty and provide after-warranty service, anywhere in the United States.

To locate the KitchenAid designated service company in your area, you can also look in your telephone directory Yellow Pages.

For further assistance

If you need further assistance, you can write to KitchenAid with any questions or concerns at:

KitchenAid Brand Home Appliances
Customer Interaction Center
553 Benson Road
Benton Harbor, MI 49022-2692

Please include a daytime phone number in your correspondence.

Accessories U.S.A.

To order accessories, call the KitchenAid Customer Interaction Center toll free at **1-800-442-9991** and follow the menu prompts. Or visit our website at www.kitchenaid.com and click on “Shop On-line,” then “Accessories.”

Canning Unit Kit

(coil element models)

Order Part #242905.

Cooktop Polishing Creme

(ceramic glass models)

Order Part #4392916.

Cooktop Scraper

(ceramic glass models)

Order Part #3183488.

Stainless Steel Cleaner & Polish

(stainless steel models)

Order Part #4396095.

In Canada

For product related questions, please call the KitchenAid Canada Customer Interaction Center toll free: **1-800-461-5681**
Monday to Friday 8:00 a.m. - 6:00 p.m. (EST).
Saturday 8:30 a.m. - 4:30 p.m. (EST).

Our consultants provide assistance with:

- Features and specifications on our full line of appliances.
- Referrals to local dealers.

For parts, accessories and service in Canada

Call **1-800-807-6777**. KitchenAid designated service technicians are trained to fulfill the product warranty and provide after-warranty service, anywhere in Canada.

For further assistance

If you need further assistance, you can write to KitchenAid Canada with any questions or concerns at:

Customer Interaction Center
KitchenAid Canada
1901 Minnesota Court
Mississauga, Ontario L5N 3A7

Please include a daytime phone number in your correspondence.

KITCHENAID® COOKTOP, BUILT-IN OVEN AND RANGE WARRANTY

ONE-YEAR FULL WARRANTY

For one year from the date of purchase, when this appliance is operated and maintained according to instructions attached to or furnished with the product, KitchenAid will pay for factory specified parts and repair labor costs to correct defects in materials or workmanship. Service must be provided by a KitchenAid designated service company.

SECOND THROUGH FIFTH YEAR LIMITED WARRANTY ON ELECTRIC ELEMENTS, CERAMIC GLASS COOKTOP, GAS BURNERS, AND SOLID STATE TOUCH CONTROL SYSTEM

On electric ranges and electric cooktops, in the second through fifth years from the date of purchase, when this appliance is operated and maintained according to instructions attached to or furnished with the product, KitchenAid will pay for factory specified parts for any electric element to correct defects in materials or workmanship.

On ceramic glass ranges and ceramic glass cooktops, in the second through fifth years from the date of purchase, when this appliance is operated and maintained according to instructions attached to or furnished with the product, KitchenAid will pay for factory specified parts for the ceramic glass cooktop. KitchenAid warrants that the ceramic glass cooktop will not discolor, the cooktop pattern will not wear off, the rubber seal between the ceramic glass cooktop and porcelain edge will not crack, the ceramic glass cooktop will not crack due to thermal shock and the surface unit elements will not burn out.

On gas ranges and gas cooktops, in the second through fifth years from the date of purchase, when this appliance is operated and maintained according to instructions attached to or furnished with the product, KitchenAid will pay for factory specified parts for any gas burner to correct defects in materials or workmanship.

On ranges and built-in ovens, in the second through fifth years from the date of purchase, when this appliance is operated and maintained according to instructions attached to or furnished with the product, KitchenAid will pay for factory specified parts for the porcelain oven cavity/inner door if the part rusts through due to defects in materials or workmanship. KitchenAid will pay for factory specified parts for solid state touch control system and Magnetron tube in combination ovens to correct defects in materials or workmanship.

SIXTH THROUGH TENTH YEAR LIMITED WARRANTY ON RANGES AND BUILT-IN OVENS PORCELAIN OVEN CAVITY/INNER DOOR

On ranges and built-in ovens only, in the sixth through tenth years from date of purchase, when this appliance is operated and maintained according to instructions attached to or furnished with the product, KitchenAid will pay for factory specified parts for the oven cavity/inner door if the part rusts through due to defects in materials or workmanship.

KitchenAid will not pay for:

1. Service calls to correct the installation of your appliance, to instruct you how to use your appliance, to replace house fuses or correct house wiring, or to replace owner-accessible light bulbs.
2. Repairs when your appliance is used in other than normal, single-family household use.
3. Pickup and delivery. Your appliance is designed to be repaired in the home.
4. Damage resulting from accident, alteration, misuse, abuse, fire, flood, improper installation, acts of God or use of products not approved by KitchenAid or KitchenAid Canada.
5. Repairs to parts or systems resulting from unauthorized modifications made to the appliance.
6. Replacement parts or repair labor costs for units operated outside the United States or Canada.
7. In Canada, travel or transportation expenses for customers who reside in remote areas.
8. Any labor costs during the limited warranty periods.

KITCHENAID AND KITCHENAID CANADA SHALL NOT BE LIABLE FOR INCIDENTAL OR CONSEQUENTIAL DAMAGES.

Some states or provinces do not allow the exclusion or limitation of incidental or consequential damages, so this exclusion or limitation may not apply to you. This warranty gives you specific legal rights, and you may also have other rights which vary from state to state or province to province.

Outside the 50 United States and Canada, this warranty does not apply. Contact your authorized KitchenAid dealer to determine if another warranty applies.

If you need service, first see the "Troubleshooting" section of this book. After checking "Troubleshooting," additional help can be found by checking the "Assistance or Service" section or by calling the KitchenAid Customer Interaction Center, **1-800-422-1230** (toll-free), from anywhere in the U.S.A. In Canada, contact your KitchenAid designated service company or call **1-800-807-6777**. 4/01

Keep this book and your sales slip together for future reference. You must provide proof of purchase or installation date for in-warranty service.

Write down the following information about your appliance to better help you obtain assistance or service if you ever need it. You will need to know your complete model number and serial number. You can find this information on the model and serial number label/plate, located on your appliance as shown in the "Parts and Features" section.

Dealer name _____

Address _____

Phone number _____

Model number _____

Serial number _____

Purchase date _____

SÉCURITÉ DE LA TABLE DE CUISSON

Votre sécurité et celle des autres est très importante.

Nous donnons de nombreux messages de sécurité importants dans ce manuel et sur votre appareil ménager. Assurez-vous de toujours lire tous les messages de sécurité et de vous y conformer.



Voici le symbole d'alerte de sécurité.

Ce symbole d'alerte de sécurité vous signale les dangers potentiels de décès et de blessures graves à vous et à d'autres.

Tous les messages de sécurité suivront le symbole d'alerte de sécurité et le mot "DANGER" ou "AVERTISSEMENT". Ces mots signifient :

⚠ DANGER

Risque possible de décès ou de blessure grave si vous ne suivez pas immédiatement les instructions.

⚠ AVERTISSEMENT

Risque possible de décès ou de blessure grave si vous ne suivez pas les instructions.

Tous les messages de sécurité vous diront quel est le danger potentiel et vous disent comment réduire le risque de blessure et ce qui peut se produire en cas de non-respect des instructions.

IMPORTANTES INSTRUCTIONS DE SÉCURITÉ

AVERTISSEMENT : Pour réduire le risque d'incendie, de choc électrique, de blessures ou de dommages lors de l'utilisation de la table de cuisson, observer les précautions élémentaires suivantes, y compris ce qui suit :

- **MISE EN GARDE :** Ne pas remiser dans les armoires au-dessus d'une table de cuisson, des articles que des enfants pourraient vouloir atteindre. Les enfants pourraient se brûler ou se blesser en grim pant sur la table de cuisson.
- Installation appropriée – S'assurer que la table de cuisson est correctement installée et reliée à la terre par un technicien qualifié.
- Ne jamais utiliser la table de cuisson pour réchauffer ou chauffer la pièce.
- Ne pas laisser les enfants seuls – Les enfants ne doivent pas être laissés seuls ou sans surveillance dans la pièce où la table de cuisson est en service. Ne jamais laisser les enfants s'asseoir ou se tenir sur une partie quelconque de la table de cuisson.
- Porter des vêtements appropriés – Des vêtements amples ou détachés ne doivent jamais être portés pendant l'utilisation de la table de cuisson.
- Entretien par l'utilisateur – Ne pas réparer ou remplacer toute pièce de la table de cuisson si ce n'est pas spécifiquement recommandé dans le manuel. Toute autre opération d'entretien ou de réparation doit être confiée à un technicien qualifié.
- Remisage sur la table de cuisson – Des matériaux inflammables ne doivent pas être remisés près des éléments à la surface.
- Ne pas utiliser d'eau sur un feu de graisse – Éteindre le feu ou la flamme ou utiliser un extincteur à produits chimiques secs ou à mousse.
- N'utiliser que des mitaines de four sèches – Des mitaines de four mouillées ou humides sur des surfaces chaudes peuvent provoquer des brûlures provenant de la vapeur. Ne pas laisser les mitaines de four toucher les éléments chauffants. Ne pas utiliser une serviette ou autre tissu épais.
- **NE PAS TOUCHER LES ÉLÉMENTS À LA SURFACE OU L'ESPACE PRÈS DES ÉLÉMENTS –** Les éléments de surface peuvent être chauds même lorsqu'ils ont une teinte foncée. Les endroits près des éléments à la surface peuvent devenir assez chauds pour provoquer des brûlures. Pendant et après l'utilisation, ne pas toucher les éléments chauffants et ne pas laisser les vêtements ou autres matériaux inflammables entrer en contact avec ces éléments de surface ou les endroits près des éléments, avant qu'ils soient suffisamment refroidis. Ces endroits comprennent la table de cuisson et les surfaces près de la table de la cuisson.

CONSERVEZ CES INSTRUCTIONS

IMPORTANTES INSTRUCTIONS DE SÉCURITÉ

- Utiliser des ustensiles de format approprié – La table de cuisson est munie d'un ou de plusieurs éléments chauffants de différentes grandeurs. Choisir les ustensiles qui ont un fond plat assez grand pour couvrir l'élément chauffant de la surface de cuisson. L'utilisation d'ustensiles trop petits exposera une partie de l'élément chauffant, ce qui peut provoquer l'inflammation des vêtements. L'utilisation d'un récipient de format correct améliore l'efficacité de la cuisson.
 - Ne jamais laisser les éléments de la table de cuisson sans surveillance alors qu'ils chauffent à la puissance maximale – Il pourrait en résulter une ébullition qui cause de la fumée et des renversements de corps gras qui peuvent s'enflammer.
 - Ustensiles de cuisson vitrifiés – Seulement certains types d'ustensiles de verre, vitrocéramique, céramique, faïence ou autres surfaces vitrifiées conviennent pour le service sur une table de cuisson, sans bris attribuables aux changements soudains de température.
 - Les poignées des ustensiles doivent être tournées vers l'intérieur et non vers le dessus des éléments adjacents – Pour réduire les risques de brûlures, d'inflammation de produits combustibles et de renversements dus à l'entrechoquement non intentionnel des ustensiles, la poignée d'un ustensile doit être positionnée de sorte qu'elle est tournée vers l'intérieur et non au-dessus des éléments de surface adjacents.
 - Ne pas faire cuire sur une table de cuisson endommagée – Si la table de cuisson est brisée, les solutions de nettoyage et les renversements peuvent pénétrer dans la table brisée et créer le risque d'un choc électrique. Contacter immédiatement un technicien qualifié.
 - Nettoyer la table de cuisson avec prudence – Si une éponge ou un chiffon mouillé est utilisé pour essuyer les renversements sur une surface de cuisson chaude, éviter les brûlures causées par la vapeur chaude. Certains nettoyants peuvent produire des émanations désagréables lorsqu'ils sont utilisés sur une surface chaude.
- Pour les appareils à éléments en spirale –**
- S'assurer que les cuvettes de propreté sont en place. L'absence de ces cuvettes au cours de la cuisson peut causer des dommages aux fils ou aux composants en dessous des éléments.
 - Garnissages protecteurs – Ne pas recouvrir les cuvettes de papier d'aluminium sauf tel que suggéré dans le manuel. L'installation incorrecte de papier d'aluminium ou autre matériau peut causer un risque de choc électrique ou d'incendie.
- Pour les appareils avec hotte de ventilation –**
- Nettoyer les hottes de ventilation fréquemment – La graisse ne doit pas s'accumuler sur la hotte ou le filtre.
 - Lorsque vous flambez des aliments sous la hotte, mettre le ventilateur en marche.
 - Ne pas tremper les éléments de chauffage amovibles – Les éléments de chauffage ne doivent jamais être immergés dans l'eau.

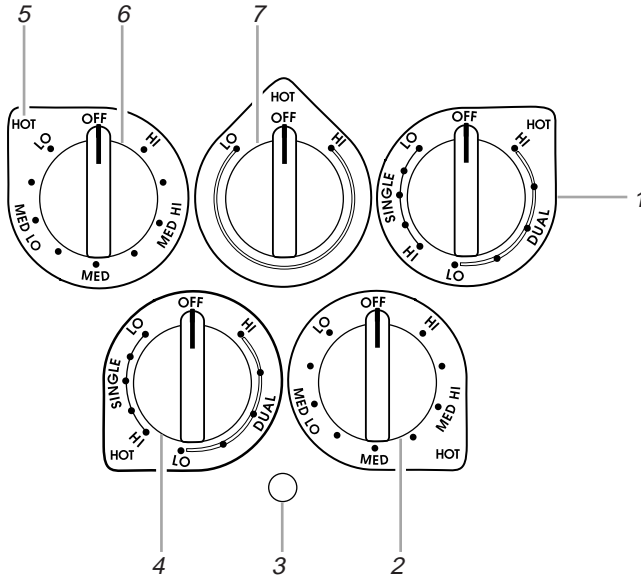
CONSERVEZ CES INSTRUCTIONS

PIÈCES ET CARACTÉRISTIQUES

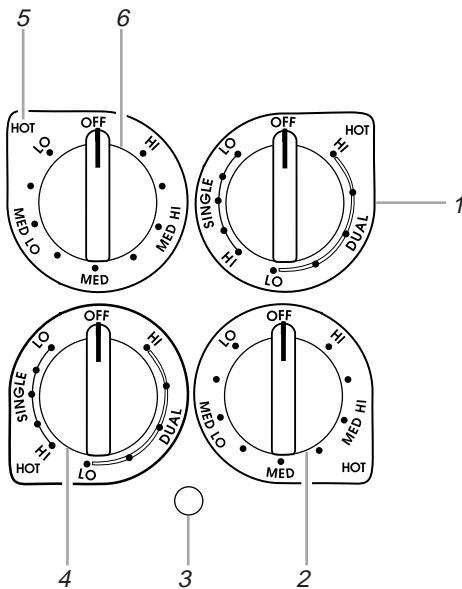
Ce manuel couvre différents modèles. La table de cuisson que vous avez achetée peut comporter quelques-uns ou tous les articles énumérés. L'emplacement et l'apparence des caractéristiques illustrées peuvent être différents de ceux de votre modèle.

Tableaux de commande

Modèles de 36 po (91,4 cm) à commandes à boutons

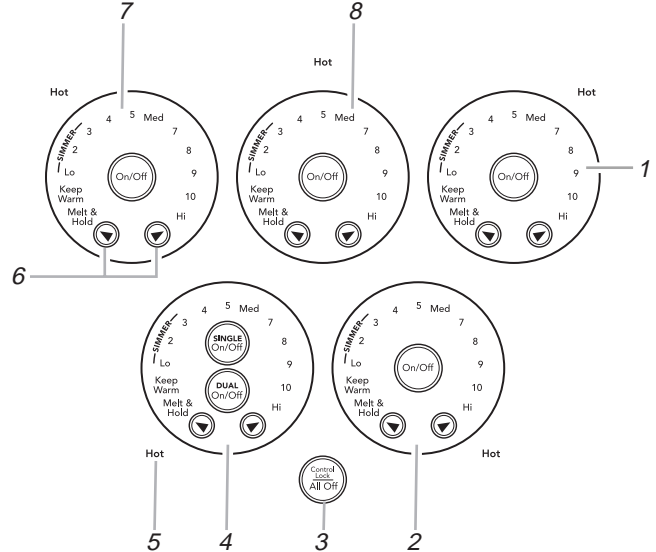


Modèles de 30 po (76,2 cm) à commandes à boutons

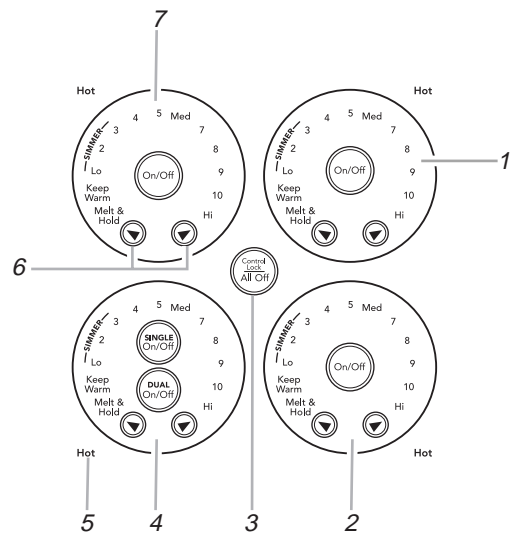


1. Bouton de commande arrière droit (élément à double circuit sur certains modèles)
2. Bouton de commande avant droit (élément halogène sur certains modèles)
3. Témoin d'alimentation
4. Bouton de commande avant gauche (élément à double circuit sur certains modèles)
5. Témoin lumineux de surface chaude
6. Bouton de commande arrière gauche (élément halogène sur certains modèles)
7. Bouton de commande droit central (élément Keep Warm sur certains modèles)

Modèles de 36 po (91,4 cm) à commandes tactiles



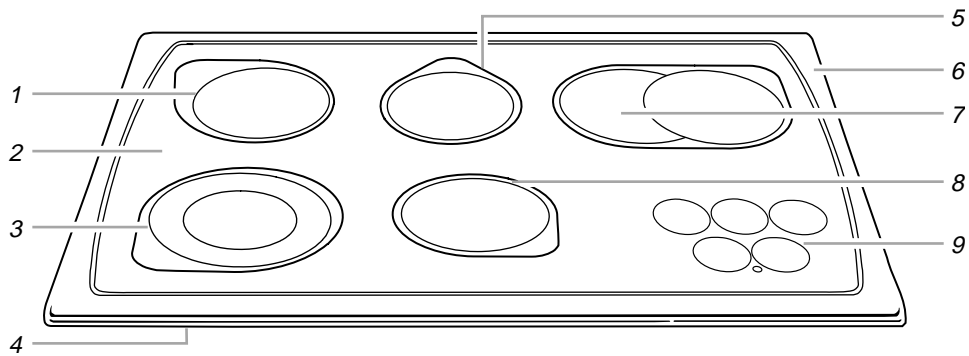
Modèles de 30 po (76,2 cm) à commandes tactiles



1. Commande tactile arrière droite (fonction Simmer; fonction Keep Warm; fonction Melt & Hold)
2. Commande tactile avant droite (fonction Simmer; fonction Keep Warm; fonction Melt & Hold)
3. Verrouillage des commandes ALL OFF
4. Commande tactile avant gauche (fonction Simmer; fonction Keep Warm; fonction Melt & Hold; élément à double circuit)
5. Témoins lumineux de surface chaude
6. Commande tactile d'augmentation/diminution de la température
7. Commande tactile arrière gauche (fonction Simmer; fonction Keep Warm; fonction Melt & Hold)
8. Commande tactile arrière centrale (fonction Simmer; fonction Keep Warm; fonction Melt & Hold)

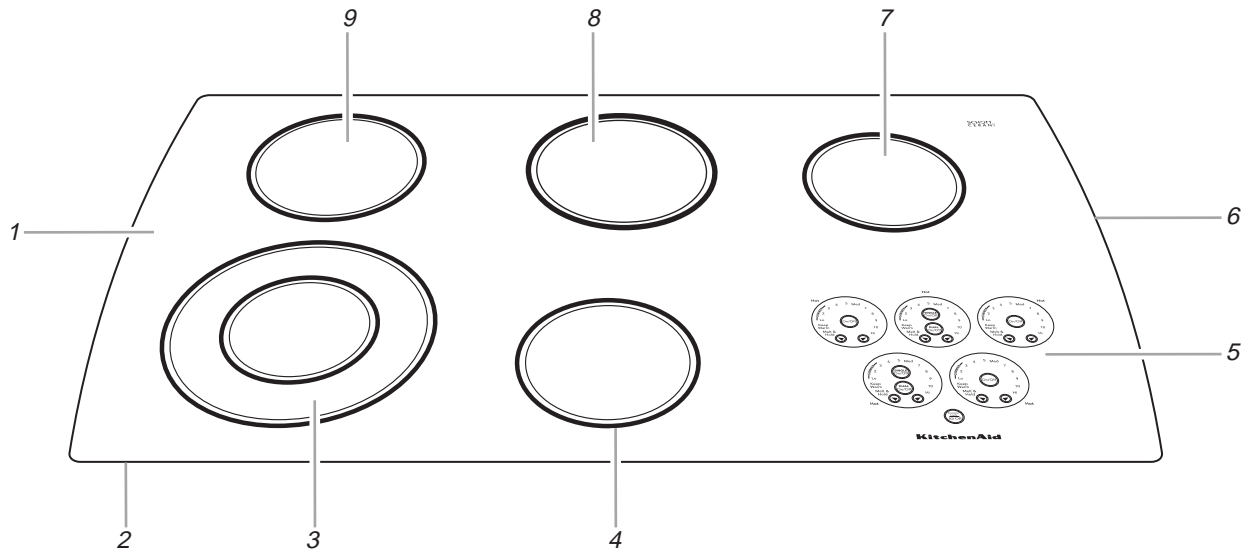
Tables de cuisson

Modèles à commandes à boutons (illustration : modèle de 36 po [91,4 cm])



- | | | |
|---|--|--|
| 1. Zone de cuisson à la surface arrière gauche (élément halogène sur certains modèles) | 4. Plaque signalétique des numéros de modèle et de série | 8. Zone de cuisson à la surface avant droite (élément halogène sur certains modèles) |
| 2. Table de cuisson en vitrocéramique | 5. Zone de cuisson à la surface arrière centrale (Élément de réchauffage sur certains modèles) | 9. Tableau de commande |
| 3. Zone de cuisson à la surface avant gauche (avec élément à double circuit sur certains modèles) | 6. Cadre en acier inoxydable (sur certains modèles) | |
| | 7. Zone de cuisson à la surface arrière droite (élément à double circuit sur certains modèles) | |

Modèles à commandes tactiles (illustration : modèle de 36 po [91,4 cm])



- | | | |
|---|---|--|
| 1. Table de cuisson en vitrocéramique | 4. Zone de cuisson à la surface avant droite | 8. Zone de cuisson à la surface arrière centrale |
| 2. Plaque signalétique de numéro de modèle et de série (située sous la table de cuisson sur la caisse en métal) | 5. Tableau de commande | 9. Zone de cuisson à la surface arrière gauche |
| 3. Zone de cuisson à la surface avant gauche (avec élément à double circuit) | 6. Cadre en acier inoxydable (sur certains modèles) | |
| | 7. Zone de cuisson à la surface arrière droite | |

COMMANDES DE LA TABLE DE CUISSON

Commandes à boutons

⚠ AVERTISSEMENT



Risque d'incendie

Fermer tous les réglages lorsque la cuisson est terminée.

Le non-respect de cette instruction peut causer un décès ou un incendie.

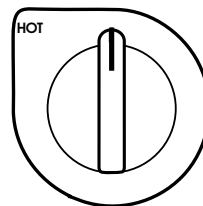
Les boutons de commande peuvent être réglés à n'importe quelle position entre HI et LO. Pousser et tourner le bouton au réglage. Utiliser le tableau suivant comme guide lors du réglage des niveaux de chaleur.

RÉGLAGE	UTILISATION RECOMMANDÉE
HI	<ul style="list-style-type: none"> ■ Pour commencer la cuisson des aliments. ■ Pour porter un liquide à ébullition.
6-8 [MED- HI]	<ul style="list-style-type: none"> ■ Pour maintenir une ébullition rapide. ■ Pour brunir ou saisir rapidement les aliments.
5 [MED]	<ul style="list-style-type: none"> ■ Pour maintenir une ébullition lente. ■ Pour faire frire la volaille ou la viande. ■ Pour faire cuire pudding, sauces, glaçage.
2-4 [MED- LO]	<ul style="list-style-type: none"> ■ Pour faire mijoter ou étuver les aliments. ■ Mijotage.
LO	<ul style="list-style-type: none"> ■ Pour garder les aliments au chaud. ■ Pour faire fondre le chocolat ou le beurre.
ÉLÉMENT À DOUBLE CIRCUIT (sur certains modèles en vitrocéramique)	<ul style="list-style-type: none"> ■ Préparation de conserves à la maison ■ Ustensile de cuisson à grand diamètre. ■ Grandes quantités de nourriture.

N'OUBLIEZ PAS : Quand l'appareil est utilisé, toute la surface de la table de cuisson peut devenir chaude.

Témoin lumineux de surface chaude (sur les modèles à commandes à boutons)

Le témoin de surface chaude reste allumé tant qu'une surface de cuisson est trop chaude pour être touchée, même après que la ou les surfaces de cuisson sont éteintes.



1. Témoin lumineux de surface chaude

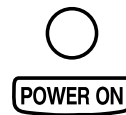
Si la table de cuisson est en marche lors d'une panne de courant, les témoins lumineux de surface chaude resteront allumés une fois le courant restauré. Ils resteront allumés jusqu'à ce que la table de cuisson ait refroidi complètement.

Témoins lumineux MARCHÉ

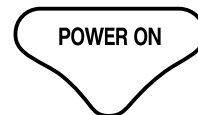
Chaque bouton de commande a un témoin lumineux MARCHÉ (POWER ON). Le témoin lumineux s'allume lorsque le bouton de commande est en marche.



Sur les modèles en acier inoxydable de 30 po (76,2 cm)
Sur les modèles en acier inoxydable de 36 po (91,4 cm)



Sur les modèles de 30 po (76,2 cm)
Sur les modèles de 36 po (91,4 cm)



Sur les modèles de 15 po (38,1 cm)

Commandes électroniques tactiles

⚠ AVERTISSEMENT



Risque d'incendie

Fermer tous les réglages lorsque la cuisson est terminée.

Le non-respect de cette instruction peut causer un décès ou un incendie.

Les commandes électroniques tactiles offrent une grande variété de réglages de chaleur pour des résultats de cuisson optimaux. Lorsqu'on fait fondre des aliments comme du chocolat ou du beurre, ou lorsqu'on fait lever du pain, la zone de cuisson à la surface peut être réglée à MELT & HOLD (fondre et garder) pour un fonctionnement minimal de l'élément.

Pour un fonctionnement maximal de l'élément, toutes les commandes tactiles de la table de cuisson peuvent être réglées à HI (élevé) lorsqu'on porte un liquide à ébullition rapidement. Appuyer sur la flèche "vers le bas" pour atteindre immédiatement le réglage HI (élevé).

Utilisation :

1. Appuyer sur ON/OFF (marche/arrêt).
2. Appuyer sur la flèche "vers le haut" ou "vers le bas" pour augmenter ou diminuer la puissance.
3. Pour sélectionner un niveau de puissance entre HI et MELT & HOLD, appuyer sur une des flèches jusqu'à ce que le niveau désiré soit atteint.
4. À la fin de la cuisson, appuyer sur ON/OFF pour éteindre la ou les zone(s) de cuisson à la surface individuellement, ou appuyer sur ALL OFF (toutes commandes éteintes) pour éteindre tous les éléments en même temps.

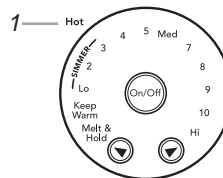
Utiliser le tableau suivant comme guide lors du réglage des niveaux de chaleur.

RÉGLAGE	UTILISATION RECOMMANDÉE
HI	<ul style="list-style-type: none"> ■ Pour commencer la cuisson des aliments. ■ Pour porter un liquide à ébullition.
7-10 [MED- HI]	<ul style="list-style-type: none"> ■ Pour maintenir une ébullition rapide. ■ Pour brunir ou saisir rapidement les aliments.
MED	<ul style="list-style-type: none"> ■ Pour maintenir une ébullition lente. ■ Pour frire ou sauter les aliments. ■ Pour cuire les soupes et les sauces.
4-5	<ul style="list-style-type: none"> ■ Pour faire mijoter ou étuver les aliments.
LO-3 [SIMMER] (mijotage)	<ul style="list-style-type: none"> ■ Fournit le réglage le plus bas de mijotage/chaleur. ■ Mijotage (gamme de températures de mijotage).
ÉLÉMENT À DOUBLE CIRCUIT	<ul style="list-style-type: none"> ■ Préparation de conserves à la maison ■ Ustensile de cuisson à grand diamètre. ■ Grandes quantités de nourriture.
FONCTION MELT & HOLD (fondre et garder)	<ul style="list-style-type: none"> ■ Pour faire fondre le chocolat ou le beurre.
FONCTION KEEP WARM (garde au chaud)	<ul style="list-style-type: none"> ■ Pour garder au chaud les aliments cuits.

N'OUBLIEZ PAS : Quand l'appareil est utilisé, toute la surface de la table de cuisson peut devenir chaude.

Témoins lumineux de surface chaude (sur les modèles à commandes tactiles)

Les témoins lumineux de surface chaude sont situés près de chaque commande tactile de la table de cuisson. Les témoins de surface chaude restent allumés tant qu'une surface de cuisson est trop chaude pour être touchée, même après que la ou les surfaces de cuisson sont éteintes.



1. Témoin lumineux de surface chaude

Si la table de cuisson est en marche lors d'une panne de courant, les témoins lumineux de surface chaude resteront allumés une fois le courant restauré. Ils resteront allumés jusqu'à ce que la table de cuisson ait refroidi complètement.

ALL OFF (toutes commandes éteintes) (sur les modèles à commandes électroniques tactiles)

Les commandes tactiles ALL OFF de la table de cuisson éteignent toutes les zones de cuisson à la surface qui sont utilisées en même temps.

Verrouillage des commandes (sur les modèles à commandes électroniques tactiles)

La commande tactile de verrouillage des commandes (Control Lock) de la table de la cuisson prévient l'utilisation non intentionnelle des zones de cuisson à la surface. Lorsque la table de cuisson est verrouillée, les zones de cuisson à la surface ne peuvent pas être allumées grâce aux commandes tactiles de la table de cuisson.

Pour verrouiller la table de cuisson : Appuyer sur la touche Control Lock/ALL OFF (verrouillage/toutes commandes éteintes) pendant 5 secondes. Au bout de 5 secondes, CONTROL LOCK s'affichera en rouge, indiquant que les commandes tactiles de la table de cuisson sont en position verrouillée.

Pour déverrouiller la table de cuisson : Appuyer sur la touche Control Lock/ALL OFF (verrouillage/toutes commandes éteintes) pendant 5 secondes.

UTILISATION DE LA TABLE DE CUISSON

Vitrocéramique

La zone cuisson à la surface sera rouge lorsqu'un élément est allumé. Elle fonctionnera par intermittence, à tous les réglages, pour maintenir le niveau de chaleur sélectionné.

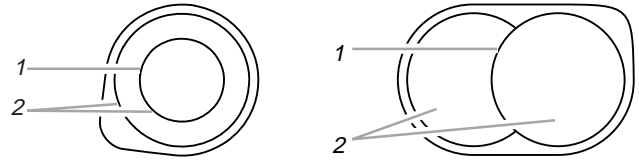
Il est normal que la surface de vitrocéramique blanche semble changer de couleur lorsque les zones de cuisson à la surface sont chaudes. Lorsque le verre refroidit, il reviendra à sa couleur originale.

Essuyer la table de cuisson avant et après chaque utilisation aidera à la conserver sans taches et fournira un chauffage homogène. Voir la section "Nettoyage général" pour plus de renseignements.

Éléments à double circuit

(sur les modèles à commandes à boutons et à commandes électroniques tactiles)

COMMANDES À BOUTONS



1. Dimension simple
2. Dimension double

Les éléments à double circuit offrent une souplesse d'utilisation en fonction de la taille de l'ustensile de cuisson. La dimension simple peut être utilisée de la même manière qu'un élément ordinaire. La dimension double combine l'élément simple et l'élément externe; elle est recommandée pour les ustensiles de cuisson de plus grande dimension.

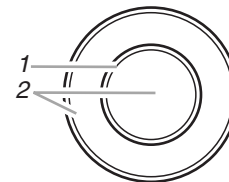
Utilisation de l'élément SIMPLE :

1. Appuyer sur le bouton et le tourner dans le sens antihoraire, de la position OFF (arrêt) à la zone SINGLE (simple) n'importe où entre HI et LO.
2. Pousser et tourner le bouton à OFF après avoir terminé.

Utilisation de l'élément DOUBLE :

1. Appuyer sur le bouton et le tourner dans le sens horaire, de la position OFF (arrêt) à la zone DUAL (double) n'importe où entre HI et LO.
2. Pousser et tourner le bouton à OFF après avoir terminé.

COMMANDES ÉLECTRONIQUES TACTILES

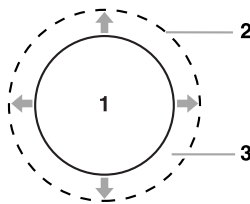


1. Dimension simple
2. Dimension double

Utilisation de l'élément SIMPLE :

1. Appuyer sur SINGLE ON/OFF (simple marche/arrêt).
2. Appuyer sur la flèche "vers le haut" ou "vers le bas" pour augmenter ou diminuer la puissance.
3. Pour sélectionner un niveau de puissance entre HI et MELT & HOLD, appuyer sur une des flèches jusqu'à ce que le niveau désiré soit atteint.
4. À la fin de la cuisson, appuyer sur SINGLE ON/OFF pour éteindre la ou les zone(s) de cuisson à la surface individuellement, ou appuyer sur ALL OFF (toutes commandes éteintes) pour éteindre tous les éléments en même temps.

- Ne pas ranger de bocaux ou de boîtes de conserve au-dessus de la table de cuisson. La chute d'un objet lourd ou dur sur la table de cuisson pourrait la craqueler.
- Ne pas laisser de couvercle chaud sur la table de cuisson. Lorsque la table de cuisson refroidit, de l'air peut s'accumuler entre le couvercle et la table de cuisson, et la vitrocéramique pourrait se casser lorsqu'on enlève le couvercle.
- Nettoyer les taches et renversements de substances sucrées dès que le témoin lumineux de surface chaude s'éteint. Si l'on n'essuie pas la surface pendant qu'elle est encore chaude, des piqûres de corrosion peuvent survenir.
- Ne pas faire glisser d'ustensiles de cuisson sur la table de cuisson. Les fonds en aluminium ou en cuivre et les finis rugueux des ustensiles de cuisson pourraient laisser des égratignures ou des marques sur la table de cuisson.
- Ne pas faire cuire sur la table de cuisson du maïs soufflé dans des récipients préemballés en aluminium. Cela pourrait laisser des marques d'aluminium qui ne peuvent être complètement enlevées.
- Ne pas laisser d'objets qui pourraient fondre, comme du plastique ou du papier aluminium, toucher une partie quelconque de la table de cuisson.
- Ne pas utiliser la table de cuisson comme planche à découper.
- Utiliser des ustensiles de cuisson de la même taille environ que la zone de cuisson à la surface. L'ustensile de cuisson ne doit pas dépasser de plus de 1 po (2,5 cm) de la zone de cuisson.



1. Zone de cuisson à la surface
2. Ustensiles de cuisson/autoclave
3. Dépassement maximum de 1 po (2,5 cm)

- Utiliser des ustensiles de cuisson à fond plat pour une meilleure conduction de la chaleur et une meilleure utilisation de l'énergie. Les ustensiles de cuisson à fond arrondi, déformé, cannelé ou bosselé pourraient causer un chauffage inégal et de mauvais résultats de cuisson.
- Vérifier que le récipient est plat en plaçant le bord plat d'une règle en travers du fond du récipient. Lorsque l'on fait tourner la règle, aucun espace ni aucune lumière ne devrait être visible entre celle-ci et le récipient.
- Les ustensiles de cuisson à fond légèrement cannelé ou à petites stries permettant l'expansion peuvent être utilisés.
- S'assurer que les fonds des casseroles et poêles sont propres et secs avant de les utiliser. Les résidus et l'eau peuvent laisser des dépôts quand ils sont chauffés.
- Ne pas faire cuire d'aliments directement sur la table de cuisson.

Utilisation de l'élément DOUBLE :

1. Appuyer sur DUAL ON/OFF (double marche/arrêt).
2. Appuyer sur la flèche "vers le haut" ou "vers le bas" pour augmenter ou diminuer la puissance.
3. Pour sélectionner un niveau de puissance entre HI et MELT & HOLD, appuyer sur une des flèches jusqu'à ce que le niveau désiré soit atteint.
4. À la fin de la cuisson, appuyer sur DUAL ON/OFF pour éteindre la ou les zone(s) de cuisson à la surface individuellement, ou appuyer sur ALL OFF (toutes commandes éteintes) pour éteindre tous les éléments en même temps.

Fonction Melt & Hold (fondre et garder)

(sur les modèles à commandes électroniques tactiles)

La fonction Melt & Hold est disponible sur tous les éléments de cuisson à la surface, et est idéale pour faire fondre du chocolat ou du beurre.

Utilisation :

1. Appuyer sur ON/OFF (marche/arrêt).
2. Appuyer sur la flèche "vers le haut" une fois pour MELT & HOLD.
3. À la fin de la cuisson, appuyer sur ON/OFF (marche/arrêt) pour éteindre la zone de cuisson à la surface.

Fonction Keep Warm (garder au chaud)

(sur les modèles à commandes électroniques tactiles)

⚠ AVERTISSEMENT

Risque d'empoisonnement alimentaire

Ne pas laisser des aliments reposer plus d'une heure avant ou après la cuisson.

Le non-respect de cette instruction peut causer un empoisonnement alimentaire ou une maladie.

La fonction "Keep Warm" (garder au chaud) peut être utilisée pour garder des aliments cuits au chaud; elle peut être utilisée que les zones de cuisson à la surface soient utilisées ou non.

Ceci n'est pas recommandé pour faire chauffer des aliments froids. Lorsqu'on utilise la fonction "Keep Warm" (garder au chaud), le témoin lumineux ne sera pas rouge comme les zones de cuisson, mais s'allumera sur le tableau de commande.

Utiliser seulement les ustensiles et plats recommandés pour l'utilisation au four et sur la table de cuisson, et qui ont un fond plat pour être directement en contact avec la surface de la table de cuisson. Utiliser des mitaines de four ou des poignées pour retirer les ustensiles.

Couvrir tous les aliments avec un couvercle ou du papier d'aluminium. Ne pas utiliser de pellicule de plastique pour couvrir les aliments car elle pourrait fondre sur la surface de la table de cuisson. Lors du réchauffage de produits de boulangerie, prévoir une petite ouverture pour laisser l'humidité s'échapper.

La qualité des aliments peut se détériorer si on les laisse sur la fonction Keep Warm (garder au chaud) pendant une longue période. Pour obtenir de meilleurs résultats, ne pas garder les aliments au chaud plus de 30 à 45 minutes.

Sur les modèles à commandes tactiles, l'élément Keep Warm (garde au chaud) est disponible sur toutes les zones de cuisson à la surface, et peut être utilisé soit comme élément pour réchauffer les aliments, soit en fonctionnement normal.

Utilisation :

1. Appuyer sur ON/OFF (marche/arrêt).
2. Appuyer sur la flèche "vers le haut" deux fois pour KEEP WARM (garder au chaud).
3. À la fin de la cuisson, appuyer sur ON/OFF (marche/arrêt) pour éteindre la zone de cuisson à la surface.

Préparation de conserves à la maison

Lors de la préparation de conserves pendant de longues périodes, alterner l'utilisation des surfaces de cuisson, des éléments ou des brûleurs de surface entre les quantités préparées. Cette alternance permet aux dernières surfaces utilisées de refroidir.

- Centrer l'autoclave sur la grille ou la plus grande surface de cuisson ou sur le plus grand élément. L'autoclave ne doit pas dépasser de plus de 1 po (2,5 cm) de la surface de cuisson.
- Ne pas placer l'autoclave sur deux surfaces de cuisson, deux éléments ou deux brûleurs de surface à la fois.
- N'utiliser que des autoclaves à fond plat.
- Pour plus de renseignements, aux É.-U., contacter le bureau local du Département de l'Agriculture. Au Canada, contacter Agriculture Canada. Les compagnies qui fabriquent des produits pour la préparation de conserves peuvent aussi offrir de l'aide.

Ustensiles de cuisson

IMPORTANT : Ne jamais laisser d'ustensile de cuisson vide sur une surface de cuisson, un élément ou un brûleur de surface chauds.

Les ustensiles de cuisson idéals doivent avoir un fond plat, des parois droites, un couvercle qui ferme bien et le matériau doit être d'épaisseur moyenne à forte.

Les finis rugueux peuvent égratigner la table de cuisson. L'aluminium et le cuivre peuvent être utilisés comme fond ou base d'un ustensile de cuisson. Toutefois, lorsqu'ils sont utilisés comme base, ils peuvent laisser des marques permanentes sur la surface de cuisson ou les grilles.

Le matériau d'un ustensile a une influence sur la rapidité et l'uniformité de la transmission de la chaleur, lesquelles contribuent aux résultats de cuisson. Un fini antiadhésif a les mêmes caractéristiques que son matériau de base. Par exemple, un ustensile de cuisson en aluminium avec un fini antiadhésif aura les propriétés de l'aluminium.

Utiliser le tableau suivant comme guide pour les caractéristiques du matériau d'ustensile de cuisson.

USTENSILE	CARACTÉRISTIQUES
Aluminium	<ul style="list-style-type: none">■ Chauffe rapidement et uniformément.■ Convient à tous les genres de cuisson.■ L'épaisseur moyenne ou forte convient le mieux pour la plupart des tâches de cuisson.
Fonte	<ul style="list-style-type: none">■ Chauffe lentement et uniformément.■ Convient pour le brunissage et la friture.■ Maintient la chaleur pour une cuisson lente.

USTENSILE	CARACTÉRISTIQUES
Céramique ou vitrocéramique	<ul style="list-style-type: none"> ■ Suivre les instructions du fabricant. ■ Chauffe lentement, mais inégalement. ■ De meilleurs résultats sont obtenus sur les réglages de chaleur basse à moyenne.
Cuivre	<ul style="list-style-type: none"> ■ Chauffe très rapidement et uniformément.
Terre cuite	<ul style="list-style-type: none"> ■ Suivre les instructions du fabricant. ■ Utiliser des réglages de température basse.
Acier émaillé en porcelaine ou fonte émaillée	<ul style="list-style-type: none"> ■ Voir acier inoxydable ou fonte.
Acier inoxydable	<ul style="list-style-type: none"> ■ Chauffe rapidement, mais inégalement. ■ Un fond ou une base d'aluminium ou de cuivre sur l'acier inoxydable procure un chauffage égal.

ENTRETIEN DE LA TABLE DE CUISSON

Nettoyage général

IMPORTANT : Avant le nettoyage, s'assurer que toutes les commandes sont éteintes et la table de cuisson sont froids. Toujours suivre les instructions sur les étiquettes des produits de nettoyage.

Du savon, de l'eau et un chiffon doux ou une éponge sont recommandés à moins d'indication contraire.

ACIER INOXYDABLE (sur certains modèles)

Ne pas utiliser de tampons de récurage savonneux, nettoyeurs abrasifs, crème à polir pour table de cuisson, tampons en laine d'acier, chiffons de lavage rudes ou certains essuie-tout. Des dommages peuvent survenir.

Frotter dans la direction du grain pour éviter les dommages.

- Nettoyant et poli pour acier inoxydable (non compris) : Voir la couverture arrière pour obtenir des informations de commande.
- Détergent liquide ou nettoyant tout-usage : Rincer à l'eau propre et sécher avec un chiffon doux sans charpie.
- Vinaigre pour les taches d'eau dure.

COMMANDES DE LA TABLE DE CUISSON

Ne pas utiliser de laine d'acier, de produits de nettoyage abrasifs ou de nettoyant à four.

Ne pas immerger les boutons de commande.

Lors de la réinstallation des boutons, s'assurer que chaque bouton est à la position OFF (arrêt).

Sur certains modèles, ne pas enlever les joints sous les boutons.

- Savon et eau ou lave-vaisselle
Tirer les boutons directement hors du tableau de commande pour les enlever.

VITROCÉRAMIQUE

Ne pas utiliser de laine d'acier, de poudre à récurer abrasive, d'eau de Javel, de produit de décapage de la rouille ou d'ammoniaque parce que ces produits peuvent endommager la surface.

Toujours essuyer avec une éponge ou un linge propre mouillé et sécher à fond pour prévenir les rayures et les taches.

La crème à polir pour table de cuisson est recommandée pour une utilisation ordinaire pour aider à éviter les égratignures, les piqûres et l'abrasion et pour entretenir la table de cuisson. Elle peut être commandée comme accessoire. Voir "Assistance ou service" pour commander.

Un grattoir pour table de cuisson est aussi recommandé pour les taches tenaces et peut être commandé comme accessoire. Voir "Assistance ou service" pour commander. Le grattoir pour table de cuisson utilise des lames de rasoir. **Ranger les lames de rasoir hors de portée des enfants.**

Souillure légère à modérée

- Essuie-tout ou éponge humide propre :
Nettoyer pendant que la table de cuisson est encore tiède. Vous devriez porter des mitaines de four pour ce nettoyage.

Renversements de matières sucrées (gelées, confiseries, sirop)

- Grattoir pour table de cuisson :
Nettoyer pendant que la table de cuisson est encore tiède. Vous devriez porter des mitaines de four pour ce nettoyage.
- Crème à polir pour table de cuisson et essuie-tout propre et humide :
Nettoyer dès que la table de cuisson a refroidi. Frotter la crème sur la surface avec un essuie-tout ou un linge doux humide. Continuer de frotter jusqu'à ce que la pellicule blanche disparaisse.

Souillure épaisse, rayures foncées, piqûres et décoloration

- Crème à polir pour table de cuisson ou produit de nettoyage non abrasif :
Frotter le produit dans la souillure avec un essuie-tout ou un linge doux humide. Continuer de frotter jusqu'à ce que la pellicule blanche disparaisse.

Souillure cuite

- Crème à polir pour table de cuisson et grattoir :
Frotter la crème dans la souillure avec un essuie-tout humide. Tenir le grattoir aussi à plat que possible sur la surface et gratter. Répéter pour les taches tenaces. Polir toute la table de cuisson avec la crème et un essuie-tout.

Marques métalliques provenant de l'aluminium et du cuivre

- Crème à polir pour table de cuisson :
Nettoyer dès que la table de cuisson a refroidi. Frotter la crème sur la surface avec un essuie-tout ou un linge doux humide. Continuer de frotter jusqu'à ce que la pellicule blanche disparaisse. Les marques ne disparaîtront pas totalement, mais après plusieurs nettoyages, elles deviendront moins apparentes.

Petites éraflures et abrasions

- Crème à polir pour table de cuisson :
Frotter la crème sur la surface avec un essuie-tout ou un linge doux humide. Continuer de frotter jusqu'à ce que la pellicule blanche disparaisse. Les éraflures et les abrasions n'affectent pas le rendement et après plusieurs nettoyages, elles deviendront moins apparentes.

DÉPANNAGE

Essayer les solutions suggérées ici d'abord afin d'éviter le coût d'une visite de service non nécessaire.

Rien ne fonctionne

- **La filerie de la table de cuisson convient-elle?** Voir les "Instructions d'installation" pour plus de renseignements.
- **Un fusible est-il grillé ou le disjoncteur s'est-il ouvert?** Remplacer le fusible ou remettre le disjoncteur en fonction.

La table de cuisson ne fonctionne pas

- **Sur les modèles avec commandes à boutons, le bouton de commande est-il correctement réglé?** Enfoncer le bouton avant de le tourner à un réglage.
- **Sur les modèles avec commandes électroniques tactiles, la commande de la table de cuisson est-elle correctement réglée?** Appuyer sur ON/OFF (marche/arrêt) avant de sélectionner un réglage.
- **Sur les modèles avec commandes tactiles, le verrouillage de la table de cuisson "Control Lock/ALL OFF" (verrouillage des commandes/ toutes commandes éteintes) est-il réglé?** Voir les sections "ALL OFF" (toutes commandes éteintes) ou "Control Lock" (verrouillage des commandes).

Chaleur excessive autour des ustensiles de cuisson sur la table de cuisson

- **L'ustensile de cuisson est-il de dimension appropriée?** Utiliser un ustensile de cuisson à peu près de la même dimension que la surface de cuisson, l'élément ou le brûleur de surface. L'ustensile de cuisson ne doit pas dépasser de plus de 1 po (2,5 cm) hors de la surface de cuisson.

La table de cuisson comporte des témoins lumineux clignotants

- **Y a-t-il des témoins lumineux sur la table de cuisson qui s'allument et s'éteignent par intermittence?**
 1. S'assurer que les commandes de la table de cuisson sont sur OFF (arrêt).
 2. Bien nettoyer le tableau de commande tactile de la table de cuisson (voir la section "Nettoyage général").
 3. Si les témoins lumineux de la table de cuisson continuent de clignoter, déconnecter la source de courant électrique ou débrancher la table de cuisson.
 4. Au bout de quelques secondes, reconnecter la source de courant électrique ou brancher la table de cuisson.
 5. Si les témoins lumineux continuent de clignoter, appeler pour obtenir un service.

Les résultats de cuisson sur la table de cuisson ne sont pas les résultats prévus

- **Utilise-t-on un ustensile de cuisson approprié?** Voir la section "Ustensiles de cuisson".
- **La commande de la table de cuisson est-elle réglée au niveau approprié de chaleur?** Voir la section "Commandes de la Table de Cuisson".
- **L'appareil est-il d'aplomb?** Nivelier l'appareil. Voir les instructions d'installation.

ASSISTANCE OU SERVICE

Avant de faire un appel pour assistance ou service, consulter la section "Dépannage". Ce guide peut vous faire économiser le coût d'une visite de service. Si vous avez encore besoin d'aide, suivre les instructions ci-dessous.

Lors d'un appel, veuillez connaître la date d'achat, le numéro de modèle et le numéro de série au complet de l'appareil. Ces renseignements nous aideront à mieux répondre à votre demande.

Si vous avez besoin de pièces de rechange

Si vous avez besoin de commander des pièces de rechange, nous vous recommandons d'employer uniquement des pièces d'origine. Les pièces d'origine fonctionneront bien parce qu'elles sont fabriquées avec la même précision que celles utilisées dans la fabrication de chaque nouvel appareil KITCHENAID®.

Pour obtenir des pièces d'origine dans votre région, composez le numéro de téléphone de notre Centre d'interaction avec la clientèle ou avec le centre de service désigné de KitchenAid le plus proche.

Pour des questions relatives aux produits, veuillez appeler sans frais le Centre d'interaction avec la clientèle de KitchenAid Canada au : **1-800-461-5681**

Lundi à vendredi 8 h - 18 h HNE.

Samedi 8 h 30 - 16 h 30 HNE.

Nos consultants vous renseigneront sur les sujets suivants :

- Caractéristiques et spécifications sur toute notre gamme d'appareils électroménagers.
- Références aux marchands locaux.

Pour pièces, accessoires et service

Composer le **1-800-807-6777**. Les techniciens de service désignés par KitchenAid Canada sont formés pour remplir la garantie des produits et fournir un service après la garantie, partout au Canada.

Pour plus d'assistance

Si vous avez besoin de plus d'assistance, vous pouvez soumettre par écrit toute question ou préoccupation à KitchenAid Canada à l'adresse suivante :

Centre d'interaction avec la clientèle
KitchenAid Canada
1901 Minnesota Court
Mississauga, Ontario L5N 3A7

Veuillez inclure dans votre correspondance un numéro de téléphone où on peut vous joindre dans la journée.

GARANTIE DE TABLE DE CUISSON, FOUR ENCASTRÉ ET CUISINIÈRE KITCHENAID®

GARANTIE COMPLÈTE DE UN AN

Pendant un an à partir de la date d'achat, lorsque cet appareil ménager est utilisé et entretenu conformément aux instructions fournies avec le produit, KitchenAid paiera pour les pièces spécifiées par le fabricant et la main-d'oeuvre pour la correction des vices de matériaux ou de fabrication. Les réparations doivent être effectuées par un établissement de service désigné par KitchenAid.

GARANTIE LIMITÉE DE LA DEUXIÈME À LA CINQUIÈME ANNÉE INCLUSIVEMENT SUR LES ÉLÉMENTS ÉLECTRIQUES, TABLE DE CUISSON EN VITROCÉRAMIQUE, BRÛLEURS À GAZ ET SYSTÈME DE COMMANDES TRANSISTORISÉES

Sur les cuisinières et tables de cuisson électriques, de la deuxième à la cinquième année inclusivement à partir de la date d'achat, lorsque cet appareil ménager est utilisé et entretenu conformément aux instructions fournies avec le produit, KitchenAid paiera pour les pièces spécifiées par le fabricant pour tout élément électrique pour la correction des vices de matériaux ou de fabrication.

Sur les cuisinières et tables de cuisson en vitrocéramique, de la deuxième à la cinquième année inclusivement à partir de la date d'achat lorsque cet appareil ménager est utilisé et entretenu conformément aux instructions fournies avec le produit, KitchenAid paiera pour les pièces spécifiées par le fabricant pour la table de cuisson en vitrocéramique. KitchenAid garantit que la table de cuisson en vitrocéramique ne subira pas de décoloration, que le motif sur la table de cuisson ne s'effacera pas par usure, que le joint en caoutchouc entre la table de cuisson en vitrocéramique et le bord en porcelaine ne se fendra pas, que la surface de cuisson en vitrocéramique ne se fendra pas à cause d'un choc thermique et que les éléments de surface ne brûleront pas.

Sur les cuisinières et tables de cuisson à gaz, de la deuxième à la cinquième année inclusivement à partir de la date d'achat, lorsque cet appareil ménager est utilisé et entretenu conformément aux instructions fournies avec le produit, KitchenAid paiera pour les pièces spécifiées par le fabricant pour tout brûleur à gaz pour la correction des vices de matériaux ou de fabrication.

Sur les cuisinières et fours encastrés, de la deuxième à la cinquième année inclusivement à partir de la date d'achat, lorsque cet appareil ménager est utilisé et entretenu conformément aux instructions fournies avec le produit, KitchenAid paiera pour les pièces spécifiées par le fabricant pour la cavité du four et l'intérieur de la porte en porcelaine si la pièce rouille par suite de vices de matériaux ou de fabrication. KitchenAid paiera pour les pièces spécifiées par le fabricant pour le système de commandes transistorisées et le tube magnétron dans les fours combinés, pour corriger les vices de matériaux ou de fabrication.

GARANTIE LIMITÉE DE LA SIXIÈME À LA DIXIÈME ANNÉE INCLUSIVEMENT SUR LA CAVITÉ DU FOUR ET L'INTÉRIEUR DE LA PORTE EN PORCELAINES SUR LES CUISINIÈRES ET FOURS ENCASTRÉS

Sur les cuisinières et fours encastrés seulement, de la sixième à la dixième année inclusivement à partir de la date d'achat, lorsque cet appareil ménager est utilisé et entretenu conformément aux instructions fournies avec le produit, KitchenAid paiera pour les pièces spécifiées par le fabricant pour la cavité du four et l'intérieur de la porte si la pièce rouille par suite de vices de matériaux ou de fabrication.

KitchenAid ne paiera pas pour :

1. Les visites de service pour rectifier l'installation de votre appareil ménager, montrer à l'utilisateur comment utiliser l'appareil ou remplacer des fusibles, rectifier le câblage électrique du domicile ou remplacer des ampoules d'éclairage.
2. Les réparations lorsque l'appareil est utilisé à des fins autres que l'usage unifamilial normal.
3. Le ramassage et la livraison. Votre appareil ménager est conçu pour être réparé à domicile.
4. Les dommages imputables à : accident, modification, mésusage, abus, incendie, inondation, mauvaise installation, actes de Dieu, ou utilisation de produits non approuvés par KitchenAid Canada.
5. Les réparations aux pièces ou systèmes résultant de modifications non autorisées faites à l'appareil.
6. Le coût des pièces de rechange ou de la main-d'oeuvre de réparation pour les appareils utilisés en dehors du Canada.
7. Les frais de voyage ou de transport pour les clients qui habitent dans des régions éloignées.
8. Tous frais de main-d'oeuvre au cours des périodes de garanties limitées.

KITCHENAID ET KITCHENAID CANADA DÉCLINE TOUTE RESPONSABILITÉ AU TITRE DE DOMMAGES SECONDAIRES OU INDIRECTS.

Certains États ou certaines provinces ne permettent pas l'exclusion ou la limitation des dommages secondaires ou indirects : par conséquent, cette exclusion ou limitation peut ne pas s'appliquer dans votre cas. Cette garantie vous donne des droits juridiques spécifiques, et vous pouvez aussi avoir d'autres droits qui varient d'un État à un autre ou d'une province à une autre.

À l'extérieur du Canada et des 50 États des États-Unis, cette garantie ne s'applique pas. Contactez votre marchand KitchenAid autorisé pour déterminer si une autre garantie s'applique.

Si vous avez besoin de service, voir d'abord la section "Dépannage" de ce manuel. Après avoir vérifié la section "Dépannage", une aide additionnelle peut être trouvée en vérifiant la section "Assistance ou Service" ou en téléphonant au centre d'interaction avec la clientèle KitchenAid au **1-800-422-1230** (sans frais) de n'importe où aux États-Unis. Au Canada, contactez votre compagnie de service désignée par KitchenAid ou composez le **1-800-807-6777**.

4/01

Conservez ce manuel et votre reçu de vente ensemble pour référence ultérieure. Pour le service sous garantie, vous devez présenter un document prouvant la date d'achat ou d'installation.

Inscrivez les renseignements suivants au sujet de votre appareil pour mieux obtenir assistance ou service en cas de besoin. Vous devrez connaître les numéros complets de modèle et de série. Cette information est donnée sur la plaque signalétique des numéros de modèle et de série, située sur votre appareil tel qu'indiqué dans la section "Pièces et caractéristiques".

Nom du marchand _____

Adresse _____

Numéro de téléphone _____

Numéro de modèle _____

Numéro de série _____

Date d'achat _____

8285368

© 2003. All rights reserved.
Tous droits réservés.

® Registered Trademark/TM Trademark of KitchenAid, U.S.A., KitchenAid Canada licensee in Canada
® Marque déposée/TM Marque de commerce de KitchenAid, U.S.A., Emploi licencié par KitchenAid Canada au Canada

6/03
Printed in U.S.A.
Imprimé aux É.-U.