

The CC5A and CD5A evaporator coils incorporate proven standards for reliable system operation and performance throughout the life of a quality Bryant Air Conditioner or Heat Pump system. Evaporator coils manufactured by Bryant and installed as part of a total comfort system provide ARI rated performance ratings and are additionally listed with UL, c-UL, and RADCO.

The CC5A is an uncased A-coil that provides flexibility for a wide variety of field applications installed in either a factory manufactured accessory casing, or a field supplied plenum enclosure.

The CD5A is a cased A-coil that is housed in a durable, pre-painted cabinet. The fully insulated cabinet provides for quiet, efficient operation of the evaporator coil.

The coils are available in sizes 018 through 060 (1-1/2–5 tons).

COMMON FEATURES

Durable Condensate Pan—Each coil is equipped with a corrosion resistant condensate drain pan. The condensate drain pan is designed with a slope to help ensure proper drainage, improved moisture removal, and home comfort.

Brass Inserts—Every condensate pan features two 3/4 in. female threaded brass insert connections. The Bryant unique brass inserts provide for a leak-free condensate line connection to prevent water damage.

Refrigerant Connections—The coils are provided with proven sweat-connections for leak-free operation maintaining system reliability.

Burst Pressures—These coils meet or exceed burst pressure of 2100 psi which is at least three to five times the pressure they will see in actual application.

External Piston Location—Provides easy access to the piston metering device, for quick installations and standard service procedures.

Liquid Line Bracket—Holds the piston body in place for quick, safe piston access without needing a back-up wrench.

Neoprene Ring—The ring, installed inside the liquid line connection, is the best option for preventing refrigerant leaks and future service calls. Neoprene works with both Puron® and R-22 Refrigerant.

Protective Tube Sheets—Protect the durable copper tubing from being damaged during the manufacturing and installation process.

Warranty—All Bryant coils feature a 1-year limited warranty on parts, with additional extended warranties available for the system.

CC5A FEATURES

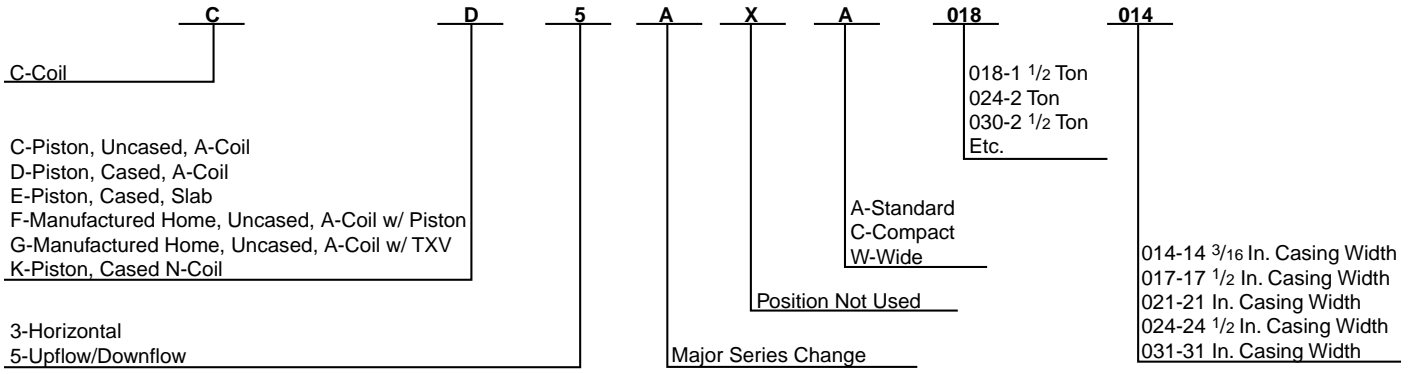
Coil Support—Bryant provides a standard factory support for the uncased coil. This provides precise, durable support in the plenum for easier installations.

Face Plate—A unique Bryant feature that provides for a more professional installation and prevents air leaks at the refrigerant line connections.

CD5A FEATURES

Easy Serviceability—Every coil is designed to slide out of the casing easily, for quick installations and service.

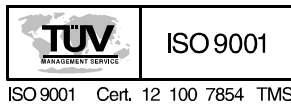
MODEL NUMBER NOMENCLATURE

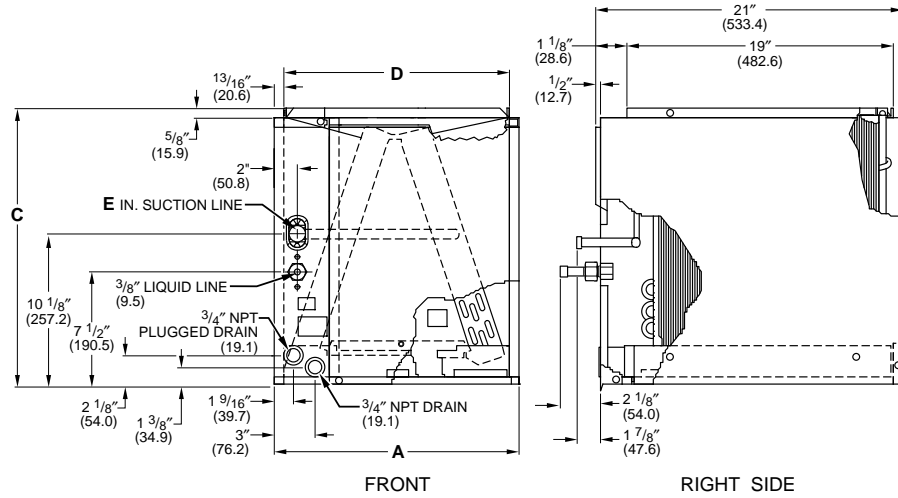


A98057

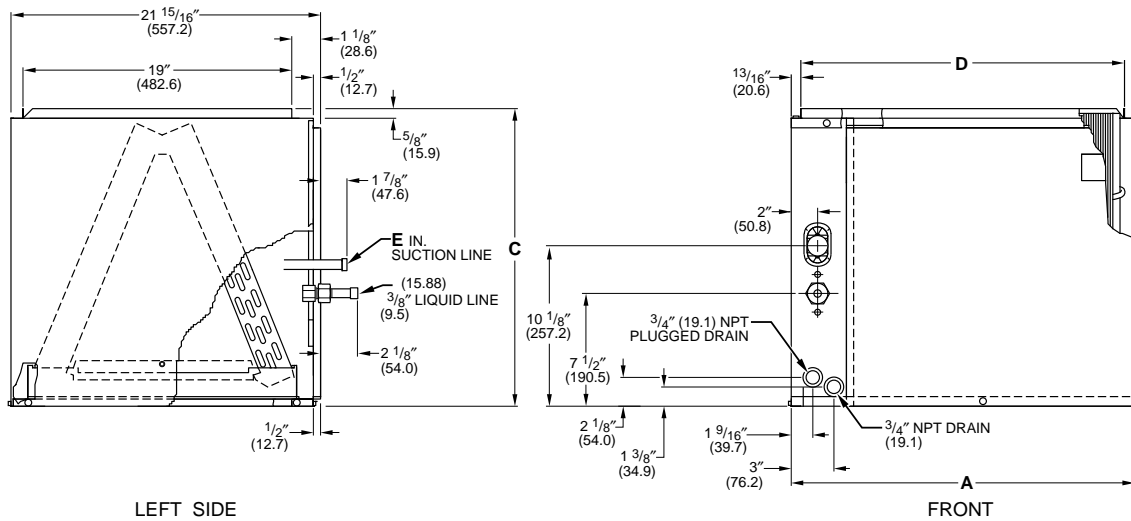


CERTIFICATION APPLIES ONLY
WHEN THE COMPLETE SYSTEM
IS LISTED WITH ARI





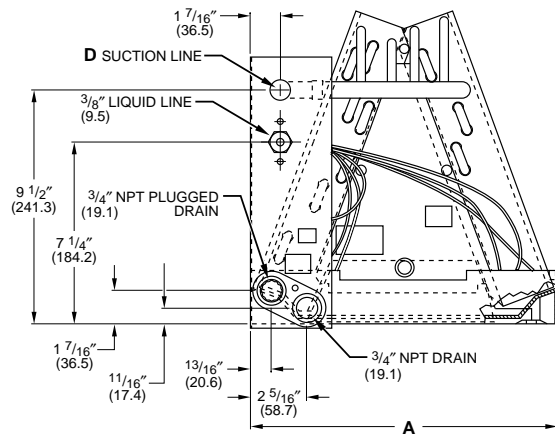
CASED COILS CD5AXA018, 024, 030, 036, 042, 048, CD5AXW024, 036, CD5AXC048



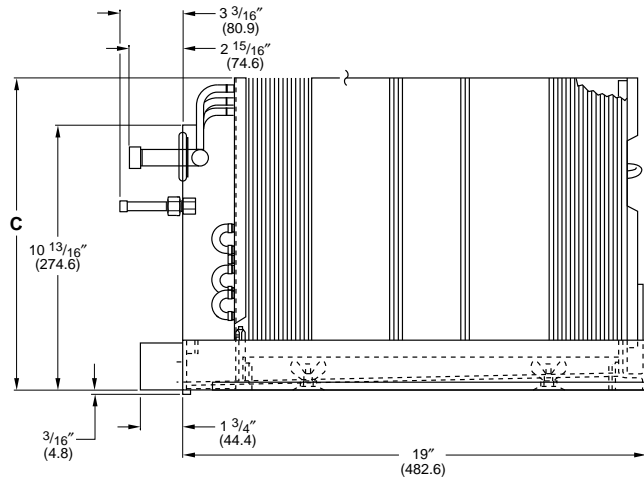
CASED COILS CD5AXW042, 048, 060, CD5AXA060

A98067

UNIT	SERIES	A		C		D		E		SHIPPING WEIGHT	
		In.	mm	In.	mm	In.	mm	In.	mm	Lb.	Kg.
CD5AXA018014	A	14-3/16	360.4	14-5/8	371.5	12-9/16	319.1	5/8	15.88	27	12.2
CD5AXA024014	A	14-3/16	360.4	14-5/8	371.5	12-9/16	319.1	5/8	15.88	29	13.2
CD5AXW024017	A	17-1/2	444.5	17	431.8	15-7/8	403.2	3/4	19.05	37	16.8
CD5AXA030014	A	14-3/16	360.4	17	431.8	12-9/16	319.1	3/4	19.05	32	14.5
CD5AXW030017	A	17-1/2	444.5	17	431.8	15-7/8	403.2	3/4	19.05	37	16.8
CD5AXA036017	A	17-1/2	444.5	20-1/2	520.7	15-7/8	403.2	3/4	19.05	43	19.5
CD5AXA042021	A	21	533.4	19	482.6	19-3/8	492.1	3/4	19.05	45	20.4
CD5AXA048021	A	21	533.4	20-1/2	520.7	19-3/8	492.1	7/8	22.23	45	20.4
CD5AXA048021	A	21	533.4	26-3/8	669.9	19-3/8	492.1	7/8	22.23	57	25.9
CD5AXC048021	A	21	533.4	22	558.8	19-3/8	492.1	7/8	22.23	48	21.8
CD5AXW042024	A	24-1/2	622.3	20-1/2	520.7	22-7/8	581.0	7/8	22.23	49	22.2
CD5AXW048024	A	24-1/2	622.3	22	558.8	22-7/8	581.0	7/8	22.23	53	24.0
CD5AXA060024	A	24-1/2	622.3	22	558.8	22-7/8	581.0	7/8	22.23	53	24.0
CD5AXW060031	A	31-1/2	800.1	22	558.8	29-7/8	758.8	7/8	22.23	66	29.9

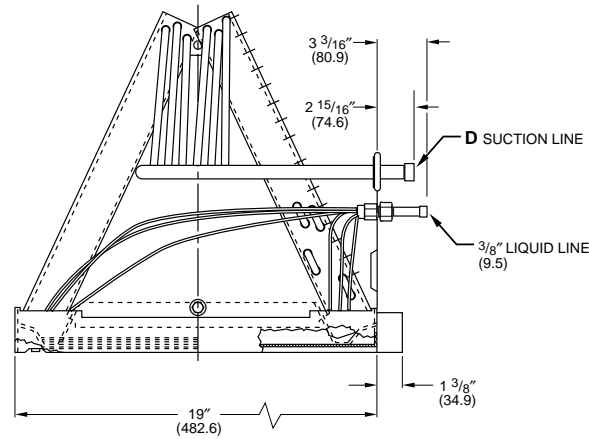


FRONT

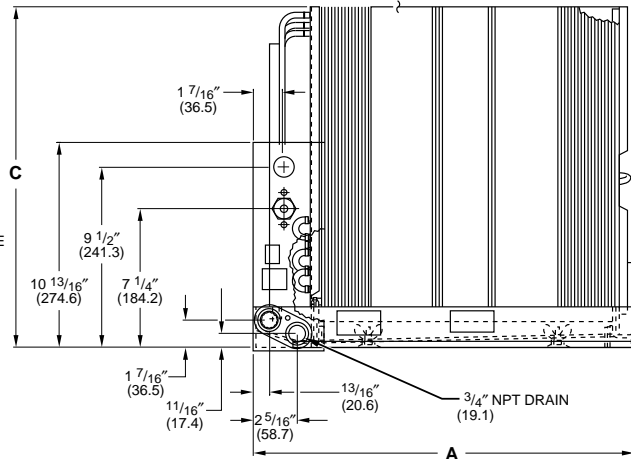


RIGHT SIDE

UNCASED COILS CC5AXA018, 024, 030, 036, 042, CC5AXW024, 030, 036 CC5AXC048



LEFT SIDE



FRONT

UNCASED COILS CC5AXW042, 048, 060, CC5AXA060

A98068

UNIT	SERIES	A		C		D		SHIPPING WEIGHT	
		In.	mm	In.	mm	In.	mm	Lb.	Kg.
CC5AXA018014	A	12-5/8	320.7	10-9/16	268.3	5/8	15.88	15	6.8
CC5AXA024014	A	12-5/8	320.7	12-11/16	322.2	5/8	15.88	17	7.7
CC5AXW024017	A	15-15/16	404.8	14-3/4	374.6	3/4	19.05	22	10.0
CC5AXA030014	A	12-5/8	320.7	15-1/8	384.2	3/4	19.05	20	9.1
CC5AXW030017	A	15-15/16	404.8	14-3/4	374.6	3/4	19.05	22	10.0
CC5AXA036017	A	15-15/16	404.8	18-1/2	469.9	3/4	19.05	24	10.9
CC5AXW036021	A	19-3/8	492.1	17-3/4	450.8	3/4	19.05	26	11.8
CC5AXA042021	A	19-3/8	492.1	17-3/4	450.8	7/8	22.23	26	11.8
CC5AXW042024	A	22-15/16	582.6	16-3/16	411.1	7/8	22.23	28	12.7
CC5AXW048024	A	22-15/16	582.6	20-1/16	509.6	7/8	22.23	31	14.0
CC5AXC048021	A	19-3/8	492.1	20-1/16	509.6	7/8	22.23	27	12.2
CC5AXA060024	A	22-15/16	582.6	20-1/16	509.6	7/8	22.23	31	14.0
CC5AXW060031	A	29-15/16	760.4	20-1/16	509.6	7/8	22.23	39	17.7

COOLING CAPACITIES (MBtuh)

UNIT SIZE	EVAP AIR CFM BF	COIL REFRIGERANT TEMPERATURE* (°F)														
		35			40			45			50			55		
		Evaporator Air — Entering Wet Bulb Temperature (°F)														
		62	67	72	62	67	72	62	67	72	62	67	72	62	67	72
A018	450	22	27	34	18	24	30	14	20	26	11	16	22	9	11	18
	0.17	15	15	14	14	13	13	12	12	11	10	10	9	8	8	8
	600	26	33	41	22	29	37	18	24	32	14	19	27	12	13	21
	0.22	19	18	17	17	16	15	15	14	13	12	12	11	10	10	10
	750	30	38	47	25	33	42	20	28	37	17	22	30	14	15	24
0.25	22	21	20	20	19	17	17	17	15	14	14	13	11	12	11	
A024 W024	600	28	36	44	24	31	39	19	26	34	15	21	29	13	15	23
	0.12	20	20	18	18	17	16	16	15	14	13	13	12	11	11	10
	800	34	43	52	29	37	47	23	32	41	19	25	35	16	18	27
	0.16	25	24	22	22	21	20	19	19	17	16	16	15	13	14	13
	1000	39	49	60	33	43	54	27	36	47	22	29	39	19	20	31
0.18	29	27	25	26	25	23	23	22	20	19	19	17	16	16	15	
A030 W030	750	37	46	57	31	41	52	25	34	45	19	27	38	14	16	25
	0.13	26	25	24	24	23	22	21	20	19	17	17	16	14	14	13
	1000	45	57	70	38	50	63	30	42	55	25	33	46	17	19	30
	0.17	33	31	29	29	28	26	26	25	23	21	22	20	17	18	16
	1250	52	66	81	44	57	73	35	48	63	29	38	53	20	22	34
0.20	39	36	34	35	23	30	30	29	27	25	25	23	20	21	19	
A036 W036	900	42	52	63	35	46	57	28	39	50	22	31	42	19	22	33
	0.10	34	32	30	30	29	27	27	26	24	22	22	21	19	19	18
	1200	50	62	75	43	55	68	34	46	60	28	37	50	23	26	40
	0.13	41	39	35	38	35	32	33	32	29	28	28	25	23	23	22
	1500	57	70	84	49	62	76	39	52	67	33	42	57	27	30	45
0.16	48	44	40	44	41	37	39	37	33	33	33	29	27	28	25	
A042 W042	1050	45	56	68	38	49	61	31	41	54	25	33	45	20	23	36
	0.14	37	54	32	33	31	29	29	28	26	25	24	23	20	21	19
	1400	53	66	79	45	58	72	36	49	63	31	39	53	25	26	42
	0.17	45	41	37	41	38	34	36	34	31	31	30	27	25	28	23
	1750	60	73	87	51	65	80	42	55	70	36	44	60	30	32	47
0.20	52	47	42	47	44	38	42	40	35	36	35	31	30	30	27	
A048 W048	1200	48	59	71	41	52	64	33	44	57	30	36	49	22	26	39
	0.18	39	36	33	36	34	30	32	30	28	30	27	24	22	23	21
	1600	55	68	80	47	60	74	39	51	66	33	41	56	27	30	45
	0.22	47	43	38	43	40	35	38	36	32	33	32	29	27	28	25
	2000	61	74	88	53	66	81	44	57	72	38	46	62	32	34	50
0.25	54	49	42	50	45	39	44	42	36	38	37	33	32	32	29	
C048	1200	44	57	69	36	48	62	30	40	53	25	29	43	20	21	32
	0.11	39	36	33	35	33	30	30	29	27	25	25	23	20	21	19
	1600	52	65	78	43	56	71	37	46	61	31	35	50	25	25	37
	0.15	48	44	38	42	40	35	37	36	32	31	31	28	25	25	24
	2000	57	71	85	49	62	78	42	50	68	36	39	55	29	29	41
0.19	55	50	42	49	46	40	42	41	36	36	37	32	29	29	27	
A060	1600	57	71	87	48	62	78	38	52	68	31	41	57	26	29	44
	0.22	47	44	41	43	40	37	37	36	33	31	31	29	26	26	24
	2000	65	80	97	54	70	88	43	59	76	36	46	64	30	33	50
	0.25	55	51	46	50	46	42	43	42	38	36	37	33	30	31	28
	2400	71	88	105	60	77	95	48	65	83	41	51	70	34	36	55
0.28	62	57	50	56	52	46	48	47	42	41	41	37	34	34	31	
W060	1600	63	78	94	54	69	85	43	59	75	35	47	64	29	34	51
	0.16	52	48	44	47	44	40	41	40	36	35	35	32	29	29	27
	2000	71	88	105	61	78	96	49	66	85	41	53	72	34	39	58
	0.19	60	55	50	55	51	46	48	46	42	41	41	37	34	34	32
	2400	78	96	114	67	85	104	55	73	93	46	58	79	39	43	64
0.21	68	62	54	62	57	51	54	52	46	46	46	41	39	39	36	

* Saturated suction leaving evaporator coil

CFM — Cubic Ft. per Minute

EWB — Entering Wet Bulb (°F)

LWB — Leaving Wet Bulb (°F)

TC — Total Cooling Capacity 1000 Btuh

BF — Bypass Factor

MBH — 1000 Btuh

SHC — Sensible Heat Capacities (1000 Btuh) shown in *Italic* type. SHC is based on 80°F db temperature of air entering the evaporator coil. Below 80°F db, subtract (corr factor x cfm) from SHC. Above 80°F db, add (correction factor x cfm) to SHC.

See notes on page 6.

NOTES:

1. Formulas:

$$\text{Leaving db} = \text{entering db} - \frac{\text{sensible heat cap.}}{1.09 \times \text{CFM}}$$

Leaving wb = wb corresponding to enthalpy of air leaving coil (h_{LWB})

$$h_{LWB} = h_{EWB} - \frac{\text{total capacity (Btuh)}}{4.5 \times \text{CFM}}$$

where h_{EWB} = enthalpy of air entering coil.

2. Direct interpolation is permissible. Do not extrapolate.
3. Fan motor heat has not been deducted.
4. All data points are based on 10°F superheat leaving coil, and use of thermal expansion valve device.
5. All units have sweat suction tube connection and a liquid tube connection. For 1-1/8-in. system suction tube, 3/4- x 1-1/8-in. suction tube connection adapter is available as accessory.
6. Check-Flo-Rater pistons (sized for matched cooling-only systems). Refer to outdoor unit installation instructions for pistons required for other systems.
7. The CD5A and CC5A coils can be used in any properly designed system using R-22 or Puron® refrigerant.
8. Before using maximum cfm shown in table, check coil static pressure drop to ensure system blower can provide necessary static pressure needed for coil and duct systems.

BYPASS FACTOR	ENTERING AIR DRY BULB TEMPERATURE (°F)					
	79	78	77	76	75	Under 75
	81	82	83	84	84	Above 85
	Correction Factor					
0.10	0.98	1.96	2.94	3.92	4.91	Use formula shown below
0.20	0.87	1.74	2.62	3.49	4.36	
0.30	0.76	1.53	2.29	3.05	3.82	

Interpolation is permissible.

$$\text{Correction Factor} = 1.09 \times (1 - \text{BF}) \times (\text{db} - 80)$$

INDOOR COIL PISTONS

UNIT	FACTORY-INSTALLED INDOOR PISTON SIZE
CD5AXA018 CC5AXA018	52
CD5AXA024, W024 CC5AXA024, W024	59
CD5AXA030, W030 CC5AXA030, W030	67
CD5AXA036, W036 CC5AXA036, W036	70
CD5AXA042, W042 CC5AXA042, W042	78
CD5AXA048, C048, W048 CC5AXC048, W048	84
CD5AXA060 CC5AXA060	90
CD5AXW060 CC5AXW060	90

ACCESSORY EMPTY COIL CASING FOR UNCASSED A-COIL

ACCESSORY PART NO.*	NOMINAL CC5A COIL SIZES	DIMENSIONS (In.) W x H x D
KCAKC1212ECC	A018, A024, A030	14-3/16 x 19 x 21
KCAKC1312ECC	W024, W030, A036	17-1/2 x 20-1/2 x 21
KCAKC1408ECC	W036, A042, C048	21 x 22 x 21
KCAKC1508ECC	W042, W048, A060	24-1/2 x 22 x 21
KCAKC1604ECC	W060	31-1/2 x 22 x 21

* Individual casings are sold and shipped in multi-packs as indicated in the 8th and 9th digits.

COIL STATIC PRESSURE DROP (IN. WC)

UNIT SIZE	BULB	AIR QUANTITY (CFM)						
				400	500	600	700	
A018	WET DRY			0.08	0.12	0.16	0.22	
				0.06	0.09	0.13	0.18	
A024	WET DRY			600	700	800	900	
				0.16	0.21	0.27	0.35	
W024	WET DRY			0.13	0.17	0.21	0.27	
				600	700	800	900	
W024	WET DRY			0.11	0.15	0.19	0.23	
				0.07	0.10	0.13	0.16	
A030	WET DRY			700	800	900	1000	
				0.16	0.21	0.26	0.32	
W030	WET DRY			0.14	0.18	0.22	0.28	
				700	800	900	1000	1100
W030	WET DRY			0.12	0.16	0.19	0.24	0.28
				0.09	0.12	0.15	0.18	0.22
A036	WET DRY			900	1000	1100	1200	1300
				0.16	0.20	0.24	0.28	0.33
W036	WET DRY			0.14	0.17	0.21	0.24	0.28
				900	1000	1100	1200	1300
W036	WET DRY			0.13	0.16	0.19	0.23	0.27
				0.11	0.13	0.16	0.18	0.21
A042	WET DRY			1100	1200	1300	1400	
				0.19	0.22	0.26	0.30	
W042	WET DRY			0.16	0.18	0.21	0.25	
				1100	1200	1300	1400	1500
W042	WET DRY			0.13	0.15	0.18	0.21	0.24
				0.12	0.13	0.15	0.16	0.18
A048	WET DRY			1400	1500	1600	1700	
				0.21	0.24	0.27	0.31	
W048	WET DRY			0.17	0.19	0.22	0.25	
				1400	1500	1600	1700	1800
W048	WET DRY			0.19	0.22	0.24	0.27	0.31
				0.15	0.17	0.20	0.22	0.25
C048	WET DRY			1300	1400	1500	1600	
				0.22	0.26	0.30	0.34	
C048	WET DRY			0.17	0.20	0.23	0.26	
				1600	1700	1800	1900	
A060	WET DRY			0.24	0.27	0.31	0.34	
				0.20	0.22	0.25	0.27	
W060	WET DRY			1600	1700	1800	1900	2000
				0.17	0.19	0.21	0.23	0.25
W060	WET DRY			0.11	0.13	0.14	0.16	0.17
				0.19	0.21	0.23	0.25	0.27
				0.13	0.14	0.16	0.17	0.18
								0.21
								0.21

SERVICE TRAINING

Packaged Service Training programs are an excellent way to increase your knowledge of the equipment discussed in this manual, including:

- Unit Familiarization
- Maintenance
- Installation Overview
- Operating Sequence

A large selection of product, theory, and skills programs is available, using popular video-based formats and materials. All include video and/or slides, plus companion book.

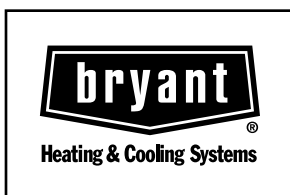
Classroom Service Training plus "hands-on" the products in our labs can mean increased confidence that really pays dividends in faster troubleshooting, fewer callbacks. Course descriptions and schedules are in our catalog.

CALL FOR FREE CATALOG 1-800-962-9212

Packaged Service Training

Classroom Service Training

A94328



SPECIFICATIONS SUBJECT TO CHANGE WITHOUT NOTICE

UNIT MUST BE INSTALLED IN ACCORDANCE
WITH INSTALLATION INSTRUCTIONS

Cancels: PDS CC5A.18.5