



HP HDX 16 Entertainment PC

Maintenance and Service Guide

Document Part Number: 487263-001

November 2008

This guide is a troubleshooting reference used for maintaining and servicing the computer. It provides comprehensive information on identifying computer features, components, and spare parts; troubleshooting computer problems; and performing computer disassembly procedures.

© Copyright 2008 Hewlett-Packard Development Company, L.P.

Bluetooth is a trademark owned by its proprietor and used by Hewlett-Packard Company under license. Intel and Core are trademarks or registered trademarks of Intel Corporation or its subsidiaries in the United States and other countries. Microsoft, Windows, and Windows Vista are U.S. registered trademarks of Microsoft Corporation. SD Logo is a trademark of its proprietor.

The information contained herein is subject to change without notice. The only warranties for HP products and services are set forth in the express warranty statements accompanying such products and services. Nothing herein should be construed as constituting an additional warranty. HP shall not be liable for technical or editorial errors or omissions contained herein.

First Edition: November 2008

Document Part Number: 487263-001

Safety warning notice



WARNING: To reduce the possibility of heat-related injuries or of overheating the computer, do not place the computer directly on your lap or obstruct the computer air vents. Use the computer only on a hard, flat surface. Do not allow another hard surface, such as an adjoining optional printer, or a soft surface, such as pillows or rugs or clothing, to block airflow. Also, do not allow the AC adapter to contact the skin or a soft surface, such as pillows or rugs or clothing, during operation. The computer and the AC adapter comply with the user-accessible surface temperature limits defined by the International Standard for Safety of Information Technology Equipment (IEC 60950).

Contents

1 Product description

2 External component identification

Top components	2-1
Display components	2-1
Buttons, speakers, and fingerprint reader	2-2
Keys	2-4
Lights	2-5
Pointing devices	2-6
Front components	2-7
Right-side components	2-7
Left-side components	2-8
Rear component	2-8
Bottom components	2-9

3 Illustrated parts catalog

Service tag	3-1
Computer major components	3-2
Plastics Kit	3-7
Display assembly components	3-8
Mass storage devices	3-10
Miscellaneous parts	3-11
Sequential part number listing	3-12

4 Removal and replacement procedures

Preliminary replacement requirements	4-1
Tools required	4-1
Service considerations	4-1
Grounding guidelines	4-2
Unknown user password	4-5
Component replacement procedures	4-6
Service tag	4-6
Computer feet	4-7
Battery	4-8
Optical drive	4-9
Hard drive	4-11
TV tuner module	4-13
RTC battery	4-14
Memory module	4-15
WLAN module	4-16

Switch cover	4-18
Keyboard cover	4-20
Power button board	4-22
Bluetooth module	4-23
Keyboard	4-24
Power button board cable	4-27
Bluetooth module cable	4-28
LED board cable	4-29
Speaker assembly	4-30
Display assembly	4-31
Top cover	4-39
TouchPad on/off button board	4-43
System board	4-45
Fan	4-48
Audio/infrared board	4-50
TV tuner module cable	4-52
USB board	4-53
Power connector cable	4-54
Subwoofer	4-56
Fan/heat sink assembly	4-58
Processor	4-61

5 Setup Utility

Starting the Setup Utility	5-1
Changing the language of the Setup Utility	5-1
Navigating and selecting in the Setup Utility	5-1
Displaying system information	5-2
Restoring default settings in the Setup Utility	5-2
Using advanced Setup Utility features	5-2
Closing the Setup Utility	5-2
Setup Utility menus	5-3
Main menu	5-3
Security menu	5-3
System Configuration menu	5-3
Diagnostics menu	5-4

6 Specifications

Computer specifications	6-1
16.0-inch FHD display specifications	6-2
16.0-inch HD display specifications	6-2
Hard drive specifications	6-3
Blu-ray ROM DVD±RW SuperMulti DL Drive specifications	6-5
DVD±RW and CD-RW SuperMulti Double-Layer Combo Drive specifications	6-6
System DMA specifications	6-7
System memory map specifications	6-7
System interrupt specifications	6-8
System I/O address specifications	6-9

7 Screw listing

Phillips PM2.5×7.0 screw	7-1
Phillips PM2.0×4.0 screw	7-4
Phillips PM2.5×6.0 captive screw	7-10
Phillips PM3.0×4.0 screw	7-11
Phillips PM2.5×5.0 broadhead screw	7-12
Phillips PM2.5×11.0 captive screw	7-13
Phillips PM2.5×5.0 captive screw	7-14

8 Backup and recovery

Recovering system information	8-1
Creating recovery discs	8-1
Backing up your information	8-2
When to back up	8-2
Backup suggestions	8-2
Using system restore points	8-3
Performing a recovery	8-4

9 Connector pin assignments

1394	9-1
Audio-in (microphone)	9-1
Audio-out (headphone)	9-2
External monitor	9-2
HDMI	9-3
RJ-45 (network)	9-4
Universal Serial Bus	9-4

10 Power cord set requirements

Requirements for all countries and regions	10-1
Requirements for specific countries and regions	10-2

11 Recycling

Battery	11-1
Display	11-1

Index

Product description

Category	Description
Product name	HP HDX 16 Entertainment PC
Processors	<p>Intel® Core™2 Duo processors:</p> <ul style="list-style-type: none"> ■ T9600 2.80-GHz processor, 6-MB L2 cache, 1066-MHz front side bus (FSB) ■ T9500 2.53-GHz processor, 6-MB L2 cache, 1066-MHz FSB ■ T8600 2.40-GHz processor, 3-MB L2 cache, 1066-MHz FSB ■ T8400 2.26-GHz processor, 3-MB L2 cache, 1066-MHz FSB ■ T7550 2.13-GHz processor, 3-MB L2 cache, 1066-MHz FSB ■ T7350 2.00-GHz processor, 3-MB L2 cache, 1066-MHz FSB
Chipset	<p>Northbridge: Intel PM45 Southbridge: Intel ICH9M</p>
Graphics	nVidia GeForce 9650M GT with 1024 MB or 512 MB of dedicated video memory
Panel	<p>16.0-inch dual-channel low-voltage differential signaling (LVDS), full high-definition (FHD, 1920×1080p) and high-definition (HD, 1366×768), AntiGlare display assemblies equipped with dual-lamp and single-lamp variations</p> <p>16:9 ultra wide aspect ratio</p> <p>Typical brightness: 250 nits</p> <p>Supports flush glass AntiGlare panel cover support</p> <p>Lighted logo on display enclosure</p> <p>All display assemblies include 2 wireless local area network (WLAN) antennae</p>
Memory	<p>2 customer-accessible/upgradable memory module slots</p> <p>Supports dual-channel memory</p> <p>Supports up to 8 GB of system RAM</p> <p>PC2-6400, 800-MHz, DDR2</p> <hr/> <p>Supports the following configurations:</p> <ul style="list-style-type: none"> ■ 8192-MB total system memory (4096 × 2, dual-channel) ■ 4096-MB total system memory (2048 × 2, dual-channel) ■ 3072-MB total system memory (2048 + 1024) ■ 2048-MB total system memory (1024 × 2, dual-channel) ■ 2048-MB total system memory (2048 × 1) ■ 1024-MB total system memory (1024 × 1)

(Continued)

Category	Description
Hard drives	<p>Supports 9.50-mm, 6.35-cm (2.50-inch) hard drives</p> <p>Supports second hard drive</p> <p>Supports HP 3D DriveGuard protection</p> <p>Customer-accessible</p> <p>Serial ATA</p> <hr/> <p>Supports the following hard drives:</p> <ul style="list-style-type: none"> ■ 500-GB, 5400-rpm ■ 400-GB, 5400-rpm ■ 320-GB, 7200-rpm ■ 320-GB, 5400-rpm ■ 250-GB, 5400-rpm ■ 160-GB, 7200-rpm ■ 160-GB, 5400-rpm <hr/> <p>Supports the following dual hard drive configurations:</p> <ul style="list-style-type: none"> ■ 1000-GB, 5400-rpm (500-GB × 2) ■ 800-GB, 5400-rpm (400-GB × 2) ■ 640-GB, 7200-rpm (320-GB × 2) ■ 640-GB, 5400-rpm (320-GB × 2) ■ 500-GB, 5400-rpm (250-GB × 2) ■ 320-GB, 7200-rpm (160-GB × 2) ■ 320-GB, 5400-rpm (160-GB × 2) ■ 160-GB, 5400-rpm (80-GB × 2)
Optical drives	<p>12.7-mm tray load</p> <p>Serial ATA (SATA)</p> <p>Fixed (removal of 1 screw required)</p> <p>Customer-accessible</p> <p>Parallel ATA</p> <p>Supports no-optical-drive option</p> <hr/> <p>Supports the following drives:</p> <ul style="list-style-type: none"> ■ Blu-ray ROM DVD±RW SuperMulti DL Drive with LightScribe ■ Blu-ray ROM DVD±RW SuperMulti DL Drive ■ Blu-ray ROM DVD±RW Drive ■ DVD±RW and CD-RW SuperMulti Double-Layer Combo Drive with LightScribe
Microphone	<p>2 omni-directional, dual-array digital microphones with beam-forming, echo-cancellation, noise-suppression software</p>

(Continued)

Category	Description
Audio	High-definition audio Integrated subwoofer Supports Microsoft® premium requirements 2 Altec Lansing Pavilion-branded speakers
Webcam	Low-light VGA camera Fixed (no tilt) Activity LED 640 × 480 by 30 24 frames per second
Modem	56K V.92 1.5-inch data/fax modem with digital line guard Modem cable is not included
Ethernet	Intel Realtek 8111C 10/100/1000 network interface card (NIC) Intel Realtek 8102E 10/100 NIC Ethernet cable included
Wireless	Integrated WLAN options by way of wireless module: 2 wireless antennae built into display assembly Supports no-WLAN option Support for the following WLAN formats: <ul style="list-style-type: none"> ■ Intel WiFi Link 5100 802.11a/b/g/n ■ Intel WiFi Link 5100 802.11a/b/g/n with Bluetooth® ■ Intel WiFi Link 5100 802.11a/b/g ■ Intel WiFi Link 5100 802.11a/b/g with Bluetooth ■ Atheros 802.11a/b/g/n ■ Atheros 802.11a/b/g/n with Bluetooth
TV tuner	DVB-T TV tuner module DVB-T/ANG TV tuner module NTSC/ATSC/ANG TV tuner module TV tuner external antenna cable with both F-PAL and PAL jacks
External media cards	One ExpressCard slot, supporting optional ExpressCard/54 cards Digital Media Slot supporting Memory Stick (MS), Memory Stick Pro (MSP), MultiMediaCard (MMC), Secure Digital (SD) Memory Card, and xD-Picture Card (XD)

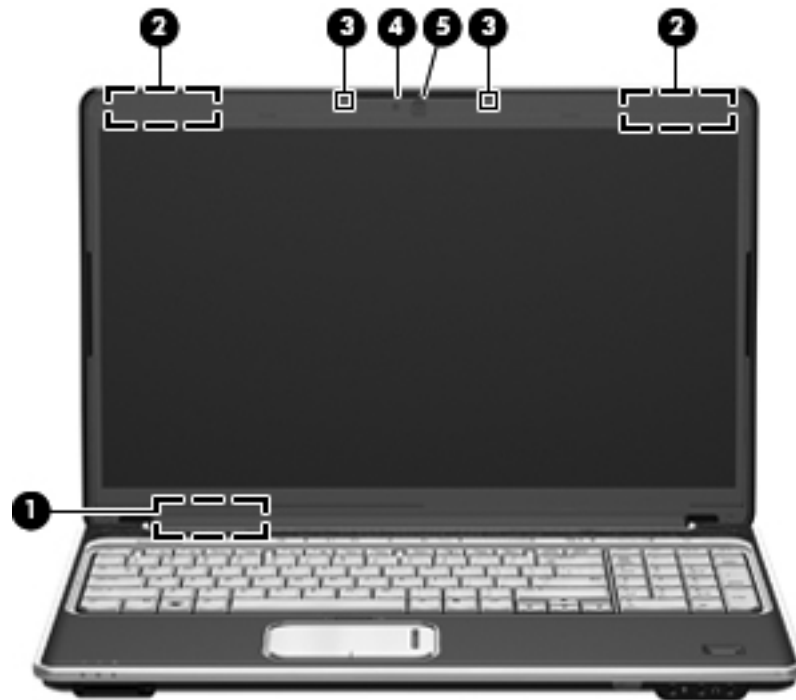
(Continued)



Category	Description
Ports	1394 Audio-in (mono microphone) Audio-out (stereo headphones, 2) Consumer infrared eSATA HDMI Multi-pin AC power RJ-45 (Ethernet, includes link and activity lights) TV tuner USB (3) VGA (Dsub 15-pin) supporting 1600 × 1200 external resolution at 75 GHz (hot plug/unplug with auto-detect)
Docking	Supports expansion port 3 docking connector
Keyboard/pointing devices	Spill-resistant keyboard TouchPad with 2 TouchPad buttons Supports 2-way scroll Taps enabled as default
Power requirements	90-W and 65-W AC adapters with localized and pointing stick cable plug support (3-wire plug with ground pin, supports 3-pin DC connector) 8-cell, 2.55-Ah (73-Wh) Li-ion battery
Security	Security cable slot Fingerprint reader with Digital Persona software support
Operating system	Preinstalled: Windows Vista® Ultimate (64 bit) Windows Vista Premium (32 and 64 bit) Windows Vista Home Basic (32 bit) FreeDOS RedFlag
Serviceability	End-user replaceable parts: AC adapter Battery (system) Hard drive Memory module Optical drive WLAN module

External component identification

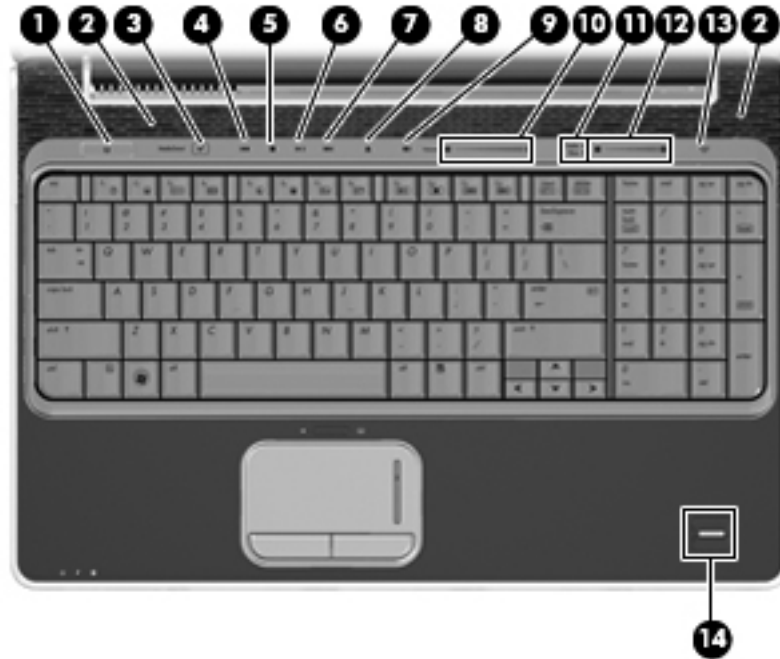
Top components


Display components




Item	Component	Function
❶	Internal display switch	Turns off the display if the display is closed while the computer is on.
❷	Wireless antennae (2)	Send and receive wireless signals to communicate with WLANs.  The antennae are not visible from the outside of the computer. For optimal transmission, keep the areas immediately around the antennae free from obstructions.
❸	Internal digital dual-array microphones (2)	Record sound.
❹	Integrated webcam light	On: The webcam is in use.
❺	Integrated webcam	Records audio and video and captures still photographs.
	To see wireless regulatory notices, refer to the section of the <i>Regulatory, Safety and Environmental Notices</i> that applies to your country or region. These notices are located in Help and Support.	

Buttons, speakers, and fingerprint reader



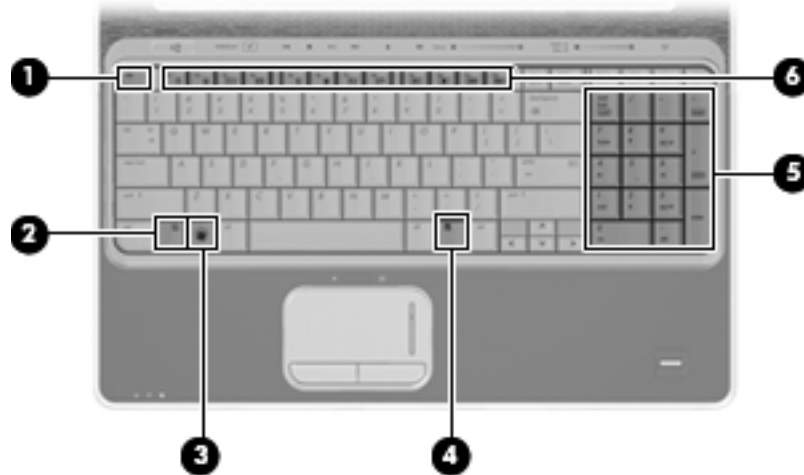
Item	Component	Function
❶	Power button*	<ul style="list-style-type: none"> ■ When the computer is off, press the button to turn on the computer. ■ When the computer is on, briefly press the button to initiate Sleep. ■ When the computer is in the Sleep state, briefly press the button to exit Sleep. ■ When the computer is in Hibernation, briefly press the button to exit Hibernation. <p>If the computer has stopped responding and Windows® shutdown procedures are ineffective, press and hold the power button for at least 5 seconds to turn off the computer.</p> <p>To learn more about your power settings, select Start > Control Panel > System and Maintenance > Power Options.</p>
❷	Speakers (2)	Produce sound.
❸	Media button	<p>Launches the MediaSmart program from any power state.</p> <p> If the computer has been set up to require a logon password, you may be asked to log on to Windows. MediaSmart starts after you log on. For more information on using MediaSmart, select Start > Help and Support.</p>
❹	Previous/rewind button	<ul style="list-style-type: none"> ■ Plays the previous track or chapter when the button is pressed once. ■ Rewinds media when the button is pressed in combination with the fn key.
❺	Stop button	Stops playback.
❻	Play/pause button	Plays or pauses media.
❼	Next/fast forward button	<ul style="list-style-type: none"> ■ Plays the next track or chapter when the button is pressed once. ■ Fast forwards media when pressed in combination with the fn key.
❽	Optical drive button	Releases the media tray.
❾	Volume mute button	Mutes and restores speaker sound.

(Continued)

Item	Component	Function
10	Volume scroll zone	Adjusts speaker volume. Slide your finger to the left to decrease volume and to the right to increase volume. You can also press and hold the minus (-) sign to decrease volume, or press and hold the plus (+) sign to increase volume.
11	Treble/bass button	Alternates between treble and bass volume controls.
12	Treble or bass volume scroll zone	Adjusts treble or bass volume. Select the treble or bass volume by pressing the treble/bass button, and then slide your finger to the left to decrease volume and to the right to increase volume using the treble or bass volume scroll zone. You can also press and hold the minus (-) sign to decrease volume, or press and hold the plus (+) sign to increase volume.
13	Wireless button	Turns the wireless feature on or off but does not establish a wireless connection.  You must set up or access a wireless network in order to establish a wireless connection.
14	Fingerprint reader	Allows a fingerprint logon to Windows, instead of a password logon.

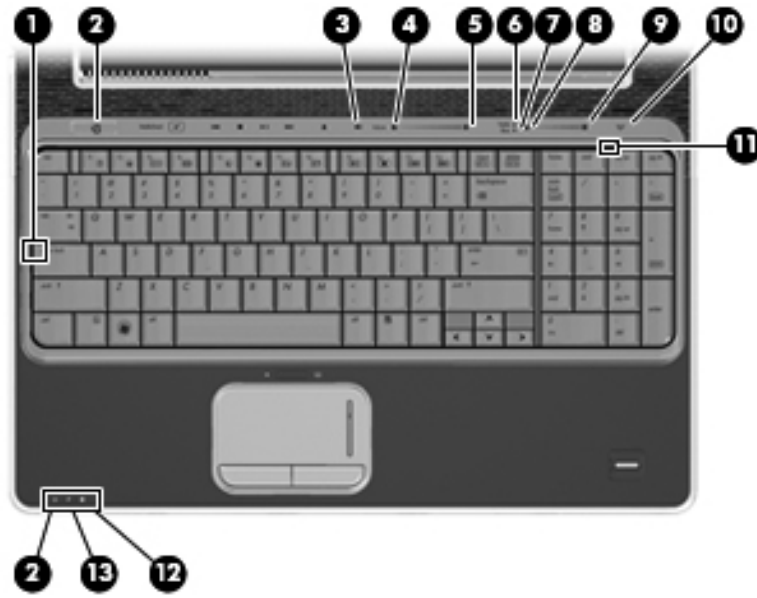
*This table describes factory settings. For information about changing factory settings, refer to the user guides located in Help and Support.

Keys



Item	Component	Function
❶	esc key	Displays system information when pressed in combination with the fn key.
❷	fn key	Executes frequently used system functions when pressed in combination with a function key or the esc key.
❸	Windows logo key	Displays the Windows Start menu.
❹	Windows applications key	Displays a shortcut menu for items beneath the pointer.
❺	Integrated numeric keypad keys	Can be used like the keys on an external numeric keypad.
❻	Function keys	Execute frequently used system functions when pressed in combination with the fn key.

Lights



Item	Component	Function
①	Caps lock light	On: Caps lock is on.
②	Power lights (2)*	<ul style="list-style-type: none"> ■ On: The computer is on. ■ Blinking: The computer is in the Sleep state. ■ Off: The computer is off or in Hibernation.
③	Volume mute light	<ul style="list-style-type: none"> ■ White: Computer sound is on. ■ Amber: Computer sound is off.
④	Volume down light	On: The volume scroll zone is being used to decrease speaker volume.
⑤	Volume up light	On: The volume scroll zone is being used to increase speaker volume.
⑥	Treble light	On: The treble volume function is on.
⑦	Bass light	On: The bass volume function is on.
⑧	Treble/bass down light	On: The treble or bass scroll zone is being used to decrease the level of treble or bass in the audio.
⑨	Treble/bass up light	On: The treble or bass scroll zone is being used to increase the level of treble or bass in the audio.
⑩	Wireless light	<ul style="list-style-type: none"> ■ Blue: An integrated wireless device, such as a wireless local area network (WLAN) device and/or a Bluetooth device, is on. ■ Amber: All wireless devices are off.
⑪	Num lock light	On: Num lock is on or the embedded numeric keypad is enabled.
⑫	Drive light	<ul style="list-style-type: none"> ■ Blinking: The hard drive or optical drive is being accessed. ■ Amber: HP ProtectSmart Hard Drive Protection has temporarily parked the internal hard drive.
⑬	Battery light	<ul style="list-style-type: none"> ■ On: A battery is charging. ■ Blinking: A battery that is the only available power source has reached a low battery level or a critical battery level. ■ Off: If the computer is plugged into an external power source, the light is turned off when all batteries in the computer are fully charged. If the computer is not plugged into an external power source, the light stays off until the battery reaches a low battery level.

*The 2 power lights display the same information. The light on the power button is visible only when the computer is open. The power light on the front of the computer is visible whether the computer is open or closed.

Pointing devices



Item	Component	Function
①	TouchPad light	■ White: TouchPad is enabled. ■ Amber: TouchPad is disabled.
②	TouchPad*	Moves the pointer and selects or activates items on the screen.
③	Left TouchPad button*	Functions like the left button on an external mouse.
④	TouchPad on/off button	Enables/disables the TouchPad.
⑤	TouchPad scroll zone	Scrolls up or down.
⑥	Right TouchPad button*	Functions like the right button on an external mouse.

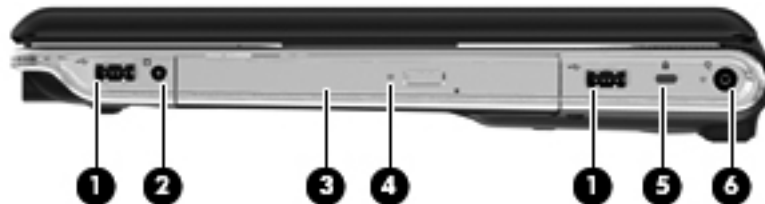
*This table describes factory settings. To view or change pointing device references, select **Start > Control Panel > Hardware and Sound > Mouse**.


Front components



Item	Component	Function
❶	Digital Media Slot	Supports the following optional digital card formats: <ul style="list-style-type: none"> ■ Memory Stick (MS) ■ Memory Stick Pro (MSP) ■ MultiMediaCard (MMC) ■ Secure Digital (SD) Memory Card ■ xD-Picture Card (XD)
❷	Digital Media Slot light	On: A digital card is being accessed.
❸	Consumer infrared lens	Receives a signal from the HP Remote Control (select models only).
❹	Audio-in (microphone) jack	Connects an optional computer headset microphone, stereo array microphone, or monaural microphone.
❺	Audio-out (headphone) jacks (2)	Produce sound when connected to optional powered stereo speakers, headphones, ear buds, a headset, or television.


Right-side components



Item	Component	Function
❶	USB ports (2)	Connect optional USB devices.
❷	TV antenna/cable jack (select models only)	Connects an optional TV antenna or an optional digital cable device that receives standard or high-definition TV broadcasts.
❸	Optical drive	Reads optical discs and, on select models, also writes to optical discs.
❹	Optical drive light	Blinking: The optical drive is being accessed.
❺	Security cable slot	Attaches an optional security cable to the computer. <p> The security cable is designed to act as a deterrent, but it may not prevent the computer from being mishandled or stolen.</p>
❻	Power connector	Connects an AC adapter.


Left-side components



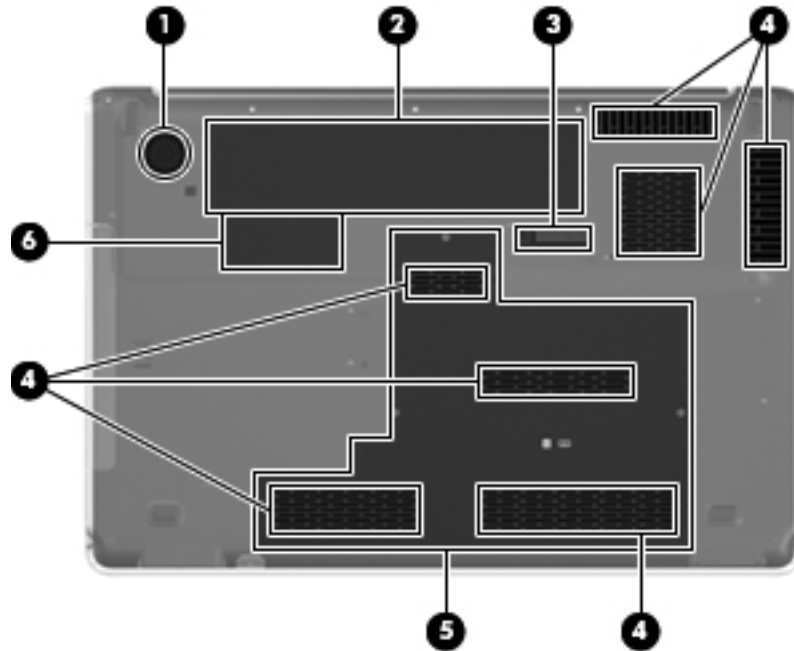
Item	Component	Function
❶	External monitor port	Connects an external VGA monitor or projector.
❷	Expansion port 3	Connects the computer to an optional docking device or optional expansion product.  The computer has only one expansion port. The term expansion port 3 describes the type of expansion port.
❸	RJ-45 (network) jack	Connects a network cable.
❹	HDMI port	Connects an optional video or audio device, such as a high-definition television, or any compatible digital or audio component.
❺	eSATA/USB port	Connects an optional high-performance eSATA component, such as an eSATA external hard drive, or connects an optional USB device.
❻	USB port	Connects an optional USB device.
❼	1394 port	Connects an optional IEEE 1394 or 1394a device, such as a camcorder.
❽	ExpressCard slot	Supports optional ExpressCard/54 cards.



Rear component



Component	Function
Vent	Enables airflow to cool internal components.  The computer fan starts up automatically to cool internal components and prevent overheating. It is normal for the internal fan to cycle on and off during routine operation.

Bottom components

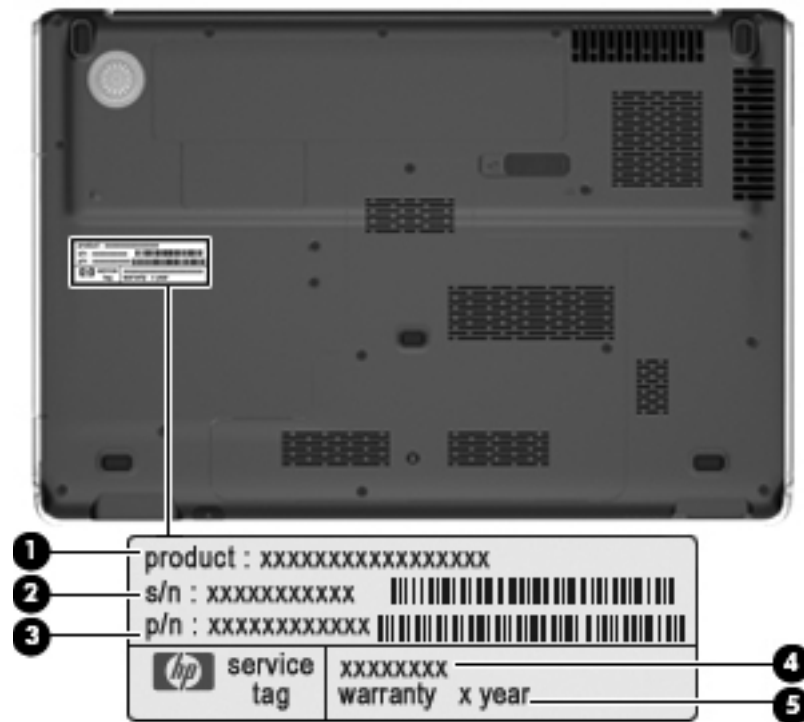


Item	Component	Function
❶	Subwoofer	Contains the subwoofer speaker.
❷	Battery bay	Holds the battery.
❸	Battery release latch	Releases the battery from the battery bay.
❹	Vents (7)	Enable airflow to cool internal components. <p> The computer fan starts up automatically to cool internal components and prevent overheating. It is normal for the internal fan to cycle on and off during routine operation.</p>
❺	Hard drive bay	Holds the hard drive, the TV tuner card(select models only), and the 2 memory module slots.
❻	WLAN module compartment	Holds the WLAN module. <p> To prevent an unresponsive system, replace the wireless module only with a wireless module authorized for use in the computer by the governmental agency that regulates wireless devices in your country or region. If you replace the module and then receive a warning message, remove the module to restore computer functionality, and then contact technical support through Help and Support.</p>

Illustrated parts catalog

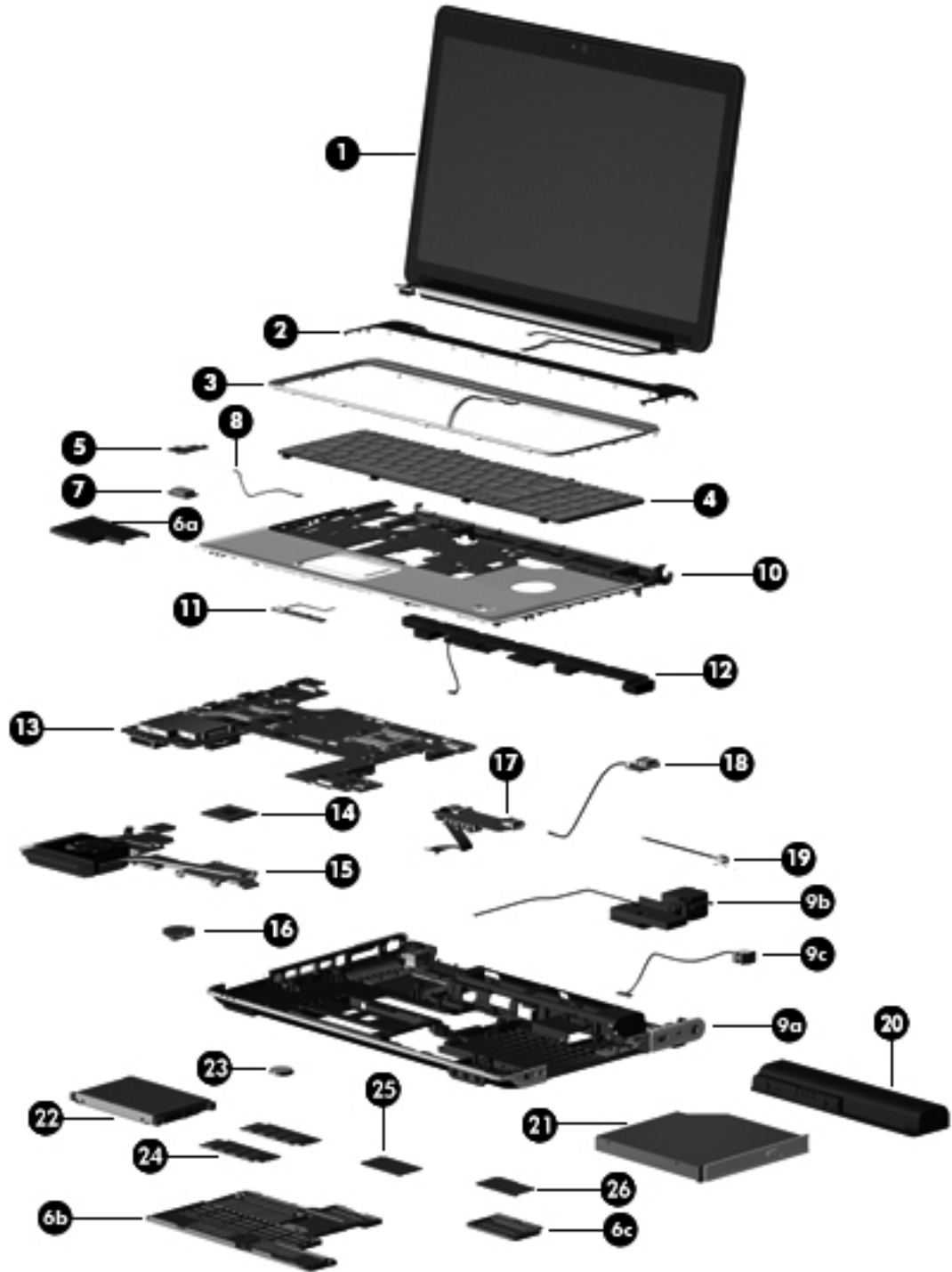
Service tag




When ordering parts or requesting information, provide the computer serial number and model description provided on the service tag.



Item	Component	Description
①	Product name	This is the product name affixed to the front of the computer.
②	Serial number (s/n)	This is an alphanumeric identifier that is unique to each product.
③	Part number/Product number (p/n)	This number provides specific information about the product's hardware components. The part number helps a service technician to determine what components and parts are needed.
④	Model description	This is the number used to locate documents, drivers, and support for the computer.
⑤	Warranty period	This number describes the duration of the warranty period for the computer.

Computer major components




Item	Description	Spare Part Number
(1)	Display assembly (includes 2 WLAN antenna transceivers and cables, webcam, microphones, and logo)	
	16.0-inch, WXGA, AntiGlare, FHD, dual lamp with webcam and microphone	497936-001
	16.0-inch, WXGA, AntiGlare, HD, dual lamp with webcam and microphone	496468-001
	16.0-inch, WXGA, AntiGlare, HD, single lamp with webcam and microphone	497937-001
	 See “Display assembly components” on page 3-8 for information on display assembly spare part numbers.	
(2)	Switch cover	496471-001
(3)	Keyboard cover (includes LED board and cable)	496472-001
(4)	Keyboard (includes cable)	
	For use in Denmark, Finland, and Norway	508199-DH1
	For use in France	496672-051
	For use in French Canada	508199-121
	For use in Germany	496672-041
	For use in Greece	496672-DJ1
	For use in Italy	496672-061
	For use in Japan	508199-291
	For use in Latin America	496672-161
	For use in the Netherlands	496672-B31
	For use in Russia	496672-251
	For use in Saudi Arabia	508199-171
	For use in South Korea	508199-AD1
	For use in Spain	496672-071
	For use in Switzerland	496672-BG1
	For use in Taiwan	496672-AB1
	For use in Thailand	508199-281
	For use in Turkey	496672-141
	For use in the United Kingdom	496672-031
	For use in the United States	496672-001
(5)	Power button board (includes cable)	496482-001
	Plastics Kit , includes:	496477-001
(6a)	ExpressCard slot bezel	
(6b)	Hard drive cover	
(6c)	WLAN module compartment cover	
	 See “Plastics Kit” on page 3-7 for more Plastics Kit spare part information.	
(7)	Bluetooth module	483113-001
	 The Bluetooth module spare part kit does not include a Bluetooth module cable. The Bluetooth module cable is available using spare part number 496461-001.	
(8)	Bluetooth module cable	496461-001

(Continued)

Item	Description	Spare Part Number
(9a)	Base enclosure , includes:	496469-001
(9b)	Subwoofer	
(9c)	Power connector cable	
	Power connector cable bracket (not illustrated)	
	Fan (see also item 16)	
	5 rubber feet (not illustrated)	
	Rubber Feet Kit (not illustrated, includes 5 rubber feet)	496478-001
(10)	Top cover (includes fingerprint reader board, fingerprint reader board cable, TouchPad, and TouchPad cables)	496470-001
(11)	TouchPad on/off button board (includes cable)	496473-001
(12)	Speaker assembly	496476-001
(13)	System board (includes 512 MB of graphics subsystem memory and replacement thermal material)	496460-001
(14)	Processor (includes replacement thermal material):	
	Intel Core2 Duo T9800 2.93-GHz processor with 6-MB L2 cache and 1066-MHz FSB	507951-001
	Intel Core2 Duo T9600 2.80-GHz processor with 6-MB L2 cache and 1066-MHz FSB	500604-001
	Intel Core2 Duo T9550 2.66-GHz processor with 6-MB L2 cache and 1066-MHz FSB	507953-001
	Intel Core2 Duo T9500 2.53-GHz processor with 6-MB L2 cache and 1066-MHz FSB	500603-001
	Intel Core2 Duo T8700 2.53-GHz processor with 3-MB L2 cache and 1066-MHz FSB	507960-001
	Intel Core2 Duo T8600 2.40-GHz processor with 3-MB L2 cache and 1066-MHz FSB	500601-001
	Intel Core2 Duo T8400 2.26-GHz processor with 3-MB L2 cache and 1066-MHz FSB	500600-001
	Intel Core2 Duo T6600 2.20-GHz processor with 3-MB L2 cache and 1066-MHz FSB	513593-001
	Intel Core2 Duo T7550 2.13-GHz processor with 3-MB L2 cache and 1066-MHz FSB	500605-001
	Intel Core2 Duo T6400 2.06-GHz processor with 3-MB L2 cache and 1066-MHz FSB	513592-001
	Intel Core2 Duo T7350 2.00-GHz processor with 3-MB L2 cache and 1066-MHz FSB	503391-001
(15)	Fan/heat sink assembly (includes replacement thermal material)	496488-001
(16)	Fan	514290-001
(17)	Audio/infrared board (includes cable)	496483-001
(18)	USB board (includes cable)	496489-001
	Cable Kit , includes:	496481-001
(19)	TV tuner module cable	
(20)	Battery	
	12-cell, 8.80-Ah Li-ion battery	497695-001
	6-cell, 2.55-Ah Li-ion battery	497694-001

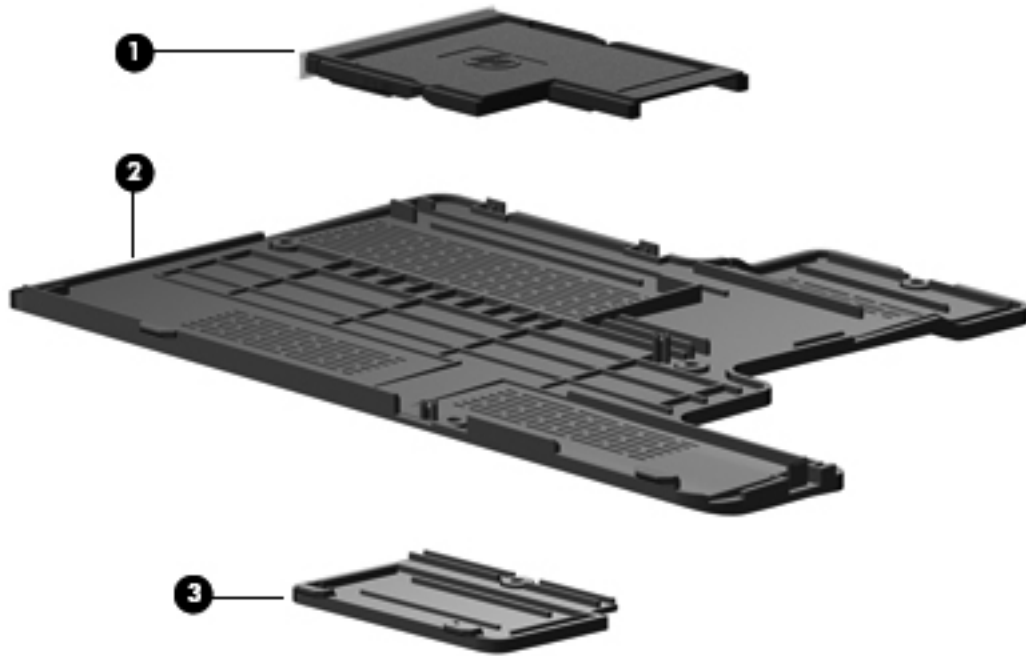
(Continued)

Item	Description	Spare Part Number
(21)	Optical drive (includes bezel and optical drive bracket)	
	Blu-ray ROM DVD±RW SuperMulti DL Drive with LightScribe	498074-001
	Blu-ray ROM DVD±RW SuperMulti DL Drive	498075-001
	Blu-ray ROM DVD±RW Drive	498073-001
	DVD±RW and CD-RW SuperMulti Double-Layer Combo Drive with LightScribe	503392-001
(22)	Hard drive (includes left and right hard drive brackets, Mylar sleeve, connector, and isolators)	
	500-GB, 5400-rpm	498071-001
	400-GB, 5400-rpm	498072-001
	320-GB, 7200-rpm	505857-001
	320-GB, 5400-rpm	498069-001
	250-GB, 5400-rpm	505856-001
	160-GB, 7200-rpm	498068-001
	160-GB, 5400-rpm	498070-001
(23)	RTC battery	449729-001
(24)	Memory modules (667-MHz, PC2-6400, 1-DIMM)	
	4096-MB	506591-001
	2048-MB	497693-001
	1024-MB	497692-001
(25)	TV tuner module	
	 The TV tuner module spare part kit does not include a TV tuner module cable. The TV tuner module cable is included in the Cable Kit, spare part number 496481-001.	
	DVB-T TV tuner module	482899-003
	DVB-T/ANG TV tuner module	482899-002
	NTSC/ATSC/ANG TV tuner module	482899-001
	TV tuner external antenna cable (not illustrated)	
	With F-PAL jack	482900-002
	With PAL jack	482900-001

(Continued)

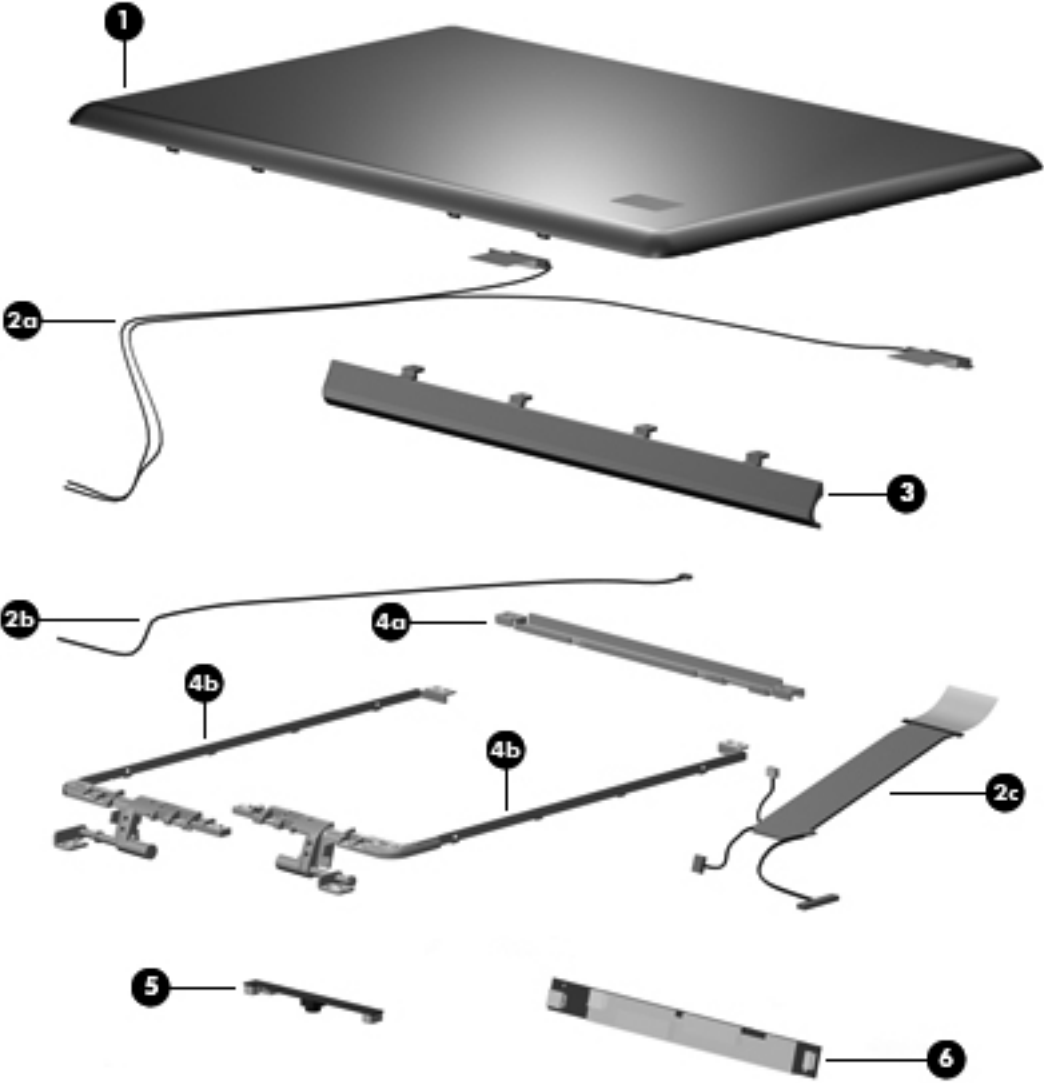
Item	Description	Spare Part Number
(26)	WLAN module:	
	<ul style="list-style-type: none"> ■ Atheros AR9280 802.11a/b/g/n WLAN module for use in Antigua and Barbuda, Barbados, Belize, Canada, the Cayman Islands, Guam, Puerto Rico, Trinidad and Tobago, the U.S. Virgin Islands, and the United States 	482260-001
	<ul style="list-style-type: none"> ■ Atheros AR9280 802.11a/b/g/n WLAN module for use in Afghanistan, Albania, Algeria, Andorra, Angola, Antigua and Barbuda, Argentina, Armenia, Aruba, Australia, Austria, Azerbaijan, the Bahamas, Bahrain, Bangladesh, Barbados, Belarus, Belgium, Belize, Benin, Bermuda, Bhutan, Bolivia, Bosnia and Herzegovina, Botswana, Brazil, the British Virgin Islands, Brunei, Bulgaria, Burkina Faso, Burundi, Cameroon, Cape Verde, the Central African Republic, Chad, Chile, the People's Republic of China, Colombia, Comoros, the Congo, Costa Rica, Croatia, Cyprus, the Czech Republic, Denmark, Djibouti, Dominica, the Dominican Republic, East Timor, Ecuador, Egypt, El Salvador, Equatorial Guinea, Eritrea, Estonia, Ethiopia, Fiji, Finland, France, French Guiana, Gabon, Gambia, Georgia, Germany, Ghana, Gibraltar, Greece, Grenada, Guadeloupe, Guatemala, Guinea, Guinea-Bissau, Guyana, Haiti, Honduras, Hong Kong, Hungary, Iceland, India, Ireland, Israel, Italy, the Ivory Coast, Jamaica, Jordan, Kazakhstan, Kenya, Kiribati, Kyrgyzstan, Laos, Latvia, Lebanon, Lesotho, Liberia, Liechtenstein, Lithuania, Luxembourg, Macedonia, Madagascar, Malawi, Malaysia, the Maldives, Mali, Malta, the Marshall Islands, Martinique, Mauritania, Mauritius, Mexico, Micronesia, Monaco, Mongolia, Montenegro, Morocco, Mozambique, Namibia, Nauru, Nepal, the Nether Antilles, the Netherlands, New Zealand, Nicaragua, Niger, Nigeria, Norway, Oman, Pakistan, Palau, Panama, Papua New Guinea, Paraguay, Peru, the Philippines, Poland, Portugal, the Republic of Moldova, Romania, Russia, Rwanda, Samoa, San Marino, Sao Tome and Principe, Saudi Arabia, Senegal, Serbia, the Seychelles, Sierra Leone, Singapore, Slovakia, Slovenia, the Solomon Islands, Somalia, South Africa, South Korea, Spain, Sri Lanka, St. Kitts and Nevis, St. Lucia, St. Vincent and the Grenadines, Suriname, Swaziland, Sweden, Switzerland, Taiwan, Tajikistan, Tanzania, Togo, Tonga, Trinidad and Tobago, Tunisia, Turkey, Turkmenistan, Tuvalu, Uganda, Ukraine, the United Arab Emirates, the United Kingdom, Uruguay, Uzbekistan, Vanuatu, Venezuela, Vietnam, Yemen, Zaire, Zambia, and Zimbabwe 	482260-002
	<ul style="list-style-type: none"> ■ Intel Wi-Fi Link 5100 802.11a/b/g/n WLAN module for use in all countries and regions except Pakistan, Russia, and the Ukraine 	480985-001
	<ul style="list-style-type: none"> ■ Intel Wi-Fi Link 5100 802.11a/b/g WLAN module for use only in Pakistan, Russia, and the Ukraine 	482957-001

Plastics Kit



Item	Description	Spare part number
	Plastics Kit	496477-001
❶	ExpressCard slot bezel	
❷	Hard drive cover (includes four captive screws, secured by C-clips)	
❸	WLAN module compartment cover (includes one captive screw, secured by a C-clip)	

Display assembly components



Item	Description	Spare part number
(1)	Display enclosure	496462-001
	Display Cable Kit , includes:	
(2a)	Wireless antenna transceivers and cables	
(2b)	Webcam/microphone module cable	
(2c)	Display panel cable	
	For use only with dual-lamp display assemblies	496465-001
	For use only with single-lamp display assemblies	514289-001
(3)	Display hinge cover	496464-001
	Display Hinge Kit , includes:	496463-001
(4a)	Display hinge bracket	
(4b)	Display left and right hinges	
(5)	Webcam/microphone module	496674-001
(6)	Display inverter	
	For use only with dual-lamp display assemblies	496467-001
	For use only with single-lamp display assemblies	488317-001

Mass storage devices




Item	Description	Spare part number
1	Hard drives (include left and right hard drive brackets, Mylar sleeve, connector, and isolators):	
	500-GB, 5400-rpm	498071-001
	400-GB, 5400-rpm	498072-001
	320-GB, 7200-rpm	505857-001
	320-GB, 5400-rpm	498069-001
	250-GB, 5400-rpm	505856-001
	160-GB, 7200-rpm	498068-001
	160-GB, 5400-rpm	498070-001
2	Optical drives (include bezel and optical drive bracket):	
	Blu-ray ROM DVD±RW SuperMulti DL Drive with LightScribe	498074-001
	Blu-ray ROM DVD±RW SuperMulti DL Drive	498075-001
	Blu-ray ROM DVD±RW Drive	498073-001
	DVD±RW and CD-RW SuperMulti Double-Layer Combo Drive with LightScribe	503392-001




Miscellaneous parts

Description	Spare part number
AC adapters	
90-W AC adapter for use in all countries and regions except Germany	463955-001
90-W AC adapter for use only in Germany	510485-001
65-W AC adapter	463958-001
Bluetooth laser mouse	455916-002
Power cords:	
For use in Argentina	490371-D01
For use in Australia	490371-011
For use in Brazil	490371-201
For use in Denmark	490371-081
For use in Europe, the Middle East, and Africa	490371-021
For use in India	490371-D61
For use in Italy	490371-061
For use in Japan	490371-291
For use in the People's Republic of China	490371-AA1
For use in South Korea	490371-AD1
For use in Taiwan	490371-AB1
For use in the United Kingdom and Singapore	490371-031
For use in Canada, Mexico, and the United States	490371-001
Remote controls:	
Full function remote control with teletext	465541-001
Full function remote control without teletext	465540-001
Screw Kit , includes:	496479-001
■ Phillips PM3.0×4.0 screws	
■ Phillips PM2.5×11.0 captive screws	
■ Phillips PM2.5×7.0 screws	
■ Phillips PM2.5×6.0 captive screws	
■ Phillips PM2.5×5.0 captive screws	
■ Phillips PM2.5×5.0 broadhead screws	
■ Phillips PM2.0×4.0 screws	
Wired headset with volume control	371693-001


Sequential part number listing

Spare part number	Description
371693-001	Wired headset with volume control
449729-001	RTC battery
455916-002	Bluetooth laser mouse
463955-001	90-W AC adapter for use in all countries and regions except Germany
463958-001	65-W AC adapter
465540-001	Full function remote control without teletext
465541-002	Full function remote control with teletext
480985-001	Intel Wi-Fi Link 5100 802.11a/b/g/n WLAN module for use in all countries and regions except Pakistan, Russia, and the Ukraine
482260-001	Atheros AR9280 802.11a/b/g/n WLAN module for use in Antigua and Barbuda, Barbados, Belize, Canada, the Cayman Islands, Guam, Puerto Rico, Trinidad and Tobago, the U.S. Virgin Islands, and the United States
482260-002	Atheros AR9280 802.11a/b/g/n WLAN module for use in Afghanistan, Albania, Algeria, Andorra, Angola, Antigua and Barbuda, Argentina, Armenia, Aruba, Australia, Austria, Azerbaijan, the Bahamas, Bahrain, Bangladesh, Barbados, Belarus, Belgium, Belize, Benin, Bermuda, Bhutan, Bolivia, Bosnia and Herzegovina, Botswana, Brazil, the British Virgin Islands, Brunei, Bulgaria, Burkina Faso, Burundi, Cameroon, Cape Verde, the Central African Republic, Chad, Chile, the People's Republic of China, Colombia, Comoros, the Congo, Costa Rica, Croatia, Cyprus, the Czech Republic, Denmark, Djibouti, Dominica, the Dominican Republic, East Timor, Ecuador, Egypt, El Salvador, Equatorial Guinea, Eritrea, Estonia, Ethiopia, Fiji, Finland, France, French Guiana, Gabon, Gambia, Georgia, Germany, Ghana, Gibraltar, Greece, Grenada, Guadeloupe, Guatemala, Guinea, Guinea-Bissau, Guyana, Haiti, Honduras, Hong Kong, Hungary, Iceland, India, Ireland, Israel, Italy, the Ivory Coast, Jamaica, Jordan, Kazakhstan, Kenya, Kiribati, Kyrgyzstan, Laos, Latvia, Lebanon, Lesotho, Liberia, Liechtenstein, Lithuania, Luxembourg, Macedonia, Madagascar, Malawi, Malaysia, the Maldives, Mali, Malta, the Marshall Islands, Martinique, Mauritania, Mauritius, Mexico, Micronesia, Monaco, Mongolia, Montenegro, Morocco, Mozambique, Namibia, Nauru, Nepal, the Nether Antilles, the Netherlands, New Zealand, Nicaragua, Niger, Nigeria, Norway, Oman, Pakistan, Palau, Panama, Papua New Guinea, Paraguay, Peru, the Philippines, Poland, Portugal, the Republic of Moldova, Romania, Russia, Rwanda, Samoa, San Marino, Sao Tome and Principe, Saudi Arabia, Senegal, Serbia, the Seychelles, Sierra Leone, Singapore, Slovakia, Slovenia, the Solomon Islands, Somalia, South Africa, South Korea, Spain, Sri Lanka, St. Kitts and Nevis, St. Lucia, St. Vincent and the Grenadines, Suriname, Swaziland, Sweden, Switzerland, Taiwan, Tajikistan, Tanzania, Togo, Tonga, Trinidad and Tobago, Tunisia, Turkey, Turkmenistan, Tuvalu, Uganda, Ukraine, the United Arab Emirates, the United Kingdom, Uruguay, Uzbekistan, Vanuatu, Venezuela, Vietnam, Yemen, Zaire, Zambia, and Zimbabwe
482899-001	NTSC/ATSC/ANG TV tuner module  The TV tuner module spare part kit does not include a TV tuner module cable. The TV tuner module cable is included in the Cable Kit, spare part number 496481-001.

(Continued)

Spare part number	Description
482899-002	DVB-T/ANG TV tuner module  The TV tuner module spare part kit does not include a TV tuner module cable. The TV tuner module cable is included in the Cable Kit, spare part number 496481-001.
482899-003	DVB-T TV tuner module  The TV tuner module spare part kit does not include a TV tuner module cable. The TV tuner module cable is included in the Cable Kit, spare part number 496481-001.
482900-001	TV tuner external antenna cable with PAL jack
482900-002	TV tuner external antenna cable with F-PAL jack
483113-001	Bluetooth module  The Bluetooth module spare part kit does not include a Bluetooth module cable. The Bluetooth module cable is available using spare part number 496461-001.
488317-001	Display inverter for use with display assemblies equipped with dual-lamp inverters
490371-001	Power cord for use in the United States
490371-011	Power cord for use in Australia
490371-021	Power cord for use in Europe, the Middle East, and Africa
490371-031	Power cord for use in the United Kingdom
490371-061	Power cord for use in Italy
490371-081	Power cord for use in Denmark
490371-201	Power cord for use in Brazil
490371-291	Power cord for use in Japan
490371-AA1	Power cord for use in the People's Republic of China
490371-AB1	Power cord for use in Taiwan
490371-AD1	Power cord for use in South Korea
490371-D01	Power cord for use in Argentina
490371-D61	Power cord for use in India
496460-001	System board (includes 512 MB of graphics subsystem memory and replacement thermal material)
496461-001	Bluetooth module cable
496462-001	Display enclosure
496463-001	Display Hinge Kit (includes display hinge bracket and left and right display hinges)
496464-001	Display hinge cover
496465-001	Display Cable Kit (includes wireless antenna transceivers and cables, webcam/microphone module cable, and display panel cable)
496467-001	Display inverter for use with display assemblies equipped with single-lamp inverters

(Continued)

Spare part number	Description
496468-001	16.0-inch, WXGA, AntiGlare, HD display assembly dual-lamp with webcam and microphone (includes 2 WLAN antenna transceivers and cables, webcam, microphones, and logo)
496469-001	Base enclosure (includes fan, power connector cable, power connector cable bracket, subwoofer, and 5 rubber feet)
496470-001	Top cover (includes fingerprint reader board, fingerprint reader board cable, TouchPad, and TouchPad cables)
496471-001	Switch cover
496472-001	Keyboard cover (includes LED board and cable)
496473-001	TouchPad on/off button board (includes cable)
496476-001	Speaker assembly
496477-001	Plastics Kit  See "Plastics Kit" on page 3-7 for more Plastics Kit spare part information.
496478-001	Rubber Feet Kit (includes 5 rubber feet)
496481-001	Cable Kit
496482-001	Power button board (includes cable)
496483-001	Audio/infrared board (includes cable)
496488-001	Fan/heat sink assembly (includes replacement thermal material)
496489-001	USB board (includes cable)
496672-001	Keyboard for use in the United States (includes cable)
496672-031	Keyboard for use in the United Kingdom (includes cable)
496672-041	Keyboard for use in Germany (includes cable)
496672-051	Keyboard for use in France (includes cable)
496672-061	Keyboard for use in Italy (includes cable)
496672-071	Keyboard for use in Spain (includes cable)
496672-141	Keyboard for use in Turkey (includes cable)
496672-161	Keyboard for use in Latin America (includes cable)
496672-251	Keyboard for use in Russia (includes cable)
496672-AB1	Keyboard for use in Taiwan (includes cable)
496672-B31	Keyboard for use in the Netherlands (includes cable)
496672-BG1	Keyboard for use in Switzerland (includes cable)
496672-DJ1	Keyboard for use in Greece (includes cable)

(Continued)

Spare part number	Description
496674-001	Webcam/microphone module
497692-001	1024-MB memory module (667-MHz, PC2-6400, 1-DIMM)
497693-001	2048-MB memory module (667-MHz, PC2-6400, 1-DIMM)
497694-001	6-cell, 2.55-Ah Li-ion battery for use in all countries and regions except Germany
497694-002	6-cell, 2.55-Ah Li-ion battery for use only in Germany
497695-001	12-cell, 8.80-Ah Li-ion battery
497936-001	16.0-inch, WXGA, AntiGlare, FHD, dual lamp with webcam and microphone display assembly (includes 2 WLAN antenna transceivers and cables, webcam, microphones, and logo)
497937-001	16.0-inch, WXGA, AntiGlare, HD, single lamp with webcam and microphone display assembly (includes 2 WLAN antenna transceivers and cables, webcam, microphones, and logo)
498068-001	160-GB, 7200-rpm hard drive (includes left and right hard drive brackets, Mylar sleeve, connector, and isolators)
498069-001	320-GB, 5400-rpm hard drive (includes left and right hard drive brackets, Mylar sleeve, connector, and isolators)
498070-001	160-GB, 5400-rpm hard drive (includes left and right hard drive brackets, Mylar sleeve, connector, and isolators)
498072-001	400-GB, 5400-rpm hard drive (includes left and right hard drive brackets, Mylar sleeve, connector, and isolators)
498073-001	Blu-ray ROM DVD±RW (includes bezel and bracket)
498074-001	Blu-ray ROM DVD±RW SuperMulti DL Drive with LightScribe (includes bezel and bracket)
498075-001	Blu-ray ROM DVD±RW SuperMulti DL Drive (includes bezel and bracket)
500600-001	Intel Core2 Duo T8400 2.26-GHz processor with 3-MB L2 cache and 1066-MHz FSB (includes replacement thermal material)
500601-001	Intel Core2 Duo T8600 2.40-GHz processor with 3-MB L2 cache and 1066-MHz FSB (includes replacement thermal material)
500603-001	Intel Core2 Duo T9500 2.53-GHz processor with 6-MB L2 cache and 1066-MHz FSB (includes replacement thermal material)
500604-001	Intel Core2 Duo T9600 2.80-GHz processor with 6-MB L2 cache and 1066-MHz FSB (includes replacement thermal material)
500605-001	Intel Core2 Duo T7550 2.13-GHz processor with 3-MB L2 cache and 1066-MHz FSB (includes replacement thermal material)
503391-001	Intel Core2 Duo T7350 2.00-GHz processor with 3-MB L2 cache and 1066-MHz FSB (includes replacement thermal material)
503392-001	DVD±RW and CD-RW SuperMulti Double-Layer Combo Drive with LightScribe (includes bezel and bracket)

(Continued)

Spare part number	Description
505856-001	250-GB, 5400-rpm hard drive (includes left and right hard drive brackets, Mylar sleeve, connector, and isolators)
505857-001	320-GB, 7200-rpm hard drive (includes left and right hard drive brackets, Mylar sleeve, connector, and isolators)
506591-001	4096-MB memory module (667-MHz, PC2-6400, 1-DIMM)
507951-001	Intel Core2 Duo T9800 2.93-GHz processor with 6-MB L2 cache and 1066-MHz FSB (includes replacement thermal material)
507953-001	Intel Core2 Duo T9550 2.66-GHz processor with 6-MB L2 cache and 1066-MHz FSB (includes replacement thermal material)
507960-001	Intel Core2 Duo T8700 2.53-GHz processor with 3-MB L2 cache and 1066-MHz FSB (includes replacement thermal material)
508199-121	Keyboard for use in French Canada (includes cable)
508199-171	Keyboard for use in Saudi Arabia (includes cable)
508199-281	Keyboard for use in Thailand (includes cable)
508199-291	Keyboard for use in Japan (includes cable)
508199-AD1	Keyboard for use in South Korea (includes cable)
508199-DH1	Keyboard for use in Denmark, Finland, and Norway (includes cable)
510485-001	90-W AC adapter for use only in Germany
513592-001	Intel Core2 Duo T6400 2.06-GHz processor with 3-MB L2 cache and 1066-MHz FSB (includes replacement thermal material)
513593-001	Intel Core2 Duo T6600 2.20-GHz processor with 3-MB L2 cache and 1066-MHz FSB (includes replacement thermal material)
514289-001	Display Cable Kit for use only with single-lamp display assemblies (includes wireless antenna transceivers and cables, webcam/microphone module cable, and display panel cable)
514290-001	Fan

Removal and replacement procedures

Preliminary replacement requirements

Tools required

You will need the following tools to complete the removal and replacement procedures:

- Flat-bladed screwdriver
- Magnetic screwdriver
- Phillips P0 and P1 screwdrivers

Service considerations

The following sections include some of the considerations that you must keep in mind during disassembly and assembly procedures.



As you remove each subassembly from the computer, place the subassembly (and all accompanying screws) away from the work area to prevent damage.

Plastic parts



CAUTION: Using excessive force during disassembly and reassembly can damage plastic parts. Use care when handling the plastic parts. Apply pressure only at the points designated in the maintenance instructions.

Cables and connectors



CAUTION: When servicing the computer, be sure that cables are placed in their proper locations during the reassembly process. Improper cable placement can damage the computer.

Cables must be handled with extreme care to avoid damage. Apply only the tension required to unseat or seat the cables during removal and insertion. Handle cables by the connector whenever possible. In all cases, avoid bending, twisting, or tearing cables. Be sure that cables are routed in such a way that they cannot be caught or snagged by parts being removed or replaced. Handle flex cables with extreme care; these cables tear easily.

Drive handling



CAUTION: Drives are fragile components that must be handled with care. To prevent damage to the computer, damage to a drive, or loss of information, observe these precautions:

- Before removing or inserting a hard drive, shut down the computer. If you are unsure whether the computer is off or in Hibernation, turn the computer on, and then shut it down through the operating system.
- Before handling a drive, be sure that you are discharged of static electricity. While handling a drive, avoid touching the connector.
- Before removing a diskette drive or optical drive, be sure that a diskette or disc is not in the drive and be sure that the optical drive tray is closed.
- Handle drives on surfaces covered with at least one inch of shock-proof foam.
- Avoid dropping drives from any height onto any surface.
- After removing a hard drive, an optical drive, or a diskette drive, place it in a static-proof bag.
- Avoid exposing a hard drive to products that have magnetic fields, such as monitors or speakers.
- Avoid exposing a drive to temperature extremes or liquids.
- If a drive must be mailed, place the drive in a bubble pack mailer or other suitable form of protective packaging and label the package "FRAGILE."

Grounding guidelines

Electrostatic discharge damage

Electronic components are sensitive to electrostatic discharge (ESD). Circuitry design and structure determine the degree of sensitivity. Networks built into many integrated circuits provide some protection, but in many cases, ESD contains enough power to alter device parameters or melt silicon junctions.

A discharge of static electricity from a finger or other conductor can destroy static-sensitive devices or microcircuitry. Even if the spark is neither felt nor heard, damage may have occurred.

An electronic device exposed to ESD may not be affected at all and may work perfectly throughout a normal cycle. Or the device may function normally for a while, and then degrade in the internal layers, reducing its life expectancy.



CAUTION: To prevent damage to the computer when you are removing or installing internal components, observe these precautions:

- Keep components in their electrostatic-safe containers until you are ready to install them.
- Use nonmagnetic tools.
- Before touching an electronic component, discharge static electricity by using the guidelines described in this section.
- Avoid touching pins, leads, and circuitry. Handle electronic components as little as possible.
- If you remove a component, place it in an electrostatic-safe container.

The following table shows how humidity affects the electrostatic voltage levels generated by different activities.



CAUTION: A product can be degraded by as little as 700 V.

Typical electrostatic voltage levels			
Event	Relative humidity		
	10%	40%	55%
Walking across carpet	35,000 V	15,000 V	7,500 V
Walking across vinyl floor	12,000 V	5,000 V	3,000 V
Motions of bench worker	6,000 V	800 V	400 V
Removing DIPS from plastic tube	2,000 V	700 V	400 V
Removing DIPS from vinyl tray	11,500 V	4,000 V	2,000 V
Removing DIPS from Styrofoam	14,500 V	5,000 V	3,500 V
Removing bubble pack from PCB	26,500 V	20,000 V	7,000 V
Packing PCBs in foam-lined box	21,000 V	11,000 V	5,000 V

Packaging and transporting guidelines

Follow these grounding guidelines when packaging and transporting equipment:

- To avoid hand contact, transport products in static-safe tubes, bags, or boxes.
- Protect ESD-sensitive parts and assemblies with conductive or approved containers or packaging.
- Keep ESD-sensitive parts in their containers until the parts arrive at static-free workstations.
- Place items on a grounded surface before removing items from their containers.
- Always be properly grounded when touching a component or assembly.
- Store reusable ESD-sensitive parts from assemblies in protective packaging or nonconductive foam.
- Use transporters and conveyors made of antistatic belts and roller bushings. Be sure that mechanized equipment used for moving materials is wired to ground and that proper materials are selected to avoid static charging. When grounding is not possible, use an ionizer to dissipate electric charges.

Workstation guidelines

Follow these grounding workstation guidelines:

- Cover the workstation with approved static-shielding material.
- Use a wrist strap connected to a properly grounded work surface and use properly grounded tools and equipment.
- Use conductive field service tools, such as cutters, screwdrivers, and vacuums.
- When fixtures must directly contact dissipative surfaces, use fixtures made only of static-safe materials.
- Keep the work area free of nonconductive materials, such as ordinary plastic assembly aids and Styrofoam.
- Handle ESD-sensitive components, parts, and assemblies by the case or PCM laminate. Handle these items only at static-free workstations.
- Avoid contact with pins, leads, or circuitry.
- Turn off power and input signals before inserting or removing connectors or test equipment.

Equipment guidelines

Grounding equipment must include either a wrist strap or a foot strap at a grounded workstation.

- When seated, wear a wrist strap connected to a grounded system. Wrist straps are flexible straps with a minimum of one megohm $\pm 10\%$ resistance in the ground cords. To provide proper ground, wear a strap snugly against the skin at all times. On grounded mats with banana-plug connectors, use alligator clips to connect a wrist strap.
- When standing, use foot straps and a grounded floor mat. Foot straps (heel, toe, or boot straps) can be used at standing workstations and are compatible with most types of shoes or boots. On conductive floors or dissipative floor mats, use foot straps on both feet with a minimum of one megohm resistance between the operator and ground. To be effective, the conductive strips must be worn in contact with the skin.

The following grounding equipment is recommended to prevent electrostatic damage:

- Antistatic tape
- Antistatic smocks, aprons, and sleeve protectors
- Conductive bins and other assembly or soldering aids
- Nonconductive foam
- Conductive tabletop workstations with ground cords of one megohm resistance
- Static-dissipative tables or floor mats with hard ties to the ground
- Field Service Kits
- Static awareness labels
- Material-handling packages
- Nonconductive plastic bags, tubes, or boxes
- Metal tote boxes
- Electrostatic voltage levels and protective materials

The following table lists the shielding protection provided by antistatic bags and floor mats.

Material	Use	Voltage protection level
Antistatic plastic	Bags	1,500 V
Carbon-loaded plastic	Floor mats	7,500 V
Metallized laminate	Floor mats	5,000 V

Unknown user password

If the computer you are servicing has an unknown user password, follow these steps to clear the password:



These steps also clear CMOS.

1. Shut down the computer. If you are unsure whether the computer is off or in Hibernation, turn the computer on, and then shut it down through the operating system.
2. Disconnect all external devices connected to the computer.
3. Disconnect the power from the computer by first unplugging the power cord from the AC outlet and then unplugging the AC adapter from the computer.
4. Remove the battery (see [“Battery” on page 4-8](#)).
5. Remove the real-time clock (RTC) battery (see [“RTC battery” on page 4-14](#)).
6. Wait approximately 5 minutes.
7. Replace the RTC battery and reassemble the computer.
8. Connect AC power to the computer. Do not reinsert any batteries at this time.
9. Turn on the computer.

All passwords and all CMOS settings have been cleared.

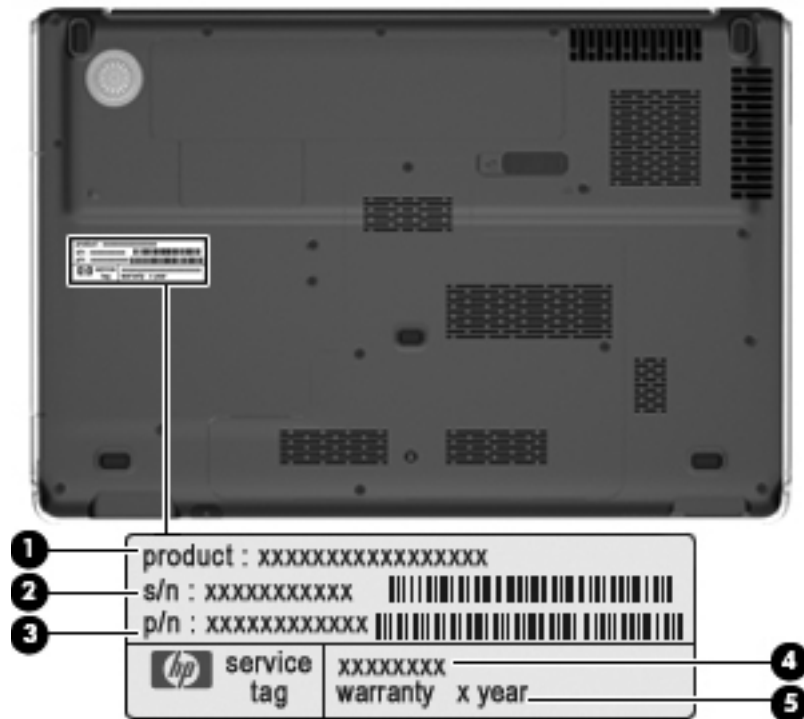
Component replacement procedures

This chapter provides removal and replacement procedures.

There are as many as 85 screws, in 7 different sizes, that must be removed, replaced, or loosened when servicing the computer. Make special note of each screw size and location during removal and replacement.

Service tag

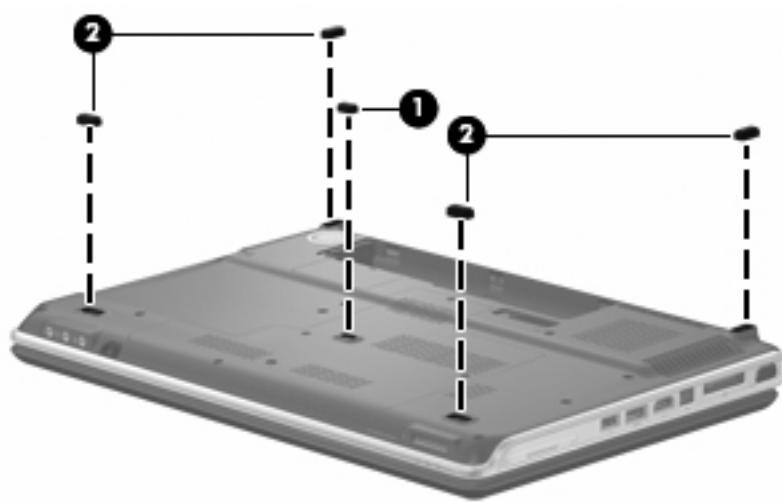
When ordering parts or requesting information, provide the computer serial number and model description provided on the service tag.



Item	Component	Description
1	Product name	This is the product name affixed to the front of the computer.
2	Serial number (s/n)	This is an alphanumeric identifier that is unique to each product.
3	Part number/Product number (p/n)	This number provides specific information about the product's hardware components. The part number helps a service technician to determine what components and parts are needed.
4	Model description	This is the number used to locate documents, drivers, and support for the computer.
5	Warranty period	This number describes the duration of the warranty period for the computer.

Computer feet

The computer feet are adhesive-backed rubber pads. The feet are included in the Rubber Feet Kit, spare part number 496478-001. There are 5 rubber feet, in two different sizes (❶ and ❷), that attach to the base enclosure in the locations illustrated below.



Battery

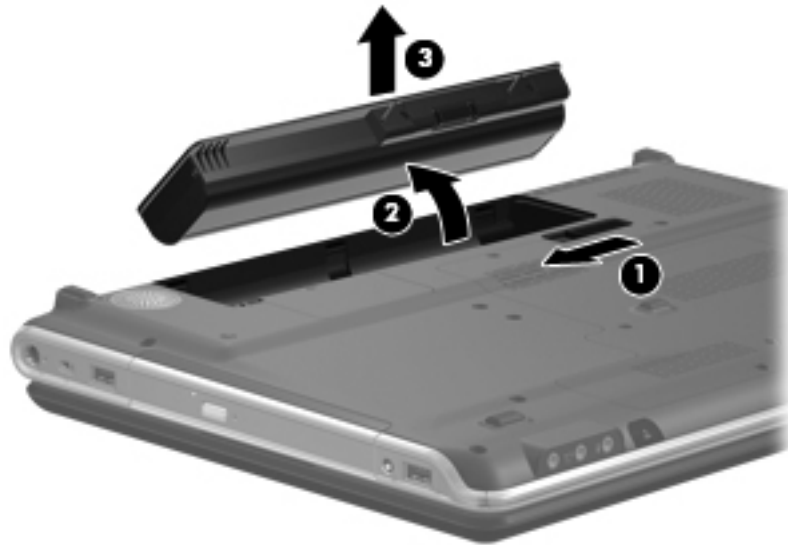
Description	Spare part number
12-cell, 8.80-Ah Li-ion	497695-001
6-cell, 2.55-Ah Li-ion for use in all countries and regions except Germany	497694-001
6-cell, 2.55-Ah Li-ion for use only in Germany	497694-002

Before disassembling the computer, follow these steps:

1. Shut down the computer. If you are unsure whether the computer is off or in Hibernation, turn the computer on, and then shut it down through the operating system.
2. Disconnect all external devices connected to the computer.
3. Disconnect the power from the computer by first unplugging the power cord from the AC outlet and then unplugging the AC adapter from the computer.

Remove the battery:

1. Turn the computer upside down on a flat surface, with the front toward you.
2. Slide the battery release latch **1** to release the battery.
3. Pivot the battery **2** upward and remove it **3** from the computer.



To insert the battery, insert the rear edge of the battery into the battery bay and pivot the front edge of the battery downward until it is seated. The battery release latch automatically locks the battery into place.

Optical drive



The optical drive spare part kit includes an optical drive bezel and bracket.

Description	Spare part number
Blu-ray ROM DVD±RW SuperMulti DL Drive with LightScribe	498074-001
Blu-ray ROM DVD±RW SuperMulti DL Drive	498075-001
Blu-ray ROM DVD±RW Drive	498073-001
DVD±RW and CD-RW SuperMulti Double-Layer Combo Drive with LightScribe	503392-001

Before removing the optical drive, follow these steps:

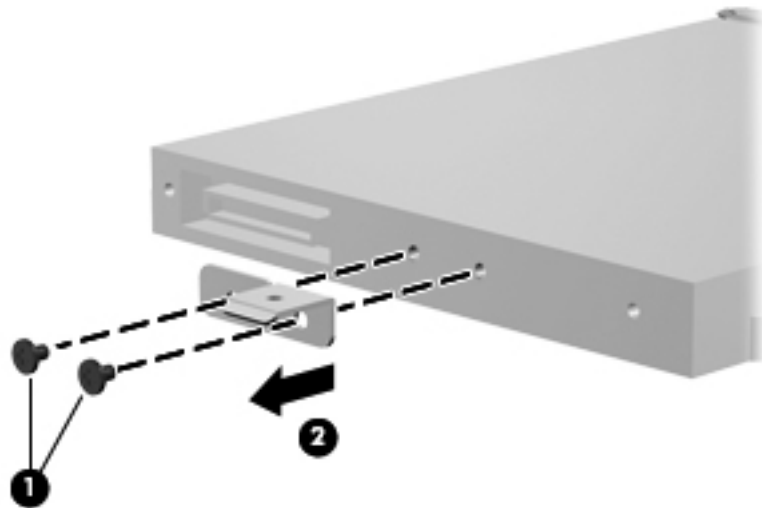
1. Shut down the computer. If you are unsure whether the computer is off or in Hibernation, turn the computer on, and then shut it down through the operating system.
2. Disconnect all external devices connected to the computer.
3. Disconnect the power from the computer by first unplugging the power cord from the AC outlet and then unplugging the AC adapter from the computer.
4. Remove the battery (see “Battery” on page 4-8).

Remove the optical drive:

1. Position the computer with the left side toward you.
2. Remove the Phillips PM2.5×7.0 screw ❶ that secures the optical drive to the computer.
3. Insert an unbent paper clip or similar tool into the optical drive tab access ❷ and push the tab forward to release the optical drive from the computer.
4. Remove the optical drive ❸ from the computer.



5. If it is necessary to replace the optical drive bracket:
 - a. Position the optical drive with the rear toward you.
 - b. Remove the two Phillips PM2.0×4.0 screws ❶ that secure the optical drive bracket to the optical drive.
 - c. Remove the optical drive bracket ❷.



Reverse this procedure to reassemble and install an optical drive.

Hard drive



The hard drive spare part kit includes a left and right hard drive bracket, Mylar sleeve, connector, and four isolators.

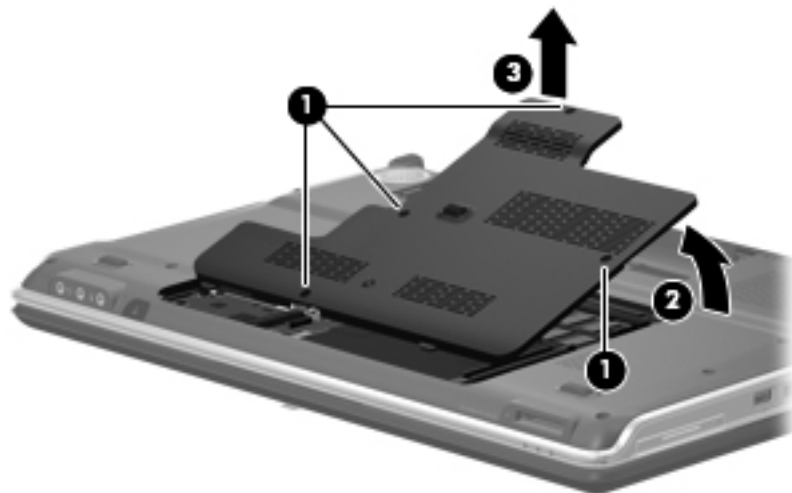
Description	Spare part number
500-GB, 5400-rpm	498071-001
400-GB, 5400-rpm	498072-001
320-GB, 7200-rpm	505857-001
320-GB, 5400-rpm	498069-001
250-GB, 5400-rpm	505856-001
160-GB, 7200-rpm	498068-001
160-GB, 5400-rpm	498070-001

Before removing the hard drive, follow these steps:

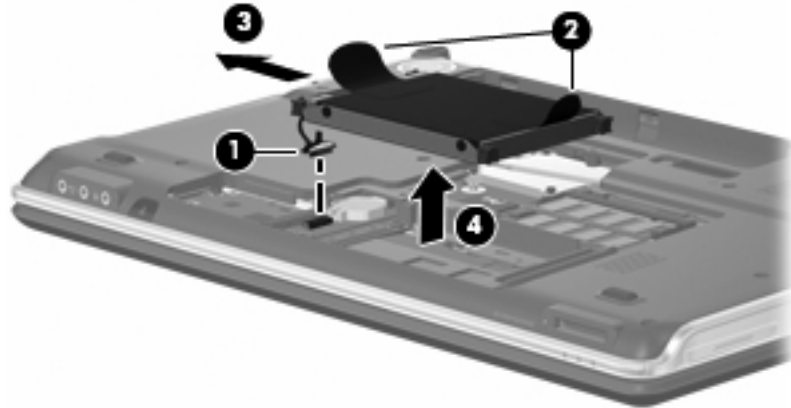
1. Shut down the computer. If you are unsure whether the computer is off or in Hibernation, turn the computer on, and then shut it down through the operating system.
2. Disconnect all external devices connected to the computer.
3. Disconnect the power from the computer by first unplugging the power cord from the AC outlet and then unplugging the AC adapter from the computer.
4. Remove the battery (see “[Battery](#)” on page 4-8).

Remove the hard drive:

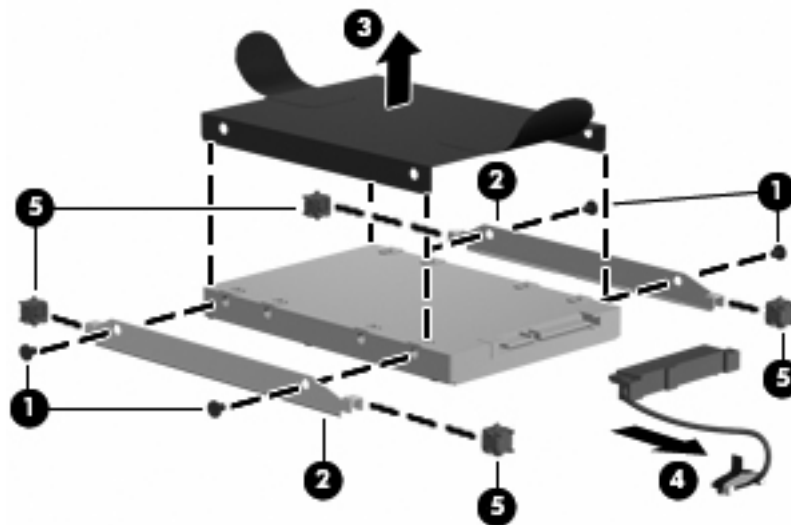
1. Loosen the four Phillips PM2.5×6.0 captive screws ❶ that secure the hard drive cover to the computer.
2. Lift the rear edge of the hard drive cover ❷, swing it up and forward, and then remove the cover ❸. The hard drive cover is included in the Plastics Kit, spare part number 496477-001.



3. Disconnect the hard drive cable ❶ from the system board.
4. Grasp the Mylar tabs ❷ on the hard drive and slide the hard drive ❸ to the left.
5. Remove the hard drive from the hard drive bay ❹.



6. If it is necessary to replace the left and right hard drive brackets, Mylar sleeve, connector, and isolators:
 - a. Remove the two Phillips PM3.0×4.0 hard drive bracket screws ❶ from each side of the hard drive.
 - b. Remove the left and right hard drive brackets ❷.
 - c. Lift the Mylar sleeve ❸ straight up to remove it from the hard drive.
 - d. Remove the hard drive connector ❹.
 - e. Remove the four isolators ❺.



Reverse this procedure to reassemble and install the hard drive.

TV tuner module

Description	Spare part number
DVB-T TV tuner module	482899-003
DVB-T/ANG TV tuner module	482899-002
NTSC/ATSC/ANG TV tuner module	482899-001

Before removing the TV tuner module, follow these steps:

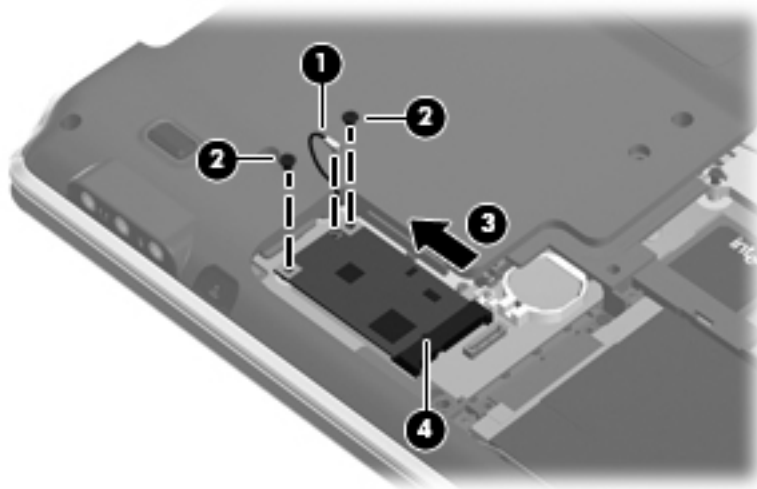
1. Shut down the computer. If you are unsure whether the computer is off or in Hibernation, turn the computer on, and then shut it down through the operating system.
2. Disconnect all external devices connected to the computer.
3. Disconnect the power from the computer by first unplugging the power cord from the AC outlet and then unplugging the AC adapter from the computer.
4. Remove the battery (see “Battery” on page 4-8).
5. Remove the hard drive cover (see “Hard drive” on page 4-11).

Remove the TV tuner module:

1. Disconnect the TV tuner module antenna cable ❶ from the terminal on the TV tuner module.
2. Remove the two Phillips PM2.0×4.0 screws ❷ that secure the TV tuner module to the computer. (The edge of the module opposite the slot rises away from the computer.)
3. Remove the TV tuner module ❸ by pulling the module away from the slot at an angle.



The TV tuner module is designed with a notch ❹ to prevent incorrect insertion into the TV tuner module slot.



Reverse this procedure to install a TV tuner module.

RTC battery



Removing the RTC battery and leaving it uninstalled for 5 or more minutes causes all passwords and CMOS settings to be cleared.

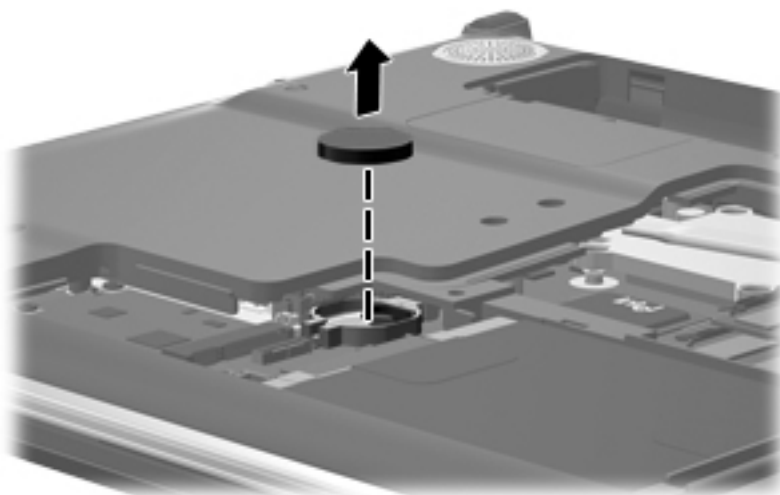
Description	Spare part number
RTC battery	449729-001

Before removing the RTC battery, follow these steps:

1. Shut down the computer. If you are unsure whether the computer is off or in Hibernation, turn the computer on, and then shut it down through the operating system.
2. Disconnect all external devices connected to the computer.
3. Disconnect the power from the computer by first unplugging the power cord from the AC outlet and then unplugging the AC adapter from the computer.
4. Remove the battery (see [“Battery” on page 4-8](#)).
5. Remove the hard drive cover (see [“Hard drive” on page 4-11](#)).

Remove the RTC battery:

- » Lift the RTC battery from the socket.



Reverse this procedure to install the RTC battery.

Memory module

Description	Spare part number
4096-MB (667-MHz, PC2-6400, 1-DIMM)	506591-001
2048-MB (667-MHz, PC2-6400, 1-DIMM)	497693-001
1024-MB (667-MHz, PC2-6400, 1-DIMM)	497692-001

Before removing the memory module, follow these steps:

1. Shut down the computer. If you are unsure whether the computer is off or in Hibernation, turn the computer on, and then shut it down through the operating system.
2. Disconnect all external devices connected to the computer.
3. Disconnect the power from the computer by first unplugging the power cord from the AC outlet and then unplugging the AC adapter from the computer.
4. Remove the battery (see “[Battery](#)” on page 4-8).
5. Remove the hard drive cover (see “[Hard drive](#)” on page 4-11).

Remove the memory module:

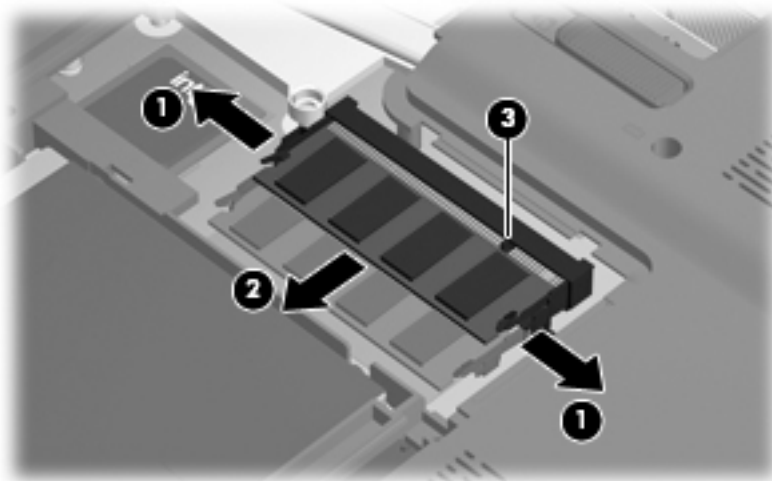


The top memory module slot contains the expansion memory module. The bottom slot contains the primary memory module.

1. Spread the retaining tabs ❶ on each side of the memory module slot to release the memory module. (The edge of the module opposite the slot rises away from the computer.)
2. Remove the memory module ❷ by pulling the module away from the slot at an angle.



Memory modules are designed with a notch ❸ to prevent incorrect insertion into the memory module slot.



Reverse this procedure to install a memory module.

WLAN module

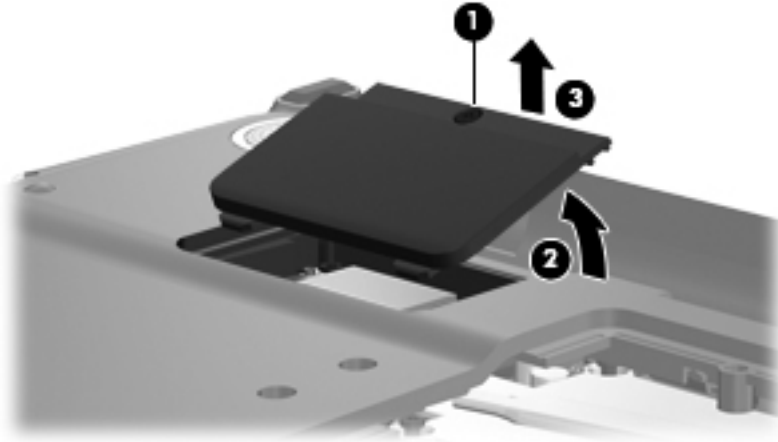
Description	Spare part number
Atheros AR9280 802.11a/b/g/n WLAN module for use in Antigua and Barbuda, Barbados, Belize, Canada, the Cayman Islands, Guam, Puerto Rico, Trinidad and Tobago, the U.S. Virgin Islands, and the United States	482260-001
Atheros AR9280 802.11a/b/g/n WLAN module for use in Afghanistan, Albania, Algeria, Andorra, Angola, Antigua and Barbuda, Argentina, Armenia, Aruba, Australia, Austria, Azerbaijan, the Bahamas, Bahrain, Bangladesh, Barbados, Belarus, Belgium, Belize, Benin, Bermuda, Bhutan, Bolivia, Bosnia and Herzegovina, Botswana, Brazil, the British Virgin Islands, Brunei, Bulgaria, Burkina Faso, Burundi, Cameroon, Cape Verde, the Central African Republic, Chad, Chile, the People's Republic of China, Colombia, Comoros, the Congo, Costa Rica, Croatia, Cyprus, the Czech Republic, Denmark, Djibouti, Dominica, the Dominican Republic, East Timor, Ecuador, Egypt, El Salvador, Equatorial Guinea, Eritrea, Estonia, Ethiopia, Fiji, Finland, France, French Guiana, Gabon, Gambia, Georgia, Germany, Ghana, Gibraltar, Greece, Grenada, Guadeloupe, Guatemala, Guinea, Guinea-Bissau, Guyana, Haiti, Honduras, Hong Kong, Hungary, Iceland, India, Ireland, Israel, Italy, the Ivory Coast, Jamaica, Jordan, Kazakhstan, Kenya, Kiribati, Kyrgyzstan, Laos, Latvia, Lebanon, Lesotho, Liberia, Liechtenstein, Lithuania, Luxembourg, Macedonia, Madagascar, Malawi, Malaysia, the Maldives, Mali, Malta, the Marshall Islands, Martinique, Mauritania, Mauritius, Mexico, Micronesia, Monaco, Mongolia, Montenegro, Morocco, Mozambique, Namibia, Nauru, Nepal, the Nether Antilles, the Netherlands, New Zealand, Nicaragua, Niger, Nigeria, Norway, Oman, Pakistan, Palau, Panama, Papua New Guinea, Paraguay, Peru, the Philippines, Poland, Portugal, the Republic of Moldova, Romania, Russia, Rwanda, Samoa, San Marino, Sao Tome and Principe, Saudi Arabia, Senegal, Serbia, the Seychelles, Sierra Leone, Singapore, Slovakia, Slovenia, the Solomon Islands, Somalia, South Africa, South Korea, Spain, Sri Lanka, St. Kitts and Nevis, St. Lucia, St. Vincent and the Grenadines, Suriname, Swaziland, Sweden, Switzerland, Taiwan, Tajikistan, Tanzania, Togo, Tonga, Trinidad and Tobago, Tunisia, Turkey, Turkmenistan, Tuvalu, Uganda, Ukraine, the United Arab Emirates, the United Kingdom, Uruguay, Uzbekistan, Vanuatu, Venezuela, Vietnam, Yemen, Zaire, Zambia, and Zimbabwe	482260-002
Intel Wi-Fi Link 5100 802.11a/b/g/n WLAN module for use in all countries and regions except Pakistan, Russia, and the Ukraine	480985-001
Intel Wi-Fi Link 5100 802.11a/b/g WLAN module for use only in Pakistan, Russia, and the Ukraine	482957-001

Before removing the WLAN module, follow these steps:


1. Shut down the computer. If you are unsure whether the computer is off or in Hibernation, turn the computer on, and then shut it down through the operating system.
2. Disconnect all external devices connected to the computer.
3. Disconnect the power from the computer by first unplugging the power cord from the AC outlet and then unplugging the AC adapter from the computer.
4. Remove the battery (see [“Battery” on page 4-8](#)).

Remove the WLAN module:


1. Loosen the Phillips PM2.5×6.0 captive screw ❶ that secures the WLAN module compartment cover to the computer.
2. Lift the right side of the WLAN module compartment cover ❷, swing it up and to the left, and then remove the cover ❸. The WLAN module compartment cover is included in the Plastics Kit, spare part number 496477-001.

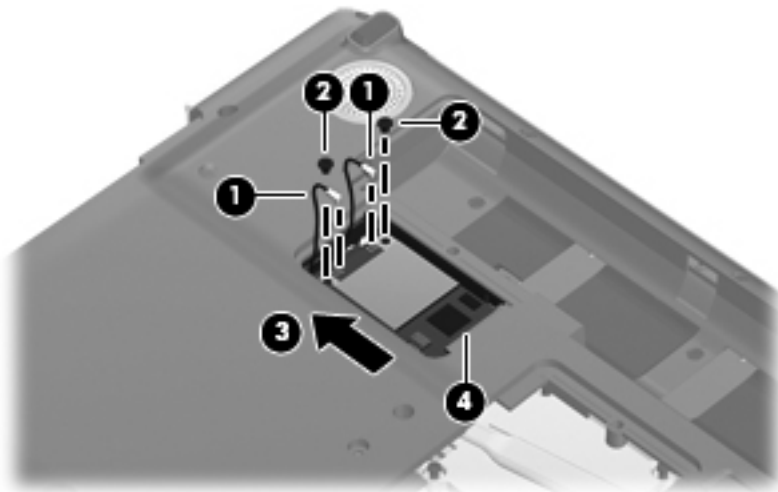


3. Disconnect the WLAN antenna cables ❶ from the terminals on the WLAN module.

 The black WLAN antenna cable is connected to the WLAN module “Main” terminal. The white WLAN antenna cable is connected to the WLAN module “Aux” terminal.

4. Remove the two Phillips PM2.0×4.0 screws ❷ that secure the WLAN module to the computer. (The edge of the module opposite the slot rises away from the computer.)
5. Remove the WLAN module ❸ by pulling the module away from the slot at an angle.

 WLAN modules are designed with a notch ❹ to prevent incorrect insertion into the WLAN module slot.



Reverse this procedure to install the WLAN module.

Switch cover

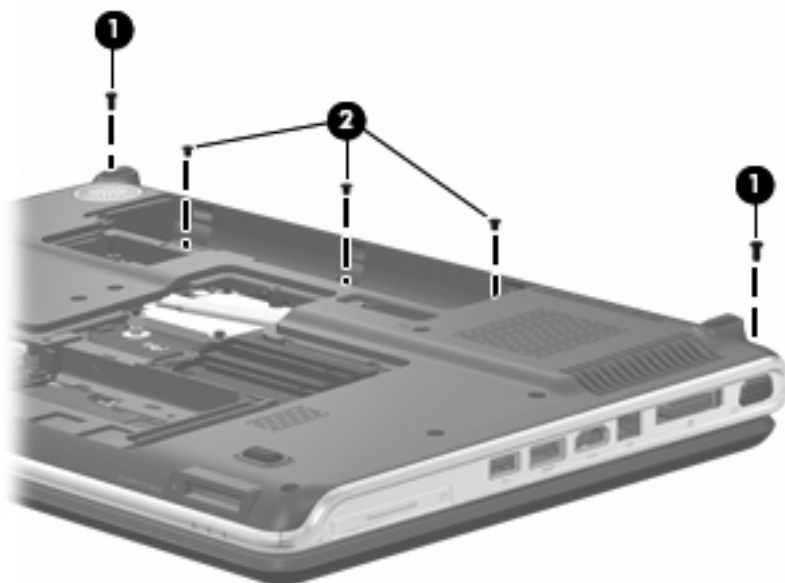
Description	Spare part number
Switch cover	496471-001

Before removing the switch cover, follow these steps:

1. Shut down the computer. If you are unsure whether the computer is off or in Hibernation, turn the computer on, and then shut it down through the operating system.
2. Disconnect all external devices connected to the computer.
3. Disconnect the power from the computer by first unplugging the power cord from the AC outlet and then unplugging the AC adapter from the computer.
4. Remove the battery (see [“Battery” on page 4-8](#)).

Remove the switch cover:

1. Remove the two Phillips PM2.5×7.0 screws **1** and the three Phillips PM2.0×4.0 screws **2** that secure the switch cover to the computer.



2. Turn the computer display-side up, with the front toward you.
3. Open the computer as far as possible.
4. Lift the right side of the switch cover ❶ until it detaches from the computer.
5. Remove the switch cover ❷ by lifting it straight up.



Reverse this procedure to install the switch cover.

Keyboard cover

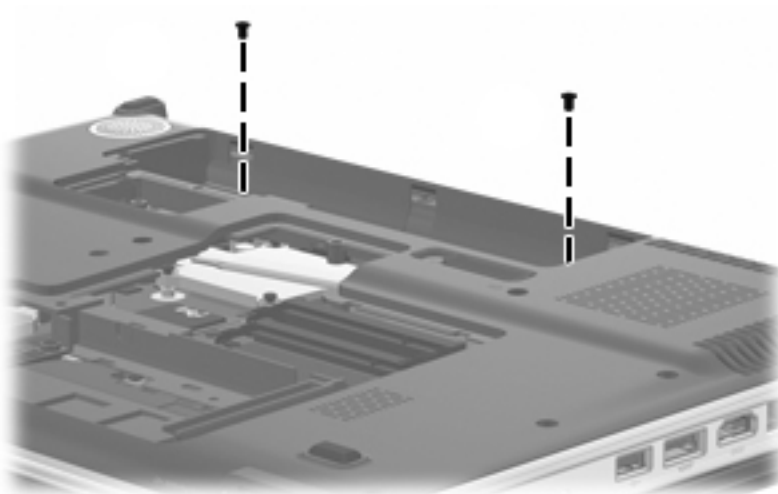
Description	Spare part number
Keyboard cover (includes LED board and cable)	496472-001

Before removing the keyboard cover, follow these steps:

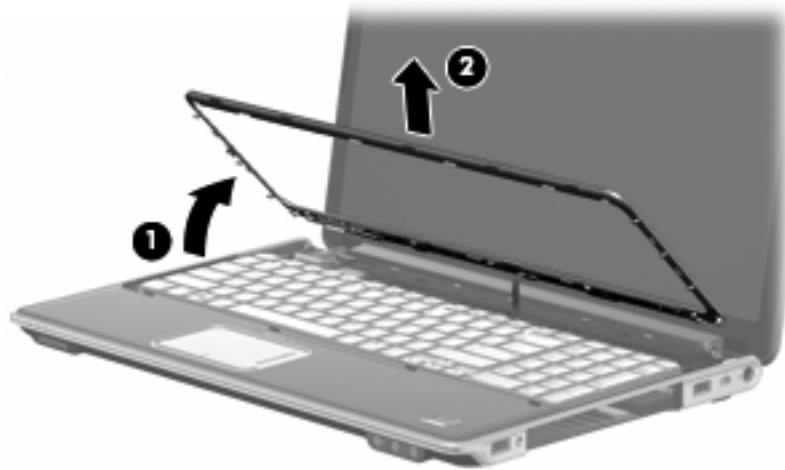
1. Shut down the computer. If you are unsure whether the computer is off or in Hibernation, turn the computer on, and then shut it down through the operating system.
2. Disconnect all external devices connected to the computer.
3. Disconnect the power from the computer by first unplugging the power cord from the AC outlet and then unplugging the AC adapter from the computer.
4. Remove the battery (see [“Battery” on page 4-8](#)).
5. Remove the switch cover (see [“Switch cover” on page 4-18](#)).

Remove the keyboard cover:

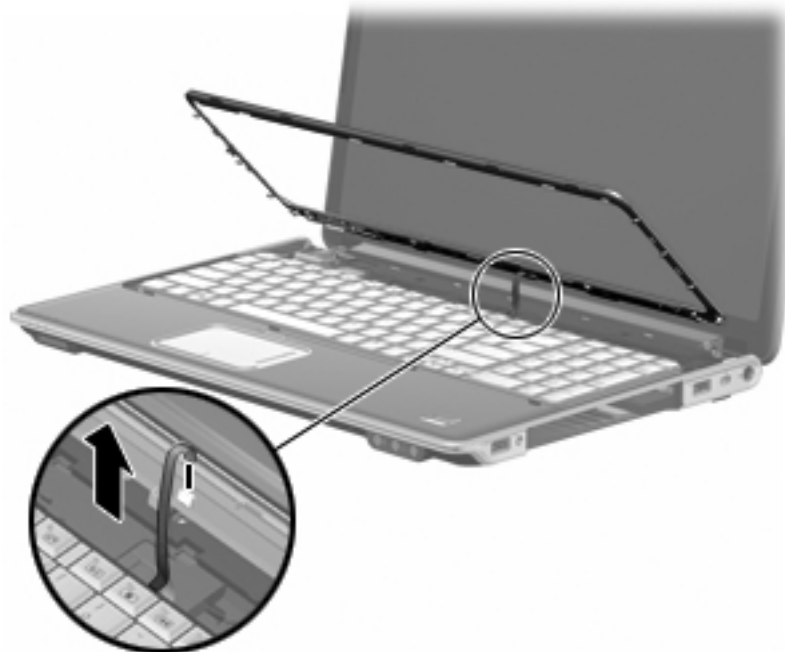
1. Turn the computer upside down, with the rear toward you.
2. Remove the two Phillips PM2.0×4.0 screws that secure the keyboard cover to the computer.



3. Turn the computer display-side up, with the front toward you.
4. Open the computer as far as possible.
5. Release the keyboard cover by lifting the front edge ❶ until it rests at an angle.
6. Lift the keyboard cover ❷ as far as the power button board cable allows.



7. Disconnect the LED board cable from the LED board.



8. Remove the keyboard cover.
- Reverse this procedure to install the keyboard cover.

Power button board

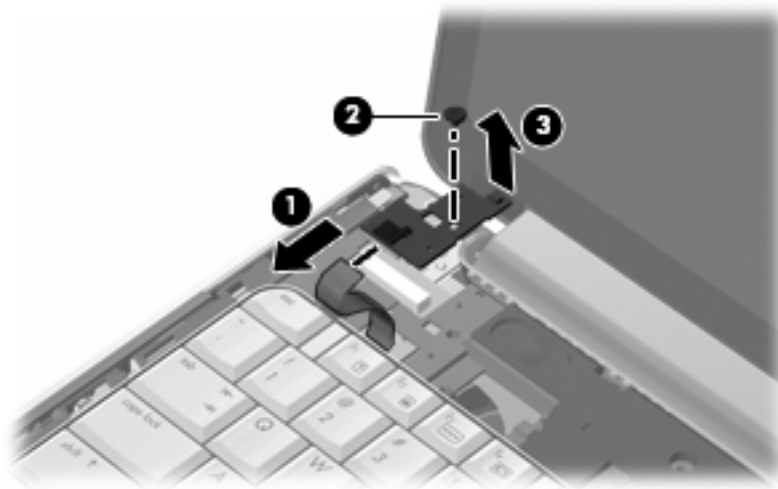
Description	Spare part number
Power button board (includes cable)	496482-001

Before removing the power button board, follow these steps:

1. Shut down the computer. If you are unsure whether the computer is off or in Hibernation, turn the computer on, and then shut it down through the operating system.
2. Disconnect all external devices connected to the computer.
3. Disconnect the power from the computer by first unplugging the power cord from the AC outlet and then unplugging the AC adapter from the computer.
4. Remove the battery (see [“Battery” on page 4-8](#)).
5. Remove the switch cover (see [“Switch cover” on page 4-18](#)).
6. Remove the switch cover (see [“Keyboard cover” on page 4-20](#)).

Remove the power button board:

1. Disconnect the power button board cable ❶ from the low insertion force (LIF) connector on the power button board.
2. Remove the Phillips PM2.0×4.0 screw ❷ that secures the power button board to the computer.
3. Remove the power button board ❸.



Reverse this procedure to install the power button board.

Bluetooth module



The Bluetooth module spare part kit does not include a Bluetooth module cable. The Bluetooth module cable is available using spare part number 496461-001. See [“Bluetooth module cable” on page 4-28](#) for Bluetooth module cable removal information.

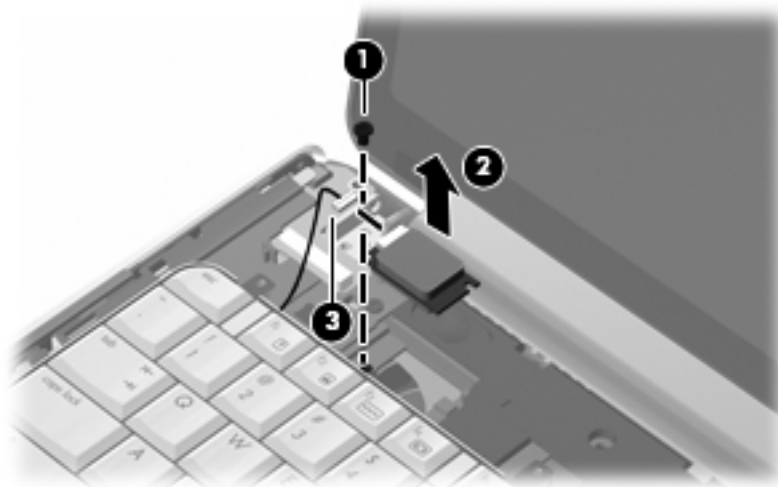
Description	Spare part number
Bluetooth module	483113-001

Before removing the Bluetooth module, follow these steps:

1. Shut down the computer. If you are unsure whether the computer is off or in Hibernation, turn the computer on, and then shut it down through the operating system.
2. Disconnect all external devices connected to the computer.
3. Disconnect the power from the computer by first unplugging the power cord from the AC outlet and then unplugging the AC adapter from the computer.
4. Remove the battery (see [“Battery” on page 4-8](#)).
5. Remove the following components:
 - a. Switch cover (see [“Switch cover” on page 4-18](#))
 - b. Keyboard cover (see [“Keyboard cover” on page 4-20](#))
 - c. Power button board (see [“Power button board” on page 4-22](#))

Remove the Bluetooth module:

1. Remove the Phillips PM2.0×4.0 screw **1** that secures the Bluetooth module to the top cover.
2. Release the Bluetooth module **2** as far as the Bluetooth module cable allows.
3. Disconnect the Bluetooth module cable **3** from the Bluetooth module.



Reverse this procedure to install the Bluetooth module.

Keyboard

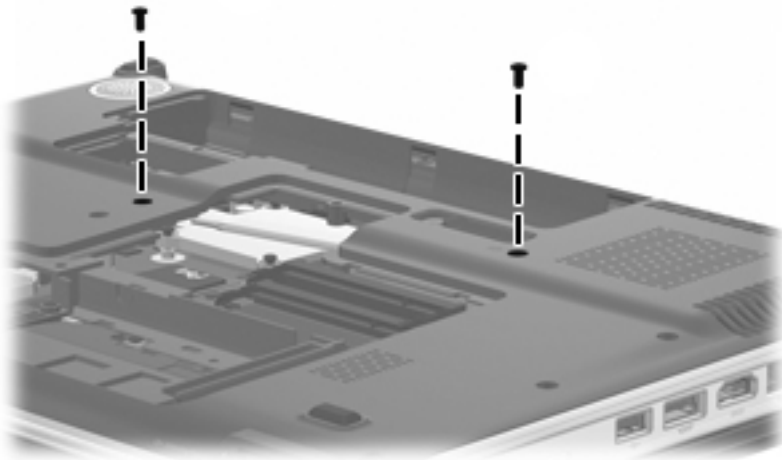
Description	Spare part number
For use in Denmark, Finland, and Norway	508199-DH1
For use in France	496672-051
For use in French Canada	508199-121
For use in Germany	496672-041
For use in Greece	496672-DJ1
For use in Italy	496672-061
For use in Japan	508199-291
For use in Latin America	496672-161
For use in the Netherlands	496672-B31
For use in Russia	496672-251
For use in Saudi Arabia	508199-171
For use in South Korea	508199-AD1
For use in Spain	496672-071
For use in Switzerland	496672-BG1
For use in Taiwan	496672-AB1
For use in Thailand	508199-281
For use in Turkey	496672-141
For use in the United Kingdom	496672-031
For use in the United States	496672-001

Before removing the keyboard, follow these steps:

1. Shut down the computer. If you are unsure whether the computer is off or in Hibernation, turn the computer on, and then shut it down through the operating system.
2. Disconnect all external devices connected to the computer.
3. Disconnect the power from the computer by first unplugging the power cord from the AC outlet and then unplugging the AC adapter from the computer.
4. Remove the battery (see [“Battery” on page 4-8](#)).
5. Remove the switch cover (see [“Switch cover” on page 4-18](#)).
6. Remove the keyboard cover (see [“Keyboard cover” on page 4-20](#)).

Remove the keyboard:

1. Turn the computer upside down, with the front toward you.
2. Remove the two Phillips PM2.5×7.0 screws that secure the keyboard to the computer.



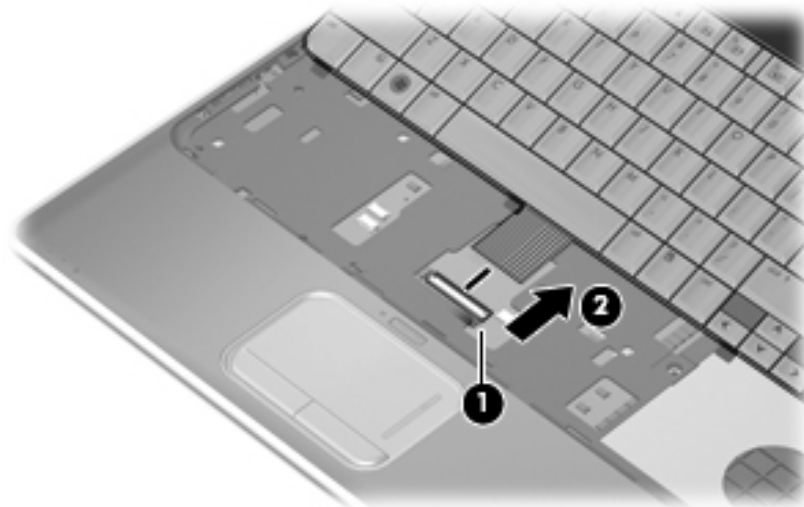
3. Turn the computer display-side up, with the front toward you.
4. Open the computer as far as possible.
5. Remove the Phillips PM2.0×4.0 screw that secures the keyboard to the computer.



6. Lift the rear edge of the keyboard **1** until it rests at an angle.
7. Release the keyboard **2** by sliding it back to disengage the tabs on the front edge of the keyboard from the top cover and rest it on the display.



8. Release the zero insertion force (ZIF) connector **1** to which the keyboard cable is attached and disconnect the keyboard cable **2** from the system board.



9. Remove the keyboard.
- Reverse this procedure to install the keyboard.

Power button board cable



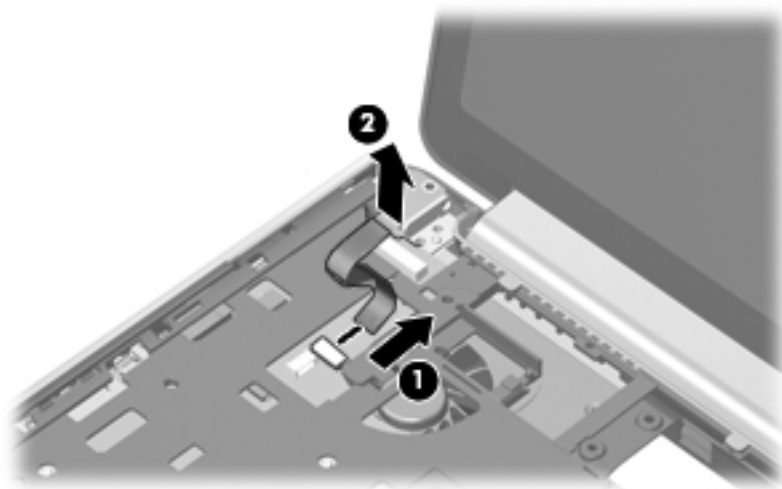
The power button board cable is included with the power button board, spare part number 496482-001.

Before removing the power button board cable, follow these steps:

1. Shut down the computer. If you are unsure whether the computer is off or in Hibernation, turn the computer on, and then shut it down through the operating system.
2. Disconnect all external devices connected to the computer.
3. Disconnect the power from the computer by first unplugging the power cord from the AC outlet and then unplugging the AC adapter from the computer.
4. Remove the battery (see [“Battery” on page 4-8](#)).
5. Remove the following components:
 - a. Switch cover (see [“Switch cover” on page 4-18](#))
 - b. Keyboard cover (see [“Keyboard cover” on page 4-20](#))
 - c. Power button board (see [“Power button board” on page 4-22](#))
 - d. Keyboard (see [“Keyboard” on page 4-24](#))

Remove the power button board cable:

1. Disconnect the power button board cable ❶ from the LIF connector on the system board.
2. Remove the power button board cable ❷.



Reverse this procedure to install the power button board cable.

Bluetooth module cable

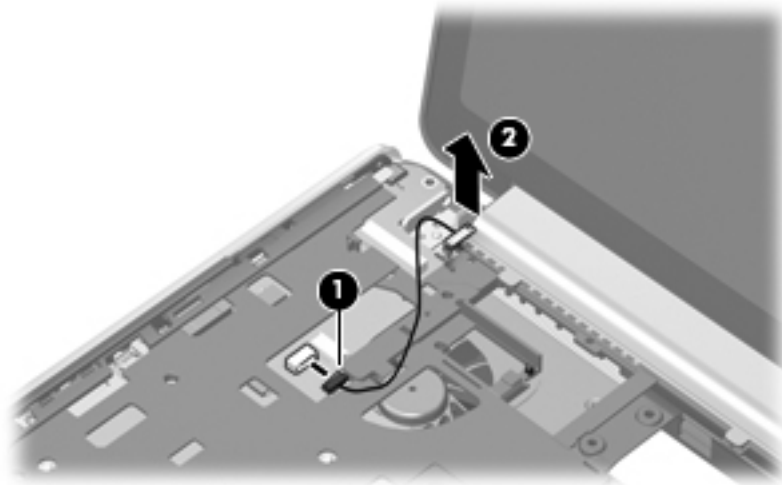
Description	Spare part number
Bluetooth module cable	496461-001

Before removing the Bluetooth module cable, follow these steps:

1. Shut down the computer. If you are unsure whether the computer is off or in Hibernation, turn the computer on, and then shut it down through the operating system.
2. Disconnect all external devices connected to the computer.
3. Disconnect the power from the computer by first unplugging the power cord from the AC outlet and then unplugging the AC adapter from the computer.
4. Remove the battery (see [“Battery” on page 4-8](#)).
5. Remove the following components:
 - a. Switch cover (see [“Switch cover” on page 4-18](#))
 - b. Keyboard cover (see [“Keyboard cover” on page 4-20](#))
 - c. Bluetooth module (see [“Bluetooth module” on page 4-23](#))
 - d. Keyboard (see [“Keyboard” on page 4-24](#))

Remove the Bluetooth module cable:

1. Disconnect the Bluetooth module cable ❶ from the system board.
2. Remove the Bluetooth module cable ❷.



Reverse this procedure to install the Bluetooth module cable.

LED board cable



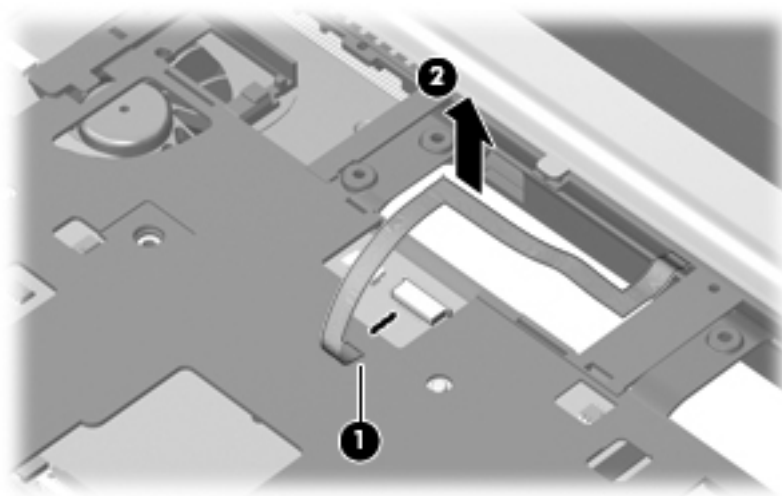
The LED board cable is included with the keyboard cover, spare part number 496472-001.

Before removing the LED board cable, follow these steps:

1. Shut down the computer. If you are unsure whether the computer is off or in Hibernation, turn the computer on, and then shut it down through the operating system.
2. Disconnect all external devices connected to the computer.
3. Disconnect the power from the computer by first unplugging the power cord from the AC outlet and then unplugging the AC adapter from the computer.
4. Remove the battery (see [“Battery” on page 4-8](#)).
5. Remove the following components:
 - a. Switch cover (see [“Switch cover” on page 4-18](#))
 - b. Keyboard cover (see [“Keyboard cover” on page 4-20](#))
 - c. Keyboard (see [“Keyboard” on page 4-24](#))

Remove the LED board cable:

1. Release the ZIF connector **1** to which the LED board cable is attached and disconnect the LED board cable from the system board.
2. Remove the LED board cable **2**.



Reverse this procedure to install the LED board cable.

Speaker assembly

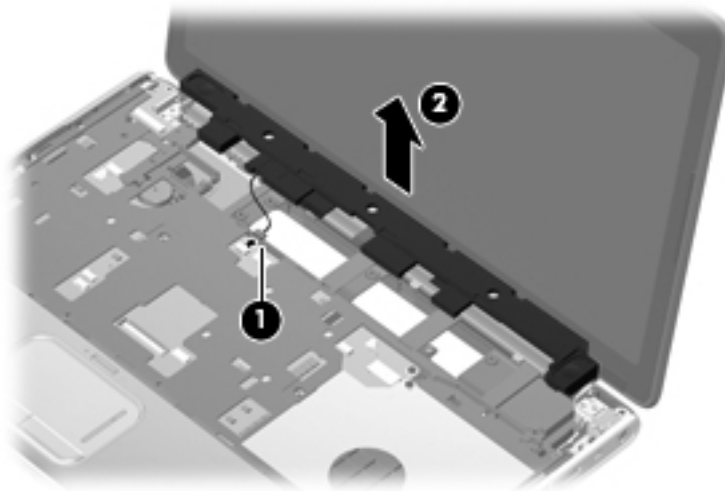
Description	Spare part number
Speaker assembly	496476-001

Before removing the speaker assembly, follow these steps:

1. Shut down the computer. If you are unsure whether the computer is off or in Hibernation, turn the computer on, and then shut it down through the operating system.
2. Disconnect all external devices connected to the computer.
3. Disconnect the power from the computer by first unplugging the power cord from the AC outlet and then unplugging the AC adapter from the computer.
4. Remove the battery (see [“Battery” on page 4-8](#)).
5. Remove the following components:
 - a. Switch cover (see [“Switch cover” on page 4-18](#))
 - b. Keyboard cover (see [“Keyboard cover” on page 4-20](#))
 - c. Keyboard (see [“Keyboard” on page 4-24](#))

Remove the speaker assembly:

1. Disconnect the speaker assembly cable ❶ from the system board.
2. Remove the speaker assembly ❷.



Reverse this procedure to install the speaker assembly.

Display assembly

The display assembly spare part kit includes 2 WLAN antenna transceivers and cables, webcam, microphones, and logo.

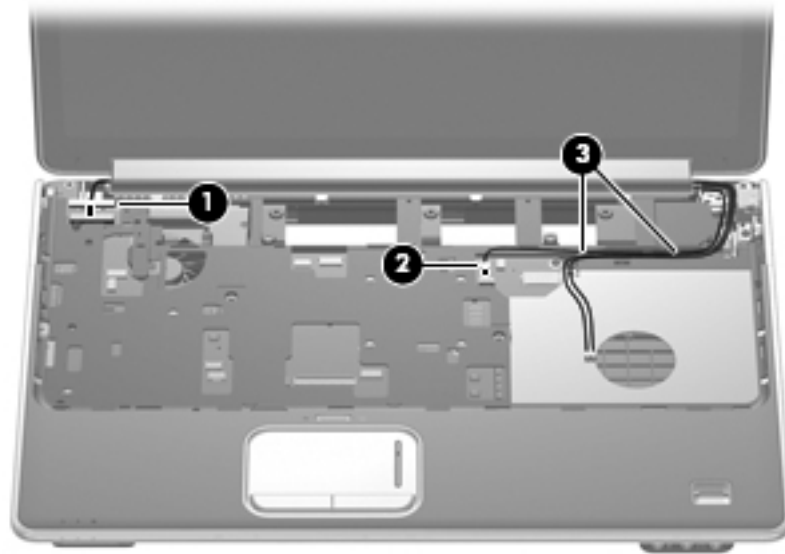
Description	Spare part number
16.0-inch, WXGA, AntiGlare, FHD, dual-lamp	497936-001
16.0-inch, WXGA, AntiGlare, HD, dual-lamp	496468-001
16.0-inch, WXGA, AntiGlare, HD, single-lamp	497937-001

Before removing the display assembly, follow these steps:

1. Shut down the computer. If you are unsure whether the computer is off or in Hibernation, turn the computer on, and then shut it down through the operating system.
2. Disconnect all external devices connected to the computer.
3. Disconnect the power from the computer by first unplugging the power cord from the AC outlet and then unplugging the AC adapter from the computer.
4. Remove the battery (see [“Battery” on page 4-8](#)).
5. Remove the following components:
 - a. Switch cover (see [“Switch cover” on page 4-18](#))
 - b. Keyboard cover (see [“Keyboard cover” on page 4-20](#))
 - c. Keyboard (see [“Keyboard” on page 4-24](#))
 - d. Speaker assembly (see [“Speaker assembly” on page 4-30](#))

Remove the display assembly:

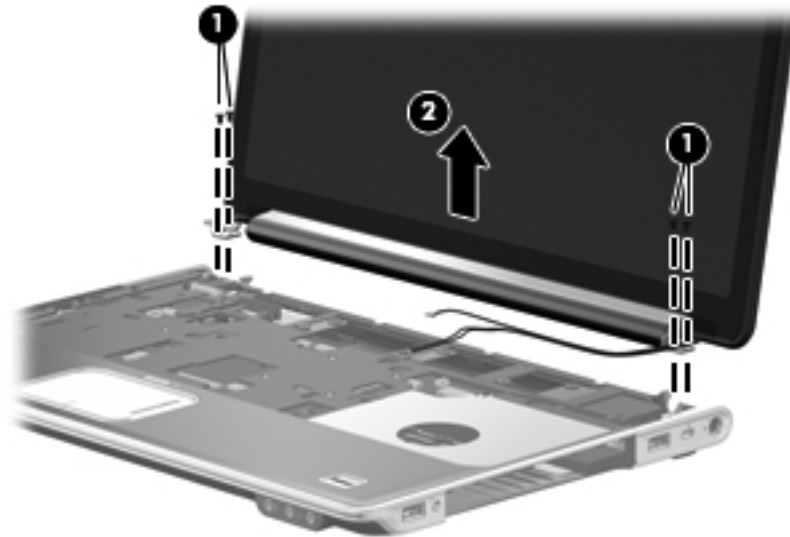
1. Open the computer as far as possible.
2. Disconnect the display panel cable ❶ from the system board.
3. Disconnect the webcam/microphone module cable ❷ from the system board.
4. Remove the WLAN antenna cables ❸ from the opening in the routing channel built into the top cover.



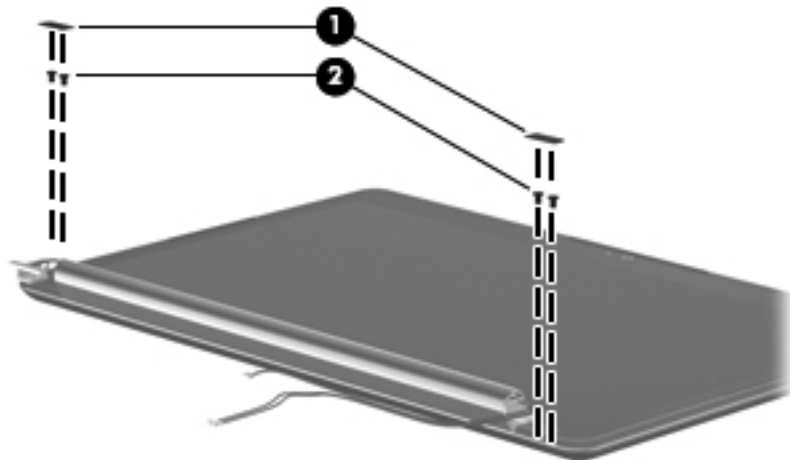


CAUTION: Support the display assembly when removing the following screws. Failure to support the display assembly can result in damage to the display assembly and other computer components.

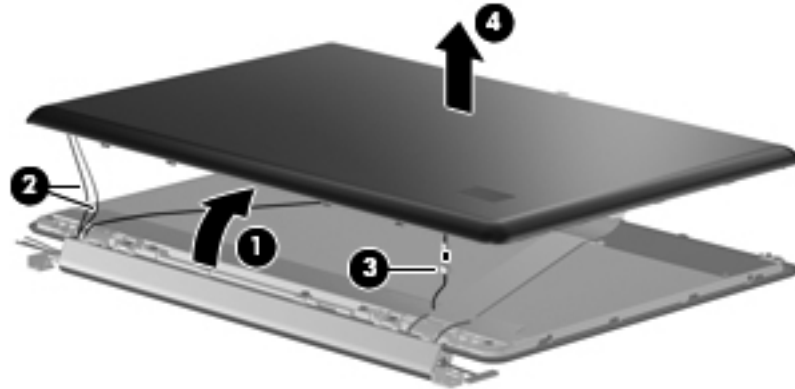
5. Remove the four Phillips PM2.5×7.0 screws ❶ that secure the display assembly to the computer.
6. Lift the display assembly ❷ straight up and remove it.



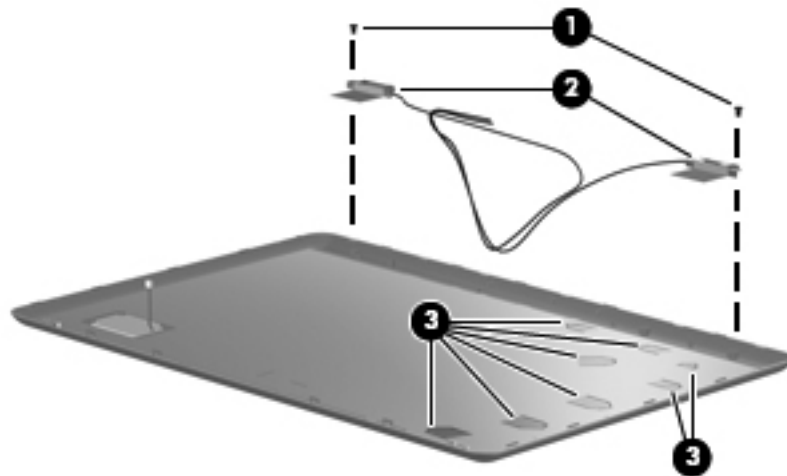
7. If it is necessary to replace the display enclosure or any of the display assembly internal components, remove the rubber screw covers ❶ and the four Phillips PM2.5×7.0 screws ❷ on the display bezel lower edge.



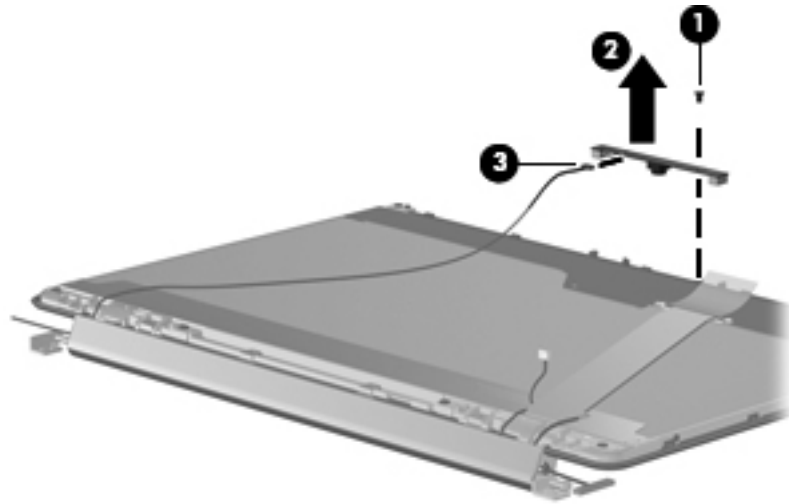
8. Turn the display assembly upside down, with the bottom edge toward you.
9. Release the display enclosure bottom edge ❶ as far as the wireless antenna cables and display logo LED cable allow.
10. Remove the wireless antenna cables ❷ from the slot built into the display hinge cover.
11. Disconnect the display logo LED cable ❸ from the display logo LED board.
12. Remove the display enclosure ❹. The display enclosure is available using spare part number 496462-001.



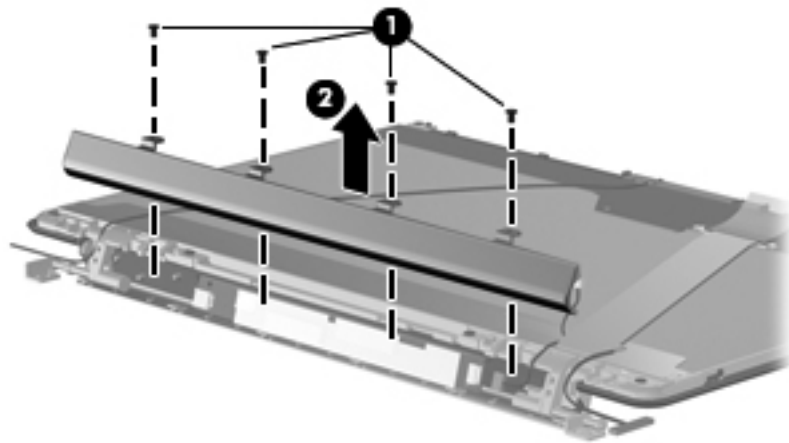
13. If it is necessary to replace the wireless antenna transceivers and cables, remove the Phillips PM2.0×4.0 screw ❶ that secures each transceiver to the display enclosure.
14. Detach the transceivers ❷ from the display enclosure.
15. Release the retention tabs ❸ built into the display enclosure and remove the wireless antenna cables from the tabs. The wireless antenna transceivers and cables are included in the Display Cable Kits, spare part numbers 496465-001 (for use only with dual-lamp display assemblies) and 514289-001 (for use only with single-lamp display assemblies).



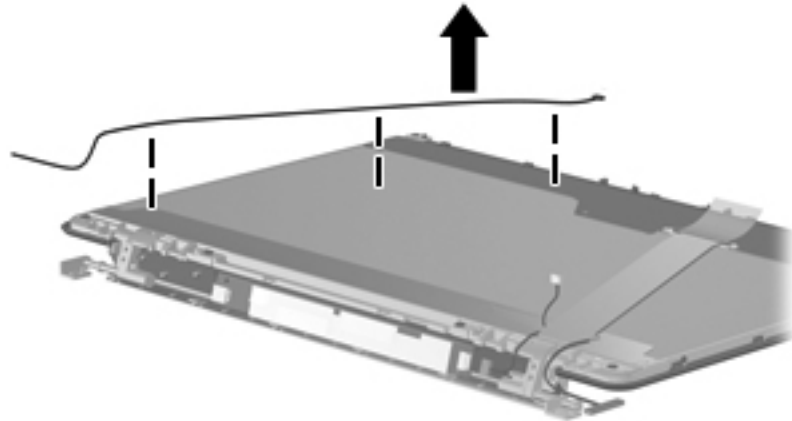
16. If it is necessary to replace the webcam/microphone module, remove the Phillips PM2.0×4.0 screw ❶ that secures the module to the display bezel.
17. Release the webcam/microphone module ❷ as far from the display bezel as the webcam/microphone module cable allows.
18. Disconnect the webcam/microphone module cable ❸ from the webcam/microphone module, and remove the webcam/microphone module. The webcam/microphone module is available using spare part number 496674-001.



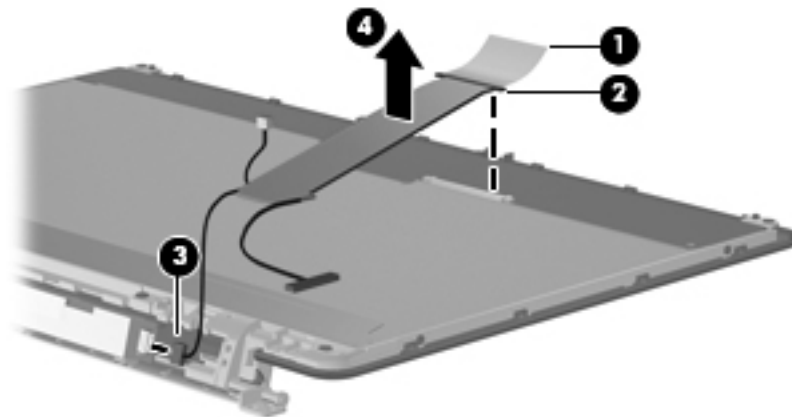
19. If it is necessary to replace the display hinge cover, display inverter, display panel cable, or webcam/microphone module cable, remove the four Phillips PM2.0×4.0 screws ❶ that secure the display hinge cover to the display bezel.
20. Remove the display hinge cover ❷ from the display bezel. The display hinge cover is available using spare part number 496464-001.



21. If it is necessary to replace the webcam/microphone module cable, remove the cable from the display panel. The webcam/microphone module cable is included in the Display Cable Kits, spare part numbers 496465-001 (for use only with dual-lamp display assemblies) and 514289-001 (for use only with single-lamp display assemblies).



22. If it is necessary to replace the display panel cable, detach the adhesive reinforcement strip ❶ that secures the display panel cable to the display panel.
23. Disconnect the display panel cable ❷ from the display panel.
24. Disconnect the display panel cable from the display inverter ❸.
25. Remove the display panel cable ❹. The display panel cable is included in the Display Cable Kits, spare part numbers 496465-001 (for use only with dual-lamp display assemblies) and 514289-001 (for use only with single-lamp display assemblies).



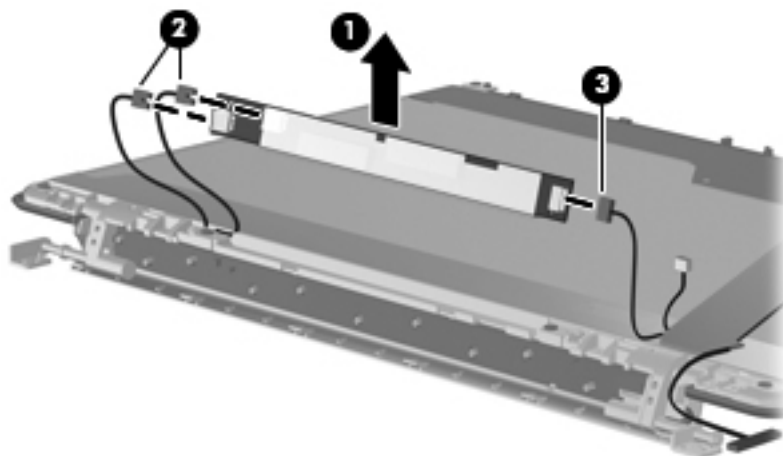
26. If it is necessary to replace the display inverter, release the display inverter ❶ as far from the display bezel as the backlight cables and display panel cable allow.



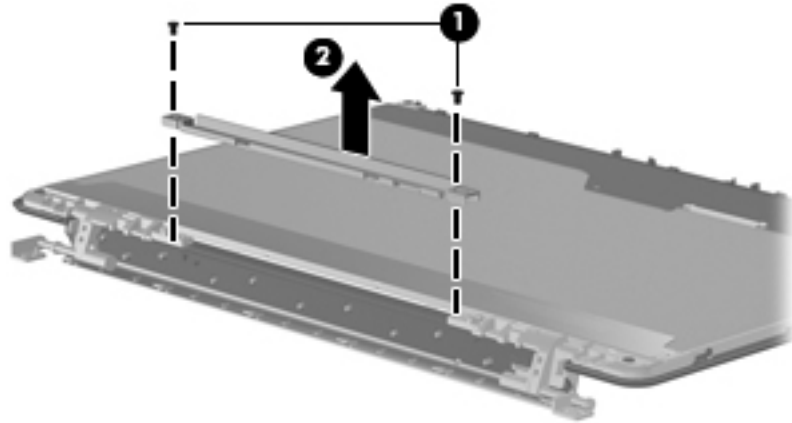
Dual-lamp display assemblies will have two cables that must be disconnected in step 27. Single-lamp display assemblies will only have one cable that must be disconnected.

27. Disconnect the backlight cables ❷ and the display panel cable ❸ from the display inverter, and remove the display inverter. The display inverter is available using the following spare part numbers:

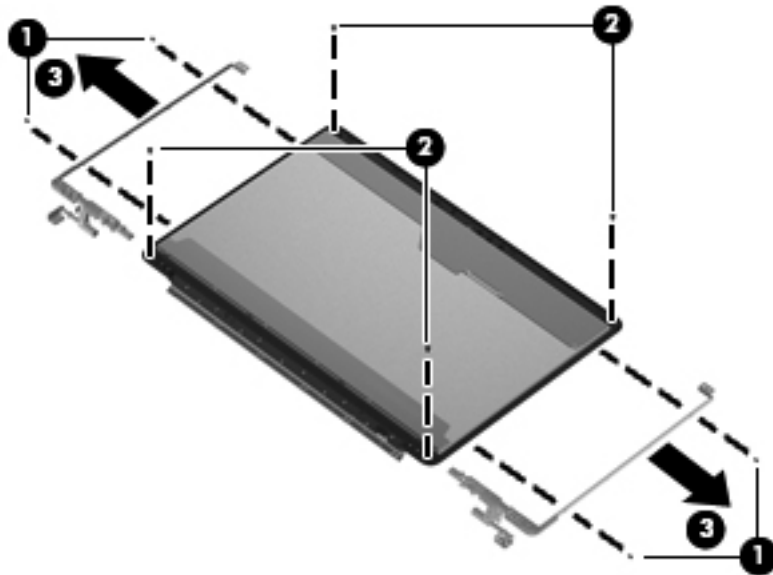
- ❑ 496467-001—for use only with dual-lamp display assemblies
- ❑ 499317-001—for use only with single-lamp display assemblies



28. If it is necessary to replace the display hinges, remove the two Phillips PM2.0×4.0 screws ❶ that secure the display hinge bracket to the display bezel.
29. Remove the display hinge bracket ❷.



30. Remove the four Phillips PM2.0×4.0 screws ❶ that secure the display hinges to the display panel.
31. Remove the four Phillips PM2.5×7.0 screws ❷ that secure the display hinges to the display panel.
32. Remove the display hinges ❸. The display hinges and display hinge bracket are included in the Display Hinge Kit, spare part number 496463-001.



Reverse this procedure to reassemble and install the display assembly.

Top cover

Description	Spare part number
Top cover (includes fingerprint reader board, fingerprint reader board cable, TouchPad, and TouchPad cables)	496470-001

Before removing the top cover, follow these steps:

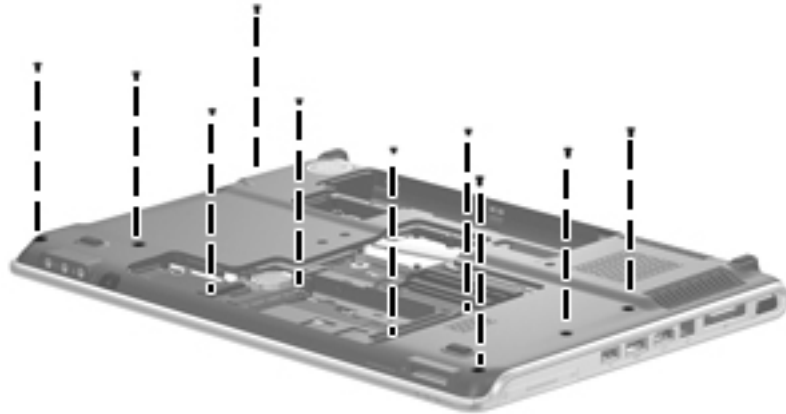
1. Shut down the computer. If you are unsure whether the computer is off or in Hibernation, turn the computer on, and then shut it down through the operating system.
2. Disconnect all external devices connected to the computer.
3. Disconnect the power from the computer by first unplugging the power cord from the AC outlet and then unplugging the AC adapter from the computer.
4. Remove the battery (see [“Battery” on page 4-8](#)).
5. Remove the following components:
 - a. Optical drive (see [“Optical drive” on page 4-9](#))
 - b. Hard drive (see [“Hard drive” on page 4-11](#))
 - c. TV tuner module (see [“TV tuner module” on page 4-13](#))
 - d. Memory module (see [“Memory module” on page 4-15](#))
 - e. WLAN module (see [“WLAN module” on page 4-16](#))
 - f. Switch cover (see [“Switch cover” on page 4-18](#))
 - g. Keyboard cover (see [“Keyboard cover” on page 4-20](#))
 - h. Keyboard (see [“Keyboard” on page 4-24](#))
 - i. Speaker assembly (see [“Speaker assembly” on page 4-30](#))
 - j. Display assembly (see [“Display assembly” on page 4-31](#))

When replacing the top cover, be sure that the following components are removed from the defective top cover and installed on the replacement top cover:

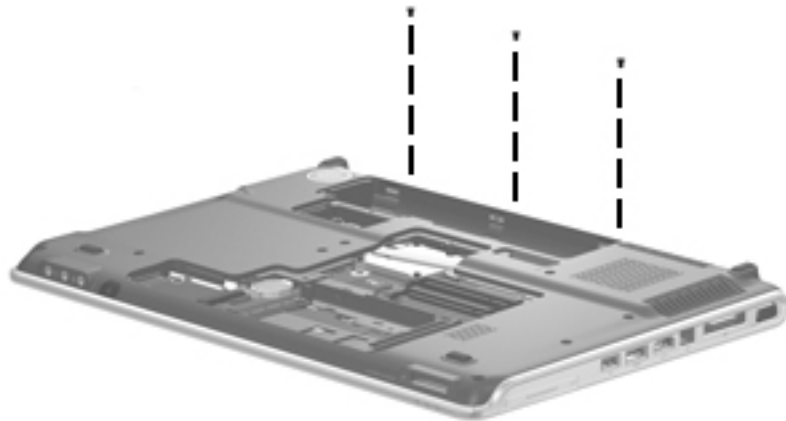
- Power button board (see [“Power button board” on page 4-22](#))
- Bluetooth module (see [“Bluetooth module” on page 4-23](#))
- Bluetooth module cable (see [“Bluetooth module cable” on page 4-28](#))

Remove the top cover:

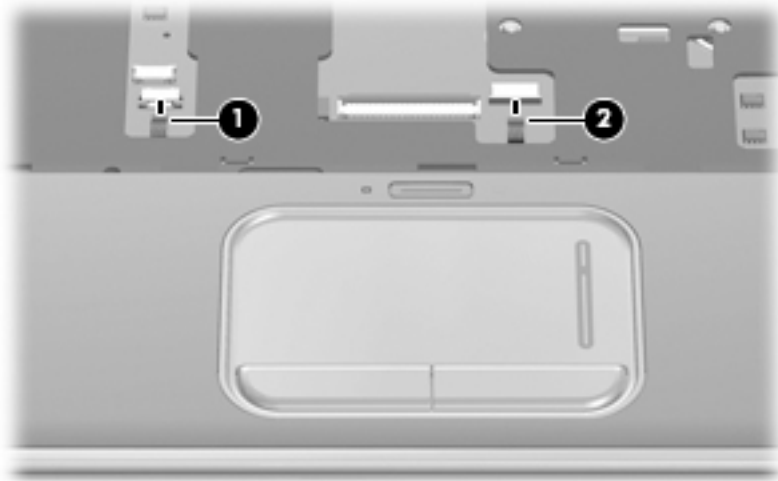
1. Turn the computer upside down, with the front toward you.
2. Remove the 10 Phillips PM2.5×7.0 screws that secure the top cover to the base enclosure.



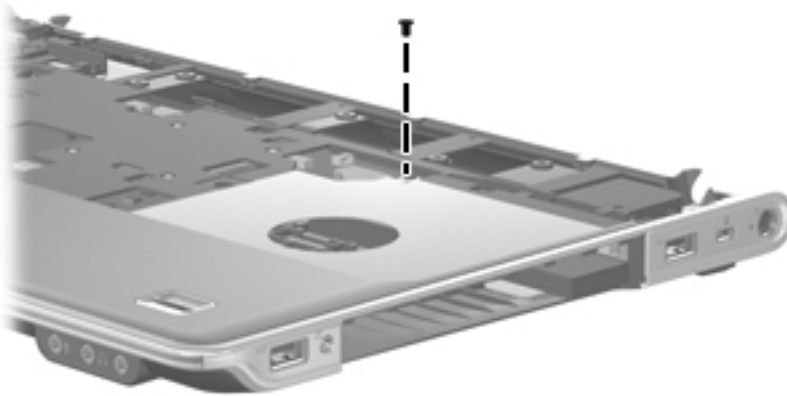
3. Remove the three Phillips PM2.0×4.0 screws that secure the top cover to the base enclosure.



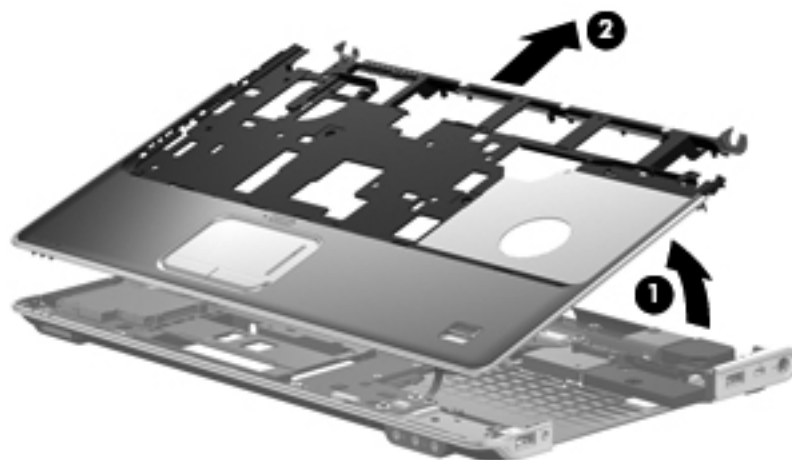
4. Turn the computer right-side up, with the front toward you.
5. Disconnect the following cables from the system board:
 - ❶ TouchPad board cable
 - ❷ TouchPad on/off button board cable



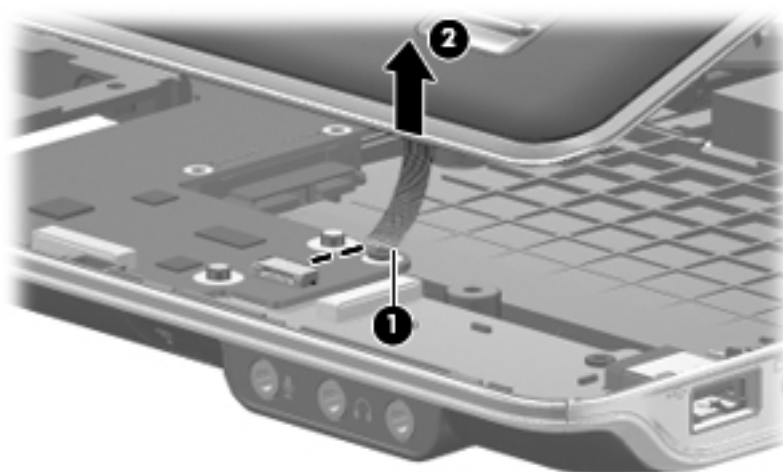
6. Remove the Phillips PM2.0×4.0 screw that secures the top cover to the base enclosure.



7. Lift the rear edge ❶ of the top cover until it rests at an angle.
8. Slide the top cover ❷ back until the fingerprint reader board cable is accessible.



9. Disconnect the fingerprint reader board cable ❶ from the LIF connector on the system board.
10. Remove the top cover ❷.



Reverse this procedure to install the top cover.

TouchPad on/off button board

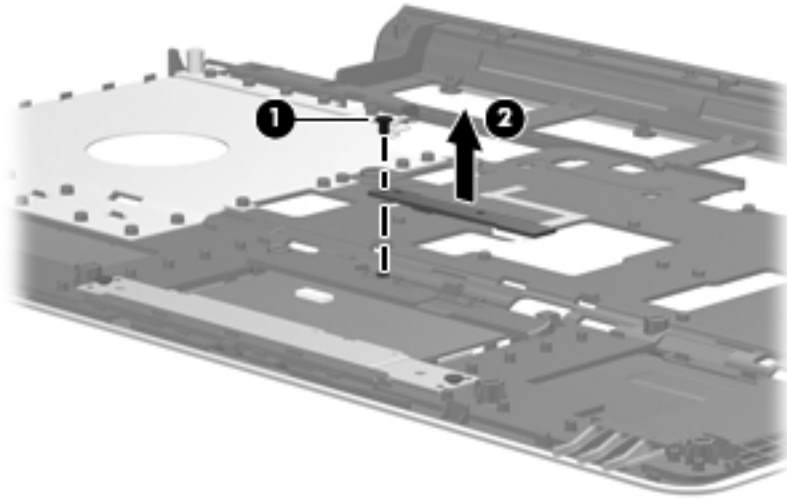
Description	Spare part number
TouchPad on/off button board (includes cable)	496473-001

Before removing the TouchPad on/off button board, follow these steps:

1. Shut down the computer. If you are unsure whether the computer is off or in Hibernation, turn the computer on, and then shut it down through the operating system.
2. Disconnect all external devices connected to the computer.
3. Disconnect the power from the computer by first unplugging the power cord from the AC outlet and then unplugging the AC adapter from the computer.
4. Remove the battery (see [“Battery” on page 4-8](#)).
5. Remove the following components:
 - a. Optical drive (see [“Optical drive” on page 4-9](#))
 - b. Hard drive (see [“Hard drive” on page 4-11](#))
 - c. TV tuner module (see [“TV tuner module” on page 4-13](#))
 - d. Memory module (see [“Memory module” on page 4-15](#))
 - e. WLAN module (see [“WLAN module” on page 4-16](#))
 - f. Switch cover (see [“Switch cover” on page 4-18](#))
 - g. Keyboard cover (see [“Keyboard cover” on page 4-20](#))
 - h. Keyboard (see [“Keyboard” on page 4-24](#))
 - i. Speaker assembly (see [“Speaker assembly” on page 4-30](#))
 - j. Display assembly (see [“Display assembly” on page 4-31](#))
 - k. Top cover (see [“Top cover” on page 4-39](#))

Remove the TouchPad on/off button board:

1. Turn the top cover upside down, with the front toward you.
2. Remove the Phillips PM2.0×4.0 screw ❶ that secures the TouchPad on/off button board to the top cover.
3. Remove the TouchPad on/off button board ❷ and cable.



Reverse this procedure to install the TouchPad on/off button board.

System board

Description	Spare part number
System board (includes 512 MB of graphics subsystem memory and replacement thermal material)	496460-001

Before removing the system board, follow these steps:

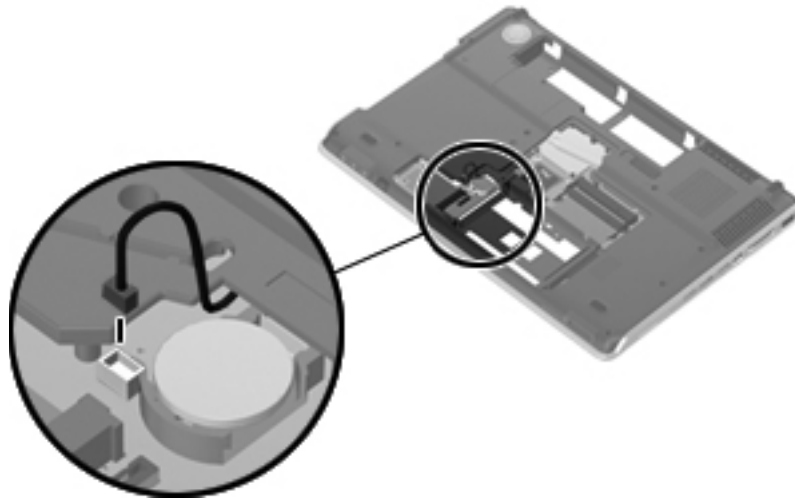
1. Shut down the computer. If you are unsure whether the computer is off or in Hibernation, turn the computer on, and then shut it down through the operating system.
2. Disconnect all external devices connected to the computer.
3. Disconnect the power from the computer by first unplugging the power cord from the AC outlet and then unplugging the AC adapter from the computer.
4. Remove the battery (see [“Battery” on page 4-8](#)).
5. Remove the following components:
 - a. Optical drive (see [“Optical drive” on page 4-9](#))
 - b. Hard drive (see [“Hard drive” on page 4-11](#))
 - c. TV tuner module (see [“TV tuner module” on page 4-13](#))
 - d. Memory module (see [“Memory module” on page 4-15](#))
 - e. WLAN module (see [“WLAN module” on page 4-16](#))
 - f. Switch cover (see [“Switch cover” on page 4-18](#))
 - g. Keyboard cover (see [“Keyboard cover” on page 4-20](#))
 - h. Keyboard (see [“Keyboard” on page 4-24](#))
 - i. Speaker assembly (see [“Speaker assembly” on page 4-30](#))
 - j. Display assembly (see [“Display assembly” on page 4-31](#))
 - k. Top cover (see [“Top cover” on page 4-39](#))

When replacing the system board, be sure that the following components are removed from the defective system board and installed on the replacement system board:

- RTC battery (see [“RTC battery” on page 4-14](#))
- Fan/heat sink assembly (see [“Fan/heat sink assembly” on page 4-58](#))
- Processor (see [“Processor” on page 4-61](#))

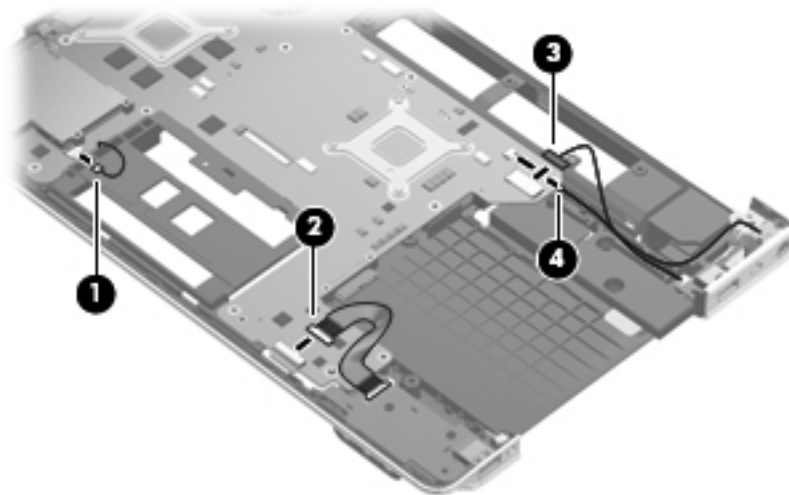
Remove the system board:

1. Turn the computer upside down, with the front toward you.
2. Disconnect the subwoofer cable from the system board.

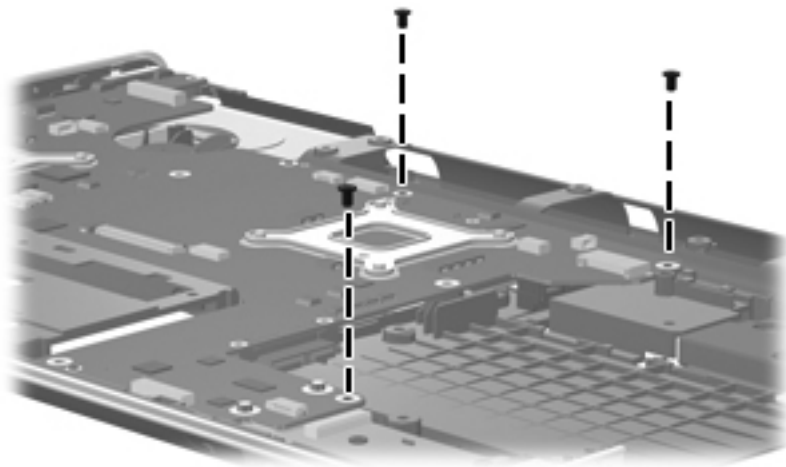


3. Turn the computer right-side up, with the front toward you.
4. Disconnect the following cables from the system board:

- ① Fan cable
- ② Audio/infrared board cable
- ③ Power connector cable
- ④ USB board cable

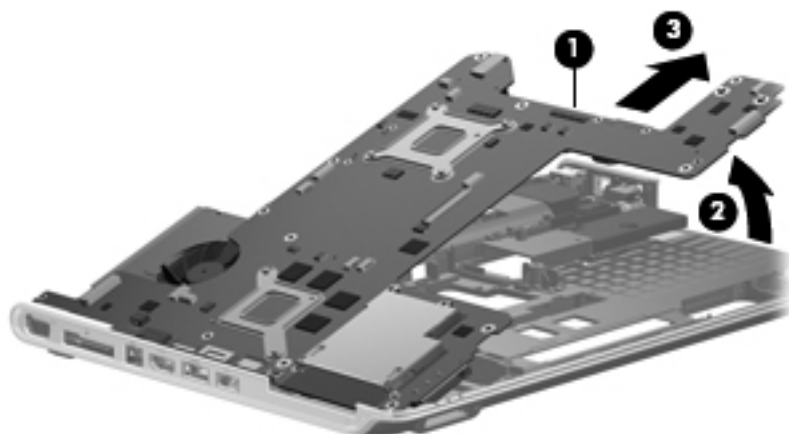


5. Remove the three Phillips PM2.0x4.0 screws that secure the system board to the base enclosure.




6. Use the optical drive connector ❶ to lift the right side ❷ of the system board until it rests at an angle.

7. Remove the system board ❸ by sliding it up and to the right.



Reverse this procedure to install the system board.

Fan

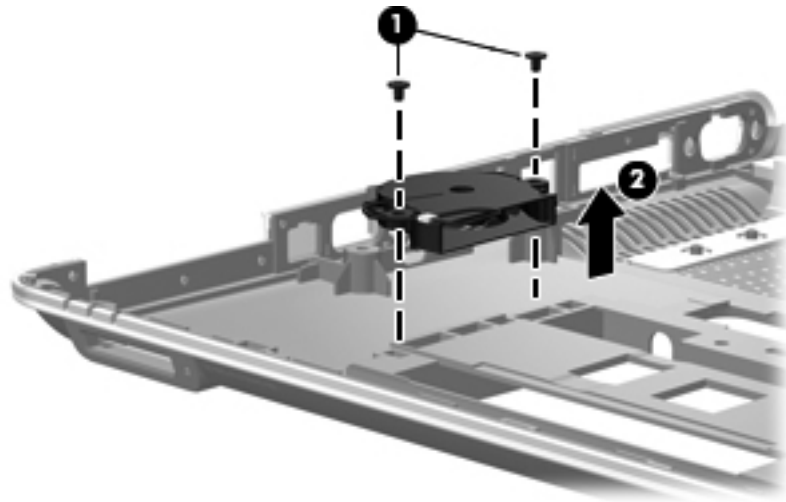
Description	Spare part number
Fan	514290-001
 The fan is also available with the base enclosure spare part kit, spare part 496469-001.	

Before removing the fan, follow these steps:

1. Shut down the computer. If you are unsure whether the computer is off or in Hibernation, turn the computer on, and then shut it down through the operating system.
2. Disconnect all external devices connected to the computer.
3. Disconnect the power from the computer by first unplugging the power cord from the AC outlet and then unplugging the AC adapter from the computer.
4. Remove the battery (see [“Battery” on page 4-8](#)).
5. Remove the following components:
 - a. Optical drive (see [“Optical drive” on page 4-9](#))
 - b. Hard drive (see [“Hard drive” on page 4-11](#))
 - c. TV tuner module (see [“TV tuner module” on page 4-13](#))
 - d. Memory module (see [“Memory module” on page 4-15](#))
 - e. WLAN module (see [“WLAN module” on page 4-16](#))
 - f. Switch cover (see [“Switch cover” on page 4-18](#))
 - g. Keyboard cover (see [“Keyboard cover” on page 4-20](#))
 - h. Keyboard (see [“Keyboard” on page 4-24](#))
 - i. Speaker assembly (see [“Speaker assembly” on page 4-30](#))
 - j. Display assembly (see [“Display assembly” on page 4-31](#))
 - k. Top cover (see [“Top cover” on page 4-39](#))
 - l. System board (see [“System board” on page 4-45](#))

Remove the fan:

1. Remove the two Phillips PM2.0×4.0 screws ❶ that secure the fan to the base enclosure.
2. Remove the fan ❷ by lifting it straight up.



Reverse this procedure to install the fan.

Audio/infrared board

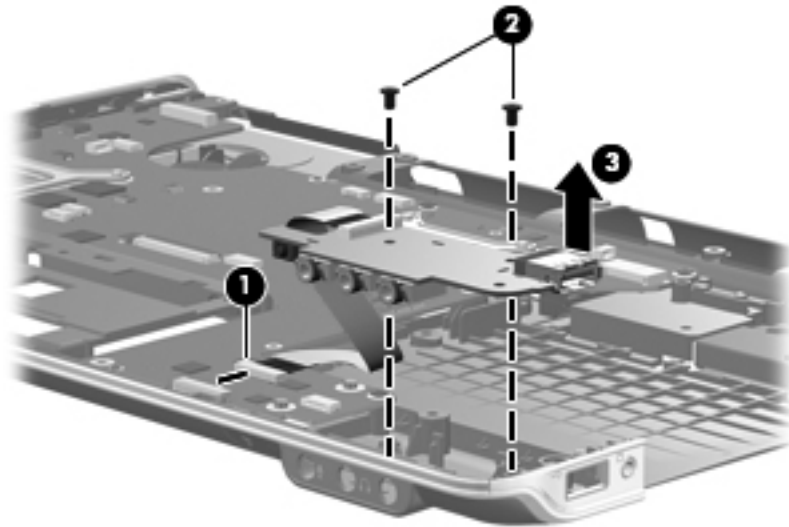
Description	Spare part number
Audio/infrared board (includes cable)	496483-001

Before removing the audio/infrared board, follow these steps:

1. Shut down the computer. If you are unsure whether the computer is off or in Hibernation, turn the computer on, and then shut it down through the operating system.
2. Disconnect all external devices connected to the computer.
3. Disconnect the power from the computer by first unplugging the power cord from the AC outlet and then unplugging the AC adapter from the computer.
4. Remove the battery (see [“Battery” on page 4-8](#)).
5. Remove the following components:
 - a. Optical drive (see [“Optical drive” on page 4-9](#))
 - b. Hard drive (see [“Hard drive” on page 4-11](#))
 - c. TV tuner module (see [“TV tuner module” on page 4-13](#))
 - d. Memory module (see [“Memory module” on page 4-15](#))
 - e. WLAN module (see [“WLAN module” on page 4-16](#))
 - f. Switch cover (see [“Switch cover” on page 4-18](#))
 - g. Keyboard cover (see [“Keyboard cover” on page 4-20](#))
 - h. Keyboard (see [“Keyboard” on page 4-24](#))
 - i. Speaker assembly (see [“Speaker assembly” on page 4-30](#))
 - j. Display assembly (see [“Display assembly” on page 4-31](#))
 - k. Top cover (see [“Top cover” on page 4-39](#))

Remove the audio/infrared board:

1. Disconnect the audio/infrared board cable ❶ from the system board.
2. Remove the two Phillips PM2.0×4.0 screws ❷ that secure the audio/infrared board to the base enclosure.
3. Remove the audio/infrared board ❸ by lifting it straight up.



Reverse this procedure to install the audio/infrared board.

TV tuner module cable



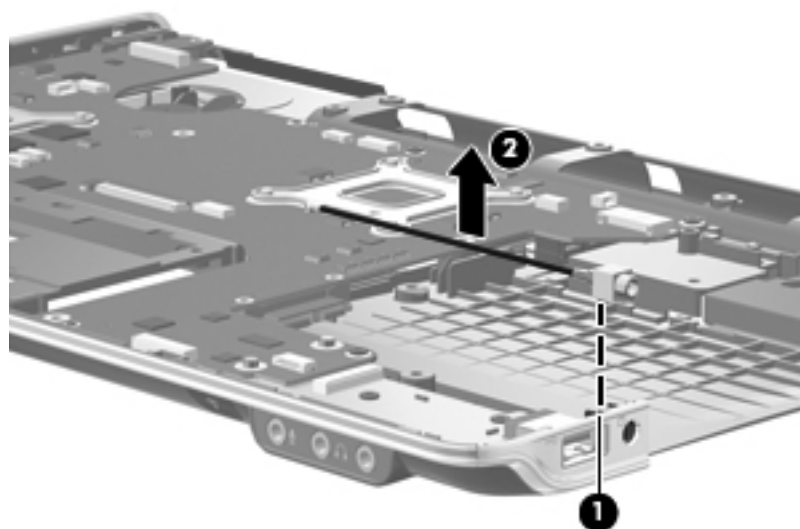
The TV tuner module cable is included in the Cable Kit, spare part number 496481-001.

Before removing the TV tuner module cable, follow these steps:

1. Shut down the computer. If you are unsure whether the computer is off or in Hibernation, turn the computer on, and then shut it down through the operating system.
2. Disconnect all external devices connected to the computer.
3. Disconnect the power from the computer by first unplugging the power cord from the AC outlet and then unplugging the AC adapter from the computer.
4. Remove the battery (see [“Battery” on page 4-8](#)).
5. Remove the following components:
 - a. Optical drive (see [“Optical drive” on page 4-9](#))
 - b. Hard drive (see [“Hard drive” on page 4-11](#))
 - c. TV tuner module (see [“TV tuner module” on page 4-13](#))
 - d. Memory module (see [“Memory module” on page 4-15](#))
 - e. WLAN module (see [“WLAN module” on page 4-16](#))
 - f. Switch cover (see [“Switch cover” on page 4-18](#))
 - g. Keyboard cover (see [“Keyboard cover” on page 4-20](#))
 - h. Keyboard (see [“Keyboard” on page 4-24](#))
 - i. Speaker assembly (see [“Speaker assembly” on page 4-30](#))
 - j. Display assembly (see [“Display assembly” on page 4-31](#))
 - k. Top cover (see [“Top cover” on page 4-39](#))
 - l. Audio/infrared board (see [“Audio/infrared board” on page 4-50](#))

Remove the TV tuner module cable:

1. Remove the TV tuner module cable connector ❶ from the clip in the base enclosure.
2. Remove the TV tuner module cable ❷.



Reverse this procedure to install the TV tuner module cable.

USB board

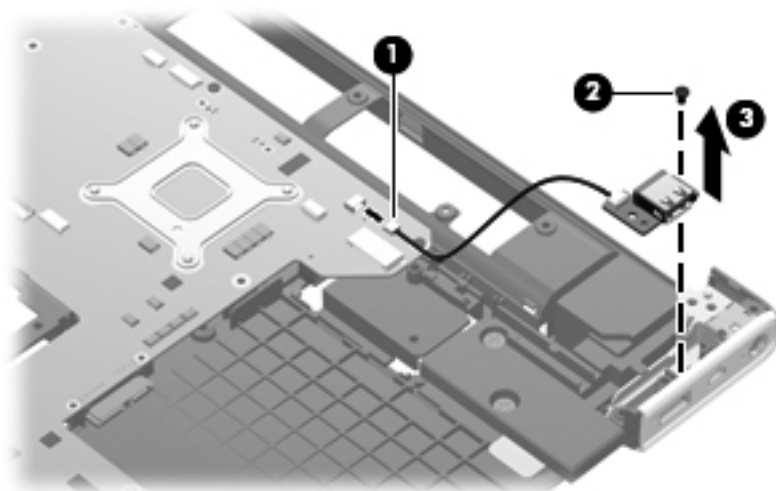
Description	Spare part number
USB board (includes cable)	496489-001

Before removing the USB board, follow these steps:

1. Shut down the computer. If you are unsure whether the computer is off or in Hibernation, turn the computer on, and then shut it down through the operating system.
2. Disconnect all external devices connected to the computer.
3. Disconnect the power from the computer by first unplugging the power cord from the AC outlet and then unplugging the AC adapter from the computer.
4. Remove the battery (see [“Battery”](#) on page 4-8).
5. Remove the following components:
 - a. Optical drive (see [“Optical drive”](#) on page 4-9)
 - b. Hard drive (see [“Hard drive”](#) on page 4-11)
 - c. TV tuner module (see [“TV tuner module”](#) on page 4-13)
 - d. Memory module (see [“Memory module”](#) on page 4-15)
 - e. WLAN module (see [“WLAN module”](#) on page 4-16)
 - f. Switch cover (see [“Switch cover”](#) on page 4-18)
 - g. Keyboard cover (see [“Keyboard cover”](#) on page 4-20)
 - h. Keyboard (see [“Keyboard”](#) on page 4-24)
 - i. Speaker assembly (see [“Speaker assembly”](#) on page 4-30)
 - j. Display assembly (see [“Display assembly”](#) on page 4-31)
 - k. Top cover (see [“Top cover”](#) on page 4-39)

Remove the USB board:

1. Disconnect the USB board cable ❶ from the system board.
2. Remove the Phillips PM2.0×4.0 screw ❷ that secures the USB board to the base enclosure.
3. Remove the USB board and cable ❸ by lifting them straight up.



Reverse this procedure to install the USB board.

Power connector cable



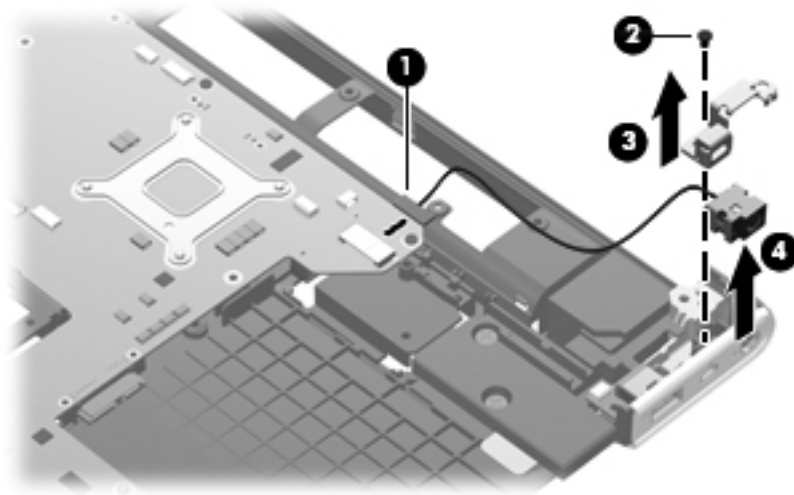
The power connector cable is included in the base enclosure spare part kit, spare part number 496469-001.

Before removing the power connector cable, follow these steps:

1. Shut down the computer. If you are unsure whether the computer is off or in Hibernation, turn the computer on, and then shut it down through the operating system.
2. Disconnect all external devices connected to the computer.
3. Disconnect the power from the computer by first unplugging the power cord from the AC outlet and then unplugging the AC adapter from the computer.
4. Remove the battery (see [“Battery” on page 4-8](#)).
5. Remove the following components:
 - a. Optical drive (see [“Optical drive” on page 4-9](#))
 - b. Hard drive (see [“Hard drive” on page 4-11](#))
 - c. TV tuner module (see [“TV tuner module” on page 4-13](#))
 - d. Memory module (see [“Memory module” on page 4-15](#))
 - e. WLAN module (see [“WLAN module” on page 4-16](#))
 - f. Switch cover (see [“Switch cover” on page 4-18](#))
 - g. Keyboard cover (see [“Keyboard cover” on page 4-20](#))
 - h. Keyboard (see [“Keyboard” on page 4-24](#))
 - i. Speaker assembly (see [“Speaker assembly” on page 4-30](#))
 - j. Display assembly (see [“Display assembly” on page 4-31](#))
 - k. Top cover (see [“Top cover” on page 4-39](#))

Remove the power connector cable:

1. Disconnect the power connector cable ❶ from the system board.
2. Remove the Phillips PM2.5×7.0 screw ❷ that secures the power connector and bracket to the base enclosure.
3. Remove the power connector bracket ❸.
4. Remove the power connector cable from the clips and routing channel built into the subwoofer.
5. Remove the power connector and cable ❹.



Reverse this procedure to install the power connector cable.

Subwoofer




The subwoofer is included in the base enclosure spare part kit, spare part number 496469-001.

Before removing the subwoofer, follow these steps:

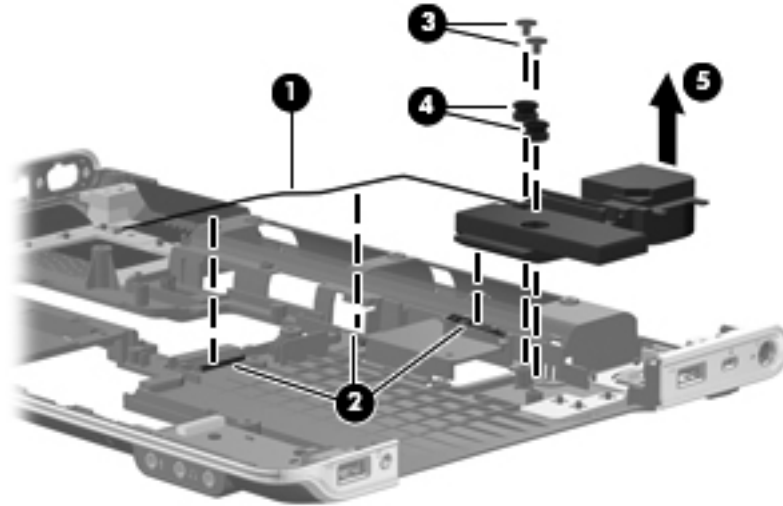
1. Shut down the computer. If you are unsure whether the computer is off or in Hibernation, turn the computer on, and then shut it down through the operating system.
2. Disconnect all external devices connected to the computer.
3. Disconnect the power from the computer by first unplugging the power cord from the AC outlet and then unplugging the AC adapter from the computer.
4. Remove the battery (see [“Battery” on page 4-8](#)).
5. Remove the following components:
 - a. Optical drive (see [“Optical drive” on page 4-9](#))
 - b. Hard drive (see [“Hard drive” on page 4-11](#))
 - c. TV tuner module (see [“TV tuner module” on page 4-13](#))
 - d. Memory module (see [“Memory module” on page 4-15](#))
 - e. WLAN module (see [“WLAN module” on page 4-16](#))
 - f. Switch cover (see [“Switch cover” on page 4-18](#))
 - g. Keyboard cover (see [“Keyboard cover” on page 4-20](#))
 - h. Keyboard (see [“Keyboard” on page 4-24](#))
 - i. Speaker assembly (see [“Speaker assembly” on page 4-30](#))
 - j. Display assembly (see [“Display assembly” on page 4-31](#))
 - k. Top cover (see [“Top cover” on page 4-39](#))
 - l. System board (see [“System board” on page 4-45](#))
 - m. USB board (see [“USB board” on page 4-53](#))

Remove the subwoofer:

1. Remove the subwoofer cable **1** from the clips **2** and routing channel built into the base enclosure.
2. Remove the two Phillips PM2.5×5.0 broadhead screws **3** that secure the subwoofer to the base enclosure.

 The rubber grommets **4** should be inspected and replaced in the correct locations on the subwoofer. These grommets are critical for satisfactory subwoofer performance.

3. Remove the subwoofer **5** by lifting it straight up.



Reverse this procedure to install the subwoofer.

Fan/heat sink assembly

Description	Spare part number
Fan/heat sink assembly (includes replacement thermal material)	496488-001



To properly ventilate the computer, allow at least a 7.6-cm (3-inch) clearance on the left side of the computer. The computer uses an electric fan for ventilation. The fan is controlled by a temperature sensor and is designed to turn on automatically when high temperature conditions exist. These conditions are affected by high external temperatures, system power consumption, power management/battery conservation configurations, battery fast charging, and software requirements. Exhaust air is displaced through the ventilation grill located on the left side of the computer.

Before removing the fan/heat sink assembly, follow these steps:

1. Shut down the computer. If you are unsure whether the computer is off or in Hibernation, turn the computer on, and then shut it down through the operating system.
2. Disconnect all external devices connected to the computer.
3. Disconnect the power from the computer by first unplugging the power cord from the AC outlet and then unplugging the AC adapter from the computer.
4. Remove the battery (see [“Battery” on page 4-8](#)).
5. Remove the following components:
 - a. Optical drive (see [“Optical drive” on page 4-9](#))
 - b. Hard drive (see [“Hard drive” on page 4-11](#))
 - c. TV tuner module (see [“TV tuner module” on page 4-13](#))
 - d. Memory module (see [“Memory module” on page 4-15](#))
 - e. WLAN module (see [“WLAN module” on page 4-16](#))
 - f. Switch cover (see [“Switch cover” on page 4-18](#))
 - g. Keyboard cover (see [“Keyboard cover” on page 4-20](#))
 - h. Keyboard (see [“Keyboard” on page 4-24](#))
 - i. Speaker assembly (see [“Speaker assembly” on page 4-30](#))
 - j. Display assembly (see [“Display assembly” on page 4-31](#))
 - k. Top cover (see [“Top cover” on page 4-39](#))
 - l. System board (see [“System board” on page 4-45](#))

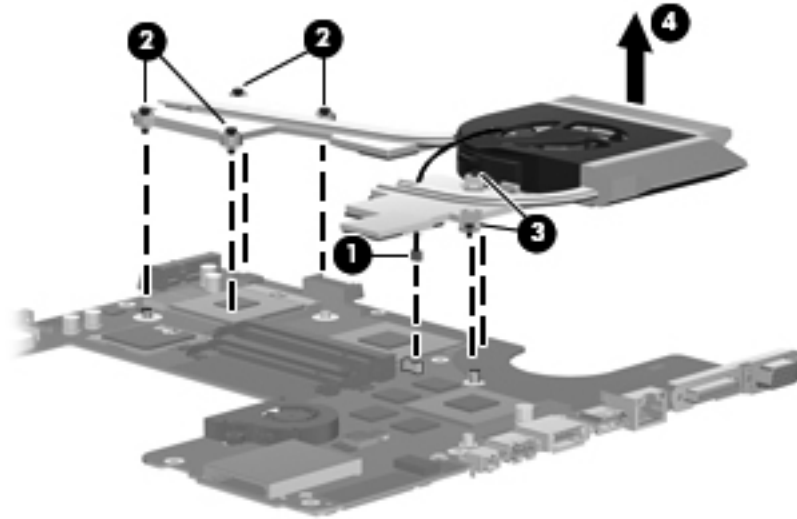
Remove the fan/heat sink assembly:

1. Disconnect the fan cable ❶ from the system board.
2. Loosen the four Phillips PM2.5×11.0 captive screws ❷ and the two Phillips PM2.5×5.0 captive screws ❸ that secure the fan/heat sink assembly to the system board.



Due to the adhesive quality of the thermal material located between the fan/heat sink assembly and system board components, it may be necessary to move the fan/heat sink assembly from side to side to detach the assembly.

3. Remove the fan/heat sink assembly ❹.

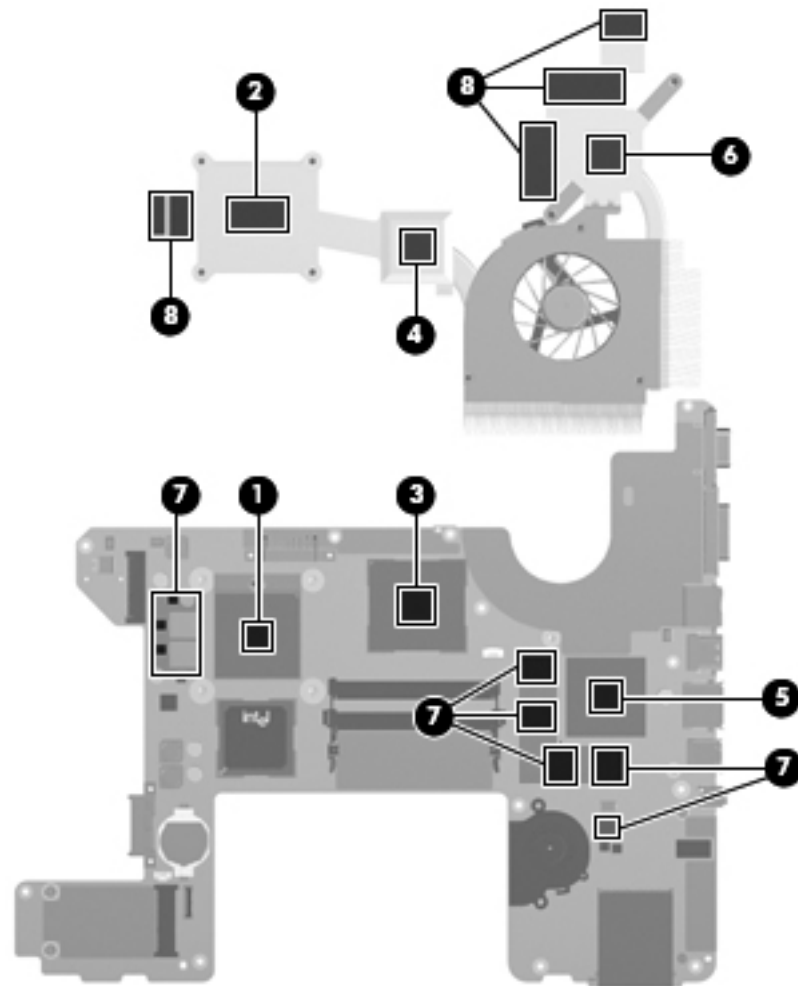




The thermal material must be thoroughly cleaned from the surfaces of the fan/heat sink assembly, the system board, and the processor each time the fan/heat sink assembly is removed:

- Thermal paste is used on the processor ① and the heat sink section ② that services it.
- Thermal pads are used on the Northbridge chip ③ and the heat sink section ④ that services it.
- Thermal pads are used on various other system board components ⑤ and ⑦, and the sections of the heat sink ⑥ and ⑧.

Replacement thermal material is included with all fan/heat sink assembly, system board, and processor spare part kits.



Reverse this procedure to install the fan/heat sink assembly.

Processor



The processor spare part kit includes replacement thermal material.

Description	Spare part number
Intel Core2 Duo T9800 2.93-GHz processor with 6-MB L2 cache and 1066-MHz FSB	507951-001
Intel Core2 Duo T9600 2.80-GHz processor with 6-MB L2 cache and 1066-MHz FSB	500604-001
Intel Core2 Duo T9550 2.66-GHz processor with 6-MB L2 cache and 1066-MHz FSB	507953-001
Intel Core2 Duo T9500 2.53-GHz processor with 6-MB L2 cache and 1066-MHz FSB	500603-001
Intel Core2 Duo T8700 2.53-GHz processor with 3-MB L2 cache and 1066-MHz FSB	507960-001
Intel Core2 Duo T8600 2.40-GHz processor with 3-MB L2 cache and 1066-MHz FSB	500601-001
Intel Core2 Duo T8400 2.26-GHz processor with 3-MB L2 cache and 1066-MHz FSB	500600-001
Intel Core2 Duo T6600 2.20-GHz processor with 3-MB L2 cache and 1066-MHz FSB	513591-001
Intel Core2 Duo T7550 2.13-GHz processor with 3-MB L2 cache and 1066-MHz FSB	500605-001
Intel Core2 Duo T6400 2.06-GHz processor with 3-MB L2 cache and 1066-MHz FSB	513593-001
Intel Core2 Duo T7350 2.00-GHz processor with 3-MB L2 cache and 1066-MHz FSB	503392-001

Before removing the processor, follow these steps:

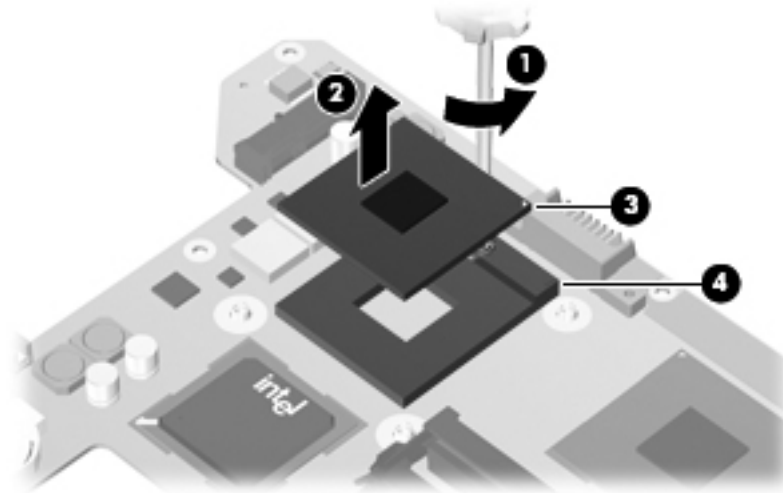
1. Shut down the computer. If you are unsure whether the computer is off or in Hibernation, turn the computer on, and then shut it down through the operating system.
2. Disconnect all external devices connected to the computer.
3. Disconnect the power from the computer by first unplugging the power cord from the AC outlet and then unplugging the AC adapter from the computer.
4. Remove the battery (see [“Battery” on page 4-8](#)).
5. Remove the following components:
 - a. Optical drive (see [“Optical drive” on page 4-9](#))
 - b. Hard drive (see [“Hard drive” on page 4-11](#))
 - c. TV tuner module (see [“TV tuner module” on page 4-13](#))
 - d. Memory module (see [“Memory module” on page 4-15](#))
 - e. WLAN module (see [“WLAN module” on page 4-16](#))
 - f. Switch cover (see [“Switch cover” on page 4-18](#))
 - g. Keyboard cover (see [“Keyboard cover” on page 4-20](#))
 - h. Keyboard (see [“Keyboard” on page 4-24](#))
 - i. Speaker assembly (see [“Speaker assembly” on page 4-30](#))
 - j. Display assembly (see [“Display assembly” on page 4-31](#))
 - k. Top cover (see [“Top cover” on page 4-39](#))
 - l. System board (see [“System board” on page 4-45](#))
 - m. Fan/heat sink assembly (see [“Fan/heat sink assembly” on page 4-58](#))

Remove the processor:

1. Turn the processor locking screw **1** one-half turn counterclockwise until you hear a click.
2. Lift the processor **2** straight up and remove it.



The gold triangle **3** on the processor must be aligned with the triangle icon **4** embossed on the processor socket when you install the processor.



Reverse this procedure to install the processor.

Setup Utility

The Setup Utility is a ROM-based information and customization utility that can be used even when your Windows operating system is not working.

The utility reports information about the computer and provides settings for startup, security, and other preferences.



The fingerprint reader (select models only) does not work when accessing the Setup Utility.

Starting the Setup Utility

To start the Setup Utility:

1. Turn on or restart the computer.
2. Before Windows opens and while “Press <F10> to enter setup” is displayed in the lower-left corner of the screen, press **f10**.

Changing the language of the Setup Utility

The following procedure explains how to change the language of the Setup Utility. If the Setup Utility is not already running, begin at step 1. If the Setup Utility is already running, begin at step 2.

1. To start the Setup Utility, turn on or restart the computer, and then press **f10** while “Press <F10> to enter setup” is displayed in the lower-left corner of the screen.
2. Use the arrow keys to select **System Configuration > Language**, and then press **enter**.
3. Press **f5** or **f6** (or use the arrow keys) to select a language, and then press **enter** to select a language.
4. When a confirmation prompt with your preference selected is displayed, press **enter** to save your preference.
5. To set your preferences and exit the Setup Utility, press **f10** and then follow the instructions on the screen.

Your preferences go into effect when the computer restarts in Windows.

Navigating and selecting in the Setup Utility

Because the Setup Utility is not Windows-based, it does not support the TouchPad. Navigation and selection are by keystroke.

- To choose a menu or a menu item, use the arrow keys.
- To choose an item in a drop-down list or to toggle a field, for example an Enable/Disable field, use either the arrow keys or **f5** or **f6**.
- To select an item, press **enter**.
- To close a text box or return to the menu display, press **esc**.
- To display additional navigation and selection information while the Setup Utility is open, press **f1**.

Displaying system information

The following procedure explains how to display system information in the Setup Utility. If the Setup Utility is not open, begin at step 1. If the Setup Utility is open, begin at step 2.

1. To start the Setup Utility, turn on or restart the computer, and then press **f10** while “Press <F10> to enter setup” is displayed in the lower-left corner of the screen.
2. Access the system information by using the **Main** menu.
3. To exit the Setup Utility without changing any settings, use the arrow keys to select **Exit > Exit Discarding Changes**, and then press **enter**. (The computer restarts in Windows.)

Restoring default settings in the Setup Utility

The following procedure explains how to restore the Setup Utility default settings. If the Setup Utility is not already running, begin at step 1. If the Setup Utility is already running, begin at step 2.

1. To start the Setup Utility, turn on or restart the computer, and then press **f10** while “Press <F10> to enter setup” is displayed in the lower-left corner of the screen.
2. Select **Exit > Load Setup Defaults**, and then press **enter**.
3. When the Setup Confirmation is displayed, press **enter** to save your preferences.
4. To set your preferences and exit the Setup Utility, press **f10**, and then follow the instructions on the screen.

The Setup Utility default settings are set when you exit the Setup Utility and go into effect when the computer restarts.



Your password, security, and language settings are not changed when you restore the factory default settings.

Using advanced Setup Utility features

This guide describes the Setup Utility features recommended for all users. For more information about the Setup Utility features recommended for advanced users only, refer to Help and Support, which is accessible only when the computer is in Windows.

The Setup Utility features available for advanced users include a hard drive self-test, a Network Service Boot, and settings for boot order preferences.

The “<F12> to boot from LAN” message that is displayed in the lower-left corner of the screen each time the computer is started or restarted in Windows is the prompt for a Network Service Boot.

The “Press <F9> to change boot order” message that is displayed in the lower-left corner of the screen each time the computer is started or restarted in Windows is the prompt to change the boot order.

Closing the Setup Utility

You can close the Setup Utility with or without saving changes.

- To close the Setup Utility and save your changes from the current session, use either of the following procedures:
 - Press **f10**, and then follow the instructions on the screen.
 - or –
 - If the Setup Utility menus are not visible, press **esc** to return to the menu display. Then use the arrow keys to select **Exit > Exit Saving Changes**, and then press **enter**.
When you use the **f10** procedure, you are offered an option to return to the Setup Utility. When you use the Exit Saving Changes procedure, the Setup Utility closes when you press **enter**.
- To close the Setup Utility without saving your changes from the current session:
If the Setup Utility menus are not visible, press **esc** to return to the menu display. Then use the arrow keys to select **Exit > Exit Discarding Changes**, and then press **enter**.
After the Setup Utility closes, the computer restarts in Windows.

Setup Utility menus

The menu tables in this section provide an overview of Setup Utility options.



Some of the Setup Utility menu items listed in this chapter may not be supported by your computer.

Main menu

Select	To Do This
System information	<ul style="list-style-type: none">■ View and change the system time and date.■ View identification information about the computer.■ View specification information about the processor, memory size, system BIOS, and keyboard controller version (select models only).


Security menu

Select	To Do This
Administrator password	Enter, change, or delete an administrator password.
Power-On	Password Enter, change, or delete a power-on password.

System Configuration menu


Select	To Do This
Language Support	Change the Setup Utility language.
Boot Options	Set the following boot options: <ul style="list-style-type: none">■ f10 and f12 Delay (sec.)—Set the delay for the f10 and f12 functions of the Setup Utility in intervals of 5 seconds each (0, 5, 10, 15, 20).■ CD-ROM boot—Enable/disable boot from CD-ROM.■ Floppy boot—Enable/disable boot from Floppy.■ Internal Network Adapter boot—Enable/disable boot from Internal Network Adapter.■ Boot Order—Set the boot order for:<ul style="list-style-type: none"><input type="checkbox"/> USB Floppy<input type="checkbox"/> ATAPI CD-/DVD-ROM Drive<input type="checkbox"/> Hard drive<input type="checkbox"/> USB Diskette on Key<input type="checkbox"/> USB Hard drive<input type="checkbox"/> Network adapter
Button Sound (select models only)	Enable/disable the Quick Launch Button tapping sound.
Virtualization Technology	Enable/disable the processor Virtualization Technology.
Processor C4 State	Enable/disable the processor C4 sleep state.

Diagnostics menu

Select	To Do This
Hard Disk Self Test	Run a comprehensive self-test on the hard drive.  On models with two hard drives, this menu option is called the Primary Hard Disk Self Test .
Secondary Hard Disk Self Test (select models only)	Run a comprehensive self-test on a secondary hard drive.
Memory Test	Run a diagnostic test on the system memory.

Specifications

Computer specifications

	Metric	U.S.
Dimensions		
Length	25.5 cm	10.04 in
Width	37.9 cm	14.90 in
Height (front to rear)	3.3 to 4.3 cm	1.30 to 1.69 in
Weight		
	3.2 kg	7.08 lbs
Input power		
Operating voltage	19.0 V dc @ 4.74 A - 65 W	
Operating current	4.74 A	
Temperature		
Operating (not writing to optical disc)	0°C to 35°C	32°F to 95°F
Operating (writing to optical disc)	5°C to 35°C	41°F to 95°F
Nonoperating	-20°C to 60°C	-4°F to 140°F
Relative humidity		
Operating	10% to 90%	
Nonoperating	5% to 95%	
Maximum altitude (unpressurized)		
Operating	-15 m to 3,048 m	-50 ft to 10,000 ft
Nonoperating	-15 m to 12,192 m	-50 ft to 40,000 ft
 Applicable product safety standards specify thermal limits for plastic surfaces. The computer operates well within this range of temperatures.		

16.0-inch FHD display specifications

	Metric	U.S.
Dimensions		
Height	19.9 cm	7.83 in
Width	35.4 cm	13.91 in
Diagonal	40.6 cm	15.98 in
Number of colors	Up to 16.8 million	
Contrast ratio	250:1 (typical)	
Brightness	180 nits (typical)	
Pixel resolution		
Pitch	0.279 × 0.279 mm	
Format	1920 × 1080p	
Configuration	RGB vertical stripe	
Backlight	Edge lit	
Character display	80 × 25	
Total power consumption	4.0 W	
Viewing angle	±40° horizontal, +120°/-40° vertical (typical)	

16.0-inch HD display specifications

	Metric	U.S.
Dimensions		
Height	19.9 cm	7.83 in
Width	35.4 cm	13.91 in
Diagonal	40.6 cm	15.98 in
Number of colors	Up to 16.8 million	
Contrast ratio	250:1 (typical)	
Brightness	180 nits (typical)	
Pixel resolution		
Pitch	0.279 × 0.279 mm	
Format	1366 × 768	
Configuration	RGB vertical stripe	
Backlight	Edge lit	
Character display	80 × 25	
Total power consumption	4.0 W	
Viewing angle	±40° horizontal, +120°/-40° vertical (typical)	

Hard drive specifications


	500-GB*	400-GB*	320-GB*
Dimensions			
Height	9.5 mm	9.5 mm	9.5 mm
Width	70 mm	70 mm	70 mm
Weight	101 g	101 g	101 g
Interface type			
	SATA	SATA	SATA
Transfer rate			
	100 MB/sec	100 MB/sec	100 MB/sec
Security			
	ATA security	ATA security	ATA security
Seek times (typical read, including setting)			
Single track	3 ms	3 ms	3 ms
Average	13 ms	13 ms	13 ms
Maximum	24 ms	24 ms	24 ms
Logical blocks			
	976,809,728	781,446,402	625,127,124
Disc rotational speed			
	5400 rpm	5400 rpm	7200 rpm and 5400 rpm
Operating temperature			
	5°C to 55°C (41°F to 131°F)		

*1 GB = 1 billion bytes when referring to hard drive storage capacity. Actual accessible capacity is less. Actual drive specifications may differ slightly.



Certain restrictions and exclusions apply. Contact technical support for details.

(Continued)

Hard drive specifications <i>(Continued)</i>	250-GB*	160-GB*
Dimensions		
Height	9.5 mm	9.5 mm
Width	70 mm	70 mm
Weight	101 g	101 g
Interface type	SATA	SATA
Transfer rate	100 MB/sec	100 MB/sec
Security	ATA security	ATA security
Seek times (typical read, including setting)		
Single track	3 ms	3 ms
Average	13 ms	13 ms
Maximum	24 ms	24 ms
Logical blocks	488,397,168	312,581,808
Disc rotational speed	5400 rpm	7200 rpm and 5400 rpm
Operating temperature	5°C to 55°C (41°F to 131°F)	
*1 GB = 1 billion bytes when referring to hard drive storage capacity. Actual accessible capacity is less. Actual drive specifications may differ slightly.		
 Certain restrictions and exclusions apply. Contact technical support for details.		

Blu-ray ROM DVD±RW SuperMulti DL Drive specifications

Applicable disc	Read:	Write:
	BD-ROM, BD-ROM-DL, BD-R, BD-R-DL, BD-RE, BD-RE-DL, DVD-ROM, DVD+R, DVD+R-DL, DVD+RW, DVD-R, DVD-R-DL, DVD-RW, DVD-RAM (Ver.2), CD-DA, CD-ROM (Mode 1 and mode 2), CD-ROM XA (Mode 2, form 1 and form 2), Photo CD (Single and multiple sessions), CD Extra, CD-R, CD-RW, and CD-TEXT	DVD-RAM (Ver.2), DVD+R, DVD-R, CD-R, and CD-RW
Access time	BD	DVD
Random	< 230 ms	< 180 ms
Cache buffer	4.5 MB	
Data transfer rate		
2X BD-RAM	9 MB/sec	
8X DVD	2,400 KB/sec	
16X CD-R	2,400 KB/sec	
16X CD-RW	2,400 KB/sec	

DVD±RW and CD-RW SuperMulti Double-Layer Combo Drive specifications

Applicable disc	Read:	Write:
	CD-DA, CD+(E)G, CD-MIDI, CDTEXT, CD-ROM, CD-ROM XA, MIXED MODE CD, CD-I, CD-I Bridge (Photo-CD, Video CD), Multisession CD (Photo-CD, CD-EXTRA, Portfolio, CDR, CD-RW), CD-R, CD-RW, DVDROM (DVD-5, DVD-9, DVD-10, DVD-18), DVD-R, DVD-RW, DVD+R, DVD+RW, DVD-RAM	CD-R, CD-RW, DVD+R, DVD+RW, DVD-R, DVD-RW, DVD-RAM
Access time	CD	DVD
Random	< 175 ms	< 230 ms
Cache buffer	2 MB	2 MB
Data transfer rate		
24X CD-ROM	3,600 KB/sec	
8X DVD	10,800 KB/sec	
24X CD-R	3,600 KB/sec	
16X CD-RW	2,400 KB/sec	
8X DVD+R	10,800 KB/sec	
4X DVD+RW	5,400 KB/sec	
8X DVD-R	10,800 KB/sec	
4X DVD-RW	5,400 KB/sec	
2.4X DVD+R(9)	2,700 KB/sec	
5X DVD RAM	6,750 KB/sec	

System DMA specifications

Hardware	DMA System function
DMA0	Not applicable
DMA1*	Not applicable
DMA2*	Not applicable
DMA3	Not applicable
DMA4	Direct memory access controller
DMA5*	Not applicable
DMA6	Not assigned
DMA7	Not assigned

*PC Card controller can use DMA 1, 2, or 5.


System memory map specifications


Size	Memory address	System function
640 KB	00000000-0009FFFF	Base memory
128 KB	000A0000-000BFFFF	Video memory
64 KB	000C0000-000CFFFF	Video BIOS
64 KB	000E8000-000FFFFF	System BIOS
	00100000- XFFFFFFF	Extended memory (based on memory installed)
	(X+1)0000000-FEDFFFFFF	PCI bus
	FED00000-FED003FF	High precision event timer
	FEE01000-FFFFFFF	PCI bus

System interrupt specifications

Hardware IRQ	System function
IRQ0	System timer
IRQ1	Standard 101-/102-key or Microsoft Natural Keyboard
IRQ2	Cascaded
IRQ3	Intel 82801DB/DBM USB2 Enhanced Host Controller—24CD
IRQ4	COM1
IRQ5*	Conexant AC—Link Audio Intel 82801DB/DBM SMBus Controller—24C3 Data Fax Modem with SmartCP
IRQ6	Diskette drive
IRQ7*	Parallel port
IRQ8	System CMOS/real-time clock
IRQ9*	Microsoft ACP-compliant system
IRQ10*	Intel USB UHCI controller—24C2 Intel 82852/82855 GM/GME Graphic Controller Realtek RTL8139 Family PCI Fast Ethernet Controller
IRQ11	Intel USB EHCI controller—24CD Intel USB UHCI controller—24C4 Intel USB UHCI controller—24C7 Intel Pro/Wireless 2200BG TI OHCI 1394 host controller TI PCI1410 CardBus controller
IRQ12	Synaptics PS/2 TouchPad
IRQ13	Numeric data processor
IRQ14	Primary IDE channel
IRQ15	Secondary IDE channel
IRQ16	Intel ICH9 Family USB universal host controller 2937 Mobile Intel 4 Series Express Chipset Family
IRQ17	High definition audio controller Intel ICH9 Family USB universal host controller 2938 Marvell Yukon 88E8072 PCIE-gigabit Ethernet controller
IRQ18	Intel ICH9 Family USB universal host controller 2939 Intel ICH9 Family USB universal host controller 2936
IRQ19	Intel ICH9 Family USB2 enhanced controller 293C
IRQ20	Intel ICH9 Family USB2 enhanced controller 293A Intel ICH9 Family USB universal host controller 2934
IRQ21	Intel ICH9M-E/M SATA AHCI controller
IRQ22	Intel ICH9 Family USB universal host controller 2935

*Default configuration; audio possible configurations are IRQ5, IRQ7, IRQ9, IRQ10, or none.

 PC Cards may assert IRQ3, IRQ4, IRQ5, IRQ7, IRQ9, IRQ10, IRQ11, or IRQ15. Either the infrared or the serial port may assert IRQ3 or IRQ4.

 For operating systems after Windows 2000, APIC (Advanced programming interrupt controller) is used.

System I/O address specifications

I/O address (hex)	System function (shipping configuration)
000 - 01F	DMA controller
020 - 021	Program interrupt controller
024 - 025	Program interrupt controller
028 - 029	Program interrupt controller
02C - 03D	Program interrupt controller
02E - 02F	Motherboard resources
030 - 031	Program interrupt controller
034 - 035	Program interrupt controller
038 - 039	Program interrupt controller
03C- 03D	Program interrupt controller
040 - 043	System timer
04E-04F	Motherboard resources
050-053	System timer
060	Standard 101-/102-key or Microsoft Natural Keyboard
061	Motherboard resources
062	Microsoft ACPI-compliant embedded controller
063	Motherboard resources
064	Standard 101-/102-key or Microsoft Natural Keyboard
065	Motherboard resources
066	Microsoft ACPI-compliant embedded controller
067	Motherboard resources
070	Motherboard resources
071-077	System CMOS/real time clock
080	Motherboard resources
081-091	Direct memory access controller
092	Motherboard resources
093-09F	Direct memory access controller
0A0-0A1	Program interrupt controller
0A4-0A5	Program interrupt controller
0A8-0A9	Program interrupt controller
0AC-0AD	Program interrupt controller
0B0-0B1	Program interrupt controller
0B2-0B3	Motherboard resources
0B4- 0B5	Program interrupt controller
0B8-0B9	Program interrupt controller
0BC- 0BD	Program interrupt controller

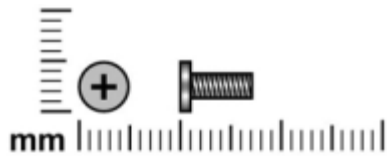
(Continued)

I/O address (hex)	System function (shipping configuration)
0C0-0DF	Direct memory access controller
0F0-0F0	Numeric data processor
0200-027F	Motherboard resources
3B0-3BB	Mobile Intel 4 Series Express Chipset Family
3C0-3DF	Mobile Intel 4 Series Express Chipset Family
400-47F	Motherboard resources
4D0-4D1	Programmable interrupt controller
500-57F	Motherboard resources
1000-1003	Motherboard resources
1010-101F	Motherboard resources
2000-20FF	Marvell Yukon 88E8072 PCI-E Gigabit Ethernet controller
2000-2FFF	ICH9 family PCI express root port6-294A
3000-4FFF	ICH9 family PCI express root port5-2948
5000-6FFF	ICH9 family PCI express root port3-2944
7000-701F	ICH9M-E/M SATA AHCI controller
7020-703F	ICH9 family USB universal host controller-2936
7040-705F	ICH9 family USB universal host controller-2935
7060-707F	ICH9 family USB universal host controller-2934
7080-709F	ICH9 family USB universal host controller-2939
70A0-70BF	ICH9 family USB universal host controller-2938
70C0-70DF	ICH9 family USB universal host controller-2937
70E0-70E7	ICH9M-E/M SATA AHCI controller
70E8-70EF	ICH9M-E/M SATA AHCI controller
70F0-70F7	Mobile Intel 4 Series Express Chipset Family
70F8-70FB	ICH9M-E/M SATA AHCI controller
70FC-70FF	ICH9M-E/M SATA AHCI controller
EF80-EF9F	Motherboard resources
FE00-FE0F	Motherboard resources
FE80-EF8F	Motherboard resources
FFFF	Motherboard resources

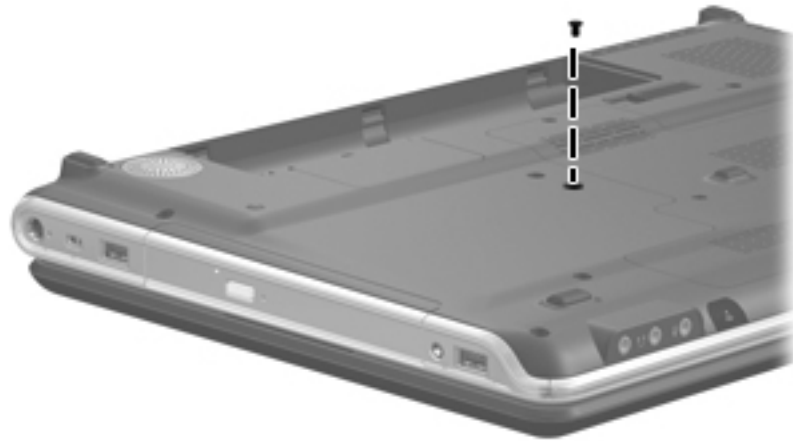
Screw listing

This section provides specification and reference information for the screws used in the computer. The screws listed in this section are available in the Screw Kit, spare part number 496479-001.

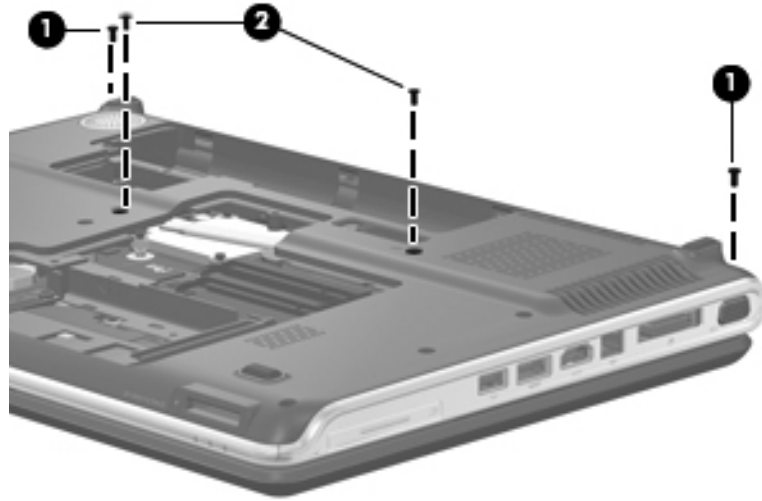
Phillips PM2.5×7.0 screw



Color	Quantity	Length	Thread	Head diameter
Black	28	7.0 mm	2.5 mm	5.0 mm

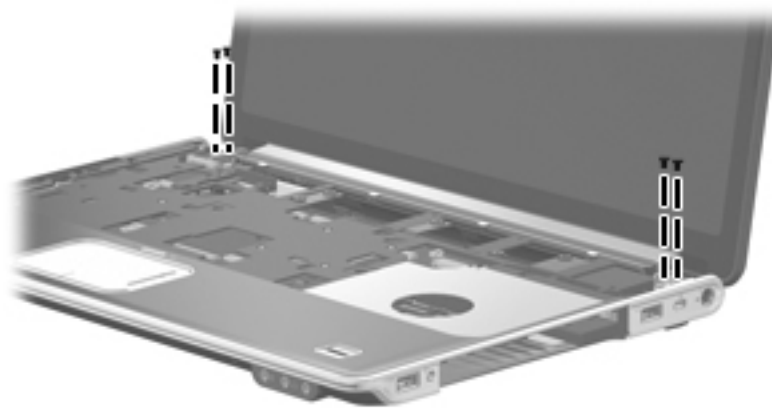


Where used: One screw that secures the optical drive to the computer

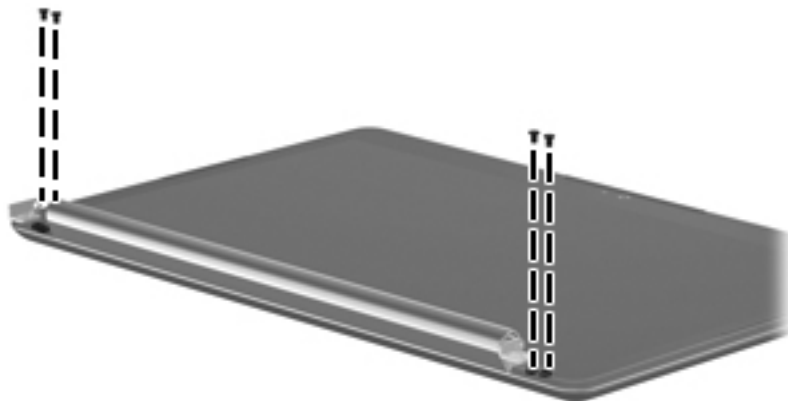


Where used:

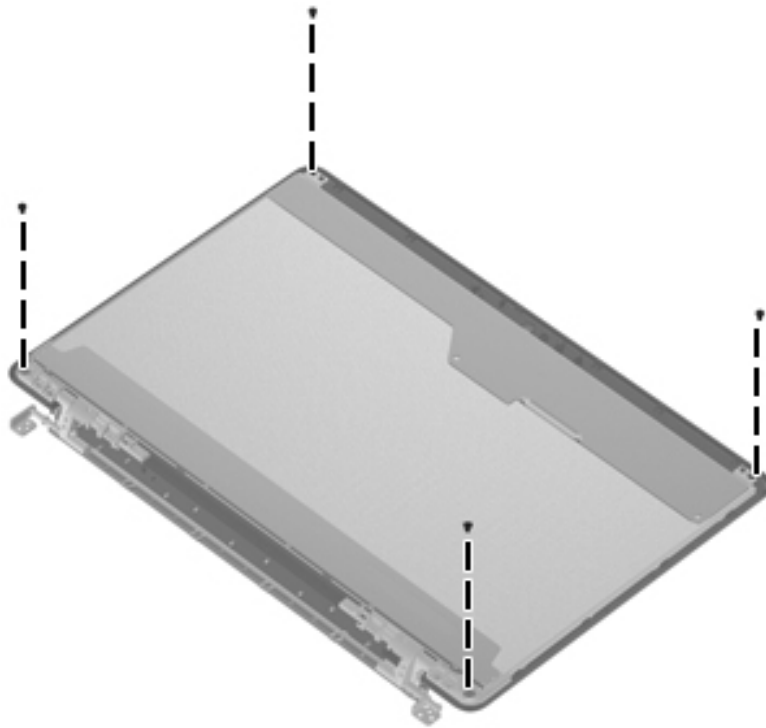
- ❶ Two screws that secure the switch cover to the computer
- ❷ Two screws that secure the keyboard to the computer



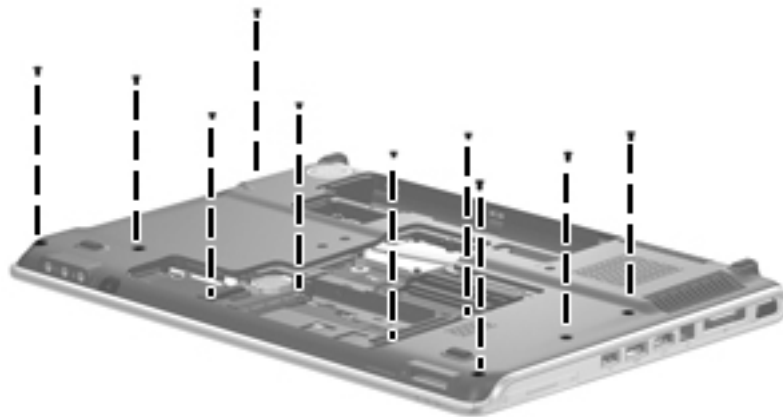
Where used: 4 screws that secure the display assembly to the computer



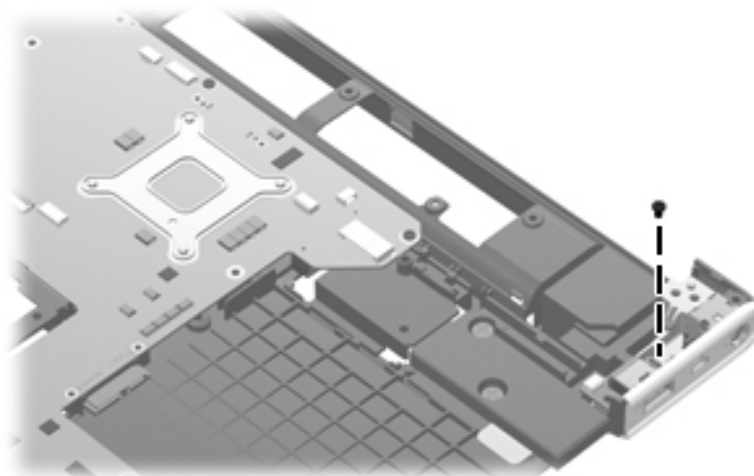
Where used: 4 screws that secure the display enclosure to the display assembly



Where used: 4 screws that secure the display hinges to the display panel

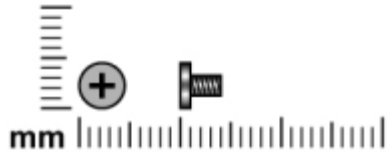


Where used: 10 screws that secure the top cover to the base enclosure

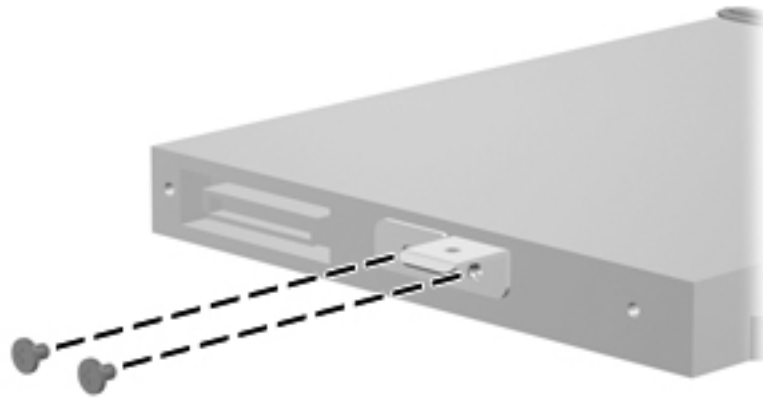


Where used: One screw that secures the power connector bracket to the base enclosure

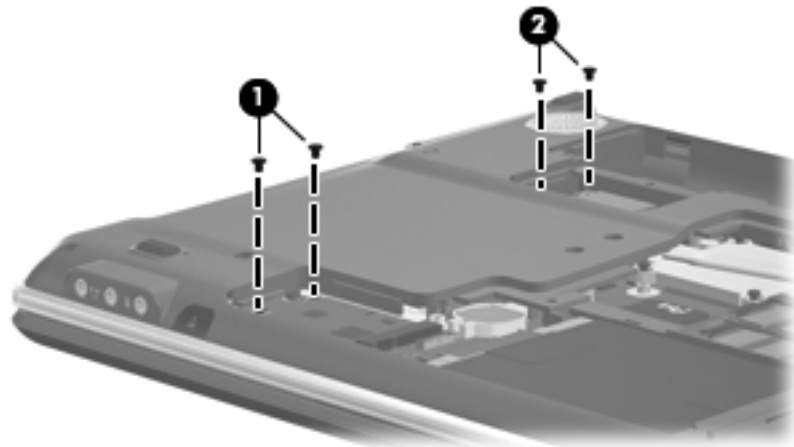
Phillips PM2.0×4.0 screw



Color	Quantity	Length	Thread	Head diameter
Black	40	4.0 mm	2.0 mm	4.5 mm

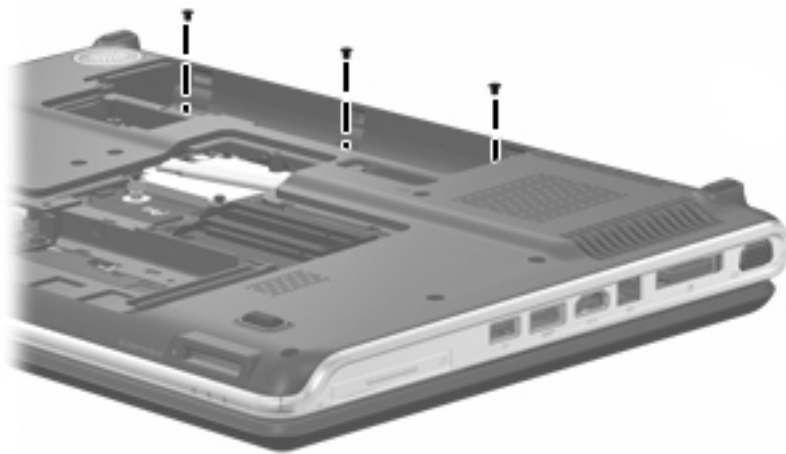


Where used: 2 screws that secure the optical drive bracket to the optical drive

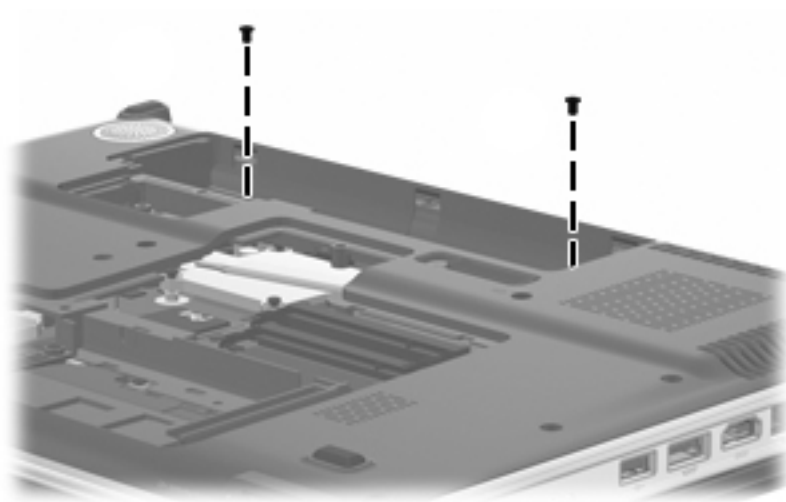


Where used:

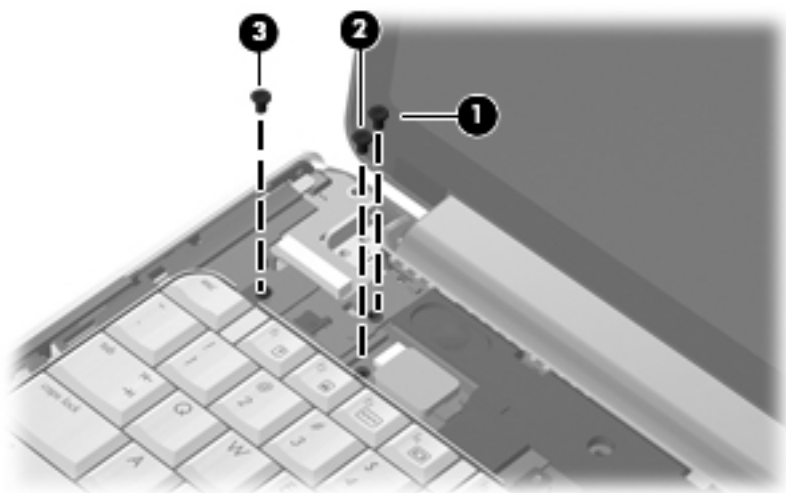
- ❶ Two screws that secure the TV tuner module to the system board
- ❷ Two screws that secure the WLAN module to the system board



Where used: 3 screws that secure the switch cover to the computer

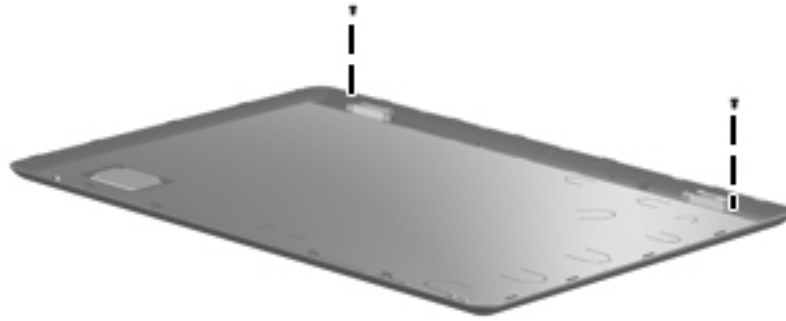


Where used: 2 screws that secure the keyboard cover to the computer

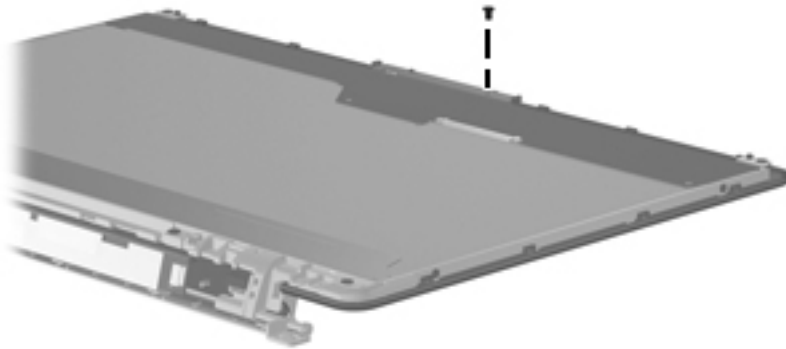


Where used:

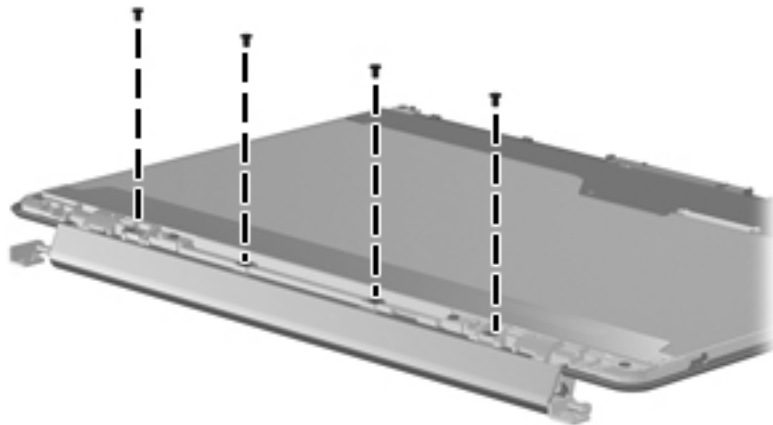
- ❶ One screw that secures the power button board to the top cover
- ❷ One screw that secures the Bluetooth module to the computer
- ❸ One screw that secures the keyboard to the computer



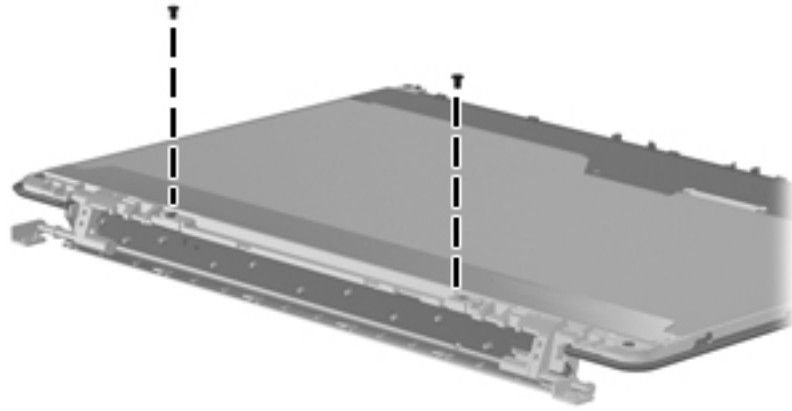
Where used: 2 screws that secure the wireless antenna transceivers to the display enclosure



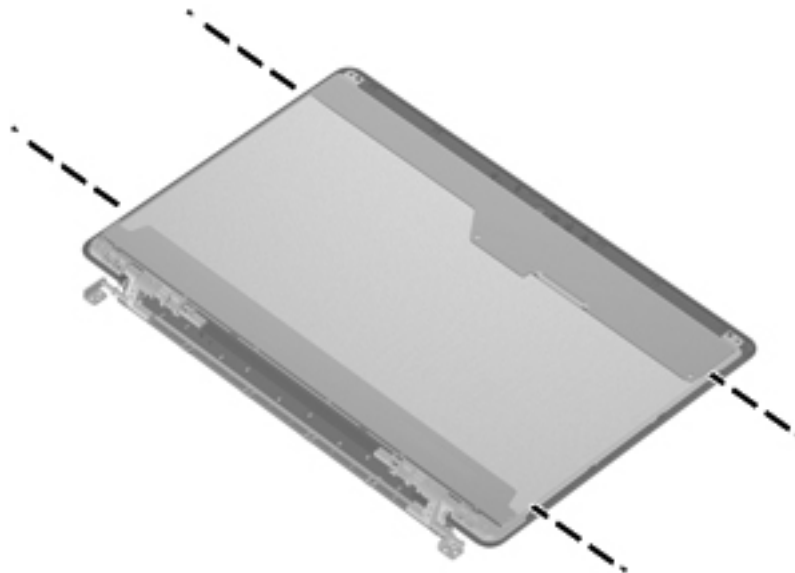
Where used: One screw that secures the webcam/microphone module to the display panel



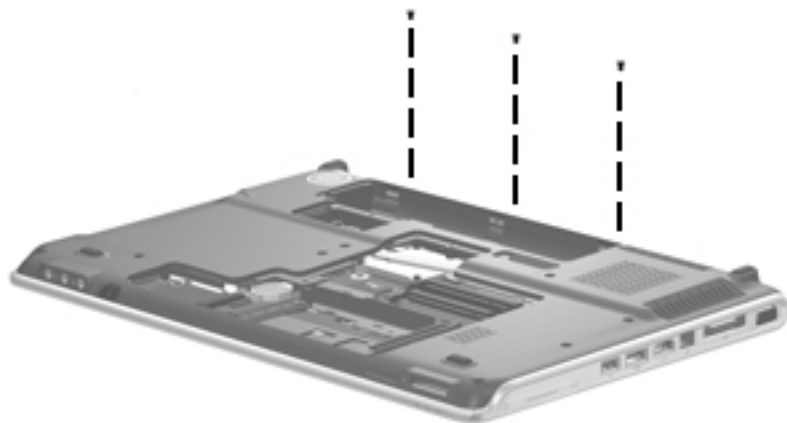
Where used: 4 screws that secure the display hinge cover to the display panel



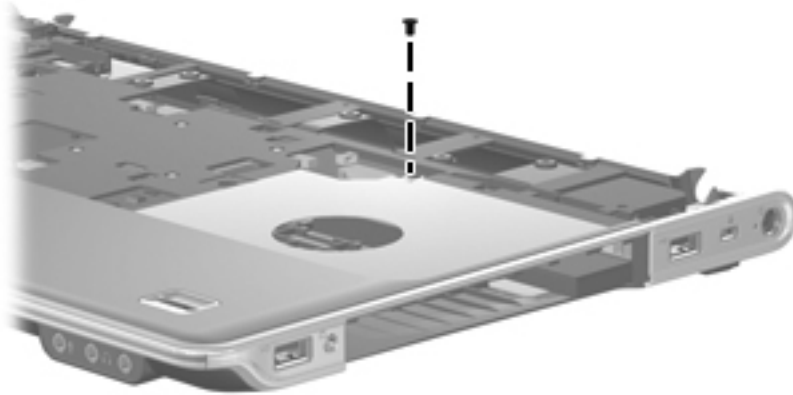
Where used: 2 screws that secure the display hinge bracket to the display panel



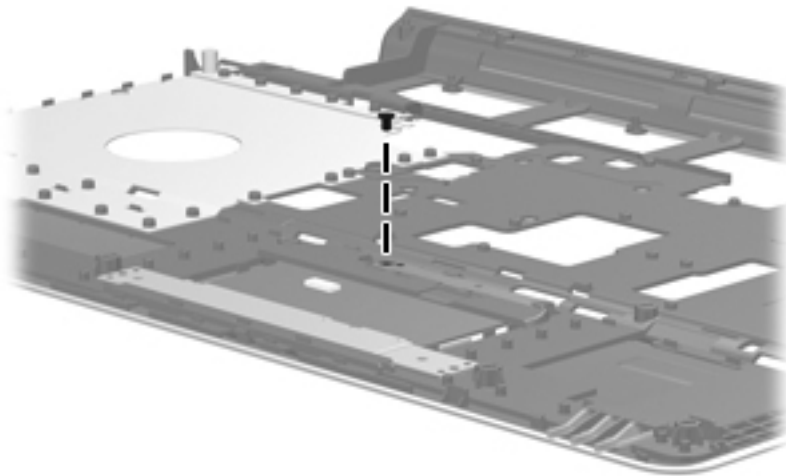
Where used: 4 screws that secure the display hinges to the display panel



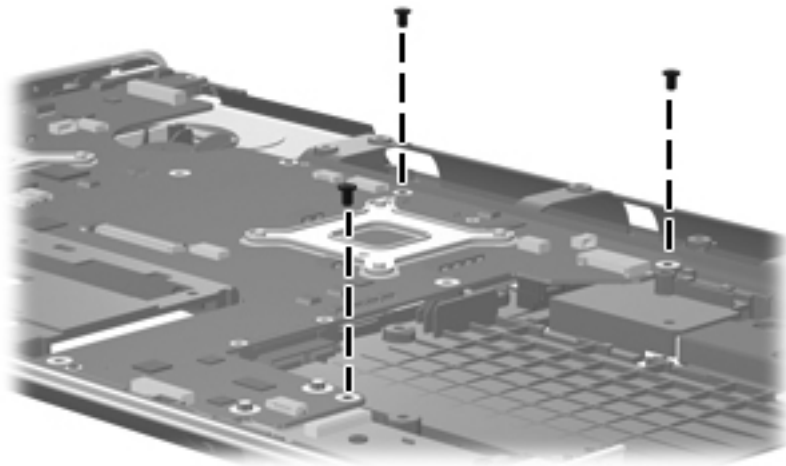
Where used: 3 screws that secure the top cover to the base enclosure



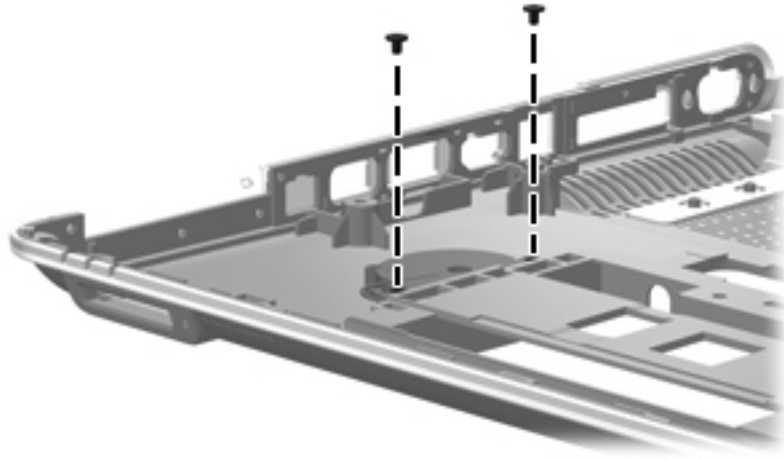
Where used: One screw that secures the top cover to the base enclosure



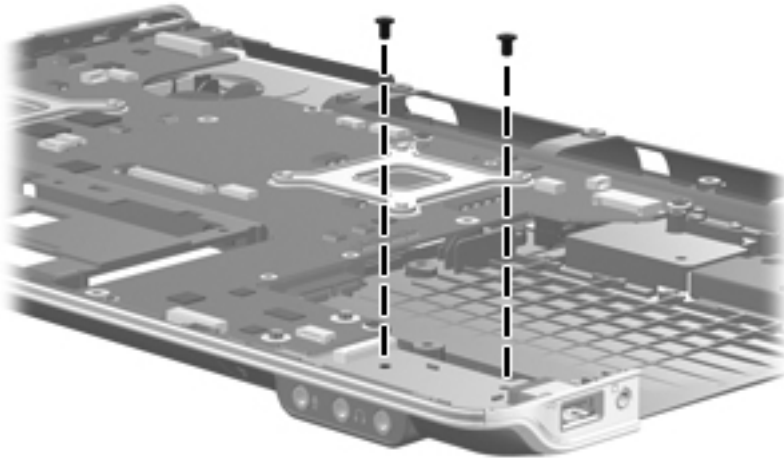
Where used: One screw that secures the TouchPad on/off button board to the top cover



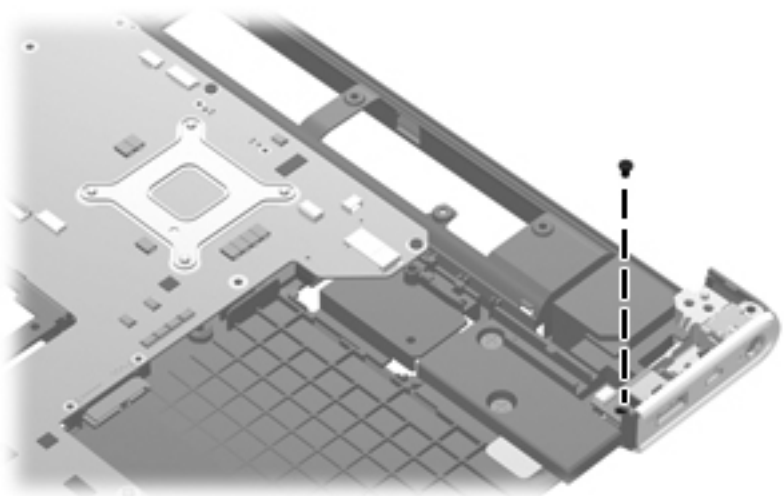
Where used: 3 screws that secure the system board to the base enclosure



Where used: 2 screws that secure the fan to the base enclosure

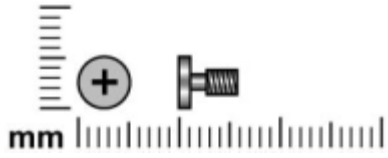


Where used: 2 screws that secure the audio/infrared board to the base enclosure



Where used: One screw that secures the USB board to the base enclosure

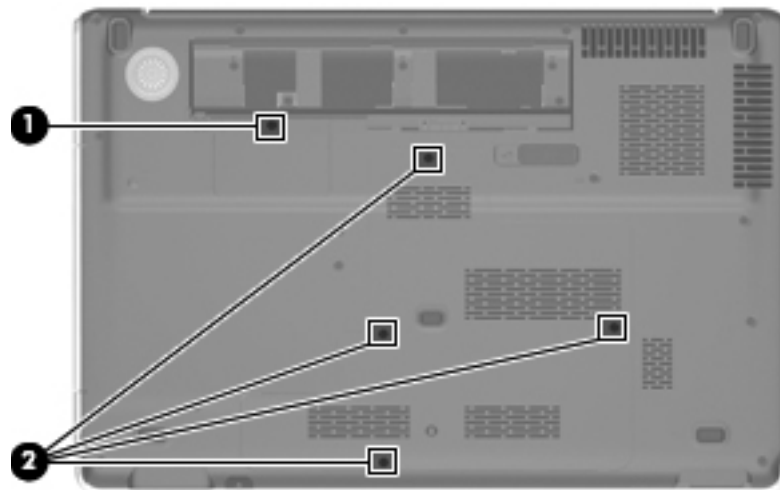
Phillips PM2.5×6.0 captive screw



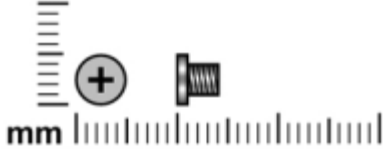
Color	Quantity	Length	Thread	Head diameter
Black	5	6.0 mm	2.5 mm	5.0 mm

Where used:

- ① One captive screw that secures the WLAN module compartment cover to the computer (screw is secured by a C clip)
- ② Four captive screws that secure the hard drive cover to the computer (screws are secured by C clips)

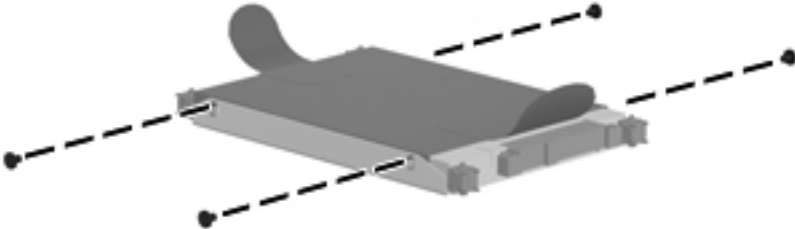


Phillips PM3.0×4.0 screw

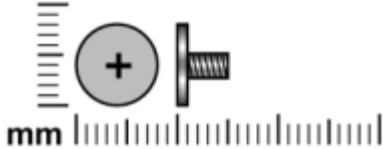


Color	Quantity	Length	Thread	Head diameter
Silver	4	4.0 mm	3.0 mm	5.0 mm

Where used: 4 screws that secure the hard drive left and right brackets to the hard drive

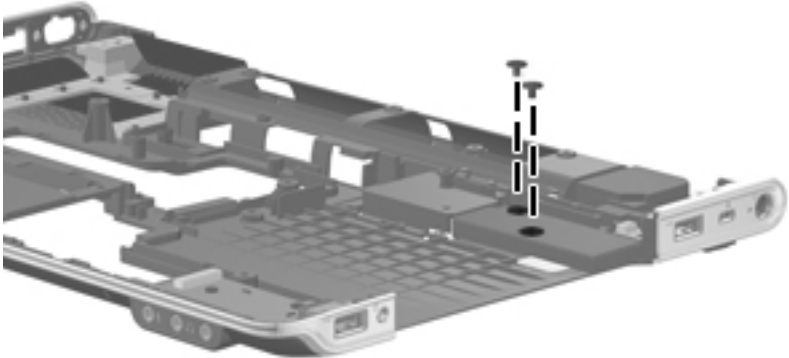


Phillips PM2.5×5.0 broadhead screw



Color	Quantity	Length	Thread	Head diameter
Silver	2	5.0 mm	2.5 mm	8.0 mm

Where used: 2 screws that secure the subwoofer to the base enclosure

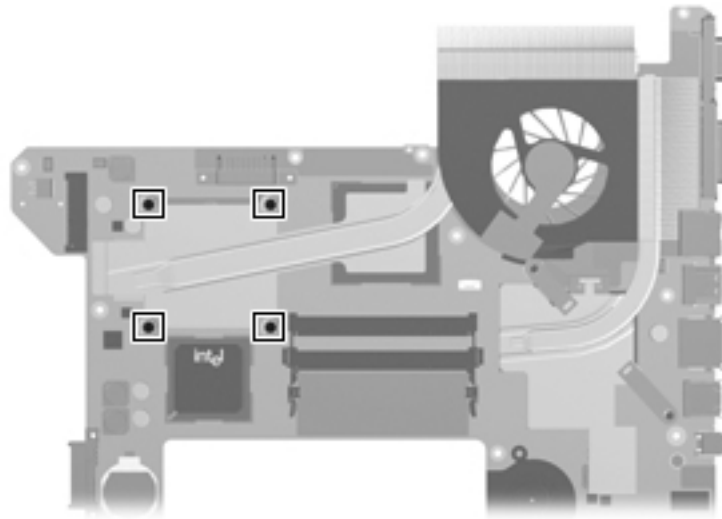


Phillips PM2.5×11.0 captive screw

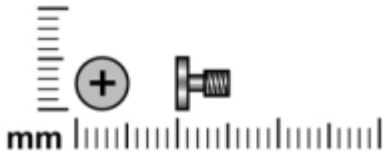


Color	Quantity	Length	Thread	Head diameter
Silver	4	11.0 mm	2.5 mm	6.0 mm

Where used: 4 captive screws that secure the fan/heat sink assembly to the system board (screws are secured by O rings)

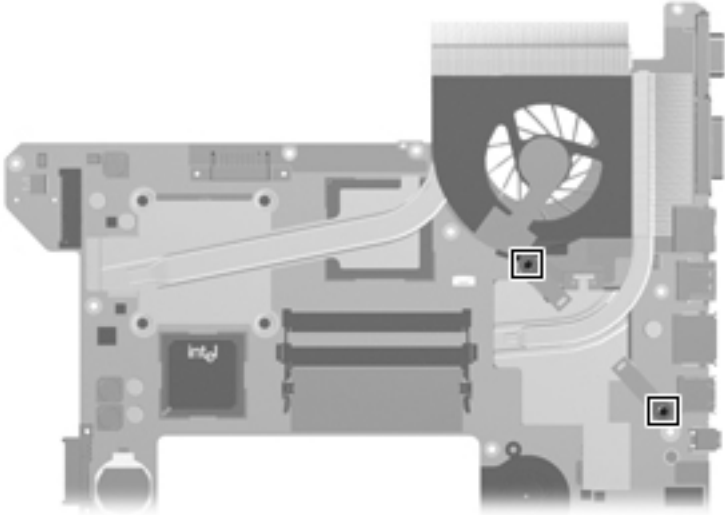


Phillips PM2.5×5.0 captive screw



Color	Quantity	Length	Thread	Head diameter
Silver	2	5.0 mm	2.5 mm	5.0 mm

Where used: 2 captive screws that secure the fan/heat sink assembly to the system board (screws are secured by O rings)




Backup and recovery

Recovering system information


Recovery after a system failure is as complete as your most current backup. HP recommends that you create recovery discs immediately after software setup. As you add new software and data files, you should continue to back up your system on a regular basis to maintain a reasonably current backup.


Tools provided by the operating system and Recovery Manager software are designed to help you with the following tasks for safeguarding your information and restoring it in case of a system failure:

- Making a set of recovery discs (Recovery Manager software feature). Recovery discs are used to start up (boot) your computer and restore the operating system and software programs to factory settings in case of system failure or instability.
- Backing up your information regularly to protect your important system files.
- Creating system restore points (operating system feature). System restore points allow you to reverse undesirable changes to your computer by restoring the computer to an earlier state.
- Recovering a program or driver (Recovery Manager software feature). This feature helps you reinstall a program or driver without performing a full system recovery.
- Performing a full system recovery (Recovery Manager software feature). With Recovery Manager, you can recover your full factory image if you experience system failure or instability. Recovery Manager works from a dedicated recovery partition (select models only) on the hard drive or from recovery discs you create.


 If your computer includes a solid-state drive (SSD), you may not have a recovery partition. Recovery discs have been included for computers that do not have a partition. Use these discs to recover your operating system and software. To check for the presence of a recovery partition, select **Start > Computer**. If the partition is present, an HP Recovery drive is listed in the Hard Disk Drives section of the window.

Creating recovery discs

 HP recommends that you create recovery discs to be sure that you can restore your system to its original factory state if you experience serious system failure or instability. Create these discs after setting up the computer for the first time.

 Handle these discs carefully and keep them in a safe place. The software allows the creation of only one set of recovery discs.

Note the following guidelines before creating recovery discs:


- You will need high quality CD-R, DVD-R, double-layer DVD-R, DVD+R, double-layer DVD+R, or BD-R (writable Blu-ray) discs. All these discs are purchased separately.
 -  Read-write discs, such as CD-RW, DVD±RW, double-layer DVD±RW, and BD-RE (rewritable Blu-ray) discs, are not compatible with the Recovery Manager software.
- The computer must be connected to AC power during this process.
- Only one set of recovery discs can be created per computer.
- Number each disc before inserting it into the computer optical drive.
- If necessary, you can exit the program before you have finished creating the recovery discs. The next time you open Recovery Manager, you will be prompted to continue the disc creation process.

To create a set of recovery discs:

1. Select **Start > All Programs > Recovery Manager > Recovery Manager**.

Recovery Manager opens.


2. Click **Advanced Options**.

 If you are operating the computer on battery power, you will be prompted to connect to AC power before you can go to the next step.

3. Click **Recovery disc creation**, and then click **Next**.
4. Follow the on-screen instructions.

Backing up your information

When to back up

- On a regularly scheduled basis
 -  Set reminders to back up your information periodically.
- Before the computer is repaired or restored
- Before you add or modify hardware or software

Backup suggestions

- Create a set of recovery discs using Recovery Manager.
- Create system restore points using the Windows System Restore feature, and periodically copy them to disc.
- Store personal files in the Documents folder and back up this folder periodically.
- Back up templates stored in their associated programs.
- Save customized settings in a window, toolbar, or menu bar by taking a screen shot of your settings. The screen shot can be a time saver if you have to reset your preferences.

To copy the screen and paste it into a word-processing document, follow these steps:

1. Display the screen.
2. Copy the screen:
 - To copy only the active window, press **alt+fn+prt sc**.
 - To copy the entire screen, press **fn+prt sc**.
3. Open a word-processing document, and then select **Edit > Paste**.

Using system restore points

When you back up your system, you are creating a system restore point. A system restore point allows you to save and name a snapshot of your hard drive at a specific point in time. You can then recover back to that point if you want to reverse subsequent changes made to your system.



Recovering to an earlier restore point does not affect data files saved or e-mails created since the last restore point.

You also can create additional restore points to provide increased protection for your system files and settings.

When to create restore points

- Before you add or extensively modify software or hardware
- Periodically, whenever the system is performing optimally



If you revert to a restore point and then change your mind, you can reverse the restoration.

Create a system restore point

1. Select **Start > Control Panel > System and Maintenance > System**.
2. In the left pane, click **System Protection**.
3. Click the **System Protection** tab.
4. Under **Automatic restore points**, select the disk for which you want to create a restore point.
5. Click **Create**.

The System Protection window opens.

6. Follow the on-screen instructions.

Restore to a previous date and time

To revert to a restore point (created at a previous date and time), when the computer was functioning optimally, follow these steps:

1. Select **Start > Control Panel > System and Maintenance > System**.
2. In the left pane, click **System protection**.
3. Click the **System Protection** tab.
4. Click the **System Restore** button, and then click **Next**.

The System Restore window opens.

5. Follow the on-screen instructions.

Performing a recovery



You can recover only files that you have previously backed up. HP recommends that you use Recovery Manager to create an entire drive backup as soon as you set up your computer.

Recovery Manager software allows you to repair or restore the system if you experience system failure or instability. Recovery Manager works from recovery discs that you create or from a dedicated recovery partition (select models only) on the hard drive. However, if your computer includes a solid-state drive (SSD), you may not have a recovery partition. If that is the case, recovery discs have been included with your computer. Use these discs to recover your operating system and software.



Windows has its own built-in repair features, such as System Restore and driver roll-back capabilities. If you have not already tried these features, try them before using Recovery Manager.



Recovery Manager recovers only software that was preinstalled at the factory. Software not provided with this computer must be downloaded from the manufacturer's Web site or reinstalled from the disc provided by the manufacturer.

Recovering from the recovery discs

To restore the system from the recovery discs:

1. Back up all personal files.
2. Insert the first recovery disc into the optical drive and restart the computer.
3. Follow the on-screen instructions.

Recovering from the dedicated recovery partition (select models only)



If your computer includes a solid-state drive (SSD), you may not have a recovery partition. You will not be able to recover using this procedure. Recovery discs have been included for computers that do not have a partition. Use these discs to recover your operating system and software.

On some models, you can perform a recovery from the partition on the hard drive from either the Start button or **f11**.

To restore the system from the partition, follow these steps:

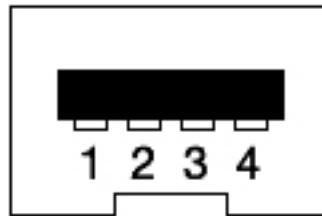
1. Access Recovery Manager in either of the following ways:
 - Select **Start > All Programs > Recovery Manager > Recovery Manager**.
 - or –
 - Restart the computer and press **f11** while the “Press <F11> for recovery” message is displayed on the screen. Then select **Recovery Manager**.

Recovery Manager opens.

2. Click **Advanced Options**.
3. Click **System recovery**, and then click **Next**.
4. Follow the on-screen instructions.

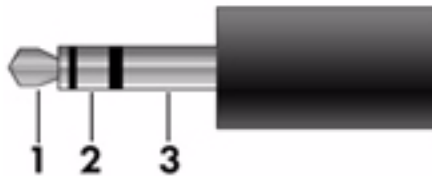
Connector pin assignments

1394



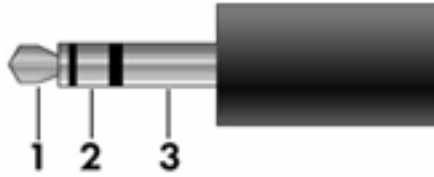
Pin	Signal
1	TPB-
2	TPB+
3	TPA-
4	TPA+

Audio-in (microphone)



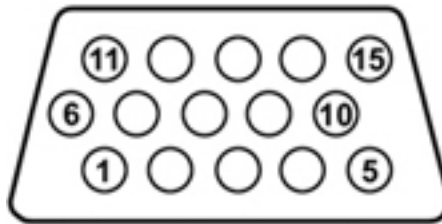
Pin	Signal
1	Audio signal in
2	Audio signal in
3	Ground

Audio-out (headphone)



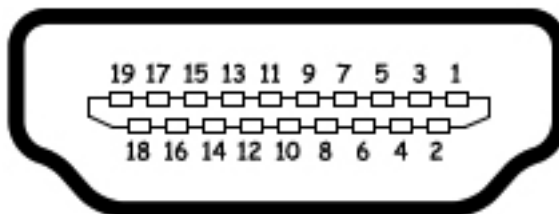
Pin	Signal
1	Audio out, left channel
2	Audio out, right channel
3	Ground

External monitor



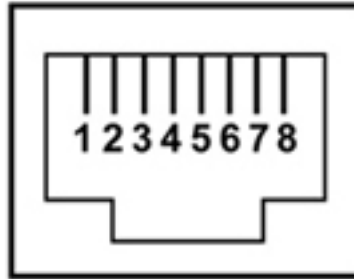
Pin	Signal
1	Red analog
2	Green analog
3	Blue analog
4	Not connected
5	Ground
6	Ground analog
7	Ground analog
8	Ground analog
9	+5 VDC
10	Ground
11	Monitor detect
12	DDC 2B data
13	Horizontal sync
14	Vertical sync
15	DDC 2B clock

HDMI



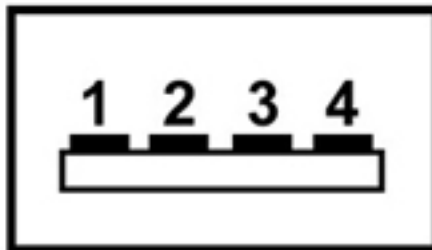
Pin	Signal
1	Transition minimized differential signal (TDMS) data 2+
2	TDMS data 2 shield
3	TDMS data 2-
4	TDMS data 1+
5	TDMS data 1 shield
6	TDMS data 1 shield
7	TDMS data 0+
8	TDMS data 0 shield
9	TDMS data 0-
10	TDMS clock +
11	TDMS data clock shield
12	TDMS data clock-
13	Consumer electronics control
14	Not connected
15	Display data channel (DDC) clock
16	DDC data
17	Ground
18	+5V Power
19	Hot plug detect

RJ-45 (network)



Pin	Signal
1	Transmit +
2	Transmit -
3	Receive +
4	Unused
5	Unused
6	Receive -
7	Unused
8	Unused

Universal Serial Bus



Pin	Signal
1	+5 VDC
2	Data
3	Data +
4	Ground

Power cord set requirements

The wide range input feature of the computer permits it to operate from any line voltage from 100 to 120 volts AC or from 220 to 240 volts AC.

The 3-conductor power cord set included with the computer meets the requirements for use in the country or region where the equipment is purchased.

Power cord sets for use in other countries and regions must meet the requirements of the country or region where the computer is used.

Requirements for all countries and regions

The requirements listed below are applicable to all countries and regions:

- The length of the power cord set must be at least 1.5 m (5.0 ft) and no more than 2.0 m (6.5 ft).
- All power cord sets must be approved by an acceptable accredited agency responsible for evaluation in the country or region where the power cord set will be used.
- The power cord sets must have a minimum current capacity of 10 amps and a nominal voltage rating of 125 or 250 V AC, as required by the power system of each country or region.
- The appliance coupler must meet the mechanical configuration of an EN 60 320/IEC 320 Standard Sheet C13 connector for mating with the appliance inlet on the back of the computer.

Requirements for specific countries and regions


Country/region	Accredited agency	Applicable note number
Australia	EANSW	1
Austria	OVE	1
Belgium	CEBC	1
Canada	CSA	2
Denmark	DEMKO	1
Finland	FIMKO	1
France	UTE	1
Germany	VDE	1
Italy	IMQ	1
Japan	METI	3
The Netherlands	KEMA	1
Norway	NEMKO	1
The People's Republic of China	CCC	5
South Korea	EK	4
Sweden	SEMKO	1
Switzerland	SEV	1
Taiwan	BSMI	4
The United Kingdom	BSI	1
The United States	UL	2


1. The flexible cord must be Type HO5VV-F, 3-conductor, 1.0-mm² conductor size. Power cord set fittings (appliance coupler and wall plug) must bear the certification mark of the agency responsible for evaluation in the country or region where it will be used.
2. The flexible cord must be Type SPT-3 or equivalent, No. 18 AWG, 3-conductor. The wall plug must be a two-pole grounding type with a NEMA 5-15P (15 A, 125 V) or NEMA 6-15P (15 A, 250 V) configuration.
3. The appliance coupler, flexible cord, and wall plug must bear a "T" mark and registration number in accordance with the Japanese Dentori Law. The flexible cord must be Type VCT or VCTF, 3-conductor, 1.00-mm² conductor size. The wall plug must be a two-pole grounding type with a Japanese Industrial Standard C8303 (7 A, 125 V) configuration.
4. The flexible cord must be Type RVV, 3-conductor, 0.75-mm² conductor size. Power cord set fittings (appliance coupler and wall plug) must bear the certification mark of the agency responsible for evaluation in the country or region where it will be used.
5. The flexible cord must be Type VCTF, 3-conductor, 0.75-mm² conductor size. Power cord set fittings (appliance coupler and wall plug) must bear the certification mark of the agency responsible for evaluation in the country or region where it will be used.


Battery

When a battery has reached the end of its useful life, do not dispose of the battery in general household waste. Follow the local laws and regulations in your area for computer battery disposal.

Display


 **WARNING:** The backlight contains mercury. Caution must be exercised when removing and handling the backlight to avoid damaging this component and causing exposure to the mercury.

 **CAUTION:** The procedures in this chapter can result in damage to display components. The only components intended for recycling purposes are the liquid crystal display (LCD) panel and the backlight. When you remove these components, handle them carefully.

 **Materials disposal.** This HP product contains mercury in the backlight in the display assembly that might require special handling at end-of-life. Disposal of mercury may be regulated because of environmental considerations. For disposal or recycling information, contact your local authorities, or see the Electronic Industries Alliance (EIA) Web site at <http://www.eiae.org>.

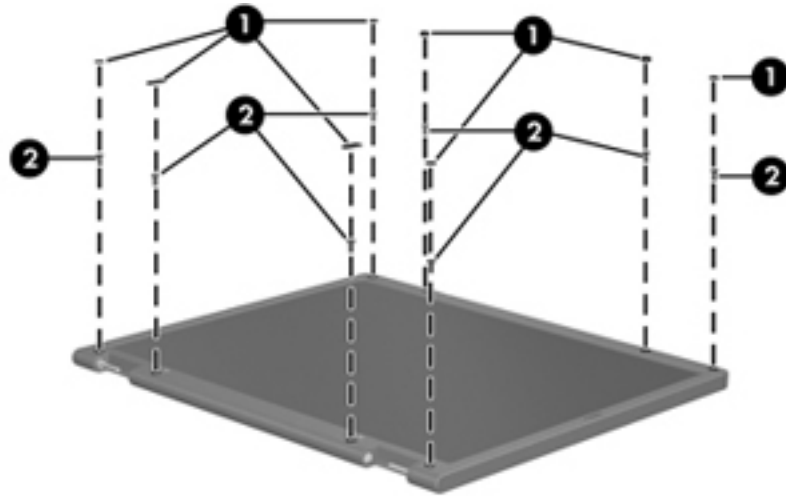
This section provides disassembly instructions for the display assembly. The display assembly must be disassembled to gain access to the backlight ❶ and the liquid crystal display (LCD) panel ❷.



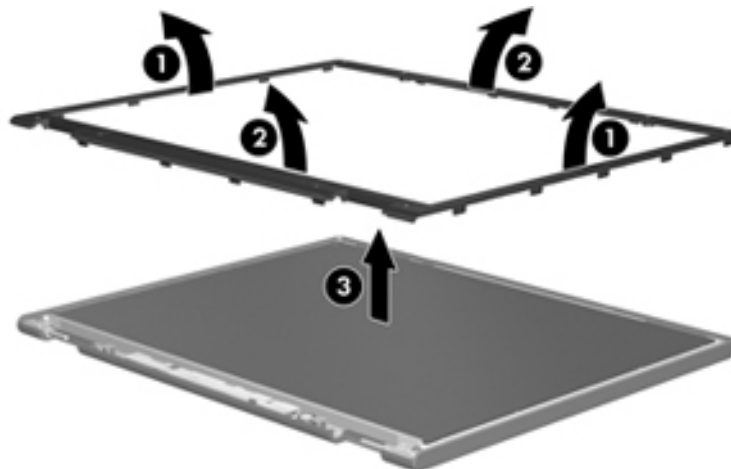
 The procedures provided in this chapter are general disassembly instructions. Specific details, such as screw sizes, quantities, and locations, and component shapes and sizes, can vary from one computer model to another.

Perform the following steps to disassemble the display assembly:

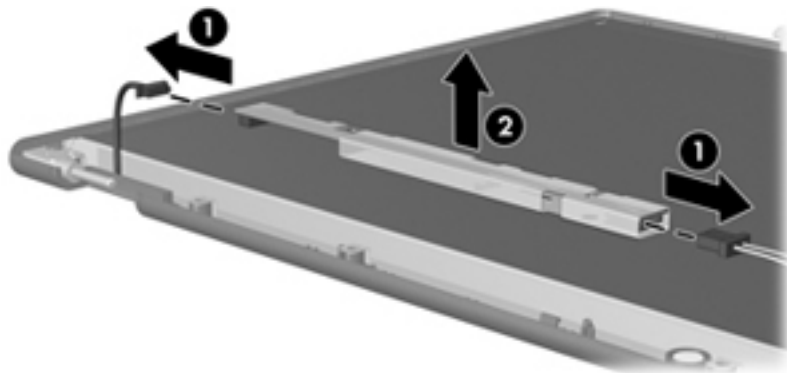
1. Remove all screw covers ① and screws ② that secure the display bezel to the display assembly.



2. Lift up and out on the left and right inside edges ① and the top and bottom inside edges ② of the display bezel until the bezel disengages from the display assembly.
3. Remove the display bezel ③.

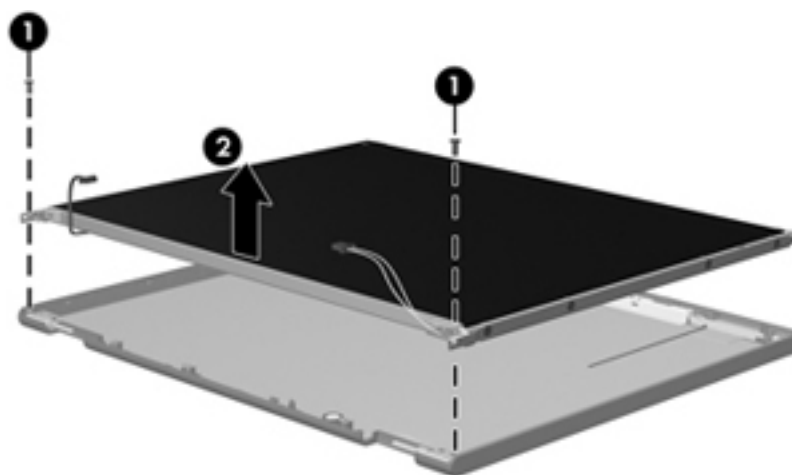


4. Disconnect all display panel cables ❶ from the display inverter and remove the inverter ❷.



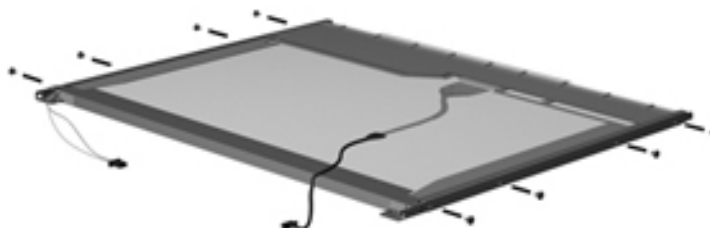
5. Remove all screws ❶ that secure the display panel assembly to the display enclosure.

6. Remove the display panel assembly ❷ from the display enclosure.

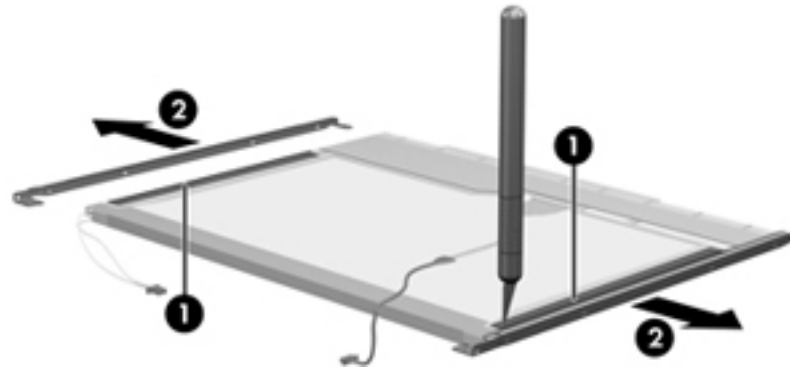


7. Turn the display panel assembly upside down.

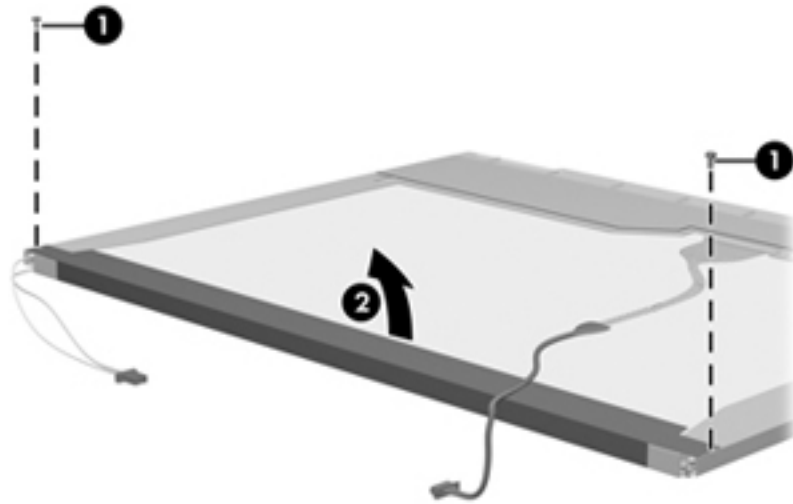
8. Remove all screws that secure the display panel frame to the display panel.



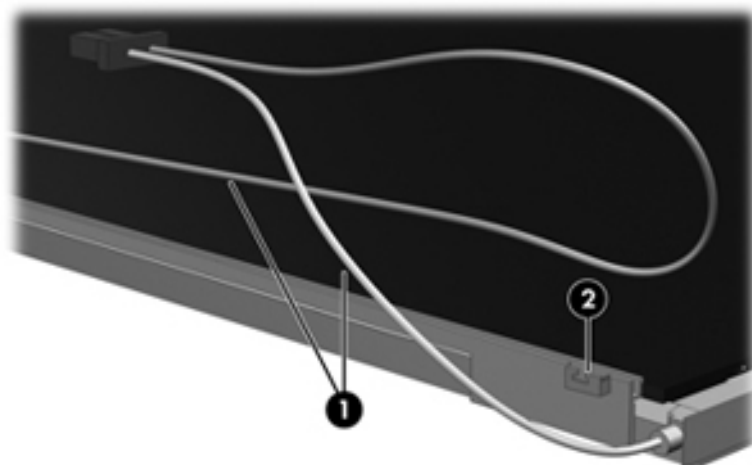
9. Use a sharp-edged tool to cut the tape ❶ that secures the sides of the display panel to the display panel frame.
10. Remove the display panel frame ❷ from the display panel.



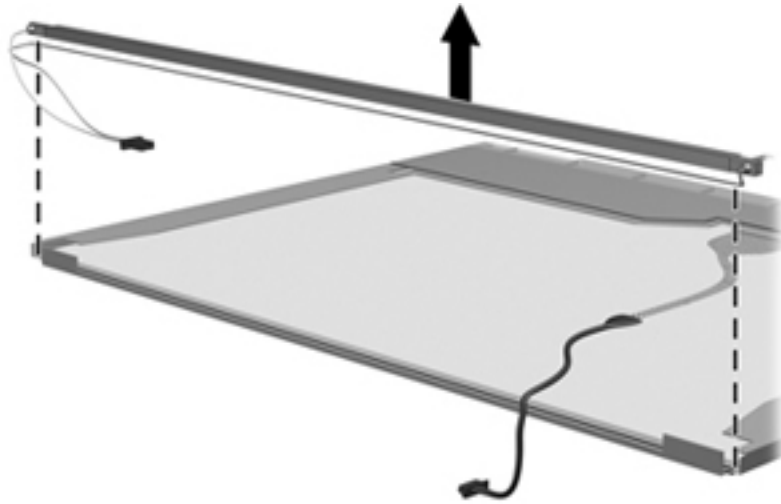
11. Remove the screws ❶ that secure the backlight cover to the display panel.
12. Lift the top edge of the backlight cover ❷ and swing it outward.




13. Remove the backlight cover.
14. Turn the display panel right-side up.
15. Remove the backlight cables ❶ from the clip ❷ in the display panel.

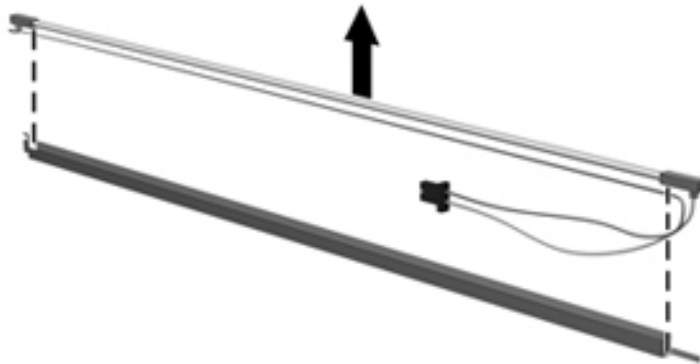


16. Turn the display panel upside down.
17. Remove the backlight frame from the display panel.

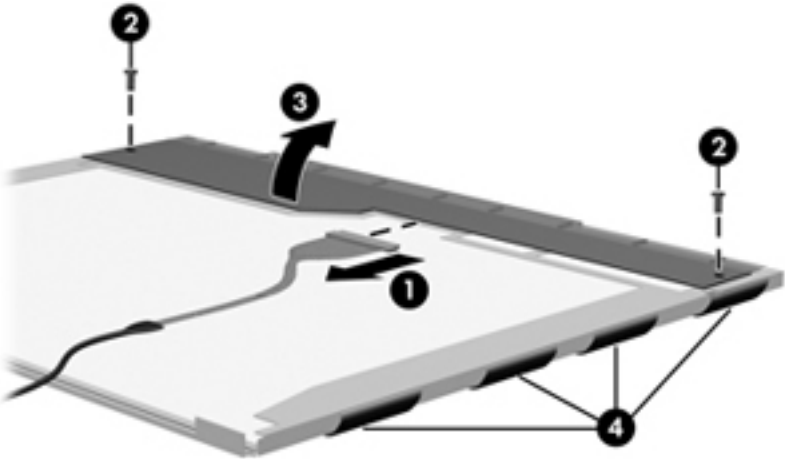


 **WARNING:** The backlight contains mercury. Exercise caution when removing and handling the backlight to avoid damaging this component and causing exposure to the mercury.

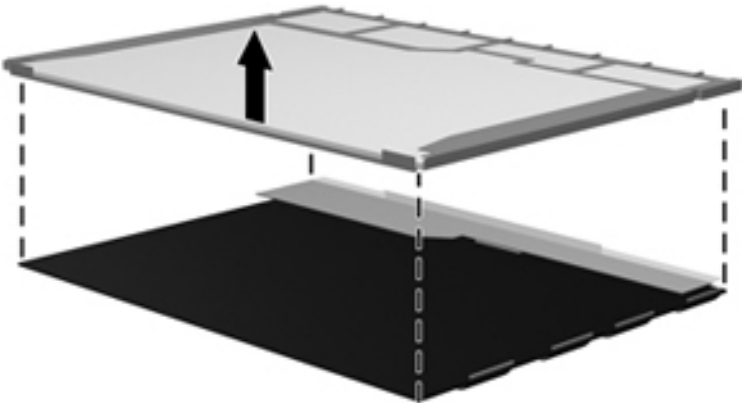
18. Remove the backlight from the backlight frame.



- 19. Disconnect the display cable ❶ from the LCD panel.
- 20. Remove the screws ❷ that secure the LCD panel to the display rear panel.
- 21. Release the LCD panel ❸ from the display rear panel.
- 22. Release the tape ❹ that secures the LCD panel to the display rear panel.



- 23. Remove the LCD panel.



- 24. Recycle the LCD panel and backlight.

1394 port

- connector pinout 9-1
- location 2-8

A

AC adapter, spare part numbers 3-11, 3-12, 3-16

administrator password 5-3

advanced Setup Utility features 5-2

antennae

- disconnecting 4-17
- locations 2-1
- removal 4-34

audio product description 1-3

audio/infrared board

- removal 4-50
- spare part number 3-4, 3-14, 4-50

audio-in jack

- connector pinout 9-1
- location 2-7

audio-out jack

- connector pinout 9-2
- location 2-7

B

backup and recovery 8-1

base enclosure, spare part number 3-4, 3-14

bass light 2-5

bass scroll zone 2-3

battery

- removal 4-8
- spare part numbers 3-4, 3-15, 4-8

battery bay 2-9

battery light 2-5

battery release latch 2-9

Bluetooth module

- removal 4-23
- spare part number 3-3, 3-13, 4-23

Bluetooth module cable

- removal 4-28
- spare part number 3-3, 3-13, 4-28

Blu-ray ROM DVD±RW SuperMulti DL Drive

- precautions 4-2
- removal 4-9
- spare part numbers 3-5, 3-10, 3-15, 4-9
- specifications 6-5

boot options 5-3

boot order 5-3

bottom components 2-9

button components 2-2

button sound 5-3

buttons

- media 2-2
- next/fast forward 2-2
- optical drive 2-2
- play/pause 2-2
- power 2-2
- previous/rewind 2-2
- stop 2-2
- TouchPad 2-6
- TouchPad on/off 2-6
- treble/bass 2-3
- volume mute 2-2
- wireless 2-3

C

Cable Kit

- spare part number 3-4, 3-14

caps lock light 2-5

changing the Setup Utility language 5-1

chipset product description 1-1

closing the Setup Utility 5-2

CMOS clearing 4-5

components

- bottom 2-9
- buttons 2-2
- display 2-1
- fingerprint reader 2-2
- front 2-7
- keys 2-4
- left-side 2-8
- lights 2-5
- pointing device 2-6
- rear 2-8
- right-side 2-7
- speakers 2-2
- top 2-1

computer feet

- removal 4-7
- spare part number 3-4, 3-14

- computer specifications 6–1
- connector pinout
 - 1394 port 9–1
 - audio-in jack 9–1
 - audio-out jack 9–2
 - external monitor port 9–2
 - HDMI port 9–3
 - headphone jack 9–2
 - microphone jack 9–1
 - monitor port 9–2
 - network jack 9–4
 - RJ-45 jack 9–4
 - USB port 9–4

D

- Diagnostics menu, Setup Utility 5–4
- Digital Media Slot 2–7
- Digital Media Slot light 2–7
- diskette drive, precautions 4–2
- display assembly
 - removal 4–31
 - spare part numbers 3–3, 3–14, 3–15, 4–31
- Display Cable Kit, spare part number 3–13
- Display Cable Kit, spare part numbers 3–9, 3–16
- display components
 - illustrated 2–1
 - recycling 11–1
 - spare part numbers 3–9
- display enclosure
 - removal 4–33
 - spare part number 3–9, 3–13, 4–34
- display hinge
 - removal 4–38
 - spare part number 3–9, 3–13, 4–38
- display hinge bracket, removal 4–38
- display hinge cover
 - removal 4–35
 - spare part number 3–9, 3–13, 4–35
- Display Hinge Kit, spare part number 3–9, 3–13, 4–38
- display inverter
 - removal 4–37, 11–3
 - spare part numbers 3–9, 3–13, 4–37
- display panel cable
 - removal 4–36
 - spare part number 4–36
- display panel product description 1–1
- display switch 2–1
- displaying system information 5–2
- docking product description 1–4
- drive light 2–5
- drives, boot order 5–3
- DVD±RW and CD-RW Combo Drive 3–5, 3–10, 3–15
 - precautions 4–2
 - removal 4–9

- spare part numbers 4–9
- specifications 6–6

E

- electrostatic discharge 4–2
- eSATA/USB port 2–8
- esc** key 2–4
- Ethernet product description 1–3
- expansion port 3 2–8
- ExpressCard slot 2–8
- ExpressCard slot bezel, illustrated 3–7
- external media card product description 1–3
- external monitor port
 - connector pinout 9–2
 - location 2–8

F

- fan
 - removal 4–48
 - spare part number 3–4, 3–16, 4–48
- fan/heat sink assembly
 - removal 4–58
 - spare part number 3–4, 3–14, 4–58
- feet
 - removal 4–7
 - spare part number 3–4, 3–14
- fingerprint reader 2–3, 5–1
- fn** key 2–4
- front components 2–7
- function keys 2–4

G

- graphics product description 1–1
- grounding guidelines 4–2

H

- hard drive
 - precautions 4–2
 - product description 1–2
 - removal 4–11
 - spare part numbers 3–5, 3–10, 3–15, 3–16, 4–11
- hard drive bay 2–9
- hard drive bracket, removal 4–12
- hard drive cover
 - illustrated 3–7
 - removal 4–11
- hard drive self test 5–4
- HDMI port
 - connector pinout 9–3
 - location 2–8
- headphone jack
 - connector pinout 9–2
 - location 2–7
- headset, spare part number 3–11, 3–12

I

infrared lens 2-7
integrated numeric keypad keys 2-4

J

jacks
 audio-in 2-7
 audio-out 2-7
 headphone 2-7
 microphone 2-7
 network 2-8
 RJ-45 2-8
 TV antenna/cable 2-7

K

key components 2-4
keyboard
 product description 1-4
 removal 4-24
 spare part numbers 3-3, 3-14, 3-16, 4-24
keyboard cover
 removal 4-20
 spare part number 3-3, 3-14, 4-20
keys
 esc 2-4
 fn 2-4
 function 2-4
 integrated numeric keypad 2-4
 Windows applications 2-4
 Windows logo 2-4

L

language support 5-3
LED board cable, removal 4-29
left-side components 2-8
light components 2-5
lights
 bass 2-5
 battery 2-5
 caps lock 2-5
 Digital Media Slot 2-7
 drive 2-5
 num lock 2-5
 optical drive 2-7
 power 2-5
 TouchPad 2-6
 treble 2-5
 treble/bass down 2-5
 treble/bass up 2-5
 volume down 2-5
 volume mute 2-5
 volume up 2-5
 wireless 2-5

M

Main menu, Setup Utility 5-3
mass storage devices
 illustrated 3-10
 spare part numbers 3-10
media button 2-2
memory module
 removal 4-15
 spare part numbers 3-5, 3-15, 3-16, 4-15
memory product description 1-1
microphone jack
 connector pinout 9-1
 location 2-7
microphone product description 1-2
microphones 2-1
miscellaneous parts, spare part numbers 3-11
model name 3-1
modem product description 1-3
monitor port
 connector pinout 9-2
 location 2-8
mouse, spare part number 3-11, 3-12

N

navigating in the Setup Utility 5-1
network jack
 connector pinout 9-4
 location 2-8
next/fast forward button 2-2
num lock light 2-5

O

operating system product description 1-4
optical drive
 location 2-7
 precautions 4-2
 product description 1-2
 spare part numbers 3-5, 3-10
 specifications 6-5, 6-6
optical drive bracket, removal 4-10
optical drive button 2-2
optical drive light 2-7

P

packaging and transporting guidelines 4-3
password clearing 4-5
passwords 5-3
plastic parts 4-1
Plastics Kit
 contents 3-7
 spare part number 3-3, 3-7, 3-14
play/pause button 2-2
pointing device
 illustrated 2-6
 product description 1-4

- ports
 - 1394 2–8
 - eSATA/USB 2–8
 - expansion 3 2–8
 - external monitor 2–8
 - HDMI 2–8
 - monitor 2–8
 - USB 2–7, 2–8
- ports product description 1–4
- power button 2–2
- power button board
 - removal 4–22
 - spare part number 3–3, 3–14, 4–22
- power button board cable, removal 4–27
- power connector 2–7
- power connector cable, removal 4–54
- power cord
 - set requirements 10–1
 - spare part numbers 3–11, 3–13
- power light 2–5
- power requirements product description 1–4
- power-on password 5–3
- previous/rewind button 2–2
- processor
 - product description 1–1
 - removal 4–61
 - spare part numbers 3–4, 3–15, 3–16, 4–61
- product description
 - audio 1–3
 - chipset 1–1
 - display panel 1–1
 - docking 1–4
 - Ethernet 1–3
 - external media card 1–3
 - graphics 1–1
 - hard drive 1–2
 - keyboard 1–4
 - memory 1–1
 - microphone 1–2
 - modem 1–3
 - operating system 1–4
 - optical drive 1–2
 - pointing device 1–4
 - ports 1–4
 - power requirements 1–4
 - processor 1–1
 - security 1–4
 - serviceability 1–4
 - TV tuner 1–3
 - webcam 1–3
 - wireless 1–3
- product name 1–1, 3–1

R

- rear components 2–8
- recovery discs, creating 8–1
- recycling
 - battery 11–1
 - display components 11–1
- remote control, spare part numbers 3–11, 3–12
- restore points 8–3
- restoring default settings in the Setup Utility 5–2
- right-side components 2–7
- RJ-45 jack
 - connector pinout 9–4
 - location 2–8
- RTC battery
 - removal 4–14
 - spare part number 3–5, 3–12, 4–14
- Rubber Feet Kit, spare part number 3–4, 3–14

S

- Screw Kit
 - contents 3–11
 - spare part number 3–11
- screw listing 7–1
- secondary hard drive self test 5–4
- security cable slot 2–7
- Security menu, Setup Utility 5–3
- security product description 1–4
- selecting in the Setup Utility 5–1
- sequential part number listing 3–12
- service considerations 4–1
- service tag 3–1, 4–6
- serviceability product description 1–4
- Setup Utility
 - changing the language 5–1
 - closing 5–2
 - Diagnostics menu 5–4
 - displaying system information 5–3
 - Main menu 5–3
 - navigating and selecting 5–1
 - restoring default settings 5–2
 - Security menu 5–3
 - starting 5–1
 - System Configuration menu 5–3
 - using advanced features 5–2
- speaker assembly
 - removal 4–30
 - spare part number 3–4, 3–14, 4–30
- speakers 2–2
- specifications
 - Blu-ray ROM DVD±RW SuperMulti DL Drive 6–5
 - computer 6–1
 - display assembly 6–2
 - DVD±RW and CD-RW Combo Drive 6–6
 - optical drive 6–5, 6–6

- system DMA 6–7
- system I/O address 6–9
- system interrupt 6–8
- system memory map 6–7
- static-shielding materials 4–3
- stop button 2–2
- subwoofer
 - location 2–9
 - removal 4–56
- switch cover
 - removal 4–18
 - spare part number 3–3, 3–14, 4–18
- system board
 - removal 4–45
 - spare part number 3–4, 3–13, 4–45
- System Configuration menu, Setup Utility 5–3
- system DMA specifications 6–7
- system I/O address specifications 6–9
- system information 5–3
 - backing up 8–2
 - performing a recovery 8–4
 - recovering 8–1
- system interrupt specifications 6–8
- system memory map specifications 6–7

T

- tools required 4–1
- top components 2–1
- top cover
 - removal 4–39
 - spare part number 3–4, 3–14, 4–39
- TouchPad 2–6
- TouchPad button 2–6
- TouchPad light 2–6
- TouchPad on/off button 2–6
- TouchPad on/off button board
 - removal 4–43
 - spare part number 3–4, 3–14, 4–43
- TouchPad scroll zone 2–6
- treble light 2–5
- treble scroll zone 2–3
- treble/bass button 2–3
- treble/bass down light 2–5
- treble/bass up light 2–5
- TV antenna/cable jack 2–7
- TV tuner external antenna cable, spare part numbers 3–5, 3–13
- TV tuner module
 - removal 4–13
 - spare part numbers 3–5, 3–12, 3–13, 4–13
- TV tuner module cable, removal 4–52
- TV tuner product description 1–3

U

- Universal Serial Bus (USB) board
 - removal 4–53
 - spare part number 3–4, 3–14, 4–53
- Universal Serial Bus (USB) port
 - connector pinout 9–4
 - location 2–7, 2–8
- unknown password 4–5

V

- vent 2–8, 2–9
- volume down light 2–5
- volume mute button 2–2
- volume mute light 2–5
- volume scroll zone 2–3
- volume up light 2–5

W

- warranty period 3–1
- webcam
 - location 2–1
 - product description 1–3
- webcam light 2–1
- webcam/microphone module
 - removal 4–35
 - spare part number 3–9, 3–15, 4–35
- webcam/microphone module cable, removal 4–36
- Windows applications key 2–4
- Windows logo key 2–4
- wireless antennae
 - disconnecting 4–17
 - locations 2–1
 - removal 4–34
- wireless button 2–3
- wireless light 2–5
- wireless product description 1–3
- WLAN module
 - removal 4–16
 - spare part numbers 3–6, 3–12, 4–16
- WLAN module compartment 2–9
- WLAN module compartment cover
 - illustrated 3–7
 - removal 4–17