




Dell™ Dimension™ 4300S

# Owner's Manual



[www.dell.com](http://www.dell.com) | [support.dell.com](http://support.dell.com)

## Hints, Notices, and Cautions

-  **HINT:** A HINT indicates important information that helps you make better use of your computer.
-  **NOTICE:** A NOTICE indicates either potential damage to hardware or loss of data and tells you how to avoid the problem.
-  **CAUTION:** A CAUTION indicates a potential for property damage, personal injury, or death.

## Abbreviations and Acronyms

For a complete list of abbreviations and acronyms, see the *Tell Me How* help file. To access help files, see page 28.

---

Information in this document is subject to change without notice.  
© 2001 Dell Computer Corporation. All rights reserved.

Reproduction in any manner whatsoever without the written permission of Dell Computer Corporation is strictly forbidden.

Trademarks used in this text: *Dell*, the *DELL* logo, *Dimension*, *Inspiron*, *Latitude*, *OptiPlex*, *Dell Precision*, *DellPlus*, and *DellNet* are trademarks of Dell Computer Corporation; *Intel* and *Pentium* are registered trademarks of Intel Corporation; *Microsoft* and *Windows* are registered trademarks of Microsoft Corporation.

Other trademarks and trade names may be used in this document to refer to either the entities claiming the marks and names or their products. Dell Computer Corporation disclaims any proprietary interest in trademarks and trade names other than its own.

This product incorporates copyright protection technology that is protected by method claims of certain U.S. patents and other intellectual property rights owned by Macrovision Corporation and other rights owners. Use of this copyright protection technology must be authorized by Macrovision Corporation, and is intended for home and other limited viewing uses only unless otherwise authorized by Macrovision Corporation. Reverse engineering or disassembly is prohibited.

**October 2001      P/N 6K797      Rev. A00**

# Contents

<b>Safety Instructions</b> . . . . .	<b>9</b>
When Using Your Computer . . . . .	9
Ergonomic Computing Habits . . . . .	10
When Working Inside Your Computer . . . . .	12
Protecting Against Electrostatic Discharge . . . . .	13

## 1 Setting Up

<b>Attaching and Removing the Computer Stand</b> . . . . .	<b>16</b>
<b>Connecting a Printer</b> . . . . .	<b>18</b>
Parallel Printer . . . . .	18
USB Printer . . . . .	20
Installing the Printer Driver . . . . .	20
<b>Transferring Information to a New Computer (Windows XP only)</b> . . . . .	<b>21</b>
<b>Setting Up a Home and Office Network (Windows XP only)</b> . . . . .	<b>22</b>
<b>Turning Off the Computer</b> . . . . .	<b>22</b>
Windows XP . . . . .	22
Windows 2000 . . . . .	22

## 2 Solving Problems

<b>Finding Solutions</b> . . . . .	<b>26</b>
<b>Accessing Help Files</b> . . . . .	<b>28</b>
<b>Power Problems</b> . . . . .	<b>28</b>

<b>Start-Up Error Messages</b> . . . . .	<b>29</b>
<b>Video and Monitor Problems</b> . . . . .	<b>30</b>
If the screen is blank . . . . .	30
If the screen is difficult to read . . . . .	31
<b>Sound and Speaker Problems</b> . . . . .	<b>32</b>
<b>Printer Problems</b> . . . . .	<b>33</b>
If you cannot print to a parallel port printer . . . . .	33
If you cannot print to a USB printer . . . . .	34
<b>Scanner Problems</b> . . . . .	<b>35</b>
<b>Modem Problems</b> . . . . .	<b>36</b>
<b>Mouse Problems</b> . . . . .	<b>37</b>
<b>Keyboard Problems</b> . . . . .	<b>38</b>
<b>Drive Problems</b> . . . . .	<b>39</b>
If you cannot save a file to a floppy disk . . . . .	39
If you cannot play a music CD or install a program from a CD . . . . .	40
If you cannot play a DVD movie . . . . .	40
If the CD-RW drive stops writing . . . . .	41
If you have a hard drive problem . . . . .	41
<b>Network Problems</b> . . . . .	<b>42</b>
<b>Microsoft® Windows® Error Messages</b> . . . . .	<b>42</b>
<b>General Program Problems</b> . . . . .	<b>43</b>
A program crashes . . . . .	43
A program stops responding . . . . .	44
A program error causes the system to lock up . . . . .	44
A solid blue screen appears . . . . .	44
A program is designed for an earlier Windows operating system . . . . .	45

<b>Internet Connection Problems</b> . . . . .	<b>45</b>
If you have a problem with your Internet connection . . . . .	45
<b>E-Mail Problems</b> . . . . .	<b>46</b>
<b>Resolving Other Technical Problems</b> . . . . .	<b>47</b>
<b>Reinstalling Drivers</b> . . . . .	<b>47</b>
Using the Windows XP Device Driver Rollback . . . . .	49
<b>Resolving Software and Hardware Incompatibilities</b> . . . . .	<b>50</b>
Windows XP . . . . .	50
Windows 2000 . . . . .	51
<b>Using System Restore</b> . . . . .	<b>52</b>
Creating a Restore Point . . . . .	53
Restoring the Computer to an Earlier Operating State . . . . .	54
Undoing the Last System Restore . . . . .	55
<b>Reinstalling Windows XP</b> . . . . .	<b>55</b>
<b>Reinstalling Windows 2000</b> . . . . .	<b>57</b>

### 3 Adding Parts

<b>Front and Back View of the Computer</b> . . . . .	<b>60</b>
<b>Opening the Computer Cover</b> . . . . .	<b>61</b>
<b>Looking Inside Your Computer</b> . . . . .	<b>63</b>
System Board . . . . .	64
<b>Adding Cards</b> . . . . .	<b>65</b>
<b>Adding Memory</b> . . . . .	<b>69</b>
<b>Closing the Computer Cover</b> . . . . .	<b>71</b>

## 4 Appendix

<b>Specifications</b> . . . . .	<b>74</b>
<b>Standard Settings</b> . . . . .	<b>78</b>
Viewing Settings . . . . .	79
System Setup Program Screens . . . . .	79
<b>Clearing Forgotten Passwords</b> . . . . .	<b>80</b>
<b>Replacing the Battery</b> . . . . .	<b>81</b>
<b>Dell Technical Support Policy (U.S. Only)</b> . . . . .	<b>82</b>
Definition of "Dell-Installed" Software and Peripherals . . . . .	83
Definition of "Third-Party" Software and Peripherals . . . . .	83
<b>Contacting Dell</b> . . . . .	<b>84</b>
Contact Numbers and Addresses . . . . .	84
Returning Items for Warranty Repair or Credit . . . . .	98
<b>Regulatory Information</b> . . . . .	<b>98</b>
FCC Notices (U.S. Only) . . . . .	100
Battery Disposal . . . . .	102
NOM Information (Mexico Only) . . . . .	103
Información para NOM (únicamente para México) . . . . .	104
<b>Limited Warranties and Return Policy</b> . . . . .	<b>105</b>
One-Year Limited Warranty (U.S. Only) . . . . .	105
Two-Year Limited Warranty (U.S. Only) . . . . .	107
Three-Year Limited Warranty (U.S. Only) . . . . .	111
Four-Year Limited Warranty (U.S. Only) . . . . .	114
One-Year Limited Warranty (Canada Only) . . . . .	117
Two-Year Limited Warranty (Canada Only) . . . . .	119
Three-Year Limited Warranty (Canada Only) . . . . .	122

"Total Satisfaction" Return Policy  
(U.S. and Canada Only) . . . . . 126  
One-Year End-User Manufacturer Guarantee  
(Latin America and the Caribbean Only) . . . . . 127

[Index](#) . . . . . 129





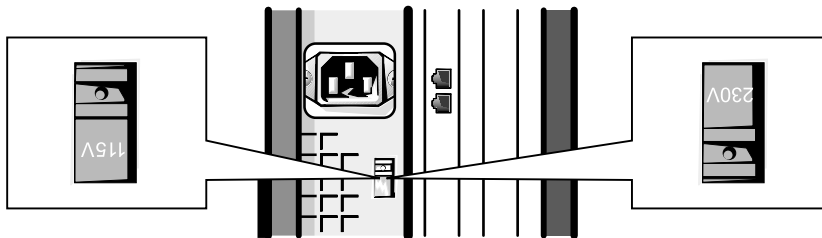
# Safety Instructions

Use the following safety guidelines to protect yourself and your computer.

## When Using Your Computer

**⚠ CAUTION: Do not operate your computer with any cover(s) (including the computer cover, filler brackets, front-panel inserts, and so on) removed or opened.**

- Your computer is equipped with either an auto-sensing voltage selector or a manual voltage-selection switch. Computers with an auto-sensing voltage selector do not have a voltage-selection switch on the back panel and automatically detect the correct operating voltage. Computers with a voltage-selection switch on the back panel must be manually set to operate at the correct operating voltage. To help avoid damaging a computer with a manual voltage-selection switch, be sure that the voltage-selection switch is set to match the AC power available at your location:
  - 115 V/60 Hz in most of North and South America and some Far Eastern countries such as South Korea and Taiwan
  - 100 V/50 Hz in eastern Japan and 100 V/60 Hz in western Japan
  - 230 V/50 Hz in most of Europe, the Middle East, and the Far East



Also be sure that your monitor and attached devices are electrically rated to operate with the AC power available in your location.

- To avoid shorting out your computer when disconnecting a network cable, first unplug the cable from the network adapter on the back of your computer, and then from the network jack. When reconnecting a network cable to your computer, first plug the cable into the network jack, and then into the network adapter.

- To help avoid possible damage to the system board, wait 5 seconds after turning off the computer before disconnecting or connecting a non-USB device from the computer.
- To help prevent electric shock, plug the computer and device power cables into properly grounded power sources. These cables are equipped with 3-prong plugs to help ensure proper grounding. Do not use adapter plugs or remove the grounding prong from a cable. If you must use an extension cable, use a 3-wire cable with properly grounded plugs.
- To help protect your computer from sudden, transient increases and decreases in electrical power, use a surge suppressor, line conditioner, or uninterruptible power supply.
- Be sure that nothing rests on your computer's cables and that the cables are not located where they can be stepped on or tripped over.
- Do not spill food or liquids on your computer. If the computer gets wet, contact Dell (see page 84).
- Do not push any objects into the openings of your computer. Doing so can cause fire or electric shock by shorting out interior components.
- Keep your computer away from radiators and heat sources. Also, do not block cooling vents. Avoid placing loose papers underneath your computer; do not place your computer in a closed-in wall unit or on a bed, sofa, or rug.

### Ergonomic Computing Habits

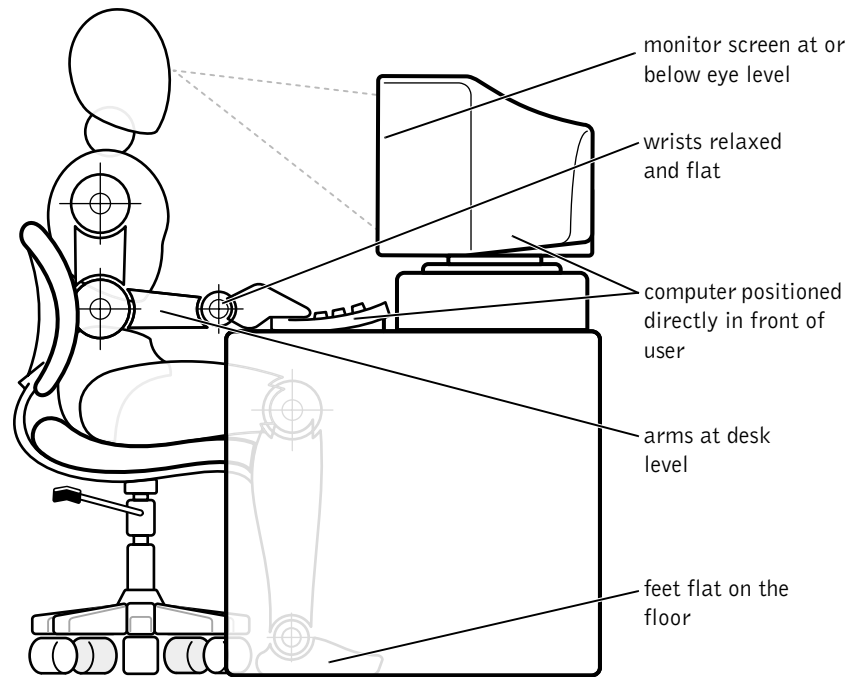
 **CAUTION: Improper or prolonged keyboard use may result in injury.**

 **CAUTION: Viewing the monitor screen for extended periods of time may result in eye strain.**

For comfort and efficiency, observe the following ergonomic guidelines when setting up and using your computer:

- Position your computer so that the monitor and keyboard are directly in front of you as you work. Special shelves are available (from Dell and other sources) to help you correctly position your keyboard.
- Set the monitor at a comfortable viewing distance (usually 510 to 610 millimeters [20 to 24 inches] from your eyes).

- Make sure the monitor screen is at eye level or slightly lower when you are sitting in front of the monitor.
- Adjust the tilt of the monitor, its contrast and brightness settings, and the lighting around you (such as overhead lights, desk lamps, and the curtains or blinds on nearby windows) to minimize reflections and glare on the monitor screen.
- Use a chair that provides good lower back support.
- Keep your forearms horizontal with your wrists in a neutral, comfortable position while using the keyboard or mouse
- Always leave space to rest your hands while using the keyboard or mouse.
- Let your upper arms hang naturally at your sides.
- Sit erect with your feet resting on the floor and your thighs level.
- When sitting, make sure the weight of your legs is on your feet and not on the front of your chair seat. Adjust your chair's height or use a footrest, if necessary, to maintain proper posture.
- Vary your work activities. Try to organize your work so that you do not have to type for extended periods of time. When you stop typing, try to do things that use both hands.



### When Working Inside Your Computer

Before you open the computer cover, perform the following steps in the sequence indicated.

**⚠ CAUTION:** Do not attempt to service the computer yourself, except as explained in this guide and elsewhere in Dell documentation. Always follow installation and service instructions closely.

- 1 Turn off the computer (see page 22).
- 2 Turn off all devices.

- 3 Ground yourself by touching an unpainted metal surface at the back of the computer before touching anything inside your computer.

While you work, periodically touch an unpainted metal surface on the computer to dissipate any static electricity that might harm internal components.

- 4 Disconnect any devices connected to the computer, including the monitor, from their electrical outlets to reduce the potential for personal injury or shock. Also, disconnect any telephone or telecommunication lines from the computer.
- 5 Disconnect the power cable to your computer, and then press the power button to ground the system board.

In addition, take note of these safety guidelines when appropriate:

- When you disconnect a cable, pull on its connector, not on the cable itself. As you pull connectors apart, keep them evenly aligned to avoid bending any pins. Also, before you connect a cable, make sure that both connectors are correctly oriented and aligned.
- Handle components and cards with care. Don't touch the components on a card. Hold a card by its edges or by its metal bracket.



**CAUTION: There is a danger of a new battery exploding if it is incorrectly installed. Replace the battery only with the same or equivalent type recommended by the manufacturer. Discard used batteries according to the manufacturer's instructions.**

## Protecting Against Electrostatic Discharge

To prevent static damage, discharge static electricity from your body before you touch anything inside your computer and periodically while you work inside the computer. You can do so by touching an unpainted metal surface on the back of the computer.

You can also take the following steps to prevent static damage:

- Do not remove items from their antistatic packing material until you are ready to install them in your computer. Just before unwrapping the antistatic packaging, be sure to discharge static electricity from your body.
- When transporting a sensitive component, first place it in an antistatic container or packaging.



SECTION 1
-----------

## Setting Up

Attaching and Removing the Computer Stand

Connecting a Printer

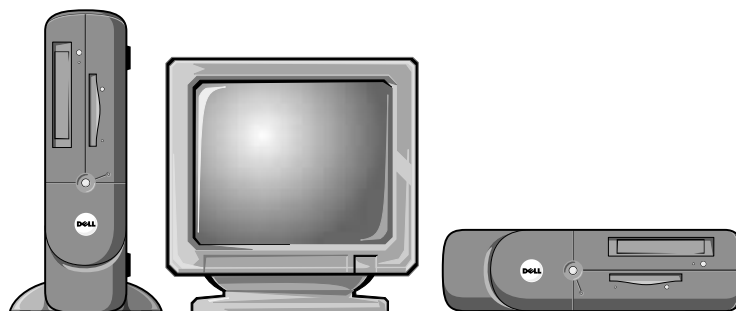
Transferring Information to a New Computer  
(Windows XP only)

Setting Up a Home and Office Network  
(Windows XP only)

Turning Off the Computer

## Attaching and Removing the Computer Stand

The computer can be used in either a vertical or horizontal position.

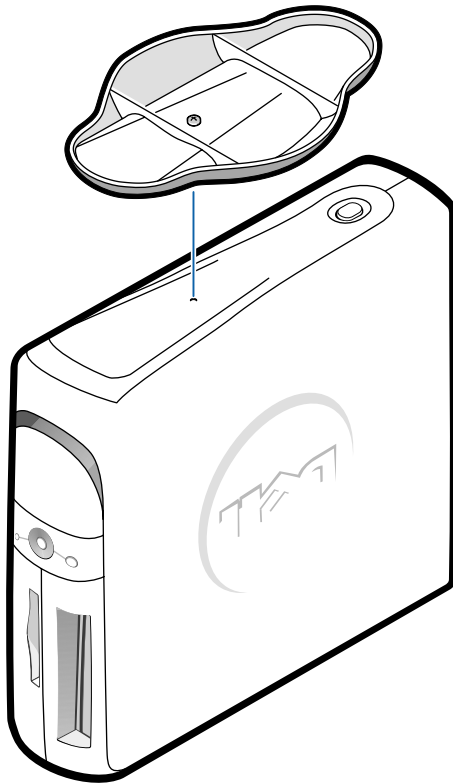


To use the computer in a vertical position, you must attach the computer stand:

- 1 Place the computer on its right side so that the drive bays are at the bottom.



- 2 Fit the stand onto what was the left side of the computer.
  - a Position the stand as shown in the following illustration by aligning the large round hole in the stand with the securing button on the side of the cover and aligning the captive screw in the stand with the screw hole in the cover.
  - b When the stand is in place, tighten the thumbscrew.
- 3 Rotate the computer so that the stand is at the bottom and the drives are at the top.



To remove the computer stand:

- 1 Turn the computer over so that the stand is at the top.
- 2 Loosen the thumbscrew and lift the stand away.
- 3 Place the computer in a horizontal position.

## Connecting a Printer


See the documentation that came with the printer for any recommended preparation procedures, such as:

- Removing the packaging
- Installing the toner or ink cartridge
- Loading paper

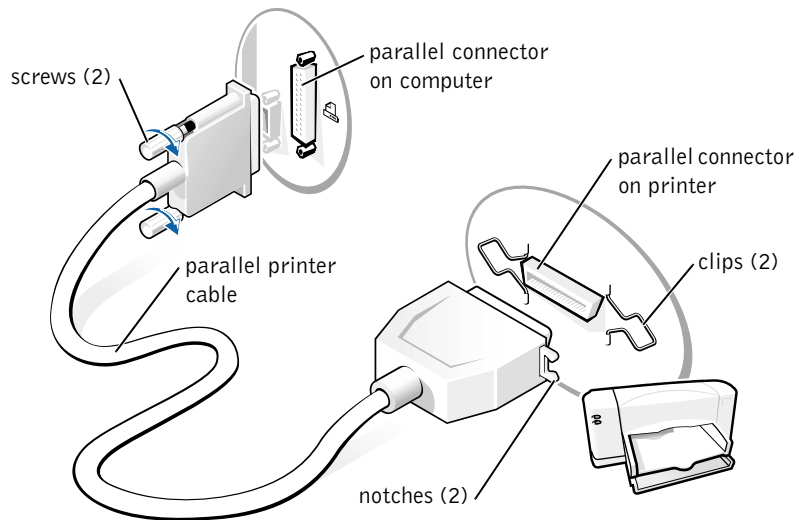
Then follow the instructions that came with the printer to connect it to the computer. If no information is provided, see the following sections.

### Parallel Printer

- 1 Turn off the computer (see page 22).

 **NOTICE:** Use only a standard IEEE parallel cable measuring 3 m (10 ft) or less to connect the printer to the computer. Use of a nonstandard cable may prevent the printer from working.

- 2 Attach the parallel printer cable to the parallel connector on the computer and tighten the two screws. Attach the cable to the parallel connector on the printer and snap the two clips into the two notches.



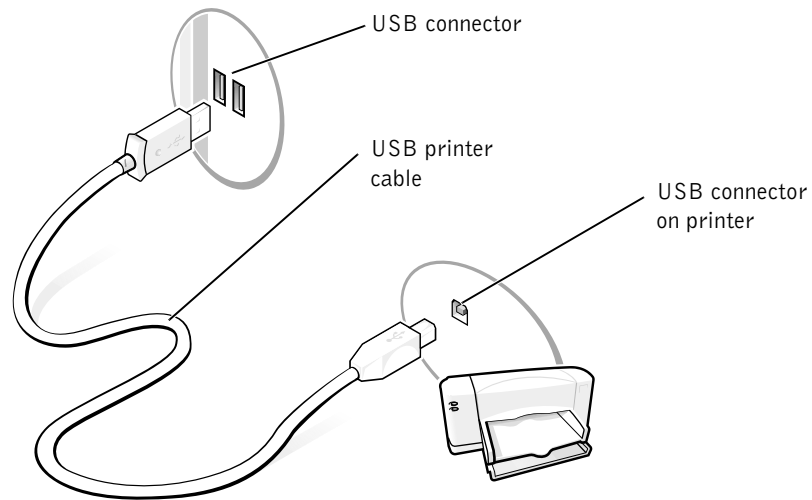
- 3 Turn on the printer and then turn on the computer. If the **Add New Hardware Wizard** window appears, click **Cancel**.
- 4 Install the printer driver if necessary (see "Installing the Printer Driver" on page 20).

**HINT:** You can connect USB devices while the computer is turned on.

**HINT:** Your computer has two USB connectors on the back panel (see page 61) and two USB connectors inside the door on the front panel (see page 60).

## USB Printer

- 1 Install the printer driver if necessary (see the following section).
- 2 Attach the USB printer cable to the USB connector on the computer and the printer. The USB connectors only fit one way.



## Installing the Printer Driver

If you need to install a printer driver, insert the printer installation CD into the CD or DVD drive. Then follow the prompts on the screen using the instructions that came with the printer.

If your printer installation CD does not automatically run, click the **Start** button on the Microsoft® Windows® desktop, click **Run**, and type `x:\setup.exe` (where `x` is the letter of your CD or DVD drive [usually drive D]). Then click **OK** and follow the prompts on your screen. If your printer installation CD still does not run, check the documentation that came with your printer for instructions on how to start the printer installation CD.

If you connect an older printer and it doesn't work after you install the driver, access the system setup program (see page 78) and ensure that the parallel port is set to operate in bidirectional mode.

To check if your printer driver is installed on a computer running the Windows XP operating system, click the **Start** button, click **Control Panel**, click **Printers and Other Hardware**, and then click **View installed printers or fax printers**. If your computer runs Windows 2000, click the **Start** button, point to **Settings**, and then click **Printers**. If your printer is listed in the **Printers** window, the printer is ready to use.

## Transferring Information to a New Computer (Windows XP only)

Windows XP provides a Files and Settings Transfer Wizard to move data, such as e-mails, window sizes, toolbar settings, and Internet bookmarks, from one computer to another. First you collect the data from the source computer, and then you import the data to the new computer.

If the source computer uses another Windows operating system, the wizard can be launched from the Windows XP operating system CD or from a floppy disk created on the Windows XP computer. You may transfer the data to the new computer over a network or serial connection, or you may store it on a removable medium, such as a floppy disk, a Zip disk, or a writable CD.

- 1 On the Windows XP computer, click the **Start** button, point to **All Programs**—> **Accessories**—> **System Tools**, and then click **Files and Settings Transfer Wizard**.
- 2 On the welcome screen, click **Next**.
- 3 On the **Which computer is this?** screen, select **New Computer**, and then click **Next**.
- 4 Follow the instructions on the screen.



**HINT:** The CD that you need to place in your CD or DVD drive is titled *Operating System*.

## Setting Up a Home and Office Network (Windows XP only)

Windows XP provides a Network Setup Wizard to guide you through the process of sharing files, printers, or an Internet connection between computers in a home or small office.

- 1 Click the **Start** button, point to **All Programs**—> **Accessories**—> **Communications**, and then click **Network Setup Wizard**.
- 2 On the welcome screen, click **Next**.
- 3 Click **checklist for creating a network**.
- 4 Complete the checklist and required preparations, and then return to the Network Setup Wizard.
- 5 Follow the instructions on the screen.



**HINT:** Selecting the connection method **This computer connects directly to the Internet** enables the integrated firewall provided with Windows XP.



**HINT:** If you are having difficulty turning off your computer, see "General Program Problems" on page 43.

## Turning Off the Computer



**NOTICE:** To prevent data loss, you must turn off your computer through the **Start** menu rather than by pressing the power button.

### Windows XP

- 1 Save and close any open files and exit any open programs.
- 2 Click the **Start** button and then click **Turn off Computer**.
- 3 Click **Turn off**.

The computer automatically turns off after the shutdown process finishes.

- 4 Turn off your monitor and any other devices connected to power.

### Windows 2000

- 1 Save and exit any programs and files you have open.
- 2 Click the **Start** button, and then click **Shut Down**.
- 3 Click the pull-down menu under **What do you want the computer to do?**

- 4 Click **Shut down** and then click **OK**.

The computer automatically turns off after the shutdown process finishes.

- 5 Turn off your monitor and any other devices connected to power.







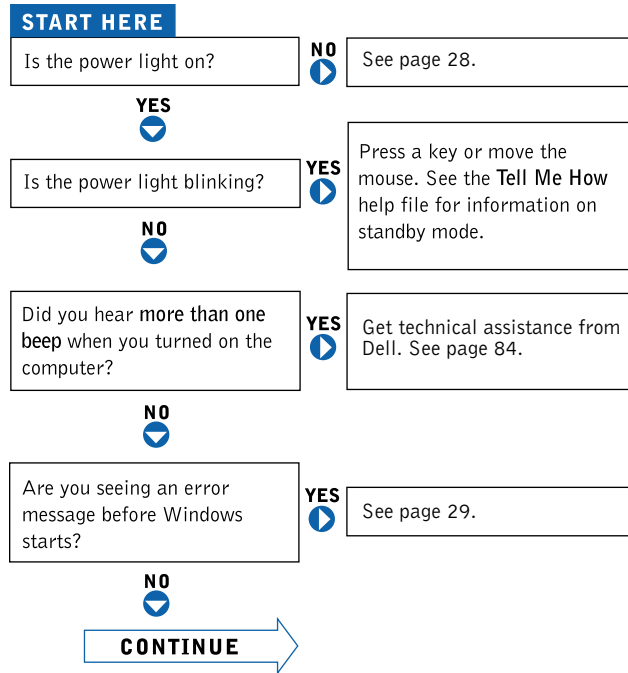
## SECTION 2

## Solving Problems

- Finding Solutions
- Accessing Help Files
- Power Problems
- Start-Up Error Messages
- Video and Monitor Problems
- Sound and Speaker Problems
- Printer Problems
- Scanner Problems
- Modem Problems
- Mouse Problems
- Keyboard Problems
- Drive Problems
- Network Problems
- Microsoft® Windows® Error Messages
- General Program Problems
- Internet Connection Problems
- E-Mail Problems
- Resolving Other Technical Problems
- Reinstalling Drivers
- Resolving Software and Hardware Incompatibilities
- Using System Restore
- Reinstalling Windows XP
- Reinstalling Windows 2000

## Finding Solutions

Sometimes it's difficult to figure out where to go for answers. Use this chart to help you quickly find the answers to your questions.



Are you having a problem with...  <b>NO</b>	▶	video or the monitor?	<b>YES</b> ▶	See page 30.
		sound or the speakers?	<b>YES</b> ▶	See page 32.
		the printer?	<b>YES</b> ▶	See page 33.
		the modem?	<b>YES</b> ▶	See page 36.
		the mouse?	<b>YES</b> ▶	See page 37.
		the keyboard?	<b>YES</b> ▶	See page 38.
		the hard drive or a disk drive?	<b>YES</b> ▶	See page 39.
		the network adapter?	<b>YES</b> ▶	See page 42.
		the scanner?	<b>YES</b> ▶	See page 35.
		Windows error messages?	<b>YES</b> ▶	See page 42.
		a program?	<b>YES</b> ▶	See page 43.
		the Internet?	<b>YES</b> ▶	See page 45.
		your email?	<b>YES</b> ▶	See page 46.
	Are you having some other type of problem?	<b>YES</b> ▶	See page 47.	



## Accessing Help Files

### TO ACCESS THE *Tell Me How* HELP FILE

*Microsoft® Windows® XP*

- 1 Click the **Start** button, and then click **Help and Support**.
- 2 Click **User and system guides**, and then click **User's guides**.
- 3 Click **Tell Me How**.

*Windows 2000*

Click the **Start** button, point to **Programs**, point to **User's Guides**, and then click **Tell Me How**.

### TO ACCESS HELP IN WINDOWS XP

- 1 Click the **Start** button, and then click **Help and Support**.
- 2 Type a word or phrase that describes your problem, and then click the arrow icon.
- 3 Click the topic that describes your problem, and then click **Display**.
- 4 Follow the instructions shown on the screen.

### TO ACCESS HELP IN WINDOWS 2000

- 1 Click the **Start** button, and then click **Help**.
- 2 Click the **Search** tab.
- 3 Type a word or phrase that describes your problem, and then click **List Topics**.
- 4 Click the topic that describes your problem, and then click **Display**.
- 5 Follow the instructions shown on the screen.



**HINT:** See the *Tell Me How* help file for information on the standby mode.

## Power Problems

**CHECK THE POWER LIGHT**—When the power light is lit or blinking, the computer has power. If the power light is blinking, the computer is in standby mode—press a key on the keyboard or move the mouse. If the power light is off, the computer is either not turned on or is not receiving electrical power.

**TEST THE ELECTRICAL OUTLET**—Ensure that the electrical outlet is working by testing it with another device, such as a lamp.

**CHECK THE POWER CABLE CONNECTION**— Be sure that the power cable is firmly inserted into the electrical outlet and the computer power connector.

**CONNECT THE COMPUTER DIRECTLY TO AN ELECTRICAL OUTLET**—

Bypass power protection devices, power strips, and the extension cable to verify that the computer turns on.

**SWAP THE COMPUTER AND MONITOR POWER CABLES**— Swap the computer and monitor power cables to determine if the power cable is defective.

**CHECK FOR INTERFERENCE**— Electrical appliances on the same circuit or operating near the computer can cause interference. Other causes of interference: power extension cables, keyboard and mouse extension cables, too many devices on a power strip, or multiple power strips connected to the same electrical outlet.

**CHECK THE POWER PROPERTIES**— See the *Tell Me How* help file or search for the keyword *standby* in Windows Help. To access help files, see page 28.

## Start-Up Error Messages

**OPERATING SYSTEM NOT FOUND**— Call Dell for technical assistance (see page 84).

**INSERT BOOTABLE MEDIA**— The operating system is trying to boot to a nonbootable floppy disk or CD. Insert a bootable floppy disk or CD.

**NON-SYSTEM DISK ERROR**— There is a floppy disk in the floppy drive. Remove the floppy disk and restart the computer.



**HINT:** See the documentation that come with your monitor for fault indications and troubleshooting procedures specific to your monitor.

## Video and Monitor Problems

### If the screen is blank

**CHECK THE VIDEO CABLE CONNECTION**— Check for bent pins (most video cable connectors have missing pins, but not bent pins). Ensure that the video cable is connected as shown on the *START HERE* sheet for your computer.

**PRESS THE MONITOR POWER BUTTON**— Be sure that you firmly pressed the monitor power button.

**CHECK THE POWER LIGHT**— When the power light is lit or blinking, the monitor has power. If the power light is blinking, press a key on the keyboard or move the mouse.

**TEST THE ELECTRICAL OUTLET**— Ensure that the electrical outlet is working by testing it with another device, such as a lamp.

**SWAP THE COMPUTER AND MONITOR POWER CABLES**— Swap the computer and monitor power cables to determine if the power cable is defective.

**TEST THE VIDEO EXTENSION CABLE (IF USED)**— If you are using a video extension cable and removing the cable solves the problem, the cable is defective.

**TEST THE MONITOR**— If another monitor is available, connect it to the computer.

**CHECK THE BACK PANEL LIGHTS**— If all four lights below the serial connector (see page 61) are not green, call Dell for technical assistance (see page 84).

**CHECK THE POWER PROPERTIES**— See the *Tell Me How* help file or search for the keyword *standby* in Windows Help. To access help files, see page 28.

## If the screen is difficult to read

**ADJUST THE CONTRAST AND BRIGHTNESS**— See the documentation that came with your monitor for instructions on adjusting the contrast and brightness.

**MOVE THE SUBWOOFER AWAY FROM THE MONITOR**— If your speaker system includes a subwoofer, ensure that the subwoofer is at least 2 ft (60 cm) away from the monitor.

**MOVE THE MONITOR AWAY FROM EXTERNAL POWER SOURCES**— Fans, fluorescent lights, halogen lamps, and other electrical devices can cause the screen image to appear “shaky.” Turn off nearby devices to check for interference.

**ROTATE THE MONITOR TO FACE A DIFFERENT DIRECTION**— Eliminate sunlight glare, which can cause poor picture quality.

**DEGAUSS (DEMAGNETIZE) THE MONITOR**— See the documentation that came with your monitor.

**RUN THE MONITOR SELF-TEST**— See the documentation that came with your monitor.

**RESTORE THE RECOMMENDED SETTINGS**— Restore the original resolution and refresh rate settings. See the *Tell Me How* help file for instructions. To access help files, see page 28.

**CHECK FOR ADDITIONAL ADJUSTMENTS**— See the documentation that came with your monitor for any additional adjustments that your monitor may require.





**HINT:** The volume control in some MP3 players overrides the Windows volume setting. If you have been listening to MP3 songs, make sure that you did not turn the player volume down or off.

### ADJUST THE WINDOWS DISPLAY SETTINGS

#### *Windows XP*

- 1 Click the **Start** button, and then click **Control Panel**.
- 2 Click **Appearance and Themes**.
- 3 Click **Display**, and then click the **Settings** tab.
- 4 Try different settings for **Screen resolution** and **Color quality**.

#### *Windows 2000*

- 1 Click the **Start** button, point to **Settings**, and then click **Control Panel**.
- 2 Double-click the **Display** icon, and then click the **Settings** tab.
- 3 Try different settings for **Colors** and **Screen area**.

**CHECK FOR INTERRUPT REQUEST CONFLICTS**— See page 50.

## Sound and Speaker Problems

**ENSURE THAT THE SUBWOOFER AND THE SPEAKERS ARE TURNED ON**— See the setup diagram supplied with the speakers.

**ADJUST THE SPEAKER CONTROLS**— If your speakers have volume controls, adjust the volume, bass, or treble to eliminate distortion.

**VERIFY THE SPEAKER CABLE CONNECTIONS**— Ensure that the speakers are connected as shown on the *START HERE* sheet for your computer and the setup diagram supplied with the speakers.

**BE SURE THAT HEADPHONES ARE NOT CONNECTED TO THE FRONT-PANEL HEADPHONE JACK**— Sound from the speakers is automatically disabled when headphones are connected to the computer's front-panel headphone jack.

**ADJUST THE WINDOWS VOLUME CONTROL**— In Windows XP, click the speaker icon in the lower-right corner of your screen. In Windows 2000, double-click the speaker icon in the lower-right corner of your screen. Be sure that the volume is turned up and that the sound is not muted.



**RUN THE SPEAKER DIAGNOSTICS**—Some speaker systems have self-contained diagnostics. See the speaker documentation for diagnostics instructions.

**ELIMINATE POSSIBLE INTERFERENCE**—Turn off nearby fans, fluorescent lights, or halogen lamps to check for interference.

**TEST THE ELECTRICAL OUTLET**—Ensure that the electrical outlet is working by testing it with another device, such as a lamp.

**REINSTALL THE SOUND (AUDIO) DRIVER**—See page 47.


**CHECK FOR INTERRUPT REQUEST CONFLICTS**—See page 50.


## Printer Problems

### If you cannot print to a parallel port printer

**VERIFY THE PRINTER CABLE CONNECTIONS**—Ensure that the printer cable is connected as described on page 18.

**ENSURE THAT THE PRINTER IS TURNED ON**—See the documentation supplied with the printer.



 **HINT:** If you need technical assistance for your printer, call the printer's manufacturer (see the documentation that came with the printer for the correct phone number). Dell does not cover the printer's warranty.

#### VERIFY THAT THE PRINTER IS RECOGNIZED BY WINDOWS

##### *Windows XP*

- 1 Click the **Start** button.
- 2 Click **Control Panel**.
- 3 Click **Printers and Other Hardware**.
- 4 Click **View installed printers or fax printers**. If the printer is listed, right-click the printer icon.
- 5 Click **Properties**, and then select the **Ports** tab. Ensure that the **Print to the following port(s)**: setting is **LPT1 (Printer Port)**.

##### *Windows 2000*

- 1 Click the **Start** button, point to **Settings**, and then click **Printers**. If the printer is listed, right-click the printer icon.
- 2 Click **Properties**, and then select the **Ports** tab. Ensure that the **Print to the following port(s)**: setting is **LPT1 (Printer Port)**.

**TEST THE ELECTRICAL OUTLET**— Ensure that the electrical outlet is working by testing it with another device, such as a lamp.

**REINSTALL THE PRINTER DRIVER**— See page 20.

**CHECK FOR INTERRUPT REQUEST CONFLICTS**— See page 50.

### If you cannot print to a USB printer

**VERIFY THE PRINTER CABLE CONNECTIONS**— Ensure that the printer cable is connected as described on page 20.

**ENSURE THAT THE PRINTER IS TURNED ON**— See the documentation supplied with the printer.

## VERIFY THAT THE PRINTER IS RECOGNIZED BY WINDOWS

### Windows XP

- 1 Click the **Start** button.
- 2 Click **Control Panel**.
- 3 Click **Printers and Other Hardware**.
- 4 Click **View installed printers or fax printers**. If the printer is listed, right-click the printer name.
- 5 Click **Properties**, and then select the **Ports** tab. Ensure that the **Print to the following port(s)**: setting is **USB**.

### Windows 2000

- 1 Click the **Start** button, point to **Settings**, and then click **Printers**. If the printer is listed, right-click the printer icon.
- 2 Click **Properties**, and then select the **Ports** tab. Ensure that the **Print to the following port(s)**: setting is **USB**.

**TEST THE ELECTRICAL OUTLET**— Ensure that the electrical outlet is working by testing it with another device, such as a lamp.

**REINSTALL THE PRINTER DRIVER**— See page 20.


**CHECK FOR INTERRUPT REQUEST CONFLICTS**— See page 50.

## Scanner Problems

**CHECK THE POWER CABLE CONNECTION**— If your scanner has a power cable, ensure that the power cable is firmly connected to a working electrical power source and that the scanner is turned on.

**CHECK THE SCANNER CABLE CONNECTION**— Ensure that the scanner cable is firmly connected to the computer and to the scanner.

**UNLOCK THE SCANNER**— Ensure that your scanner is unlocked if it has a locking tab or button.

 **HINT:** If you need technical assistance for your scanner, call the scanner's manufacturer (see the documentation that came with the scanner for the correct phone number). Dell does not cover the scanner's warranty.



**HINT:** Connect the modem to an analog telephone jack only. The modem does not operate while it is connected to a digital telephone network.

**REINSTALL THE SCANNER DRIVER**—Reinstall the scanner driver. See the scanner documentation for instructions.

**CHECK FOR INTERRUPT REQUEST CONFLICTS**—See page 50.

## Modem Problems

**CHECK THE CONNECTION**—Verify that the telephone line is connected to the green jack on the modem. (The green line-in jack has either a LINE IN label or a connector-shaped icon next to it.) Make sure you hear a click when you insert the telephone line connector.

**CHECK THE TELEPHONE JACK**—Disconnect the telephone line from the modem and connect it to a telephone. Listen for a dial tone.

**CONNECT THE MODEM DIRECTLY TO THE TELEPHONE WALL JACK**—If you have other telephone devices sharing the line, such as an answering machine, fax machine, surge protector, or line splitter, then bypass them and connect the modem directly to the telephone wall jack with the telephone line.

**CHECK THE TELEPHONE LINE**—Try using a different telephone line. If you are using a line that is 10 ft (3 m) or more in length, try a shorter one.

### VERIFY THAT THE MODEM IS COMMUNICATING WITH WINDOWS

#### Windows XP

- 1 Click the **Start** button.
- 2 Click **Control Panel**.
- 3 Click **Network and Internet Connections**.
- 4 Click **Internet Options**.
- 5 Click **Network Diagnostics** and perform the connectivity test.

#### Windows 2000

- 1 Click the **Start** button, point to **Settings**, and then click **Control Panel**.
- 2 Double-click **Phone and Modems**.  
If multiple entries for the same modem or modems are listed but not installed, delete the entries, restart the computer, and repeat steps 1 and 2.
- 3 Click the **Modems** tab.
- 4 Click the COM port for your modem.
- 5 Click **Properties**, click the **Diagnostics** tab, and then click **Query Modem** to verify that the modem is communicating with Windows.  
If all commands receive responses, the modem is operating properly.

**BE SURE THAT YOU HAVE SUBSCRIBED TO AN INTERNET SERVICE PROVIDER**—Contact an Internet service provider to subscribe.

**CHECK FOR INTERRUPT REQUEST CONFLICTS**—See page 50.

## Mouse Problems

### IF YOU CONNECTED THE MOUSE BEFORE TURNING ON THE COMPUTER, RECONNECT THE MOUSE CABLE

- 1 Press <Ctrl><Esc> to display the **Start** menu.
- 2 In Windows XP, type u, and then type u again. In Windows 2000, press the keyboard arrow keys to highlight **Shut Down**, and then press <Enter>.
- 3 After the computer turns off, reconnect the mouse cable as shown on the *START HERE* sheet for your computer.
- 4 Start the computer.

**IF YOU CONNECTED THE MOUSE AFTER TURNING ON THE COMPUTER, REMOVE THE POWER CABLE, AND THEN RECONNECT THE MOUSE CABLE**

— If the mouse is connected after the power is turned on, the mouse will appear to be nonfunctional. To make the mouse function properly:

- 1 While your computer is on, remove the power cable from the back of the computer.
- 2 Connect the mouse to the computer.
- 3 Reconnect the power cable.
- 4 Turn on your computer.

Pressing the power button does not clear the computer's settings and does not restore mouse functionality.

**CHECK THE MOUSE SETTINGS**

*Windows XP*

- 1 Click the **Start** button, click **Control Panel**, and then click **Printers and Other Hardware**.
- 2 Click **Mouse**.  
Try adjusting the settings.

*Windows 2000*

- 1 Click the **Start** button, point to **Settings**, and then click **Control Panel**.
- 2 Double-click the **Mouse** icon.  
Try adjusting the settings.

**CHECK FOR INTERRUPT REQUEST CONFLICTS**— See page 50.

## Keyboard Problems

**RECONNECT THE KEYBOARD CABLE**— Shut down the computer (see page 22), reconnect the keyboard cable as shown on the *START HERE* sheet for your computer, and then restart the computer.

**CHECK FOR INTERRUPT REQUEST CONFLICTS**— See page 50.

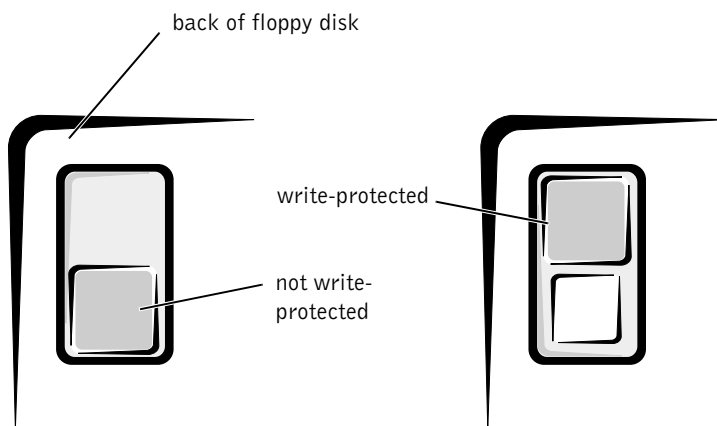
## Drive Problems

### If you cannot save a file to a floppy disk

**ENSURE THAT WINDOWS RECOGNIZES THE DRIVE**— In Windows XP, Click the **Start** button, and then click **My Computer**. In Windows 2000, double-click the **My Computer** icon on the Windows desktop. If the floppy drive is not listed, perform a full scan with your antivirus software to check for and remove viruses. Viruses can sometimes prevent Windows from recognizing the drive.

**TEST THE DRIVE WITH ANOTHER FLOPPY DISK**— Insert another floppy disk to eliminate the possibility that the original floppy disk is defective.

**CANNOT SAVE FILES TO A FLOPPY DISK**— Ensure that the floppy disk is not full or write-protected (locked). See the following illustration.





**HINT:** High-speed CD drive vibration is normal and may cause noise. This does not indicate a defect in the drive or the CD.

## If you cannot play a music CD or install a program from a CD

**ENSURE THAT WINDOWS RECOGNIZES THE DRIVE**— In Windows XP, click the speaker icon in the lower-right corner of your screen. In Windows 2000, double-click the speaker icon in the lower-right corner of your screen. If the floppy drive is not listed, perform a full scan with your antivirus software to check for and remove viruses. Viruses can sometimes prevent Windows from recognizing the drive.

**TEST THE DRIVE WITH ANOTHER CD**— Insert another CD to eliminate the possibility that the original CD is defective.

**CLEAN THE DISC**— See the *Tell Me How* help file for instructions. To access help files, see page 28.

**ADJUST THE WINDOWS VOLUME CONTROL**— In Windows XP, click the gray speaker icon in the lower-right corner of your screen. In Windows 2000, double-click the yellow speaker icon in the lower-right corner of your screen. Be sure that the volume is turned up and that the sound is not muted.

**IF HEADPHONES ARE CONNECTED TO THE FRONT-PANEL HEADPHONE JACK, CHECK FOR SOUND FROM THE HEADPHONES**— Sound from the speakers is automatically disabled when headphones are connected to the computer's front-panel headphone jack.

**CHECK FOR INTERRUPT REQUEST CONFLICTS**— See page 50.

## If you cannot play a DVD movie



**HINT:** Because of different worldwide file types, not all DVD titles work in all DVD drives.

**ENSURE THAT WINDOWS RECOGNIZES THE DRIVE**— In Windows XP, Click the **Start** button, and then click **My Computer**. In Windows 2000, double-click the **My Computer** icon on the Windows desktop. If the floppy drive is not listed, perform a full scan with your antivirus software to check for and remove viruses. Viruses can sometimes prevent Windows from recognizing the drive.



**TEST THE DRIVE WITH ANOTHER DVD**—Insert another DVD to eliminate the possibility that the original DVD is defective.

**CLEAN THE DISC**—See the *Tell Me How* help file for instructions.

### If the CD-RW drive stops writing

**TURN OFF STANDBY IN WINDOWS BEFORE WRITING TO A CD-RW DISC**—See the *Tell Me How* help file or search for the keyword *standby* in *Help and Support (Help* in Windows 2000). To access help files, see page 28.


**CHANGE THE WRITE SPEED TO A SLOWER RATE**—The CD-RW drive must receive a steady stream of data when writing. If the stream is interrupted, an error occurs. Closing all programs before writing to the CD-RW may also alleviate the problem.

### If you have a hard drive problem

#### **RUN SCANDISK**

- 1** In Windows XP click the **Start** button, and then click **My Computer**. In Windows 2000 double-click the **My Computer** icon on the Windows desktop.
- 2** Right-click on the drive letter (local disk) that you want to scan for errors, and then click **Properties**.
- 3** Click the **Tools** tab.
- 4** Under Error-checking, click **Check Now**.
- 5** Click **Start**.

**CHECK FOR INTERRUPT REQUEST CONFLICTS**—See page 50.

 **HINT:** If you disable standby mode to write to a CD-RW drive, remember to reenable standby mode when you finish writing to the CD.

## Network Problems

**CHECK THE NETWORK CABLE CONNECTOR**—Ensure that the network cable connector is firmly connected to the connector on the computer and the network wall jack as shown on the *START HERE* sheet for your computer.

**CHECK THE NETWORK LIGHTS ON THE BACK OF THE COMPUTER**—A green light indicates a 10-Mbps network connection, and an orange light indicates a 100-Mbps network connection. The light blinks amber when there is any network traffic. If the light is dark, try replacing the network cable.

**RESTART THE COMPUTER**—Try to log on to the network again.

**CONTACT YOUR NETWORK ADMINISTRATOR**—Verify that your network settings are correct and that the network is functioning.

**CHECK FOR INTERRUPT REQUEST CONFLICTS**—See page 50.

## Microsoft® Windows® Error Messages

**x:\ IS NOT ACCESSIBLE. THE DEVICE IS NOT READY**—Insert a disk into the drive and try again.

**A FILENAME CANNOT CONTAIN ANY OF THE FOLLOWING CHARACTERS: \ / : \* ? " < > |**—Do not use these characters in filenames.

**NOT ENOUGH MEMORY OR RESOURCES. CLOSE SOME PROGRAMS AND TRY AGAIN**—You have too many programs open. Close all windows and open the program that you want to use. In some cases, you might have to restart your computer to restore computer resources. If so, try running the program that you want to use first.

**THE FILE BEING COPIED IS TOO LARGE FOR THE DESTINATION DRIVE**—The file that you are trying to copy is too large to fit on the disk. Try copying the file to a blank disk or use a larger-capacity disk.

**A REQUIRED .DLL FILE WAS NOT FOUND**—The program that you are trying to open is missing an essential file. To remove and then reinstall the program:

*Windows XP*

- 1 Click the **Start** button.
- 2 Click **Control Panel**.
- 3 Click **Add or Remove Programs**.
- 4 Select the program you want to remove.
- 5 Click the **Change or Remove Program** icon.
- 6 See the program documentation for installation instructions.

*Windows 2000*

- 1 Click the **Start** button, point to **Settings**, and then click **Control Panel**.
- 2 Double-click the **Add/Remove Programs** icon.
- 3 Select the program that you want to remove.
- 4 Click **Change/Remove** and follow the prompts on the screen.
- 5 See the program documentation for installation instructions.

## General Program Problems


### A program crashes

**SEE THE SOFTWARE DOCUMENTATION**—Many software manufacturers maintain websites with information that may help you to solve the problem.

## A program stops responding


### END THE PROGRAM

- 1 Simultaneously press <Ctrl><Shift><Esc>.
- 2 Click the **Applications** tab, and then select the program that is no longer responding.
- 3 Click the **End Task** button.

 **HINT:** ScanDisk may run when you restart the computer. Follow the instructions on the screen.

## A program error causes the system to lock up

**TURN THE COMPUTER OFF**— If your computer locks up and you are unable to get a response by pressing a key on your keyboard or moving your mouse, press and hold the power button for at least 8 to 10 seconds until the computer turns off. Then press the power button again to turn on the computer. You might lose data if you are unable to perform a Microsoft Windows shutdown.

 **HINT:** ScanDisk may run when you restart the computer. Follow the instructions on the screen.

## A solid blue screen appears

**TURN THE COMPUTER OFF**— If your computer locks up and you are unable to get a response by pressing a key on your keyboard or moving your mouse, press and hold the power button for at least 8 to 10 seconds until the computer turns off. Then press the power button again to turn on the computer. The solid blue screen appears because you were not able to perform a proper Windows shutdown. You might lose data if you are unable to perform a Microsoft Windows shutdown.

## A program is designed for an earlier Windows operating system

### **RUN THE PROGRAM COMPATIBILITY WIZARD**

Windows XP provides a Program Compatibility Wizard that configures a program to run in an environment more similar to older Windows operating system environments.

- 1** Click the **Start** button, point to **All Programs**—> **Accessories**, and then click **Program Compatibility Wizard**.
- 2** On the welcome screen, click **Next**.

Follow the instructions on the screen.

## Internet Connection Problems

### If you have a problem with your Internet connection

**REVIEW “MODEM PROBLEMS”**— See page 36.

**TURN OFF CALL WAITING (CATCH-PHONE)**— See your telephone directory for instructions on deactivating this feature. Then adjust the dial-up networking connection properties.

#### *Windows XP*

- 1 Click the **Start** button, and then click **Control Panel**.
- 2 Click **Printers and Other Hardware**, and then click **Phone and Modem Options**.
- 3 Click to highlight your connection type in the displayed list.
- 4 Click the **Dialing Rules** tab, and then click the **Edit** button.
- 5 Click to place a checkmark in the **To Disable Call Waiting** box.
- 6 Select the disable code from the drop down menu (for example, \*70).
- 7 Click **Apply**, and then click **OK**.

#### *Windows 2000*

- 1 Click the **Start** button, point to **Settings**, and then click **Control Panel**.
- 2 Double-click the **Phone and Modems Options** icon.
- 3 In the **Locations** window, select the location for which you want to disable call waiting, and then click **Edit**.
- 4 Ensure that **To disable call waiting, dial:** is checked and then select the proper code according to the information in your telephone directory.
- 5 Click **Apply** and then click **OK**.
- 6 Close the **Phone and Modems Options** window.
- 7 Close the **Control Panel**.

**BE SURE THAT YOU HAVE SUBSCRIBED TO AN INTERNET SERVICE PROVIDER**— Contact an Internet service provider to subscribe.

**CONTACT YOUR INTERNET SERVICE PROVIDER**— Contact your Internet service provider for assistance.

## E-Mail Problems

**ENSURE THAT YOU ARE CONNECTED TO THE INTERNET**— With the Outlook Express e-mail program open, click **File**. If **Work Offline** has a check next to it, click the check to remove it and connect to the Internet.

**CONTACT YOUR INTERNET SERVICE PROVIDER**— Contact your Internet service provider for assistance.


## Resolving Other Technical Problems

**GO TO THE DELL SUPPORT WEBSITE**— Go to <http://support.dell.com> for help with general usage, installation, and troubleshooting questions. See "Dell Technical Support Policy" on page 82 for a description of the hardware and software support provided by Dell.

**E-MAIL DELL**— Go to <http://support.dell.com>, and then click **E-Mail Dell** in the **Communicate** list. Send an e-mail message to Dell about your problem; you can expect to receive an e-mail message from Dell within hours. See "Dell Technical Support Policy" on page 82 for a description of the hardware and software support provided by Dell.

**CALL DELL**— If you cannot solve your problem using the Dell support website or e-mail service, call Dell for technical assistance (see page 84). See "Dell Technical Support Policy" on page 82 for a description of the hardware and software support provided by Dell.

## Reinstalling Drivers

 **NOTICE:** The Dell support website, <http://support.dell.com>, and the *Dell Dimension ResourceCD* provide approved drivers for Dell™ computers. If you install drivers obtained from other sources, your computer might not work correctly.

Dell installed the following drivers on your computer:

- **Intel® Chip Set Update Utility Driver** — Installs the Microsoft Windows operating system device installation files (.inf) that tell the operating system how certain chip set components should be configured for proper operation.
- **ADI AC-97 Audio Codec Driver** — Enables the optional built-in sound controller to produce sound.

- **Yamaha Wavetable Driver** — Enables the optional built-in sound controller to produce sound.
- **Intel Ultra ATA Storage Driver** — Improves your computer's performance by transferring certain functions from the microprocessor during data transfers from storage devices.
- **Other Drivers** — Control the devices such as the modem and network cards that might be installed in your computer. For information on other drivers on computers running Windows XP, click the **Start** button, click **Help and Support**, click **User and system guides**, and then click **Device guides**. Click the appropriate guide from the list. For information on other drivers on computers running Windows 2000, click the **Start** button, point to **Programs—> User's Guides**, and click the appropriate guide from the list.

Sometimes you can fix a device problem by reinstalling its driver:

- 1 From the Windows desktop, insert the *Dell Dimension ResourceCD* into the CD or DVD drive.  
  
If this is your first time to use the *ResourceCD*, go to step 2. If not, go to step 5.
- 2 When the **ResourceCD Installation** program starts, follow the prompts on the screen.
- 3 When the **InstallShield Wizard Complete** window appears, remove the *ResourceCD* and click **Finish** to restart the computer.
- 4 When you see the Windows desktop, reinsert the *ResourceCD* into the CD or DVD drive.
- 5 At the **Welcome Dell System Owner** screen, click **Next**.

A message appears that says the *ResourceCD* is detecting hardware in your computer.

The drivers that are used by your computer are automatically displayed in the **My Drivers—The ResourceCD has identified these components in your system** window.




- 6 Click the driver that you want to reinstall and follow the instructions on the screen.

If a particular driver is not listed, then that driver is not required by your operating system.


To view other contents on the *ResourceCD*:

- 1 Verify that your computer is selected in the **System Model** list.
- 2 Verify that your operating system is selected in the **Operating System** list.
- 3 Select the type of device in the **Device Type** list.

 **NOTICE:** The *ResourceCD* contains drivers for devices that are not part of your computer. Only reinstall the specific drivers for hardware included in your computer. Otherwise, your computer might not work correctly.

- 4 Select a topic in the **Topic** list.

If you select **Drivers** in the **Topic** list and a particular driver is not listed, then that driver is not required by your operating system.

 **HINT:** The *ResourceCD* displays drivers only for hardware that Dell installed at the time of purchase. If you installed any additional hardware, those drivers may not be displayed by the *ResourceCD*. If those drivers are not displayed, exit the *ResourceCD* program and refer to the documentation and drivers that came with that product.

## Using the Windows XP Device Driver Rollback

The Windows XP Device Driver Rollback can replace a device driver with the previously installed version if you install a new device driver that causes system instability. If you cannot reinstall your previous driver with the Driver Rollback process, then use System Restore (see page 52) to attempt to return your operating system to its previous operating state before the new device driver installation:

- 1 Click the **Start** button, and then right-click **My Computer**.
- 2 Click **Properties**.
- 3 Click the **Hardware** tab, and then click **Device Manager**.
- 4 In the **Device Manager** window, right-click the device for which the new driver was installed, and then click **Properties**.
- 5 Click the **Drivers** tab.
- 6 Click **Roll Back Driver**.

## Resolving Software and Hardware Incompatibilities

Windows XP and Windows 2000 IRQ conflicts occur if a device either is not detected during the operating system setup or is detected but incorrectly configured.

### Windows XP

To check for conflicts on a computer running Windows XP:

- 1 Click the **Start** button, and then click **Control Panel**.
- 2 Click **Performance and Maintenance**, and then click **System**.
- 3 Click the **Hardware** tab, and then click the **Device Manager** button.
- 4 In the **Device Manager** list, check for conflicts with the other devices.

Conflicts are indicated by a yellow exclamation point (!) beside the conflicting device or a red x if the device has been disabled.

- 5 Double-click any conflicting device listed to bring up the **Properties** window so you can determine what needs to be reconfigured or removed from the **Device Manager**.

Resolve these conflicts before checking specific devices.

- 6 Double-click the malfunctioning device type in the **Device Manager** list.
- 7 Double-click the icon for the specific device in the expanded list.

The **Properties** window appears.

- 8 Resolve any IRQ conflicts.

If there is an IRQ conflict, the **Device** status area in the **Properties** window reports what cards or devices are sharing the device's IRQ.

You can also use the Windows XP Hardware Troubleshooter. To use the troubleshooter, click the **Start** button and click **Help and Support**. Type `hardware troubleshooter` in the **Search** field, and then click the arrow to start the search. Click **Hardware Troubleshooter** in the Search Results list. In the **Hardware Troubleshooter** list, click **I need to resolve a hardware conflict on my computer**, and then click **Next**.

## Windows 2000

To check for conflicts on a computer running Windows 2000:

- 1 Click the **Start** button, point to **Settings**, and click **Control Panel**.
- 2 In the **Control Panel**, double-click **System**.
- 3 Click the **Hardware** tab.
- 4 Click **Device Manager**.
- 5 Click **View**, and then click **Resources by connection**.
- 6 Double-click **Interrupt request (IRQ)** to view the IRQ assignments.  
Conflicts are indicated by a yellow exclamation point (!) beside the conflicting device or a red x if the device has been disabled.
- 7 Double-click any conflicting device listed to bring up the **Properties** window so you can determine what needs to be reconfigured or removed from the **Device Manager**. Resolve these conflicts before checking specific devices.
- 8 Double-click the malfunctioning device type in the **Device Manager** list.
- 9 Double-click the icon for the specific device in the expanded list.  
The **Properties** window appears.
- 10 If there is an IRQ conflict, the **Device status** area in the **Properties** window reports what cards or devices are sharing the device's IRQ. Resolve the IRQ conflicts.

You can also use the Windows 2000 Hardware Troubleshooter. To use the troubleshooter, click the **Start** button and click **Help**. Click **Troubleshooting and Maintenance** on the **Contents** tab, click **Windows 2000 troubleshooters**, and then click **Hardware**. In the **Hardware Troubleshooter** list, click **I need to resolve a hardware conflict on my computer**, and then click **Next**.


## Using System Restore

Windows XP provides a System Restore feature that allows you to return your computer to an earlier operating state if changes to the computer's hardware or software (including new hardware or program installations), or other system settings, have left the computer in an undesirable operating state. You can also undo the last System Restore.

System Restore automatically creates system checkpoints. You can also manually create your own checkpoints by creating Restore Points. To limit the amount of hard disk space used, older restore points will be automatically purged.

If your computer experiences an operating system problem, you can use System Restore from Safe Mode or Normal Mode to return your computer to an earlier operating state.

System Restore does not cause you to lose personal files stored in the **My Documents** folder, data files, or e-mail messages after restoring the computer to an earlier time. If you restore the computer to a point before you installed a program, the program's data files won't be lost, but you will have to reinstall the actual program again.

 **NOTICE:** It is important to make regular backups of your data files. System Restore does not monitor changes to or recover your data files. If the original data on the hard disk is accidentally erased or overwritten, or becomes inaccessible because of a hard disk malfunction, you will need your backup files to recover the lost or damaged data.

System Restore is enabled on your new computer. However, if you reinstall Windows XP with less than 200 MB of free hard-disk space available, System Restore is automatically disabled. To see if System Restore is enabled:

- 1 Click the **Start** button, and then click **Control Panel**.
- 2 Click **Performance and Maintenance**.
- 3 Click **System**.
- 4 Click the **System Restore** tab.
- 5 Make sure that **Turn off System Restore** is unchecked.

Before proceeding with any System Restore function, Dell recommends that you thoroughly read Microsoft's information about using System Restore. To access this information:

- 1 Click the **Start** button, point to **All Programs—> Accessories—> System Tools**, and then click **System Restore**.
- 2 Click **Help** in the upper-right corner of the **Welcome to System Restore** screen.

## Creating a Restore Point

### Using the XP System Restore Wizard

In Windows XP you can manually create restore points or you can use the System Restore Wizard to create the restore points for you. To use the System Restore Wizard, click the **Start** button, click **Help and Support**, click **System Restore**, and then follow the instructions on the screen. You can also create and name a restore point if you are logged on as the computer administrator or a user with administrator rights.

### Manually Creating the Restore Points


- 1 Click the **Start** button, point to **All Programs—> Accessories—> System Tools**, and then click **System Restore**.
- 2 Click **Create a restore point**.
- 3 Click **Next**.
- 4 Type a name for your new restore point in the **Restore point description** field.

The present date and time are automatically added to your restore point.

- 5 Click **Create**.
- 6 Click **OK**.

## Restoring the Computer to an Earlier Operating State

If problems occur after installing a device driver, first try using Device Driver Rollback (see page 49). If that is unsuccessful, then use System Restore.


 **NOTICE:** Before restoring the computer to an earlier time, save and close all open files and close all open programs. Do not alter, open, or delete any files or programs until the system restoration is complete.

- 1 Click the **Start** button, point to **All Programs**—> **Accessories**—> **System Tools**, and then click **System Restore**.
- 2 Be sure **Restore my computer to an earlier time** is selected, and then click **Next**.
- 3 Click a calendar date to which you want to restore your computer.

The **Select a Restore Point** screen provides a calendar that allows you to see and select restore points. All calendar dates with available restore points appear in bold.

- 4 Select a restore point, and then click **Next**.

If a calendar date has only one restore point, then that restore point is automatically selected. If two or more restore points are available, click the restore point that you want to use.

 **NOTICE:** Save and close all open files and close all open programs. Do not alter, open, or delete any files or programs until the system restoration is complete.

- 5 Click **Next**.

The **Restoration Complete** screen appears after System Restore completes collecting data, and then the computer automatically restarts.

- 6 After the computer restarts, click **OK**.

To change the restore point, you can either repeat the steps using a different restore point, or you can undo the restoration.


## Undoing the Last System Restore

- ➔ **NOTICE:** Before undoing the last system restore, save and close all open files and close all open programs. Do not alter, open, or delete any files or programs until the system restoration is complete.
- 1 Click the **Start** button, point to **All Programs**—> **Accessories**—> **System Tools**, and then click **System Restore**.
- 2 Select **Undo my last restoration** and click **Next**.
- ➔ **NOTICE:** Save and close all open files and close all open programs. Do not alter, open, or delete any files or programs until the system restoration is complete.
- 3 Click **Next**.
- 4 The **System Restore** screen appears, and then the computer automatically restarts.
- 5 After the computer restarts, click **OK**.

## Reinstalling Windows XP

Before reinstalling the Windows XP operating system to correct a problem, try correcting the problem by performing a Windows XP System Restore (see page 52).

- ➔ **NOTICE:** The *Operating System* CD provides options for reinstalling your Windows XP operating system. The options can potentially overwrite files installed by Dell and possibly affect programs installed on your hard drive. Therefore, Dell does not recommend that you reinstall your operating system unless instructed to do so by a Dell technical support representative.
- ➔ **NOTICE:** To prevent conflicts with Windows XP, you must disable any virus protection software installed on your computer before you reinstall Windows XP.
- 1 Insert the *Operating System* CD into the CD or DVD drive.  
Close any program or utility that may start to run after you insert the CD into the drive.
- 2 Turn off the computer (see page 22), and then turn the computer on again.


 **HINT:** The CD that you need to place in your CD or DVD drive is titled *Operating System*.


- 3** When the blue Dell logo appears, press <F12> immediately.  
If you wait too long and the operating system logo appears, continue to wait until you see the Microsoft Windows desktop. Then shut down the computer and try again.
- 4** Use the arrow keys to select the CD-ROM option, and then press <Enter>.
- 5** When the **Windows XP Setup** screen appears, press <Enter> to select **To set up Windows now**.
- 6** Read the information in the **License Agreement** window, and then press <F8> on your keyboard to agree with the license information.
- 7** If your computer already has Windows XP installed and you want to recover your current Windows XP data, type **R** to select the repair option, and then go to step 15.  
If you want to install a new copy of Windows XP, press <Esc> to select the fresh copy option, and then press <Enter> on the next screen to select the highlighted partition (recommended). Then follow the instructions on the screen.
- 8** The **Windows XP Setup** screen appears and Windows XP begins to copy files and install the devices. The computer automatically restarts multiple times before it requires additional input.
- 9** When the **Welcome to Microsoft** screen appears, click the green arrow icon at the bottom of the screen to continue. Follow the on-screen directions to finish.
- 10** When the **Regional Settings** screen appears, select the settings for your locale, and then click **Next**.
- 11** Enter your name and organization in the **Personalize Your Software** screen, and then click **Next**.
- 12** If you are reinstalling Windows XP Home Edition, enter a name for your computer when the **Computer Name** window appears, and then click **Next**.  
If you are reinstalling Windows XP Professional, enter a name for your computer and a password when the **Computer Name and Administrator Password** window appears, and then click **Next**.
- 13** If you have a modem installed, the **Modem Dialing Information** screen appears. Enter the requested information, and then click **Next**.




- 14 Enter the date, time, and time zone in the **Date and Time Settings** window, and then click **Next**.
- 15 If you have a network card in your computer, select the appropriate network settings. If you do not have a network card, you will not see this option.  
  
Windows XP begins to install its components and configure the computer. The computer automatically restarts.
- 16 When the **Welcome to Microsoft** screen appears, click the green arrow icon at the bottom of the screen to continue. Follow the on-screen directions to finish.
- 17 Remove the CD from the drive.
- 18 Reinstall the appropriate drivers (see page 47).
- 19 Reinstall your virus protection software.

## Reinstalling Windows 2000

 **NOTICE:** The *Operating System* CD provides options for reinstalling your Windows 2000 operating system. The options can potentially overwrite files installed by Dell and possibly affect programs installed on your hard drive. Therefore, Dell does not recommend that you reinstall your operating system unless instructed to do so by a Dell technical support representative.

 **NOTICE:** To prevent conflicts with Windows 2000, you must disable any virus protection software installed on your computer before you reinstall Windows 2000.

- 1 Insert the *Operating System* CD into the CD or DVD drive.  
  
Close any program or utility that may start to run after you insert the CD into the drive.
- 2 Turn off the computer (see page 22), and then turn the computer on again.
- 3 When the blue Dell logo appears, press <F12> immediately.  
  
If you wait too long and the operating system logo appears, continue to wait until you see the Microsoft Windows desktop. Then shut down the computer and try again.
- 4 Use the arrow keys to select the CD-ROM option, and then press <Enter>.

 **HINT:** The CD that you need to place in your CD or DVD drive is titled *Operating System*.

- 5 When the **Windows 2000 Setup** screen appears, ensure that the **To setup Win2000 now, press ENTER** option is highlighted. Then press <Enter>.
- 6 Read the information in the **License Agreement** screen, and then press <F8> to continue.
- 7 When the **Windows 2000 Professional Setup** screen appears, use the arrow keys to select the Windows 2000 partition option that you want. To continue, press the key specified in the partition option that you chose.
- 8 When the **Windows 2000 Professional Setup** screen reappears, use the arrow keys to select the type of file system that you want Windows 2000 to use, and then press <Enter>.
- 9 Press <Enter> again to restart your computer.
- 10 Click **Next** when the **Welcome to the Windows 2000 Setup Wizard** screen appears.
- 11 When the **Regional Settings** screen appears, select the settings for your locale, and then click **Next**.
- 12 Enter your name and organization in the **Personalize Your Software** screen, and then click **Next**.
- 13 Type the Windows product key in the fields provided, and then click **Next**.

The product key is the bar code number found on the Microsoft Windows label, which is located behind the front-panel connector door as shown on the *START HERE* sheet for your computer.

- 14 When the **Computer Name and Administrator Password** screen appears, enter a name for your computer and a password, if desired. Then click **Next**.
- 15 Enter the date and time in the **Date and Time Settings** screen, and then click **Next**.

Windows 2000 now begins to install its components and configure the computer.

- 16 When the **Completing the Windows 2000 Setup Wizard** screen appears, remove the CD from the drive, and then click **Finish**.

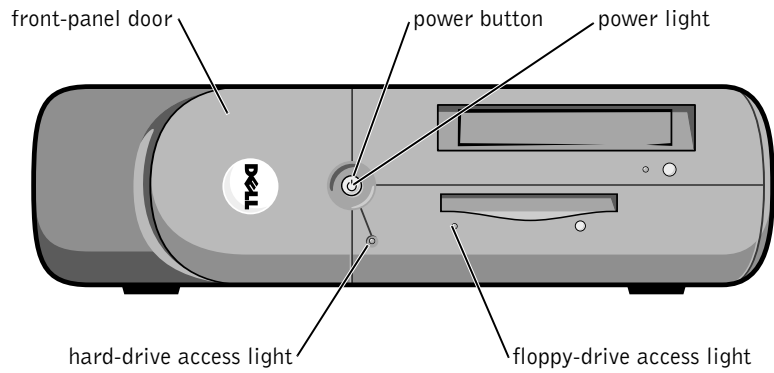
The computer automatically restarts.

## SECTION 3

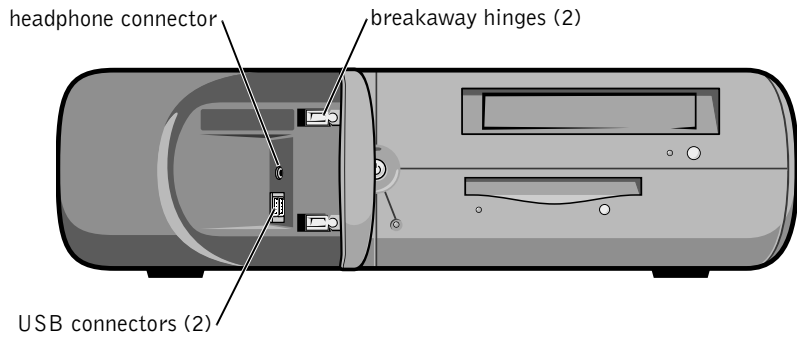
## Adding Parts

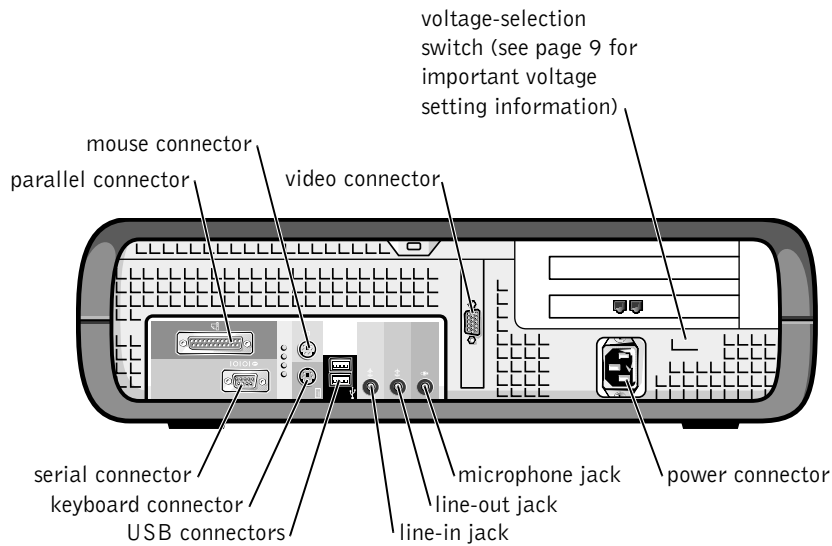
- Front and Back View of the Computer
- Opening the Computer Cover
- Looking Inside Your Computer
- Adding Cards
- Adding Memory
- Closing the Computer Cover

## Front and Back View of the Computer



**HINT:** The front-panel door is removable; if you remove it or accidentally knock it off its hinges, it snaps back in place.





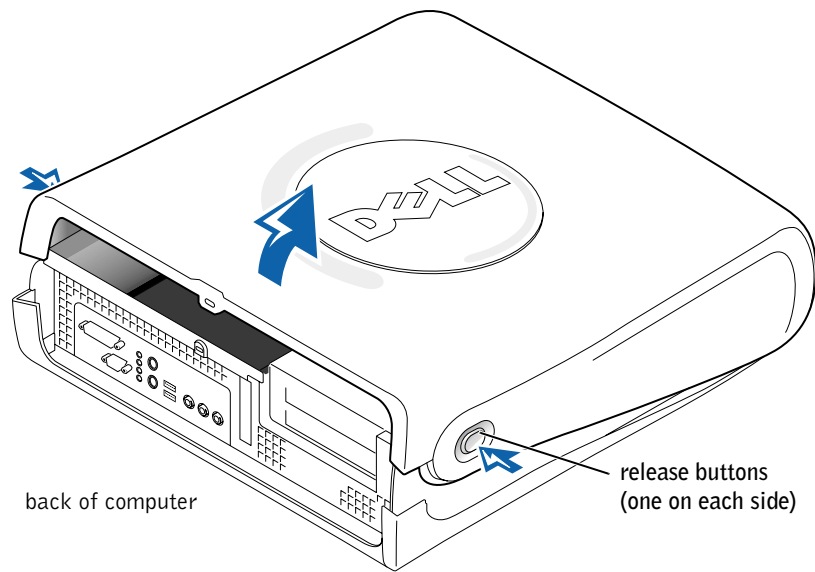
## Opening the Computer Cover

**⚠ CAUTION:** Before you begin any of the procedures in this section, follow the safety instructions listed in "When Working Inside Your Computer" on page 12.

**⚠ CAUTION:** To guard against electrical shock, always unplug your computer from the electrical outlet before opening the cover.

- 1 Shut down the computer (see page 22).
- 2 Turn off any attached devices and disconnect them from their electrical outlets.
- ➔ **NOTICE:** To disconnect a network cable, first unplug the cable from your computer and then unplug it from the network wall jack.
- 3 Disconnect the computer power cable from the wall outlet, and then press the power button to ground the system board.

- 4 Remove the computer stand, if attached (see page 16).
- ➡ **NOTICE:** Ensure that there is sufficient space to support the open cover—at least 30 cm (1 ft) of desk top space.
- 5 Press the two release buttons until the cover is free to swing up.
- ➡ **NOTICE:** Open the cover slowly to ensure that you do not damage any cables.
- 6 Raise the back of the cover, and pivot it toward the front of the computer.

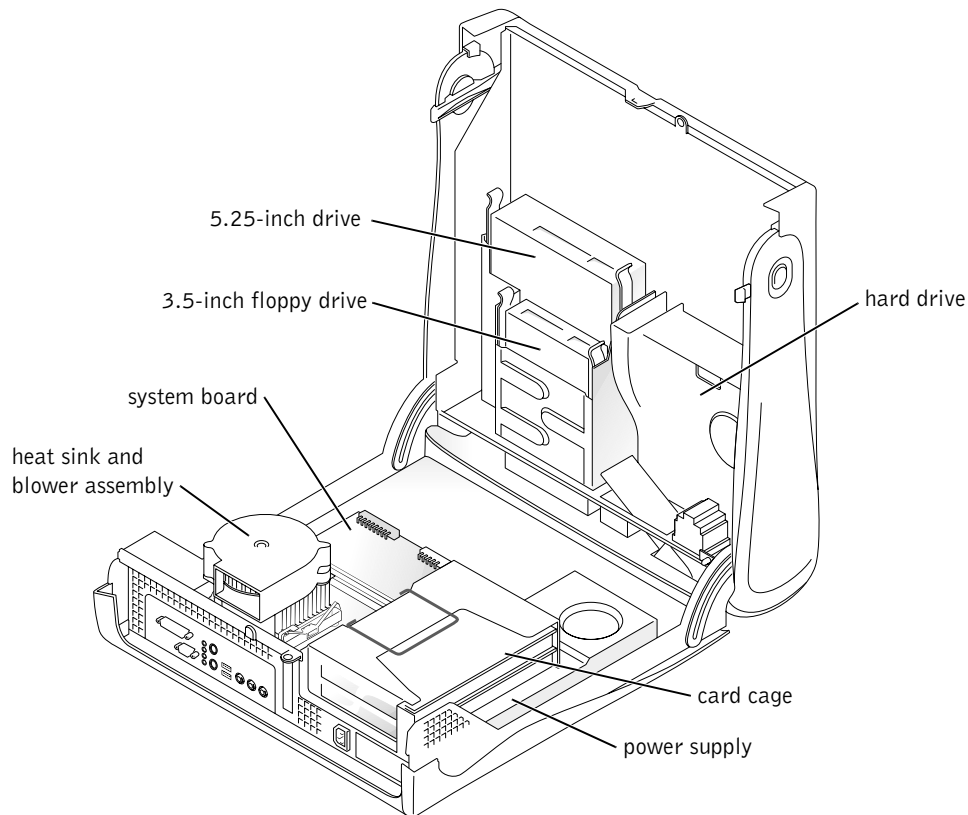


## Looking Inside Your Computer

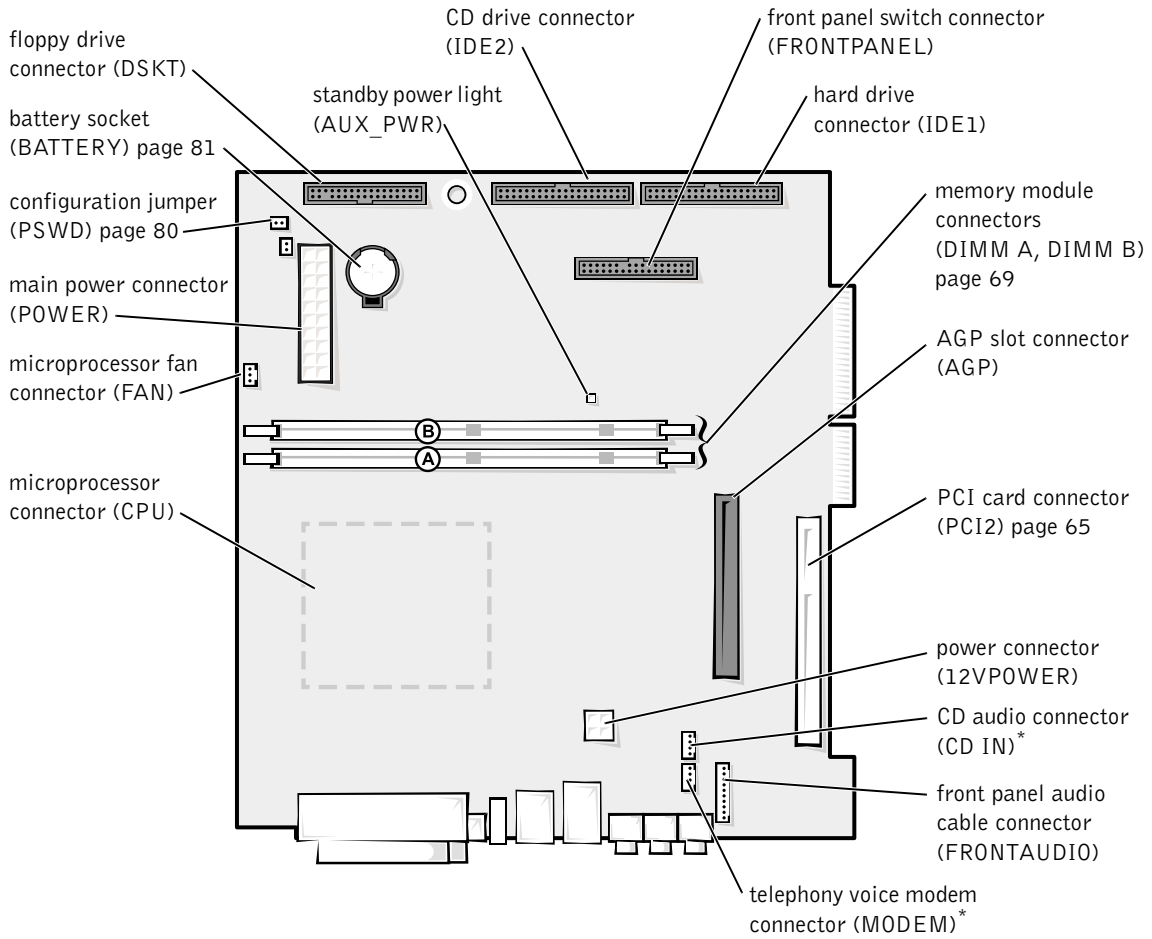
**⚠ CAUTION:** Before you begin any of the procedures in this section, follow the safety instructions listed in "When Working Inside Your Computer" on page 12.

**⚠ CAUTION:** To guard against electrical shock, always unplug your computer from the electrical outlet before opening the cover.

**➡ NOTICE:** Be careful when opening the computer cover to ensure that you do not inadvertently disconnect cables from the system board.



### System Board



back of computer

\* On computers with the optional telephony modem




## Adding Cards

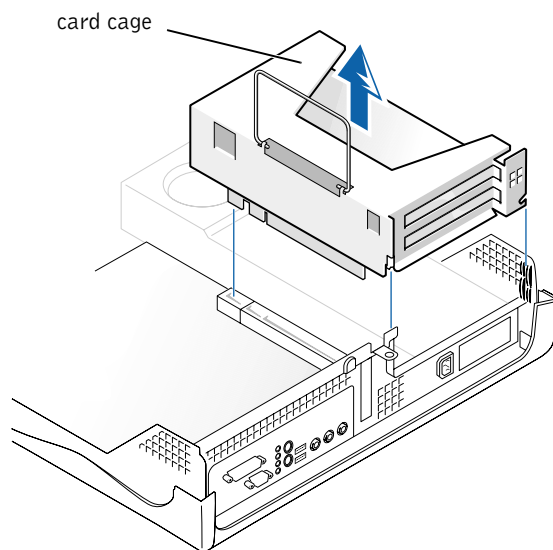
 **CAUTION:** Before you begin any of the procedures in this section, follow the safety instructions listed in "When Working Inside Your Computer" on page 12.

 **CAUTION:** To guard against electrical shock, always unplug your computer from the electrical outlet before opening the cover.

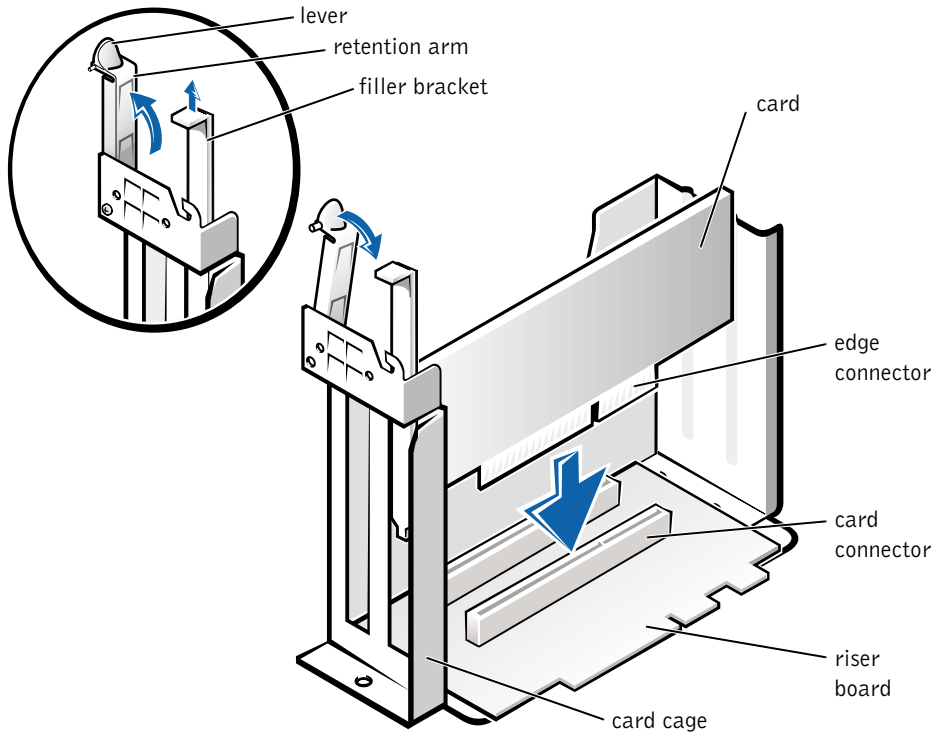
The computer's card connectors allow you to install different types of devices such as modems and network adapters.

- 1 Shut down the computer (see page 22).
- 2 Turn off any attached devices and disconnect them from their electrical outlets.
-  **NOTICE:** To disconnect a network cable, first unplug the cable from your computer and then unplug it from the network wall jack.
- 3 Disconnect the computer power cable from the wall outlet, and then press the power button to ground the system board.
- 4 Remove the computer stand, if attached (see page 16).
- 5 Open the computer cover (see page 61).
- 6 Remove the card cage.
  - a Check any cables connected to cards through the back-panel openings. Disconnect any cables that will not reach the card cage once it is removed from the computer.

- b** Gently pull on the handle and lift the card cage up and away from the computer.



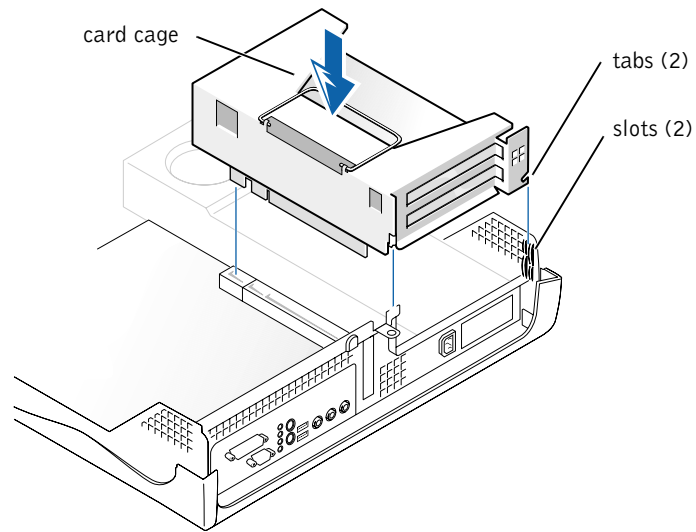
- 7 Press the lever on the retention arm and raise the retention arm.





- 8 If you are installing a new card, remove the filler bracket to create an empty card-slot opening.  
If you are replacing a card that is already installed in the computer, remove the card. If necessary, disconnect any cables connected to the card. Grasp the card by its top corners, and ease it out of its connector.
- 9 Prepare the card for installation.  
See the documentation that came with the card for information on configuring the card, making internal connections, or otherwise customizing it for your computer.

**⚠ CAUTION:** Some network adapters automatically start the computer when they are connected to a network. To guard against electrical shock, be sure to unplug your computer from its electrical outlet before installing any cards.

- 10** Insert the card into the card connector.  
If the card is full-length, insert the end of the card into the card guide bracket as you lower the card toward its connector on the system board. Insert the card firmly into the card connector on the riser board.
- 11** Lower the retention arm and press it into place, securing the card(s) in the computer.
- 12** Replace the card cage.
  - a** Align the tabs in the side of the card cage with the slots on the side of the computer, and slide the card cage down into place.
  - b** Make sure that the riser board is fully seated in the connector on the system board.



- 13** Reconnect any cables that you removed in step 6.
- 14** Connect any cables that should be attached to the card.  
See the documentation for the card for information about the card's cable connections.


-  **NOTICE:** Do not route card cables over or behind the cards. Cables routed over the cards can prevent the computer cover from closing properly or cause damage to the equipment.
- 15 Close the computer cover (see page 71).
- 16 Connect your computer and devices to their electrical outlets, and turn them on.
-  **NOTICE:** To connect a network cable, first plug the cable in to the network wall jack and then plug it in to the computer.
- 17 Install any drivers required for the card as described in the card documentation.


## Adding Memory

 **CAUTION:** Before you begin any of the procedures in this section, follow the safety instructions listed in "When Working Inside Your Computer" on page 12.

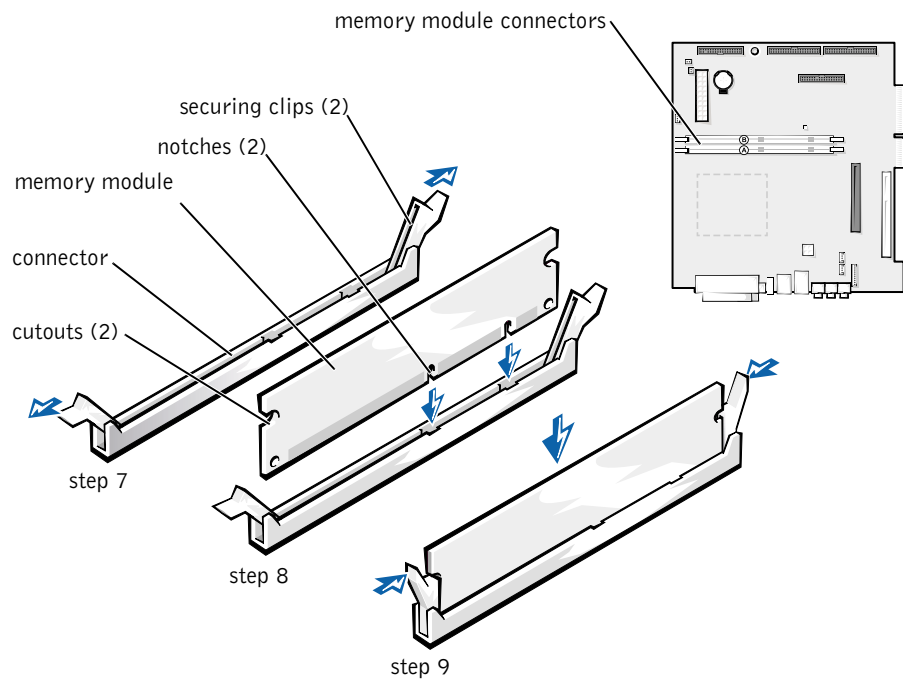
 **CAUTION:** To guard against electrical shock, always unplug your computer from the electrical outlet before opening the cover.

You can increase your computer memory by installing memory modules on the system board. For information on the type of memory supported by your computer, see "Memory type" under "Memory" on page 75.

- 1 Shut down the computer (see page 22).
- 2 Turn off any attached devices and disconnect them from their electrical outlets.
-  **NOTICE:** To disconnect a network cable, first unplug the cable from your computer and then unplug it from the network wall jack.
- 3 Disconnect the computer power cable from the wall outlet, and then press the power button to ground the system board.
- 4 Remove the computer stand, if attached (see page 16).
- 5 Open the computer cover (see page 61).

 **HINT:** Memory purchased from Dell is covered under your computer warranty.

- 6 If necessary, remove a memory module:
  - a Press out the securing clip at each end of the memory module connector.
  - b Grasp the module and pull up.  
If the module is difficult to remove, gently ease the module back and forth to remove it from the connector.
- 7 To insert a module, press out the securing clip at each end of the memory module connector.



- 8 Align the notches on the bottom of the module with the crossbars in the connector.

**NOTICE:** To avoid breaking the memory module, do not press near the middle of the module.

- 9 Insert the module straight down into the connector, ensuring that it fits into the vertical guides at each end of the connector. Press firmly on the ends of the module until it snaps into place.

If you insert the module correctly, the securing clips snap into the cutouts at each end of the module.

- 10 Close the computer cover (see page 71).
- 11 Connect your computer and devices to their electrical outlets, and turn them on.
- ➔ **NOTICE:** To connect a network cable, first plug the cable in to the network wall jack and then plug it in to the computer.
- 12 Right-click the **My Computer** icon and then click **Properties**.
- 13 Click the **General** tab.
- 14 To verify that the memory is installed correctly, check the amount of memory (RAM) listed.

## Closing the Computer Cover

- 1 Ensure that all cables are connected, and fold cables out of the way. Make sure cables are not routed over the drive cage—they will prevent the cover from closing properly.
- 2 Ensure that no tools or extra parts are left inside the computer.
- 3 Pivot the cover down and ensure that the release buttons click into place.
- 4 Attach the computer stand, if desired (see page 16).
- ➔ **NOTICE:** To connect a network cable, first plug the cable in to the network wall jack and then plug it in to the computer.
- 5 Connect your computer and devices to their electrical outlets, and turn them on.





## SECTION 4

# Appendix

Specifications  
Standard Settings  
Clearing Forgotten Passwords  
Replacing the Battery  
Dell Technical Support Policy (U.S. Only)  
Contacting Dell  
Regulatory Information  
Limited Warranties and Return Policy

## Specifications

---

### Microprocessor

Microprocessor type	Intel® Pentium® 4 microprocessor
L1 cache	8 KB first-level
L2 cache	integrated 256-KB at full microprocessor speed

---

### System Information

System chip set	Intel 845
DMA channels	four
Interrupt levels	15
System BIOS chip	4 Mb (512 KB)
System clock	400-MHz data rate

---

### Expansion Bus

Bus types	PCI and AGP
Bus speed	PCI: 33 MHz; AGP: 66 MHz
AGP connector	one
AGP connector size	172 pins
AGP connector data width (maximum)	32 bits
AGP bus protocols	4x/2x modes at 1.5 V
PCI connectors	two
PCI connector size	120 pins
PCI connector data width (maximum)	32 bits

---

**Memory**

---

Architecture	SDRAM PC133
Memory connectors	two
Memory capacities	64-, 128-, 256-, and 512-MB non-ECC SDRAM
Minimum memory <sup>1</sup>	64 MB
Maximum memory	512 MB
Memory type	PC133 (non-ECC)
BIOS address	F8000h

---

**Drives**

---

Externally accessible	one 5.25-inch bay one 3.5-inch bay
Internally accessible	one bay for 1-inch–high IDE hard drive
Available devices	ATA-66 or ATA-100 Ultra DMA hard drive, CD drive, Zip drive, DVD drive, and CD-RW drive

---

**Ports and Connectors**

---

## Externally accessible:

Serial	9-pin connector; 16550C-compatible
Parallel	25-hole connector (bidirectional)
Video	15-hole connector
Keyboard	6-pin mini-DIN connector or USB connector
Mouse	6-pin mini-DIN connector or USB connector
USB	two front-panel and two back-panel USB-compliant connectors
Headphone	front-panel miniature jack
Audio <sup>2</sup>	three miniature jacks for line in, line out, and microphone

---

<sup>1</sup> Microsoft requires a minimum of 128 MB of memory for Windows® XP.<sup>2</sup> Present only on computers with built-in audio capabilities.

---

**Ports and Connectors** *(continued)*

---

Internally accessible:

Primary IDE channel	40-pin connector on PCI local bus
Secondary IDE channel	40-pin connector on PCI local bus
Floppy drive	34-pin connector

---

**Video**

---

Video controller	AGP 4X
------------------	--------

---

**Controls and Lights**

---

Power control	push button
Power light	green light on power button—blinking green in sleep state; solid green for power on state
Hard-drive access light	green
Diagnostic code lights	four bicolor (amber and green) located on back panel

---

**Power**

---

DC power supply:

Wattage	180 W
Heat dissipation	500 BTU (fully-loaded computer without monitor)
Voltage (see page 9 for important voltage setting information)	90 to 135 V at 50/60 Hz; 180 to 265 V at 50/60 Hz; 100 V at 50/60 Hz for Japanese computers
Backup battery	3-V CR2032 coin cell

---

**Physical**

---

Height x Width x Depth	10.6 x 38.9 x 43.2 cm (4.2 x 15.3 x 17 inches)
Weight	9.9 kg (22 lb)

---

**Environmental**

---

## Temperature:

Operating	10° to 35°C (50° to 95°F) <sup>3</sup>
Storage	-40° to 65°C (-40° to 149°F)

Relative humidity	20% to 80% (noncondensing)
-------------------	----------------------------

## Maximum vibration:

Operating	0.25 G at 3 to 200 Hz at 1/2 octave/min
Storage	0.5 G at 3 to 200 Hz at 1/2 octave/min

## Maximum shock:

Operating	bottom half-sine pulse with a change in velocity of 50.8 cm/sec (20 inches/sec)
Storage	23-G faired-square wave with a velocity change of 508 cm/sec (200 inches/sec)

## Altitude:

Operating	-15.2 to 3048 m (-50 to 10,000 ft) <sup>3</sup>
Storage	-15.2 to 10,670 m (-50 to 35,000 ft)

---

<sup>3</sup> At 35°C (95°F), the maximum operating altitude is 914 m (3000 ft)

## Standard Settings

The system setup program contains the standard settings for your computer.

**NOTICE:** Unless you are an expert computer user, don't change the settings for this program. Certain changes might make your computer work incorrectly.

See the following figure for an example of the main program screen.

Dell - Dimension 4300S			
Intel® Pentium® 4 Processor: 1.40 GHz		BIOS Version: xxx	
Level 2 Cache: 256 KB Integrated		Service Tag: xxxxxx	
<pre> System Time .....00:00:00 System Date .....DY/MO/DATE/YR  Diskette Drive A: .....3.5 inch, 1.44 MB  Primary Drive 0 .....Hard Drive Primary Drive 1 .....Off Secondary Drive 0 .....CD-ROM Reader Secondary Drive 1 .....Off  Boot Sequence .....&lt;Enter&gt;  Memory Information .....&lt;Enter&gt; CPU Information .....&lt;Enter&gt;  Integrated Devices (LegacySelect Options) .....&lt;Enter&gt; PCI IRQ Assignments .....&lt;Enter&gt; IRQ Reservations .....&lt;Enter&gt; System Security .....&lt;Enter&gt;  Keyboard NumLock .....On Report Keyboard Errors .....Report  Auto Power On .....Disabled Remote Wake Up .....Off AC Power Recovery .....Last Fast Boot .....On Suspend Mode .....S3  System Event Log .....&lt;Enter&gt;  Asset Tag .....xxxxx </pre>			
↓↑ to select	SPACE, +, - to change	ESC to exit	F1 = Help

## Viewing Settings

- 1 Turn on (or restart) your computer.
- 2 When the blue Dell™ logo appears, press <F2> immediately.

If you wait too long and the operating system logo appears, continue to wait until you see the Microsoft® Windows desktop. Then shut down your computer and try again.

## System Setup Program Screens

The system setup program screens display the current configuration information for your computer. Information on the screen is divided into five areas:

- Title – The area at the top of all system setup screens that displays your computer's model number.
- Computer data – Two boxes below the title that display the system processor, L2 cache, service tag, and the version number of the BIOS.
- Options – A scrollable box listing options that define the configuration of your computer (including installed hardware, power conservation, and security features).


Fields to the right of the listed options contain settings or values. The settings and values that you can change are brighter on the screen. All other settings and values are set by the computer and cannot be changed. When <Enter> appears to the right of an option, press <Enter> to access a pop-up menu of additional options.

- Key functions – A line of boxes across the bottom of all system setup screens that lists keys and their functions within the system setup program.
- Help – Press <F1> for information on the option that is selected (highlighted).


## Clearing Forgotten Passwords

 **CAUTION:** Before you begin this procedure, follow the safety instructions listed in "When Working Inside Your Computer" on page 12.

If you forget your user or setup password, you cannot operate your computer or change settings in the system setup program until you clear the forgotten password(s).

 **NOTICE:** This process erases both the system and setup passwords.


- 1 Shut down the computer (see page 22).
- 2 Turn off any attached devices and disconnect them from their electrical outlets.

 **NOTICE:** To disconnect a network cable, first unplug the cable from your computer and then unplug it from the network wall jack.

- 3 Disconnect the computer power cable from the wall outlet, and then press the power button to ground the system board.
- 4 Open the computer cover (see page 61).
- 5 Locate jumper PSWD on the system board (see page 64) and remove the jumper plug.
- 6 Close the computer cover (see page 71), plug your computer into an electrical outlet, and turn on the computer.

The existing password(s) are erased.

- 7 Shut down the computer (see page 22).
- 8 Turn off any attached devices and disconnect them from their electrical outlets.

 **NOTICE:** To disconnect a network cable, first unplug the cable from your computer and then unplug it from the network wall jack.


- 9 Disconnect the computer power cable from the wall outlet, and then press the power button to ground the system board.
- 10 Open the computer cover (see page 61).
- 11 Reconnect the jumper plug to jumper PSWD (see page 64).



- 12 Close the computer cover (see page 71), plug your computer into an electrical outlet, and turn on the computer.


Turning on your computer with the PSWD jumper installed reenables the password feature.

## Replacing the Battery

 **CAUTION:** Before you begin this procedure, follow the safety instructions listed in "When Working Inside Your Computer" on page 12.

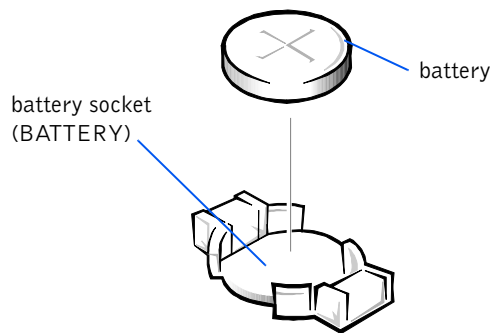
A coin-cell battery maintains computer configuration, date, and time information. The battery can last several years.

If you have to repeatedly reset time and date information after turning on the computer, replace the battery.

 **CAUTION:** A new battery can explode if it is incorrectly installed. Replace the 3-V CR2032 battery only with the same or equivalent type recommended by the manufacturer. Discard used batteries according to the manufacturer's instructions.

- 1 Record all the screens in the system setup program (see page 79) so that you can restore the correct settings in step 7.
- 2 Open the computer cover (see page 61).
- 3 Locate the battery socket BATTERY (see page 64).
- 4 Remove the battery by carefully prying it out of its socket with your fingers or with a blunt, nonconducting object such as a plastic screwdriver.

- ➔ **NOTICE:** To avoid damage to the system board while you pry the battery loose, be sure to insert the plastic screwdriver between the battery and the socket (not the system board).



- 5 Insert the new battery into the socket with the side labeled "+" facing up and snap it into place.
- 6 Close the computer cover (see page 71), and plug your computer and devices into their electrical outlets.
- 7 Access the system setup program (see page 79) and restore the settings you recorded in step 1.
- 8 Properly dispose of the old battery (see page 102).

## Dell Technical Support Policy (U.S. Only)

Technician-assisted technical support requires the cooperation and participation of the customer in the troubleshooting process and provides for restoration of the operating system, application software, and hardware drivers to the original default configuration as shipped from Dell, as well as the verification of appropriate functionality of the computer and all Dell-installed hardware. In addition to this technician-assisted technical support, online technical support is available at [support.dell.com](http://support.dell.com). Additional technical support options may be available for purchase.

Dell provides limited technical support for the computer and any “Dell-installed” software and peripherals<sup>1</sup>. Support for third-party software and peripherals is provided by the original manufacturer, including those purchased and/or installed through Dell Software & Peripherals, Readyware, and Custom Factory Integration (DellPlus™)<sup>2</sup>.

- <sup>1</sup> Repair services are provided pursuant to the terms and conditions of your limited warranty and any optional support service contract purchased with the computer.
- <sup>2</sup> All Dell-standard components included in a Custom Factory Integration (CFI) project are covered by the standard Dell limited warranty for your computer. However, Dell also extends a parts replacement program to cover all nonstandard, third-party hardware components integrated through CFI for the duration of the computer's service contract.

### **Definition of "Dell-Installed" Software and Peripherals**


Dell-installed software includes the operating system and some of the application software that is preinstalled on the computer during the manufacturing process (Microsoft Office, Norton Antivirus, and so on).

Dell-installed peripherals include any internal expansion cards, or Dell-branded module bay or PC Card accessories. In addition, any Dell-branded monitors, keyboards, mice, speakers, microphones for telephonic modems, docking stations/port replicators, networking products, and all associated cabling are included.

### **Definition of "Third-Party" Software and Peripherals**

Third-party software and peripherals include any peripheral, accessory, or application software sold by Dell not under the Dell brand (printers, scanners, cameras, games, and so on). Support for all third-party software and peripherals is provided by the original manufacturer of the product.



 **HINT:** Toll-free numbers are for use within the country for which they are listed.

## Contacting Dell

When you need to contact Dell, use the telephone numbers, codes, and electronic addresses provided in the following tables. If you need assistance in determining which codes to use, contact a local or an international operator.

See "Dell Technical Support Policy" on page 82 for a description of the hardware and software support provided by Dell.

### Contact Numbers and Addresses

<b>Country (City) International Access Code Country Code City Code</b>	<b>Department Name or Service Area, Website and E-mail Address</b>	<b>Area Codes, Local Numbers, and Toll Free Numbers</b>
Antigua and Barbuda	General Support	1-800-805-5924
Argentina (Buenos Aires) International Access Code: 00 Country Code: 54 City Code: 11	Tech Support and Customer Care Sales Tech Support Fax Customer Care Fax Website: <a href="http://www.dell.com.ar">http://www.dell.com.ar</a>	toll free: 1-800-444-0733 toll free: 1-800-444-3355 11 4515 7139 11 4515 7138
Australia (Sydney) International Access Code: 0011 Country Code: 61 City Code: 2	Home and Small Business Government and Business Preferred Accounts Division (PAD) Customer Care Corporate Sales Transaction Sales Fax	1-300-65-55-33 toll free: 1-800-633-559 toll free: 1-800-060-889 toll free: 1-800-819-339 toll free: 1-800-808-385 toll free: 1-800-808-312 toll free: 1-800-818-341

<b>Country (City) International Access Code Country Code City Code</b>	<b>Department Name or Service Area, Website and E-mail Address</b>	<b>Area Codes, Local Numbers, and Toll Free Numbers</b>
<b>Austria (Vienna)</b>	Home/Small Business Sales	01 795 67602
International Access Code: 900	Home/Small Business Fax	01 795 67605
Country Code: 43	Home/Small Business Customer Care	01 795 67603
City Code: 1	Preferred Accounts/Corporate Customer Care	0660 8056
	Home/Small Business Technical Support	01 795 67604
	Preferred Accounts/Corporate Technical Support	0660 8779
	Switchboard	01 491 04 0
	Website: <a href="http://support.euro.dell.com">support.euro.dell.com</a>	
	E-mail: <a href="mailto:tech_support_central_europe@dell.com">tech_support_central_europe@dell.com</a>	
<b>Barbados</b>	General Support	1-800-534-3066
<b>Belgium (Brussels)</b>	Technical Support	02 481 92 88
International Access Code: 00	Customer Care	02 481 91 19
Country Code: 32	Home/Small Business Sales	toll free: 0800 16884
City Code: 2	Corporate Sales	02 481 91 00
	Fax	02 481 92 99
	Switchboard	02 481 91 00
	Website: <a href="http://support.euro.dell.com">support.euro.dell.com</a>	
	E-mail: <a href="mailto:tech_be@dell.com">tech_be@dell.com</a>	
	E-mail for French Speaking Customers: <a href="http://support.euro.dell.com/be/fr/emaildell/">support.euro.dell.com/be/fr/emaildell/</a>	
<b>Bermuda</b>	General Support	1-800-342-0671
<b>Brazil</b>	Customer Support, Technical Support	0800 90 3355
International Access Code: 0021	Tech Support Fax	51 481 5470
Country Code: 55	Customer Care Fax	51 481 5480
City Code: 51	Sales	0800 90 3390
	Website: <a href="http://www.dell.com/br">http://www.dell.com/br</a>	
<b>Brunei</b>	Customer Technical Support (Penang, Malaysia)	604 633 4966
Country Code: 673	Customer Service (Penang, Malaysia)	604 633 4949
	Transaction Sales (Penang, Malaysia)	604 633 4955

<b>Country (City) International Access Code Country Code City Code</b>	<b>Department Name or Service Area, Website and E-mail Address</b>	<b>Area Codes, Local Numbers, and Toll Free Numbers</b>
Canada (North York, Ontario) International Access Code: 011	Automated Order-Status System	toll free: 1-800-433-9014
	AutoTech (Automated technical support)	toll free: 1-800-247-9362
	Customer Care (From outside Toronto)	toll free: 1-800-387-5759
	Customer Care (From within Toronto)	416 758-2400
	Customer Technical Support	toll free: 1-800-847-4096
	Sales (Direct sales—from outside Toronto)	toll free: 1-800-387-5752
	Sales (Direct sales—from within Toronto)	416 758-2200
	Sales (Federal government, education, and medical)	toll free: 1-800-567-7542
	Sales (Major accounts)	toll free: 1-800-387-5755
TechFax	toll free: 1-800-950-1329	
Cayman Islands	General Support	1-800-805-7541
Chile (Santiago) Country Code: 56 City Code: 2	Sales, Customer Support, and Technical Support	toll free: 1230-020-4823
China (Xiamen) Country Code: 86 City Code: 592	Home and Small Business Technical Support	toll free: 800 858 2437
	Corporate Accounts Technical Support	toll free: 800 858 2333
	Customer Experience	toll free: 800 858 2060
	Home and Small Business	toll free: 800 858 2222
	Preferred Accounts Division	toll free: 800 858 2062
	Large Corporate Accounts North	toll free: 800 858 2999
	Large Corporate Accounts East	toll free: 800 858 2020
	Large Corporate Accounts South	toll free: 800 858 2355
	Large Corporate Accounts GCP	toll free: 800 858 2055
Large Corporate Accounts HK	toll free: 800 964108	
Large Corporate Accounts GCP HK	toll free: 800 907308	
Colombia	General Support	980-9-15-3978
Costa Rica	General Support	0800-012-0435

<b>Country (City) International Access Code Country Code City Code</b>	<b>Department Name or Service Area, Website and E-mail Address</b>	<b>Area Codes, Local Numbers, and Toll Free Numbers</b>
Czech Republic (Prague)	Technical Support	02 22 83 27 27
International Access Code: 00	Customer Care	02 22 83 27 11
Country Code: 420	Fax	02 22 83 27 14
City Code: 2	TechFax	02 22 83 27 28
	Switchboard	02 22 83 27 11
	Website: <a href="http://support.euro.dell.com">support.euro.dell.com</a>	
	E-mail: <a href="mailto:czech_dell@dell.com">czech_dell@dell.com</a>	
Denmark (Horsholm)	Technical Support	45170182
International Access Code: 00	Relational Customer Care	45170184
Country Code: 45	Home/Small Business Customer Care	32875505
	Switchboard	45170100
	Fax Technical Support (Upplands Vasby, Sweden)	46 0 859005594
	Fax Switchboard	45170117
	Website: <a href="http://support.euro.dell.com">support.euro.dell.com</a>	
	E-mail: <a href="mailto:den_support@dell.com">den_support@dell.com</a>	
	E-mail Support for Servers: <a href="mailto:Nordic_server_support@dell.com">Nordic_server_support@dell.com</a>	
Dominican Republic	General Support	1-800-148-0530
El Salvador	General Support	01-899-753-0777
Finland (Helsinki)	Technical Support	09 253 313 60
International Access Code: 990	Technical Support Fax	09 253 313 81
Country Code: 358	Relational Customer Care	09 253 313 38
City Code: 9	Home/Small Business Customer Care	09 693 791 94
	Fax	09 253 313 99
	Switchboard	09 253 313 00
	Website: <a href="http://support.euro.dell.com">support.euro.dell.com</a>	
	E-mail: <a href="mailto:fin_support@dell.com">fin_support@dell.com</a>	

<b>Country (City) International Access Code Country Code City Code</b>	<b>Department Name or Service Area, Website and E-mail Address</b>	<b>Area Codes, Local Numbers, and Toll Free Numbers</b>
France (Paris) (Montpellier) International Access Code: 00 Country Code: 33 City Codes: (1) (4)	<b>Home and Small Business</b>	
	Technical Support	0825 387 270
	Customer Care	0825 823 833
	Switchboard	0825 004 700
	Switchboard (Alternative)	04 99 75 40 00
	Sales	0825 004 700
	Fax	0825 004 701
	Fax (Alternative)	04 99 75 40 01
	Website: <a href="http://support.euro.dell.com">support.euro.dell.com</a>	
	E-mail: <a href="mailto:support.euro.dell.com/fr/fr/emaildell/">support.euro.dell.com/fr/fr/emaildell/</a>	
	<b>Corporate</b>	
	Technical Support	0825 004 719
	Customer Care	0825 338 339
	Switchboard	01 55 94 71 00
Sales	01 55 94 71 00	
Fax	01 55 94 71 01	
Website: <a href="http://support.euro.dell.com">support.euro.dell.com</a>		
E-mail: <a href="mailto:support.euro.dell.com/fr/fr/emaildell/">support.euro.dell.com/fr/fr/emaildell/</a>		
Germany (Langen) International Access Code: 00 Country Code: 49 City Code: 6103	Technical Support	06103 766-7200
	Home/Small Business Customer Care	0180-5-224400
	Global Segment Customer Care	06103 766-9570
	Preferred Accounts Customer Care	06103 766-9420
	Large Accounts Customer Care	06103 766-9560
	Public Accounts Customer Care	06103 766-9555
	Switchboard	06103 766-7000
	Website: <a href="http://support.euro.dell.com">support.euro.dell.com</a>	
E-mail: <a href="mailto:tech_support_central_europe@dell.com">tech_support_central_europe@dell.com</a>		
Guatemala	General Support	1-800-999-0136



<b>Country (City) International Access Code Country Code City Code</b>	<b>Department Name or Service Area, Website and E-mail Address</b>	<b>Area Codes, Local Numbers, and Toll Free Numbers</b>
<b>Hong Kong</b>	Technical Support	toll free: 800 96 4107
International Access Code: 001	Customer Service (Penang, Malaysia)	604 633 4949
Country Code: 852	Transaction Sales	toll free: 800 96 4109
	Corporate Sales	toll free: 800 96 4108
<b>India</b>	Technical Support	1600 33 8045
	Sales	1600 33 8044
<b>Ireland (Cherrywood)</b>	Technical Support	1850 543 543
International Access Code: 16	Home User Customer Care	01 204 4095
Country Code: 353	Small Business Customer Care	01 204 4026
City Code: 1	Corporate Customer Care	01 279 5011
	Sales	01 204 4444
	SalesFax	01 204 0144
	Fax	204 5960
	Switchboard	01 204 4444
	Website: <a href="http://support.euro.dell.com">support.euro.dell.com</a>	
	E-mail: <a href="mailto:dell_direct_support@dell.com">dell_direct_support@dell.com</a>	
<b>Italy (Milan)</b>	<b>Home and Small Business</b>	
International Access Code: 00	Technical Support	02 577 826 90
Country Code: 39	Customer Care	02 696 821 14
City Code: 02	Fax	02 696 821 13
	Switchboard	02 696 821 12
	Website: <a href="http://support.euro.dell.com">support.euro.dell.com</a>	
	E-mail: <a href="mailto:support.euro.dell.com/it/it/emaildell/">support.euro.dell.com/it/it/emaildell/</a>	
	<b>Corporate</b>	
	Technical Support	02 577 826 90
	Customer Care	02 577 825 55
	Fax	02 575 035 30
	Switchboard	02 577 821
	Website: <a href="http://support.euro.dell.com">support.euro.dell.com</a>	
	E-mail: <a href="mailto:support.euro.dell.com/it/it/emaildell/">support.euro.dell.com/it/it/emaildell/</a>	

<b>Country (City) International Access Code Country Code City Code</b>	<b>Department Name or Service Area, Website and E-mail Address</b>	<b>Area Codes, Local Numbers, and Toll Free Numbers</b>
Jamaica	General Support	1-800-682-3639
Japan (Kawasaki)	Technical Support (Server)	toll free: 0120-1984-35
International Access Code: 001	Technical Support Outside of Japan (Server)	81-44-556-4152
Country Code: 81	Technical Support (Dimension™ and Inspiron™)	toll free: 0120-1982-26
City Code: 44	Technical Support Outside of Japan (Dimension and Inspiron)	81-44-520-1435
	Technical Support (Dell Precision™, OptiPlex™, and Latitude™)	toll free: 0120-1984-33
	Technical Support Outside of Japan (Dell Precision, OptiPlex, and Latitude)	81-44-556-3894
	24-Hour Automated Order Service	044 556-3801
	Customer Care	044 556-4240
	Business Sales Division (Up to 400 employees)	044 556 3494
	Preferred Accounts Division Sales (Over 400 employees)	044 556-3433
	Large Corporate Accounts Sales (Over 3500 employees)	044 556-3440
	Public Sales (Government agencies, educational institutions, and medical institutions)	044 556 3440
	Global Segment Japan	044 556 3469
	Individual User	044 556 1657
	Faxbox Service	044 556-3490
	Switchboard	044 556-4300
	Website: <a href="http://support.jp.dell.com">support.jp.dell.com</a>	
Korea (Seoul)	Technical Support	toll free: 080-200-3800
International Access Code: 001	Sales	toll free: 080-200-3600
Country Code: 82	Customer Service (Seoul, Korea)	toll free: 080-200-3800
City Code: 2	Customer Service (Penang, Malaysia)	604 633 4949
	Fax	2194-6202
	Switchboard	2194-6000

<b>Country (City) International Access Code Country Code City Code</b>	<b>Department Name or Service Area, Website and E-mail Address</b>	<b>Area Codes, Local Numbers, and Toll Free Numbers</b>
Latin America	Customer Technical Support (Austin, Texas, U.S.A.)	512 728-4093
	Customer Service (Austin, Texas, U.S.A.)	512 728-3619
	Fax (Technical Support and Customer Service)(Austin, Texas, U.S.A.)	512 728-3883
	Sales (Austin, Texas, U.S.A.)	512 728-4397
	SalesFax (Austin, Texas, U.S.A.)	512 728-4600 or 512 728-3772
Luxembourg International Access Code: 00 Country Code: 352	Technical Support (Brussels, Belgium)	02 481 92 88
	Home/Small Business Sales (Brussels, Belgium)	toll free: 080016884
	Corporate Sales (Brussels, Belgium)	02 481 91 00
	Customer Care (Brussels, Belgium)	02 481 91 19
	Fax (Brussels, Belgium)	02 481 92 99
	Switchboard (Brussels, Belgium)	02 481 91 00
	Website: <a href="http://support.euro.dell.com">support.euro.dell.com</a> E-mail: <a href="mailto:tech_be@dell.com">tech_be@dell.com</a>	
Macau Country Code: 853	Technical Support	toll free: 0800 582
	Customer Service (Penang, Malaysia)	604 633 4949
	Transaction Sales	toll free: 0800 581
Malaysia (Penang) International Access Code: 00 Country Code: 60 City Code: 4	Technical Support	toll free: 1 800 888 298
	Customer Service	04 633 4949
	Transaction Sales	toll free: 1 800 888 202
	Corporate Sales	toll free: 1 800 888 213

<b>Country (City) International Access Code Country Code City Code</b>	<b>Department Name or Service Area, Website and E-mail Address</b>	<b>Area Codes, Local Numbers, and Toll Free Numbers</b>
<b>Mexico</b> International Access Code: 00 Country Code: 52	Customer Technical Support  Sales  Customer Service  Main	001-877-384-8979 or 001-877-269-3383 50-81-8800 or 01-800-888-3355 001-877-384-8979 or 001-877-269-3383 50-81-8800 or 01-800-888-3355
<b>Netherlands Antilles</b>	General Support	001-800-882-1519
<b>Netherlands (Amsterdam)</b> International Access Code: 00 Country Code: 31 City Code: 20	Technical Support Customer Care Home/Small Business Sales Home/Small Business Sales Fax Corporate Sales Corporate Sales Fax Fax Switchboard Website: <a href="http://support.euro.dell.com">support.euro.dell.com</a> E-mail: <a href="mailto:tech_nl@dell.com">tech_nl@dell.com</a>	020 581 8838 020 581 8740 toll free: 0800-0663 020 682 7171 020 581 8818 020 686 8003 020 686 8003 020 581 8818
<b>New Zealand</b> International Access Code: 00 Country Code: 64	Home and Small Business Government and Business Sales Fax	0800 446 255 0800 444 617 0800 441 567 0800 441 566
<b>Nicaragua</b>	General Support	001-800-220-1006

<b>Country (City) International Access Code Country Code City Code</b>	<b>Department Name or Service Area, Website and E-mail Address</b>	<b>Area Codes, Local Numbers, and Toll Free Numbers</b>
Norway (Lysaker)	Technical Support	671 16882
International Access Code: 00	Relational Customer Care	671 17514
Country Code: 47	Home/Small Business Customer Care	23162298
	Switchboard	671 16800
	Fax Technical Support (Upplands Vasby, Sweden)	46 0 85 590 05 594
	Fax Switchboard	671 16865
	Website: <a href="http://support.euro.dell.com">support.euro.dell.com</a>	
	E-mail: <a href="mailto:nor_support@dell.com">nor_support@dell.com</a>	
	E-mail Support for Servers: <a href="mailto:Nordic_server_support@dell.com">Nordic_server_support@dell.com</a>	
<b>Panama</b>	General Support	001-800-507-0962
<b>Peru</b>	General Support	0800-50-669
<b>Poland (Warsaw)</b>	Customer Service Phone	57 95 700
International Access Code: 011	Customer Care	57 95 999
Country Code: 48	Sales	57 95 999
City Code: 22	Customer Service Fax	57 95 806
	Reception Desk Fax	57 95 998
	Switchboard	57 95 999
	Website: <a href="http://support.euro.dell.com">support.euro.dell.com</a>	
	E-mail: <a href="mailto:pl_support@dell.com">pl_support@dell.com</a>	
<b>Portugal</b>	Technical Support	35 800 834 077
International Access Code: 00	Customer Care	800 300 415 or 35 800 834 075
Country Code: 35	Sales	800 300 410 or 800 300 411 or 800 300 412 or 351 214 220 710
	Fax	35 121 424 01 12
	E-mail: <a href="http://support.euro.dell.com/es/es/emaildell/">support.euro.dell.com/es/es/emaildell/</a>	
<b>Puerto Rico</b>	General Support	1-800-805-7545
<b>St. Lucia</b>	General Support	1-800-882-1521

<b>Country (City) International Access Code Country Code City Code</b>	<b>Department Name or Service Area, Website and E-mail Address</b>	<b>Area Codes, Local Numbers, and Toll Free Numbers</b>
Singapore (Singapore)	Technical Support	toll free: 800 6011 051
International Access Code: 005	Customer Service (Penang, Malaysia)	604 633 4949
Country Code: 65	Transaction Sales	toll free: 800 6011 054
	Corporate Sales	toll free: 800 6011 053
<b>South Africa (Johannesburg)</b>	Technical Support	011 709 7710
International Access Code: 09/091	Customer Care	011 709 7707
Country Code: 27	Sales	011 709 7700
City Code: 11	Fax	011 706 0495
	Switchboard	011 709 7700
	Website: <a href="http://support.euro.dell.com">support.euro.dell.com</a>	
	E-mail: <a href="mailto:dell_za_support@dell.com">dell_za_support@dell.com</a>	
<b>Southeast Asian and Pacific Countries</b>	Customer Technical Support, Customer Service, and Sales (Penang, Malaysia)	604 633 4810
<b>Spain (Madrid)</b>	<b>Home and Small Business</b>	
International Access Code: 00	Technical Support	902 100 130
Country Code: 34	Customer Care	902 118 540
City Code: 91	Sales	902 118 541
	Switchboard	902 118 541
	Fax	902 118 539
	Website: <a href="http://support.euro.dell.com">support.euro.dell.com</a>	
	E-mail: <a href="mailto:support.euro.dell.com/es/es/emaildell/">support.euro.dell.com/es/es/emaildell/</a>	
	<b>Corporate</b>	
	Technical Support	902 100 130
	Customer Care	902 118 546
	Switchboard	91 722 92 00
	Fax	91 722 95 83
	Website: <a href="http://support.euro.dell.com">support.euro.dell.com</a>	
	E-mail: <a href="mailto:support.euro.dell.com/es/es/emaildell/">support.euro.dell.com/es/es/emaildell/</a>	

<b>Country (City) International Access Code Country Code City Code</b>	<b>Department Name or Service Area, Website and E-mail Address</b>	<b>Area Codes, Local Numbers, and Toll Free Numbers</b>
Sweden (Upplands Vasby)	Technical Support	08 590 05 199
International Access Code: 00	Relational Customer Care	08 590 05 642
Country Code: 46	Home/Small Business Customer Care	08 587 70 527
City Code: 8	Fax Technical Support	08 590 05 594
	Sales	08 590 05 185
	Website: <a href="http://support.euro.dell.com">support.euro.dell.com</a>	
	E-mail: <a href="mailto:swe_support@dell.com">swe_support@dell.com</a>	
	E-mail Support for Latitude and Inspiron: <a href="mailto:Swe-nbk_kats@dell.com">Swe-nbk_kats@dell.com</a>	
	E-mail Support for OptiPlex: <a href="mailto:Swe_kats@dell.com">Swe_kats@dell.com</a>	
	E-mail Support for Servers: <a href="mailto:Nordic_server_support@dell.com">Nordic_server_support@dell.com</a>	
Switzerland (Geneva)	Technical Support (Home and Small Business)	0844 811 411
International Access Code: 00	Technical Support (Corporate)	0844 822 844
Country Code: 41	Customer Care (Home and Small Business)	0848 802 202
City Code: 22	Customer Care (Corporate)	0848 821 721
	Fax	022 799 01 90
	Switchboard	022 799 01 01
	Website: <a href="http://support.euro.dell.com">support.euro.dell.com</a>	
	E-mail: <a href="mailto:swisstech@dell.com">swisstech@dell.com</a>	
	E-mail for French Speaking HSB and Corporate Customers: <a href="http://support.euro.dell.com/ch/fr/emaildell/">support.euro.dell.com/ch/fr/emaildell/</a>	
Taiwan	Technical Support	toll free: 0080 60 1255
International Access Code: 002	Technical Support (Servers)	toll free: 0080 60 1256
Country Code: 886	Transaction Sales	toll free: 0080 651 228 or 0800 33 556
	Corporate Sales	toll free: 0080 651 227 or 0800 33 555
Thailand	Technical Support	toll free: 0880 060 07
International Access Code: 001	Customer Service (Penang, Malaysia)	604 633 4949
Country Code: 66	Sales	toll free: 0880 060 09

<b>Country (City) International Access Code Country Code City Code</b>	<b>Department Name or Service Area, Website and E-mail Address</b>	<b>Area Codes, Local Numbers, and Toll Free Numbers</b>
Trinidad/Tobago	General Support	1-800-805-8035
U.K. (Bracknell) International Access Code: 00 Country Code: 44 City Code: 1344	Technical Support (Corporate/Preferred Accounts/PAD [1000+ employees]) Technical Support (Direct/PAD and general) Global Accounts Customer Care Home and Small Business Customer Care Corporate Customer Care Preferred Accounts (500-5000 employees) Customer Care Central Government Customer Care Local Government Customer Care Home/Small Business Sales Corporate/Public Sector Sales Website: <a href="http://support.euro.dell.com">support.euro.dell.com</a> E-mail: <a href="mailto:dell_direct_support@dell.com">dell_direct_support@dell.com</a>	0870 908 0500 0870 908 0800 01344 723186 0870 906 0010 01344 72 3185 01344 723196 01344 723193 01344 723194 0870 907 4000 01344 860456



<b>Country (City) International Access Code Country Code City Code</b>	<b>Department Name or Service Area, Website and E-mail Address</b>	<b>Area Codes, Local Numbers, and Toll Free Numbers</b>
U.S.A. (Austin, Texas)	Automated Order-Status System	toll free: 1-800-433-9014
International Access Code: 011 Country Code: 1	AutoTech (For portable and desktop computers)	toll free: 1-800-247-9362
	<b>Dell Home and Small Business Group</b> (For portable and desktop computers):	
	Customer Technical Support (Return material authorization numbers)	toll free: 1-800-624-9896
	Customer Technical Support (Home sales purchased via <a href="http://www.dell.com">http://www.dell.com</a> )	toll free: 1-877-576-3355
	Customer Service (Credit return authorization numbers)	toll free: 1-800-624-9897
	<b>National Accounts</b> (Computers purchased by established Dell national accounts [have your account number handy], medical institutions, or value-added resellers [VARs]):	
	Customer Service and Technical Support (Return material authorization numbers)	toll free: 1-800-822-8965
	<b>Public Americas International</b> (Computers purchased by governmental agencies [local, state, or federal] or educational institutions):	
	Customer Service and Technical Support (Return material authorization numbers)	toll free: 1-800-234-1490
	Dell Sales	toll free: 1-800-289-3355 or toll free: 1-800-879-3355
	Spare Parts Sales	toll free: 1-800-357-3355
	Desktop and Portable Fee-Based Technical Support	toll free: 1-800-433-9005
	Sales (Catalogs)	toll free: 1-800-426-5150
	Fax	toll free: 1-800-727-8320
	TechFax	toll free: 1-800-950-1329
	Dell Services for the Deaf, Hard-of-Hearing, or Speech-Impaired	toll free: 1-877-DELLTY (1-877-335-5889)
	Switchboard	512 338-4400
	DellNet™ Technical Support	toll free: 1-877-Dellnet (1-877-335-5638)
<b>US Virgin Islands</b>	General Support	1-877-673-3355
<b>Venezuela</b>	General Support	8001-3605

## Returning Items for Warranty Repair or Credit

Prepare all items being returned, whether for repair or credit, as follows:

- 1 Call Dell to obtain an authorization number, and write it clearly and prominently on the outside of the box.
- 2 Include a copy of the invoice and a letter describing the reason for the return.
- 3 Include any accessories that belong with the item(s) being returned (power cables, CDs, guides, and so on) if the return is for credit.
- 4 Pack the equipment to be returned in the original (or equivalent) packing materials.

You are responsible for paying shipping expenses. You are also responsible for insuring any product returned, and you assume the risk of loss during shipment to Dell. Collect-on-delivery packages are not accepted.

Returns that are missing any of the preceding requirements will be refused at our receiving dock and returned to you.

## Regulatory Information

Electromagnetic Interference (EMI) is any signal or emission, radiated in free space or conducted along power or signal leads, that endangers the functioning of a radio navigation or other safety service or seriously degrades, obstructs, or repeatedly interrupts a licensed radio communications service. Radio communications services include but are not limited to AM/FM commercial broadcast, television, cellular services, radar, air-traffic control, pager, and Personal Communication Services (PCS). These licensed services, along with unintentional radiators such as digital devices, including computers, contribute to the electromagnetic environment.

Electromagnetic Compatibility (EMC) is the ability of items of electronic equipment to function properly together in the electronic environment. While this computer has been designed and determined to be compliant with regulatory agency limits for EMI, there is no guarantee that interference will not occur in a particular installation. If this equipment does cause interference with radio communications services, which can be determined by turning the equipment off and on, you are encouraged to try to correct the interference by one or more of the following measures:

- Reorient the receiving antenna.
- Relocate the computer with respect to the receiver.
- Move the computer away from the receiver.
- Plug the computer into a different outlet so that the computer and the receiver are on different branch circuits.

If necessary, consult a Dell Technical Support representative or an experienced radio/television technician for additional suggestions.

Dell computers are designed, tested, and classified for their intended electromagnetic environment. These electromagnetic environment classifications generally refer to the following harmonized definitions:

- Class A is typically for business or industrial environments.
- Class B is typically for residential environments.

Information Technology Equipment (ITE), including devices, expansion cards, printers, input/output (I/O) devices, monitors, and so on, that are integrated into or connected to the computer should match the electromagnetic environment classification of the computer.

**A Notice About Shielded Signal Cables:** Use only shielded cables for connecting devices to any Dell device to reduce the possibility of interference with radio communications services. Using shielded cables ensures that you maintain the appropriate EMC classification for the intended environment. For parallel printers, a cable is available from Dell. If you prefer, you can order a cable from Dell on the World Wide Web at <http://accessories.us.dell.com>.

Most Dell computers are classified for Class B environments. However, the inclusion of certain options can change the rating of some configurations to Class A. To determine the electromagnetic classification for your computer or device, refer to the following sections specific for each regulatory agency. Each section provides country-specific EMC/EMI or product safety information.

Additional regulatory information regarding your computer can be found in the *Tell Me How* help file. To access the *Tell Me How* help file, see page 28.

### **FCC Notices (U.S. Only)**

Most Dell computers are classified by the Federal Communications Commission (FCC) as Class B digital devices. To determine which classification applies to your computer, examine all FCC registration labels located on the bottom or back panel of your computer, on card-mounting brackets, and on the cards themselves. If any one of the labels carries a Class A rating, your entire computer is considered to be a Class A digital device. If all labels carry an FCC Class B rating as distinguished by either an FCC ID number or the FCC logo, (**FC**), your computer is considered to be a Class B digital device.

Once you have determined your computer's FCC classification, read the appropriate FCC notice. Note that FCC regulations provide that changes or modifications not expressly approved by Dell could void your authority to operate this equipment.

This device complies with Part 15 of the FCC Rules. Operation is subject to the following two conditions:

- This device may not cause harmful interference.
- This device must accept any interference received, including interference that may cause undesired operation.

**Class A**

This equipment has been tested and found to comply with the limits for a Class A digital device pursuant to Part 15 of the FCC Rules. These limits are designed to provide reasonable protection against harmful interference when the equipment is operated in a commercial environment. This equipment generates, uses, and can radiate radio frequency energy and, if not installed and used in accordance with the manufacturer's instruction manual, may cause harmful interference with radio communications. Operation of this equipment in a residential area is likely to cause harmful interference, in which case you will be required to correct the interference at your own expense.

**Class B**

This equipment has been tested and found to comply with the limits for a Class B digital device pursuant to Part 15 of the FCC Rules. These limits are designed to provide reasonable protection against harmful interference in a residential installation. This equipment generates, uses, and can radiate radio frequency energy and, if not installed and used in accordance with the manufacturer's instruction manual, may cause interference with radio communications. However, there is no guarantee that interference will not occur in a particular installation. If this equipment does cause harmful interference to radio or television reception, which can be determined by turning the equipment off and on, you are encouraged to try to correct the interference by one or more of the following measures:

- Reorient or relocate the receiving antenna.
- Increase the separation between the equipment and the receiver.
- Connect the equipment into an outlet on a circuit different from that to which the receiver is connected.
- Consult the dealer or an experienced radio/television technician for help.



The following information is provided on the device or devices covered in this document in compliance with FCC regulations:

- Model number: DHS
- Company name:

Dell Computer Corporation  
One Dell Way  
Round Rock, Texas 78682 USA

### **Battery Disposal**

Your computer uses a lithium-ion battery. The lithium-ion battery is a long-life battery, and it is very possible that you will never need to replace it. However, should you need to replace it, see page 81.

Do not dispose of the battery along with household waste. Contact your local waste disposal agency for the address of the nearest battery deposit site.

## **NOM Information (Mexico Only)**

The following information is provided on the device(s) described in this document in compliance with the requirements of the official Mexican standards (NOM):

Exporter:	Dell One Dell Way Round Rock, TX 78682
Importer:	Dell Computer de México, S.A. de C.V. Paseo de la Reforma 2620 - 11° Piso Col. Lomas Altas 11950 México, D.F.
Ship to:	Dell Computer de México, S.A. de C.V. al Cuidado de Kuehne & Nagel de México S. de R.I. Avenida Soles No. 55 Col. Peñon de los Baños 15520 México, D.F.
Supply voltage:	115/230 VAC
Frequency:	60/50 Hz
Current consumption:	2.0/1.0 A

### Información para NOM (únicamente para México)

La información siguiente se proporciona en el dispositivo o en los dispositivos descritos en este documento, en cumplimiento con los requisitos de la Norma Oficial Mexicana (NOM):

Exportador:	Dell One Dell Way Round Rock, TX 78682
Importador:	Dell Computer de México, S.A. de C.V. Paseo de la Reforma 2620 - 11° Piso Col. Lomas Altas 11950 México, D.F.
Embarcar a:	Dell Computer de México, S.A. de C.V. al Cuidado de Kuehne & Nagel de México S. de R.I. Avenida Soles No. 55 Col. Peñon de los Baños 15520 México, D.F.
Tensión alimentación:	115/230 VAC
Frecuencia:	60/50 Hz
Consumo de corriente:	2.0/1.0 A



## Limited Warranties and Return Policy

Dell-branded hardware products purchased in the U.S. or Canada come with either a one-year limited warranty, a two-year limited warranty, or a three-year limited warranty, or a four-year limited warranty (U.S. only). To determine which warranty you purchased, see the Dell invoice that accompanied your computer. The following sections describe these limited warranties, the manufacturer guarantee for Latin America and the Caribbean, and the return policy for the U.S. and Canada.

### One-Year Limited Warranty (U.S. Only)

Dell Computer Corporation ("Dell") manufactures its hardware products from parts and components that are new or equivalent to new in accordance with industry-standard practices. Dell warrants that the hardware products it manufactures will be free from defects in materials and workmanship. The limited warranty term is one year beginning on the date of invoice, as further described in the following text.

Damage due to shipping the products to you is covered under this limited warranty. Otherwise, this limited warranty does not cover damage due to external causes, including accident, abuse, misuse, problems with electrical power, servicing not authorized by Dell, usage not in accordance with product instructions, failure to perform required preventive maintenance, and problems caused by use of parts and components not supplied by Dell.

This limited warranty does not cover any items that are in one or more of the following categories: software; external devices (except as specifically noted); accessories or parts added to a Dell system after the system is shipped from Dell; accessories or parts added to a Dell system through Dell's system integration department; accessories or parts that are not installed in the Dell factory; or Dell Software & Peripherals products. Monitors, keyboards, and mice that are Dell-branded or that are included on Dell's standard price list are covered under this limited warranty; all other monitors, keyboards, and mice (including those sold through the Dell Software & Peripherals program) are not covered.

Dell will repair or replace products covered under this limited warranty that are returned to Dell's facility. To request warranty service, you must contact Dell's Customer Technical Support within the limited warranty period. See "Contacting Dell" on page 84 to find the appropriate contact information for obtaining customer assistance. If warranty service is required, Dell will issue a Return Material Authorization Number. You must ship the products back to Dell in their original or equivalent packaging, prepay shipping charges, and insure the shipment or accept the risk of loss or damage during shipment. Dell will ship the repaired or replacement products to you (freight prepaid) if you use an address in the continental U.S., where applicable. Shipments to other locations will be made freight collect.

**NOTE:** Before you ship the product(s) to Dell, back up the data on the hard drive(s) and any other storage device(s) in the product(s). Remove any removable media, such as floppy disks, CDs, or PC Cards. Dell does not accept liability for lost data or software.

Dell owns all parts removed from repaired products. Dell uses new and reconditioned parts made by various manufacturers in performing warranty repairs and building replacement products. If Dell repairs or replaces a product, its warranty term is not extended.

THIS LIMITED WARRANTY GIVES YOU SPECIFIC LEGAL RIGHTS, AND YOU MAY ALSO HAVE OTHER RIGHTS, WHICH VARY FROM STATE TO STATE (OR JURISDICTION TO JURISDICTION). DELL'S RESPONSIBILITY FOR MALFUNCTIONS AND DEFECTS IN HARDWARE IS LIMITED TO REPAIR AND REPLACEMENT AS SET FORTH IN THIS LIMITED WARRANTY STATEMENT. ALL EXPRESS AND IMPLIED WARRANTIES FOR THE PRODUCT, INCLUDING BUT NOT LIMITED TO ANY IMPLIED WARRANTIES OF AND CONDITIONS OF MERCHANTABILITY AND FITNESS FOR A PARTICULAR PURPOSE, ARE LIMITED IN DURATION TO THE WARRANTY PERIOD SET FORTH ABOVE AND NO WARRANTIES, WHETHER EXPRESS OR IMPLIED, WILL APPLY AFTER SUCH PERIOD.

SOME STATES (OR JURISDICTIONS) DO NOT ALLOW LIMITATIONS ON HOW LONG AN IMPLIED WARRANTY LASTS, SO THE PRECEDING LIMITATION MAY NOT APPLY TO YOU.

DELL DOES NOT ACCEPT LIABILITY BEYOND THE REMEDIES SET FORTH IN THIS LIMITED WARRANTY STATEMENT OR LIABILITY FOR INCIDENTAL OR CONSEQUENTIAL DAMAGES, INCLUDING WITHOUT LIMITATION ANY LIABILITY FOR PRODUCTS NOT BEING AVAILABLE FOR USE OR FOR LOST DATA OR SOFTWARE.

SOME STATES (OR JURISDICTIONS) DO NOT ALLOW THE EXCLUSION OR LIMITATION OF INCIDENTAL OR CONSEQUENTIAL DAMAGES, SO THE PRECEDING EXCLUSION OR LIMITATION MAY NOT APPLY TO YOU.

These provisions apply to Dell's one-year limited warranty only. For provisions of any service contract covering your system, refer to your invoice or the separate service contract that you will receive.

If Dell elects to exchange a product or portion of a product, the exchange will be made in accordance with Dell's Exchange Policy in effect on the date of the exchange. In any instance in which Dell issues a Return Material Authorization Number, Dell must receive the product(s) for repair prior to the expiration of the warranty period in order for the repair(s) to be covered by the limited warranty.

### **Two-Year Limited Warranty (U.S. Only)**

Dell Computer Corporation ("Dell") manufactures its hardware products from parts and components that are new or equivalent to new in accordance with industry-standard practices. Dell warrants that the hardware products it manufactures will be free from defects in materials and workmanship. The limited warranty term is two years beginning on the date of invoice, as further described in the following section.

Damage due to shipping the products to you is covered under this warranty. Otherwise, this limited warranty does not cover damage due to external causes, including accident, abuse, misuse, problems with electrical power, servicing not authorized by Dell, usage not in accordance with product instructions, failure to perform required preventive maintenance, and problems caused by use of parts and components not supplied by Dell.

This limited warranty does not cover any items that are in one or more of the following categories: software; external devices (except as specifically noted); accessories or parts added to a Dell system after the system is shipped from Dell; accessories or parts added to a Dell system through Dell's system integration department; accessories or parts that are not installed in the Dell factory; or Dell Software & Peripherals products. Monitors, keyboards, and mice that are Dell-branded or that are included on Dell's standard price list are covered under this warranty; all other monitors, keyboards, and mice (including those sold through the Dell Software & Peripherals program) are not covered. Batteries for portable computers are covered only during the initial one-year period of this limited warranty.

### **Limited Warranty Coverage During Year One**

During the one-year period beginning on the invoice date, Dell will repair or replace products covered under this limited warranty that are returned to Dell's facility. To request warranty service, you must contact Dell's Customer Technical Support within the warranty period. See "Contacting Dell" on page 84 to find the appropriate contact information for obtaining customer assistance. If warranty service is required, Dell will issue a Return Material Authorization Number. You must ship the products back to Dell in their original or equivalent packaging, prepay shipping charges, and insure the shipment or accept the risk of loss or damage during shipment. Dell will ship the repaired or replacement products to you freight prepaid if you use an address in the continental U.S., where applicable. Shipments to other locations will be made freight collect.

**NOTE:** Before you ship the product(s) to Dell, back up the data on the hard drive(s) and any other storage device(s) in the product(s). Remove any removable media, such as floppy disks, CDs, or PC Cards. Dell does not accept liability for lost data or software.

Dell owns all parts removed from repaired products. Dell uses new and reconditioned parts made by various manufacturers in performing warranty repairs and building replacement products. If Dell repairs or replaces a product, its warranty term is not extended.

### **Limited Warranty Coverage During Year Two**

During the second year of this limited warranty, Dell will provide, on an exchange basis and subject to Dell's Exchange Policy in effect on the date of the exchange, replacement parts for the Dell hardware product(s) covered under this limited warranty when a part requires replacement. You must report each instance of hardware failure to Dell's Customer Technical Support in advance to obtain Dell's concurrence that a part should be replaced and to have Dell ship the replacement part. Dell will ship parts (freight prepaid) if you use an address in the continental U.S., where applicable. Shipments to other locations, where applicable, will be made freight collect. Dell will include a prepaid shipping container with each replacement part for your use in returning the replaced part to Dell. Replacement parts are new or reconditioned. Dell may provide replacement parts made by various manufacturers when supplying parts to you. The warranty term for a replacement part is the remainder of the limited warranty term.

You will pay Dell for replacement parts if the replaced part is not returned to Dell. The process for returning replaced parts, and your obligation to pay for replacement parts if you do not return the replaced parts to Dell, will be in accordance with Dell's Exchange Policy in effect on the date of the exchange.

You accept full responsibility for your software and data. Dell is not required to advise or remind you of appropriate backup and other procedures.



**General Provisions**

THIS LIMITED WARRANTY GIVES YOU SPECIFIC LEGAL RIGHTS, AND YOU MAY ALSO HAVE OTHER RIGHTS, WHICH VARY FROM STATE TO STATE (OR JURISDICTION TO JURISDICTION). DELL'S RESPONSIBILITY FOR MALFUNCTIONS AND DEFECTS IN HARDWARE IS LIMITED TO REPAIR AND REPLACEMENT AS SET FORTH IN THIS LIMITED WARRANTY STATEMENT. ALL EXPRESS AND IMPLIED WARRANTIES FOR THE PRODUCT, INCLUDING BUT NOT LIMITED TO ANY IMPLIED WARRANTIES OF AND CONDITIONS OF MERCHANTABILITY AND FITNESS FOR A PARTICULAR PURPOSE, ARE LIMITED IN DURATION TO THE WARRANTY PERIOD SET FORTH ABOVE AND NO WARRANTIES, WHETHER EXPRESS OR IMPLIED, WILL APPLY AFTER SUCH PERIOD. SOME STATES (OR JURISDICTIONS) DO NOT ALLOW LIMITATIONS ON HOW LONG AN IMPLIED WARRANTY LASTS, SO THE PRECEDING LIMITATION MAY NOT APPLY TO YOU.

DELL DOES NOT ACCEPT LIABILITY BEYOND THE REMEDIES SET FORTH IN THIS LIMITED WARRANTY STATEMENT OR LIABILITY FOR INCIDENTAL OR CONSEQUENTIAL DAMAGES, INCLUDING WITHOUT LIMITATION ANY LIABILITY FOR PRODUCTS NOT BEING AVAILABLE FOR USE OR FOR LOST DATA OR SOFTWARE. SOME STATES (OR JURISDICTIONS) DO NOT ALLOW THE EXCLUSION OR LIMITATION OF INCIDENTAL OR CONSEQUENTIAL DAMAGES, SO THE PRECEDING EXCLUSION OR LIMITATION MAY NOT APPLY TO YOU.

These provisions apply to Dell's two-year limited warranty only. For provisions of any service contract covering your system, refer to your invoice or the separate service contract that you will receive.

If Dell elects to exchange a system or component, the exchange will be made in accordance with Dell's Exchange Policy in effect on the date of the exchange. In any instance in which Dell issues a Return Material Authorization Number, Dell must receive the product(s) for repair prior to the expiration of the warranty period in order for the repair(s) to be covered by the limited warranty.

### **Three-Year Limited Warranty (U.S. Only)**

Dell Computer Corporation ("Dell") manufactures its hardware products from parts and components that are new or equivalent to new in accordance with industry-standard practices. Dell warrants that the hardware products it manufactures will be free from defects in materials and workmanship.

The limited warranty term is three years beginning on the date of invoice, as described in the following text.

Damage due to shipping the products to you is covered under this limited warranty. Otherwise, this limited warranty does not cover damage due to external causes, including accident, abuse, misuse, problems with electrical power, servicing not authorized by Dell, usage not in accordance with product instructions, failure to perform required preventive maintenance, and problems caused by use of parts and components not supplied by Dell.

This limited warranty does not cover any items that are in one or more of the following categories: software; external devices (except as specifically noted); accessories or parts added to a Dell system after the system is shipped from Dell; accessories or parts added to a Dell system through Dell's system integration department; accessories or parts that are not installed in the Dell factory; or Dell Software & Peripherals products. Monitors, keyboards, and mice that are Dell-branded or that are included on Dell's standard price list are covered under this limited warranty; all other monitors, keyboards, and mice (including those sold through the Dell Software & Peripherals program) are not covered. Batteries for portable computers are covered only during the initial one-year period of this limited warranty.



### Limited Warranty Coverage During Year One

During the one-year period beginning on the invoice date, Dell will repair or replace products covered under this limited warranty that are returned to Dell's facility. To request warranty service, you must contact Dell's Customer Technical Support within the warranty period. See "Contacting Dell" on page 84 to find the appropriate contact information for obtaining customer assistance. If warranty service is required, Dell will issue a Return Material Authorization Number. You must ship the products back to Dell in their original or equivalent packaging, prepay shipping charges, and insure the shipment or accept the risk of loss or damage during shipment. Dell will ship the repaired or replacement products to you freight prepaid if you use an address in the continental U.S., where applicable. Shipments to other locations will be made freight collect.

**NOTE:** Before you ship the product(s) to Dell, back up the data on the hard drive(s) and any other storage device(s) in the product(s). Remove any removable media, such as floppy disks, CDs, or PC Cards. Dell does not accept liability for lost data or software.

Dell owns all parts removed from repaired products. Dell uses new and reconditioned parts made by various manufacturers in performing warranty repairs and building replacement products. If Dell repairs or replaces a product, its warranty term is not extended.

### Limited Warranty Coverage During Years Two and Three

During the second and third years of this limited warranty, Dell will provide, on an exchange basis and subject to Dell's Exchange Policy in effect on the date of the exchange, replacement parts for the Dell hardware product(s) covered under this limited warranty when a part requires replacement. You must report each instance of hardware failure to Dell's Customer Technical Support in advance to obtain Dell's concurrence that a part should be replaced and to have Dell ship the replacement part. Dell will ship parts (freight prepaid) if you use an address in the continental U.S., where applicable. Shipments to other locations will be made freight collect. Dell will include a prepaid shipping container with each replacement part for your use in returning the replaced part to Dell. Replacement parts are new or reconditioned. Dell may provide replacement parts made by various manufacturers when supplying parts to you. The warranty term for a replacement part is the remainder of the limited warranty term.



You will pay Dell for replacement parts if the replaced part is not returned to Dell. The process for returning replaced parts, and your obligation to pay for replacement parts if you do not return the replaced parts to Dell, will be in accordance with Dell's Exchange Policy in effect on the date of the exchange.

You accept full responsibility for your software and data. Dell is not required to advise or remind you of appropriate backup and other procedures.

### **General Provisions**

THIS LIMITED WARRANTY GIVES YOU SPECIFIC LEGAL RIGHTS, AND YOU MAY ALSO HAVE OTHER RIGHTS, WHICH VARY FROM STATE TO STATE (OR JURISDICTION TO JURISDICTION). DELL'S RESPONSIBILITY FOR MALFUNCTIONS AND DEFECTS IN HARDWARE IS LIMITED TO REPAIR AND REPLACEMENT AS SET FORTH IN THIS LIMITED WARRANTY STATEMENT. ALL EXPRESS AND IMPLIED WARRANTIES FOR THE PRODUCT, INCLUDING BUT NOT LIMITED TO ANY IMPLIED WARRANTIES OF AND CONDITIONS OF MERCHANTABILITY AND FITNESS FOR A PARTICULAR PURPOSE, ARE LIMITED IN DURATION TO THE WARRANTY PERIOD SET FORTH ABOVE AND NO WARRANTIES, WHETHER EXPRESS OR IMPLIED, WILL APPLY AFTER SUCH PERIOD.

SOME STATES (OR JURISDICTIONS) DO NOT ALLOW LIMITATIONS ON HOW LONG AN IMPLIED WARRANTY LASTS, SO THE PRECEDING LIMITATION MAY NOT APPLY TO YOU.

DELL DOES NOT ACCEPT LIABILITY BEYOND THE REMEDIES SET FORTH IN THIS LIMITED WARRANTY STATEMENT OR LIABILITY FOR INCIDENTAL OR CONSEQUENTIAL DAMAGES, INCLUDING WITHOUT LIMITATION ANY LIABILITY FOR PRODUCTS NOT BEING AVAILABLE FOR USE OR FOR LOST DATA OR SOFTWARE.

SOME STATES (OR JURISDICTIONS) DO NOT ALLOW THE EXCLUSION OR LIMITATION OF INCIDENTAL OR CONSEQUENTIAL DAMAGES, SO THE PRECEDING EXCLUSION OR LIMITATION MAY NOT APPLY TO YOU.



These provisions apply to Dell's three-year limited warranty only. For provisions of any service contract covering your system, refer to your invoice or the separate service contract that you will receive.

If Dell elects to exchange a system or component, the exchange will be made in accordance with Dell's Exchange Policy in effect on the date of the exchange. In any instance in which Dell issues a Return Material Authorization Number, Dell must receive the product(s) for repair prior to the expiration of the warranty period in order for the repair(s) to be covered by the limited warranty.

### **Four-Year Limited Warranty (U.S. Only)**

Dell Computer Corporation ("Dell") manufactures its hardware products from parts and components that are new or equivalent to new in accordance with industry-standard practices. Dell warrants that the hardware products it manufactures will be free from defects in materials and workmanship. The limited warranty term is four years beginning on the date of invoice, as further described in the following text.

Damage due to shipping the products to you is covered under this limited warranty. Otherwise, this limited warranty does not cover damage due to external causes, including accident, abuse, misuse, problems with electrical power, servicing not authorized by Dell, usage not in accordance with product instructions, failure to perform required preventive maintenance, and problems caused by use of parts and components not supplied by Dell.

This limited warranty does not cover any items that are in one or more of the following categories: software; external devices (except as specifically noted); accessories or parts added to a Dell system after the system is shipped from Dell; accessories or parts added to a Dell system through Dell's system integration department; accessories or parts that are not installed in the Dell factory; or Dell Software & Peripherals products. Monitors, keyboards, and mice that are Dell-branded or that are included on Dell's standard price list are covered under this limited warranty; all other monitors, keyboards, and mice (including those sold through the Dell Software & Peripherals program) are not covered. Batteries for portable computers are covered only during the initial one-year period of this limited warranty.

### **Limited Warranty Coverage During Year One**

During the one-year period beginning on the invoice date, Dell will repair or replace products covered under this limited warranty that are returned to Dell's facility. To request limited warranty service, you must contact Dell's Customer Technical Support within the limited warranty period. See "Contacting Dell" on page 84 to find the appropriate contact information for obtaining customer assistance. If limited warranty service is required, Dell will issue a Return Material Authorization Number. You must ship the products back to Dell in their original or equivalent packaging, prepay shipping charges, and insure the shipment or accept the risk of loss or damage during shipment. Dell will ship the repaired or replacement products to you freight prepaid if you use an address in the continental U.S., where applicable. Shipments to other locations will be made freight collect.

**NOTE:** Before you ship the product(s) to Dell, back up the data on the hard drive(s) and any other storage device(s) in the product(s). Remove any removable media, such as floppy disks, CDs, or PC Cards. Dell does not accept liability for lost data or software.

Dell owns all parts removed from repaired products. Dell uses new and reconditioned parts made by various manufacturers in performing limited warranty repairs and building replacement products. If Dell repairs or replaces a product, its limited warranty term is not extended.

### **Limited Warranty Coverage During Years Two, Three, and Four**

During the second, third, and fourth years of this limited warranty, Dell will provide, on an exchange basis and subject to Dell's Exchange Policy in effect on the date of the exchange, replacement parts for the Dell hardware product(s) covered under this limited warranty when a part requires replacement. You must report each instance of hardware failure to Dell's Customer Technical Support in advance to obtain Dell's concurrence that a part should be replaced and to have Dell ship the replacement part. Dell will ship parts (freight prepaid) if you use an address in the continental U.S., where applicable. Shipments to other locations will be made freight collect. Dell will include a prepaid shipping container with each replacement part for your use in returning the replaced part to Dell. Replacement parts are new or reconditioned. Dell may provide replacement parts made by various manufacturers when supplying parts to you. The limited warranty term for a replacement part is the remainder of the limited warranty term.

You will pay Dell for replacement parts when the replaced part is not returned to Dell. The process for returning replaced parts, and your obligation to pay for replacement parts if you do not return the replaced parts to Dell, will be in accordance with Dell's Exchange Policy in effect on the date of the exchange.

You accept full responsibility for your software and data. Dell is not required to advise or remind you of appropriate backup and other procedures.

### **General Provisions**

THIS LIMITED WARRANTY GIVES YOU SPECIFIC LEGAL RIGHTS, AND YOU MAY ALSO HAVE OTHER RIGHTS, WHICH VARY FROM STATE TO STATE (OR JURISDICTION TO JURISDICTION). DELL'S RESPONSIBILITY FOR MALFUNCTIONS AND DEFECTS IN HARDWARE IS LIMITED TO REPAIR AND REPLACEMENT AS SET FORTH IN THIS LIMITED WARRANTY STATEMENT. ALL EXPRESS AND IMPLIED WARRANTIES FOR THE PRODUCT, INCLUDING BUT NOT LIMITED TO ANY IMPLIED WARRANTIES OF AND CONDITIONS OF MERCHANTABILITY AND FITNESS FOR A PARTICULAR PURPOSE, ARE LIMITED IN DURATION TO THE LIMITED WARRANTY PERIOD SET FORTH ABOVE AND NO WARRANTIES, WHETHER EXPRESS OR IMPLIED, WILL APPLY AFTER SUCH PERIOD. SOME STATES (OR JURISDICTIONS) DO NOT ALLOW LIMITATIONS ON HOW LONG AN IMPLIED WARRANTY LASTS, SO THE PRECEDING LIMITATION MAY NOT APPLY TO YOU.

DELL DOES NOT ACCEPT LIABILITY BEYOND THE REMEDIES SET FORTH IN THIS LIMITED WARRANTY STATEMENT OR LIABILITY FOR INCIDENTAL OR CONSEQUENTIAL DAMAGES, INCLUDING WITHOUT LIMITATION ANY LIABILITY FOR PRODUCTS NOT BEING AVAILABLE FOR USE OR FOR LOST DATA OR SOFTWARE. SOME STATES (OR JURISDICTIONS) DO NOT ALLOW THE EXCLUSION OR LIMITATION OF INCIDENTAL OR CONSEQUENTIAL DAMAGES, SO THE PRECEDING EXCLUSION OR LIMITATION MAY NOT APPLY TO YOU.

If Dell elects to exchange a system or component, the exchange will be made accordance with Dell's Exchange Policy in effect on the date of the exchange. In any instance in which Dell issues a Return Material Authorization Number, Dell must receive the product(s) for repair prior to the expiration of the limited warranty period in order for the repairs to be covered by the limited warranty.

These provisions apply to Dell's four-year limited warranty only. For provisions of any on-site service contract covering your system, refer to the separate on-site service contract that you will receive.

### **One-Year Limited Warranty (Canada Only)**

Dell Computer Corporation ("Dell") manufactures its hardware products from parts and components that are new or equivalent to new in accordance with industry-standard practices. Dell warrants that the hardware products it manufactures will be free from defects in materials and workmanship. The limited warranty term is one year beginning on the date of invoice, as further described in the following text.

Damage due to shipping the products to you is covered under this limited warranty. Otherwise, this limited warranty does not cover damage due to external causes, including accident, abuse, misuse, problems with electrical power, servicing not authorized by Dell, usage not in accordance with product instructions, failure to perform required preventive maintenance, and problems caused by use of parts and components not supplied by Dell.

This limited warranty does not cover any items that are in one or more of the following categories: software; external devices (except as specifically noted); accessories or parts added to a Dell system after the system is shipped from Dell; accessories or parts added to a Dell system through Dell's system integration department; accessories or parts that are not installed in the Dell factory; or Dell Software & Peripherals products. Monitors, keyboards, and mice that are Dell-branded or that are included on Dell's standard price list are covered under this limited warranty; all other monitors, keyboards, and mice (including those sold through the Dell Software & Peripherals program) are not covered.

Dell will repair or replace products covered under this limited warranty that are returned to Dell's facility. To request warranty service, you must contact Dell's Customer Technical Support within the warranty period. See "Contacting Dell" on page 84 to find the appropriate contact information for obtaining customer assistance. If warranty service is required, Dell will issue a Return Material Authorization Number. You must ship the products back to Dell in their original or equivalent packaging, prepay shipping charges, and insure the shipment or accept the risk of loss or damage during shipment. Dell will ship the repaired or replacement products to you (freight prepaid) if you use an address in Canada, where applicable. Shipments to other locations will be made freight collect.

**NOTE:** Before you ship the product(s) to Dell, back up the data on the hard drive(s) and any other storage device(s) in the product(s). Remove any removable media, such as floppy disks, CDs, or PC Cards. Dell does not accept liability for lost data or software.

Dell owns all parts removed from repaired products. Dell uses new and reconditioned parts made by various manufacturers in performing warranty repairs and building replacement products. If Dell repairs or replaces a product, its warranty term is not extended.

DELL MAKES NO EXPRESS WARRANTIES OR CONDITIONS BEYOND THOSE STATED IN THIS LIMITED WARRANTY STATEMENT. DELL DISCLAIMS ALL OTHER WARRANTIES AND CONDITIONS, EXPRESS OR IMPLIED, INCLUDING WITHOUT LIMITATION IMPLIED WARRANTIES AND CONDITIONS OF MERCHANTABILITY AND FITNESS FOR A PARTICULAR PURPOSE. SOME STATES (OR JURISDICTIONS) DO NOT ALLOW LIMITATIONS ON IMPLIED WARRANTIES OR CONDITIONS, SO THIS LIMITATION MAY NOT APPLY TO YOU.

DELL'S RESPONSIBILITY FOR MALFUNCTIONS AND DEFECTS IN HARDWARE IS LIMITED TO REPAIR AND REPLACEMENT AS SET FORTH IN THIS LIMITED WARRANTY STATEMENT. THESE WARRANTIES GIVE YOU SPECIFIC LEGAL RIGHTS, AND YOU MAY ALSO HAVE OTHER RIGHTS, WHICH VARY FROM STATE TO STATE (OR JURISDICTION TO JURISDICTION).

DELL DOES NOT ACCEPT LIABILITY BEYOND THE REMEDIES SET FORTH IN THIS LIMITED WARRANTY STATEMENT OR LIABILITY FOR INCIDENTAL OR CONSEQUENTIAL DAMAGES, INCLUDING WITHOUT LIMITATION ANY LIABILITY FOR PRODUCTS NOT BEING AVAILABLE FOR USE OR FOR LOST DATA OR SOFTWARE.

SOME STATES (OR JURISDICTIONS) DO NOT ALLOW THE EXCLUSION OR LIMITATION OF INCIDENTAL OR CONSEQUENTIAL DAMAGES, SO THE PRECEDING EXCLUSION OR LIMITATION MAY NOT APPLY TO YOU.

These provisions apply to Dell's one-year limited warranty only. For provisions of any service contract covering your system, refer to your invoice or the separate service contract that you will receive.

If Dell elects to exchange a product or portion of a product, the exchange will be made in accordance with Dell's Exchange Policy in effect on the date of the exchange. In any instance in which Dell issues a Return Material Authorization Number, Dell must receive the product(s) for repair prior to the expiration of the warranty period in order for the repair(s) to be covered by the limited warranty.

### **Two-Year Limited Warranty (Canada Only)**

Dell Computer Corporation ("Dell") manufactures its hardware products from parts and components that are new or equivalent to new in accordance with industry-standard practices. Dell warrants that the hardware products it manufactures will be free from defects in materials and workmanship. The warranty term is two years beginning on the date of invoice, as described in the following text.

Damage due to shipping the products to you is covered under this limited warranty. Otherwise, this limited warranty does not cover damage due to external causes, including accident, abuse, misuse, problems with electrical power, servicing not authorized by Dell, usage not in accordance with product instructions, failure to perform required preventive maintenance, and problems caused by use of parts and components not supplied by Dell.

This limited warranty does not cover any items that are in one or more of the following categories: software; external devices (except as specifically noted); accessories or parts added to a Dell system after the system is shipped from Dell; accessories or parts added to a Dell system through Dell's system integration department; accessories or parts that are not installed in the Dell factory; or Dell Software & Peripherals products. Monitors, keyboards, and mice that are Dell-branded or that are included on Dell's standard price list are covered under this limited warranty; all other monitors, keyboards, and mice (including those sold through the Dell Software & Peripherals program) are not covered. Batteries for portable computers are covered only during the initial one-year period of this limited warranty.

### **Coverage During Year One**

During the one-year period beginning on the invoice date, Dell will repair or replace products covered under this limited warranty that are returned to Dell's facility. To request warranty service, you must contact Dell's Customer Technical Support within the warranty period. See "Contacting Dell" on page 84 to find the appropriate contact information for obtaining customer assistance. If warranty service is required, Dell will issue a Return Material Authorization Number. You must ship the products back to Dell in their original or equivalent packaging, prepay shipping charges, and insure the shipment or accept the risk of loss or damage during shipment. Dell will ship the repaired or replacement products to you freight prepaid if you use an address in Canada, where applicable. Shipments to other locations will be made freight collect.

**NOTE:** Before you ship the product(s) to Dell, back up the data on the hard drive(s) and any other storage device(s) in the product(s). Remove any removable media, such as floppy disks, CDs, or PC Cards. Dell does not accept liability for lost data or software.

Dell owns all parts removed from repaired products. Dell uses new and reconditioned parts made by various manufacturers in performing warranty repairs and building replacement products. If Dell repairs or replaces a product, its warranty term is not extended.



### **Coverage During Year Two**

During the second year of this limited warranty, Dell will provide, on an exchange basis and subject to Dell's Exchange Policy in effect on the date of the exchange, replacement parts for the Dell hardware product(s) covered under this limited warranty when a part requires replacement. You must report each instance of hardware failure to Dell's Customer Technical Support in advance to obtain Dell's concurrence that a part should be replaced and to have Dell ship the replacement part. Dell will ship parts (freight prepaid) if you use an address in Canada, where applicable. Shipments to other locations will be made freight collect. Dell will include a prepaid shipping container with each replacement part for your use in returning the replaced part to Dell. Replacement parts are new or reconditioned. Dell may provide replacement parts made by various manufacturers when supplying parts to you. The warranty term for a replacement part is the remainder of the limited warranty term.

You will pay Dell for replacement parts if the replaced part is not returned to Dell. The process for returning replaced parts, and your obligation to pay for replacement parts if you do not return the replaced parts to Dell, will be in accordance with Dell's Exchange Policy in effect on the date of the exchange.

You accept full responsibility for your software and data. Dell is not required to advise or remind you of appropriate backup and other procedures.

### **General Provisions**

DELL MAKES NO EXPRESS WARRANTIES OR CONDITIONS BEYOND THOSE STATED IN THIS LIMITED WARRANTY STATEMENT. DELL DISCLAIMS ALL OTHER WARRANTIES AND CONDITIONS, EXPRESS OR IMPLIED, INCLUDING WITHOUT LIMITATION IMPLIED WARRANTIES AND CONDITIONS OF MERCHANTABILITY AND FITNESS FOR A PARTICULAR PURPOSE. SOME STATES (OR JURISDICTIONS) DO NOT ALLOW LIMITATIONS ON IMPLIED WARRANTIES OR CONDITIONS, SO THIS LIMITATION MAY NOT APPLY TO YOU.



DELL'S RESPONSIBILITY FOR MALFUNCTIONS AND DEFECTS IN HARDWARE IS LIMITED TO REPAIR AND REPLACEMENT AS SET FORTH IN THIS LIMITED WARRANTY STATEMENT. THESE WARRANTIES GIVE YOU SPECIFIC LEGAL RIGHTS, AND YOU MAY ALSO HAVE OTHER RIGHTS, WHICH VARY FROM STATE TO STATE (OR JURISDICTION TO JURISDICTION).

DELL DOES NOT ACCEPT LIABILITY BEYOND THE REMEDIES SET FORTH IN THIS LIMITED WARRANTY STATEMENT OR LIABILITY FOR INCIDENTAL OR CONSEQUENTIAL DAMAGES, INCLUDING WITHOUT LIMITATION ANY LIABILITY FOR PRODUCTS NOT BEING AVAILABLE FOR USE OR FOR LOST DATA OR SOFTWARE.

SOME STATES (OR JURISDICTIONS) DO NOT ALLOW THE EXCLUSION OR LIMITATION OF INCIDENTAL OR CONSEQUENTIAL DAMAGES, SO THE PRECEDING EXCLUSION OR LIMITATION MAY NOT APPLY TO YOU.

These provisions apply to Dell's two-year limited warranty only. For provisions of any service contract covering your system, refer to your invoice or the separate service contract that you will receive.

If Dell elects to exchange a system or component, the exchange will be made in accordance with Dell's Exchange Policy in effect on the date of the exchange. In any instance in which Dell issues a Return Material Authorization Number, Dell must receive the product(s) for repair prior to the expiration of the warranty period in order for the repair(s) to be covered by the limited warranty.

### **Three-Year Limited Warranty (Canada Only)**

Dell Computer Corporation ("Dell") manufactures its hardware products from parts and components that are new or equivalent to new in accordance with industry-standard practices. Dell warrants that the hardware products it manufactures will be free from defects in materials and workmanship. The warranty term is three years beginning on the date of invoice, as described in the following text.

Damage due to shipping the products to you is covered under this limited warranty. Otherwise, this limited warranty does not cover damage due to external causes, including accident, abuse, misuse, problems with electrical power, servicing not authorized by Dell, usage not in accordance with product instructions, failure to perform required preventive maintenance, and problems caused by use of parts and components not supplied by Dell.

This limited warranty does not cover any items that are in one or more of the following categories: software; external devices (except as specifically noted); accessories or parts added to a Dell system after the system is shipped from Dell; accessories or parts added to a Dell system through Dell's system integration department; accessories or parts that are not installed in the Dell factory; or Dell Software & Peripherals products. Monitors, keyboards, and mice that are Dell-branded or that are included on Dell's standard price list are covered under this limited warranty; all other monitors, keyboards, and mice (including those sold through the Dell Software & Peripherals program) are not covered. Batteries for portable computers are covered only during the initial one-year period of this limited warranty.

### **Coverage During Year One**

During the one-year period beginning on the invoice date, Dell will repair or replace products covered under this limited warranty that are returned to Dell's facility. To request warranty service, you must contact Dell's Customer Technical Support within the warranty period. To request warranty service, you must contact Dell's Customer Technical Support within the warranty period. See "Contacting Dell" on page 84 to find the appropriate contact information for obtaining customer assistance. If warranty service is required, Dell will issue a Return Material Authorization Number. You must ship the products back to Dell in their original or equivalent packaging, prepay shipping charges, and insure the shipment or accept the risk of loss or damage during shipment. Dell will ship the repaired or replacement products to you freight prepaid if you use an address in Canada, where applicable. Shipments to other locations will be made freight collect.

**NOTE:** Before you ship the product(s) to Dell, back up the data on the hard drive(s) and any other storage device(s) in the product(s). Remove any removable media, such as floppy disks, CDs, or PC Cards. Dell does not accept liability for lost data or software.

Dell owns all parts removed from repaired products. Dell uses new and reconditioned parts made by various manufacturers in performing warranty repairs and building replacement products. If Dell repairs or replaces a product, its warranty term is not extended.

### **Coverage During Years Two and Three**

During the second and third years of this limited warranty, Dell will provide, on an exchange basis and subject to Dell's Exchange Policy in effect on the date of the exchange, replacement parts for the Dell hardware product(s) covered under this limited warranty when a part requires replacement. You must report each instance of hardware failure to Dell's Customer Technical Support in advance to obtain Dell's concurrence that a part should be replaced and to have Dell ship the replacement part. Dell will ship parts (freight prepaid) if you use an address in Canada, where applicable. Shipments to other locations will be made freight collect. Dell will include a prepaid shipping container with each replacement part for your use in returning the replaced part to Dell. Replacement parts are new or reconditioned. Dell may provide replacement parts made by various manufacturers when supplying parts to you. The warranty term for a replacement part is the remainder of the limited warranty term.

You will pay Dell for replacement parts if the replaced part is not returned to Dell. The process for returning replaced parts, and your obligation to pay for replacement parts if you do not return the replaced parts to Dell, will be in accordance with Dell's Exchange Policy in effect on the date of the exchange.

You accept full responsibility for your software and data. Dell is not required to advise or remind you of appropriate backup and other procedures.

## **General Provisions**

DELL MAKES NO EXPRESS WARRANTIES OR CONDITIONS BEYOND THOSE STATED IN THIS LIMITED WARRANTY STATEMENT. DELL DISCLAIMS ALL OTHER WARRANTIES AND CONDITIONS, EXPRESS OR IMPLIED, INCLUDING WITHOUT LIMITATION IMPLIED WARRANTIES AND CONDITIONS OF MERCHANTABILITY AND FITNESS FOR A PARTICULAR PURPOSE. SOME STATES (OR JURISDICTIONS) DO NOT ALLOW LIMITATIONS ON IMPLIED WARRANTIES OR CONDITIONS, SO THIS LIMITATION MAY NOT APPLY TO YOU.

DELL'S RESPONSIBILITY FOR MALFUNCTIONS AND DEFECTS IN HARDWARE IS LIMITED TO REPAIR AND REPLACEMENT AS SET FORTH IN THIS LIMITED WARRANTY STATEMENT. THESE WARRANTIES GIVE YOU SPECIFIC LEGAL RIGHTS, AND YOU MAY ALSO HAVE OTHER RIGHTS, WHICH VARY FROM STATE TO STATE (OR JURISDICTION TO JURISDICTION).

DELL DOES NOT ACCEPT LIABILITY BEYOND THE REMEDIES SET FORTH IN THIS LIMITED WARRANTY STATEMENT OR LIABILITY FOR INCIDENTAL OR CONSEQUENTIAL DAMAGES, INCLUDING WITHOUT LIMITATION ANY LIABILITY FOR PRODUCTS NOT BEING AVAILABLE FOR USE OR FOR LOST DATA OR SOFTWARE.

SOME STATES (OR JURISDICTIONS) DO NOT ALLOW THE EXCLUSION OR LIMITATION OF INCIDENTAL OR CONSEQUENTIAL DAMAGES, SO THE PRECEDING EXCLUSION OR LIMITATION MAY NOT APPLY TO YOU.

These provisions apply to Dell's three-year limited warranty only. For provisions of any service contract covering your system, refer to your invoice or the separate service contract that you will receive.

If Dell elects to exchange a system or component, the exchange will be made in accordance with Dell's Exchange Policy in effect on the date of the exchange. In any instance in which Dell issues a Return Material Authorization Number, Dell must receive the product(s) for repair prior to the expiration of the warranty period in order for the repair(s) to be covered by the limited warranty.

### **"Total Satisfaction" Return Policy (U.S. and Canada Only)**

If you are an end-user customer who bought new products directly from a Dell company, you may return them to Dell within 30 days of the date of invoice for a refund or credit of the product purchase price. If you are an end-user customer who bought reconditioned or refurbished products from a Dell company, you may return them to Dell within 14 days of the date of invoice for a refund or credit of the product purchase price. In either case, the refund or credit will not include any shipping and handling charges shown on your invoice. If you are an organization that bought the products under a written agreement with Dell, the agreement may contain different terms for the return of products than specified by this policy.

To return products, you must contact Dell Customer Service to receive a Credit Return Authorization Number. See "Contacting Dell" on page 84 to find the appropriate contact information for obtaining customer assistance. To expedite the processing of your refund or credit, Dell expects you to return the products to Dell in their original packaging within five days of the date that Dell issues the Credit Return Authorization Number. You must also prepay shipping charges and insure the shipment or accept the risk of loss or damage during shipment. You may return software for refund or credit only if the sealed package containing the floppy disk(s) or CD(s) is unopened. Returned products must be in as-new condition, and all of the manuals, floppy disk(s), CD(s), power cables, and other items included with a product must be returned with it. For customers who want to return, for refund or credit only, either applications software or an operating system that has been installed by Dell, the whole system must be returned, along with any media and documentation that may have been included in the original shipment.

This "Total Satisfaction" Return Policy does not apply to Dell Software & Peripherals products, which may be returned under Dell Software & Peripherals's then-current return policy. In addition, reconditioned parts purchased through Dell Spare Parts Sales in Canada are nonreturnable.

## **One-Year End-User Manufacturer Guarantee (Latin America and the Caribbean Only)**

### **Guarantee**

Dell Computer Corporation ("Dell") warrants to the end user in accordance with the following provisions that its branded hardware products, purchased by the end user from a Dell company or an authorized Dell distributor in Latin America or the Caribbean, will be free from defects in materials, workmanship, and design affecting normal use, for a period of one year from the original purchase date. Products for which proper claims are made will, at Dell's option, be repaired or replaced at Dell's expense. Dell owns all parts removed from repaired products. Dell uses new and reconditioned parts made by various manufacturers in performing repairs and building replacement products.

### **Exclusions**

This Guarantee does not apply to defects resulting from: improper or inadequate installation, use, or maintenance; actions or modifications by unauthorized third parties or the end user; accidental or willful damage; or normal wear and tear.

### **Making a Claim**

Claims must be made in Latin America or the Caribbean by contacting the Dell point of sale within the guarantee period. The end user must always supply proof of purchase, indicating name and address of the seller, date of purchase, model and serial number, name and address of the customer, and details of symptoms and configuration at the time of malfunction, including peripherals and software used. Otherwise, Dell may refuse the guarantee claim. Upon diagnosis of a warranted defect, Dell will make arrangements and pay for ground freight and insurance to and from Dell's repair/replacement center. The end user must ensure that the defective product is available for collection properly packed in original or equally protective packaging together with the details listed above and the return number provided to the end user by Dell.

### **Limitation and Statutory Rights**

Dell makes no other warranty, guarantee or like statement other than as explicitly stated above, and this Guarantee is given in place of all other guarantees whatsoever, to the fullest extent permitted by law. In the absence of applicable legislation, this Guarantee will be the end user's sole and exclusive remedy against Dell or any of its affiliates, and neither Dell nor any of its affiliates shall be liable for loss of profit or contracts, or any other indirect or consequential loss arising from negligence, breach of contract, or howsoever.

**This Guarantee does not impair or affect mandatory statutory rights of the end user against and/or any rights resulting from other contracts concluded by the end user with Dell and/or any other seller.**

#### **Dell World Trade LP**

One Dell Way, Round Rock, TX 78682, USA

**Dell Computadores do Brasil Ltda (CNPJ No. 72.381.189/0001-10)/**

**Dell Commercial do Brasil Ltda (CNPJ No. 03 405 822/0001-40)**

Avenida Industrial Belgraf, 400

92990-000 - Eldorado do Sul – RS - Brasil

#### **Dell Computer de Chile Ltda**

Coyancura 2283, Piso 3- Of.302,

Providencia, Santiago - Chile

#### **Dell Computer de Colombia Corporation**

Carrera 7 #115-33 Oficina 603

Bogota, Colombia

#### **Dell Computer de Mexico SA de CV**

Paseo de la Reforma 2620 - 11° Piso

Col. Lomas Altas

11950 México, D.F.

11950 México, D.F.



# Index

## A

audio. *See* sound

## B

battery  
disposal, 81  
replacing, 81

BIOS, 78

## C

cards  
adding, 65  
connectors, 64

CD drive  
fixing problems, 40

CD-RW drive  
fixing problems, 41

computer  
back view, 60  
closing cover, 71  
crashes, 43  
error messages, 29  
front door, 60  
front view, 60  
internal parts, 63

opening cover, 61  
specifications, 74  
turning off, 22

conflicts  
resolving software and  
hardware  
incompatibilities, 50

contact numbers, 84

cover  
closing, 71  
opening, 61

crashes, 43

## D

Dell support policy, 82

display. *See* monitor

drivers  
reinstalling, 47

drives  
fixing problems, 39

DVD drive  
fixing problems, 40, 41

## E

e-mail  
fixing problems, 46

error messages  
start-up, 29  
Windows, 42

## F

FCC notices, 98, 100

Files and Settings Transfer  
Wizard, 21

finding solutions, 26

fixing problems  
drive, 39  
e-mail, 46  
general program, 43  
Internet connection, 45  
modem, 36  
mouse, 37  
network, 42  
power, 28  
printer, 33  
scanner, 35  
sound and speakers, 32  
start-up error messages, 29  
video and monitor, 30  
Windows error messages, 42

floppy drive  
fixing problems, 39

front door, 60

## H

- hard drive
  - fixing problems, 41
- help file
  - accessing, 28

## I

- Internet
  - fixing problems, 45
- IRQ conflicts, 50

## K

- keyboard
  - fixing problems, 38

## M

- memory
  - adding, 69
  - connectors, 64
- messages
  - start-up, 29
  - Windows, 42
- modem
  - fixing problems, 36
- monitor
  - fixing problems, 30
- motherboard. *See* system board
- mouse
  - fixing problems, 37

## N

- network
  - fixing problems, 42
  - setting up, 22
- Network Setup Wizard, 22

## O

- operating system
  - reinstallation, 57

## P

- password
  - clearing system setup, 80
- power
  - fixing problems, 28
  - turning off, 22
- printer
  - connecting, 18
  - fixing problems, 33
  - reinstalling driver, 20
  - setting up, 18
  - troubleshooting, 33
- programs
  - fixing problems, 43

## R

- RAM. *See* memory
- regulatory notices, 100
- reinstalling
  - drivers, 47
  - Windows 2000, 57

- ResourceCD, 47
- return policy, 126

## S

- safety instructions, 9
- ScanDisk, 41
- screen. *See* monitor
- settings
  - system setup program, 78
- shutdown, 22
- software
  - fixing problems, 43
  - reinstalling software, 47
- sound
  - adjusting volume, 32
  - fixing problems, 32
- speaker
  - adjusting volume, 32
  - fixing problems, 32
- specifications, 74
- system board, 64
- System Restore, 52, 55
- system setup program, 78

## T

- technical assistance
  - telephone numbers and addresses, 84
  - warranty repair or credit, 98
- Tell Me How help file
  - accessing, 28

troubleshooting, 26  
turning off the computer, 22

## V

video  
    fixing problems, 30  
video memory  
    connector, 64  
volume  
    adjusting, 32

## W

warranty information, 105  
Windows 2000  
    error messages, 42  
    Help, 28  
    printer, 34  
    reinstalling, 57  
    shutdown, 22  
Windows XP  
    device driver rollback, 49  
    Help, 28  
    printer, 34  
    reinstalling, 55  
    shutdown, 22

